

APPLICATION / DESCRIPTION

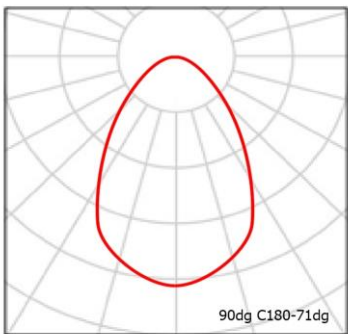
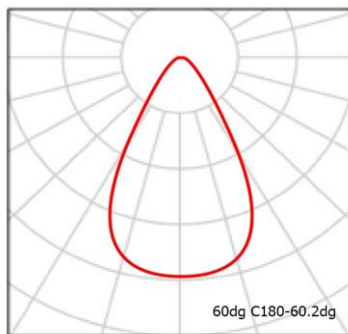
NEW DESIGN OR REPLACE OLD LAMP TO SAVING ENERGY AND LONG DURATION TIME

Specification

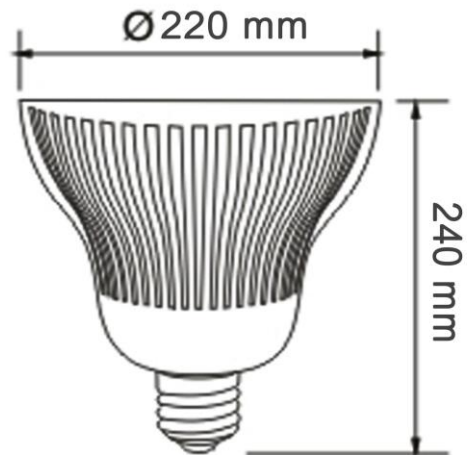
MODEL	XZ-BB
BODY MATERIAL	ALUMINIUM+PC
INPUT VOLTAGE	85-305 VAC, 50Hz
LED CHIP	SMD
POWER	100W
LUMINOUS FLUX	10,000 lm
EFFICACY	100LM/W
COLOR RENDERING INDEX	>80
LED COLOR TEMPERATURE	3,000K 4,000K 6,000K
THDi	<15%
POWER FACTOR	>0.95
WORKING TEMPERATURE	-20°C~50°C
LIGHTING SOURCE LIFE	>50,000 hrs.
BEAM ANGLE	60° / 90°
IP PROTECTION RATING	IP40
DRIVER	CE



Lighting distribution curve



Dimension of Product



BEAM ANGLE
60°

BEAM ANGLE
90°

LED LAMP
IP40

SMD

COVER
MILKY

WARRANTY
1Y

E40

LED Light source



Driver



APPLICATION / DESCRIPTION

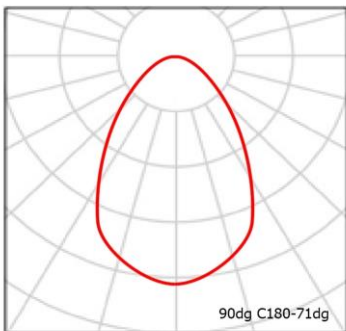
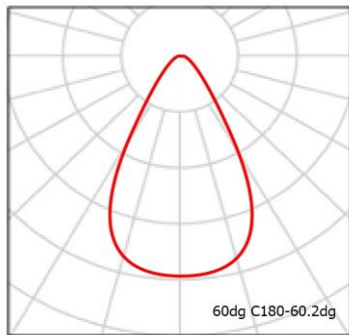
NEW DESIGN OR REPLACE OLD LAMP TO SAVING ENERGY AND LONG DURATION TIME

Specification

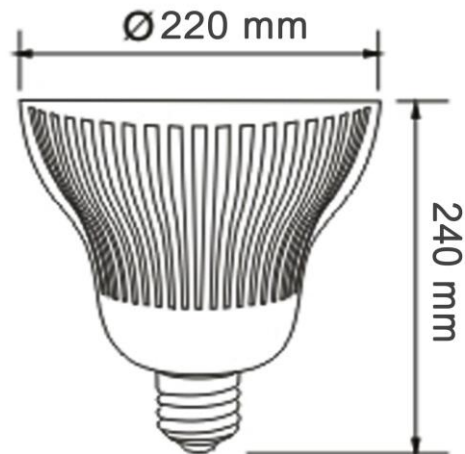
MODEL	XZ-BB
BODY MATERIAL	ALUMINIUM+PC
INPUT VOLTAGE	85-305 VAC, 50Hz
LED CHIP	SMD
POWER	150W
LUMINOUS FLUX	15,000 lm
EFFICACY	100LM/W
COLOR RENDERING INDEX	>80
LED COLOR TEMPERATURE	3,000K 4,000K 6,000K
THDi	<15%
POWER FACTOR	>0.95
WORKING TEMPERATURE	-20°C~50°C
LIGHTING SOURCE LIFE	>50,000 hrs.
BEAM ANGLE	60° / 90°
IP PROTECTION RATING	IP40
DRIVER	CE



Lighting distribution curve



Dimension of Product



BEAM ANGLE
60°

BEAM ANGLE
90°

LED LAMP
IP40

SMD

COVER
MILKY

WARRANTY
1Y

E40

LED Light source



Driver

DRIVER
CE

APPLICATION / DESCRIPTION

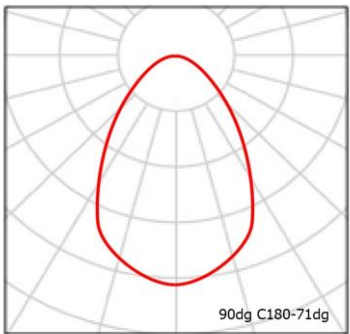
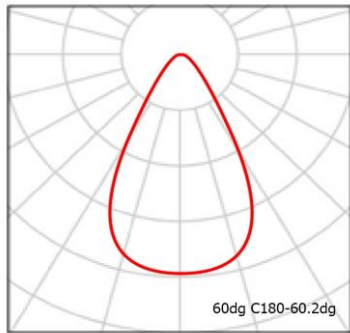
NEW DESIGN OR REPLACE OLD LAMP TO SAVING ENERGY AND LONG DURATION TIME

Specification

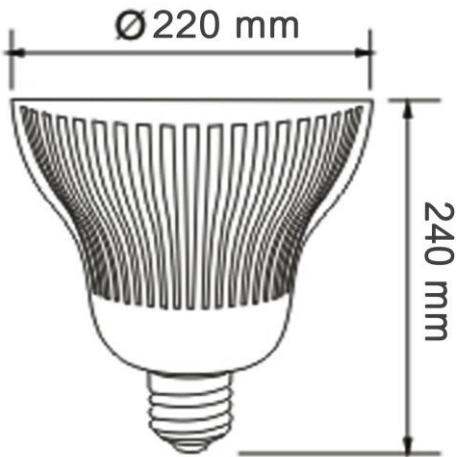
MODEL	XZ-BB
BODY MATERIAL	ALUMINIUM+PC
INPUT VOLTAGE	85-305 VAC, 50Hz
LED CHIP	SMD
POWER	200W
LUMINOUS FLUX	20,000 lm
EFFICACY	100LM/W
COLOR RENDERING INDEX	>80
LED COLOR TEMPERATURE	3,000K 4,000K 6,000K
THDi	<15%
POWER FACTOR	>0.95
WORKING TEMPERATURE	-20°C~50°C
LIGHTING SOURCE LIFE	>50,000 hrs.
BEAM ANGLE	60° / 90°
IP PROTECTION RATING	IP40
DRIVER	CE



Lighting distribution curve



Dimension of Product



BEAM ANGLE 60°	BEAM ANGLE 90°			
LED LAMP IP40	SMD	COVER MILKY	WARRANTY 1Y	E40

LED Light source



Driver

