

APPLICATION / DESCRIPTION

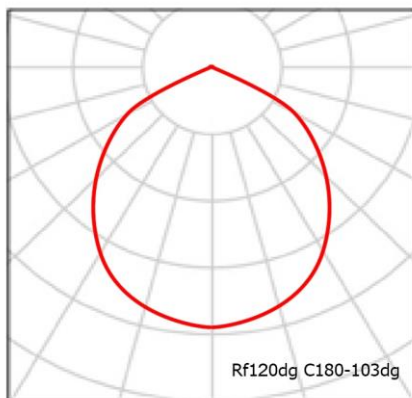
NEW DESIGN OR REPLACE OLD LAMP TO SAVING ENERGY AND LONG DURATION TIME

Specification

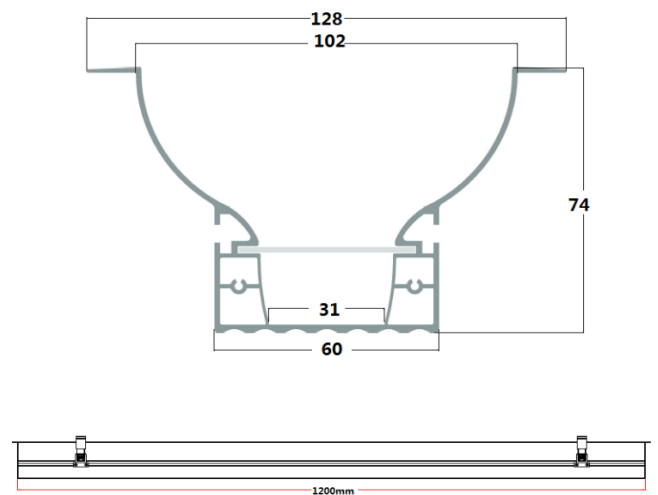
MODEL	XZ-BT
BODY MATERIAL	ALUMINIUM+PC
INPUT VOLTAGE	180-260 VAC, 50Hz
LED CHIP	SMD
POWER	20W
LUMINOUS FLUX	2,000-2,100 lm
EFFICACY	100-105LM/W
COLOR RENDERING INDEX	>70
LED COLOR TEMPERATURE	3,000K- 6,500K
THDi	<15%
POWER FACTOR	>0.9
WORKING TEMPERATURE	-10°C~45°C
LIGHTING SOURCE LIFE	>50,000 hrs.
BEAM ANGLE	120°
IP PROTECTION RATING	IP40
DRIVER	LIFUD
WEIGHT	6.3 Kg



Lighting distribution curve



Dimension of Product



LED Light source



Driver



APPLICATION / DESCRIPTION

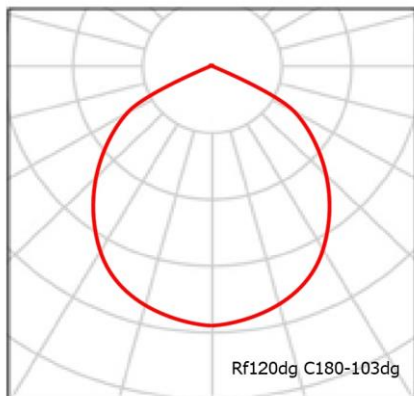
NEW DESIGN OR REPLACE OLD LAMP TO SAVING ENERGY AND LONG DURATION TIME

Specification

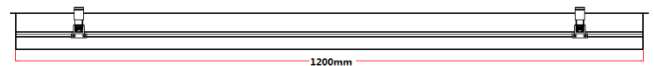
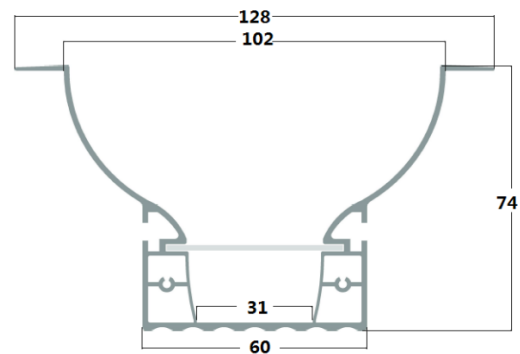
MODEL	XZ-BT
BODY MATERIAL	ALUMINIUM+PC
INPUT VOLTAGE	180-260 VAC, 50Hz
LED CHIP	SMD
POWER	40W
LUMINOUS FLUX	3,880-4,080 lm
EFFICACY	97-102LM/W
COLOR RENDERING INDEX	>70
LED COLOR TEMPERATURE	3,000K- 6,500K
THDi	<15%
POWER FACTOR	>0.9
WORKING TEMPERATURE	-10°C~45°C
LIGHTING SOURCE LIFE	>50,000 hrs.
BEAM ANGLE	120°
IP PROTECTION RATING	IP40
DRIVER	LIFUD
WEIGHT	6.3 Kg



Lighting distribution curve



Dimension of Product



LED Light source



Driver



APPLICATION / DESCRIPTION

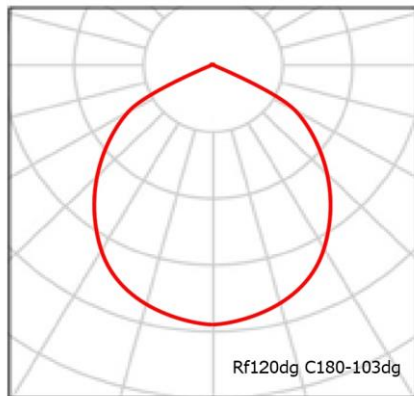
NEW DESIGN OR REPLACE OLD LAMP TO SAVING ENERGY AND LONG DURATION TIME

Specification

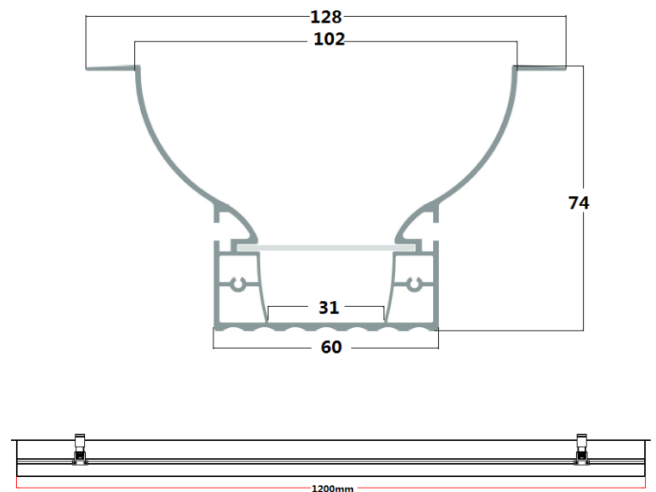
MODEL	XZ-BT
BODY MATERIAL	ALUMINIUM+PC
INPUT VOLTAGE	180-260 VAC, 50Hz
LED CHIP	SMD
POWER	60W
LUMINOUS FLUX	5,760-6,000 lm
EFFICACY	96-100LM/W
COLOR RENDERING INDEX	>70
LED COLOR TEMPERATURE	3,000K- 6,500K
THDi	<15%
POWER FACTOR	>0.9
WORKING TEMPERATURE	-10°C~45°C
LIGHTING SOURCE LIFE	>50,000 hrs.
BEAM ANGLE	120°
IP PROTECTION RATING	IP40
DRIVER	LIFUD
WEIGHT	6.3 Kg



Lighting distribution curve



Dimension of Product



LED Light source



Driver

