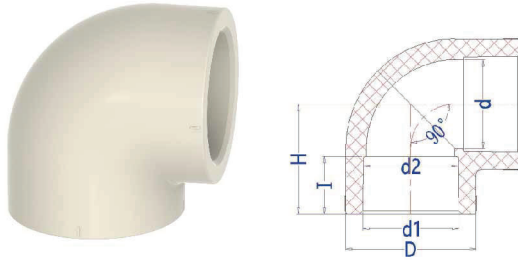


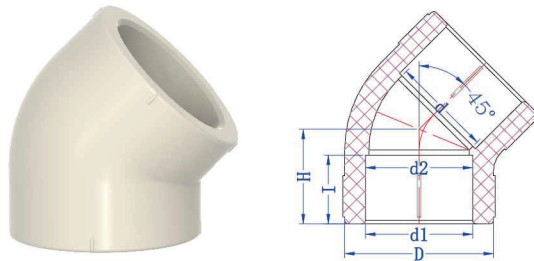
4、PPH/PPR 管件
PPH/PPR FITTINGS

执行标准: GB/T 18742.3-2017
Conform to: GB/T 18742.3-2017



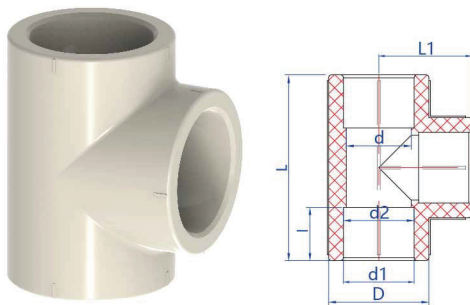
90° 弯头 90° ELBOW (S×S)

Nominal SIZE	Socket Type			Structural Diameter		
	d1	d2	I	D	d	H
20	19.3	19.0	15.0	26.5	17.0	25.0
25	24.1	23.8	16.5	33.0	22.0	30.0
32	31.0	30.7	18.5	42.2	29.0	35.6
40	39.0	38.6	21.0	53.0	36.5	42.0
50	49.0	48.6	24.0	66.0	46.0	50.0
63	61.9	61.4	28.0	83.5	59.0	60.5
75	73.6	72.3	31.5	94.6	70.0	70.0
90	88.3	86.9	36.0	113.5	85.0	82.0
110	108.0	106.4	42.0	138.7	104.0	98.0



45° 弯头 45° ELBOW (S×S)

Nominal SIZE	Socket Type			Structural Diameter		
	d1	d2	I	D	d	H
20	19.3	19.0	16.0	28.0	17.0	21.4
25	24.1	23.8	18.0	34.0	22.0	24.5
32	31.0	30.7	20.0	43.0	29.0	28.0
40	39.0	38.6	22.0	53.0	35.0	30.5
50	49.0	48.6	25.0	66.5	45.0	35.5
63	61.9	61.4	29.0	84.5	59.0	42.0
75	73.6	72.3	31.5	95.0	70.0	48.0
90	88.3	86.9	36.0	113.5	85.0	55.5
110	108.0	106.4	42.0	138.5	104.0	65.5



正三通 TEE (S×S)

Nominal SIZE	Socket Type			Structural Diameter			
	d1	d2	I	D	d	L	L1
20	19.3	19.0	16.0	28.0	17.0	54.0	27.0
25	24.1	23.8	18.0	34.0	22.0	63.0	31.5
32	31.0	30.7	20.0	43.0	29.0	74.0	37.0
40	39.0	38.6	22.0	53.0	35.0	85.0	43.0
50	49.0	48.6	25.0	66.5	45.0	102.0	51.0
63	61.9	61.4	29.0	84.5	59.0	123.0	61.5
75	73.6	72.3	31.5	95.0	70.0	140.0	70.0
90	88.3	86.9	36.0	113.5	85.0	164.0	82.0
110	108.0	106.4	42.0	138.5	104.0	196.0	98.0