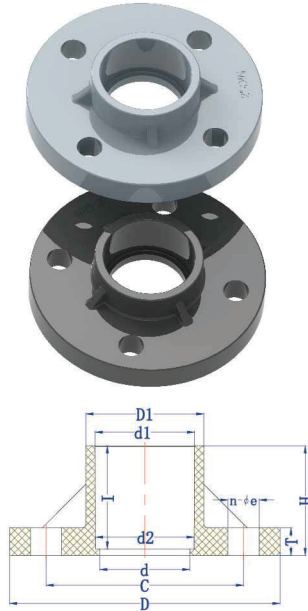


一体式法兰 FLANGE DIN



SIZE	D	D1	C	d	d1	d2	H	T	I	n f e
20	95	32	65	15	20.30	20.00	22	14	16.5	4-14
25	105	35	75	20	25.30	25.00	24	15	18.5	4-14
32	115	43	85	25	32.30	32.00	35	16	30.0	4-14
40	140	52	100	32	40.30	40.00	38	18	33.0	4-18
50	150	59	110	43	50.30	50.00	38	18	31.3	4-18
63	165	76	125	55	63.30	63.00	43	20	38.0	4-18
75	185	89.4	145	65	75.30	75.00	50	20	44.0	4-18
90	200	107.3	160	80	90.30	90.00	57	20	51.0	8-18
110	220	132	180	100	110.40	110.00	70	22	61.0	8-18
140	250	166.7	210	125	140.60	140.0	90	25	76.0	8-18
160	285	185	240	154	160.70	160.00	116	25	86.0	8-22
225	340	257	295	200	225.80	225.0	134	25	118.5	8-22

双片式法兰 VAN STONE FLANGE DIN



SIZE	D	D1	C1	C2	d	d1	d2	H	T	I	n-f e
20	95	30.6	60	70	15	20.3	20.0	26.0	14	21.6	4-15
25	105	36.0	70	75	20	25.3	25.0	29.5	15	23.4	4-15
32	125	43	80	90	25	32.3	32.0	32.2	16	28.7	4-15
40	140	52.6	90	100	32	40.3	40.0	38.5	16	31.7	4-19
50	150	60.7	99	110	40	50.3	50.0	40.5	18	35.0	4-19
63	165	74.8	120	125	51	63.3	63.0	45.0	20	38.2	4-19
75	185	89.6	140	145	63	75.4	75.0	51.0	24	45.0	4-19
90	200	106.5	150	160	77	90.4	90.0	55.0	26	48.0	8-19
110	229	133.0	175	191	102	110.4	110.0	64.0	29	57.5	8-19
140	254	160.1	210	216	125	140.60	140.0	82.0	28	68.0	8-22
160	285	187.1	240	242	156	160.70	160.0	87.0	32	76.0	8-23
200	343	225.4	295	299	190	200.8	200.0	116.0	35	106.0	8-23
225	343	247.1	295	299	200	225.8	225.0	130.0	35	117.5	8-23
250	406	281.7	355	362	240	251.2	250.0	150.0	42	131.0	12-25
280	406	305.0	355	362	250	280.8	280.0	150.0	42	145.0	12-25
315	483	344.6	410	432	307	316.0	315.0	190.0	52	172.0	12-25
355	510	391	450	476	326	356.8	355.0	197.0	40	184.3	12-28
400	570	442	500	540	370	402.0	400.0	226.0	44	204.2	16-28