

VXE DN 65÷100

Easyfit 2-way ball valve



N.P.V. EQUIPMENT LTD., PART.





N.P.V. EQUIPMENT LTD., PART.

VXE DN 65÷100

FIP and Giugiaro Design designed and developed VXE Easyfit, the innovative True Union ball valve with union nut tightening control system that permits simple and safe installation for reliable service in time. This valve is also equipped with the customisable Labelling System.



EASYFIT 2-WAY BALL VALVE

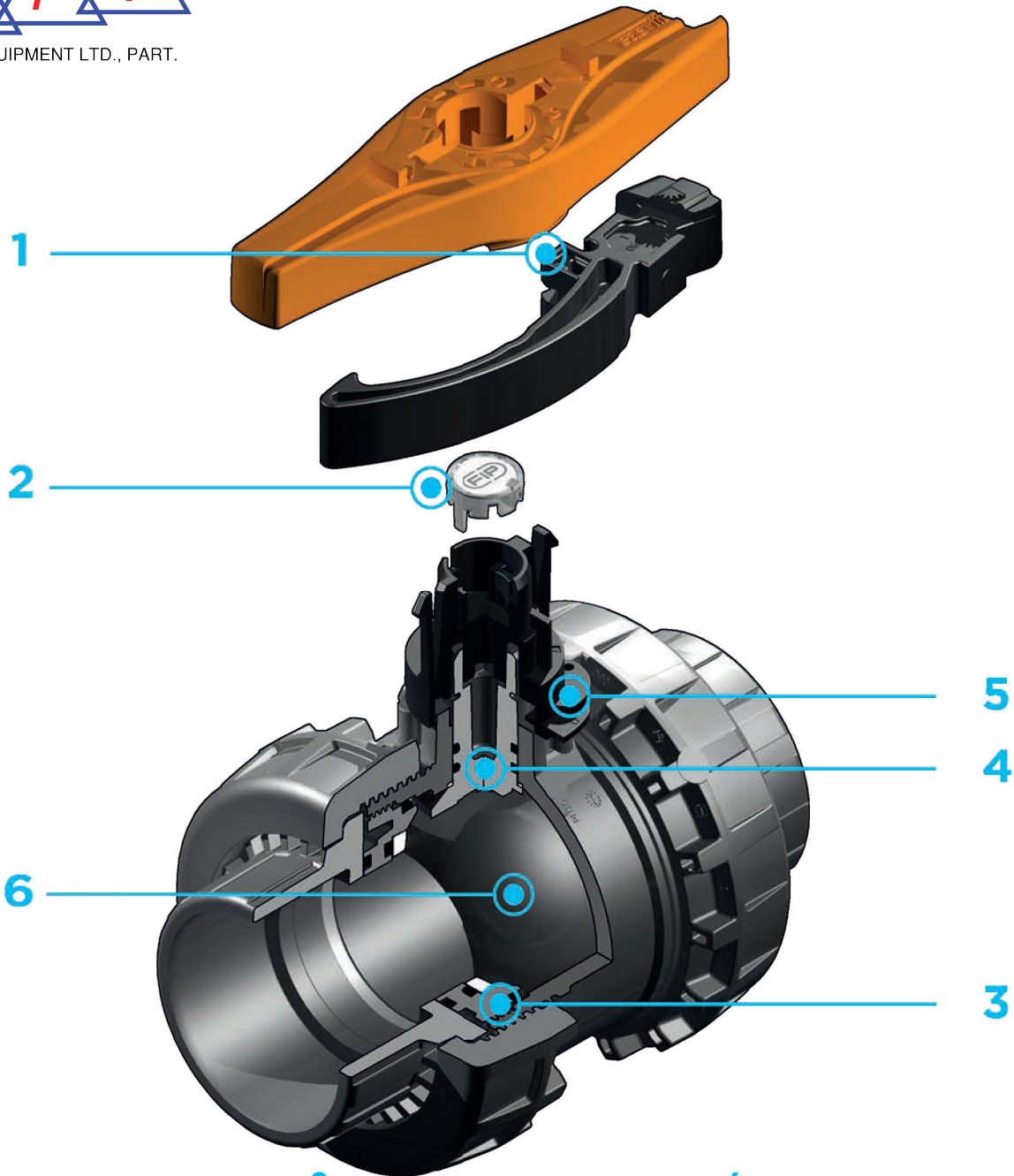
- **Patented Easyfit system:** innovative mechanism based on the multifunctional handle quick release mechanism that permits union nut rotation during valve installation and ball carrier adjustment
- Connection system for solvent weld and threaded joints
- **Valve material compatibility** (PVC-U) and elastomer **seal elements** (EPDM or FKM), with water, drinking water and other food substances as per **current regulations**
- Easy radial dismounting allowing quick replacement of O-rings and ball seats without any need for tools
- **PN16 True Union valve body** made for PVC-U injection moulding and European Directive 2014/68/EU (PED) compliant for pressurised equipment. ISO 9393 compliant test requirements
- Valve body with built in anchoring frame for the special **Power Quick module** dedicated to accessory or pneumatic and electric actuator installation
- Option of dismounting downstream pipes with the valve in the closed position
- Floating **full bore ball** with high surface finish made in CNC work stations to achieve precise dimensional tolerance and high surface finish

Technical specifications

Construction	Easyfit 2-way True Union ball valve with locked carrier
Size range	DN 65 ÷ 100
Nominal pressure	PN 16 with water at 20 °C
Temperature range	0 °C ÷ 60 °C
Coupling standards	<p>Solvent welding: EN ISO 1452, EN ISO 15493, BS 4346-1, , NF T54-028, ASTM D 2467, JIS K 6743. Pipe coupling capacity according to EN ISO 1452, EN ISO 15493, DIN 8062, NF T54-016, ASTM D 1785, JIS K 6741</p> <p>Thread: ISO 228-1, EN 10226-1/2, ASTM D 2467 JIS B 0203.</p>
Reference standards	<p>Construction criteria: EN ISO 16135, EN ISO 1452, EN ISO 15493</p> <p>Test methods and requirements: ISO 9393</p> <p>Installation criteria: DVS 2204, DVS 2221, UNI 11242</p> <p>Actuator couplings: ISO 5211</p>
Valve material	PVC-U
Seal material	EPDM, FKM (standard size O-Ring); PTFE (ball seats)
Control options	Manual control, electric actuator, pneumatic actuator



N.P.V. EQUIPMENT LTD., PART.



- 1 Innovative Easyfit quick release handle** made up of a central hub firmly coupled with the stem valve and **dual spoke grip** that can be released from the hub with a simple operation and used as a **ball seat adjustment tool** and as a **union nut tightening tool** thanks to the hooked insert that, perfectly adapting to their external profile, allows the handle to transform into a wrench to control union nut rotation
- 2 Customisable Labelling System: built-in LCE module** in the hub made up of transparent protection plug and customisable tag holder using the LSE set (available as accessory). The customisation potential lets you **identify the valve on the system** according to specific needs
- 3 PTFE ball seat system with locked carrier** adjustable via the Easyfit quick release handle
- 4 Stem** with high surface finish and **double O-Ring** and **PTFE antifriction disk** that limits friction to a minimum and grants excellent operating torque
- 5 Locking device** in closing and opening via lock
- 6 Machined high surface finish ball** that guarantees a smooth operation and increased reliability

TECHNICAL DATA

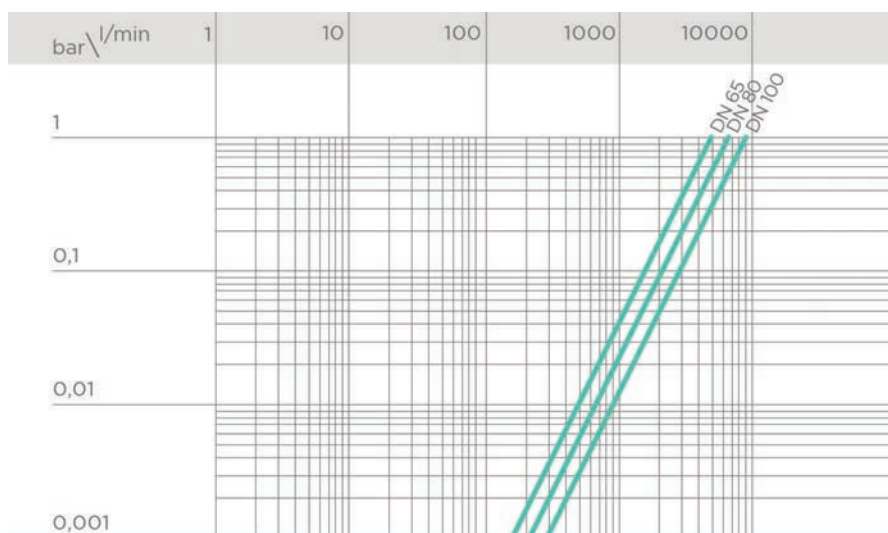


PRESSURE VARIATION ACCORDING TO TEMPERATURE

For water and harmless fluids to which the material is classified as CHEMICALLY RESISTANT. In other cases, a reduction of the nominal PN pressure is required (25 years with safety factor).



PRESSURE DROP GRAPH

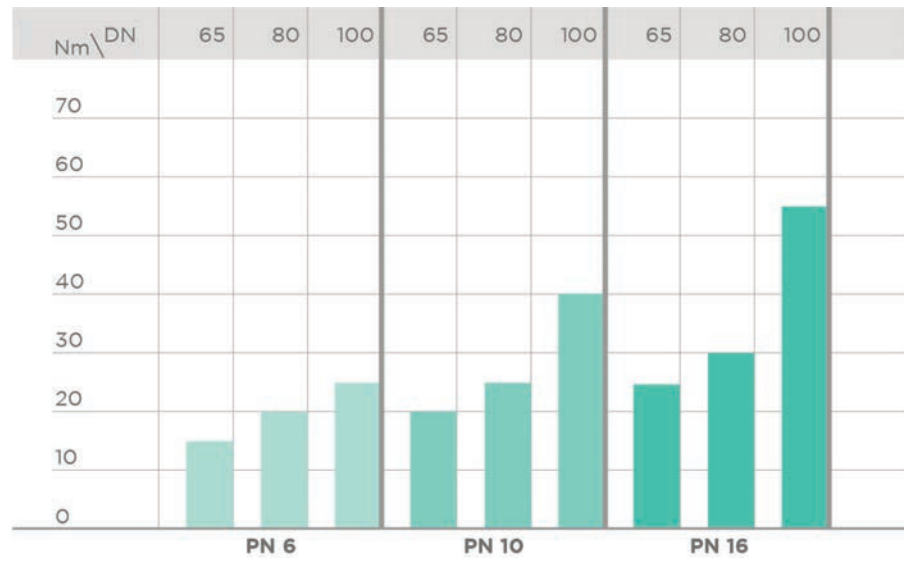


K_v100 FLOW COEFFICIENT

The K_v100 flow coefficient is the Q flow rate of litres per minute of water at a temperature of 20°C that will generate Δp= 1 bar pressure drop at a certain valve position. The Kv100 values shown in the table are calculated with the valve completely open.

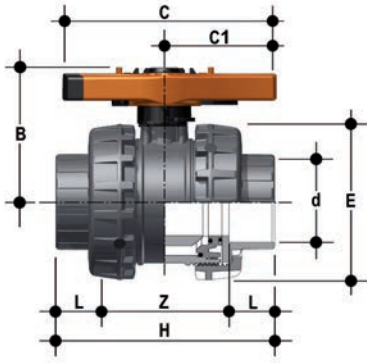
DN	65	80	100
K _v 100 l/min	5000	7000	9400

OPERATING TORQUE AT MAXIMUM WORKING PRESSURE



The information in this leaflet is provided in good faith. No liability will be accepted concerning technical data that is not directly covered by recognised international standards. FIP reserves the right to carry out any modification. Products must be installed and maintained by qualified personnel.

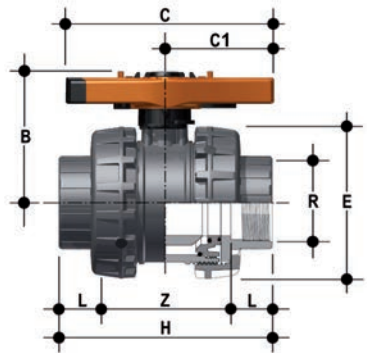
DIMENSIONS



VXEIV

Easyfit 2-way ball valve with female ends for solvent welding, metric series

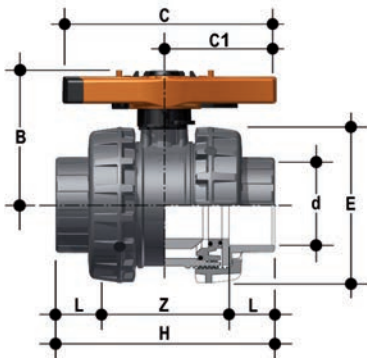
d	DN	PN	B	C	C ₁	E	H	L	Z	g	PTFE - EPDM code	PTFE - FKM code	PE - EPDM code
75	65	16	142	214	115	157	211	44	123	2750	VXEIV075E	VXEIV075F	VXEIV075M
90	80	16	151	239	126	174	248	51	146	3432	VXEIV090E	VXEIV090F	VXEIV090M
110	100	16	174,5	270	145	212	283	61	161	5814	VXEIV110E	VXEIV110F	VXEIV110M



VXEFV

Easyfit 2-way ball valve with BSP threaded female ends

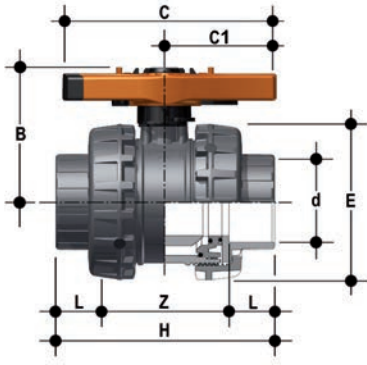
R	DN	PN	B	C	C ₁	E	H	L	Z	g	PTFE - EPDM code	PTFE - FKM code	PE - EPDM code
2"1/2	65	16	142	214	115	157	211	30,2	150,6	2750	VXEFV212E	VXEFV212F	VXEFV212M
3"	80	16	151	239	126	174	248	33,3	181,4	3432	VXEFV300E	VXEFV300F	VXEFV300M
4"	100	16	174,5	270	145	212	283	39,3	204,4	5814	VXEFV400E	VXEFV400F	VXEFV400M



VXELV

Easyfit 2-way ball valve with female ends, BS series

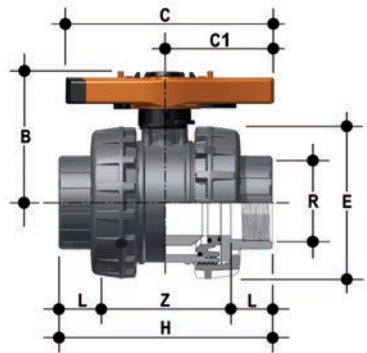
d	DN	PN	B	C	C ₁	E	H	L	Z	g	PTFE - EPDM code	PTFE - FKM code	PE - EPDM code
2"1/2	65	16	142	214	115	157	211	44	123	2750	VXELV075E	VXELV075F	VXELV075M
3"	80	16	151	239	126	174	248	51	146	3432	VXELV300E	VXELV300F	VXELV300M
4"	100	16	174,5	270	145	212	283	63	157	5814	VXELV400E	VXELV400F	VXELV400M



VXEAV

Easyfit 2-way ball valve with female ends, ASTM series

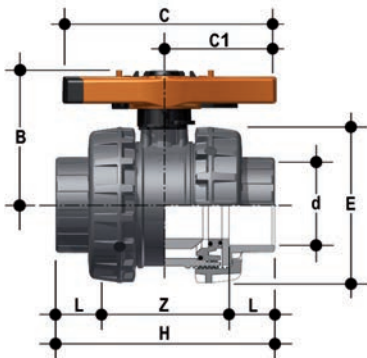
d	DN	PN	B	C	C ₁	E	H	L	Z	g	PTFE - EPDM code	PTFE - FKM code	PE - EPDM code
2 1/2"	65	16	142	214	115	157	211	44,5	122	2750	VXEAV212E	VXEAV212F	VXEAV212M
3"	80	16	151	239	126	174	248	48	152	3432	VXEAV300E	VXEAV300F	VXEAV300M
4"	100	16	174,5	270	145	212	283	57,5	168	5814	VXEAV400E	VXEAV400F	VXEAV400M



VXENV

Easyfit 2-way ball valve with female ends, NPT thread

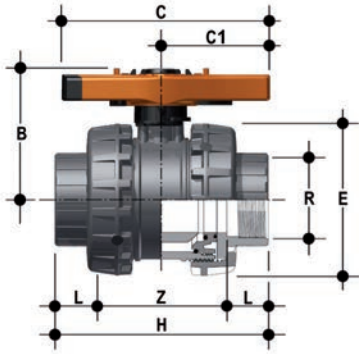
R	DN	PN	B	C	C ₁	E	H	L	Z	g	PTFE - EPDM code	PTFE - FKM code	PE - EPDM code
2 1/2"	65	16	142	214	115	157	211	33,2	144,6	2750	VXENV212E	VXENV212F	VXENV212M
3"	80	16	151	239	126	174	248	35,5	177	3432	VXENV300E	VXENV300F	VXENV300M
4"	100	16	174,5	270	145	212	283	37,6	207,8	5814	VXENV400E	VXENV400F	VXENV400M



VXEJV

Easyfit 2-way ball valve with female ends, JIS series

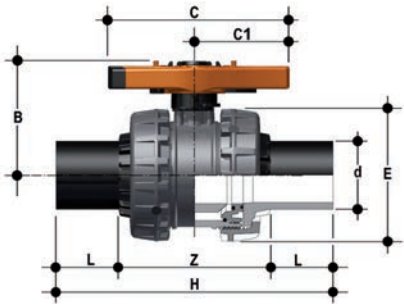
d	DN	PN	B	C	C ₁	E	H	L	Z	g	PTFE - EPDM code	PTFE - FKM code	PE - EPDM code
2 1/2"	65	16	142	214	115	157	243	61	121	2750	VXEJV212E	VXEJV212F	VXEJV212M
3"	80	16	151	239	126	174	272	64,5	143	3432	VXEJV300E	VXEJV300F	VXEJV300M
4"	100	16	174,5	270	145	212	332	84	164	5814	VXEJV400E	VXEJV400F	VXEJV400M



VXEGV

Easyfit 2-way ball valve with female ends, JIS thread

R	DN	PN	B	C	C ₁	E	H	L	Z	g	PTFE - EPDM code	PTFE - FKM code	PE - EPDM code
2 1/2"	65	16	142	214	115	157	211	35	141	2750	VXEGV212E	VXEGV212F	VXEGV212M
3"	80	16	151	239	126	174	248	40	168	3432	VXEGV300E	VXEGV300F	VXEGV300M
4"	100	16	174,5	270	145	212	283	45	193	5814	VXEGV400E	VXEGV400F	VXEGV400M



VXEBEV

Easyfit 2-way ball valve with PE100 SDR 11 male connectors for butt welding or electrofusion (CVDE)

d	DN	PN	B	C	C ₁	E	H	L	Z	g	PTFE - EPDM code	PTFE - FKM code	PE - EPDM code
75	65	16	141,5	214	115	157	331	71	189	2286	VXEBEV075E	VXEBEV075F	VXEBEV075M
90	80	10	151	239	126	174	367	88	191	3059	VXEBEV090E	VXEBEV090F	VXEBEV090M
110	100	10	174,5	270	145	212	407	92	223	5814	VXEBEV110E	VXEBEV110F	VXEBEV110M