

VXE DN 10÷50

Easyfit 2-way ball valve



N.P.V. EQUIPMENT LTD., PART.





N.P.V. EQUIPMENT LTD., PART.

VXE DN 10÷50

FIP and Giugiaro Design designed and developed VXE Easyfit, the innovative True Union ball with union nut tightening control that permits simple and safe installation for reliable service in time. This valve is also equipped with the customisable Labelling System.



EASYFIT 2-WAY BALL VALVE

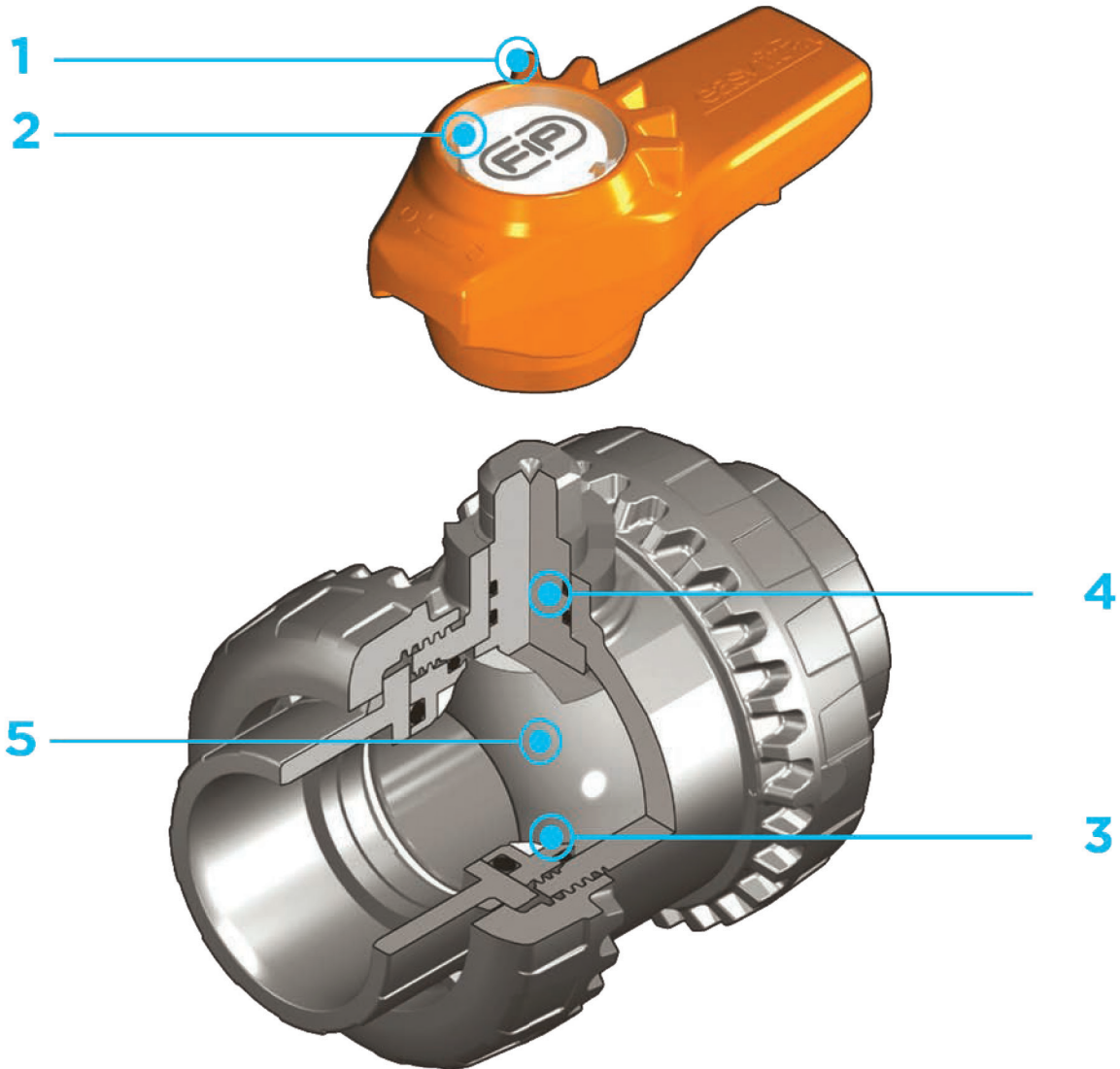
- **Patented Easyfit system:** innovative mechanism based on the principle of the bevel gear pair that controls valve union nut rotation during installation
- Connection system for solvent weld and threaded joints
- **Valve material compatibility** (PVC-C) and elastomer **seal elements** (EPDM or FKM), with water, drinking water and other food substances as per **current regulations**
- Easy radial disassembly allowing quick replacement of O-rings and ball seats without any need for tools
- **PN16 True Union valve body** made for PVC-C injection moulding and European Directive 2014/68/EU (PED) compliant for pressurised equipment. ISO 9393 compliant test requirements
- Fully interchangeable with previous VX Ergo series models
- Option of disassembling downstream pipes with the valve in the closed position
- Floating **full bore ball** with high surface finish made in CNC work stations to achieve precise dimensional tolerance and high surface finish

Technical specifications

Construction	Easyfit 2-way True Union ball valve with locked carrier
Size range	DN 10 ÷ 50
Nominal pressure	PN 16 with water at 20 °C
Temperature range	0 °C ÷ 60 °C
Coupling standards	Solvent welding: EN ISO 1452, EN ISO 15493, BS 4346-1, , NF T54-028, ASTM D 2467, JIS K 6743. Pipe coupling capacity according to EN ISO 1452, EN ISO 15493, DIN 8062, NF T54-016, ASTM D 1785, JIS K 6741 Thread: ISO 228-1, EN 10226-1/2, ASTM D 2467 JIS B 0203.
Reference standards	Construction criteria: EN ISO 16135, EN ISO 1452, EN ISO 15493 Test methods and requirements: ISO 9393 Installation criteria: DVS 2204, DVS 2221, UNI 11242 Actuator couplings: ISO 5211
Valve material	PVC-U
Seal material	EPDM, FKM (standard size O-Ring); PTFE (ball seats)
Control options	Manual control



N.P.V. EQUIPMENT LTD., PART.



1 Two position **Easyfit ergonomic multifunctional handle with union nut tightening control** which can be used to **adjust ball seat carriers**. Handle use is especially indicated for **maintenance** work where **space is limited** and hard to access

2 **Customisable Labelling System: built-in LCE module** on the handle made up of a transparent

protection plug and customisable tag holder with LSE set (available as accessory). The customisation potential lets you **identify the valve on the system** according to specific needs

3 **The PTFE ball seat system with locked carrier** adjustable via Easyfit multifunctional handle or Easytorque adjustment kit (available as an accessory)

4 High surface finish **valve stem with double O-Ring**, produced in CNC work stations to achieve precise dimensional tolerance and increased reliability

5 Machined high surface finish ball that guarantees a smooth operation and increased reliability

TECHNICAL DATA

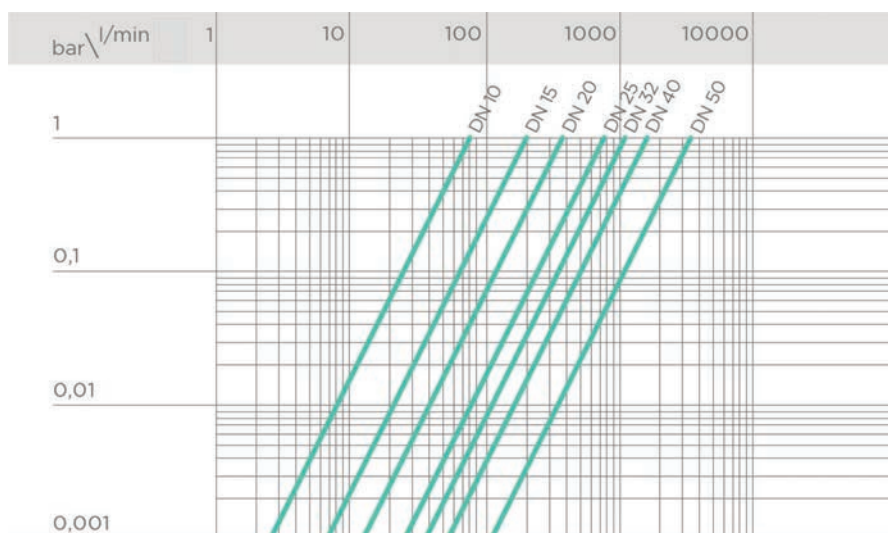


PRESSURE VARIATION ACCORDING TO TEMPERATURE

For water and harmless fluids to which the material is classified as CHEMICALLY RESISTANT. In other cases, a reduction of the nominal PN pressure is required (25 years with safety factor).



PRESSURE DROP GRAPH



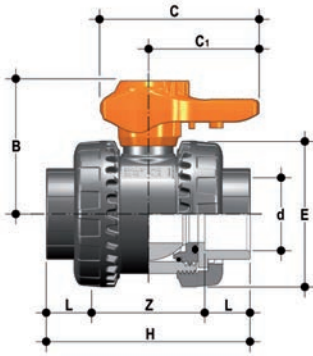
K_v100 FLOW COEFFICIENT

The K_v100 flow coefficient is the Q flow rate of litres per minute of water at a temperature of 20°C that will generate Δp= 1 bar pressure drop at a certain valve position. The Kv100 values shown in the table are calculated with the valve completely open.

DN	10	15	20	25	32	40	50
K _v 100 l/min	80	200	385	770	1110	1750	3400

The information in this leaflet is provided in good faith. No liability will be accepted concerning technical data that is not directly covered by recognised international standards. FIP reserves the right to carry out any modification. Products must be installed and maintained by qualified personnel.

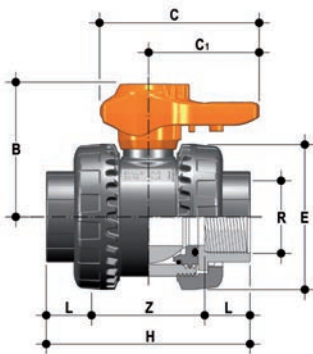
DIMENSIONS



VXEIV

Easyfit 2-way ball valve with female ends for solvent welding, metric series

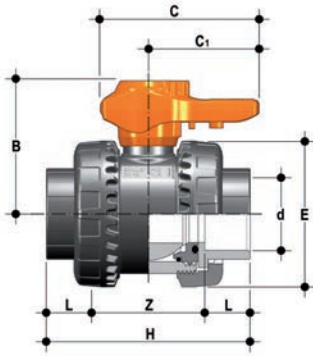
d	DN	PN	B	C	C ₁	E	H	L	Z	g	EPDM code	FKM code
16	10	16	49	64	44	54	82	14	50	180	VXEIV016E	VXEIV016F
20	15	16	49	64	44	54	82	16	50	175	VXEIV020E	VXEIV020F
25	20	16	62	78	55	63	91	19	53	260	VXEIV025E	VXEIV025F
32	25	16	71	87	60	72	103	22	59	365	VXEIV032E	VXEIV032F
40	32	16	82	102	72	85	120	26	68	565	VXEIV040E	VXEIV040F
50	40	16	92	109	76	100	139	31	77	795	VXEIV050E	VXEIV050F
63	50	16	110	133	94	118	174	38	98	1325	VXEIV063E	VXEIV063F



VXEFV

Easyfit 2-way ball valve with BSP threaded female ends

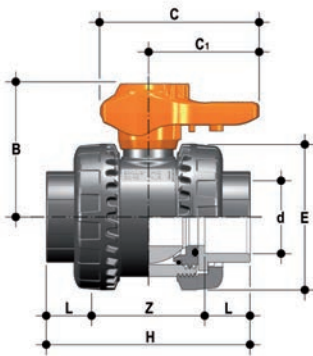
R	DN	PN	B	C	C ₁	E	H	L	Z	g	EPDM code	FKM code
3/8"	10	16	49	64	44	54	82	11,4	59,2	180	VXEFV038E	VXEFV038F
1/2"	15	16	49	64	44	54	90	15	60	175	VXEFV012E	VXEFV012F
3/4"	20	16	62	78	55	63	93	16,3	60,4	260	VXEFV034E	VXEFV034F
1"	25	16	71	87	60	72	110	19,1	71,8	365	VXEFV100E	VXEFV100F
1" 1/4	32	16	82	102	72	85	127	21,4	84,2	565	VXEFV114E	VXEFV114F
1" 1/2	40	16	92	109	76	100	131	21,4	88,2	795	VXEFV112E	VXEFV112F
2"	50	16	110	133	94	118	161	25,7	109,6	1325	VXEFV200E	VXEFV200F



VXELV

Easyfit 2-way ball valve with female ends for solvent welding, BS series

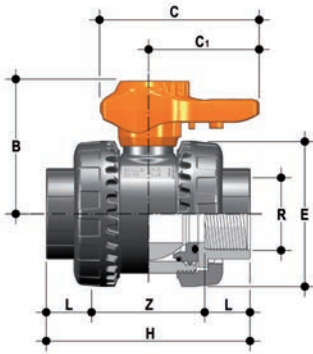
d	DN	PN	B	C	C ₁	E	H	L	Z	g	EPDM code	FKM code
3/8"	10	16	49	64	44	54	78	14,5	49	180	VXELV038E	VXELV038F
1/2"	15	16	49	64	44	54	82	16,5	49	175	VXELV012E	VXELV012F
3/4"	20	16	62	78	55	63	91	19	53	260	VXELV034E	VXELV034F
1"	25	16	71	87	60	72	103	22,5	58	365	VXELV100E	VXELV100F
1 1/4"	32	16	82	102	72	85	120	26	68	565	VXELV114E	VXELV114F
1 1/2"	40	16	92	109	76	100	139	30	79	795	VXELV112E	VXELV112F
2"	50	16	110	133	94	118	174	36	102	1325	VXELV200E	VXELV200F



VXEAV

Easyfit 2-way ball valve with female ends for solvent welding, ASTM series

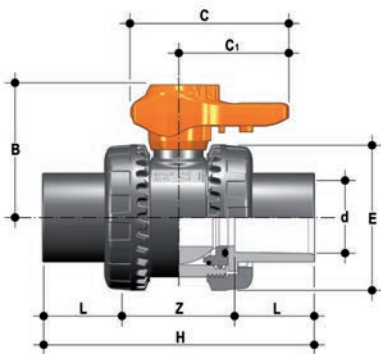
d	DN	PN	B	C	C ₁	E	H	L	Z	g	EPDM code	FKM code
1/2"	15	16	49	64	44	54	96	22,5	51	175	VXEAV012E	VXEAV012F
3/4"	20	16	62	78	55	63	105	25,5	54	260	VXEAV034E	VXEAV034F
1"	25	16	71	87	60	72	117	28,7	59,5	365	VXEAV100E	VXEAV100F
1 1/4"	32	16	82	102	72	85	136	32	72	565	VXEAV114E	VXEAV114F
1 1/2"	40	16	92	109	76	100	147	35	77	795	VXEAV112E	VXEAV112F
2"	50	16	110	133	94	118	174	38,2	97,6	1325	VXEAV200E	VXEAV200F



VXENV

Easyfit 2-way ball valve with female ends, NPT thread

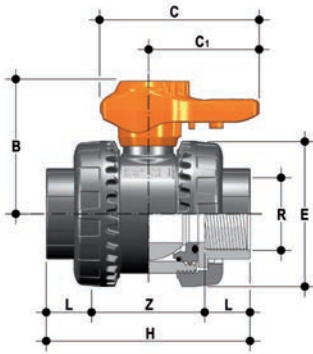
R	DN	PN	B	C	C ₁	E	H	L	Z	g	EPDM code	FKM code
3/8"	10	16	49	64	44	54	82	13,7	54,6	180	VXENV038E	VXENV038F
1/2"	15	16	49	64	44	54	90	17,8	54,4	175	VXENV012E	VXENV012F
3/4"	20	16	62	78	55	63	93	18	57	260	VXENV034E	VXENV034F
1"	25	16	71	87	60	72	110	22,6	64,8	365	VXENV100E	VXENV100F
1" 1/4	32	16	82	102	72	85	127	25,1	76,8	565	VXENV114E	VXENV114F
1" 1/2	40	16	92	109	76	100	131	24,7	81,6	795	VXENV112E	VXENV112F
2"	50	16	110	133	94	118	161	29,6	101,8	1325	VXENV200E	VXENV200F



VXEJV

Easyfit 2-way ball valve with female ends for solvent welding, JIS series

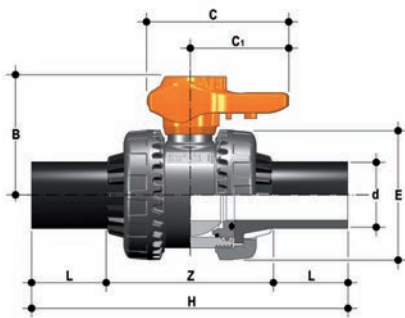
d	DN	PN	B	C	C ₁	E	H	L	Z	g	EPDM code	FKM code
1/2"	15	16	49	64	44	54	110	30	50	195	VXEJV012E	VXEJV012F
3/4"	20	16	62	78	55	63	123	35	53	285	VXEJV034E	VXEJV034F
1"	25	16	71	87	60	72	139	40	59	395	VXEJV100E	VXEJV100F
1" 1/4	32	16	82	102	72	85	156	44	68	600	VXEJV114E	VXEJV114F
1" 1/2	40	16	92	109	76	100	187	55	77	835	VXEJV112E	VXEJV112F
2"	50	16	110	133	94	118	228	63	102	1375	VXEJV200E	VXEJV200F



VXEGV

Easyfit 2-way valve with female ends, JIS thread

R	DN	PN	B	C	C ₁	E	H	L	Z	g	EPDM code	FKM code
1/2"	15	16	49	64	44	54	82	16	50	175	VXEGV012E	VXEGV012F
3/4"	20	16	62	78	55	63	91	19	53	260	VXEGV034E	VXEGV034F
1"	25	16	71	87	60	72	103	22	59	365	VXEGV100E	VXEGV100F
1" 1/4	32	16	82	102	72	85	120	25	70	565	VXEGV114E	VXEGV114F
1" 1/2	40	16	92	109	76	100	139	26	87	795	VXEGV112E	VXEGV112F
2"	50	16	110	133	94	118	174	31	112	1325	VXEGV200E	VXEGV200F



VXEDEV

Easyfit 2-way ball valve with PE100 SDR 11 male end connectors for butt welding or electrofusion (CVDE)

d	DN	PN	B	C	C ₁	E	H	L	Z	g	EPDM code	FKM code
20	15	16	49	64	44	54	154	40,5	73	180	VXEDEV020E	VXEDEV020F
25	20	16	62	78	55	63	189	54	81	269	VXEDEV025E	VXEDEV025F
32	25	16	71	87	60	72	203	56	91	379	VXEDEV032E	VXEDEV032F
40	32	16	82	102	72	85	221	56	109	591	VXEDEV040E	VXEDEV040F
50	40	16	92	109	76	100	246	60,5	125	851	VXEDEV050E	VXEDEV050F
63	50	16	110	133	94	118	276	65,5	145	1407	VXEDEV063E	VXEDEV063F