

# VEE DN 65÷100

Easyfit 2-way ball valve



N.P.V. EQUIPMENT LTD., PART.





N.P.V. EQUIPMENT LTD., PART.

# VEE DN 65÷100

FIP and Giugiaro Design designed and developed VEE Easyfit, the innovative True Union ball valve that permits simple and safe installation for reliable service over time. The valve is specifically designed for water conveyance applications.



## EASYFIT 2-WAY BALL VALVE

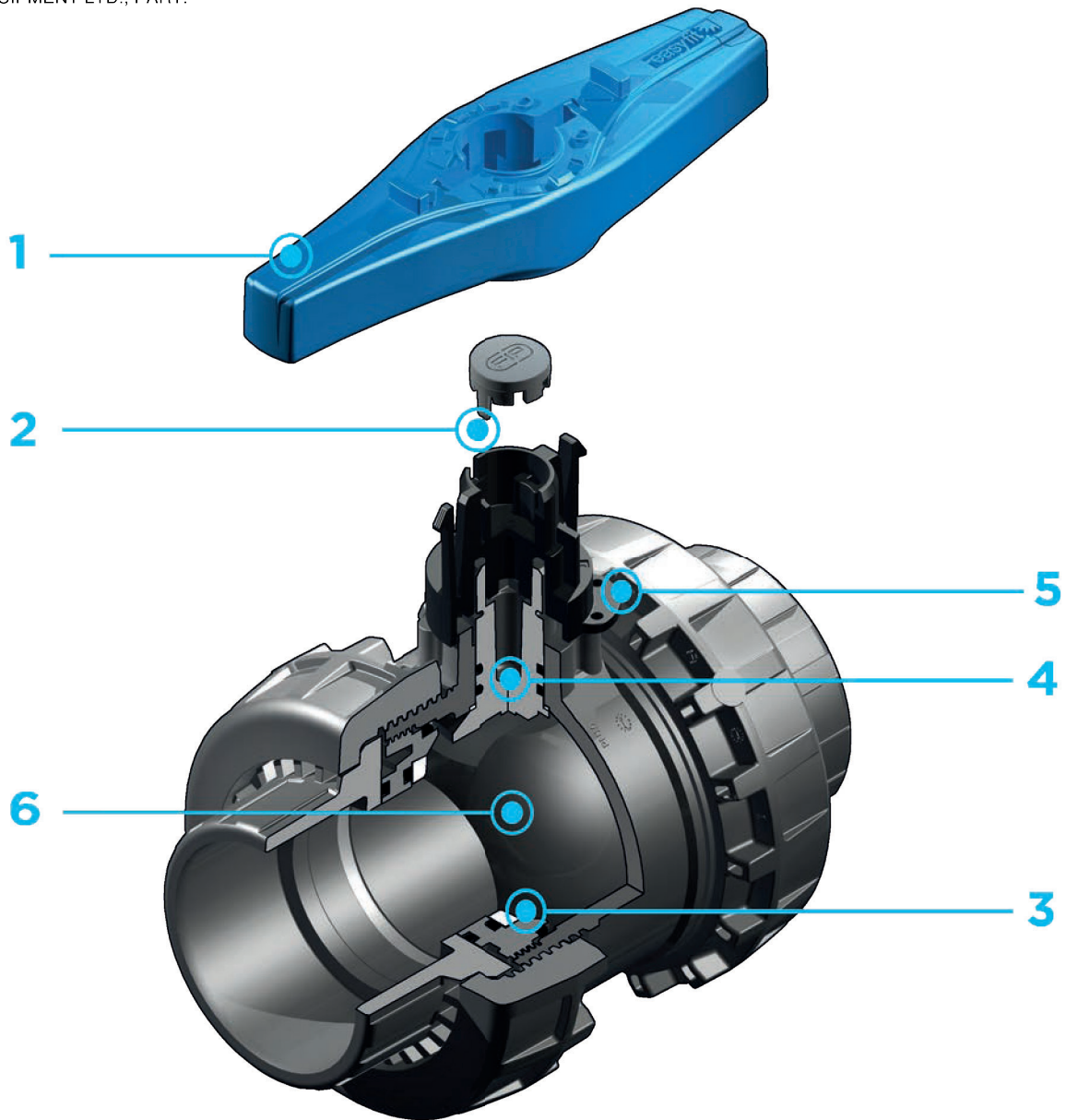
- **Patented Easyfit system:** innovative mechanism that lets you use the quick release handle to adjust the ball carrier
- Connection system for solvent weld and threaded joints
- **Valve material compatibility** (PVC-U) with water, drinking ware and other food substances according to **current regulations**
- Easy radial dismounting allowing quick replacement of O-rings and ball seats without any need for tools
- **PN16 True Union valve body** made for PVC-U injection moulding and European Directive 2014/68/EU (PED) compliant for pressurised equipment. ISO 9393 compliant test requirements
- Valve body with built-in anchoring frame for the special **Power Quick Easyfit module** dedicated to the installation of pneumatic and electric actuators or accessories
- Option of dismounting downstream pipes with the valve in the closed position
- Floating **full bore ball** with high surface finish made in CNC work stations to achieve precise dimensional tolerance and high surface finish

### Technical specifications

<b>Construction</b>	Easyfit 2-way True Union ball valve with locked carrier
<b>Size range</b>	DN 65 ÷ 100
<b>Nominal pressure</b>	PN 16 with water at 20 °C
<b>Temperature range</b>	0 °C ÷ 60 °C
<b>Coupling standards</b>	<b>Solvent welding:</b> EN ISO 1452, EN ISO 15493, BS 4346-1, , NF T54-028, ASTM D 2467, JIS K 6743. Pipe coupling capacity according to EN ISO 1452, EN ISO 15493, DIN 8062, NF T54-016, ASTM D 1785, JIS K 6741 <b>Thread:</b> ISO 228-1, EN 10226-1/2, ASTM D 2467 JIS B 0203.
<b>Reference standards</b>	<b>Construction criteria:</b> EN ISO 16135, EN ISO 1452, EN ISO 15493 <b>Test methods and requirements:</b> ISO 9393 <b>Installation criteria:</b> DVS 2204, DVS 2221, UNI 11242 <b>Actuator couplings:</b> ISO 5211
<b>Valve material</b>	PVC-U
<b>Seal material</b>	EPDM (standard size O-Ring); PE (ball seats)
<b>Control options</b>	Manual control



N.P.V. EQUIPMENT LTD., PART.



**1 Innovative quick release Easyfit handle** made up of a central hub firmly coupled with the stem by a **dual spoke grip** that can be released from the hub with a simple operation and used as a **ball seat adjustment tool**

**2** Settings for the customisable Labelling System using the LCE module (available as an accessory). The grey protection plug housed on the central hub can be replaced with the

transparent plug and customisable tag holder with the LSE set (available as an accessory). The **customisation lets you identify the valve on the system** according to specific needs

**3 PE seal system with locked carrier** adjustable via the Easyfit quick release handle

**4 Stem** with high surface finish and **double O-Ring and PTFE anti-**

**friction disk** that limits friction to a minimum and grants excellent operating torque

**5** Valve body set for SHE kit installation (available as an accessory) that blocks the closing and opening manoeuvres with a lock

**6** Machined high surface finish ball that guarantees a smooth operation and increased reliability

# TECHNICAL DATA

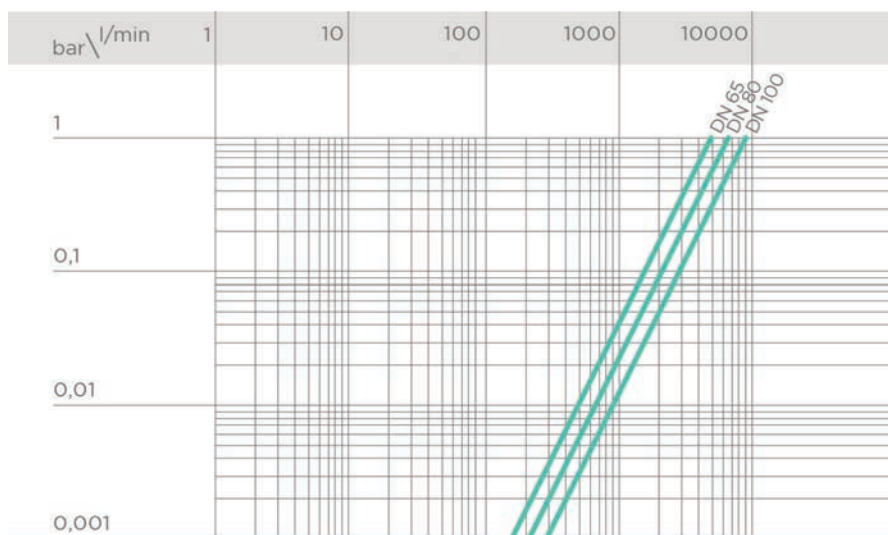


## PRESSURE VARIATION ACCORDING TO TEMPERATURE

For water and harmless fluids to which the material is classified as CHEMICALLY RESISTANT. In other cases, a reduction of the nominal PN pressure is required (25 years with safety factor).



## PRESSURE DROP GRAPH

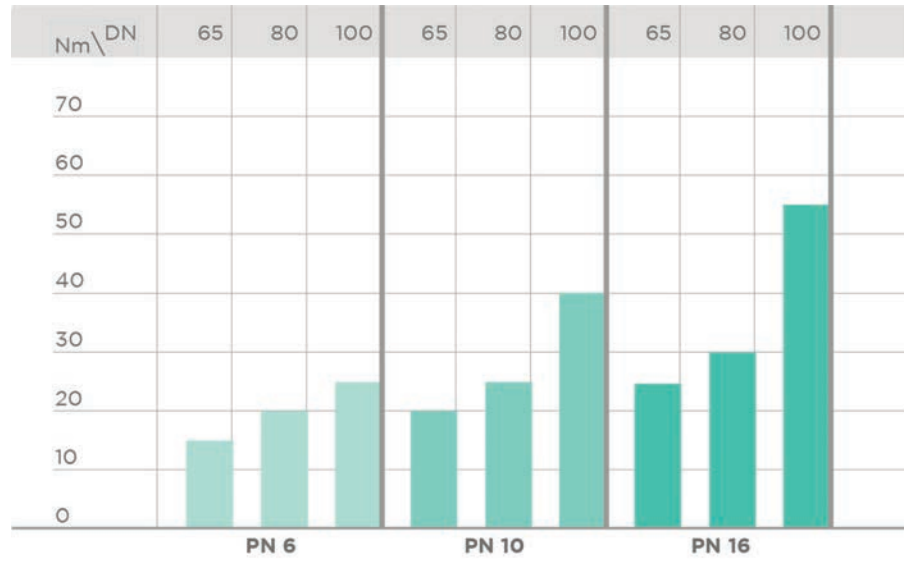


## K<sub>v</sub>100 FLOW COEFFICIENT

The K<sub>v</sub>100 flow coefficient is the Q flow rate of litres per minute of water at a temperature of 20°C that will generate Δp= 1 bar pressure drop at a certain valve position. The Kv100 values shown in the table are calculated with the valve completely open.

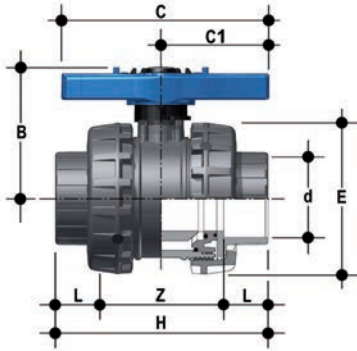
DN	65	80	100
K <sub>v</sub> 100 l/min	5000	7000	9400

## OPERATING TORQUE AT MAXIMUM WORKING PRESSURE



The information in this leaflet is provided in good faith. No liability will be accepted concerning technical data that is not directly covered by recognised international standards. FIP reserves the right to carry out any modification. Products must be installed and maintained by qualified personnel.

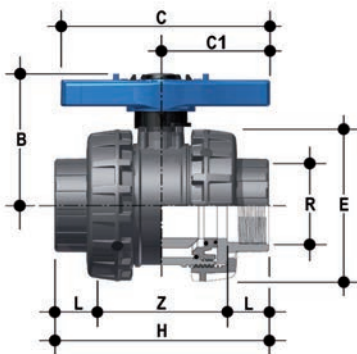
# DIMENSIONS



## VEEIV

Easyfit 2-way ball valve with female ends for solvent welding, metric series

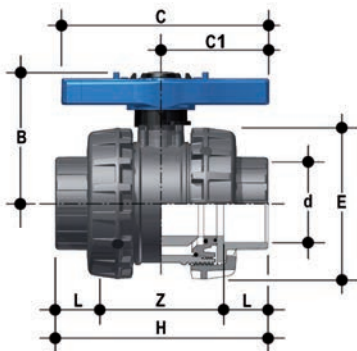
d	DN	PN	B	C	C <sub>1</sub>	E	H	L	Z	g	Code
75	65	16	142	214	115	157	211	44	123	2750	VEEIV075E
90	80	16	151	239	126	174	248	51	146	3432	VEEIV090E
110	100	16	174,5	270	145	212	283	61	161	5814	VEEIV110E



## VEEFV

Easyfit 2-way ball valve with BSP threaded female ends

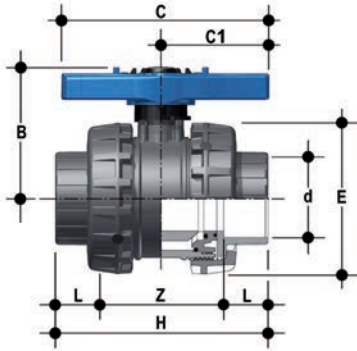
R	DN	PN	B	C	C <sub>1</sub>	E	H	L	Z	g	Code
2"1/2	65	16	142	214	115	157	211	30,2	150,6	2750	VEEFV212E
3"	80	16	151	239	126	174	248	33,3	181,4	3432	VEEFV300E
4"	100	16	174,5	270	145	212	283	39,3	204,4	5814	VEEFV400E



## VEELV

Easyfit 2-way ball valve with female ends, BS series

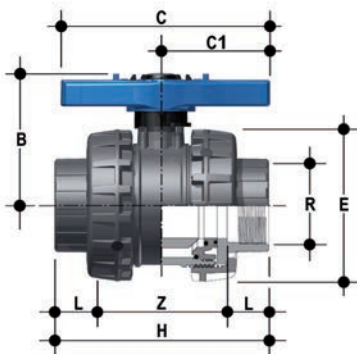
d	DN	PN	B	C	C <sub>1</sub>	E	H	L	Z	g	Code
2"1/2	65	16	142	214	115	157	211	44	123	2750	VEEIV075E
3"	80	16	151	239	126	174	248	51	146	3432	VEELV300E
4"	100	16	174,5	270	145	212	283	63	157	5814	VEELV400E



### VEEAV

Easyfit 2-way ball valve with female ends, ASTM series

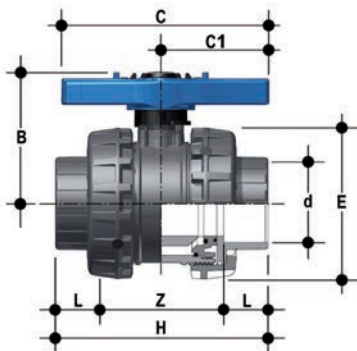
d	DN	PN	B	C	C <sub>1</sub>	E	H	L	Z	g	Code
2 1/2"	65	16	142	214	115	157	211	44,5	122	2750	VEEAV212E
3"	80	16	151	239	126	174	248	48	152	3432	VEEAV300E
4"	100	16	174,5	270	145	212	283	57,5	168	5814	VEEAV400E



### VEENV

Easyfit 2-way ball valve with female ends, NPT thread

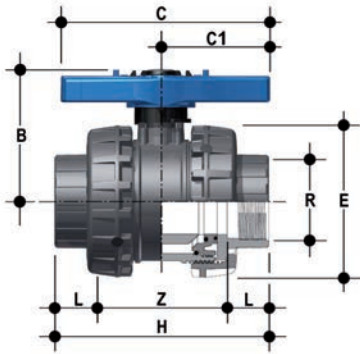
R	DN	PN	B	C	C <sub>1</sub>	E	H	L	Z	g	Code
2 1/2"	65	16	142	214	115	157	211	33,2	144,6	2750	VEENV212E
3"	80	16	151	239	126	174	248	35,5	177	3432	VEENV300E
4"	100	16	174,5	270	145	212	283	37,6	207,8	5814	VEENV400E



### VEEJV

Easyfit 2-way ball valve with female ends, JIS series

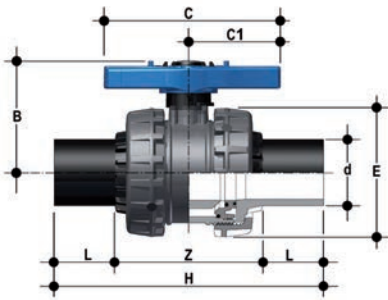
d	DN	PN	B	C	C <sub>1</sub>	E	H	L	Z	g	Code
2 1/2"	65	16	142	214	115	157	243	61	121	2750	VEEJV212E
3"	80	16	151	239	126	174	272	64,5	143	3432	VEEJV300E
4"	100	16	174,5	270	145	212	332	84	164	5814	VEEJV400E



### VEEGV

Easyfit 2-way ball valve with female ends, JIS thread

R	DN	PN	B	C	C <sub>1</sub>	E	H	L	Z	g	Code
2 1/2"	65	16	142	214	115	157	211	35	141	2750	VEEGV212E
W	80	16	151	239	126	174	248	40	168	3432	VEEGV300E
4"	100	16	174,5	270	145	212	283	45	193	5814	VEEGV400E



### VEEBEV

Easyfit 2-way ball valve with PE100 SDR 11 male end connectors for butt welding or electrofusion (CVDE)

d	DN	PN	B	C	C <sub>1</sub>	E	H	L	Z	g	Code
75	65	16	141,5	214	115	157	331	71	189	2286	VEEBEV075E
90	80	10	151	239	126	174	367	88	191	3059	VEEBEV090E
110	100	10	174,5	270	145	212	407	92	223	5814	VEEBEV110E