

TKD DN 10÷50

DUAL BLOCK® 3-way ball valve



N.P.V. EQUIPMENT LTD., PART.





N.P.V. EQUIPMENT LTD., PART.

TKD DN 10÷50

FIP has developed a TKD DUAL BLOCK® ball valve to introduce a high reference standard in thermoplastic valve design. TKD is a True Union diverting and mixing ball valve that meets the most stringent needs required in industrial applications.



DUAL BLOCK® 3-WAY BALL VALVE

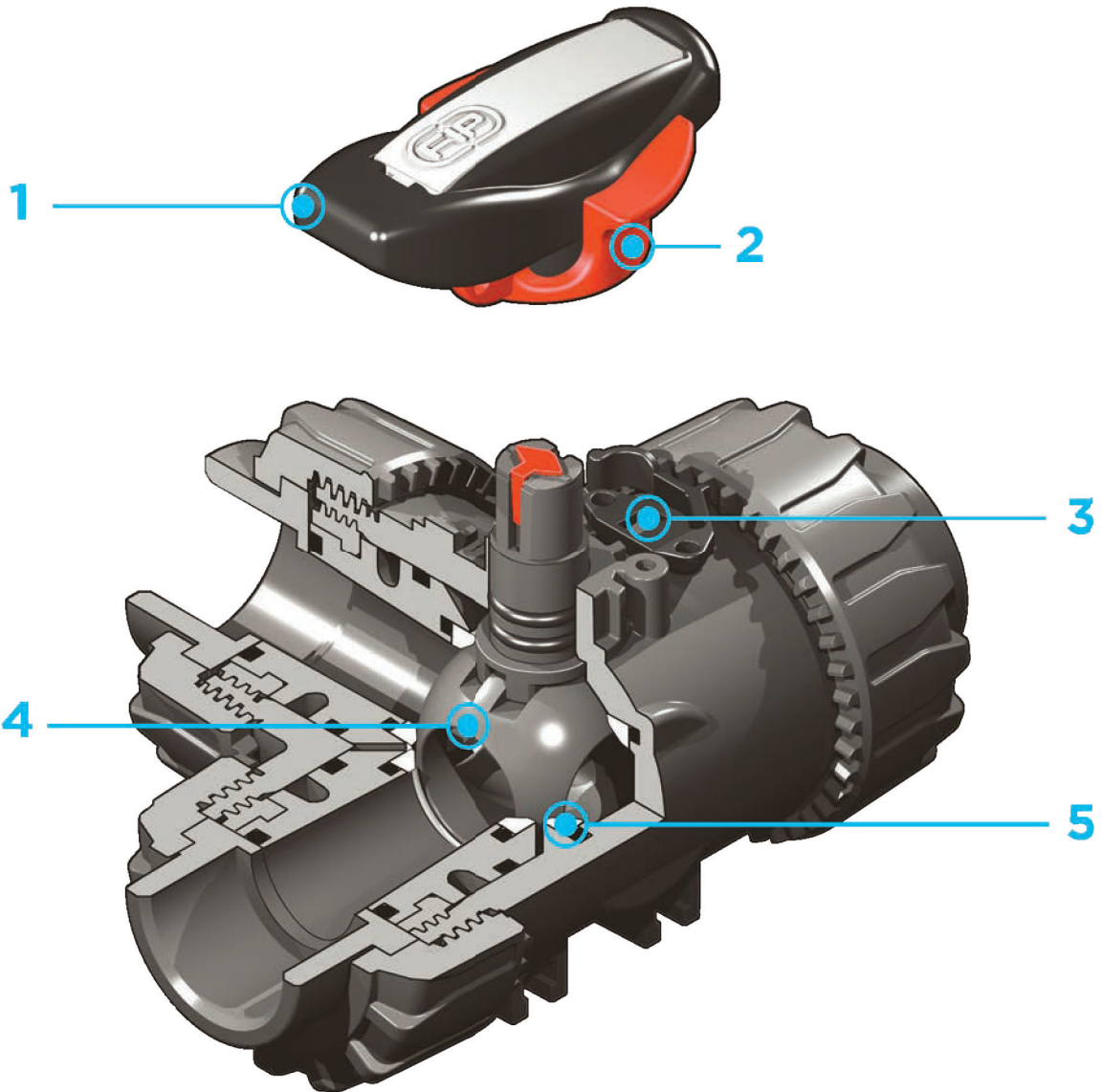
- Connection system for solvent weld, threaded and flanged joints
- Patented **SEAT STOP®** ball carrier system that lets you micro-adjust ball seats and minimise axial force effects
- Easy radial dismounting allowing quick replacement of O-rings and ball seats without any need for tools
- **PN16 True Union valve body** made for rigid PVC-U injection moulding equipped with built-in bores for actuation. ISO 9393 compliant test requisites
- Option of dismounting downstream pipes with the valve in the closed position
- High surface finish stem with double O-Ring and double connection key to the ball, equipped with **visual ball position indicator** for correct handle installation
- **Integrated bracket** for valve anchoring
- Possibility of installing pneumatic and/or electric actuators thanks to the robust anchor tower for easy and quick automation using the **Power Quick module** (optional)
- Possibility to have handle with integrated LSQT limit micro switch, even as a retrofit in existing installations

Technical specifications

| | |
|----------------------------|--|
| Construction | 3-way True Union ball valve with locked carrier and union nuts |
| Size range | DN 10 ÷ 50 |
| Nominal pressure | PN 16 with water at 20 °C |
| Temperature range | 0 °C ÷ 60 °C |
| Coupling standards | Solvent welding: EN ISO 1452, EN ISO 15493, BS 4346-1, , NF T54-028, ASTM D 2467, JIS K 6743. Pipe coupling capacity according to EN ISO 1452, EN ISO 15493, DIN 8062, NF T54-016, ASTM D 1785, JIS K 6741 Thread: ISO 228-1, EN 10226-1/2, ASTM D 2467 JIS B 0203. |
| Reference standards | Construction criteria: EN ISO 16135, EN ISO 1452, EN ISO 15493 Test methods and requirements: ISO 9393 Installation criteria: DVS 2204, DVS 2221, UNI 11242 Actuator couplings: ISO 5211 |
| Valve material | PVC-U |
| Seal material | EPDM, FKM (standard size O-Ring) On request FEP+FKM, FFKM PTFE (ball seats) |
| Control options | Manual control; electric actuator; pneumatic actuator |



N.P.V. EQUIPMENT LTD., PART.



1 Ergonomic HIPVC handle equipped with removable tool to adjust the ball seat carrier. Possibility of installing the **LTKD stroke limiter** (available as an accessory) that permits ball and handle rotation only for set opening and closing angles at 90° or 180°

2 Handle lock 0°- 90° SHKD

(available as an accessory) ergonomically operable during service and padlockable

3 **DUAL BLOCK®** patented lock system that ensures union nut tightening hold even in severe conditions such as vibrations or heat dilation

4 **Ball shutter** high surface finish with floating type full passage with **T or L port**

5 **4 PTFE ball seat system** that compensates axial force guaranteeing optimal manageability and long working life

TECHNICAL DATA



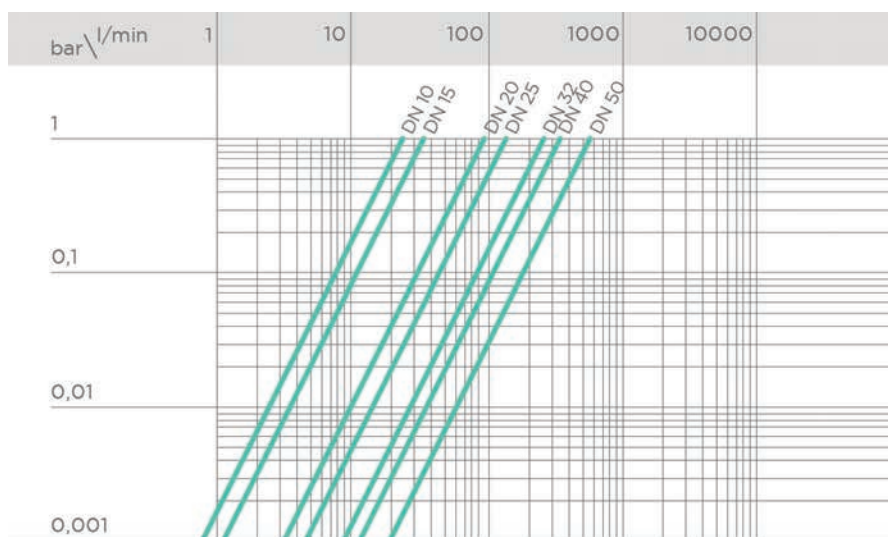
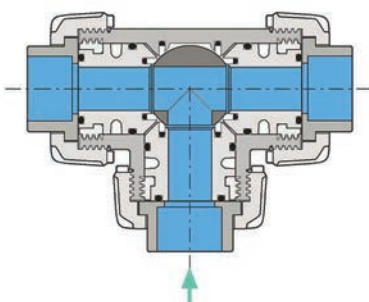
PRESSURE VARIATION ACCORDING TO TEMPERATURE

For water and harmless fluids to which the material is classified as CHEMICALLY RESISTANT. In other cases, a reduction of the nominal PN pressure is required (25 years with safety factor).

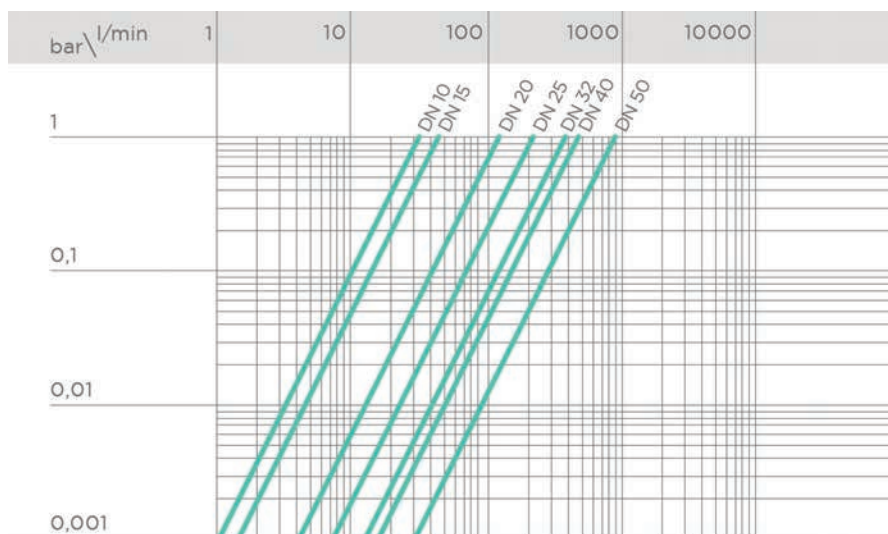
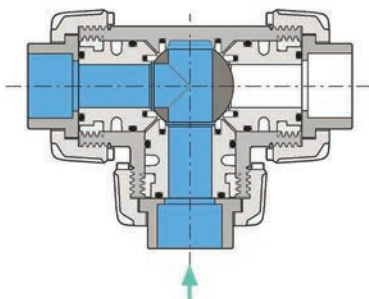


PRESSURE DROP GRAPH AND WORK POSITIONS

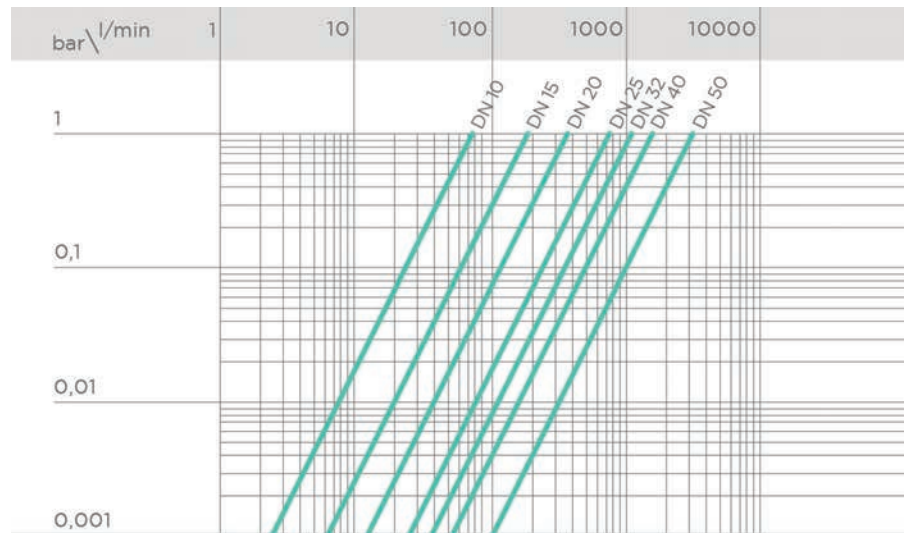
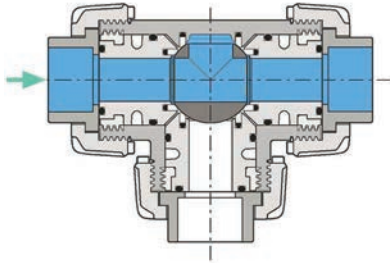
A - T-port ball valve:
0° - Mixing



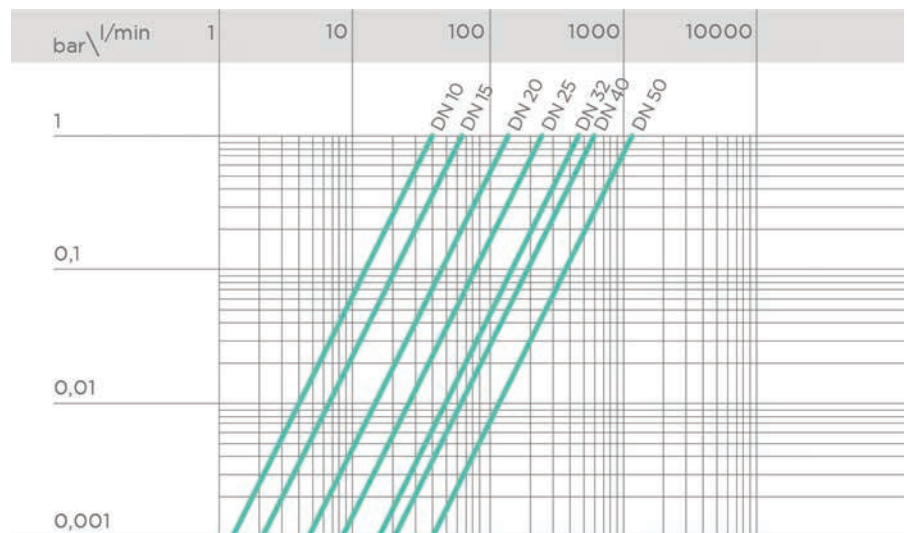
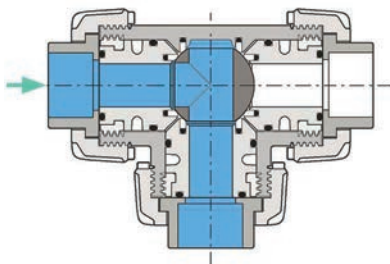
B - T-port ball valve:
90° - Diverting



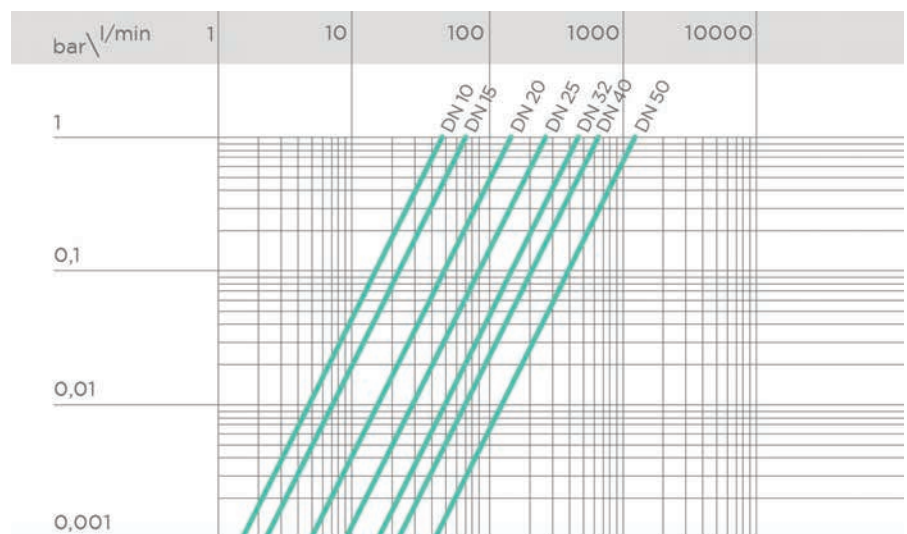
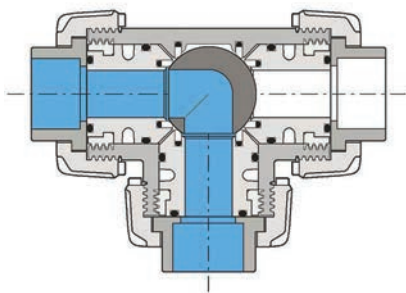
C - T-port ball valve:
180° - Branch closed/direct flow



D - T-port ball valve:
270° - Diverting



E - L-port ball valve:
0°/270° - Diverting





K_v100 FLOW COEFFICIENT

The K_v100 flow coefficient is the Q flow rate of litres per minute of water at a temperature of 20°C that will generate Δp= 1 bar pressure drop at a certain valve position. The Kv100 values shown in the table are calculated with the valve completely open.

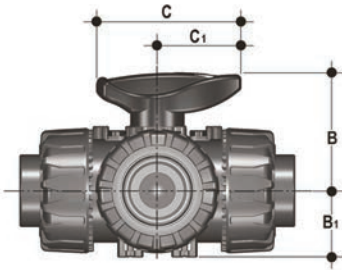
| DN | 10 | 15 | 20 | 25 | 32 | 40 | 50 |
|----|----|-----|-----|-----|------|------|------|
| A | 25 | 35 | 95 | 140 | 270 | 330 | 620 |
| B | 37 | 55 | 135 | 205 | 390 | 475 | 900 |
| C | 78 | 195 | 380 | 760 | 1050 | 1700 | 3200 |
| D | 40 | 65 | 145 | 245 | 460 | 600 | 1200 |
| E | 48 | 73 | 150 | 265 | 475 | 620 | 1220 |

OPERATING TORQUE AT MAXIMUM WORKING PRESSURE



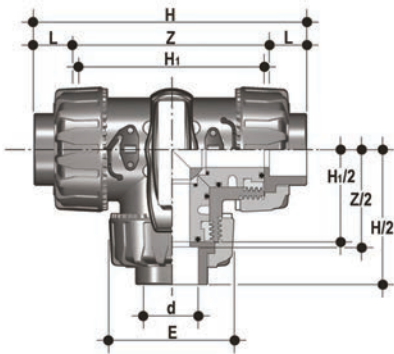
The information in this leaflet is provided in good faith. No liability will be accepted concerning technical data that is not directly covered by recognised international standards. FIP reserves the right to carry out any modification. Products must be installed and maintained by qualified personnel.

DIMENSIONS



Dimensions shared by all versions

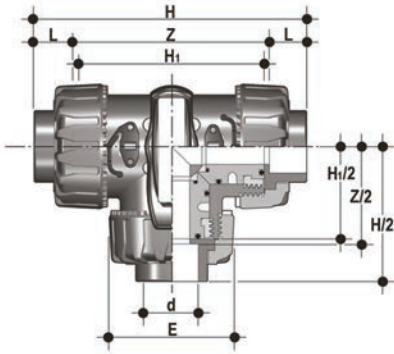
| d | DN | B | B ₁ | C | C ₁ |
|----|----|------|----------------|-----|----------------|
| 16 | 10 | 54 | 29 | 67 | 40 |
| 20 | 15 | 54 | 29 | 67 | 40 |
| 25 | 20 | 65 | 34,5 | 85 | 49 |
| 32 | 25 | 69,5 | 39 | 85 | 49 |
| 40 | 32 | 82,5 | 46 | 108 | 64 |
| 50 | 40 | 89 | 52 | 108 | 64 |
| 63 | 50 | 108 | 62 | 134 | 76 |



TKDIV

DUAL BLOCK® 3-way ball valve with metric plain socket ends for solvent welding, T bore.

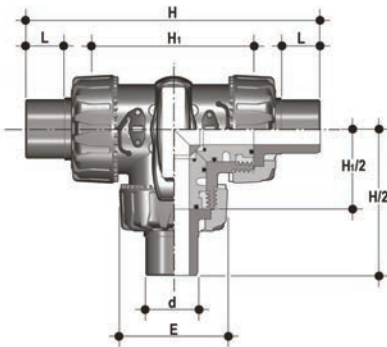
| d | DN | PN | E | H | H ₁ | L | Z | g | EPDM code | FKM code |
|----|----|----|-----|-------|----------------|----|-------|------|-----------|-----------|
| 16 | 10 | 16 | 54 | 118 | 80 | 14 | 90 | 310 | TKDIV016E | TKDIV016F |
| 20 | 15 | 16 | 54 | 118 | 80 | 16 | 86 | 310 | TKDIV020E | TKDIV020F |
| 25 | 20 | 16 | 65 | 145 | 100 | 19 | 107 | 550 | TKDIV025E | TKDIV025F |
| 32 | 25 | 16 | 73 | 160 | 110 | 22 | 116 | 790 | TKDIV032E | TKDIV032F |
| 40 | 32 | 16 | 86 | 188.5 | 131 | 26 | 136.5 | 1275 | TKDIV040E | TKDIV040F |
| 50 | 40 | 16 | 98 | 219 | 148 | 31 | 157 | 1660 | TKDIV050E | TKDIV050F |
| 63 | 50 | 16 | 122 | 266.5 | 179 | 38 | 190.5 | 2800 | TKDIV063E | TKDIV063F |



LKDIV

DUAL BLOCK® 3-way ball valve with metric plain socket ends for solvent welding, L bore.

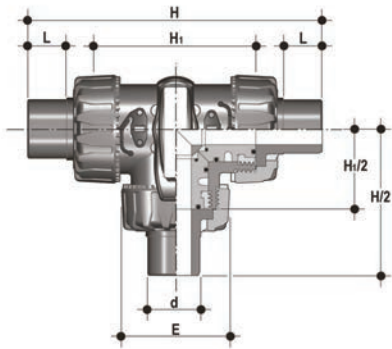
| d | DN | PN | E | H | H ₁ | L | Z | g | EPDM code | FKM code |
|----|----|----|-----|-------|----------------|----|-------|------|-----------|-----------|
| 16 | 10 | 16 | 54 | 118 | 80 | 14 | 90 | 310 | LKDIV016E | LKDIV016F |
| 20 | 15 | 16 | 54 | 118 | 80 | 16 | 86 | 310 | LKDIV020E | LKDIV020F |
| 25 | 20 | 16 | 65 | 145 | 100 | 19 | 107 | 550 | LKDIV025E | LKDIV025F |
| 32 | 25 | 16 | 73 | 160 | 110 | 22 | 116 | 790 | LKDIV032E | LKDIV032F |
| 40 | 32 | 16 | 86 | 188.5 | 131 | 26 | 136.5 | 1275 | LKDIV040E | LKDIV040F |
| 50 | 40 | 16 | 98 | 219 | 148 | 31 | 157 | 1660 | LKDIV050E | LKDIV050F |
| 63 | 50 | 16 | 122 | 266.5 | 179 | 38 | 190.5 | 2800 | LKDIV063E | LKDIV063F |



TKDDV

DUAL BLOCK® 3-way ball valve with metric plain spigot ends for solvent welding, T bore

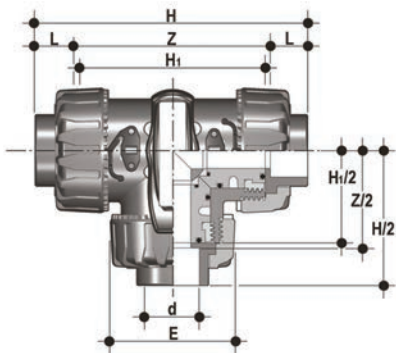
| d | DN | PN | E | H | H ₁ | L | g | EPDM code | FKM code |
|----|----|----|-----|-----|----------------|----|------|-----------|-----------|
| 20 | 15 | 16 | 54 | 140 | 80 | 16 | 320 | TKDDV020E | TKDDV020F |
| 25 | 20 | 16 | 65 | 175 | 100 | 19 | 565 | TKDDV025E | TKDDV025F |
| 32 | 25 | 16 | 73 | 188 | 110 | 22 | 810 | TKDDV032E | TKDDV032F |
| 40 | 32 | 16 | 86 | 220 | 131 | 26 | 1305 | TKDDV040E | TKDDV040F |
| 50 | 40 | 16 | 98 | 251 | 148 | 31 | 1700 | TKDDV050E | TKDDV050F |
| 63 | 50 | 16 | 122 | 294 | 179 | 38 | 2850 | TKDDV063E | TKDDV063F |



LKDDV

DUAL BLOCK® 3-way ball valve with metric plain spigot ends for solvent welding, L bore

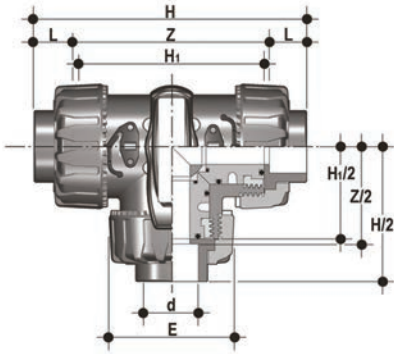
| d | DN | PN | E | H | H ₁ | L | g | EPDM code | FKM code |
|----|----|----|-----|-----|----------------|----|------|-----------|-----------|
| 20 | 15 | 16 | 54 | 140 | 80 | 16 | 320 | LKDDV020E | LKDDV020F |
| 25 | 20 | 16 | 65 | 175 | 100 | 19 | 565 | LKDDV025E | LKDDV025F |
| 32 | 25 | 16 | 73 | 188 | 110 | 22 | 810 | LKDDV032E | LKDDV032F |
| 40 | 32 | 16 | 86 | 220 | 131 | 26 | 1305 | LKDDV040E | LKDDV040F |
| 50 | 40 | 16 | 98 | 251 | 148 | 31 | 1700 | LKDDV050E | LKDDV050F |
| 63 | 50 | 16 | 122 | 294 | 179 | 38 | 2850 | LKDDV063E | LKDDV063F |



TKDLV

DUAL BLOCK® 3-way ball valve with BS plain socket ends for solvent welding, T bore.

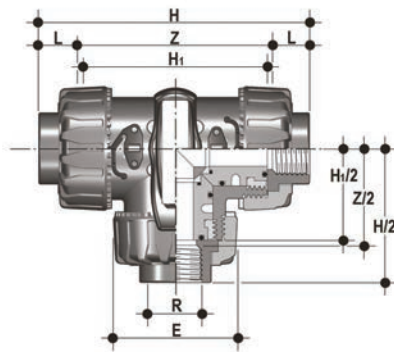
| d | DN | PN | E | H | H ₁ | L | Z | g | EPDM code | FKM code |
|--------|----|----|-----|-------|----------------|------|-------|------|-----------|-----------|
| 3/8" | 10 | 16 | 54 | 118 | 80 | 14.7 | 88.6 | 310 | TKDLV038E | TKDLV038F |
| 1/2" | 15 | 16 | 54 | 118 | 80 | 17 | 85 | 310 | TKDLV012E | TKDLV012F |
| 3/4" | 20 | 16 | 65 | 144.8 | 100 | 19 | 106.8 | 550 | TKDLV034E | TKDLV034F |
| 1" | 25 | 16 | 73 | 160 | 110 | 22.5 | 115 | 790 | TKDLV100E | TKDLV100F |
| 1" 1/4 | 32 | 16 | 86 | 188.6 | 131 | 26 | 136.6 | 1275 | TKDLV114E | TKDLV114F |
| 1" 1/2 | 40 | 16 | 98 | 219.4 | 148 | 30.2 | 159 | 1660 | TKDLV112E | TKDLV112F |
| 2" | 50 | 16 | 122 | 266.6 | 179 | 36.2 | 194.2 | 2800 | TKDLV200E | TKDLV200F |



LKDLV

DUAL BLOCK® 3-way ball valve with BS plain socket ends for solvent welding, L bore.

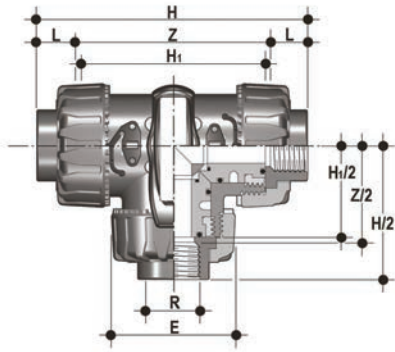
| d | DN | PN | E | H | H _i | L | Z | g | EPDM code | FKM code |
|--------|----|----|-----|-------|----------------|------|-------|------|-----------|-----------|
| 3/8" | 10 | 16 | 54 | 118 | 80 | 14.7 | 88.6 | 310 | LKDLV038E | LKDLV038F |
| 1/2" | 15 | 16 | 54 | 118 | 80 | 17 | 85 | 310 | LKDLV012E | LKDLV012F |
| 3/4" | 20 | 16 | 65 | 144.8 | 100 | 19 | 106.8 | 550 | LKDLV034E | LKDLV034F |
| 1" | 25 | 16 | 73 | 160 | 110 | 22.5 | 115 | 790 | LKDLV100E | LKDLV100F |
| 1" 1/4 | 32 | 16 | 86 | 188.6 | 131 | 26 | 136.6 | 1275 | LKDLV114E | LKDLV114F |
| 1" 1/2 | 40 | 16 | 98 | 219.4 | 148 | 30.2 | 159 | 1660 | LKDLV112E | LKDLV112F |
| 2" | 50 | 16 | 122 | 266.6 | 179 | 36.2 | 194.2 | 2800 | LKDLV200E | LKDLV200F |



TKDFV

DUAL BLOCK® 3-way ball valve with BS parallel socket threaded ends, T bore.

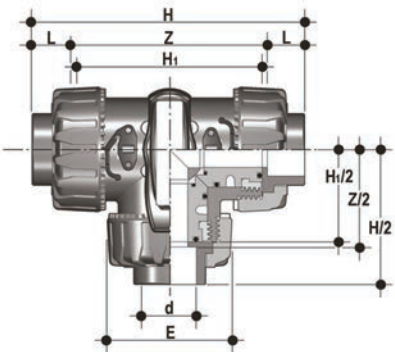
| R | DN | PN | E | H | H _i | L | Z | g | EPDM code | FKM code |
|--------|----|----|-----|-------|----------------|------|-----|------|-----------|-----------|
| 3/8" | 10 | 16 | 54 | 118 | 80 | 11.4 | 95 | 310 | TKDFV038E | TKDFV038F |
| 1/2" | 15 | 16 | 54 | 125 | 80 | 15 | 95 | 310 | TKDFV012E | TKDFV012F |
| 3/4" | 20 | 16 | 65 | 146 | 100 | 16.3 | 114 | 550 | TKDFV034E | TKDFV034F |
| 1" | 25 | 16 | 73 | 166 | 110 | 19.1 | 129 | 790 | TKDFV100E | TKDFV100F |
| 1" 1/4 | 32 | 16 | 86 | 195.5 | 131 | 21.4 | 151 | 1275 | TKDFV114E | TKDFV114F |
| 1" 1/2 | 40 | 16 | 98 | 211 | 148 | 21.4 | 166 | 1660 | TKDFV112E | TKDFV112F |
| 2" | 50 | 16 | 122 | 253.5 | 179 | 25.7 | 199 | 2800 | TKDFV200E | TKDFV200F |



LKDFV

DUAL BLOCK® 3-way ball valve with BS parallel socket threaded ends, L bore.

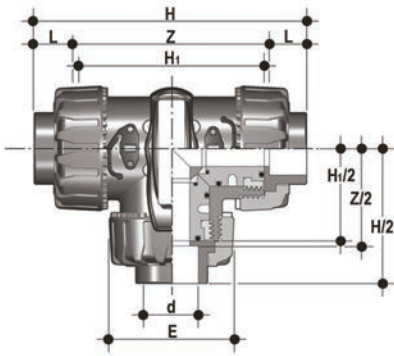
| R | DN | PN | E | H | H ₁ | L | Z | g | EPDM code | FKM code |
|--------|----|----|-----|-------|----------------|------|-----|------|-----------|-----------|
| 3/8" | 10 | 16 | 54 | 118 | 80 | 11.4 | 95 | 310 | LKDFV038E | LKDFV038F |
| 1/2" | 15 | 16 | 54 | 125 | 80 | 15 | 95 | 310 | LKDFV012E | LKDFV012F |
| 3/4" | 20 | 16 | 65 | 146 | 100 | 16.3 | 114 | 550 | LKDFV034E | LKDFV034F |
| 1" | 25 | 16 | 73 | 166 | 110 | 19.1 | 129 | 790 | LKDFV100E | LKDFV100F |
| 1" 1/4 | 32 | 16 | 86 | 195.5 | 131 | 21.4 | 151 | 1275 | LKDFV114E | LKDFV114F |
| 1" 1/2 | 40 | 16 | 98 | 211 | 148 | 21.4 | 166 | 1660 | LKDFV112E | LKDFV112F |
| 2" | 50 | 16 | 122 | 253.5 | 179 | 25.7 | 199 | 2800 | LKDFV200E | LKDFV200F |



TKDAV

DUAL BLOCK® 3-way ball valve with female ends for solvent welding, ASTM series, T-port ball.

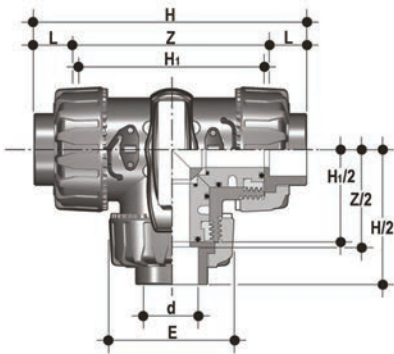
| d | DN | PN | E | H | H ₁ | L | Z | g | EPDM code | FKM code |
|--------|----|----|-----|-------|----------------|------|-------|------|-----------|-----------|
| 3/8" | 10 | 16 | 54 | 132.2 | 80 | 19.5 | 93.2 | 310 | TKDAV038E | TKDAV038F |
| 1/2" | 15 | 16 | 54 | 132.2 | 80 | 23 | 87.2 | 310 | TKDAV012E | TKDAV012F |
| 3/4" | 20 | 16 | 65 | 159.2 | 100 | 25.5 | 108.2 | 550 | TKDAV034E | TKDAV034F |
| 1" | 25 | 16 | 73 | 174 | 110 | 28.7 | 116.6 | 790 | TKDAV100E | TKDAV100F |
| 1" 1/4 | 32 | 16 | 86 | 205 | 131 | 32 | 141 | 1275 | TKDAV114E | TKDAV114F |
| 1" 1/2 | 40 | 16 | 98 | 227.6 | 148 | 35 | 157.6 | 1660 | TKDAV112E | TKDAV112F |
| 2" | 50 | 16 | 122 | 267 | 179 | 38.2 | 190.6 | 2800 | TKDAV200E | TKDAV200F |



LKDAV

DUAL BLOCK® 3-way ball valve with female ends for solvent welding, ASTM series, L-port ball.

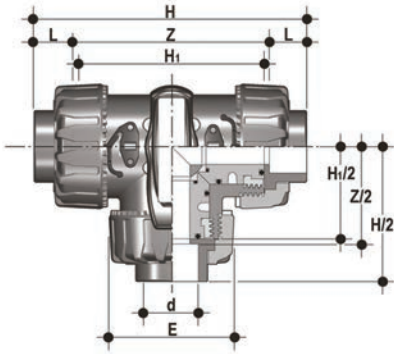
| d | DN | PN | E | H | H _i | L | Z | g | EPDM code | FKM code |
|--------|----|----|-----|-------|----------------|------|-------|------|-----------|-----------|
| 3/8" | 10 | 16 | 54 | 132,2 | 80 | 19,5 | 93,2 | 310 | LKDAV038E | LKDAV038F |
| 1/2" | 15 | 16 | 54 | 132,2 | 80 | 23 | 87,2 | 310 | LKDAV012E | LKDAV012F |
| 3/4" | 20 | 16 | 65 | 159,2 | 100 | 25,5 | 108,2 | 550 | LKDAV034E | LKDAV034F |
| 1" | 25 | 16 | 73 | 174 | 110 | 28,7 | 116,6 | 790 | LKDAV100E | LKDAV100F |
| 1" 1/4 | 32 | 16 | 86 | 205 | 131 | 32 | 141 | 1275 | LKDAV114E | LKDAV114F |
| 1" 1/2 | 40 | 16 | 98 | 227,6 | 148 | 35 | 157,6 | 1660 | LKDAV112E | LKDAV112F |
| 2" | 50 | 16 | 122 | 267 | 179 | 38,2 | 190,6 | 2800 | LKDAV200E | LKDAV200F |



TKDJV

DUAL BLOCK® 3-way ball valve with female ends for solvent welding, JIS series, T-port ball

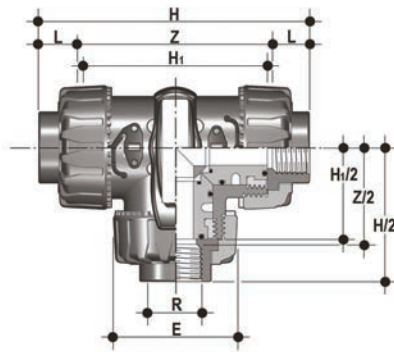
| d | DN | PN | E | H | H _i | L | Z | g | EPDM code | FKM code |
|--------|----|----|-----|-------|----------------|----|-------|------|-----------|-----------|
| 1/2" | 15 | 16 | 54 | 146 | 80 | 30 | 86 | 310 | TKDJV012E | TKDJV012F |
| 3/4" | 20 | 16 | 65 | 177 | 100 | 35 | 107 | 550 | TKDJV034E | TKDJV034F |
| 1" | 25 | 16 | 73 | 196 | 110 | 40 | 116 | 790 | TKDJV100E | TKDJV100F |
| 1" 1/4 | 32 | 16 | 86 | 225 | 131 | 44 | 137 | 1275 | TKDJV114E | TKDJV114F |
| 1" 1/2 | 40 | 16 | 98 | 267,2 | 148 | 55 | 157,2 | 1660 | TKDJV112E | TKDJV112F |
| 2" | 50 | 16 | 122 | 316 | 179 | 63 | 190 | 2800 | TKDJV200E | TKDJV200F |



LKDJV

DUAL BLOCK® 3-way ball valve with female ends for solvent welding, JIS series, L-port ball

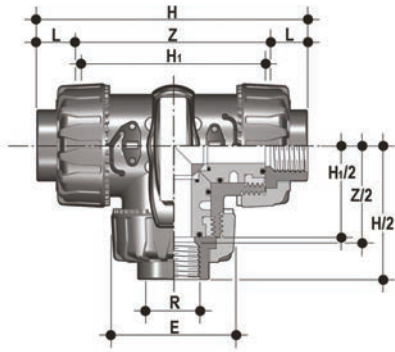
| d | DN | PN | E | H | H ₁ | L | Z | g | EPDM code | FKM code |
|--------|----|----|-----|-------|----------------|----|-------|------|-----------|-----------|
| 1/2" | 15 | 16 | 54 | 146 | 80 | 30 | 86 | 310 | LKDJV012E | LKDJV012F |
| 3/4" | 20 | 16 | 65 | 177 | 100 | 35 | 107 | 550 | LKDJV034E | LKDJV034F |
| 1" | 25 | 16 | 73 | 196 | 110 | 40 | 116 | 790 | LKDJV100E | LKDJV100F |
| 1" 1/4 | 32 | 16 | 86 | 225 | 131 | 44 | 137 | 1275 | LKDJV114E | LKDJV114F |
| 1" 1/2 | 40 | 16 | 98 | 267.2 | 148 | 55 | 157.2 | 1660 | LKDJV112E | LKDJV112F |
| 2" | 50 | 16 | 122 | 316 | 179 | 63 | 190 | 2800 | LKDJV200E | LKDJV200F |



TKDNV

DUAL BLOCK® 3-way ball valve with female ends, NPT thread, T-port ball.

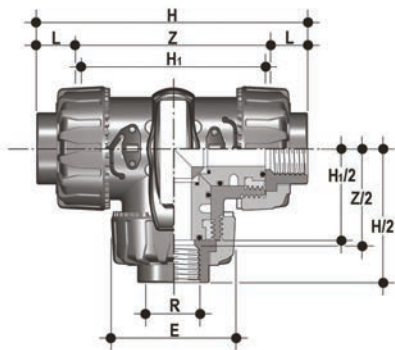
| R | DN | PN | E | H | H ₁ | L | Z | g | EPDM code | FKM code |
|--------|----|----|-----|-------|----------------|------|-------|------|-----------|-----------|
| 3/8" | 10 | 16 | 54 | 118 | 80 | 13.7 | 90.6 | 310 | TKDNV038E | TKDNV038F |
| 1/2" | 15 | 16 | 54 | 126 | 80 | 18 | 90.4 | 310 | TKDNV012E | TKDNV012F |
| 3/4" | 20 | 16 | 65 | 146.4 | 100 | 18 | 110.4 | 550 | TKDNV034E | TKDNV034F |
| 1" | 25 | 16 | 73 | 166.6 | 110 | 22.6 | 121.4 | 790 | TKDNV100E | TKDNV100F |
| 1" 1/4 | 32 | 16 | 86 | 195.8 | 131 | 25.1 | 145.6 | 1275 | TKDNV114E | TKDNV114F |
| 1" 1/2 | 40 | 16 | 98 | 211.4 | 148 | 24.7 | 162 | 1660 | TKDNV112E | TKDNV112F |
| 2" | 50 | 16 | 122 | 253.8 | 179 | 29.6 | 194.6 | 2800 | TKDNV200E | TKDNV200F |



LKDNV

DUAL BLOCK® 3-way ball valve with female ends, NPT thread, L-port ball.

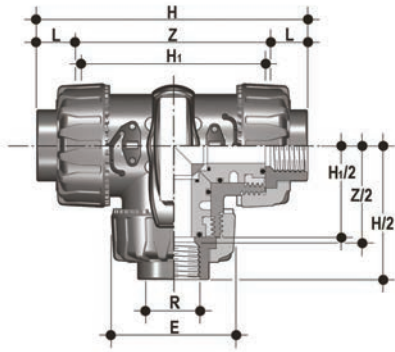
| R | DN | PN | E | H | H ₁ | L | Z | g | EPDM code | FKM code |
|--------|----|----|-----|-------|----------------|------|-------|------|-----------|-----------|
| 3/8" | 10 | 16 | 54 | 118 | 80 | 13.7 | 90.6 | 310 | LKDNV038E | LKDNV038F |
| 1/2" | 15 | 16 | 54 | 126 | 80 | 18 | 90.4 | 310 | LKDNV012E | LKDNV012F |
| 3/4" | 20 | 16 | 65 | 146.4 | 100 | 18 | 110.4 | 550 | LKDNV034E | LKDNV034F |
| 1" | 25 | 16 | 73 | 166.6 | 110 | 22.6 | 121.4 | 790 | LKDNV100E | LKDNV100F |
| 1" 1/4 | 32 | 16 | 86 | 195.8 | 131 | 25.1 | 145.6 | 1275 | LKDNV114E | LKDNV114F |
| 1" 1/2 | 40 | 16 | 98 | 211.4 | 148 | 24.7 | 162 | 1660 | LKDNV112E | LKDNV112F |
| 2" | 50 | 16 | 122 | 253.8 | 179 | 29.6 | 194.6 | 2800 | LKDNV200E | LKDNV200F |



TKDGV

DUAL BLOCK® 3-way ball valve with female ends, JIS thread, T-port ball

| R | DN | PN | E | H | H ₁ | L | Z | g | EPDM code | FKM code |
|--------|----|----|-----|-------|----------------|----|-------|------|-----------|-----------|
| 1/2" | 15 | 16 | 54 | 118 | 80 | 16 | 86 | 310 | TKDGV012E | TKDGV012F |
| 3/4" | 20 | 16 | 65 | 144.8 | 100 | 19 | 106.8 | 550 | TKDGV034E | TKDGV034F |
| 1" | 25 | 16 | 73 | 160 | 110 | 22 | 116 | 790 | TKDGV100E | TKDGV100F |
| 1" 1/4 | 32 | 16 | 86 | 188.6 | 131 | 25 | 138.6 | 1275 | TKDGV114E | TKDGV114F |
| 1" 1/2 | 40 | 16 | 98 | 219.4 | 148 | 26 | 167.4 | 1660 | TKDGV112E | TKDGV112F |
| 2" | 50 | 16 | 122 | 266.6 | 179 | 31 | 204.6 | 2800 | TKDGV200E | TKDGV200F |



LKDGV

DUAL BLOCK® 3-way ball valve with female ends, JIS thread, L-port ball

| R | DN | PN | E | H | H ₁ | L | Z | g | EPDM code | FKM code |
|--------|----|----|-----|-------|----------------|----|-------|------|-----------|-----------|
| 1/2" | 15 | 16 | 54 | 118 | 80 | 16 | 86 | 310 | LKDGV012E | LKDGV012F |
| 3/4" | 20 | 16 | 65 | 144,8 | 100 | 19 | 106,8 | 550 | LKDGV034E | LKDGV034F |
| 1" | 25 | 16 | 73 | 160 | 110 | 22 | 116 | 790 | LKDGV100E | LKDGV100F |
| 1" 1/4 | 32 | 16 | 86 | 188,6 | 131 | 25 | 138,6 | 1275 | LKDGV114E | LKDGV114F |
| 1" 1/2 | 40 | 16 | 98 | 219,4 | 148 | 26 | 167,4 | 1660 | LKDGV112E | LKDGV112F |
| 2" | 50 | 16 | 122 | 266,6 | 179 | 31 | 204,6 | 2800 | LKDGV200E | LKDGV200F |