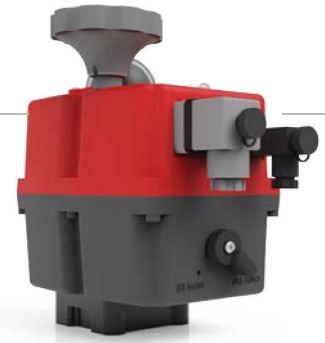


J4C 85 - GENERAL CHARACTERISTICS



Technical Data	
Operation time unload	29 Sec. /90° (+/- 10%)
Maximum torque break	90 Nm / 796,3 lb/in
Maximum operational torque	85 Nm / 752 lb/in
Duty rating	75%
Max. Working angle	0° to 270°
Limit switch	4 SPST NO micro (2 motor stop and 2 confirmations)
Automatic heater	3,5 W
Big Plug	EN 175301-803 FORM A
Small Plug	DIN43650/C
Protection IEC 60529 rating	IP67
Temperature	-20°C +70°C / -4°F +158°F
ISO 5211 Plate	Standard: F05/F07
DIN 3337 Female output drive	Standard: *17 Optional: *14mm
Weight	2,84 kg

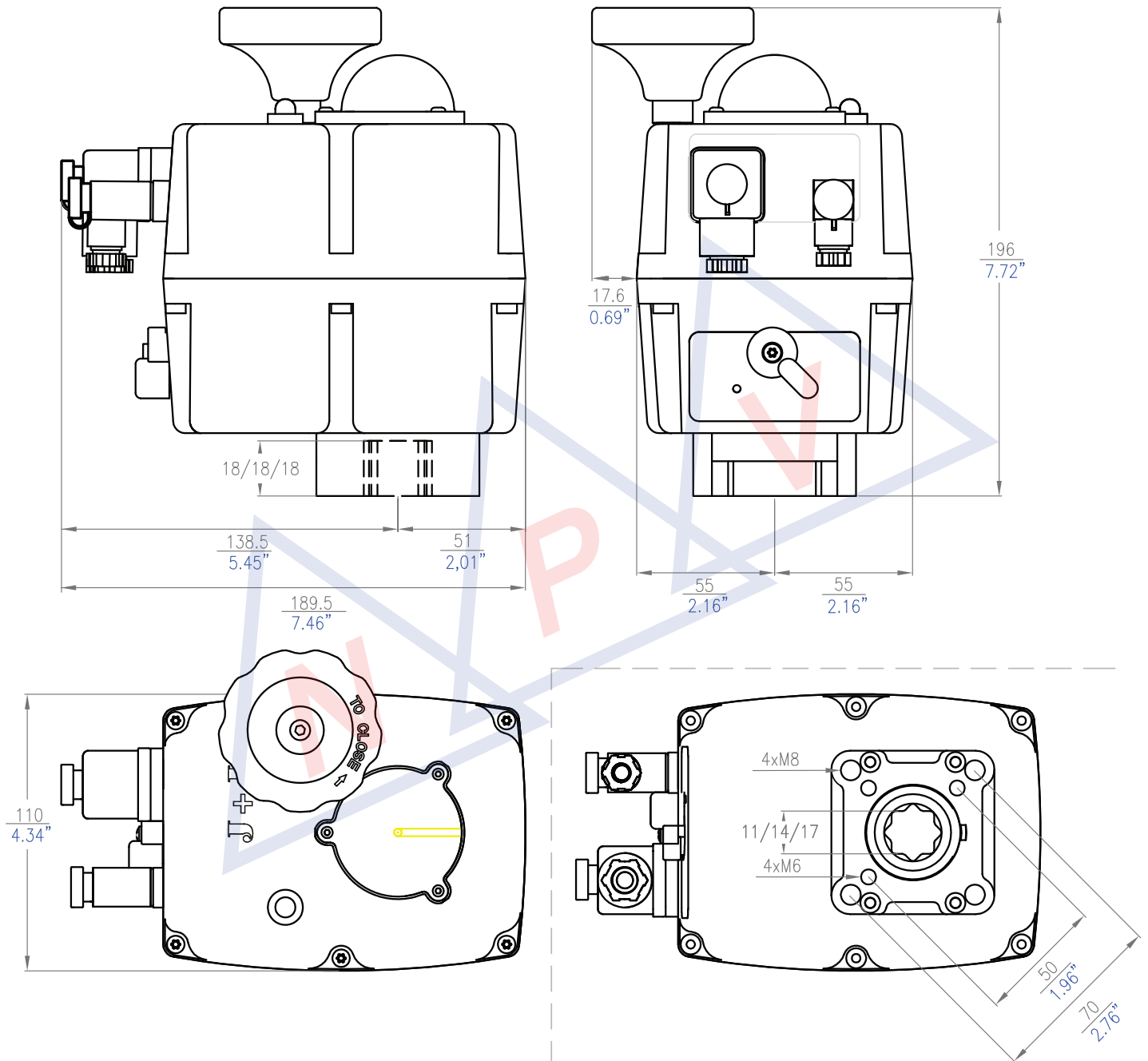
Electronic Data	
Electronic Torque Limiter function	
Electric motor	24VDC Brushless motor
Insulation	Class B
(IEC 60034) Service	S4
Voltage VDC/VAC 50/60Hz -0%+5%	
S85	24-240 VDC/VAC
B85	12 VDC/VAC ONLY

Options	
J4C 20/85 DPS KIT digital positioner	4-20mA, 0-20mA, 0-10V or 1-10V
J4C 20/85 BSR KIT emergency fail safe kit system by battery	NC - NO
Potentiometer	1K, 5K or 10K
3 position actuator	0°-45°-90° or 0°-90°-180°

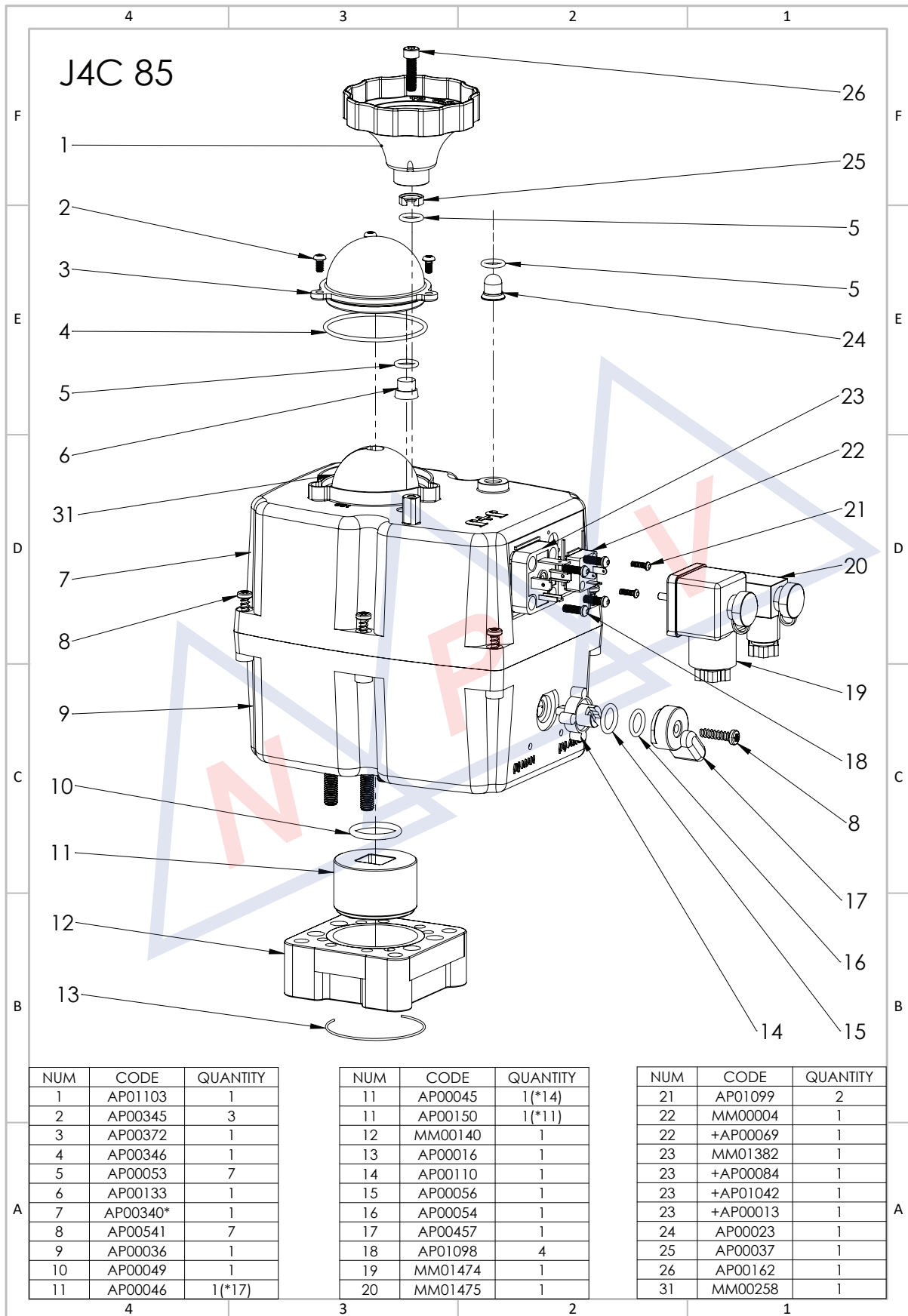
Materials	Standard	Optional
Body	Anticorrosive Polyamide, Grey colour	Polypropilene V0, Black colour
Cover	Anticorrosive Polyamide, Red colour	Polypropilene V0, Natural colour
Output drive	Zamak, Zinc plated	Zamak, TEFLON coated
Flange	Aluminum and Cataphoresis	Aluminum and TEFLON coated
Main external shaft	Stainless Steel	-
External screws	Stainless Steel	-
Gears	Steel and Polyamide	-
Visual position indicator	Polyamide	-
Dome	Polycarbonate	-
Adjustable internal cams	Polyamide	-

Note: Technical data are the same despite the different casings.

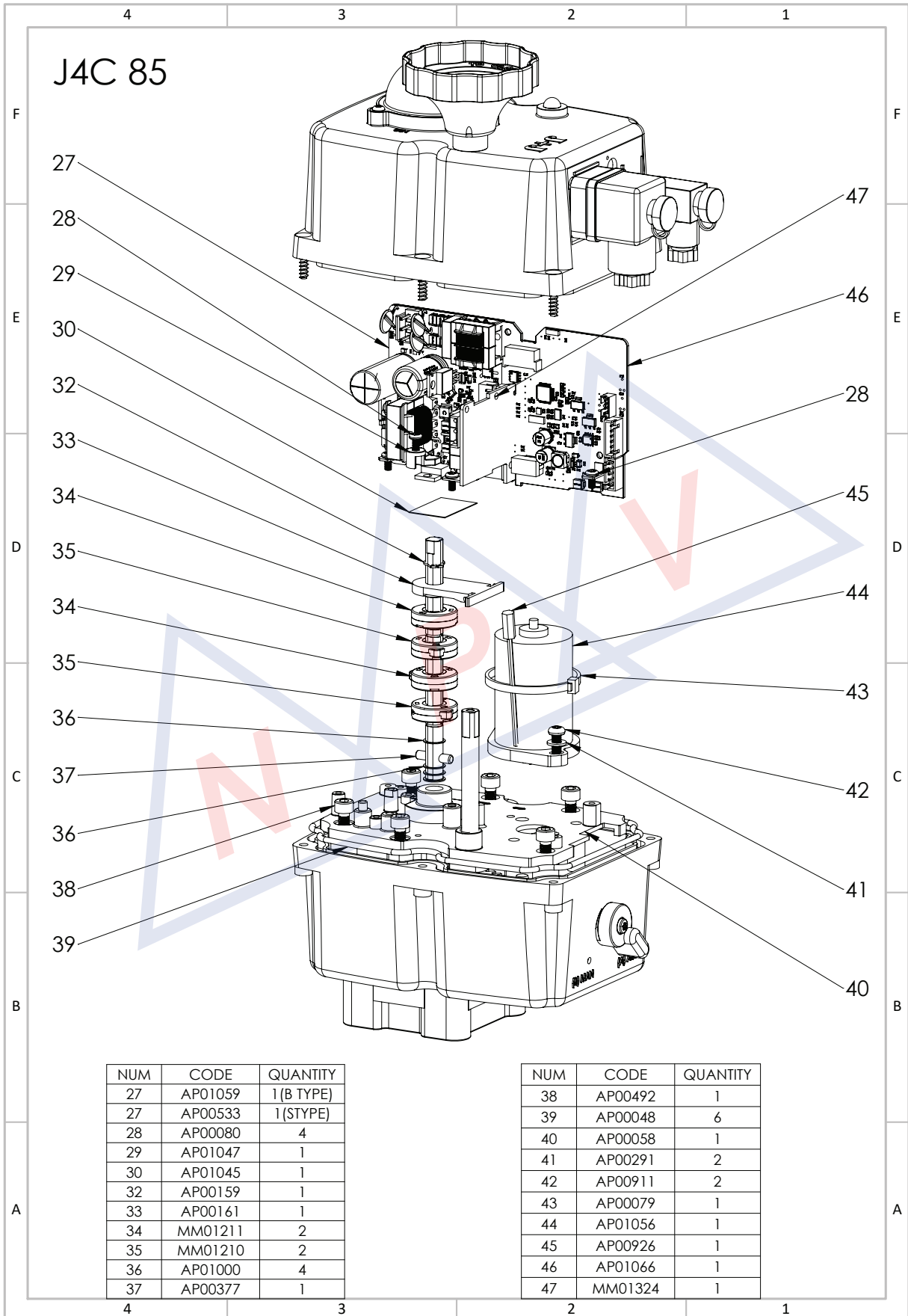
J4C 85 SIZES



EXPLODED VIEW



EXPLODED VIEW



EXPLODED VIEW

