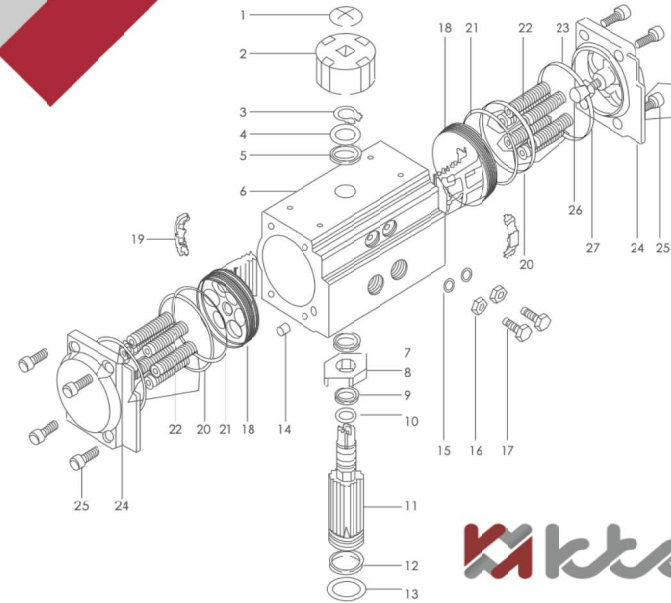
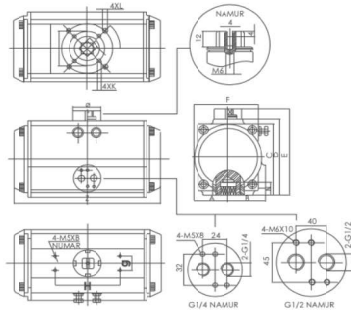


Pneumatic actuator



Output torque of double acting actuators (BAR/Nm)

| Model | 2 | 2.5 | 3 | 4 | 4.5 | 5 | 5.5 | 6 | 7 | 8 |
|----------|--------|--------|--------|--------|--------|--------|--------|--------|--------|--------|
| KT020DA | 8.0 | 10.0 | 12.0 | 14.0 | 18.0 | 20.0 | 21.9 | 23.9 | 27.9 | 31.9 |
| KT035DA | 14.6 | 18.2 | 21.9 | 29.2 | 32.8 | 36.5 | 40.1 | 43.8 | 51.1 | 58.4 |
| KT050DA | 20.1 | 25.1 | 30.1 | 40.1 | 45.1 | 50.2 | 55.2 | 60.2 | 70.2 | 80.3 |
| KT075DA | 31.4 | 39.2 | 47.0 | 62.7 | 70.5 | 78.4 | 86.2 | 94.1 | 109.7 | 125.4 |
| KT110DA | 45.1 | 56.4 | 67.7 | 90.3 | 101.6 | 112.9 | 124.1 | 135.4 | 158.0 | 180.6 |
| KT160DA | 66.1 | 82.7 | 99.2 | 132.2 | 148.8 | 165.3 | 181.8 | 198.4 | 231.4 | 264.5 |
| KT255DA | 100.3 | 125.4 | 150.5 | 200.6 | 225.7 | 250.8 | 275.9 | 301.0 | 351.1 | 401.3 |
| KT435DA | 171.0 | 213.8 | 256.5 | 342.0 | 384.8 | 427.5 | 470.3 | 513.0 | 598.3 | 684.0 |
| KT665DA | 266.0 | 332.5 | 399.0 | 532.0 | 598.5 | 665.0 | 731.5 | 798.0 | 931.0 | 1064.0 |
| KT1000DA | 425.6 | 532.0 | 638.4 | 851.2 | 957.6 | 1064.0 | 1170.4 | 1276.8 | 1489.6 | 1702.4 |
| KT1200DA | 532.0 | 665.0 | 798.0 | 1064.0 | 1197.0 | 1330.0 | 1463.0 | 1596.0 | 1862.0 | 2128.0 |
| KT1300DA | 769.5 | 961.9 | 1154.3 | 1539.0 | 1731.4 | 1923.8 | 2116.1 | 2308.5 | 2693.3 | 3078.0 |
| KT2700DA | 1169.5 | 1462.1 | 1754.5 | 2339.3 | 2631.7 | 2924.1 | 3216.5 | 3508.9 | 4093.7 | 4678.6 |

| Model | A | B | C | D | E | F | G | H | I | J | K | L | M | N | Z | ø | Air connection |
|----------|------|------|-------|-------|-------|-------|----|-----|------|------|--------|--------|----|-----|-----|----------------------------|----------------|
| KT020DA | 30 | 41.5 | 65.5 | 72 | 92 | 65 | 30 | 80 | ±36 | ±50 | M5x8 | M6x10 | 11 | 14 | 147 | ±40 | NAMUR G1/4" |
| KT035DA | 36 | 47 | 81 | 87.5 | 107.5 | 72 | 30 | 80 | ±50 | ±70 | M6x10 | M8x13 | 14 | 18 | 168 | ±40 | NAMUR G1/4" |
| KT050DA | 42 | 53 | 94 | 99.5 | 119.5 | 81 | 30 | 80 | ±50 | ±70 | M6x10 | M8x13 | 14 | 18 | 184 | ±40 | NAMUR G1/4" |
| KT075DA | 46 | 57 | 98.5 | 108.7 | 128.7 | 92 | 30 | 80 | ±50 | ±70 | M6x10 | M8x13 | 17 | 21 | 204 | ±40 | NAMUR G1/4" |
| KT110DA | 50 | 58.5 | 111 | 116.5 | 136.5 | 98 | 30 | 80 | ±50 | ±70 | M6x10 | M8x13 | 17 | 21 | 262 | ±40 | NAMUR G1/4" |
| KT160DA | 57.5 | 64 | 122.5 | 133 | 153 | 109.5 | 30 | 80 | ±70 | ±102 | M8x13 | M10x16 | 22 | 26 | 268 | ±40 | NAMUR G1/4" |
| KT255DA | 67.5 | 74.5 | 145.5 | 155 | 175 | 127.5 | 30 | 80 | ±70 | ±102 | M8x13 | M10x16 | 22 | 26 | 301 | ±55 | NAMUR G1/4" |
| KT435DA | 75 | 77 | 161 | 172 | 192 | 137.5 | 30 | 80 | ±102 | ±125 | M10x16 | M12x20 | 27 | 31 | 390 | ±55 | NAMUR G1/4" |
| KT665DA | 87 | 87 | 184 | 197 | 217 | 158 | 30 | 80 | ±102 | ±125 | M10x16 | M12x20 | 27 | 31 | 458 | ±55 | NAMUR G1/4" |
| KT1000DA | 103 | 103 | 216 | 230 | 260 | 189 | 30 | 130 | ±140 | | M16x25 | 36 | 50 | 525 | ±80 | NAMUR G1/4" | |
| KT1200DA | 113 | 113 | 235.5 | 255 | 285 | 210 | 30 | 130 | ±140 | | M16x25 | 36 | 50 | 532 | ±80 | NAMUR G1/4" | |
| KT1800DA | 130 | 130 | 264.5 | 289 | 319 | 245 | 30 | 130 | ±165 | | M20x25 | 46 | 60 | 602 | ±80 | NAMUR G1/4" | |
| KT2700DA | 147 | 147 | 299 | 326 | 356 | 273 | 30 | 130 | ±165 | | M20x25 | 46 | 60 | 722 | ±80 | NAMUR G1/2" NAMUR G1/4" | |

| No. | Description | Qty | Standard Material | Protection | Optional Material |
|-----|----------------------|------|-------------------------|-----------------------------|-------------------|
| 1 | Indicator screw | 1 | Plastic | | |
| 2 | Indicator | 1 | Plastic | | |
| 3 | Spring clip | 1 | Stainless Steel | | |
| 4 | Thrust washer | 1 | Stainless Steel | | |
| 5 | Outside washer | 1 | Engineering plastics | | |
| 6 | Body | 1 | Extruded aluminum alloy | Hard anodized etc | |
| 7 | Inside washer | 1 | Engineering plastics | | |
| 8 | Cam | 1 | Alloy steel | | |
| 9 | O-ring(Pinion top) | 1 | NBR | | viton/silicone |
| 10 | Bearing(Pinion top) | 1 | Engineering plastics | | |
| 11 | Pinion | 1 | Alloy steel | Nickel plated | Stainless Steel |
| 12 | O-ring(Pinion top) | 2 | Engineering plastics | | |
| 13 | Bearing(Pinion top) | 2 | NBR | | Stainless Steel |
| 14 | Plug | 2 | NBR | | Stainless Steel |
| 15 | O-ring(Adjust screw) | 2 | NBR | | Stainless Steel |
| 16 | Nut(Adjust screw) | 2 | Stainless Steel | | |
| 17 | Adjust screw | 2 | Stainless Steel | | |
| 18 | Piston | 2 | Cast aluminum/casting | Anodized/zinc galvanized | Stainless Steel |
| 19 | Guide(Piston) | 2 | Engineering plastics | | |
| 20 | Bearing(Piston) | 2 | Engineering plastics | | |
| 21 | O-ring(Pinion) | 2 | NBR | | viton/silicone |
| 22 | Spring | 0-12 | Spring steel | Dip coating | |
| 23 | O-ring(End cap) | 2 | NBR | | viton/silicone |
| 24 | End cap | 2 | Cast aluminum | Power polyester painted etc | |
| 25 | Cap screw | 8 | Stainless Steel | | |
| 26 | Stop screw | 2 | Stainless Steel | | |
| 27 | Nut(Stop screw) | 2 | Stainless Steel | | |