

# Datasheet - J4C 35

## GENERAL CHARACTERISTICS

**Housing:** Anticorrosive polyamide (lid & body)  
**Main external shaft:** stainless steel  
**External screws:** stainless steel  
**Gears:** Steel and polyamide  
**Visual position indicator:** Polyamide

**Dome:** Polycarbonate  
**Adjustable internal cams:** Polyamide  
**Electric motor:** 24VDC Brushless motor  
**Insulation:** Class B  
**(IEC 60034) Service:** S4



Model	S35	B35	H35
Voltage VDC/VAC 50/60Hz-0/+5%	24-240 VAC / 24-135 VDC	12 VDC/VAC ONLY	85- 240 VAC/VDC

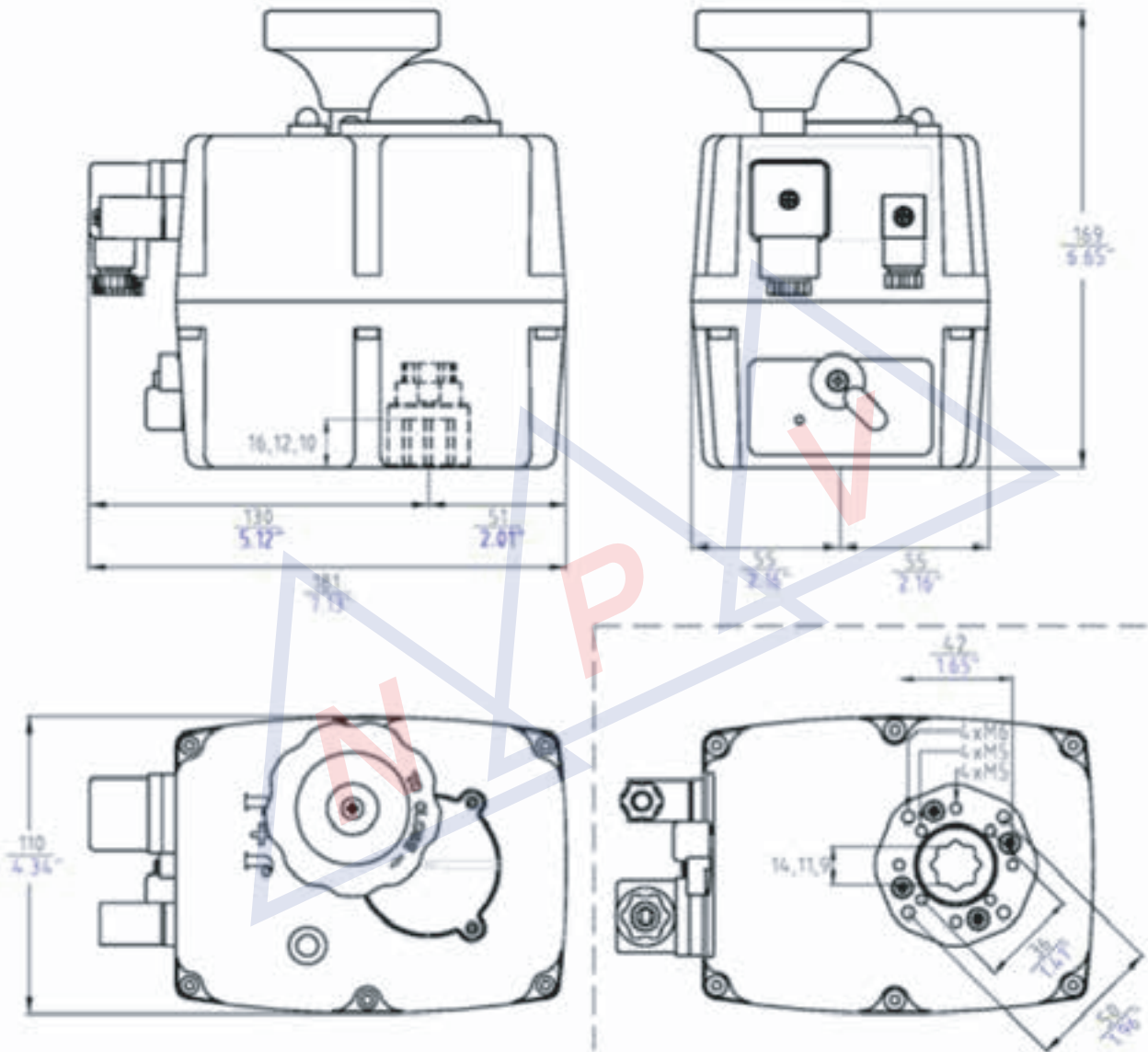
Model	S35/B35/H35
Operation time unload	9 Sec./90°
Maximum torque break	38 Nm / 359,3 lb/in
Maximum operational torque	35 Nm / 309 lb/in
Duty rating	75 %
Max. Working angle	0° to 270°
Limit switch	4 SPST NO micro (2 motor stop and 2 confirmations)
Automatic heater	3,5 W
Big Plug	EN175301-803 FORM A
Small Plug	DIN43650/C
Protection IEC 60529 rating	IP67
Temperature	-20°C +70°C / -4°F +158°F
ISO 5211 Plate	Standard: F03/F04/F05 Optional: F07 *17mm
DIN 3337 Female output drive	Standard: *14 Optional: *9, *11mm
Weight	1,9 Kg

## Options

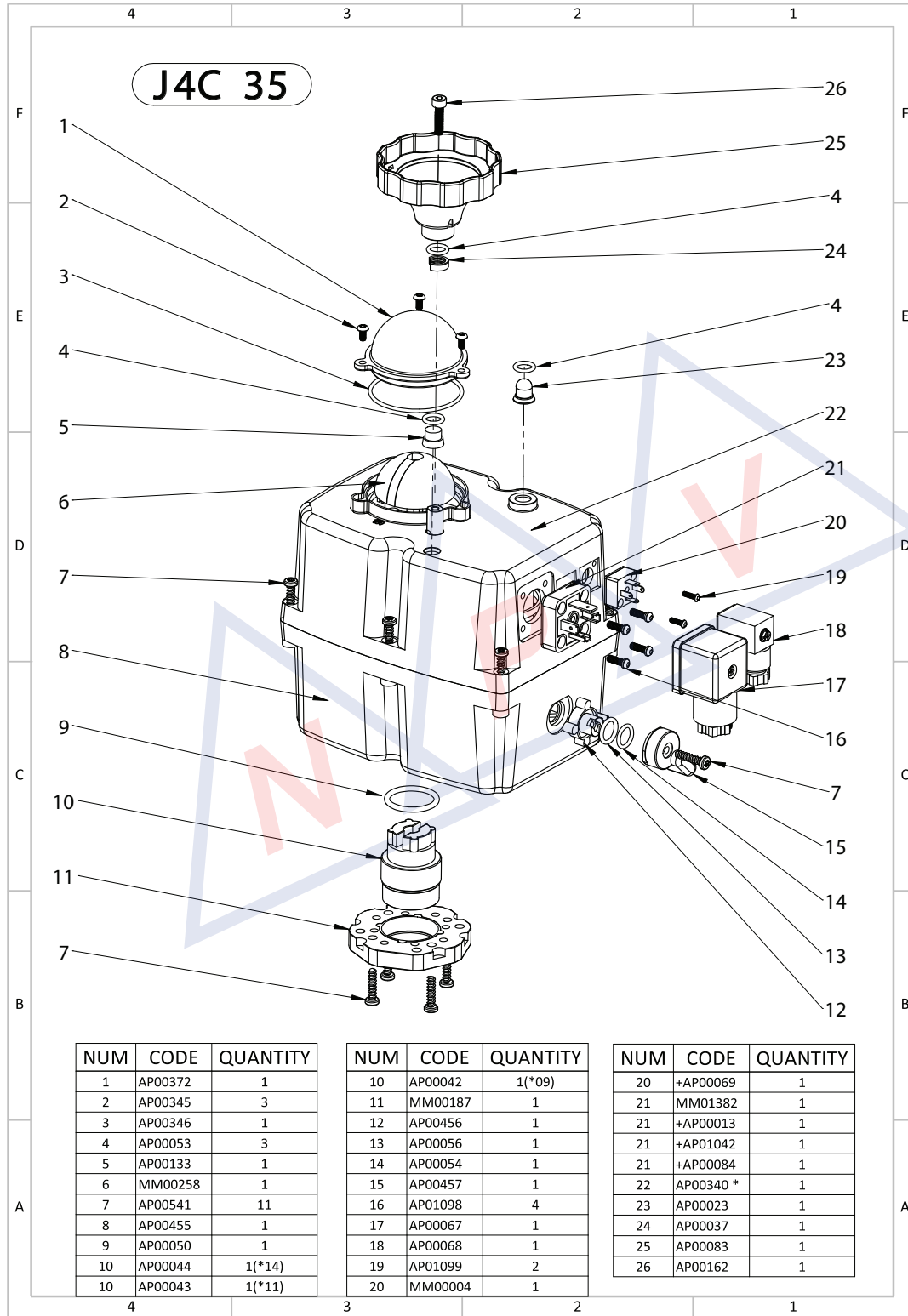
J4C 20/85 KIT DPS digital positioner:	4-20mA, 0-20mA, 0-10V or 1-10V
J4C 20/85 KIT BSR emergency fail safe kit system by battery	NC- NO
Potentiometer	1K, 5K or 10K
3 position actuator	0°-45°-90° or 0°-90°-180°



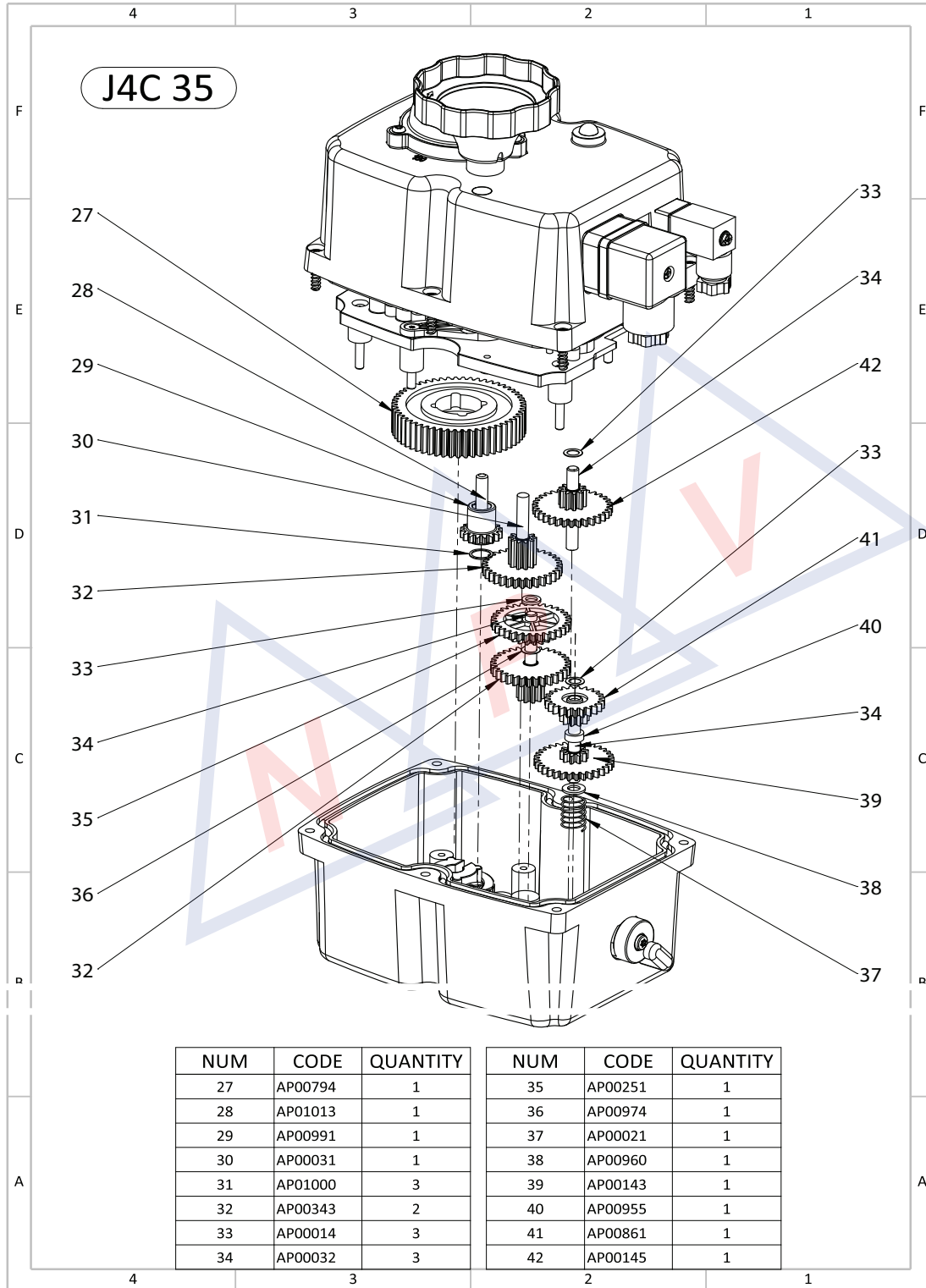
## J4C 35 SIZES



# Exploded View



# Exploded View



# Exploded View

