

## 03 Datasheet - J4C 20

### GENERAL CHARACTERISTICS

**Housing:** Anticorrosive polyamide (lid & body)

**Main external shaft:** Anticorrosive polyamide

**External screws:** stainless steel

**Gears:** Steel and polyamide

**Visual position indicator:** Polyamide

**Dome:** Polycarbonate

**Adjustable internal cams:** Polyamide

**Electric motor:** 24VDC Brushless motor

**Insulation:** Class B

**(IEC 60034) Service:** S4



Model	S20	B20	H20
Voltage VDC/VAC 50/60Hz-0/+5%	24-240 VAC / 24-135 VDC	12 VDC/VAC ONLY	85- 240 VAC/VDC

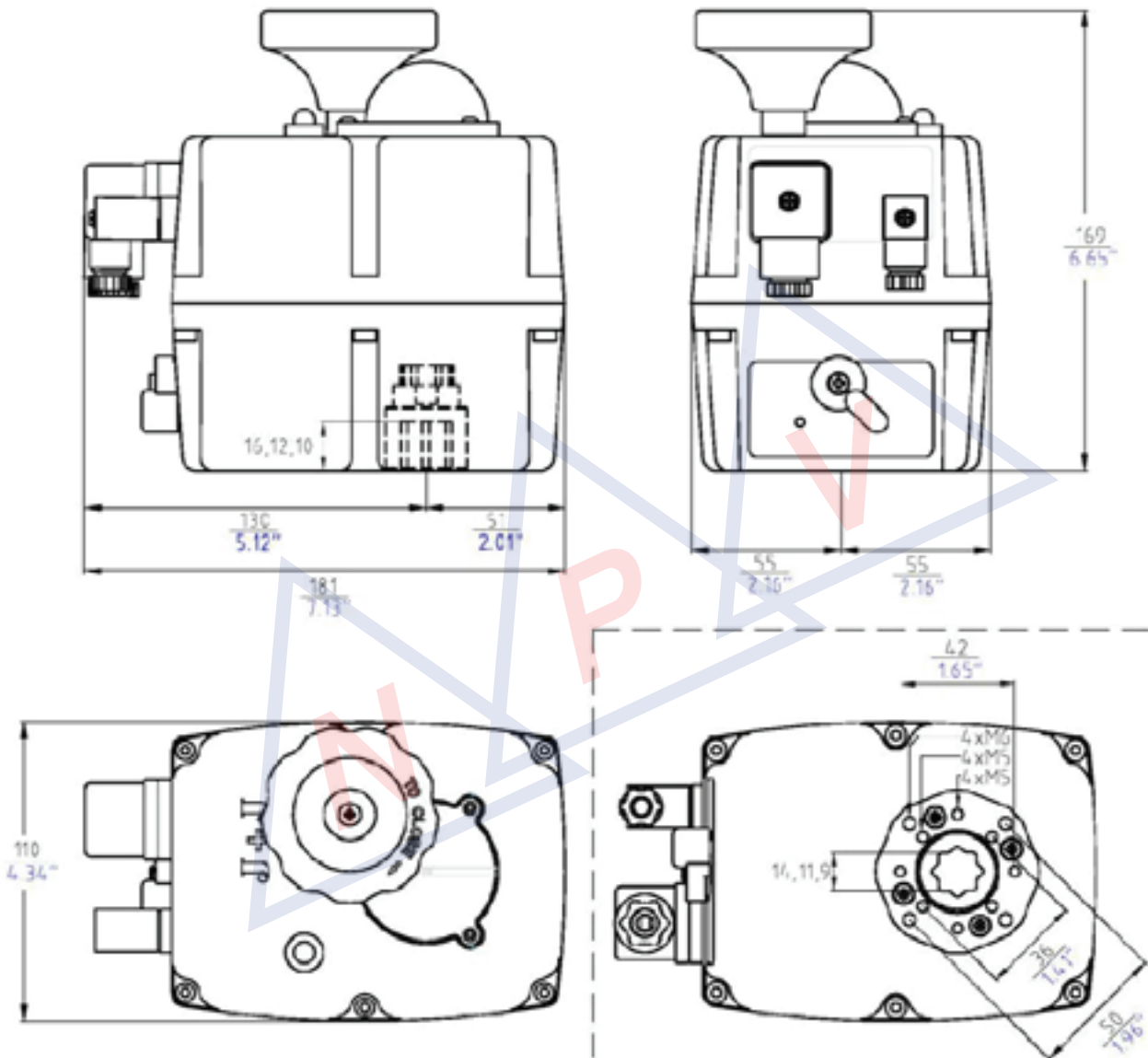
Model	S20/B20/H20
Operation time unload	9 Sec./90°
Maximum torque break	25 Nm / 221 lb/in
Maximum operational torque	20 Nm / 177 lb/in
Duty rating	75 %
Max. Working angle	0° to 270°
Limit switch	4 SPST NO micro (2 motor stop and 2 confirmations)
Automatic heater	3,5 W
Big Plug	EN175301-803 FORM A
Small Plug	DIN43650/C
Protection IEC 60529 rating	IP67
Temperature	-20°C +70°C / -4°F +158°F
ISO 5211 Plate	Standard: F03/F04/F05 Optional: F07 *17mm
DIN 3337 Female output drive	Standard: *14 Optional: *9, *11mm
Weight	1,8 Kg

### Options

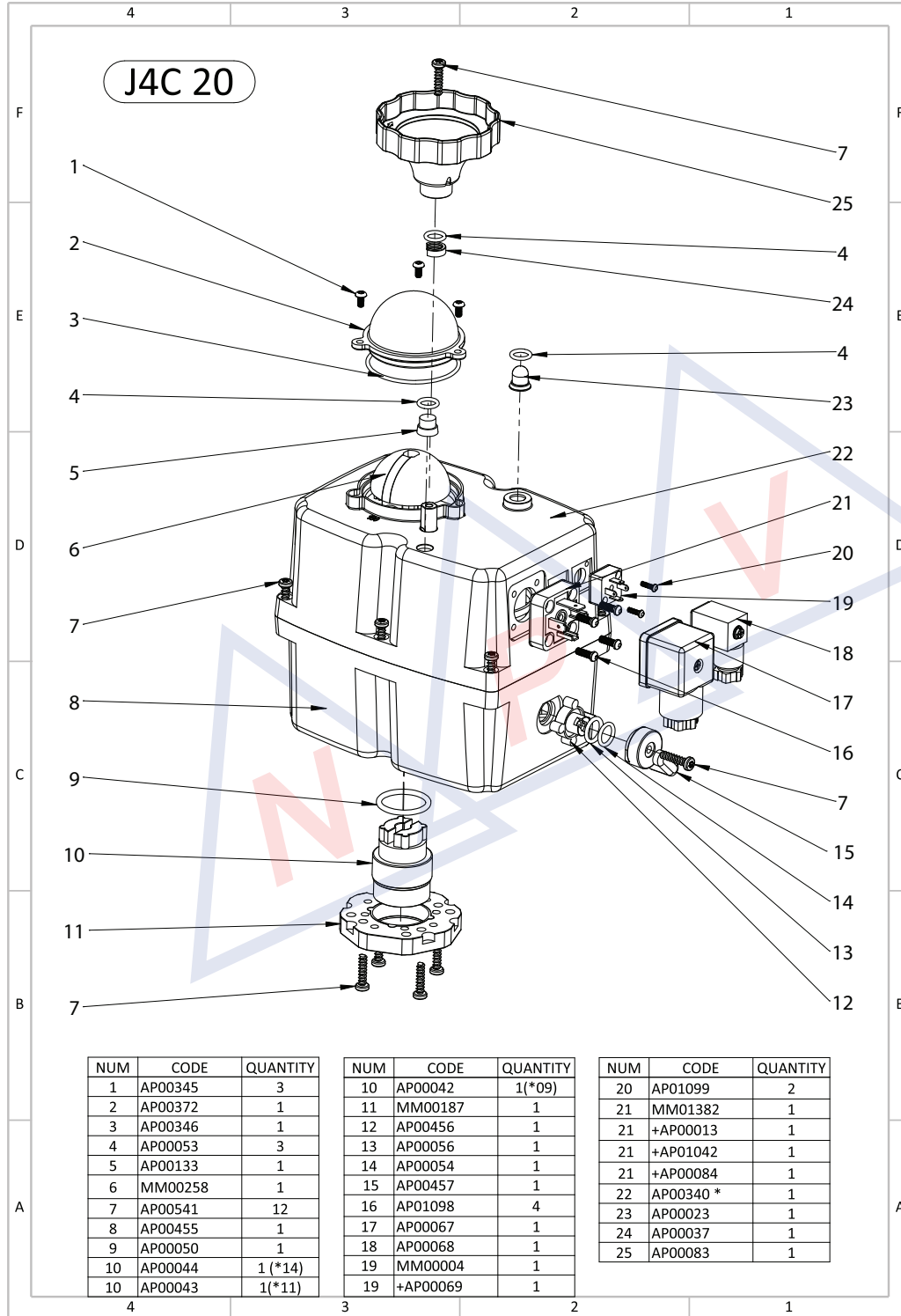
J4C 20/85 KIT DPS digital positioner:	4-20mA, 0-20mA, 0-10V or 1-10V
J4C 20/85 KIT BSR emergency fail safe kit system by battery	NC- NO
Potentiometer	1K, 5K or 10K
3 position actuator	0°-45°-90° or 0°-90°-180°



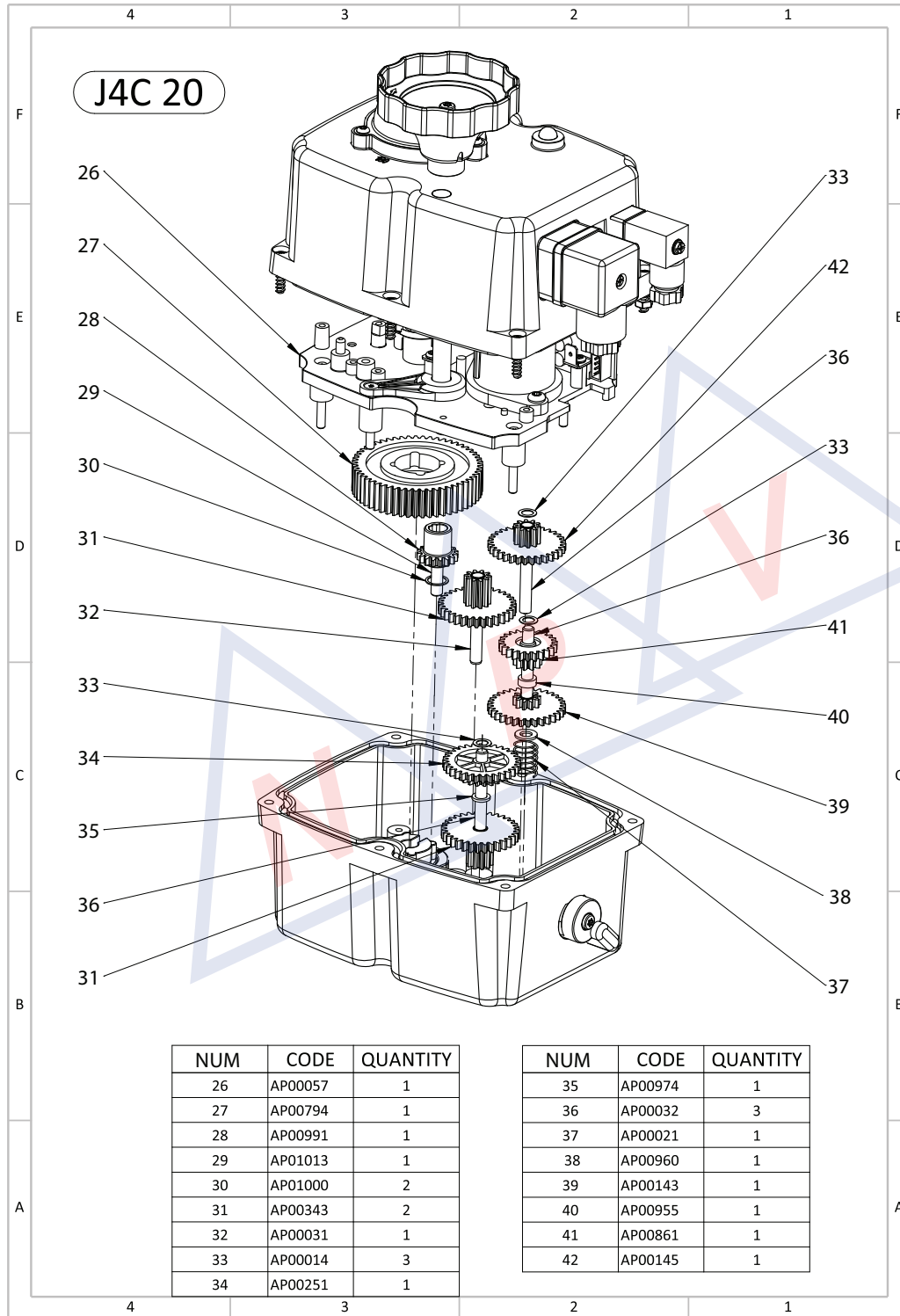
### J4C 20 SIZES



# Exploded View



# Exploded View



# Exploded View

