

## Datasheet - J4C 140

### GENERAL CHARACTERISTICS

**Housing:** Anticorrosive polyamide (lid & body)  
**Main external shaft:** stainless steel  
**External screws:** stainless steel  
**Gears:** Steel and polyamide  
**Visual position indicator:** Polyamide

**Dome:** Polycarbonate  
**Adjustable internal cams:** Polyamide  
**Electric motor:** 24VDC Brushless motor  
**Insulation:** Class B  
**(IEC 60034) Service:** S4



| Model                         | S140                    | B140            | H140            |
|-------------------------------|-------------------------|-----------------|-----------------|
| Voltage VDC/VAC 50/60Hz-0/+5% | 24-240 VAC / 24-135 VDC | 12 VDC/VAC ONLY | 85- 240 VAC/VDC |

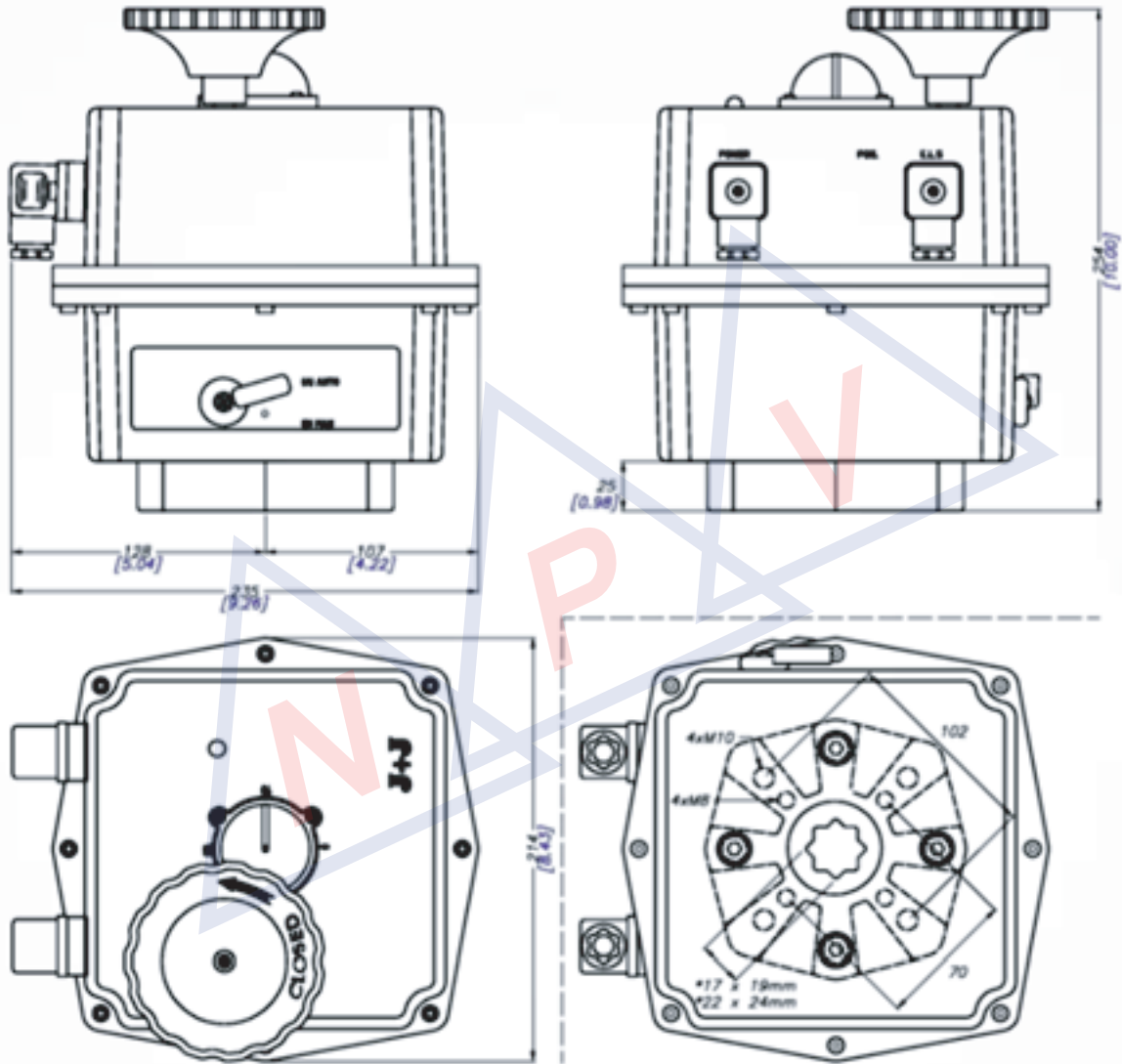
| Model                        | S140/B140/H140                                     |
|------------------------------|--|
| Operation time unload        | 34 Sec./90°  |
| Maximum torque break         | 170 Nm / 1504,5 lb/in                              |
| Maximum operational torque   | 140 Nm / 1239 lb/in                                |
| Duty rating                  | 75 %   |
| Max. Working angle           | 0° to 270°   |
| Limit switch                 | 4 SPST NO micro (2 motor stop and 2 confirmations) |
| Automatic heater             | 3,5 W  |
| Big Plug                     | EN175301-803 FORM A                                |
| Small Plug                   | DIN43650/C   |
| Protection IEC 60529 rating  | IP67   |
| Temperature                  | -20°C +70°C / -4°F +158°F                          |
| ISO 5211 Plate               | Standard: F07/F10 Optional: F12                    |
| DIN 3337 Female output drive | Standard: *22 Optional: *17mm                      |
| Weight                       | 5,2Kg  |

### Options

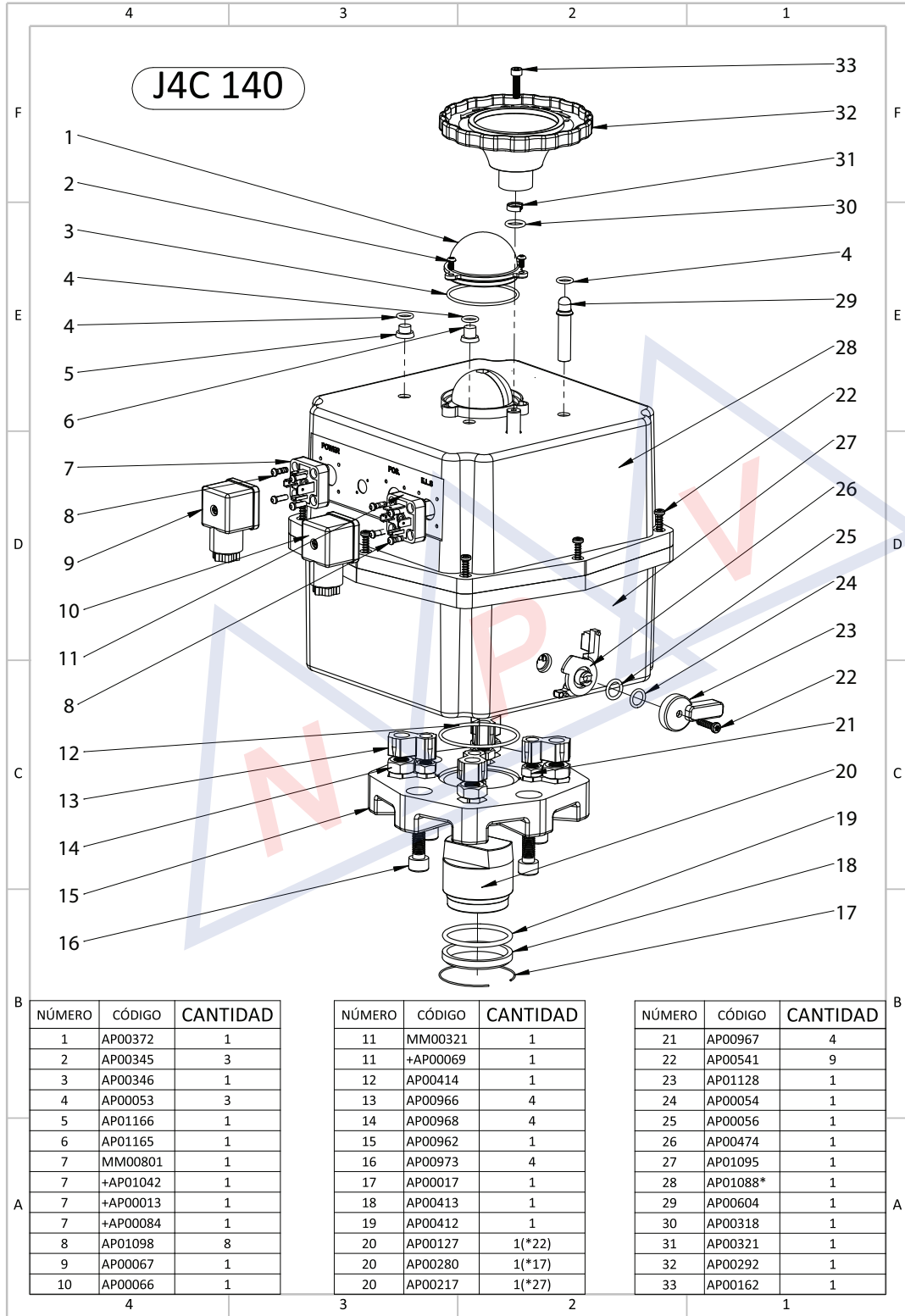
|   |                                |
|---|--------------------------------|
| J4C 20/85 KIT DPS digital positioner:                       | 4-20mA, 0-20mA, 0-10V or 1-10V |
| J4C 20/85 KIT BSR emergency fail safe kit system by battery | NC- NO                         |
| Potentiometer   | 1K, 5K or 10K                  |
| 3 position actuator   | 0°-45°-90° or 0°-90°-180°      |



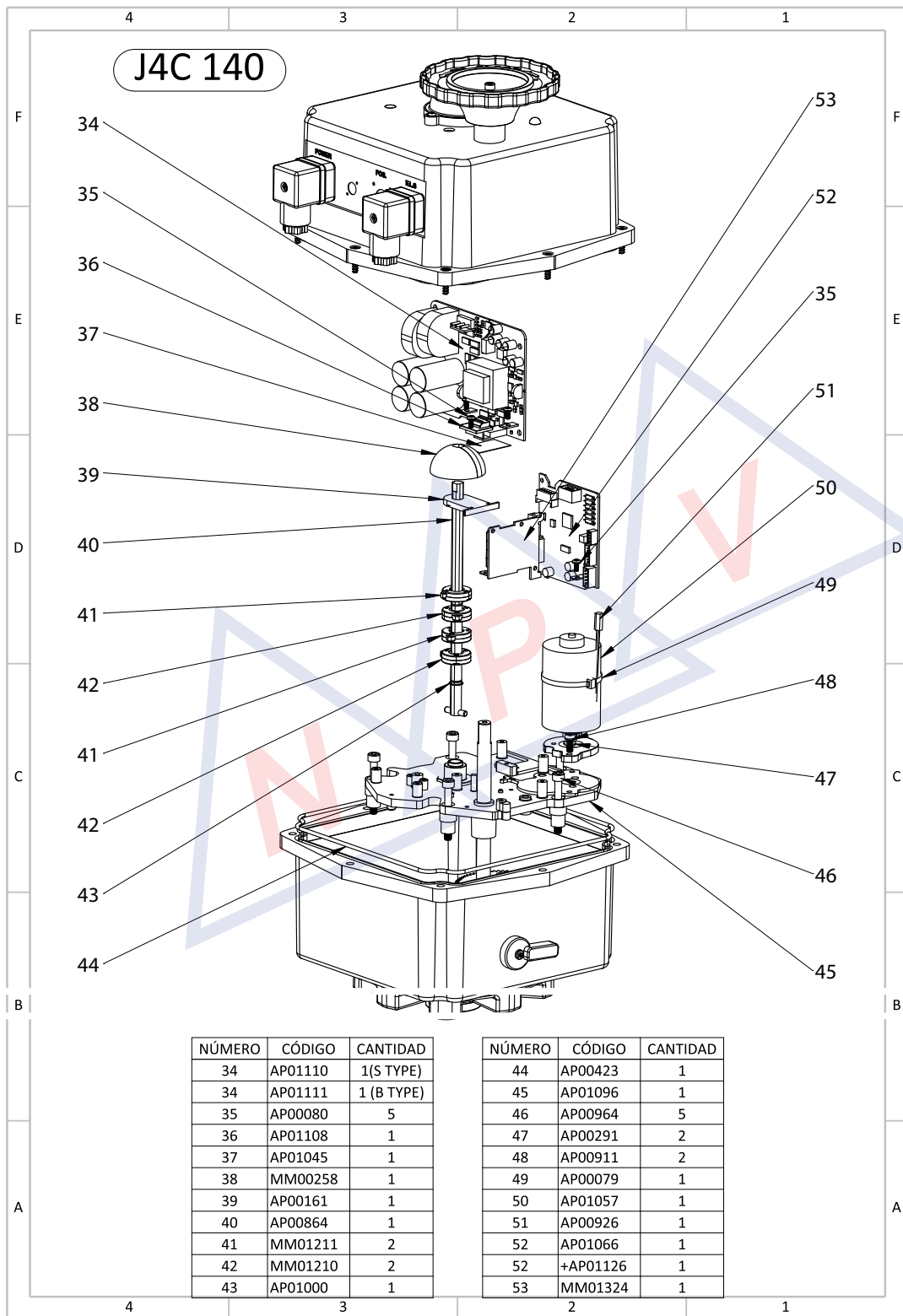
# J4C 140 SIZES



# Exploded View



# Exploded View



# Exploded View

