

# Hydraulic seals – linear





## Your Partner for Sealing Technology

Trelleborg Sealing Solutions is a major international developer, manufacturer and supplier of seals, bearings and molded components in polymers. We are uniquely placed to offer dedicated design and development from our market-leading product and material portfolio: a one-stop-shop providing the best in elastomer, silicone, thermoplastic, PTFE and composite technologies for applications in aerospace, industrial and automotive industries.

With 50 years of experience, Trelleborg Sealing Solutions engineers support customers with design, prototyping, production, test and installation using state-of-the-art design tools. An international network of over 80 facilities worldwide includes over 20 manufacturing sites, strategically-positioned research and development centers, including materials and development laboratories and locations specializing in design and applications.

Developing and formulating materials in-house, we utilize the resource of our material database, including over 2,000

proprietary compounds and a range of unique products. Trelleborg Sealing Solutions fulfills challenging service requirements, supplying standard parts in volume or a single custom-manufactured component, through our integrated logistical support, which effectively delivers over 40,000 sealing products to customers worldwide.

Trelleborg Sealing Solutions facilities are certified according to current market-related quality standards. In addition to the established ISO 9001 standard, our facilities are certified to environmental, health and safety standards, as well as specific customer specifications. These certifications are in many cases prerequisites, allowing us to comply to all market segment requirements.

**ISO 9001**

The information in this catalog is intended for general reference only and not for specific applications. Application limits for pressure, temperature, speed and media are maximum values determined in laboratory conditions. In application, due to operating parameters, maximum values may not be achievable. Customers must satisfy themselves of a product and material's suitability for their individual applications. Any reliance on information is therefore at the user's own risk. In no event will Trelleborg Sealing Solutions be liable for any loss, damage, claim or expense directly or indirectly arising or resulting from the use of any information provided in this catalog. While every effort is made to ensure the accuracy of information contained herewith, Trelleborg Sealing Solutions cannot warrant the accuracy or completeness of information.

**Contact your local Customer Solution Center to obtain the best recommendation for a specific application from Trelleborg Sealing Solutions.**  
This edition supersedes all previous catalogs. This catalog or any part of it may not be reproduced without permission.

® Quad-Ring® is a registered trademark of Minnesota Rubber and Plastics, Quadion LLC, used under license.  
All other trademarks are the property of Trelleborg Group. The turquoise color is a registered trademark of Trelleborg Group. © 2022, Trelleborg Group. All rights reserved.

# Linear Seals

## Contents

**Introduction**

**Rod Seals**

**Piston Seals**

**Scrapers**

**Slydring® - Wear Rings**

**General Quality Criteria & Storage Guidelines**

---

! This page is intentionally left blank.



# Introduction



# Welcome to Trelleborg Sealing Solutions

## SEALING TECHNOLOGY

Trelleborg Sealing Solutions offers an outstandingly comprehensive sealing portfolio – a one-stop-shop providing the best in elastomer, silicone, thermoplastic, PTFE and composite technologies; solutions that feature in virtually every application conceivable within the aerospace, industrial and automotive industries.

## A WORLDWIDE PRESENCE

We are uniquely placed to offer a dedicated design and development service for sealing solutions; globally servicing, supporting and supplying customers through an unrivaled international network.

## COMMITMENT TO CUSTOMER, NEEDS LONG-TERM

Trelleborg Sealing Solutions is one of the world's foremost experts in polymer sealing technology. Using our expertise and experience, we facilitate customers in achieving cost-effective, durable solutions that match their specific business requirements.



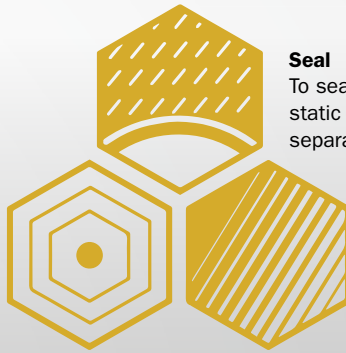
### Trelleborg Sealing Solutions -

### Your Partner for Sealing Technology

Scan the QR-Code to watch the movie about our ability to add value and improve the business of our customers.

# A world leader in engineered polymer solutions

**Protect**  
To protect is to help the environment, people, infrastructure and other assets to manage the impact from natural and man-made forces.



**Seal**  
To seal is to fill a gap when joining two static or moving (dynamic) surfaces, thereby separating different media from each other.

**Damp**  
To damp is to absorb energy, thereby reducing vibration and noise.

## THE TRELLEBORG GROUP



**Trelleborg Industrial Solutions** is a leading supplier of polymer-based critical solutions in selected industrial application areas and infrastructure projects.



**Trelleborg Wheel Systems** is a leading global supplier of tires and complete wheels for off-highway vehicles and specialty applications.



**Trelleborg Sealing Solutions** is a leading developer, manufacturer and supplier of precision seals, bearings and custom-molded polymer components. It focuses on meeting the most demanding needs of aerospace, automotive, health-care & medical and general industrial customers with innovative solutions.

### BLUE DIMENSION™

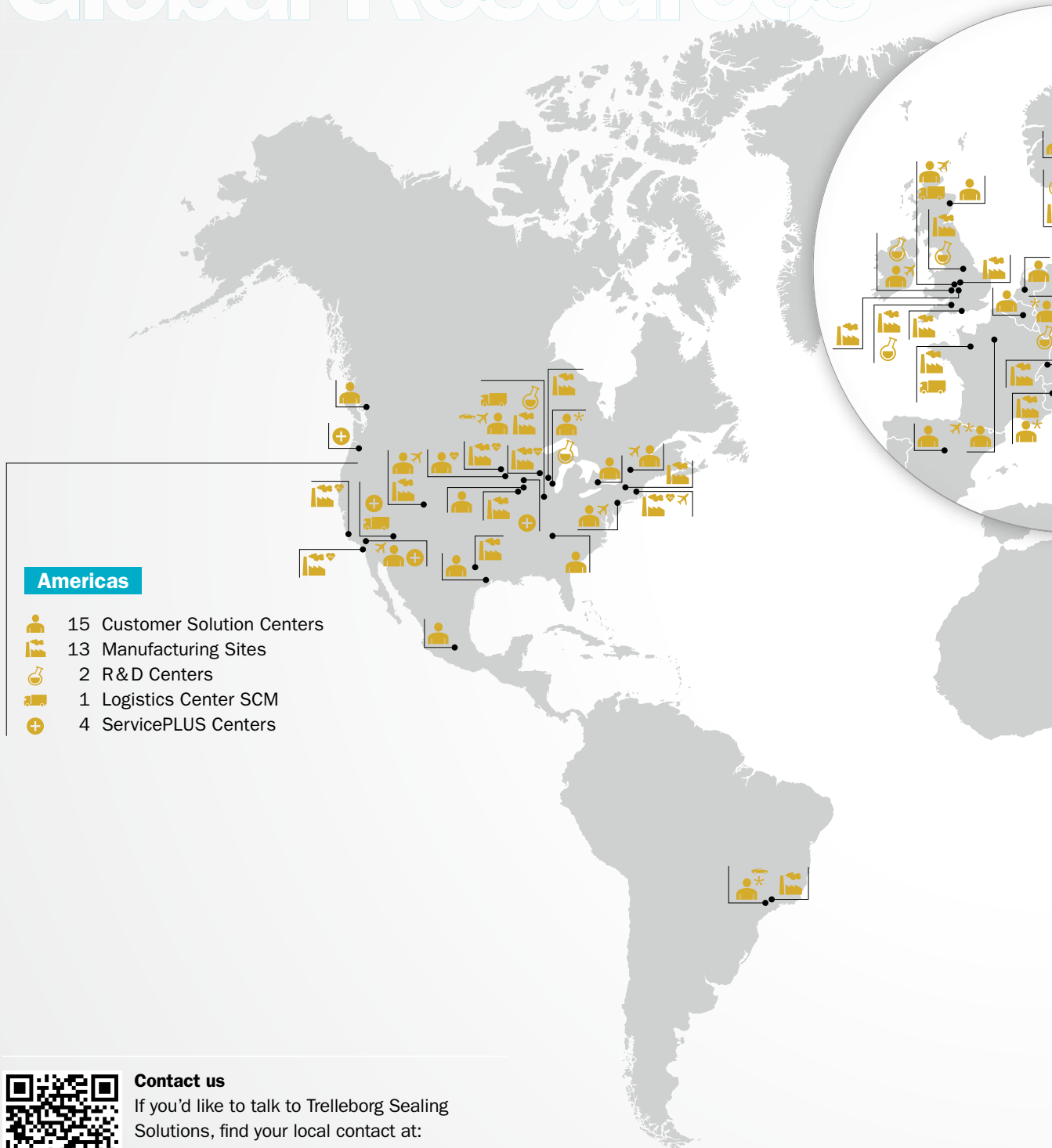


At Trelleborg we believe that the benefits of our solutions stretch beyond functionality and business performance.  
**For more information scan the QR-Code or visit the website: [www.trelleborg.com](http://www.trelleborg.com)**





# Our Global Resources



## Americas

-  15 Customer Solution Centers
-  13 Manufacturing Sites
-  2 R&D Centers
-  1 Logistics Center SCM
-  4 ServicePLUS Centers



### Contact us

If you'd like to talk to Trelleborg Sealing Solutions, find your local contact at:

[www.trelleborg.com/seals/worldwide](http://www.trelleborg.com/seals/worldwide)

**7,300**  
employees

More than  
**90**  
worldwide  
locations

More than  
**2,000**  
proprietary material  
formulations



✈ Aerospace    🚗 Automotive    ✨ Damping Solutions    ❤️ Healthcare & Medical



# Products, Brands & Materials

Decades of experience designing and manufacturing polymer solutions has led Trelleborg Sealing Solutions to develop, manufacture and supply a range of unique materials and proprietary product designs, many of which have become industry standards. Development is ongoing, ensuring that our solutions meet the changing needs of our customers, as well as the latest industry trends and regulations.

## PRODUCTS



Fluid Sealing Systems



Static Seals



Bearings & Bushings



Rotary Seals



Medical Components



Pneumatic Seals



O-Rings



Engineered Molded Parts



Mechanical Face Seals (Heavy Duty Seals)



FlatSeal™ Gaskets (Heavy Duty Seals)



Brake Shims, Tuned Absorbers, Rubore® Seals



Assembly Units



Liquid Silicone Rubber (LSR)



Customized Aerospace Sealing



Tubing & Hose Sealing

## WORLD RENOWNED NAMES UNITED

We own many of the longest established and leading names within the seal industry. These include:

- American Variseal
- Automated Dynamics
- Busak+Shamban
- Dowty Seals
- Chase Walton
- Forsheda
- GNL
- Impervia
- Nordex
- Orkot
- Palmer Chenard
- Polypac
- SSF
- SF Medical
- Shamban
- Silcofab
- Silcotech
- Sil-Pro
- Skega
- Stefa
- Wills

## PROPRIETARY MATERIALS

Ongoing development has yielded some of the most successful sealing and bearing materials available:

- HiMod®
- Isolast®
- Turcite®
- Turel®
- HiPlast®
- Orkot®
- Turcon®
- Zurcon®



### One-Stop-Shop for Sealing Solutions

Scan the QR-Code or visit our website to find out more about our portfolio of solutions for industry-specific needs and applications.  
[www.trelleborg.com/seals](http://www.trelleborg.com/seals)





# Your Industry



Aerospace



Agriculture



Automotive



Construction & Mining Equipment



Fluid Power - Hydraulics



Fluid Power - Pneumatics



Food & Beverage



Healthcare & Medical



Manufacturing & Machine Tools



Marine Equipment & Construction



Oil & Gas



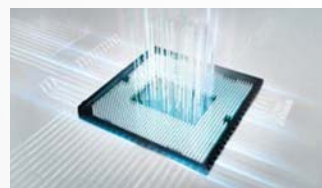
Processing Equipment



Renewable Energy & Power Generation



Robotics



Semiconductor



Water & Sanitary



**Accelerating performance in your industry**  
Scan the QR-Code or visit our website to find out more about our tailor-made solutions for your industry.  
[www.trelleborg.com/seals](http://www.trelleborg.com/seals)



# Films & Animations

## SEEING IS BELIEVING

Complex sealing configurations can feature a large number of sealing elements. Trying to illustrate these on a 2-D page is difficult and can never properly show their function or characteristics. Trelleborg Sealing Solutions uses the latest graphic technologies to produce 3-D animations of applications and typical sealing solutions for them.



View at  
[YouTube.com/  
trelleborgseals](https://www.youtube.com/trelleborgseals)  
YouTube

View at  
[www.trelleborg.com/  
seals/films](http://www.trelleborg.com/seals/films)  




### Films and Animations online

A range of films specific to different industries and products are available to view on the Trelleborg Sealing Solutions website or via YouTube.





# ServicePLUS

## THE PLUS FOR YOUR BUSINESS

When you partner with Trelleborg Sealing Solutions through our ServicePLUS program, you can focus on your core business while we focus on ensuring all of your value chain needs are covered. We concentrate on business activities, which typically offer the largest resource saving opportunities.

Scan the QR-Code to learn how you can simplify your business with ServicePLUS:



### TECHNICAL COLLABORATION

Apply Trelleborg's expertise to your business. Whether starting a new development or enhancing existing products, access our experts in materials and design for sealing solutions with optimal application performance. Take advantage of digital tools, sealing technology training and customized seminars to support your technical and commercial teams.



### SURFACE TECHNOLOGIES

Surface quality matters as much as the seals you use. Improve friction characteristics and eliminate sticking with surface modifications, such as Seal-Glide® to reduce costs in automated assembly and improve application performance. Ensure parts are as clean as they should be for sensitive applications and strict regulations with FlexClean™.



### TAILORED PRODUCTION SERVICES

Enhance your manufacturing with tailored production services. State-of-the-art 3D printing and rapid prototyping help bring products to the market faster. Strengthen your core business processes by outsourcing subcomponent assembly and secondary operations to Trelleborg Sealing Solutions.



### TESTING & QUALITY ASSURANCE

Trelleborg Sealing Solutions is set up to run a full suite of material and product tests to improve efficiency and help reduce your inspection expenses. Fully automated inspection cells and quality clinics can verify performance and accordance with standards, with full documentation produced.



### PACKAGING SOLUTIONS

Our packaging and labeling solutions aim to support your business and boost your aftermarket care. They are customized to meet your specific needs, including custom tubing for direct insertion into automated feeding stations, bespoke machine-readable labeling for replacement part sets and aftermarket kits directly drop-shipped to your service centers or customers.



### ADVANCED DELIVERY & STOCK MANAGEMENT SERVICES

Simplify, streamline and enhance your supply chain with our delivery and stock management services. Let Trelleborg Sealing Solutions manage your important C-parts or benefit from automated ordering services that optimize your replenishment processes and align with production flows.





# Design Support & Engineering Tools

## ONLINE TOOLS MAKE LIFE EASIER

Trelleborg Sealing Solutions has developed a number of online tools that make the working life of an engineer specifying seals easier. All these industry-leading tools are available free-of-charge from the Trelleborg Sealing Solutions website at [www.trelleborg.com/seals](http://www.trelleborg.com/seals). To use these advanced services all you have to do is register on the Members Area.

There is also a continually increasing range of innovative engineering apps available for smartphones, both for iOS and Android devices. Just search for "Trelleborg" in the App Store or GooglePlay to find the tools to optimize your daily productivity.

## Materials Search and Chemical Compatibility Check

These two programs allow you to find out the compatibility of sealing materials with hundreds of different media and help identify the most suitable material for your application.

- + Very good suitability
- Good suitability
- Limited suitability
- ✗ Unsuitable
- ? Insufficient information



## Sealing Solutions Configurator

The Sealing Solutions Configurator is the first tool of its kind offered by any seal supplier. It allows engineers to identify a proven sealing solution for their specific application in just four easy steps.

## 4.0 Proposal Introduction

**Dear Hilde Heens**  
Thank you for your call. We have had a look sealing solution to your application.

### 7.1.3 TSS Item No. and installation dims

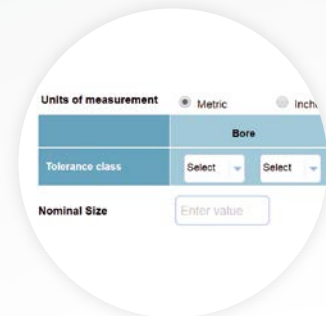
1. Turcite® / Zurcon® GR6901000-T47

Slydring®  
Rod Diameter dN=100.0  
Groove Diameter D2=105.0  
Groove Width L2=9.7

1. Turcite® / Zurcon® GR73A1000-CY  
Rod Diameter dN=100.0  
Groove Diameter D2=105.0  
Groove Width L2=9.7

## Technical Proposals Online

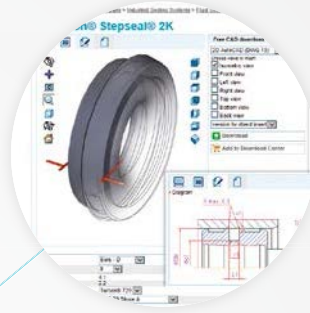
Enhance your communication with Trelleborg Sealing Solutions with the Technical Proposals Online tool. Instantly access all your proposed solutions anywhere at any time and benefit from quicker dialog with our sealing specialists.





### ISO Fits & Tolerances

Our Fits & Tolerances Calculator allows you to easily determine type of fits using the tolerances according to DIN ISO 286. In addition, upon entering the nominal diameter the tool calculates lower and upper limit deviations plus the maximum and minimum interferences dependent on the selected tolerance classes for bore and shaft.



### Versatile CAD Service

The CAD download functionality provides thousands of drawings of a wide range of seals. It gives the option of 2- or 3-dimensional files in a range of formats to suit most commonly used CAD systems.



### Hydraulic System Calculator

Hydraulic System Calculator helps you design a solution around the cylinder which may involve motor, pump, orifice and pipe calculations. The application is in compliance with ISO 3320, ISO 3321 & ISO 4393.



### Rotary Seal Selector

The Rotary Seal Selector allows you to search through the wide range of rotary seals and materials available based on application conditions and offers detailed information on installation and seal capabilities.



### O-Ring Calculator

An industry-leading tool, the easy to use O-Ring calculator includes sizing capabilities, compression forces, design parameter recommendations and complete measurements. Results and comments may be printed, shared or filed as PDF.

Discover our design support and engineering tools at [www.trelleborg.com/seals](http://www.trelleborg.com/seals)





# Mobile Tools & Apps

We understand the needs of engineers on the go. Check out our latest mobile tools and apps, ranging from an O-Ring calculator to unit and hardness converters. Just search for "Trelleborg" in the App Store or Google Play to find the tools to optimize your daily productivity.

Discover our wide range of mobile tools and apps at [www.trelleborg.com/seals](http://www.trelleborg.com/seals)

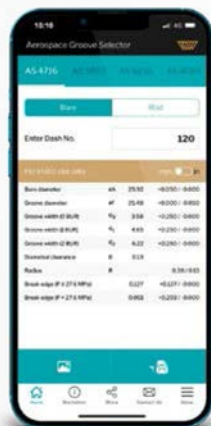
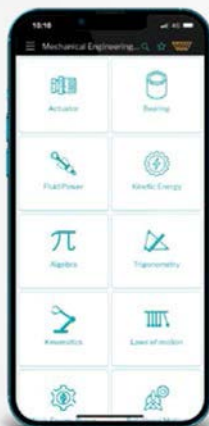


MANY MORE APPS available

Available on the APP STORE



Android App on Google Play



## ISO Fits & Tolerances

Simply enter the nominal diameter and select the tolerance classes for bore and shaft to find the complete ISO fits definition. It contains all relevant values, including type of fit, with handy graphs to illustrate the classes by bore and shaft. The results of this application are based on DIN ISO 286.



## Mechanical Engineering Calculator

A useful app containing over 250 formula calculators in 16 categories, with more being added with every update. Categories include the fields of mathematics, physics and mechanical engineering.



## Aerospace Groove Selector

This app covers five of the most important SAE Aerospace groove standards, making it quick and easy to find the size of grooves and hardware needed. Includes dimensions for AS4716 Rev B, AS5857 Rev A, AS6235 Rev A, AS4088 Rev E and AS4832 Rev A.



## Installation Instructions

Videos demonstrate the best practice methods for installing seals, providing all relevant documentation within the interface. It guides you to successful installation of Radial Oil Seals, Mechanical Face Seals and Turcon® and Zurcon® rod and piston seals.



## Converter – Universal

By simply selecting the dimension and entering a value for conversion, the app offers a wide range of engineering and scientific units for each dimension. It also has other useful features like currency conversion, timezone conversion, percentage calculations, a running pace calculator and more.



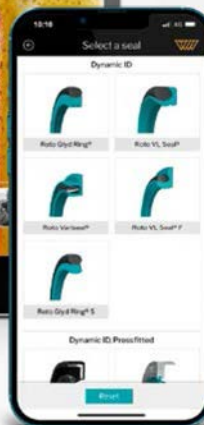
**in the groove**

Our *in the groove* magazine provides news, technical and product information on seals, as well as insights into the markets they are used in. The magazine is also available in print and as an interactive PDF.



**Rotary Seal Selector**

This app is specifically for the selection of rotary seals based on application information, including size, operating parameters and the lubricant used. It also considers installation type and seal function.



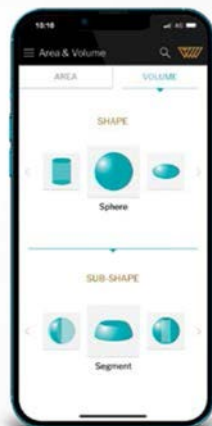
**O-Ring Selector**

When a user enters installation specifications into the O-Ring Selector app, such as the bore or rod/shaft diameter, the app quickly calculates O-Ring and housing dimensions in both metric and inch. Standards covered are ISO 3601-1, NFT 47-502, JIS B 2401 and SMS 1586.



**Hydraulic System Calculator**

The Hydraulic System Calculator helps you design a solution around the cylinder, which may involve motor, pump, orifice and pipe calculations. The application is in compliance with ISO 3320, ISO 3321 and ISO 4393.



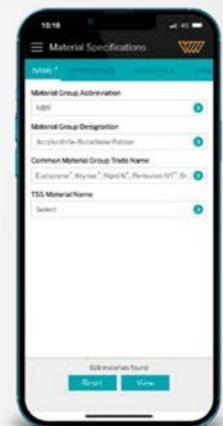
**Area and Volume Calculator**

Speeds up and simplifies calculating the area and volume of more than 170 geometric shapes. The app supports both metric and inch, and conveniently displays the formulas used. Fill your shape with solids or liquids, choosing from 1500 different materials to calculate the weight.



**Healthcare Materials**

A quick and easy overview of the compatibility of 34 materials with 35 chemical environments that are commonly encountered in the healthcare and medical industries. Select up to 20 materials and environments at once to produce a chart that rates each material from 'excellent' to 'not recommended'.



**Sealing Materials Selector**

Enter material specifications and required parameters, such as application temperature or hardness, to receive instant material proposals. The app features filters to limit searches based on chemical compatibility, institute approvals and product type. Data sheets can be requested from within the interface.

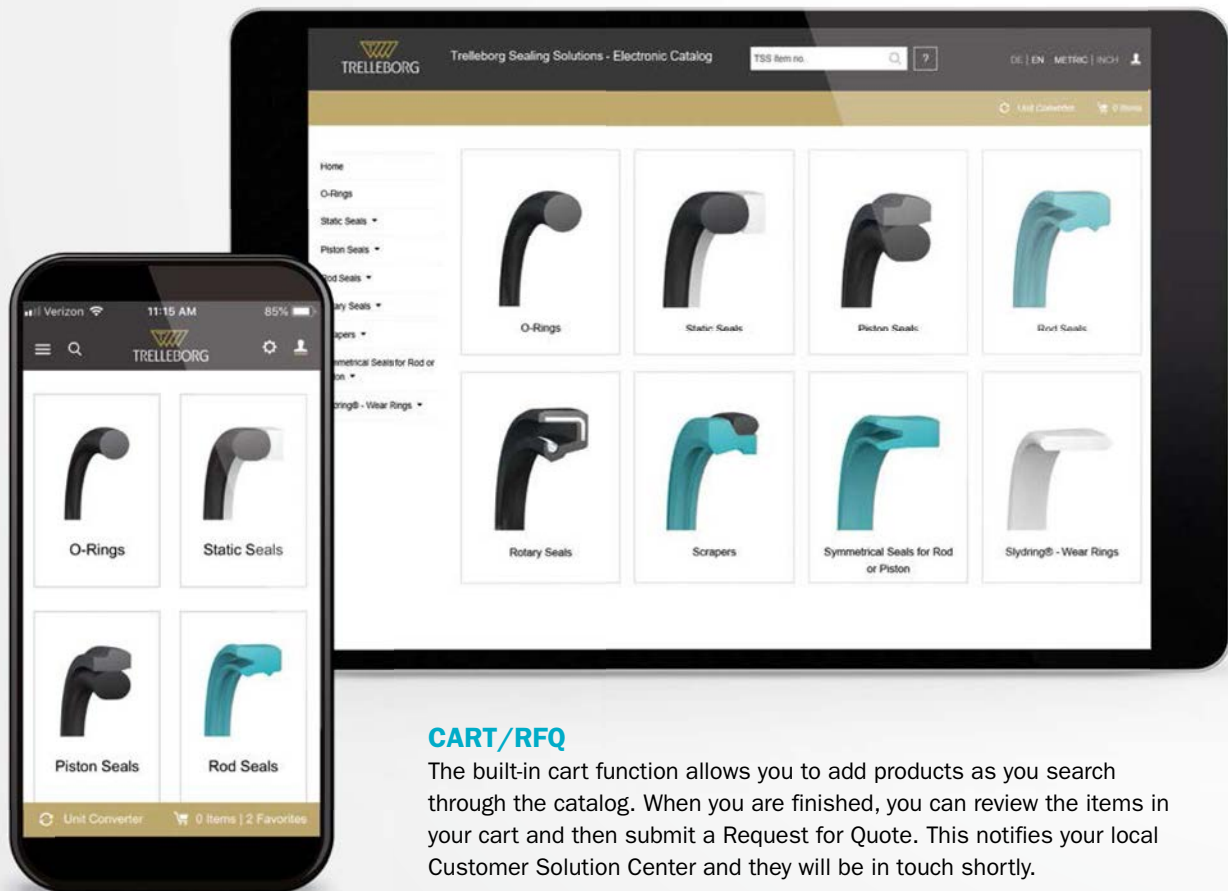
# Electronic Catalog

Discover the Electronic Catalog online as an app or on our website



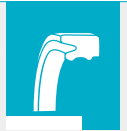
The Electronic Catalog is a user-friendly service that connects you to the broad range of products Trelleborg Sealing Solutions offers. The products are arranged based on product type and product group, making it easy to find the exact one you need.

Many functions are also included within the Electronic Catalog that allow you to understand product capabilities, compare similar seals, request a quote and much more. The Electronic Catalog is available from the Trelleborg Sealing Solutions website and in the App Store and GooglePlay for mobile use.



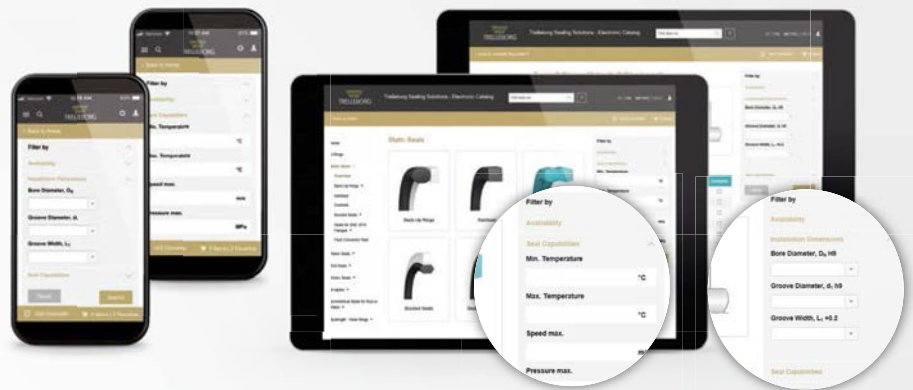
## CART/RFQ

The built-in cart function allows you to add products as you search through the catalog. When you are finished, you can review the items in your cart and then submit a Request for Quote. This notifies your local Customer Solution Center and they will be in touch shortly.



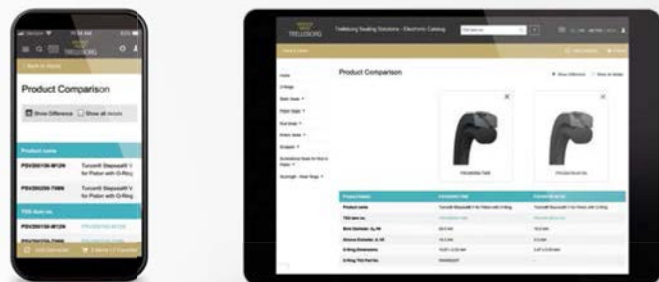
## FILTERING

If you have specific operating conditions that the seal must meet and/or installation dimensions, the Electronic Catalog offers a filtering function within the product groups. Here you can input your temperatures, pressure, speed and various installation dimensions to filter products that can meet your needs.



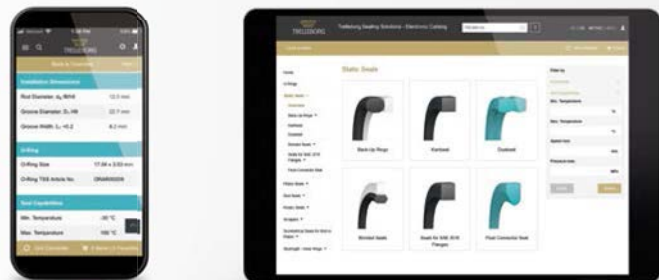
## PRODUCT COMPARISON

When looking through the catalog, you can choose to compare multiple products. The product comparison function allows you to select which products you are interested in, and then puts all relevant information into a table for your review. You can even choose to display all product details side by side or to only show the fields where they differ.



## PRODUCT INFORMATION

Detailed product information is available for each part number. Once you select a specific part number, you will be able to see its installation dimensions, seal capabilities, related catalogs and other information. From this page, registered users can access the material data sheets that are applicable to the part number.



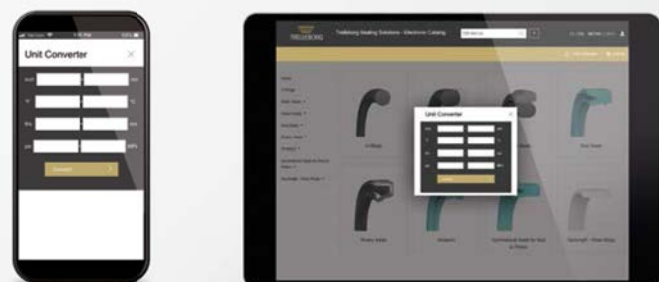
## ADD TO FAVORITES

Do you have a part that you frequently look up or need information on? You can now save any of our part numbers as a favorite that is linked to your account. Anytime you log in to the Electronic Catalog, your favorites will be a click away!



## UNIT CONVERTER

If you are looking at a product and need to know the conversion between metric and imperial, you can use the Unit Converter tool that is available at the top of the screen for web users and at the bottom for mobile.

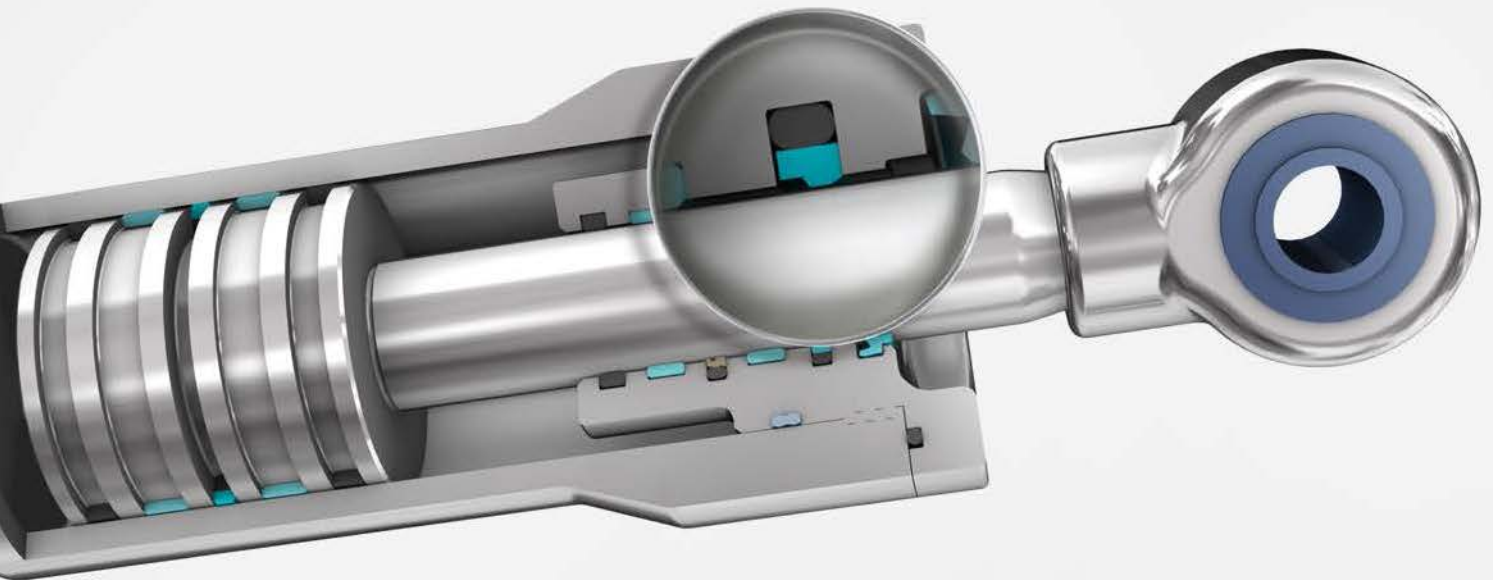


---

! This page is intentionally left blank.



# Rod Seals



---

! This page is intentionally left blank.

## Contents

<b>29</b>	<b>Choice of Sealing Element</b>	<b>157</b>	<b>Turcon® Glyd Ring®</b>
<b>37</b>	<b>Design Instructions</b>	<b>167</b>	<b>Turcon® Glyd Ring® T</b>
<b>39</b>	<b>Installation Instructions</b>	<b>177</b>	<b>Turcon® Glyd Ring® Hz</b>
<b>45</b>	<b>Turcon® Stepseal® 2K</b>	<b>189</b>	<b>Turcon® AQ-Seal® with Bean Seal</b>
<b>59</b>	<b>Turcon® Stepseal® V</b>	<b>199</b>	<b>Turcon® AQ-Seal® 5 with Bean Seal</b>
<b>71</b>	<b>Turcon® Stepseal® V LM</b>	<b>207</b>	<b>Zurcon® Wynseal M</b>
<b>83</b>	<b>Zurcon® Rimseal</b>	<b>217</b>	<b>Turcon® Double Delta®</b>
<b>91</b>	<b>Zurcon® Rimseal IM</b>	<b>227</b>	<b>Additional Seals</b>
<b>99</b>	<b>Zurcon® L-Cup®</b>		
<b>107</b>	<b>Zurcon® U-Cup, Type RU2</b>		
<b>113</b>	<b>Zurcon® U-Cup, Type RU6</b>		
<b>119</b>	<b>Zurcon® U-Cup, Type RU9</b>		
<b>129</b>	<b>Zurcon® Buffer Seal LM</b>		
<b>135</b>	<b>Turcon® Variseal® M2</b>		
<b>145</b>	<b>Turcon® VL Seal®</b>		

---

! This page is intentionally left blank.



## ■ Choice of Sealing Element

Sealing elements have a decisive influence on the design, function and service life of hydraulic and pneumatic cylinders and systems.

This applies equally to the piston rod seals where leak tightness, resistance to wear and gap extrusion, resistance to process media, resistance to high and low temperatures, low friction, compact form and simple installation are demanded in order to meet the requirements of industry for a functional sealing solution.

Trelleborg Sealing Solutions has developed a complete range of seals which, due to their optimized geometries, designs and use of high-quality materials such as Turcon® and Zurcon®, satisfy the technical and economic demands of the industry.

In order to select the most appropriate seal type and material, it is necessary to first define all the desired functional parameters. Table 1 can then be used to make an initial selection of seals and materials according to the specific requirements of the application.

The second column of the table contains the number of the page on which further general information, together with specific design and installation instructions on the particular seal type and materials (or material combinations with multi-element seals, e.g. Turcon® Stepseal® 2K), can be found.

Furthermore, on page 38 attention is drawn to the quality of the mating surface. We recommend that the limits specified there be observed, as they have a decisive influence on the functionality and service life of the system.

The final choice of seal type and material must also take account of the detailed information on the seal elements.

Please do not hesitate to contact your local Customer Solution Center for further information on specific applications and special technical questions.

### NOTE ON ORDERING

All multi-element standard rod seals, e.g. Turcon® Stepseal® 2K, are generally supplied as complete seal sets. The sets include the seal and matching elastomer energizing elements. The O-Ring does not have to be ordered separately. It is also possible to use other O-Ring materials from our O-Ring catalog. In this case, please order the seal ring and O-Ring separately.






When ordering the seal ring separately, it is then not necessary to mention the "O-Ring material code" in the TSS Article No. shown in the ordering examples.

Older designs of seals no longer contained in this catalog naturally continue to be available (see chapter "Additional Seals"). For all new applications, however, we recommend the use of the seal types and preferred sizes (ISO series, wherever possible) listed in this catalog.

Other combinations of Turcon® materials and special designs can be developed and supplied for special applications in all sizes up to 2,600 mm diameter, provided there is sufficient demand.

The sizes contained in this catalog are mostly available from stock or can be supplied at short notice. We reserve the right to modify our supply program.








**Table 1: Selection Criteria for Rod Seals**

Seal		Application			Standard	Ac-tion		Size Range	Technical Data*			Recom-mended Seal Material	
Type	Page	Field of Application			ISO	Single	Double	mm	Temp. Range **	Speed	Pressure		
		Light	Medium	Heavy					°C	m/s	MPa max.		
Turcon® Stepseal® 2K 	45	Mobile hydraulics	•	•	•	7425-2	•	3 - 2,600	-45/ +200	15	50	M12	
		Standard cylinders	•	•	•						50	T46	
		Machine tools	•	•	•						20	T05	
		Injection molding machines	•	•	•						60	Z53	
		Presses	•	•	•								
		Automotive industry	•	•	•								
		Hydraulic hammers	•	•	•								
Servo hydraulics	•	•	•										
Turcon® Stepseal® V 	59	Mobile hydraulics	•	•	•	7425-2	•	12 - 2,600	-45/ +200	15	50	M12	
		Construction equipment	•	•	•						50	T46	
		Presses	•	•	•								
		Injection molding machines	•	•	•								
Turcon® Stepseal® V LM 	71	Mobile hydraulics	•	•	•	7425-2	•	12 - 2,600	-45/ +200	15	50	M12	
		Wind turbines	•	•	•								
		Injection molding machines	•	•	•						50	T46	
		Presses	•	•	•								
Zurcon® Rimseal 	83	Mobile hydraulics	•	•	•	7425-2	•	8 - 2,200	-45/ +110	In tandem with Turcon® Stepseal® 2K 5m/s	In tandem 60 MPa	Z54	
		Standard cylinders	•	•	•						As single seal 25 MPa		
		Machine tools	•	•	•								
		Injection molding machines	•	•	•								
		Presses	•	•	•								
Zurcon® Rimseal IM 	91	Mobile hydraulics	•	•	•	7425-2	•	50 - 150	-45/ +110	0.5	In tandem 60 MPa	Z13	
		Standard cylinders	•	•	•						As single seal 25 MPa		
		Machine tools	•	•	•								
		Injection molding machines	•	•	•								
		Presses	•	•	•								

\* The data below are maximum values and cannot be used at the same time.  
The maximum pressure depends on temperature and gap dimensions.

\*\* Temperature range depends on choice of elastomer material and media.







Table continues on next page

Seal		Application			Standard	Action		Size Range	Technical Data*			Recommended Seal Material
Type	Page	Field of Application			ISO	Single	Double	mm	Temp. Range **	Speed	Pressure	
		Light	Medium	Heavy					°C	m/s	MPa max.	
Zurcon® L-Cup® 	99	Hydraulic cylinders	•	•	5597/1	•	6 - 250	-50/ +130	0.5	40	Z20 Z22 Z25	
		Tail lift cylinders	•	•								
		Steering cylinders	•	•								
Zurcon® U-Cup RU2 	107	Hydraulic cylinders	•	•	5597/1	•	6 - 185	-50/ +110	0.5	40	Z20 Z22	
		Telescopic cylinders	•	•								
		Mobile hydraulics	•	•								
Zurcon® U-Cup RU6 	113	Hydraulic cylinders	•	•	7425-2	•	12 - 350	-35/ +110	0.5	25	Z20	
		Industrial hydraulics	•	•								
		Mobile hydraulics	•	•								
Zurcon® U-Cup RU9 	119	Hydraulic cylinders	•	•	5597/1	•	6 - 140	-50/ +130	0.5	40	Z20 Z22 Z25	
		Industrial hydraulics	•	•								
		Mobile hydraulics	•	•								
Zurcon® Buffer Seal LM 	129	Earthmoving Equipment		•	7425-2	•	40 - 140	-35/ +110	1	40 60 (peak)	Z20	
		Mobile hydraulics	•	•								
		Construction Machinery	•	•								
Turcon® Variseal® M2 	135	High and low temperatures	•	•	-	•	3 - 2,600	-253/ +300	15	40	T40	
		Aggressive media	•	•						20	T05	
		Food-contact	•	•								
Turcon® VL Seal® 	145	Automation	•	•	-	•	6 - 2,600	-45/ +200	15	50	M12	
		Telescopic cylinders	•	•						50	T46	
		Valve stems	•	•								
		Down-hole tools	•	•	6 - 2,200	-45/ +110	2	25	Z54			

\* The data below are maximum values and cannot be used at the same time.  
The maximum pressure depends on temperature and gap dimensions.

\*\* Temperature range depends on choice of elastomer material and media.


Table continues on next page

Seal		Application			Standard	Action		Size Range	Technical Data*			Recommended Seal Material	
Type	Page	Field of Application	Light	Medium		Heavy	ISO		Single	Double	Temp. Range **		Speed
										°C	m/s	MPa max.	
Turcon® Glyd Ring® 	157	Special cylinders	•	•	•	7425-2	•	•	3 - 2,600	-45/+200	15	50	M12
		Pumps and valves	•	•	•							50	T46
		Machine tools	•	•	•							20	T05
		Servo equipment	•	•	•							60	Z53
Turcon® Glyd Ring® T 	167	Special cylinders	•	•	•	7425-2	•	•	3 - 2,600	-45/+200	15	50	M12
		Pumps and valves	•	•	•							50	T46
		Machine tools	•	•	•							60	Z53
		Robotics/manipulators	•	•	•							2	60
Presses	•	•	•	2	2,200	-45/+110	2	60	Z53				
Turcon® Glyd Ring® Hz 	177	Machine tools	•	•	7425-2	•	•	8 - 999	-45/+200	15	30	M12	
		Handling machinery	•	•								25	T40
		Servo equipment	•	•								2	25
Turcon® AQ-Seal® with Bean Seal 	189	Hydraulics	•	•	7425-2	•	•	18 - 2,200	-45/+110	2	40	M12	
		Machine operation	•	•								40	T46
		Fluid/gas separation	•	•								40	T46
Holding cylinders	•	•	40	T46									
Turcon® AQ-Seal® 5 with Bean Seal 	199	Hydraulics	•	•	-	•	•	32 - 2,200	-45/+110	2	50	M12	
		Fluid/gas separation	•	•								50	T46
		Mobile hydraulics	•	•								50	T46
Holding cylinders	•	•	50	T46									
Zurcon® Wynseal M 	207	Industrial hydraulics	•	•	7425-2	•	•	3 - 2,600	-45/+200	10	35	M12	
		Handling machinery	•	•				25	Z54				
		Agricultural equipment	•	•				3 - 2,200	-45/+110	0.5	45	Z53	

\* The data below are maximum values and cannot be used at the same time.  
 The maximum pressure depends on temperature and gap dimensions.  
 \*\* Temperature range depends on choice of elastomer material and media.

Table continues on next page



Seal		Application				Standard	Action		Size Range	Technical Data*			Recommended Seal Material
Type	Page	Field of Application			ISO		Single	Double		Temp. Range **	Speed	Pressure	
			Light	Medium	Heavy				mm	°C	m/s	MPa max.	
Turcon® Double Delta® 	217	Valve stems Mini hydraulics Hydraulic tools	• • •	• • •		-		•	2 - 2,600	-45/ +200	15	20  35  35	T05  M12  T46

\* The data below are maximum values and cannot be used at the same time.  
The maximum pressure depends on temperature and gap dimensions.

\*\* Temperature range depends on choice of elastomer material and media.

**LUBRICATION MANAGEMENT SEALING SYSTEMS**

A Lubrication Management system incorporates large-radius, rounded edges on both the seal and Back-up Ring to lower contact pressure, allowing lubrication of the secondary sealing element.

This significantly reduces friction and wear, increasing lifetime and reliability of the seals, as well as reducing ‘run-in’ behavior on counter surfaces. The overall constancy of the tribological system in the sealing contact area is key to improving lifetime and performance.

This technology is available for all Turcon® and Zurcon® Sealing Systems as Turcon® Stepseal® V LM and Zurcon® Buffer Seal LM\*. See pages 71 and 129 for more information.

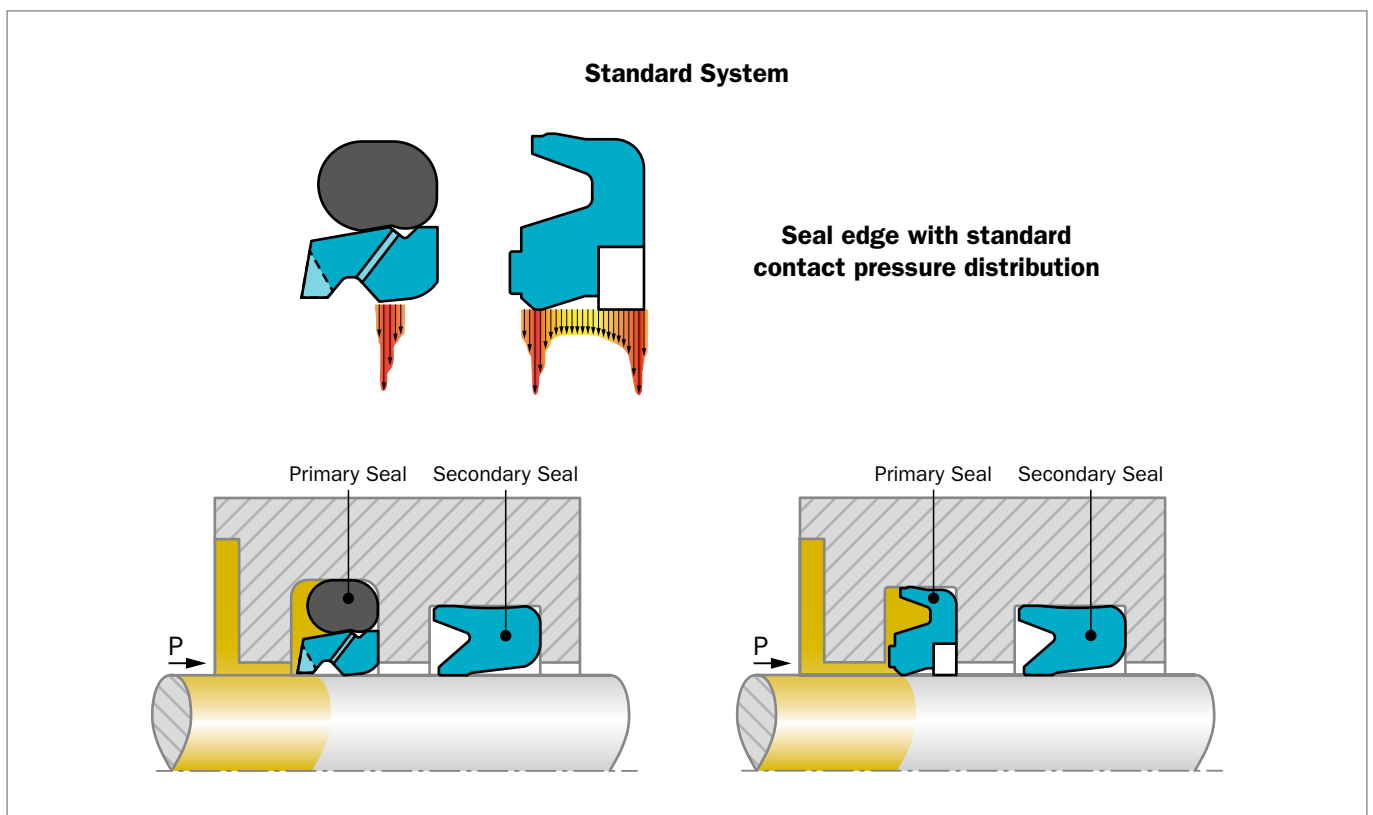


Figure 1: Standard Sealing System

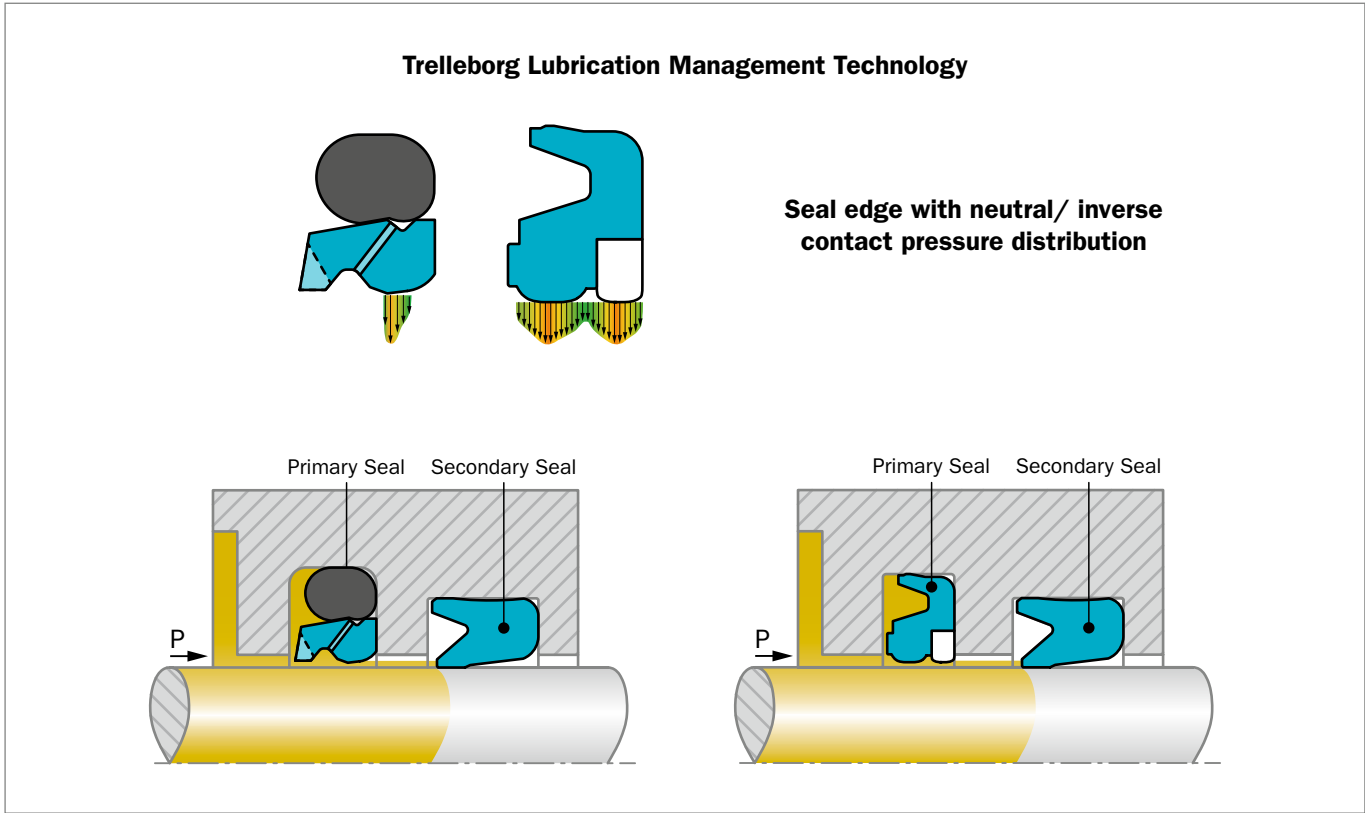


Figure 2: Lubrication Management Sealing System

\* Patent application: WO 2016/113414 A1, WO 2007/095915 A1

**REDUNDANT SEALING SYSTEM**

Sealing of environmentally harmful fluids has led Trelleborg Sealing Solutions to develop innovative sealing systems that meet the demanding industry specifications for leak-free performance and long service life.

In heavy-duty applications, these characteristics cannot be assured by a single sealing element; therefore, specially developed system seals are arranged in series, building a tandem arrangement.

Each sealing element in a system has its specific function and their interaction needs to be secured to get a redundant sealing system.

The primary seal, manufactured from proprietary Turcon® PTFE-based materials, generates low friction and demonstrates excellent wear and extrusion resistance under extreme working conditions. It allows a fine lubrication film to pass this first barrier, ensuring the necessary lubrication of the secondary sealing element, giving long service life.

The tandem arrangement requires the primary seal to have an outstanding backpumping ability. If a double acting scraper is installed, the secondary seal must also possess back-pumping capabilities. A combination of different sealing materials in a system, such as a Turcon® PTFE and a Zurcon® polyurethane, ensures the best sealing performance.

Trelleborg Sealing Solutions has pioneered work in this area and continues development of redundant sealing today.

Trelleborg Sealing Solutions has successfully used the Turcon® Stepseal® 2K in tandem arrangement for heavy-duty applications. A tandem sealing system can also be created by using other seals, such as Zurcon® Rimseal, Zurcon® L-Cup® or Zurcon® U-Cup as secondary sealing elements. Depending on the type of secondary seal, a single or double-acting scraper can be used to complete the system, offering the highest possible operation reliability, ensuring both adequate lubrication of the sealing system and long service life.

Figure 3 shows an example of a redundant sealing system consisting of Turcon® Stepseal® 2K, Zurcon® Rimseal and Rod Scraper DA22 with corresponding wear ring arrangement.

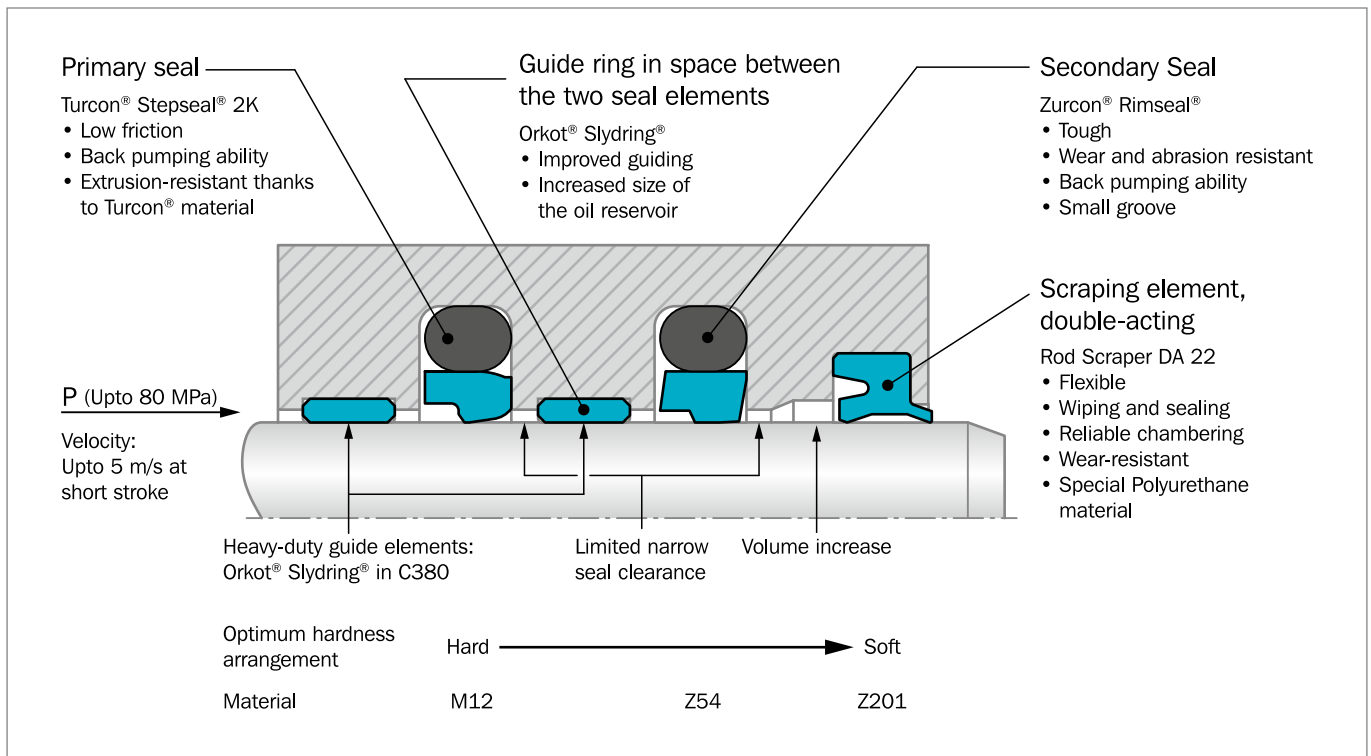


Figure 3: Example of a Redundant Modular Sealing System



## ■ Design Instructions

### LEAD-IN CHAMFERS

In order to avoid damage to the rod seal during installation, lead-in chamfers and rounded edges must be provided on the piston rods, see Figure 4. If this is not possible for design reasons, a separate installation tool must be used.

The minimum length of the lead-in chamfer  $Z_{min}$  depends on the profile size of the seal and can be seen from the following tables.

Generally  $Z_{min}$  from Table 2, Table 3 and Table 4 is recommended but at 15°, Z must also exceed 2.5% of the rod diameter  $d_N$  (relevant for large diameter rods). At 20°, Z is calculated correspondingly.

The rod should have a lead-in chamfer of 15° to 20° by Z length minimum to gently guide the seal assembly into the hardware as shown in Figure 4. The chamfer should clear the seal assembly - in a free condition - after the seal has been calibrated.

**Table 2: Elastomer Energized Seals**

Minimum chamfer for a calibrated seal.

Groove Width $L_1^*$	Lead-in Chamfer Length $Z_{min}$	
	15°	20°
2.2	2.5	2.0
3.2	3.0	2.5
4.2	3.5	3.0
6.3	5.0	4.0
8.1	6.5	5.0
9.5	7.5	5.5
13.8	10.5	8.0

\* The groove width can be found in the table Installation Dimensions for Turcon® Glyd Ring®, Glyd Ring® T, Glyd Ring® Hz, AQ-Seal® Stepseal® 2K, Stepseal® V and Zurcon® Wynseal M.

**Table 3: Double Delta®**

Minimum chamfer for a calibrated seal.

O-Ring Cross Section** $d_2$	Lead-in Chamfer* Length $Z_{min}$	
	15°	20°
1.78	-	2.5
2.40	2.62	3.0
3.00	3.53	3.5
5.33	5.70	5.0
7.00	-	6.5
8.40	-	7.5

\* Though not less than 2.5% of rod diameter.

\*\*The O-Ring cross section  $d_2$  can be found in the Installation Dimensions table from the Double Delta® chapter.

**Table 4: U-Cup and Variseal®**

Minimum chamfer for a calibrated seal (Variseal®)

U-Cup Groove Depth*	Variseal® M2 Series	Lead-in Chamfer Length $Z_{min}$	
		15°	20°
3.0 / 3.5 / 4.0		2.5	1.5
5.0		2.5	1.5
6.0 / 6.5		3.0	2.0
7.5 / 8.0	RVA0	4.5	3.0
10.0	RVA1 / RVA2	5.0	4.0
12.5		6.5	6.0
15.0	RVA3	7.5	6.5
20.0		10.0	8.5
	RVA4	12.0	9.0
	RVA5	17.0	13.0

\* The groove depth is calculated from:  $(d_1-d)/2$ . The dimensions for  $d_1$  and  $d$  can be found in the Installation Dimensions tables.

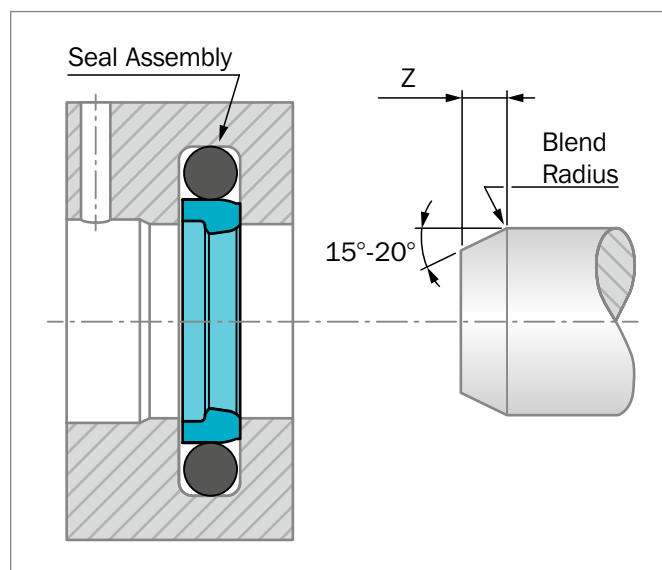


Figure 4: Lead-in chamfers

**DISTANCE BETWEEN GROOVES**

When installing tandem seal arrangements or double-acting scraper seals in conjunction with rod seals with back-pumping effects such as Turcon® Stepseal® 2K and Zurcon® Rimseal, we recommend the following arrangement:

- Distance between seal grooves and/or scraper seal groove L = at least groove depth X
- Oil reservoir for collecting the returning oil as shown in Figure 5.

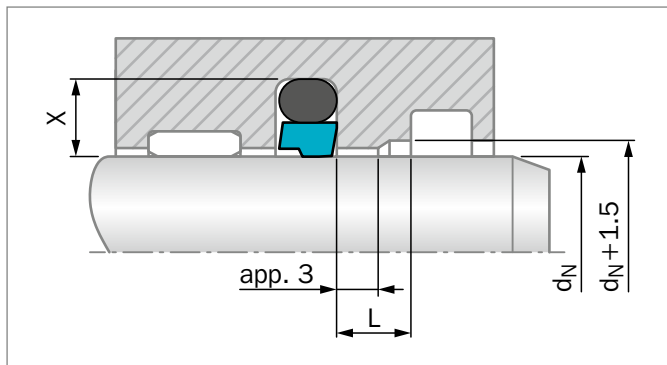


Figure 5: Recommendation for groove spacings between grooves

**SURFACE ROUGHNESS DIN EN ISO 4287**

The functional reliability and service life of a sealing system is dependent upon the quality and surface finish of the mating surface to be sealed.

Scores, scratches, pores, concentric or spiral machining marks are not permitted. Higher demands must be made on the surface finish of dynamic mating surfaces than on static mating surfaces.

The characteristics most frequently used to describe the surface micro-finish  $R_a$ ,  $R_z$  and  $R_{max}$  are defined in DIN 4762 / ISO 4287-1. These characteristics alone, however, are not sufficient for assessing suitability of a surface finish in seal engineering. The material contact area  $R_{mr}$  in accordance with ISO 4287-1, must be taken into consideration. The significance of this surface specification is illustrated in Figure 6. It shows that specification of  $R_a$  and  $R_z$  does not describe the surface roughness profile accurately enough. The material contact area  $R_{mr}$  is essential as the specific profile form determines this parameter. This in turn is directly dependent on the machining process employed.

Trelleborg Sealing Solutions recommends that the following surface finishes be observed:

**Table 5: Surface Roughness**

Parameter	Surface Roughness $\mu\text{m}$		Groove Surface
	Turcon® Materials	Zurcon® and Rubber	
$R_{max}$	0.63 - 2.50	1.00 - 4.00	< 16.0
$R_z$	0.40 - 1.60	0.63 - 2.50	< 10.0
$R_a$	0.05 - 0.20	0.10 - 0.40	< 1.6

The material contact area  $R_{mr}$  should be approximately 50 to 70%, determined at a cut depth  $c = 0.25 \times R_z$ , relative to a reference line of  $C_{ref}$ . 5%.

Surface profile	$R_a$	$R_z$	$R_{mr}$
closed profile form 	0.1	1.0	70%
open profile form 	0.2	1.0	15%

Figure 6: Profile forms of surfaces

Figure 6 shows two surface profiles, both of which exhibit nearly the same value for  $R_z$  in the test procedure. The difference becomes obvious when the material contact areas of the surface roughness profiles are compared. These show that the upper profile with  $R_{mr} = 70\%$  has the better seal to mating surface ratio.

**HARDWARE**

For optimum performance Trelleborg Sealing Solutions recommends a piston rod of chrome-plated steel.

Material:	Preferably 42CrMo4V, purity class K3 to DIN 50602.
Induction hardened	min. HRC 45
Hardening depth	min. 2.5 mm
Ground and hard chrome-plated, coating thickness	20 to 30 $\mu\text{m}$ , polished
Roughness	$R_a$ 0.1 to 0.3 $\mu\text{m}$ max. corresponding to N4 DIN/ISO 1302
Material contact area	$R_{mr} = 50$ to 70%
Cut depth	$c = 0.25 \times R_z$

For other rod materials, special coatings and treatments please contact your local Customer Solution Center.

## ■ Installation Instructions

The following points should be observed before installation of the seals:

- Ensure the piston rod has a lead-in chamfer; if not, use a calibration mandrel, see Figure 11.
- Deburr and chamfer, or round sharp edges, cover the tips of screw threads.
- Remove machining residue such as chips, dirt and other foreign particles, and carefully clean all parts.
- The seals can be installed more easily if the rod is greased or oiled. Attention must be paid to the compatibility of the seal materials with these lubricants. Use only grease without solid additives (e.g. molybdenum disulphide or zinc sulphide).
- Do not use tools with sharp edges.

### INSTALLATION IN SPLIT GROOVES

Installation in split grooves is problem-free. The sequence of installation corresponds to the configuration of the seal, whereby the individual seal elements must not be allowed to twist. During final installation (insertion of the piston rod into the seal), elastomer or spring-energized seals must be calibrated. The piston rod itself can be used for this purpose, provided that it has a long lead-in chamfer. Alternatively, a calibration mandrel should be used.

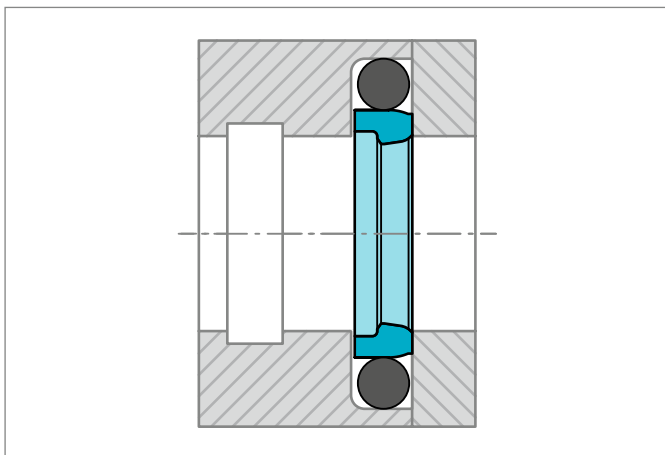


Figure 7: Installation in a split groove

### INSTALLATION IN CLOSED GROOVES

By following the instructions in each seal type description (sizes for closed or split grooves) or using the light series for Turcon® seals, installation of our rod seal elements at small diameters will be problem-free.

For Zurcon® and polyurethane seals, the use of installation tools is recommended. If installation has to be performed without installation tools, use the same sequence as for Turcon® elastomer energized seals:

- Place the O-Ring into the groove (not necessary with U-Cup seals).
- Compress the Turcon® or Zurcon® seals into a kidney shape while avoiding sharp bends see Figure 8.

When a rod seal with notches is folded into a kidney shape, take care to avoid bending the seal at the position of the notches as this may cause overstretch or damage to the seal material.

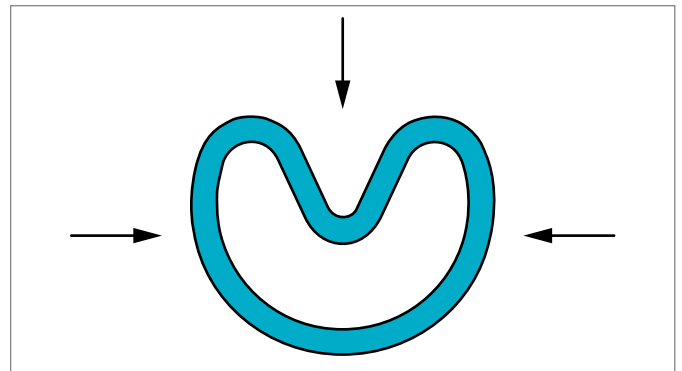


Figure 8: Kidney-shaped deformation of the seal ring

- Place the seal ring in compressed form into the groove and push against the O-Ring in the direction of the arrow and form the seal into a ring see Figure 9.

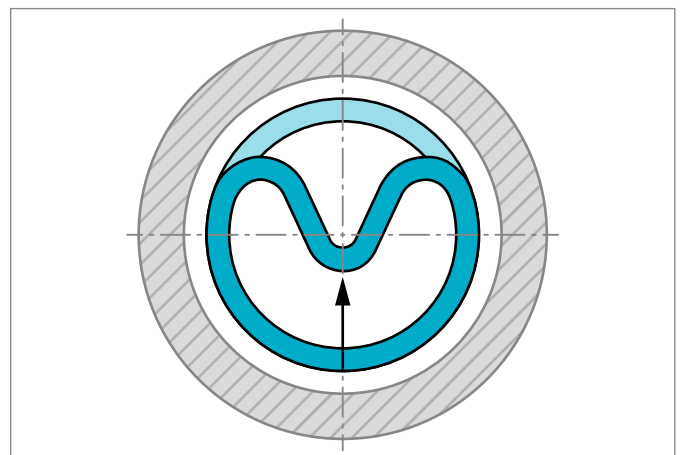


Figure 9: Inserting the seal ring into the closed groove



- Finally size the seal ring using a mandrel which should have a chamfer of 15° to 20° over at least the lead-in chamfer length  $Z_{min} \times 2$  see Table 2.

The calibration mandrel should be made from a polymer material (e.g. polyamide) with good sliding characteristics and high surface quality in order to avoid damage to the seals.

The piston rod itself can also be used for calibration, provided it has a sufficiently long lead-in chamfer.

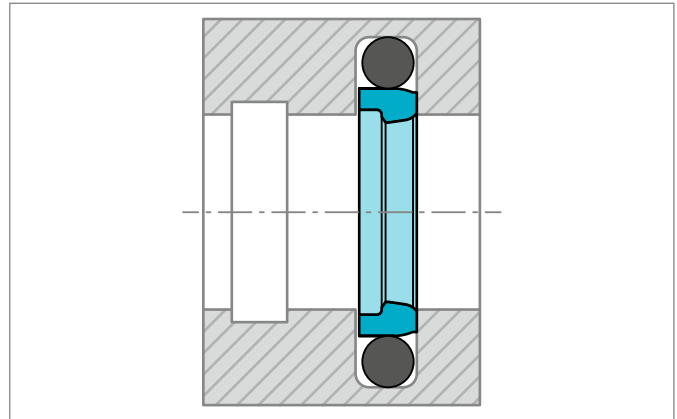


Figure 10: Installation in a closed groove

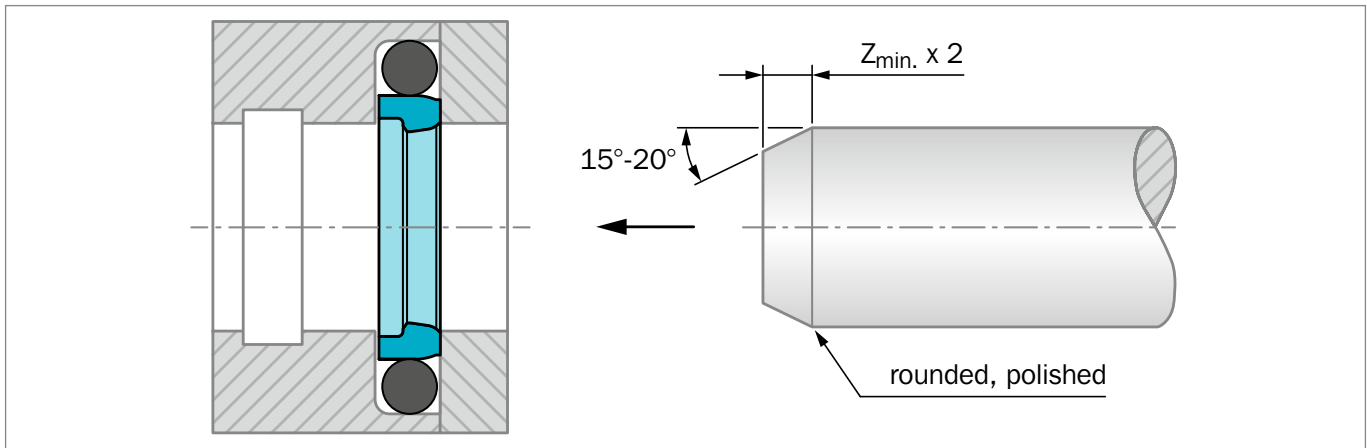


Figure 11: Calibration of the installed seal

**Table 6: Closed groove installation for Turcon® rod seals**

Stepseal® 2K and seals for similar groove sizes can be installed in closed grooves above the following rod diameters\*:

O-Ring Series	Rod Diameter $d_N$ mm	Materials
000	$\geq 12$	
100	$\geq 16$	
200	$\geq 19$	
300	$\geq 38$	Turcon® M04, M12, T05, T08, T10, T29, T40, T46.
400	$\geq 70$	
400 H	$\geq 200$	Zurcon® Z53, Z54, Z80
8.4**	$\geq 256$	
12.0***	$\geq 650$	

\* For diameter  $d_N$  below 30 mm and/or not very accessible grooves it is often essential to use installation tools.

\*\* O-Ring cross section according to SMS 1586

\*\*\* The energizer can have a special shape.

### INSTALLATION OF AQ-SEAL® AND AQ-SEAL® 5 WITH QUAD-RING® OR BEAN SEAL:

The same installation procedure for rod Stepseal® 2K may be used for AQ-Seal® or AQ-Seal® 5 - see Figure 8 and Figure 9 - except AQ-Seal® 5 uses different groove sizes. However, the Quad-Ring® and Bean Seal should not be fitted until the AQ-Seal® or AQ-Seal® 5 have been calibrated - see Figure 11.

### INSTALLATION HINT

AQ-Seal® and AQ-Seal® 5 with Quad-Ring® or Bean Seals are normally supplied without the Quad-Ring® / Bean Seal installed:

To assist mounting of the elastomer element after the AQ-Seal® or AQ-Seal® 5 ring has been calibrated, dental floss could be used to avoid twisting of the Quad-Ring® / Bean Seal - see Figure 12.

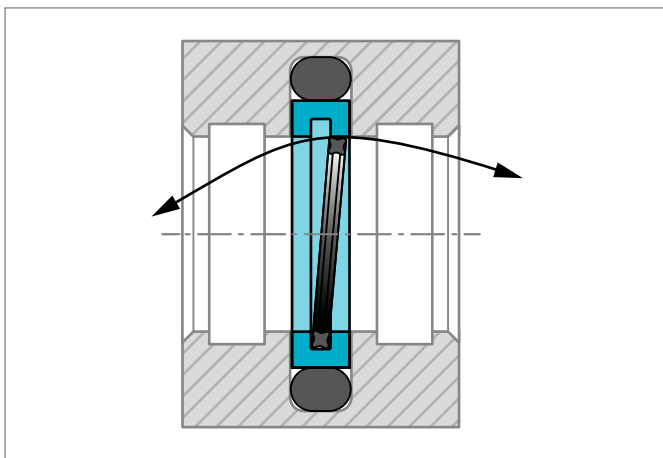


Figure 12: Installation of AQ-Seal® with Bean Seal for Rod

### INSTALLATION OF TURCON® VL SEAL®

Installation in closed grooves is possible for diameters according to Table 7.

**Table 7: Closed groove installation for VL Seal®**

Series No.	Rod Diameter $d_N$ mm
REL1	$\geq 30$
REL2	$\geq 30$
REL3	$\geq 50$
REL4	$\geq 80$
REL5	$\geq 125$
REL6	$\geq 400$

The O-Ring is inserted and positioned in the groove, then the seal is folded and inserted into the groove - see Figure 13.

The seal is folded out in the groove and is thereafter calibrated before the piston rod is inserted.

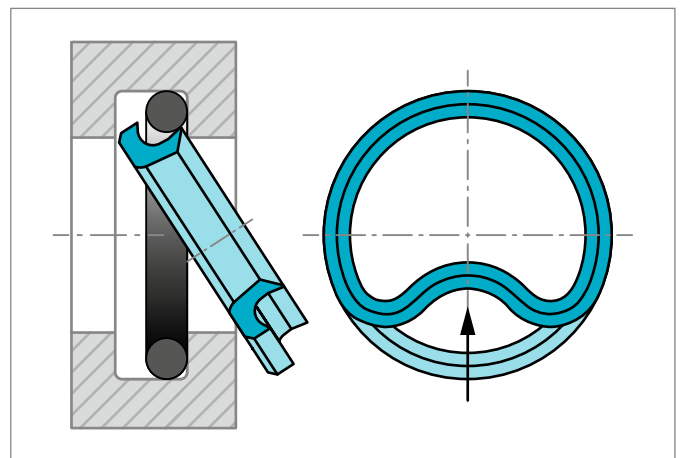


Figure 13: Installation of Rod VL Seal® in closed groove

**INSTALLATION OF DOUBLE DELTA®**

Installation in closed grooves is possible for diameters from 12 mm using the following procedure:

- Place the O-Ring into the groove.
- Compress the Turcon® seal into a kidney shape, while avoiding sharp bends - see Figure 14. When a rod seal with notches is folded in kidney shape, take care to avoid bending the seal at the position of the notches as this may cause overstretch or damage to the seal material.
- Place the seal ring in compressed form into the groove and push against the O-Ring in the direction of the arrow in the groove by hand - see Figure 15. For diameters smaller than 30 mm an inserter tube is recommended - see Figure 16.
- Finally, size the seal ring using a mandrel, see Figure 17, which should have a chamfer of 10° to 15° over a minimum length of 2 x lead-in chamfer length  $Z_{min}$  see Table 3

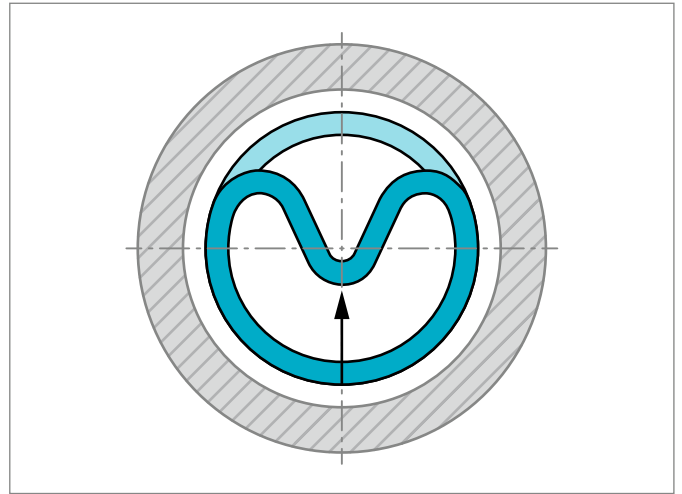


Figure 15: Inserting the seal ring into the closed groove

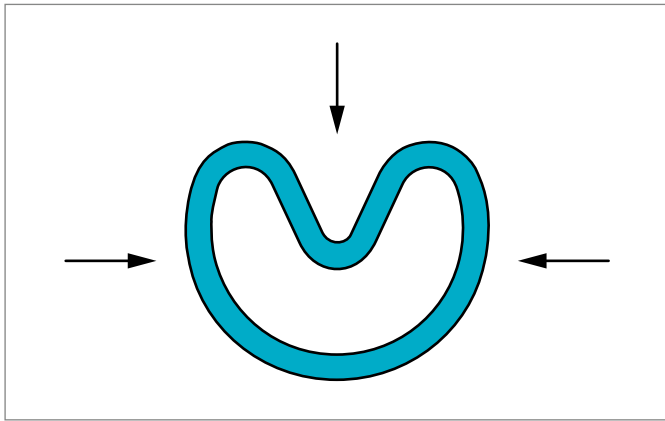


Figure 14: Kidney-shaped deformation

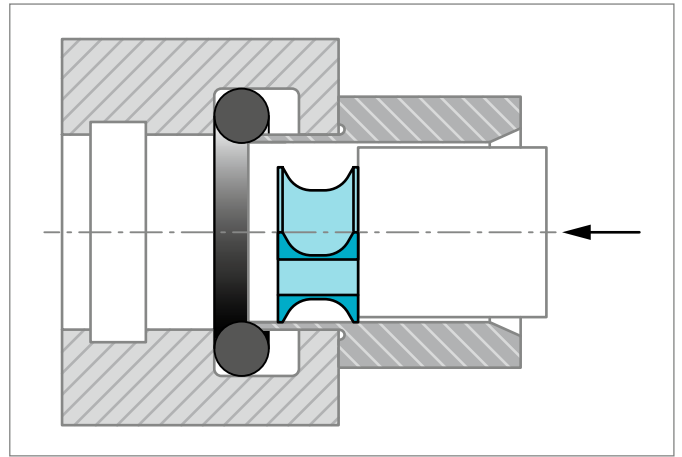


Figure 16: Insertion with an inserter tube

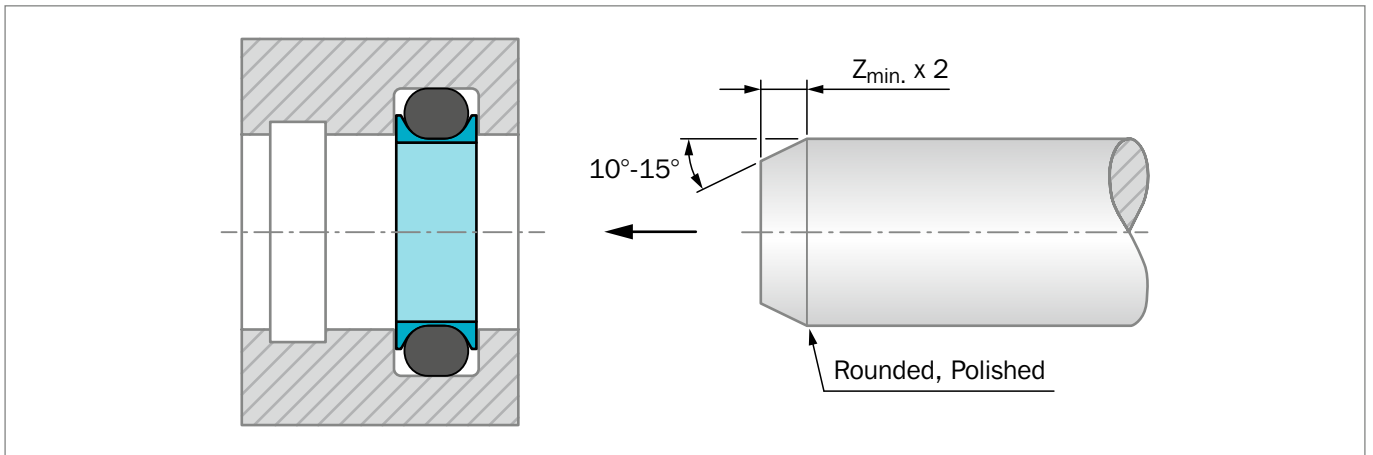


Figure 17: Calibration of the installed seal by means of a calibration mandrel

## INSTALLATION OF SPRING ENERGIZED SEALS

Turcon® Variseal® M2 and M2S seals should preferably be installed in split grooves.

Installation in half-open grooves is possible with a snap fitting. Figure 18 shows the design of the groove.

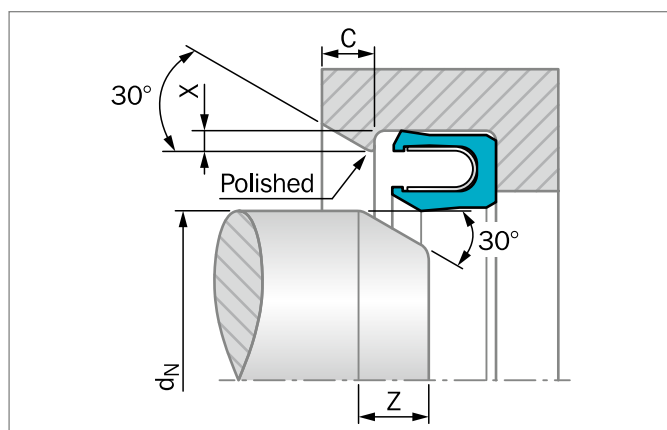


Figure 18: Installation in a half-open groove

**Table 8: Installation in Half-Open Grooves**

Serial-No.	X min.	d <sub>N</sub> min.	Length Z min.	C min.
RVA0 / RVC0	0.4	20.00	1.20	0.70
RVA1 / RVC1	0.6	30.00	1.50	1.10
RVA2 / RVC2	0.7	35.00	2.50	1.25
RVA3 / RVC3	0.8	40.00	4.50	1.40
RVA4 / RVC4	0.9	45.00	6.00	1.60
RVA5 / RVC5	1.5	80.00	11.00	2.60

RVC alongside the RVA references: RVA0 / RVC0

For further information, see Figure 80 and Figure 217 and Figure 60 and Figure 199.

In exceptional cases, or with existing designs, an installation in closed grooves is also possible. The details in Table 9 should be regarded as guide values for installation.

**Table 9: Installation in Closed Grooves**

Serial-No.	d <sub>N</sub> min.
RVA0 / RVC0	30
RVA1 / RVC1	70
RVA2 / RVC2	110
RVA3 / RVC3	300
RVA4 / RVC4	500
RVA5 / RVC5	800

RVC alongside the RVA references: RVA0 / RVC0



---

! This page is intentionally left blank.

# Turcon® Stepseal® 2K



---

Single-acting

---

Rubber-energized plastic-faced seal

---

**Material:**

Turcon®, Zurcon® and Elastomer

---



---

! This page is intentionally left blank.



## ■ Turcon® Stepseal® 2K\*



### ■ Description

Under all operating conditions, dynamic rod seals must not exhibit any leakage to the atmosphere side and must be completely leak tight when the machine is at a standstill.

Furthermore, they should achieve a high degree of mechanical efficiency through low friction and be easy to install in small grooves. Costs and service life must meet the high expectations of the operator.

The rod seal Turcon® Stepseal® 2K comes closest to satisfying these ideal demands. Since the first Stepseal® was patented, Trelleborg Sealing Solutions has maintained the series as technically outstanding through continuous innovation. Turcon® Stepseal® 2K marks the latest development.

The introduction of Stepseal® made it possible to arrange several seals in sequence, thus allowing statically and dynamically tight double-acting tandem seal configurations to be created, while avoiding build-up of intermediate pressure. The single-acting seal element is made of high-grade Turcon® or Zurcon® materials with outstanding sliding and wear resistance properties. It is installed in Trelleborg Sealing Solutions standard Stepseal® grooves as well as ISO 7425-2 seal housing, using an O-Ring as an energizing element.

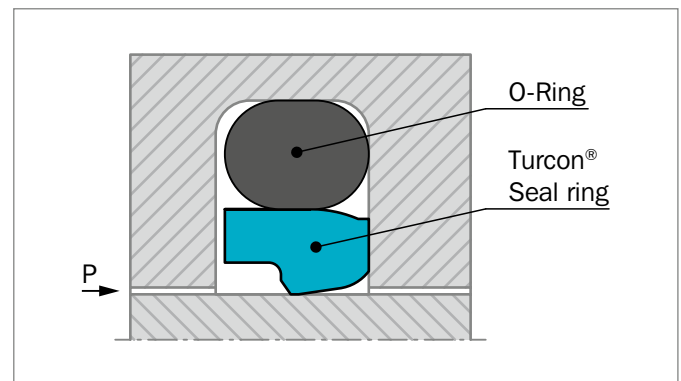


Figure 19: Turcon® Stepseal® 2K

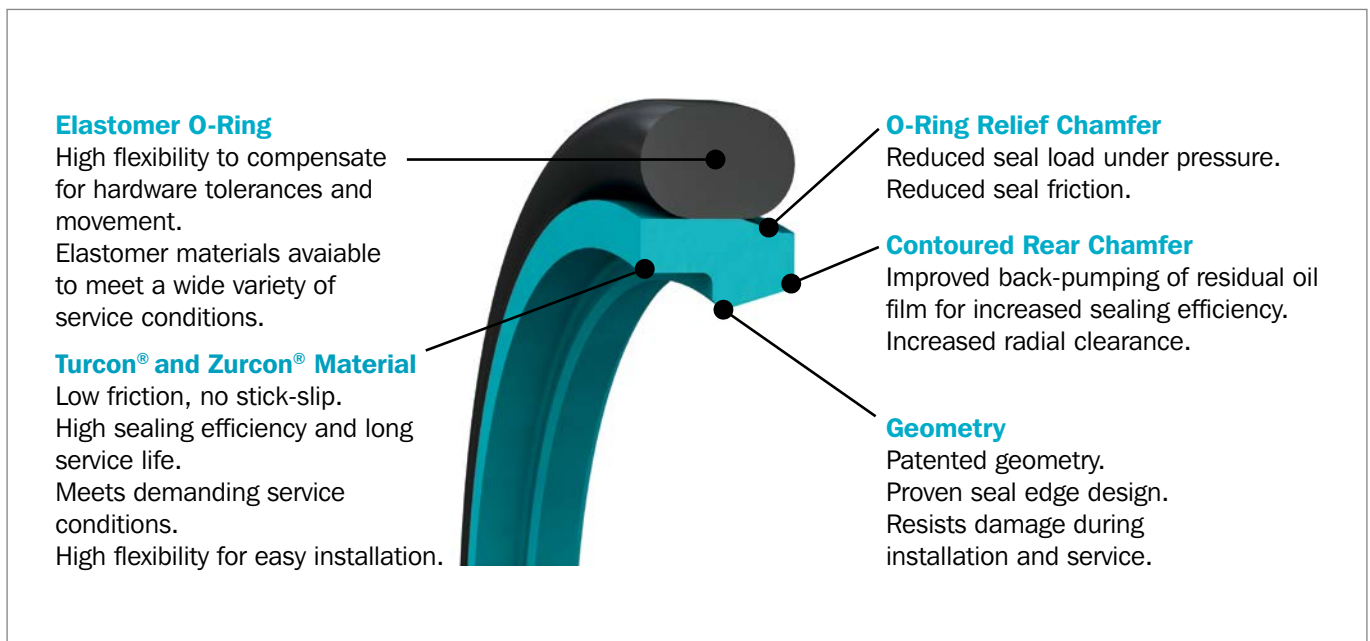


Figure 20: Turcon® Stepseal® 2K design features

\* Patent application: WO 00/75539 A1



## METHOD OF OPERATION

The sealing performance of Turcon® Stepseal® 2K (Figure 19) results from its hydrodynamic properties. The classic Stepseal® seal edge creates a steep contact pressure gradient on the high pressure side and a shallow contact pressure gradient on the low pressure side. The controlled pressure gradients minimize fluid adherence to the piston rod during the extending stroke, and enables residual fluid film on the rod to be returned into the system on the return stroke. This is united with patented design features which further improve the performance of Stepseal® 2K under severe service conditions.

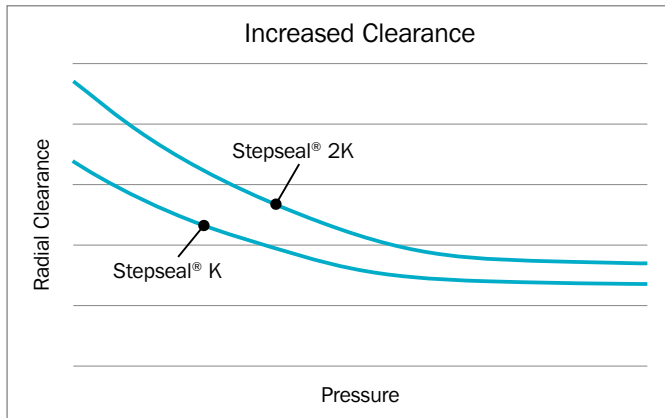


Figure 21: Turcon® Stepseal® 2K possesses superior extrusion resistance and allows increased hardware clearance

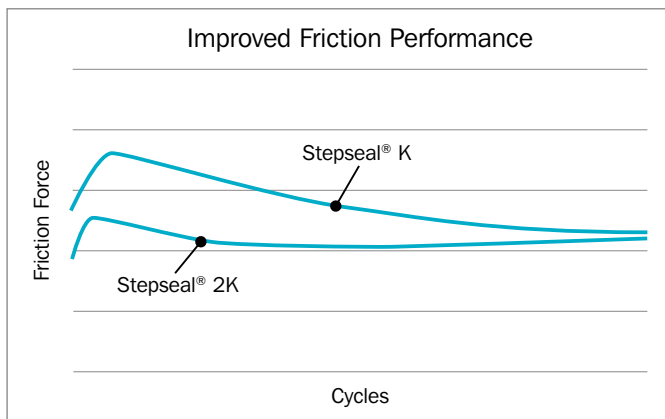


Figure 22: Turcon® Stepseal® 2K offers a uniform, low-friction characteristic

The O-Ring relief chamfer reduces pressure loading on the seal, whereby contact with the rod is optimised and sealing performance is improved at high service pressures. The special high-lift rear chamfer combines a smooth downstream sealing face with the ability to meet large radial clearances and hardware tolerances.

Stepseal® 2K gives high static and dynamic sealing performance, and the build-up of intermediate pressure often found with tandem seal configurations (Figure 23) is efficiently suppressed.

## ADVANTAGES

- High static and dynamic sealing effect
- High extrusion resistance, allowing large hardware clearances
- Low friction, high efficiency
- Stick-slip free operation
- High abrasion resistance, high operational reliability
- Wide range of application temperatures and high resistance to chemicals, depending on the choice of O-Ring material
- Simple installation without seal edge deformation
- Available for all diameters up to 2,600 mm rod diameter
- Fits standard Stepseal® 2K groove dimensions as well as ISO 7425 seal housings

## APPLICATION EXAMPLES

- Mobile hydraulics
- Construction equipment
- Mining
- Standard cylinders
- Machine tools
- Injection molding machines
- Presses
- Clamp cylinders
- Wind turbines
- Automotive industry
- Shock absorbers
- Hydraulic hammers
- Servo hydraulics





## OPERATING CONDITIONS

<b>Pressure:</b>	Up to 60 MPa
<b>Speed:</b>	Up to 15 m/s with reciprocating movements, frequency up to 5 Hz
<b>Temperature:</b>	-45 °C to +200 °C depending on O-Ring material
<b>Media:</b>	Mineral oil-based hydraulic fluids, flame retardant hydraulic fluids, environmentally friendly hydraulic fluids (bio-oils), phosphate ester, water and others, depending on the O-Ring material compatibility (see Table 11)
<b>Clearance:</b>	The maximum permissible radial clearance $S_{max}$ is shown in Table 12, as a function of the operating pressure and functional diameter.

### IMPORTANT NOTE

The above data are maximum values and cannot be used at the same time, e.g. the maximum operating speed depends on material type, pressure, temperature and gap value. Temperature range also depends on media.

## SERIES

Different cross section sizes are recommended as a function of the seal diameters.

Table 12 shows the relationship between the series number according to the seal diameter range and the different application class sizes. These application classes are:

Standard application:	General applications without exceptional operating conditions.
Light application:	Applications with demands for reduced friction or for smaller grooves.
Heavy-duty application:	For exceptional operating loads such as high pressures, pressure peaks, etc.

**Table 10: Available Range**

Series No.	Rod Diameter $d_N$ f8/h9
RSK00	1.5 - 130.0
RSK10	6.0 - 250.0
RSK20	8.0 - 450.0
RSK30	12.0 - 650.0
RSK40	38.0 - 650.0
RSK80	140.0 - 999.9
RSK50	180.0 - 999.9
RSK5X	1,000.0 - 1,200.0
RSK60	650.0 - 999.9
RSK6X	1,000.0 - 2,600.0

For the Standard Recommendations Application range see Table 12.

## ISO GROOVE

Stepseal® 2K is installed in Trelleborg Sealing Solutions standard Stepseal® grooves or according to ISO 7425-2 seal housing.

## REDUNDANT SEALING SYSTEM

In many applications, secondary seal systems are required. Figure 23 shows a tandem configuration with the Stepseal® 2K.

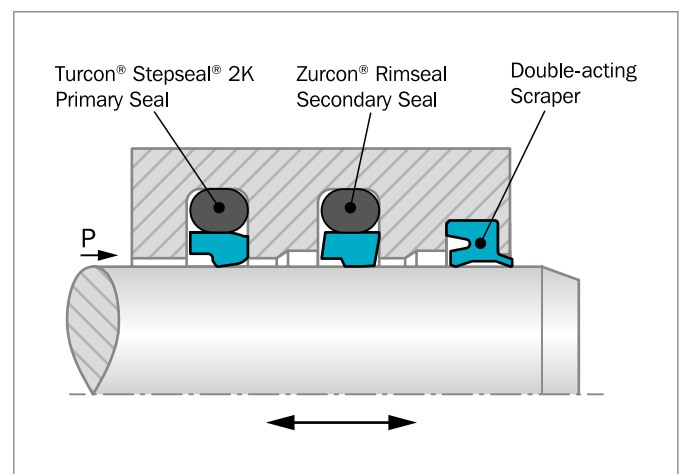


Figure 23: Turcon® Stepseal® 2K and Zurcon® Rimseal in tandem configuration

In this configuration it must be noted that a sufficiently large space is formed between the seals to take the hydraulic fluid, as shown in the figure.



Depending on the application and the operating conditions, the combination of different materials offers a further improvement in the sealing efficiency and the service life of the system, e.g. in hydraulic cylinders subject to high loads and under rough operating conditions, the primary seal should be made of Turcon® and the secondary seal of Zurcon®.

Stepseal® 2K elements should always be used in combination with a double-acting scraper to provide optimum sealing effect.

The scrapers Turcon® Excluder® 2, Turcon® Excluder® 5, Turcon® Excluder® F, Zurcon® Excluder® 500, DA17, DA22 and DA24 are well suited to such applications. For further details, please refer to the Scrapers section in this catalog.

### INSTALLATION INSTRUCTIONS

Stepseal® 2K is installed according to information on page 39 and 40.

Closed groove installation according to dimensions in Table 6 page 40.

### RECOMMENDED MATERIALS

The following material combinations have proven effective for hydraulic applications:

#### Turcon® Stepseal® 2K in Turcon® M12

All round material for light to heavy hydraulic applications with linear, short stroke or helical movements in mineral oils, flame retardant hydraulic fluids, phosphate ester, bio-oils or fluids having low lubricating properties:

O-Ring	NBR 70 Shore A	N
	FKM 70 Shore A	V

Set Code: M12N or M12V

#### Turcon® Stepseal® 2K in Turcon® T46

For medium to heavy applications with linear movements in mineral oils and other media with good lubrication:

O-Ring:	NBR 70 Shore A	N
	FKM 70 Shore A	V

Set Code: T46N or T46V

For specific applications, all Turcon® materials are available. Other material combinations are listed in Table 11.

**Table 11: Turcon® and Zurcon® Materials for Stepseal® 2K**

Material, Applications, Properties	Code	O-Ring Material Shore A	Code	O-Ring Operating Temp. * °C	Mating Surface Material	MPa max. Dynamic
<b>Turcon® M12</b> First material choice for seals in linear motion Overall improved properties For new constructions and updating For all commonly applied hydraulic fluids including fluids with low lubrication performance Lowest friction and best sliding properties Lowest wear on seals Improved absorption of abrasive contaminants Low wear or abrasion of counter surface BAM tested Mineral fiber and additives filled Color: Dark gray	M12	NBR 70	N	-30 to +100	Steel	50
		NBR 70 Low temp.	T	-45 to +80	Steel hardened Steel chrome plated (rod) Steel plated (rod) Cast iron Stainless steel Titanium	
		FKM 70	V	-10 to +200		
<b>Turcon® T05</b> For lubricating fluids Also for gas service Very low friction Very good sliding and sealing properties Color: Turquoise	T05	NBR 70	N	-30 to +100	Steel	20
		NBR 70 Low temp.	T	-45 to +80	Steel hardened Steel chrome plated (rod)	
		FKM 70	V	-10 to +200		
<b>Turcon® T08</b> For lubricating fluids and linear motion Very high compressive strength and extrusion resistance Hard counter surfaces is recommended Bronze filled Color: Light to dark brown, which may have variations in shading	T08	NBR 70	N	-30 to +100	Steel hardened	60
		NBR 70 Low temp.	T	-45 to +80	Steel chrome plated (rod) Cast iron	
		FKM 70	V	-10 to +200		
<b>Turcon® T10</b> For hydraulic and pneumatic For lubricating and non-lubricating fluids High extrusion resistance Good chemical resistance Not for electrically conducting fluids BAM tested Carbon, graphite filled Color: Black	T10	NBR 70	N	-30 to +100	Steel	40
		NBR 70 Low temp.	T	-45 to +80	Steel hardened Steel chrome plated (rod) Stainless steel	
		FKM 70	V	-10 to +200		
		EPDM 70	E**	-45 to +145		
<b>Turcon® T29</b> For lubricating and non-lubricating fluids Good extrusion resistance Surface texture is not suitable for gas sealing Not for electrically conducting fluids Carbon fiber filled Color: Gray	T29	NBR 70	N	-30 to +100	Steel	30
		NBR 70 Low temp.	T	-45 to +80	Steel hardened Steel chrome plated (rod) Cast iron Stainless steel	
		FKM 70	V	-10 to +200		
		EPDM 70	E**	-45 to +145		

Table continues on next page



Material, Applications, Properties	Code	O-Ring Material Shore A	Code	O-Ring Operating Temp. * °C	Mating Surface Material	MPa max. Dynamic
<b>Turcon® T40</b> For lubricating and non-lubricating fluids High frequency and short strokes Water hydraulics Surface texture is not suitable for gas sealing Carbon fiber filled Color: Gray	T40	NBR 70	N	-30 to +100	Steel	25
		NBR 70 Low temp.	T	-45 to +80	Steel hardened Steel chrome plated (rod) Cast iron	
		FKM 70	V	-10 to +200	Stainless steel	
		EPDM 70	E**	-45 to +145	Aluminum	
<b>Turcon® T46</b> For lubricated hydraulics in linear motion High compressive strength High extrusion resistance Very good sliding and wear properties BAM tested Bronze filled Color: Light to dark brown, which may have variations in shading	T46	NBR 70	N	-30 to +100	Steel hardened	50
		NBR 70 Low temp.	T	-45 to +80	Steel chrome plated (rod) Cast iron	
		FKM 70	V	-10 to +200		
<b>Zurcon® Z53***</b> For mineral oil based fluids Very high abrasion and extrusion resistance For counter surfaces with rougher surface finish Limited chemical resistance Max. working temperature +110 °C Cast polyurethane Color: Yellow to light-brown	Z53	NBR 70	N	-30 to +100	Steel	60
		NBR 70 Low temp.	T	-45 to +80	Steel hardened Steel chrome plated (rod) Cast iron Stainless steel Ceramic coating	
<b>Zurcon® Z80</b> For lubricating and non-lubricating fluids Water based fluids, air and gases Dry air pneumatics High abrasion and extrusion resistance For service in abrasive conditions and media with particles Good chemical resistance Limited temperature capability (-60 to +80 °C) UHMWPE (Ultra High Molecular Weight Polyethylene) Color: White to off-white	Z80	NBR 70	N	-30 to (+100)	Steel	35
		NBR 70 Low temp.	T	-45 to +80	Steel hardened Steel chrome plated (rod) Stainless steel Aluminum Ceramic coating	
		EPDM 70	E**	-45 to (+145)		

\* The O-Ring operation temperature is only valid in mineral hydraulic oil (except EPDM).

\*\* Material not suitable for mineral oils.

\*\*\* Max. diameter 2,200 mm.

BAM: Tested by "Bundesanstalt Materialprüfung, Germany".

  Highlighted materials are recommended.



## Installation Recommendation

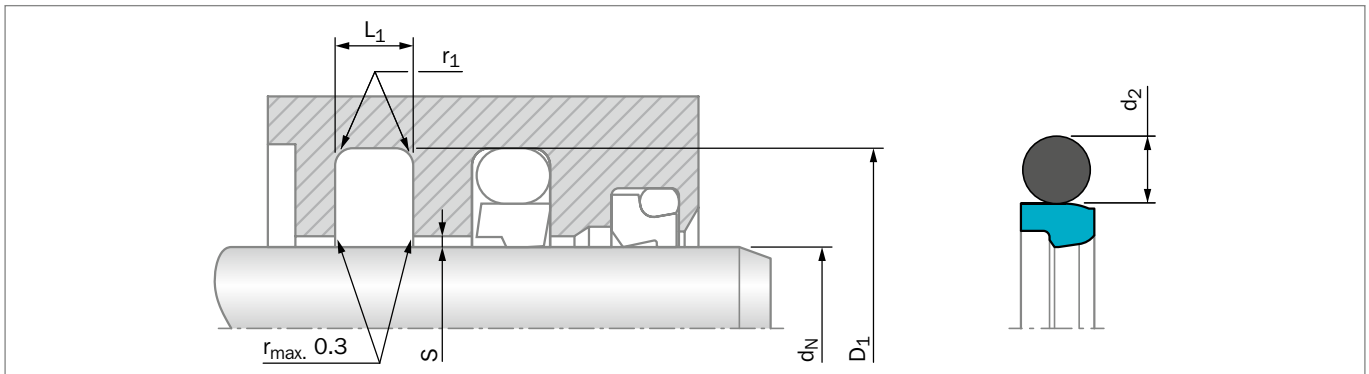


Figure 24: Installation Drawing

Table 12: Installation Dimensions – Standard Recommendations

Series No.	Rod Diameter $d_N$ f8/h9			Groove Diameter $D_1$ H9	Groove Width $L_1$ +0.2	Radius $r_1$ max	Radial Clearance $S_{max}$ *			O-Ring Cross Section $d_2$
	Standard Application	Light Application**	Heavy Duty Application				10 MPa	20 MPa	40 MPa	
RSK0	3 - 7.9	8 - 18.9	-	$d_N + 4.9$	2.2	0.4	0.30	0.20	0.15	1.78
RSK1	8 - 18.9	19 - 37.9	-	$d_N + 7.3$	3.2	0.6	0.40	0.25	0.15	2.62
RSK2	19 - 37.9	38 - 199.9	8 - 18.9	$d_N + 10.7$	4.2	1.0	0.50	0.30	0.20	3.53
RSK3	38 - 199.9	200 - 255.9	19 - 37.9	$d_N + 15.1$	6.3	1.3	0.70	0.40	0.25	5.33
RSK4	200 - 255.9	256 - 649.9	38 - 199.9	$d_N + 20.5$	8.1	1.8	0.80	0.60	0.35	7.00
RSK8	256 - 649.9	650 - 999.9	200 - 255.9	$d_N + 24.0$	8.1	1.8	0.90	0.70	0.40	7.00
RSK5	650 - 999.9	-	256 - 649.9	$d_N + 27.3$	9.5	2.5	1.00	0.80	0.50	8.40
RSK5X	-	1,000 - 1,200	-	$d_N + 27.3$	9.5	2.5	1.00	0.80	0.50	8.40
RSK6***	-	-	650 - 999.9	$d_N + 38.0$	13.8	3.0	1.20	0.90	0.60	12.00
RSK6X***	1,000 - 2,600	-	-	$d_N + 38.0$	13.8	3.0	1.20	0.90	0.60	12.00

\* At pressures > **40 MPa** use diameter tolerance H8/f8 (bore/rod) in the area behind seal or consult your local Customer Solution Center for alternative material or profiles.

Slydring® / Wear Rings are not applicable at very small radial clearances, please consult the Slydring® section in this catalog.

\*\* For easier installation in closed grooves with small rod diameters < 40 mm.

\*\*\* All O-Rings with 12 mm cross section are delivered as a special profile ring.

## ORDERING EXAMPLE

Turcon® Stepseal® 2K complete with O-Ring, standard application:

**Series:** RSK4 from Table 12

**Rod diameter:**  $d_N = 250.0$  mm

**TSS Part No.:** RSK402500 from Table 13

Select the material from Table 11. The corresponding code numbers are appended to the TSS Part No. Together these form the TSS Article Number. The TSS Article Number for all intermediate sizes can be determined by following the example:

<b>TSS Article No.</b>	<b>RSK4</b>	<b>0</b>	<b>2500</b>	<b>-</b>	<b>M12</b>	<b>N</b>
TSS Series No.	_____	_____	_____	_____	_____	_____
Type (Standard)	_____	_____	_____	_____	_____	_____
Rod Diameter x 10****	_____	_____	_____	_____	_____	_____
Quality Index (Standard)	_____	_____	_____	_____	_____	_____
Material Code (Seal Ring)	_____	_____	_____	_____	_____	_____
Material code (O-Ring)	_____	_____	_____	_____	_____	_____

\*\*\*\* For diameters  $d_N$  1,000.0 mm multiply only by factor 1.  
Example: RSK6 for diameter  $d_N = 1,200.0$  mm.  
TSS Article No.: RSK6**X**1200-M12N.





**Table 13: Installation Dimensions / TSS Part No.**

Rod Dia.	Groove Dia.	Groove Width	TSS Part No.	O-Ring Size	Rod Dia.	Groove Dia.	Groove Width	TSS Part No.	O-Ring Size
$d_N$ f8/h9	$D_1$ H9	$L_1$ +0.2			$d_N$ f8/h9	$D_1$ H9	$L_1$ +0.2		
3.0	7.9	2.2	RSK000030	4.80 x 1.80	<b>32.0</b>	<b>39.3</b>	<b>3.2</b>	<b>RSK100320</b>	<b>34.59 x 2.62</b>
<b>4.0</b>	<b>8.9</b>	<b>2.2</b>	<b>RSK000040</b>	<b>5.60 x 1.80</b>	<b>32.0</b>	<b>42.7</b>	<b>4.2</b>	<b>RSK200320</b>	<b>36.09 x 3.53</b>
<b>5.0</b>	<b>9.9</b>	<b>2.2</b>	<b>RSK000050</b>	<b>6.70 x 1.80</b>	34.0	44.7	4.2	RSK200340	37.69 x 3.53
<b>6.0</b>	<b>10.9</b>	<b>2.2</b>	<b>RSK000060</b>	<b>7.65 x 1.78</b>	35.0	42.3	3.2	RSK100350	37.77 x 2.62
7.0	11.9	2.2	RSK000070	8.75 x 1.80	35.0	45.7	4.2	RSK200350	37.69 x 3.53
<b>8.0</b>	<b>12.9</b>	<b>2.2</b>	<b>RSK000080</b>	<b>9.50 x 1.80</b>	<b>36.0</b>	<b>43.3</b>	<b>3.2</b>	<b>RSK100360</b>	<b>39.34 x 2.62</b>
<b>8.0</b>	<b>15.3</b>	<b>3.2</b>	<b>RSK100080</b>	<b>10.77 x 2.62</b>	<b>36.0</b>	<b>46.7</b>	<b>4.2</b>	<b>RSK200360</b>	<b>40.87 x 3.53</b>
9.0	13.9	2.2	RSK000090	10.82 x 1.78	37.0	44.3	3.2	RSK100370	39.34 x 2.62
9.0	16.3	3.2	RSK100090	10.77 x 2.62	37.0	47.7	4.2	RSK200370	40.87 x 3.53
<b>10.0</b>	<b>14.9</b>	<b>2.2</b>	<b>RSK000100</b>	<b>11.80 x 1.80</b>	38.0	48.7	4.2	RSK200380	40.87 x 3.53
<b>10.0</b>	<b>17.3</b>	<b>3.2</b>	<b>RSK100100</b>	<b>12.37 x 2.62</b>	38.0	53.1	6.3	RSK300380	43.82 x 5.33
<b>12.0</b>	<b>16.9</b>	<b>2.2</b>	<b>RSK000120</b>	<b>14.00 x 1.78</b>	<b>40.0</b>	<b>50.7</b>	<b>4.2</b>	<b>RSK200400</b>	<b>44.04 x 3.53</b>
<b>12.0</b>	<b>19.3</b>	<b>3.2</b>	<b>RSK100120</b>	<b>14.50 x 2.65</b>	<b>40.0</b>	<b>55.1</b>	<b>6.3</b>	<b>RSK300400</b>	<b>43.82 x 5.33</b>
12.7	17.6	2.2	RSK000127	14.00 x 1.78	42.0	52.7	4.2	RSK200420	47.22 x 3.53
12.7	20.0	3.2	RSK100127	15.54 x 2.62	42.0	57.1	6.3	RSK300420	46.99 x 5.33
<b>14.0</b>	<b>18.9</b>	<b>2.2</b>	<b>RSK000140</b>	<b>15.60 x 1.78</b>	43.0	53.7	4.2	RSK200430	47.22 x 3.53
<b>14.0</b>	<b>21.3</b>	<b>3.2</b>	<b>RSK100140</b>	<b>17.12 x 2.62</b>	44.4	59.5	6.3	RSK300444	50.17 x 5.33
15.0	19.9	2.2	RSK000150	17.17 x 1.78	<b>45.0</b>	<b>55.7</b>	<b>4.2</b>	<b>RSK200450</b>	<b>50.39 x 3.53</b>
15.0	22.3	3.2	RSK100150	18.00 x 2.65	<b>45.0</b>	<b>60.1</b>	<b>6.3</b>	<b>RSK300450</b>	<b>50.17 x 5.33</b>
<b>16.0</b>	<b>20.9</b>	<b>2.2</b>	<b>RSK000160</b>	<b>17.17 x 1.78</b>	48.0	58.7	4.2	RSK200480	53.57 x 3.53
<b>16.0</b>	<b>23.3</b>	<b>3.2</b>	<b>RSK100160</b>	<b>18.72 x 2.62</b>	48.0	63.1	6.3	RSK300480	53.34 x 5.33
17.0	21.9	2.2	RSK000170	18.77 x 1.78	<b>50.0</b>	<b>60.7</b>	<b>4.2</b>	<b>RSK200500</b>	<b>53.57 x 3.53</b>
<b>18.0</b>	<b>22.9</b>	<b>2.2</b>	<b>RSK000180</b>	<b>20.35 x 1.78</b>	<b>50.0</b>	<b>65.1</b>	<b>6.3</b>	<b>RSK300500</b>	<b>56.52 x 5.33</b>
<b>18.0</b>	<b>25.3</b>	<b>3.2</b>	<b>RSK100180</b>	<b>20.29 x 2.62</b>	50.8	61.5	4.2	RSK200508	53.57 x 3.53
19.0	29.7	4.2	RSK200190	23.40 x 3.53	50.8	65.9	6.3	RSK300508	56.52 x 5.33
<b>20.0</b>	<b>27.3</b>	<b>3.2</b>	<b>RSK100200</b>	<b>21.89 x 2.62</b>	52.0	62.7	4.2	RSK200520	56.74 x 3.53
<b>20.0</b>	<b>30.7</b>	<b>4.2</b>	<b>RSK200200</b>	<b>25.00 x 3.53</b>	52.0	67.1	6.3	RSK300520	56.52 x 5.33
<b>22.0</b>	<b>29.3</b>	<b>3.2</b>	<b>RSK100220</b>	<b>25.07 x 2.62</b>	54.0	69.1	6.3	RSK300540	59.69 x 5.33
<b>22.0</b>	<b>32.7</b>	<b>4.2</b>	<b>RSK200220</b>	<b>26.58 x 3.53</b>	55.0	65.7	4.2	RSK200550	59.92 x 3.53
24.0	31.3	3.2	RSK100240	26.64 x 2.62	55.0	70.1	6.3	RSK300550	59.69 x 5.33
<b>25.0</b>	<b>32.3</b>	<b>3.2</b>	<b>RSK100250</b>	<b>28.24 x 2.62</b>	<b>56.0</b>	<b>66.7</b>	<b>4.2</b>	<b>RSK200560</b>	<b>59.92 x 3.53</b>
<b>25.0</b>	<b>35.7</b>	<b>4.2</b>	<b>RSK200250</b>	<b>29.75 x 3.53</b>	<b>56.0</b>	<b>71.1</b>	<b>6.3</b>	<b>RSK300560</b>	<b>62.87 x 5.33</b>
25.4	32.7	3.2	RSK100254	28.24 x 2.62	<b>56.0</b>	<b>76.5</b>	<b>8.1</b>	<b>RSK400560</b>	<b>64 x 7.00</b>
25.4	36.1	4.2	RSK200254	29.75 x 3.53	57.0	72.1	6.3	RSK300570	62.87 x 5.33
26.0	33.3	3.2	RSK100260	28.24 x 2.62	59.0	69.7	4.2	RSK200590	63.09 x 3.53
26.0	36.7	4.2	RSK200260	29.75 x 3.53	60.0	70.7	4.2	RSK200600	63.09 x 3.53
<b>28.0</b>	<b>35.3</b>	<b>3.2</b>	<b>RSK100280</b>	<b>29.82 x 2.62</b>	60.0	75.1	6.3	RSK300600	66.04 x 5.33
<b>28.0</b>	<b>38.7</b>	<b>4.2</b>	<b>RSK200280</b>	<b>32.92 x 3.53</b>	<b>63.0</b>	<b>73.7</b>	<b>4.2</b>	<b>RSK200630</b>	<b>66.27 x 3.53</b>
28.575	35.875	3.2	RSK100286	31.42 x 2.62	<b>63.0</b>	<b>78.1</b>	<b>6.3</b>	<b>RSK300630</b>	<b>69.22 x 5.33</b>
30.0	37.3	3.2	RSK100300	32.99 x 2.62	63.5	78.6	6.3	RSK300635	69.22 x 5.33
30.0	40.7	4.2	RSK200300	34.52 x 3.53	65.0	75.7	4.2	RSK200650	69.44 x 3.53



Rod Dia.	Groove Dia.	Groove Width	TSS Part No.	O-Ring Size	Rod Dia.	Groove Dia.	Groove Width	TSS Part No.	O-Ring Size
$d_N$ f8/h9	$D_1$ H9	$L_1$ +0.2			$d_N$ f8/h9	$D_1$ H9	$L_1$ +0.2		
65.0	80.1	6.3	RSK300650	69.22 x 5.33	<b>125.0</b>	<b>140.1</b>	<b>6.3</b>	<b>RSK301250</b>	<b>129.54 x 5.33</b>
67.0	77.7	4.2	RSK200670	72.62 x 3.53	<b>125.0</b>	<b>145.5</b>	<b>8.1</b>	<b>RSK401250</b>	<b>132.72 x 7.00</b>
69.0	84.1	6.3	RSK300690	75.57 x 5.33	125.4	140.5	6.3	RSK301254	132.72 x 5.33
<b>70.0</b>	<b>80.7</b>	<b>4.2</b>	<b>RSK200700</b>	<b>75.79 x 3.53</b>	127.0	142.1	6.3	RSK301270	132.72 x 5.33
<b>70.0</b>	<b>85.1</b>	<b>6.3</b>	<b>RSK300700</b>	<b>75.57 x 5.33</b>	130.0	145.1	6.3	RSK301300	135.89 x 5.33
<b>70.0</b>	<b>90.5</b>	<b>8.1</b>	<b>RSK400700</b>	<b>78 x 7.00</b>	130.0	150.5	8.1	RSK401300	139.07 x 7.00
72.0	82.7	4.2	RSK200720	75.79 x 3.53	132.0	147.1	6.3	RSK301320	139.07 x 5.33
73.0	88.1	6.3	RSK300730	78.74 x 5.33	135.0	145.7	4.2	RSK201350	139.29 x 3.53
75.0	85.7	4.2	RSK200750	78.97 x 3.53	135.0	150.1	6.3	RSK301350	142.24 x 5.33
75.0	90.1	6.3	RSK300750	81.92 x 5.33	137.0	152.1	6.3	RSK301370	142.24 x 5.33
76.2	91.3	6.3	RSK300762	81.92 x 5.33	138.0	153.1	6.3	RSK301380	142.24 x 5.33
78.0	93.1	6.3	RSK300780	85.09 x 5.33	140.0	150.7	4.2	RSK201400	145.64 x 3.53
<b>80.0</b>	<b>90.7</b>	<b>4.2</b>	<b>RSK200800</b>	<b>85.32 x 3.53</b>	<b>140.0</b>	<b>155.1</b>	<b>6.3</b>	<b>RSK301400</b>	<b>145.42 x 5.33</b>
<b>80.0</b>	<b>95.1</b>	<b>6.3</b>	<b>RSK300800</b>	<b>85.09 x 5.33</b>	140.0	160.5	8.1	RSK401400	148.59 x 7.00
<b>80.0</b>	<b>100.5</b>	<b>8.1</b>	<b>RSK400800</b>	<b>88 x 7.00</b>	140.5	155.6	6.3	RSK301405	145.42 x 5.33
82.5	97.6	6.3	RSK300825	88.27 x 5.33	145.0	160.1	6.3	RSK301450	151.77 x 5.33
83.0	93.7	4.2	RSK200830	88.49 x 3.53	145.0	165.5	8.1	RSK401450	151.77 x 7.00
85.0	95.7	4.2	RSK200850	88.49 x 3.53	150.0	165.1	6.3	RSK301500	158.12 x 5.33
85.0	100.1	6.3	RSK300850	91.44 x 5.33	150.0	170.5	8.1	RSK401500	158.12 x 7.00
85.0	105.5	8.1	RSK400850	93 x 7.00	153.0	168.1	6.3	RSK301530	158.12 x 5.33
89.0	104.1	6.3	RSK300890	94.62 x 5.33	155.0	170.1	6.3	RSK301550	158.12 x 5.33
<b>90.0</b>	<b>100.7</b>	<b>4.2</b>	<b>RSK200900</b>	<b>94.84 x 3.53</b>	<b>160.0</b>	<b>175.1</b>	<b>6.3</b>	<b>RSK301600</b>	<b>164.47 x 5.33</b>
<b>90.0</b>	<b>105.1</b>	<b>6.3</b>	<b>RSK300900</b>	<b>94.62 x 5.33</b>	<b>160.0</b>	<b>180.5</b>	<b>8.1</b>	<b>RSK401600</b>	<b>170.82 x 7.00</b>
<b>90.0</b>	<b>110.5</b>	<b>8.1</b>	<b>RSK400900</b>	<b>98 x 7.00</b>	165.0	180.1	6.3	RSK301650	170.82 x 5.33
92.0	102.7	4.2	RSK200920	98.02 x 3.53	170.0	185.1	6.3	RSK301700	177.17 x 5.33
92.0	107.1	6.3	RSK300920	97.79 x 5.33	170.0	190.5	8.1	RSK401700	177.17 x 7.00
95.0	105.7	4.2	RSK200950	101.19 x 3.53	173.0	188.1	6.3	RSK301730	177.17 x 5.33
95.0	110.1	6.3	RSK300950	100.97 x 5.33	175.0	190.1	6.3	RSK301750	183.52 x 5.33
<b>100.0</b>	<b>110.7</b>	<b>4.2</b>	<b>RSK201000</b>	<b>104.37 x 3.53</b>	<b>180.0</b>	<b>195.1</b>	<b>6.3</b>	<b>RSK301800</b>	<b>183.52 x 5.33</b>
<b>100.0</b>	<b>115.1</b>	<b>6.3</b>	<b>RSK301000</b>	<b>107.32 x 5.33</b>	<b>180.0</b>	<b>200.5</b>	<b>8.1</b>	<b>RSK401800</b>	<b>189.87 x 7.00</b>
<b>100.0</b>	<b>120.5</b>	<b>8.1</b>	<b>RSK401000</b>	<b>108 x 7.00</b>	185.0	200.1	6.3	RSK301850	189.87 x 5.33
101.6	116.7	6.3	RSK301016	107.32 x 5.33	185.0	205.5	8.1	RSK401850	196.22 x 7.00
104.7	119.8	6.3	RSK301047	110.49 x 5.33	190.0	205.1	6.3	RSK301900	196.22 x 5.33
105.0	120.1	6.3	RSK301050	110.49 x 5.33	190.0	210.5	8.1	RSK401900	196.22 x 7.00
105.0	125.5	8.1	RSK401050	113.67 x 7.00	195.0	210.1	6.3	RSK301950	202.57 x 5.33
<b>110.0</b>	<b>120.7</b>	<b>4.2</b>	<b>RSK201100</b>	<b>113.89 x 3.53</b>	<b>200.0</b>	<b>215.1</b>	<b>6.3</b>	<b>RSK302000</b>	<b>208.92 x 5.33</b>
<b>110.0</b>	<b>125.1</b>	<b>6.3</b>	<b>RSK301100</b>	<b>116.84 x 5.33</b>	<b>200.0</b>	<b>220.5</b>	<b>8.1</b>	<b>RSK402000</b>	<b>208.90 x 7.00</b>
<b>110.0</b>	<b>130.5</b>	<b>8.1</b>	<b>RSK401100</b>	<b>116.84 x 7.00</b>	205.0	225.5	8.1	RSK402050	215.27 x 7.00
115.0	130.1	6.3	RSK301150	120.02 x 5.33	210.0	230.5	8.1	RSK402100	215.27 x 7.00
120.0	135.1	6.3	RSK301200	126.37 x 5.33	211.0	231.5	8.1	RSK402110	215.27 x 7.00
120.0	140.5	8.1	RSK401200	129.54 x 7.00	212.0	232.5	8.1	RSK402120	227.97 x 7.00



Rod Dia.	Groove Dia.	Groove Width	TSS Part No.	O-Ring Size	Rod Dia.	Groove Dia.	Groove Width	TSS Part No.	O-Ring Size
$d_N$ f8/h9	$D_1$ H9	$L_1$ +0.2			$d_N$ f8/h9	$D_1$ H9	$L_1$ +0.2		
215.0	235.5	8.1	<a href="#">RSK402150</a>	227.97 x 7.00	480.0	504.0	8.1	<a href="#">RSK804800</a>	494.16 x 7.00
<b>220.0</b>	<b>240.5</b>	<b>8.1</b>	<b><a href="#">RSK402200</a></b>	<b>227.97 x 7.00</b>	485.0	509.0	8.1	<a href="#">RSK804850</a>	494.16 x 7.00
225.0	245.5	8.1	<a href="#">RSK402250</a>	240.67 x 7.00	490.0	514.0	8.1	<a href="#">RSK804900</a>	506.86 x 7.00
230.0	245.1	6.3	<a href="#">RSK302300</a>	234.32 x 5.33	500.0	524.0	8.1	<a href="#">RSK805000</a>	506.86 x 7.00
230.0	250.5	8.1	<a href="#">RSK402300</a>	240.67 x 7.00	510.0	534.0	8.1	<a href="#">RSK805100</a>	532.26 x 7.00
235.0	255.5	8.1	<a href="#">RSK402350</a>	240.67 x 7.00	520.0	544.0	8.1	<a href="#">RSK805200</a>	532.26 x 7.00
240.0	260.5	8.1	<a href="#">RSK402400</a>	253.37 x 7.00	525.0	549.0	8.1	<a href="#">RSK805250</a>	532.26 x 7.00
245.0	265.5	8.1	<a href="#">RSK402450</a>	253.37 x 7.00	530.0	554.0	8.1	<a href="#">RSK805300</a>	557.66 x 7.00
<b>250.0</b>	<b>270.5</b>	<b>8.1</b>	<b><a href="#">RSK402500</a></b>	<b>266.07 x 7.00</b>	540.0	564.0	8.1	<a href="#">RSK805400</a>	557.66 x 7.00
260.0	284.0	8.1	<a href="#">RSK802600</a>	266.07 x 7.00	550.0	574.0	8.1	<a href="#">RSK805500</a>	557.66 x 7.00
265.0	289.0	8.1	<a href="#">RSK802650</a>	278.77 x 7.00	560.0	584.0	8.1	<a href="#">RSK805600</a>	582.68 x 7.00
270.0	290.5	8.1	<a href="#">RSK402700</a>	278.77 x 7.00	570.0	594.0	8.1	<a href="#">RSK805700</a>	582.68 x 7.00
270.0	294.0	8.1	<a href="#">RSK802700</a>	278.77 x 7.00	580.0	604.0	8.1	<a href="#">RSK805800</a>	608.08 x 7.00
275.0	299.0	8.1	<a href="#">RSK802750</a>	291.47 x 7.00	585.0	609.0	8.1	<a href="#">RSK805850</a>	608.08 x 7.00
<b>280.0</b>	<b>304.0</b>	<b>8.1</b>	<b><a href="#">RSK802800</a></b>	<b>291.47 x 7.00</b>	590.0	614.0	8.1	<a href="#">RSK805900</a>	608.08 x 7.00
285.0	309.0	8.1	<a href="#">RSK802850</a>	291.47 x 7.00	600.0	624.0	8.1	<a href="#">RSK806000</a>	608.08 x 7.00
290.0	314.0	8.1	<a href="#">RSK802900</a>	304.17 x 7.00	610.0	634.0	8.1	<a href="#">RSK806100</a>	633.48 x 7.00
295.0	319.0	8.1	<a href="#">RSK802950</a>	304.17 x 7.00	620.0	644.0	8.1	<a href="#">RSK806200</a>	633.48 x 7.00
300.0	320.5	8.1	<a href="#">RSK403000</a>	304.17 x 7.00	630.0	654.0	8.1	<a href="#">RSK806300</a>	658.88 x 7.00
300.0	324.0	8.1	<a href="#">RSK803000</a>	316.87 x 7.00	640.0	664.0	8.1	<a href="#">RSK806400</a>	658.88 x 7.00
310.0	334.0	8.1	<a href="#">RSK803100</a>	316.87 x 7.00	650.0	677.3	9.5	<a href="#">RSK506500</a>	663.00 x 8.40
<b>320.0</b>	<b>344.0</b>	<b>8.1</b>	<b><a href="#">RSK803200</a></b>	<b>329.57 x 7.00</b>	656.0	683.3	9.5	<a href="#">RSK506560</a>	669.00 x 8.40
330.0	354.0	8.1	<a href="#">RSK803300</a>	342.27 x 7.00	660.0	687.3	9.5	<a href="#">RSK506600</a>	673.00 x 8.40
340.0	364.0	8.1	<a href="#">RSK803400</a>	354.97 x 7.00	680.0	707.3	9.5	<a href="#">RSK506800</a>	693.00 x 8.40
350.0	370.5	8.1	<a href="#">RSK403500</a>	354.97 x 7.00	685.0	712.3	9.5	<a href="#">RSK506850</a>	698.00 x 8.40
350.0	374.0	8.1	<a href="#">RSK803500</a>	367.67 x 7.00	700.0	724.0	8.1	<a href="#">RSK807000</a>	712.00 x 7.00
<b>360.0</b>	<b>384.0</b>	<b>8.1</b>	<b><a href="#">RSK803600</a></b>	<b>367.67 x 7.00</b>	700.0	727.3	9.5	<a href="#">RSK507000</a>	713.00 x 8.40
365.0	389.0	8.1	<a href="#">RSK803650</a>	380.37 x 7.00	710.0	737.3	9.5	<a href="#">RSK507100</a>	723.00 x 8.40
370.0	394.0	8.1	<a href="#">RSK803700</a>	380.37 x 7.00	730.0	757.3	9.5	<a href="#">RSK507300</a>	743.00 x 8.40
375.0	399.0	8.1	<a href="#">RSK803750</a>	393.07 x 7.00	760.0	787.3	9.5	<a href="#">RSK507600</a>	773.00 x 8.40
380.0	404.0	8.1	<a href="#">RSK803800</a>	393.07 x 7.00	765.0	792.3	9.5	<a href="#">RSK507650</a>	778.00 x 8.40
390.0	414.0	8.1	<a href="#">RSK803900</a>	405.26 x 7.00	780.0	807.3	9.5	<a href="#">RSK507800</a>	793.00 x 8.40
400.0	424.0	8.1	<a href="#">RSK804000</a>	417.96 x 7.00	790.0	817.3	9.5	<a href="#">RSK507900</a>	803.00 x 8.40
410.0	434.0	8.1	<a href="#">RSK804100</a>	417.96 x 7.00	800.0	827.3	9.5	<a href="#">RSK508000</a>	813.00 x 8.40
420.0	444.0	8.1	<a href="#">RSK804200</a>	430.66 x 7.00	810.0	837.3	9.5	<a href="#">RSK508100</a>	823.00 x 8.40
430.0	454.0	8.1	<a href="#">RSK804300</a>	443.36 x 7.00	820.0	847.3	9.5	<a href="#">RSK508200</a>	833.00 x 8.40
435.0	459.0	8.1	<a href="#">RSK804350</a>	443.36 x 7.00	830.0	857.3	9.5	<a href="#">RSK508300</a>	843.00 x 8.40
440.0	464.0	8.1	<a href="#">RSK804400</a>	456.06 x 7.00	850.0	877.3	9.5	<a href="#">RSK508500</a>	863.00 x 8.40
450.0	474.0	8.1	<a href="#">RSK804500</a>	468.76 x 7.00	870.0	897.3	9.5	<a href="#">RSK508700</a>	883.00 x 8.40
460.0	484.0	8.1	<a href="#">RSK804600</a>	468.76 x 7.00	880.0	907.3	9.5	<a href="#">RSK508800</a>	893.00 x 8.40
470.0	494.0	8.1	<a href="#">RSK804700</a>	481.38 x 7.00	885.0	912.3	9.5	<a href="#">RSK508850</a>	898.00 x 8.40



Rod Dia.	Groove Dia.	Groove Width	TSS Part No.	O-Ring Size
<b>d<sub>N</sub></b> f8/h9	<b>D<sub>1</sub></b> H9	<b>L<sub>1</sub></b> +0.2		
890.0	917.3	9.5	<a href="#">RSK508900</a>	903.00 x 8.40
930.0	957.3	9.5	<a href="#">RSK509300</a>	943.00 x 8.40
955.0	982.3	9.5	<a href="#">RSK509550</a>	968.00 x 8.40
1,000.0	1,038.0	13.8	<a href="#">RSK6X1000</a>	1,016.00 x 12.00
1,035.0	1,073.0	13.8	<a href="#">RSK6X1035</a>	1,051.00 x 12.00
1,040.0	1,067.3	9.5	<a href="#">RSK5X1040</a>	1,052.00 x 8.40
1,040.0	1,078.0	13.8	<a href="#">RSK6X1040</a>	1,056.00 x 12.00
1,050.0	1,077.3	9.5	<a href="#">RSK5X1050</a>	1,062.00 x 8.40
1,050.0	1,088.0	13.8	<a href="#">RSK6X1050</a>	1,066.00 x 12.00
1,100.0	1,138.0	13.8	<a href="#">RSK6X1100</a>	1,116.00 x 12.00
1,120.0	1,147.3	9.5	<a href="#">RSK5X1120</a>	1,132.00 x 8.40
1,120.0	1,158.0	13.8	<a href="#">RSK6X1120</a>	1,136.00 x 12.00
1,200.0	1,227.3	9.5	<a href="#">RSK5X1200</a>	1,212.00 x 8.40
1,200.0	1,238.0	13.8	<a href="#">RSK6X1200</a>	1,216.00 x 12.00
1,330.0	1,368.0	13.8	<a href="#">RSK6X1330</a>	1,346.00 x 12.00
1,500.0	1,538.0	13.8	<a href="#">RSK6X1500</a>	1,516.00 x 12.00
1,600.0	1,638.0	13.8	<a href="#">RSK6X1600</a>	1,616.00 x 12.00
2,000.0	2,038.0	13.8	<a href="#">RSK6X2000</a>	2,016.00 x 12.00
2,600.0	2,638.0	13.8	<a href="#">RSK6X2600</a>	2,616.00 x 12.00

The rod diameters in **bold** type are in accordance with the recommendations of ISO 3320.

Other dimensions and all intermediate sizes up to 2,600 mm diameter including imperial (inch) sizes can be supplied.

All O-Rings with 12 mm cross section are delivered as special profile ring.

---

! This page is intentionally left blank.



# Turcon® Stepseal® V



---

Single-acting

---

Rubber-energized plastic-faced seal

**Material:**

Turcon®, Zurcon® and Elastomer

---



---

! This page is intentionally left blank.



## ■ Turcon® Stepseal® V\*



### ■ Description

Stepseal® V is based on the dynamic, unidirectional Turcon® Stepseal® sealing concept. During the extending stroke of the rod, the contact force on the sealing edge creates high local sealing pressure and limits the formation of fluid film under the seal. When the rod is retracted, the Stepseal® sealing face supports hydrodynamic back-pumping of the fluid film, and ensures leak-free sealing efficiency with low friction and long service life.

In long-stroke cylinders and equipment operating with low speed during retraction, it has been found that hydrodynamic back-pumping may become insufficient to prevent build-up of pressure in the seal system behind the primary seal. Pressure build-up in the seal system leads to leakage, increased friction and wear, and may ultimately require replacement of the seals. The usual precaution in such equipment has been to provide space for a buffer volume behind the primary seal or to install a drain line.

First invented by Trelleborg Sealing Solutions, the built-in check valve function eliminates pressure build-up and so render buffer volumes and drain lines obsolete.

Stepseal® V has the efficient seal performance and outstanding service life of the Turcon® Stepseal® range and the reliable prevention of pressure build-up brought by a refined check valve function. Stepseal® V is available in high-grade Turcon® or Zurcon® materials with outstanding sliding and wear resistance properties.

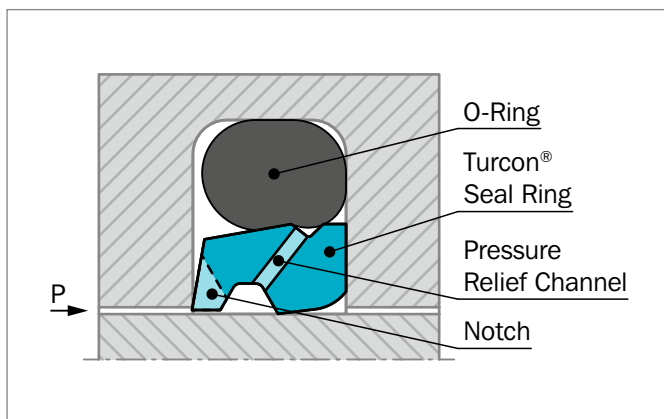


Figure 25: Turcon® Stepseal® V with tight axial groove fit

### ADVANTAGES

- Check valve function of O-Ring eliminates risk of fluid bypassing the seal during pressure loading when pressurized
- No pressure build-up on secondary sealing element and Excluder®
- Independent of any speed relation of counter surface
- Independent of stroke length
- High tolerance to hardware non-concentricity and radial play
- Minimum contribution of friction of secondary sealing element and/or Excluder®
- Minimum wear of secondary sealing element and/or Excluder®
- Increased leakage control
- Prolonged seal life
- Increased operational reliability
- Fits standard Stepseal® 2K groove dimensions as well as ISO 7425 seal housings

### APPLICATION EXAMPLES

- Mobile hydraulics
- Construction equipment
- Crane boom cylinders
- Presses
- Injection molding machines
- Clamp cylinders
- Wind power cylinders
- Long stroke cylinders
- Waterpower cylinders
- Storm barrier cylinders
- Tensioner cylinders
- Theater hydraulics
- Safety systems

\* Patent application: WO 2007/131468 A1



## CHARACTERISTICS

- Primary seal with hydrostatic ventilation
- Check valve function
- Hydrodynamic back-pumping
- Stabilized position in the groove
- Prolonged seal life
- Increased leakage control

## IMPROVED FRICTION PERFORMANCE

Turcon® Stepseal® V offers a uniform, low friction characteristic to the sealing system throughout its whole life by preventing undefined pressurization of the secondary seal element.

## FEATURES

Stepseal® V has been developed to meet continuously increasing demands on sealing systems. In dynamic applications, Stepseal® V brings efficient, reliable sealing performance under even the most demanding service conditions. The high seal efficiency and refined valve function of Stepseal® V eliminates seal system pressure build-up between tandem rod seal configuration and makes buffer volume between the seals a thing of the past.

In rod seal systems, Stepseal® V is preferably used together with a secondary seal from the range of Turcon® and Zurcon® rod seals, or with only a double-acting Turcon® Excluder® or Scraper.

Applied as a piston seal, Stepseal® V is used with a double-acting seal from the Turcon® range of piston seals. Under extreme performance requirements Stepseal® V offers improved leakage control, extended service life and increased reliability.

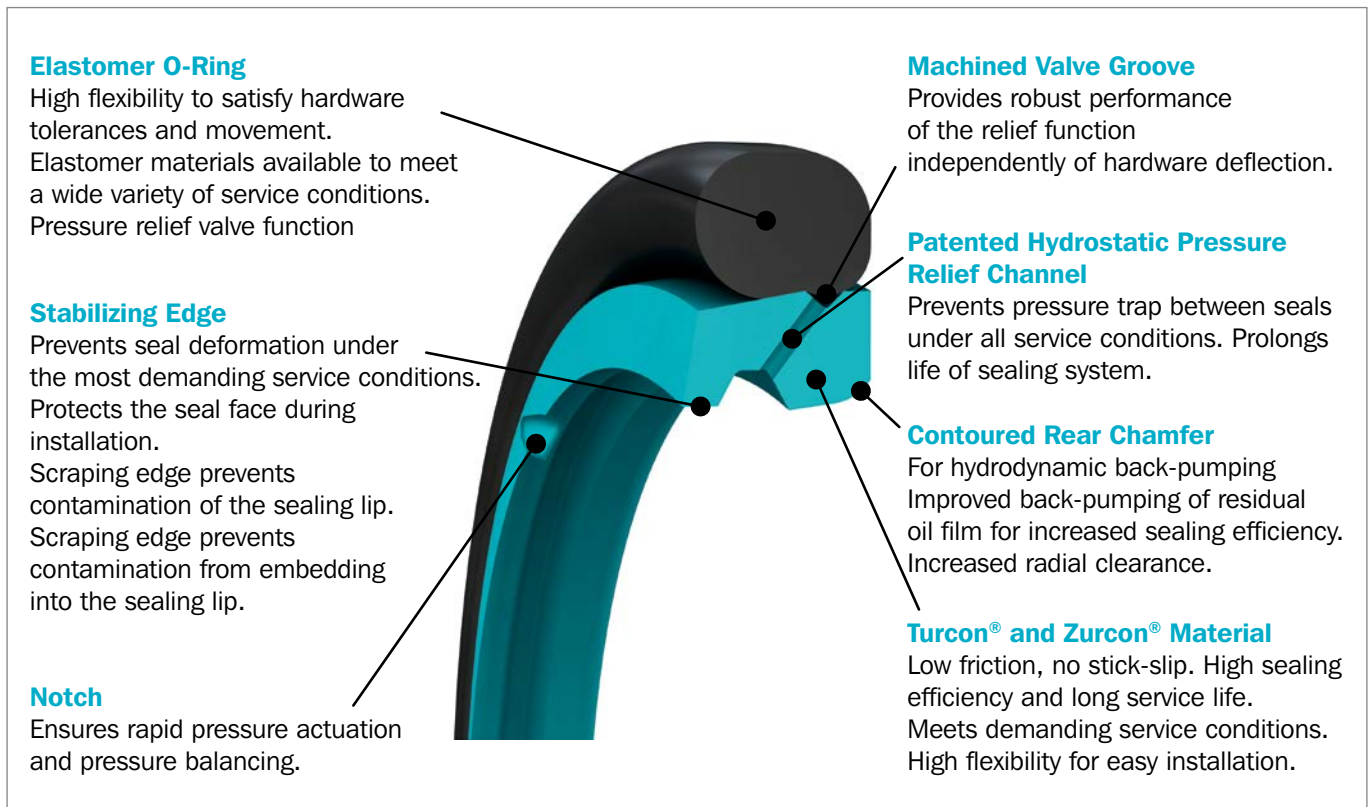


Figure 26: Turcon® Stepseal® V design features



## OPERATING CONDITIONS

<b>Pressure:</b>	Up to 50 MPa (Turcon® M12) Up to 60 MPa (Turcon® T08 and Zurcon® Z53)
<b>Speed:</b>	Up to 15 m/s with linear movements, frequency up to 15 Hz
<b>Temperature:</b>	-45 °C to +200 °C depending on seal and O-Ring material
<b>Media:</b>	Mineral oil based hydraulic fluids, flame retardant hydraulic fluids, environmentally friendly hydraulic fluids (bio-oils), phosphate ester, water and others, depending on the seal and O-Ring material - see Table 15.
<b>Clearance:</b>	The maximum permissible radial clearance $S_{max}$ is shown in Table 16, as a function of the operating pressure and functional diameter.

### IMPORTANT NOTE

The above data are maximum values and cannot be used at the same time, e.g. the maximum operating speed depends on material type, pressure, temperature and gap value. Temperature range also depends on media.

## SERIES

Different cross section sizes are recommended as a function of the seal diameters. Table 14 shows the relationship between the series number according to the seal diameter range and the different application class sizes:

Standard application:	General applications without exceptional operating conditions.
Light application:	Applications with demands for reduced friction or for smaller grooves.
Heavy-duty application:	For exceptional operating loads such as high pressures, pressure peaks, etc.

**Table 14: Available Range**

Series No.	Rod Diameter $d_N$ f8/h9
RSV20	12.0 - 455.0
RSV30	12.0 - 655.0
RSV40	38.0 - 655.0
RSV80	140.0 - 999.9
RSV50	160.0 - 999.9
RSV5X	1,000.0 - 1,200.0
RSV60	650.0 - 999.9
RSV6X	1,000.0 - 2,600.0

For the Standard Recommendations Application range see Table 14.

## REDUNDANT SEALING SYSTEM

In many applications, secondary seal systems are needed. Figure 27 shows such a tandem configuration with the Stepseal® V.

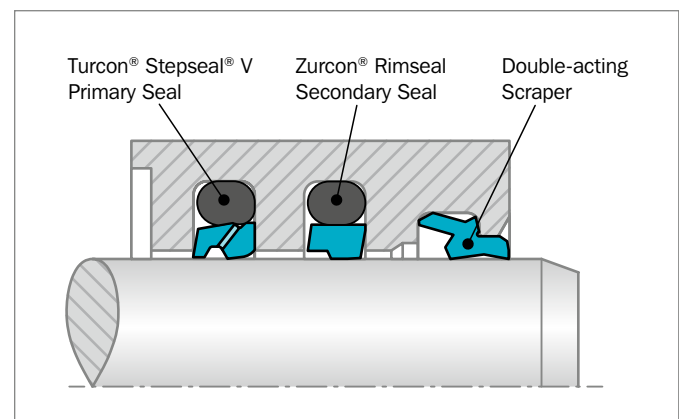


Figure 27: Turcon® Stepseal® V and Zurcon® Rimseal in tandem configuration

The integrated check valve function of Stepseal® V renders pressure trapping between the primary and secondary seal impossible and a dedicated buffer volume between them is unnecessary.

Depending on the application and the operating conditions, the combination of different materials offers a further improvement in the sealing efficiency and the service life of the system. For example in hydraulic cylinders subject to high loads and under rough operating conditions the primary seal should be made of Turcon® and the secondary seal of Zurcon®.





## INSTALLATION INSTRUCTIONS

Stepseal® V is installed according to information on page 39 to 40

Closed groove installation applies the same dimensions as for Turcon® Stepseal® 2K in Table 6 page 40.

## RECOMMENDED MATERIALS

The following material combinations have proven effective for hydraulic applications:

### **Turcon® Stepseal® V in Turcon® M12**

All-round material for light to heavy hydraulic applications with linear, short stroke or helical movements in mineral oils, flame retardant hydraulic fluids, phosphate ester, bio-oils or fluids with low lubricating properties:

O-Ring:	NBR 70 Shore A	N
	FKM 70 Shore A	V

Set code: M12N or M12V

### **Turcon® Stepseal® V in Turcon® T46**

For medium to heavy applications with linear movements in mineral oils and other media with good lubrication:

O-Ring:	NBR 70 Shore A	N
	FKM 70 Shore A	V

Set code: T46N or T46V

For specific applications, all Turcon® materials are available.

Other material combinations are listed in Table 15.

**Table 15: Turcon® and Zurcon® Materials for Stepseal® V**

Material, Applications, Properties	Code	O-Ring Material Shore A	Code	O-Ring Operating Temp. * °C	Mating Surface Material	MPa max. Dynamic
<b>Turcon® M12</b> First material choice for seals in linear motion Overall improved properties For new constructions and updating For all commonly applied hydraulic fluids including fluids with low lubrication performance Lowest friction and best sliding properties Lowest wear on seals Improved absorption of abrasive contaminants Low wear or abrasion of counter surface BAM tested Mineral fiber and Additives filled Color: Dark gray	M12	NBR 70	N	-30 to +100	Steel	50
		NBR 70 Low temp.	T	-45 to +80	Steel hardened Steel chrome plated (rod)	
		FKM 70	V	-10 to +200	Steel plated (rod) Cast iron Stainless steel Titanium	
<b>Turcon® T05</b> For lubricating fluids Also for gas service Very low friction Very good sliding and sealing properties Color: Turquoise	T05	NBR 70	N	-30 to +100	Steel	20
		NBR 70 Low temp.	T	-45 to +80	Steel hardened Steel chrome plated (rod)	
		FKM 70	V	-10 to +200		
<b>Turcon® T08</b> For lubricating fluids and linear motion Very high compressive strength and extrusion resistance Hard counter surfaces are recommended Bronze filled Color: Light to dark brown, which may have variations in shading	T08	NBR 70	N	-30 to +100	Steel hardened	60
		NBR 70 Low temp.	T	-45 to +80	Steel chrome plated (rod)	
		FKM 70	V	-10 to +200	Cast iron	
<b>Turcon® T10</b> For hydraulic and pneumatic For lubricating and non-lubricating fluids High extrusion resistance Good chemical resistance Not for electrically conducting fluids BAM tested Carbon, graphite filled Color: Black	T10	NBR 70	N	-30 to +100	Steel	40
		NBR 70 Low temp.	T	-45 to +80	Steel hardened Steel chrome plated (rod)	
		FKM 70	V	-10 to +200	Stainless steel	
		EPDM 70	E**	-45 to +145		
<b>Turcon® T29</b> For lubricating and non-lubricating fluids Good extrusion resistance Surface texture is not suitable for gas sealing Not for electrically conducting fluids Carbon fiber filled Color: Gray	T29	NBR 70	N	-30 to +100	Steel	30
		NBR 70 Low temp.	T	-45 to +80	Steel hardened Steel chrome plated (rod)	
		FKM 70	V	-10 to +200	Cast iron	
		EPDM 70	E**	-45 to +145	Stainless steel	

Table continues on next page



Material, Applications, Properties	Code	O-Ring Material Shore A	Code	O-Ring Operating Temp. * °C	Mating Surface Material	MPa max. Dynamic
<b>Turcon® T40</b> For lubricating and non-lubricating fluids High frequency and short strokes Water hydraulics Surface texture is not suitable for gas sealing Carbon fiber filled Color: Gray	T40	NBR 70	N	-30 to +100	Steel	25
		NBR 70 Low temp.	T	-45 to +80	Steel hardened Steel chrome plated (rod) Cast iron	
		FKM 70	V	-10 to +200	Stainless steel	
		EPDM 70	E**	-45 to +145	Aluminum	
<b>Turcon® T46</b> For lubricated hydraulics in linear motion High compressive strength High extrusion resistance Very good sliding and wear properties BAM tested Bronze filled Color: Light to dark brown, which may have variations in shading	T46	NBR 70	N	-30 to +100	Steel hardened	50
		NBR 70 Low temp.	T	-45 to +80	Steel chrome plated (rod) Cast iron	
		FKM 70	V	-10 to +200		
<b>Zurcon® Z53***</b> For mineral oil based fluids Very high abrasion and extrusion resistance For counter surface with rougher surface finish Limited chemical resistance Max. working temperature +110 °C Cast polyurethane Color: Yellow to light-brown	Z53	NBR 70	N	-30 to +100	Steel	60
		NBR 70 Low temp.	T	-45 to +80	Steel hardened Steel chrome plated (rod) Cast iron Stainless steel Ceramic coating	
<b>Zurcon® Z80</b> For lubricating and non-lubricating fluids Water based fluids, air and gases Dry air pneumatics High abrasion and extrusion resistance For service in abrasive conditions and media with particles Good chemical resistance Limited temperature capability (-60 to +80 °C) UHMWPE (Ultra High Molecular Weight Polyethylene) Color: White to off-white	Z80	NBR 70	N	-30 to (+100)	Steel	35
		NBR 70 Low temp.	T	-45 to +80	Steel hardened Steel chrome plated (rod) Stainless steel	
		EPDM 70	E**	-45 to (+145)	Aluminum Ceramic coating	

\* The O-Ring operation temperature is only valid in mineral hydraulic oil (except EPDM).

\*\* Material not suitable for mineral oils.

\*\*\* Max. diameter 2,200 mm.

BAM: Tested by "Bundesanstalt Materialprüfung, Germany".

   Highlighted materials are recommended.



## Installation Recommendation

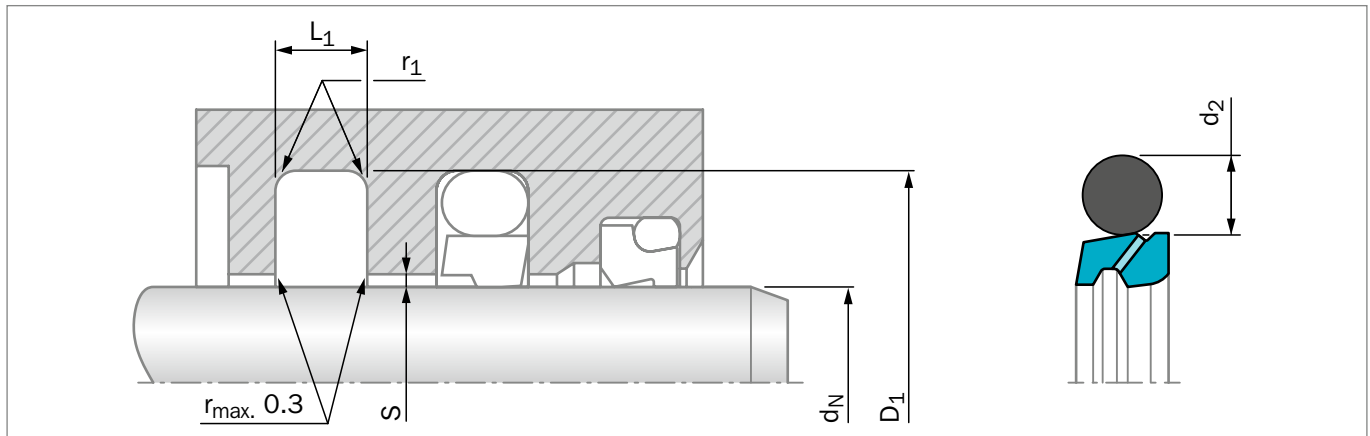


Figure 28: Installation Drawing

Table 16: Installation Dimensions – Standard Recommendations

Series No.	Rod Diameter $d_N$ f8/h9			Groove Diameter $D_1$ H9	Groove Width $L_1$ +0.2	Radius $r_1$ max	Radial Clearance $S_{max}$ *			O-Ring Cross Section $d_2$
	Standard Application	Light Application	Heavy Duty Application				10 MPa	20 MPa	40 MPa	
RSV2	12 - 37.9	38 - 199.9	-	$d_N + 10.7$	4.2	1.0	0.50	0.30	0.20	3.53
RSV3	38 - 199.9	200 - 255.9	19 - 37.9	$d_N + 15.1$	6.3	1.3	0.70	0.40	0.25	5.33
RSV4	200 - 255.9	256 - 649.9	38 - 199.9	$d_N + 20.5$	8.1	1.8	0.80	0.60	0.35	7.00
RSV8	256 - 649.9	650 - 999.9	200 - 255.9	$d_N + 24.0$	8.1	1.8	0.90	0.70	0.40	7.00
RSV5	650 - 999.9	-	256 - 649.9	$d_N + 27.3$	9.5	2.5	1.00	0.80	0.50	8.40
RSV5X	-	1,000 - 1,200	-	$d_N + 27.3$	9.5	2.5	1.00	0.80	0.50	8.40
RSV6**	-	-	650 - 999.9	$d_N + 38.0$	13.8	3.0	1.20	0.90	0.60	12.00
RSV6X**	1,000 - 2,600	-	-	$d_N + 38.0$	13.8	3.0	1.20	0.90	0.60	12.00

\* At pressures > 40 MPa use diameter tolerance H8/f8 (bore/rod) in the area behind seal or consult your local Customer Solution Center for alternative material or profiles.

Slydring® / Wear Rings are not applicable at very small radial clearances please consult the Slydring® section in this catalog.

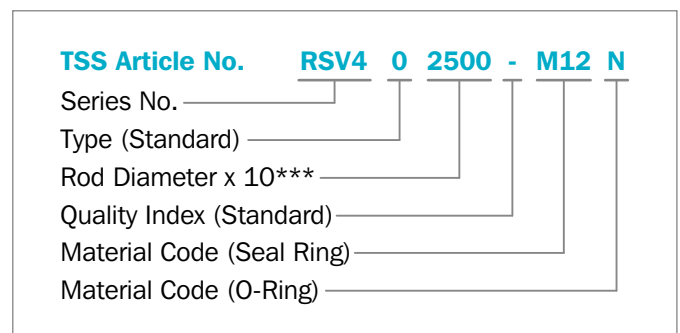
\*\* All O-Rings with 12 mm cross section are delivered as a special profile ring.

### ORDERING EXAMPLE

Turcon® Stepseal® V complete with O-Ring, standard application:

<b>Series:</b>	RSV4 from Table 16
<b>Rod diameter:</b>	$d_N = 250.0$ mm
<b>TSS Part No.:</b>	RSV402500 from Table 17

Select the material from Table 15. The corresponding code numbers are appended to the TSS Part No. Together these form the TSS Article Number. The TSS Article Number for all intermediate sizes can be determined by following the example:



\*\*\* For diameters  $d_N$  1,000.0 mm multiply only by factor 1.  
 Example: RSV6 for diameter  $d_N = 1,200.0$  mm.  
 TSS Article No.: RSV6**X1200** -M12N



**Table 17: Installation Dimensions / TSS Part No.**

Rod Dia.	Groove Dia.	Groove Width	TSS Part No.	O-Ring Size	Rod Dia.	Groove Dia.	Groove Width	TSS Part No.	O-Ring Size
$d_N$ f8/h9	$D_1$ H9	$L_1$ +0.2			$d_N$ f8/h9	$D_1$ H9	$L_1$ +0.2		
<b>12.0</b>	<b>22.7</b>	<b>4.2</b>	<b>RSV200120</b>	<b>17.04 x 3.53</b>	60.0	70.7	4.2	RSV200600	63.09 x 3.53
15.0	25.7	4.2	RSV200150	18.66 x 3.53	60.0	75.1	6.3	RSV300600	66.04 x 5.33
19.0	29.7	4.2	RSV200190	23.40 x 3.53	<b>63.0</b>	<b>73.7</b>	<b>4.2</b>	<b>RSV200630</b>	<b>66.27 x 3.53</b>
<b>20.0</b>	<b>30.7</b>	<b>4.2</b>	<b>RSV200200</b>	<b>25.00 x 3.53</b>	<b>63.0</b>	<b>78.1</b>	<b>6.3</b>	<b>RSV300630</b>	<b>69.22 x 5.33</b>
<b>22.0</b>	<b>32.7</b>	<b>4.2</b>	<b>RSV200220</b>	<b>26.58 x 3.53</b>	63.5	78.6	6.3	RSV300635	69.22 x 5.33
<b>25.0</b>	<b>35.7</b>	<b>4.2</b>	<b>RSV200250</b>	<b>29.75 x 3.53</b>	65.0	75.7	4.2	RSV200650	69.44 x 3.53
25.4	36.1	4.2	RSV200254	29.75 x 3.53	65.0	80.1	6.3	RSV300650	69.22 x 5.33
26.0	36.7	4.2	RSV200260	29.75 x 3.53	67.0	77.7	4.2	RSV200670	72.62 x 3.53
<b>28.0</b>	<b>38.7</b>	<b>4.2</b>	<b>RSV200280</b>	<b>32.92 x 3.53</b>	69.0	84.1	6.3	RSV300690	75.57 x 5.33
30.0	40.7	4.2	RSV200300	34.52 x 3.53	<b>70.0</b>	<b>80.7</b>	<b>4.2</b>	<b>RSV200700</b>	<b>75.79 x 3.53</b>
<b>32.0</b>	<b>42.7</b>	<b>4.2</b>	<b>RSV200320</b>	<b>36.09 x 3.53</b>	<b>70.0</b>	<b>85.1</b>	<b>6.3</b>	<b>RSV300700</b>	<b>75.57 x 5.33</b>
35.0	45.7	4.2	RSV200350	37.69 x 3.53	<b>70.0</b>	<b>90.5</b>	<b>8.1</b>	<b>RSV400700</b>	<b>78.00 x 7.00</b>
<b>36.0</b>	<b>46.7</b>	<b>4.2</b>	<b>RSV200360</b>	<b>40.87 x 3.53</b>	72.0	82.7	4.2	RSV200720	75.79 x 3.53
37.0	47.7	4.2	RSV200370	40.87 x 3.53	73.0	88.1	6.3	RSV300730	78.74 x 5.33
38.0	48.7	4.2	RSV200380	40.87 x 3.53	75.0	85.7	4.2	RSV200750	78.97 x 3.53
38.0	53.1	6.3	RSV300380	43.82 x 5.33	75.0	90.1	6.3	RSV300750	81.92 x 5.33
<b>40.0</b>	<b>50.7</b>	<b>4.2</b>	<b>RSV200400</b>	<b>44.04 x 3.53</b>	75.0	95.5	8.1	RSV400750	83.00 x 7.00
<b>40.0</b>	<b>55.1</b>	<b>6.3</b>	<b>RSV300400</b>	<b>43.82 x 5.33</b>	76.2	91.3	6.3	RSV300762	81.92 x 5.33
42.0	52.7	4.2	RSV200420	47.22 x 3.53	78.0	93.1	6.3	RSV300780	85.09 x 5.33
42.0	57.1	6.3	RSV300420	46.99 x 5.33	78.0	98.5	8.1	RSV400780	86.00 x 7.00
43.0	53.7	4.2	RSV200430	47.22 x 3.53	<b>80.0</b>	<b>90.7</b>	<b>4.2</b>	<b>RSV200800</b>	<b>85.32 x 3.53</b>
44.45	59.5	6.3	RSV300444	50.17 x 5.33	<b>80.0</b>	<b>95.1</b>	<b>6.3</b>	<b>RSV300800</b>	<b>85.09 x 5.33</b>
<b>45.0</b>	<b>55.7</b>	<b>4.2</b>	<b>RSV200450</b>	<b>50.39 x 3.53</b>	<b>80.0</b>	<b>100.5</b>	<b>8.1</b>	<b>RSV400800</b>	<b>88.00 x 7.00</b>
<b>45.0</b>	<b>60.1</b>	<b>6.3</b>	<b>RSV300450</b>	<b>50.17 x 5.33</b>	82.5	97.6	6.3	RSV300825	88.27 x 5.33
48.0	58.7	4.2	RSV200480	53.57 x 3.53	83.0	93.7	4.2	RSV200830	88.49 x 3.53
48.0	63.1	6.3	RSV300480	53.34 x 5.33	85.0	95.7	4.2	RSV200850	88.49 x 3.53
<b>50.0</b>	<b>60.7</b>	<b>4.2</b>	<b>RSV200500</b>	<b>53.57 x 3.53</b>	85.0	100.1	6.3	RSV300850	91.44 x 5.33
<b>50.0</b>	<b>65.1</b>	<b>6.3</b>	<b>RSV300500</b>	<b>56.52 x 5.33</b>	85.0	105.5	8.1	RSV400850	93.00 x 7.00
50.8	61.5	4.2	RSV200508	53.57 x 3.53	89.0	104.1	6.3	RSV300890	94.62 x 5.33
50.8	65.9	6.3	RSV300508	56.52 x 5.33	<b>90.0</b>	<b>100.7</b>	<b>4.2</b>	<b>RSV200900</b>	<b>94.84 x 3.53</b>
52.0	62.7	4.2	RSV200520	56.74 x 3.53	<b>90.0</b>	<b>105.1</b>	<b>6.3</b>	<b>RSV300900</b>	<b>94.62 x 5.33</b>
52.0	67.1	6.3	RSV300520	56.52 x 5.33	<b>90.0</b>	<b>110.5</b>	<b>8.1</b>	<b>RSV400900</b>	<b>98.00 x 7.00</b>
54.0	69.1	6.3	RSV300540	59.69 x 5.33	92.0	102.7	4.2	RSV200920	98.02 x 3.53
55.0	65.7	4.2	RSV200550	59.92 x 3.53	92.0	107.1	6.3	RSV300920	97.79 x 5.33
55.0	70.1	6.3	RSV300550	59.69 x 5.33	95.0	105.7	4.2	RSV200950	101.19 x 3.53
<b>56.0</b>	<b>66.7</b>	<b>4.2</b>	<b>RSV200560</b>	<b>59.92 x 3.53</b>	95.0	110.1	6.3	RSV300950	100.97 x 5.33
<b>56.0</b>	<b>71.1</b>	<b>6.3</b>	<b>RSV300560</b>	<b>62.87 x 5.33</b>	95.0	115.5	8.1	RSV400950	103.00 x 7.00
57.1	67.8	4.2	RSV200571	59.92 x 3.53	<b>100.0</b>	<b>110.7</b>	<b>4.2</b>	<b>RSV201000</b>	<b>104.37 x 3.53</b>
59.0	69.7	4.2	RSV200590	63.09 x 3.53	<b>100.0</b>	<b>115.1</b>	<b>6.3</b>	<b>RSV301000</b>	<b>107.32 x 5.33</b>



Rod Dia.	Groove Dia.	Groove Width	TSS Part No.	O-Ring Size	Rod Dia.	Groove Dia.	Groove Width	TSS Part No.	O-Ring Size
$d_N$ f8/h9	$D_1$ H9	$L_1$ +0.2			$d_N$ f8/h9	$D_1$ H9	$L_1$ +0.2		
<b>100.0</b>	<b>120.5</b>	<b>8.1</b>	<b>RSV401000</b>	<b>108.00 x 7.00</b>	<b>180.0</b>	<b>200.5</b>	<b>8.1</b>	<b>RSV401800</b>	<b>189.87 x 7.00</b>
101.6	116.7	6.3	RSV301016	107.32 x 5.33	185.0	200.1	6.3	RSV301850	189.87 x 5.33
105.0	120.1	6.3	RSV301050	110.49 x 5.33	185.0	205.5	8.1	RSV401850	196.22 x 7.00
105.0	125.5	8.1	RSV401050	113.67 x 7.00	190.0	205.1	6.3	RSV301900	196.22 x 5.33
110.0	120.7	4.2	RSV201100	113.89 x 3.53	190.0	210.5	8.1	RSV401900	196.22 x 7.00
<b>110.0</b>	<b>125.1</b>	<b>6.3</b>	<b>RSV301100</b>	<b>116.84 x 5.33</b>	195.0	210.1	6.3	RSV301950	202.57 x 5.33
<b>110.0</b>	<b>130.5</b>	<b>8.1</b>	<b>RSV401100</b>	<b>116.84 x 7.00</b>	<b>200.0</b>	<b>215.1</b>	<b>6.3</b>	<b>RSV302000</b>	<b>208.92 x 5.33</b>
115.0	130.1	6.3	RSV301150	120.02 x 5.33	<b>200.0</b>	<b>220.5</b>	<b>8.1</b>	<b>RSV402000</b>	<b>208.90 x 7.00</b>
120.0	135.1	6.3	RSV301200	126.37 x 5.33	205.0	225.5	8.1	RSV402050	215.27 x 7.00
120.0	140.5	8.1	RSV401200	129.54 x 7.00	210.0	230.5	8.1	RSV402100	215.27 x 7.00
<b>125.0</b>	<b>140.1</b>	<b>6.3</b>	<b>RSV301250</b>	<b>129.54 x 5.33</b>	211.0	231.5	8.1	RSV402110	215.27 x 7.00
<b>125.0</b>	<b>145.5</b>	<b>8.1</b>	<b>RSV401250</b>	<b>132.72 x 7.00</b>	212.0	232.5	8.1	RSV402120	227.97 x 7.00
125.4	140.5	6.3	RSV301254	132.72 x 5.33	215.0	235.5	8.1	RSV402150	227.97 x 7.00
127.0	142.1	6.3	RSV301270	132.72 x 5.33	<b>220.0</b>	<b>240.5</b>	<b>8.1</b>	<b>RSV402200</b>	<b>227.97 x 7.00</b>
130.0	145.1	6.3	RSV301300	135.89 x 5.33	<b>225.0</b>	<b>245.5</b>	<b>8.1</b>	<b>RSV402250</b>	<b>240.67 x 7.00</b>
130.0	150.5	8.1	RSV401300	139.07 x 7.00	230.0	245.1	6.3	RSV302300	234.32 x 5.33
132.0	147.1	6.3	RSV301320	139.07 x 5.33	230.0	250.5	8.1	RSV402300	240.67 x 7.00
135.0	145.7	4.2	RSV201350	139.29 x 3.53	235.0	255.5	8.1	RSV402350	240.67 x 7.00
135.0	150.1	6.3	RSV301350	142.24 x 5.33	240.0	260.5	8.1	RSV402400	253.37 x 7.00
137.0	152.1	6.3	RSV301370	142.24 x 5.33	245.0	265.5	8.1	RSV402450	253.37 x 7.00
138.0	153.1	6.3	RSV301380	142.24 x 5.33	<b>250.0</b>	<b>270.5</b>	<b>8.1</b>	<b>RSV402500</b>	<b>266.07 x 7.00</b>
<b>140.0</b>	<b>150.7</b>	<b>4.2</b>	<b>RSV201400</b>	<b>145.64 x 3.53</b>	260.0	284.0	8.1	RSV802600	266.07 x 7.00
<b>140.0</b>	<b>155.1</b>	<b>6.3</b>	<b>RSV301400</b>	<b>145.42 x 5.33</b>	265.0	289.0	8.1	RSV802650	278.77 x 7.00
<b>140.0</b>	<b>160.5</b>	<b>8.1</b>	<b>RSV401400</b>	<b>148.59 x 7.00</b>	270.0	290.5	8.1	RSV402700	278.77 x 7.00
140.5	155.6	6.3	RSV301405	145.42 x 5.33	270.0	294.0	8.1	RSV802700	278.77 x 7.00
145.0	160.1	6.3	RSV301450	151.77 x 5.33	275.0	299.0	8.1	RSV802750	291.47 x 7.00
145.0	165.5	8.1	RSV401450	151.77 x 7.00	<b>280.0</b>	<b>304.0</b>	<b>8.1</b>	<b>RSV802800</b>	<b>291.47 x 7.00</b>
150.0	165.1	6.3	RSV301500	158.12 x 5.33	285.0	309.0	8.1	RSV802850	291.47 x 7.00
150.0	170.5	8.1	RSV401500	158.12 x 7.00	290.0	314.0	8.1	RSV802900	304.17 x 7.00
153.0	168.1	6.3	RSV301530	158.12 x 5.33	295.0	319.0	8.1	RSV802950	304.17 x 7.00
155.0	170.1	6.3	RSV301550	158.12 x 5.33	300.0	320.5	8.1	RSV403000	304.17 x 7.00
<b>160.0</b>	<b>175.1</b>	<b>6.3</b>	<b>RSV301600</b>	<b>164.47 x 5.33</b>	300.0	324.0	8.1	RSV803000	316.87 x 7.00
<b>160.0</b>	<b>180.5</b>	<b>8.1</b>	<b>RSV401600</b>	<b>170.82 x 7.00</b>	310.0	334.0	8.1	RSV803100	316.87 x 7.00
165.0	180.1	6.3	RSV301650	170.82 x 5.33	<b>320.0</b>	<b>344.0</b>	<b>8.1</b>	<b>RSV803200</b>	<b>329.57 x 7.00</b>
170.0	185.1	6.3	RSV301700	177.17 x 5.33	330.0	354.0	8.1	RSV803300	342.27 x 7.00
170.0	190.5	8.1	RSV401700	177.17 x 7.00	340.0	364.0	8.1	RSV803400	354.97 x 7.00
173.0	188.1	6.3	RSV301730	177.17 x 5.33	350.0	370.5	8.1	RSV403500	354.97 x 7.00
175.0	190.1	6.3	RSV301750	183.52 x 5.33	350.0	374.0	8.1	RSV803500	367.67 x 7.00
<b>180.0</b>	<b>195.1</b>	<b>6.3</b>	<b>RSV301800</b>	<b>183.52 x 5.33</b>	<b>360.0</b>	<b>384.0</b>	<b>8.1</b>	<b>RSV803600</b>	<b>367.67 x 7.00</b>





Rod Dia.	Groove Dia.	Groove Width	TSS Part No.	O-Ring Size
$d_N$ f8/h9	$D_1$ H9	$L_1$ +0.2		
365.0	389.0	8.1	<a href="#">RSV803650</a>	380.37 x 7.00
370.0	394.0	8.1	<a href="#">RSV803700</a>	380.37 x 7.00
375.0	399.0	8.1	<a href="#">RSV803750</a>	393.07 x 7.00
380.0	404.0	8.1	<a href="#">RSV803800</a>	393.07 x 7.00
390.0	414.0	8.1	<a href="#">RSV803900</a>	405.26 x 7.00
400.0	424.0	8.1	<a href="#">RSV804000</a>	417.96 x 7.00
410.0	434.0	8.1	<a href="#">RSV804100</a>	417.96 x 7.00
420.0	444.0	8.1	<a href="#">RSV804200</a>	430.66 x 7.00
430.0	454.0	8.1	<a href="#">RSV804300</a>	443.36 x 7.00
435.0	459.0	8.1	<a href="#">RSV804350</a>	443.36 x 7.00
440.0	464.0	8.1	<a href="#">RSV804400</a>	456.06 x 7.00
450.0	474.0	8.1	<a href="#">RSV804500</a>	468.76 x 7.00
460.0	484.0	8.1	<a href="#">RSV804600</a>	468.76 x 7.00
470.0	494.0	8.1	<a href="#">RSV804700</a>	481.38 x 7.00
480.0	504.0	8.1	<a href="#">RSV804800</a>	494.16 x 7.00
485.0	509.0	8.1	<a href="#">RSV804850</a>	494.16 x 7.00
490.0	514.0	8.1	<a href="#">RSV804900</a>	506.86 x 7.00
500.0	524.0	8.1	<a href="#">RSV805000</a>	506.86 x 7.00
510.0	534.0	8.1	<a href="#">RSV805100</a>	532.26 x 7.00
520.0	544.0	8.1	<a href="#">RSV805200</a>	532.26 x 7.00
525.0	549.0	8.1	<a href="#">RSV805250</a>	532.26 x 7.00
530.0	554.0	8.1	<a href="#">RSV805300</a>	557.66 x 7.00
540.0	564.0	8.1	<a href="#">RSV805400</a>	557.66 x 7.00
550.0	574.0	8.1	<a href="#">RSV805500</a>	557.66 x 7.00
560.0	584.0	8.1	<a href="#">RSV805600</a>	582.68 x 7.00
570.0	594.0	8.1	<a href="#">RSV805700</a>	582.68 x 7.00
580.0	604.0	8.1	<a href="#">RSV805800</a>	608.08 x 7.00
585.0	609.0	8.1	<a href="#">RSV805850</a>	608.08 x 7.00
590.0	614.0	8.1	<a href="#">RSV805900</a>	608.08 x 7.00
600.0	624.0	8.1	<a href="#">RSV806000</a>	608.08 x 7.00
610.0	634.0	8.1	<a href="#">RSV806100</a>	633.48 x 7.00
620.0	644.0	8.1	<a href="#">RSV806200</a>	633.48 x 7.00
630.0	654.0	8.1	<a href="#">RSV806300</a>	658.88 x 7.00
640.0	664.0	8.1	<a href="#">RSV806400</a>	658.88 x 7.00
650.0	677.3	9.5	<a href="#">RSV506500</a>	663.00 x 8.40
656.0	683.3	9.5	<a href="#">RSV506560</a>	669.00 x 8.40
660.0	687.3	9.5	<a href="#">RSV506600</a>	673.00 x 8.40
680.0	707.3	9.5	<a href="#">RSV506800</a>	693.00 x 8.40
685.0	712.3	9.5	<a href="#">RSV506850</a>	698.00 x 8.40
700.0	724.0	8.1	<a href="#">RSV807000</a>	713.00 x 7.00
700.0	727.3	9.5	<a href="#">RSV507000</a>	713.00 x 8.40

Rod Dia.	Groove Dia.	Groove Width	TSS Part No.	O-Ring Size
$d_N$ f8/h9	$D_1$ H9	$L_1$ +0.2		
710.0	737.3	9.5	<a href="#">RSV507100</a>	723.00 x 8.40
730.0	757.3	9.5	<a href="#">RSV507300</a>	743.00 x 8.40
760.0	787.3	9.5	<a href="#">RSV507600</a>	773.00 x 8.40
765.0	792.3	9.5	<a href="#">RSV507650</a>	778.00 x 8.40
780.0	807.3	9.5	<a href="#">RSV507800</a>	793.00 x 8.40
790.0	817.3	9.5	<a href="#">RSV507900</a>	803.00 x 8.40
800.0	827.3	9.5	<a href="#">RSV508000</a>	813.00 x 8.40
810.0	837.3	9.5	<a href="#">RSV508100</a>	823.00 x 8.40
820.0	847.3	9.5	<a href="#">RSV508200</a>	833.00 x 8.40
830.0	857.3	9.5	<a href="#">RSV508300</a>	843.00 x 8.40
850.0	877.3	9.5	<a href="#">RSV508500</a>	863.00 x 8.40
870.0	897.3	9.5	<a href="#">RSV508700</a>	883.00 x 8.40
880.0	907.3	9.5	<a href="#">RSV508800</a>	893.00 x 8.40
885.0	912.3	9.5	<a href="#">RSV508850</a>	898.00 x 8.40
890.0	917.3	9.5	<a href="#">RSV508900</a>	903.00 x 8.40
930.0	957.3	9.5	<a href="#">RSV509300</a>	943.00 x 8.40
955.0	982.3	9.5	<a href="#">RSV509550</a>	968.00 x 8.40
1,000.0	1,038.0	13.8	<a href="#">RSV6X1000</a>	1,017.00 x 12.0
1,035.0	1,073.0	13.8	<a href="#">RSV6X1035</a>	1,052.00 x 12.0
1,040.0	1,067.3	9.5	<a href="#">RSV5X1040</a>	1,053.00 x 8.40
1,040.0	1,078.0	13.8	<a href="#">RSV6X1040</a>	1,057.00 x 12.0
1,050.0	1,077.3	9.5	<a href="#">RSV5X1050</a>	1,063.00 x 8.40
1,050.0	1,088.0	13.8	<a href="#">RSV6X1050</a>	1,067.00 x 12.0
1,100.0	1,138.0	13.8	<a href="#">RSV6X1100</a>	1,117.00 x 12.0
1,120.0	1,147.3	9.5	<a href="#">RSV5X1120</a>	1,133.00 x 8.40
1,120.0	1,158.0	13.8	<a href="#">RSV6X1120</a>	1,137.00 x 12.0
1,200.0	1,227.3	9.5	<a href="#">RSV5X1200</a>	1,213.00 x 8.40
1,200.0	1,238.0	13.8	<a href="#">RSV6X1200</a>	1,217.00 x 12.0
1,330.0	1,368.0	13.8	<a href="#">RSV6X1330</a>	1,347.00 x 12.0
1,500.0	1,538.0	13.8	<a href="#">RSV6X1500</a>	1,517.00 x 12.0
1,600.0	1,638.0	13.8	<a href="#">RSV6X1600</a>	1,617.00 x 12.0
2,000.0	2,038.0	13.8	<a href="#">RSV6X2000</a>	2,017.00 x 12.0
2,600.0	2,638.0	13.8	<a href="#">RSV6X2600</a>	2,617.00 x 12.0

The rod diameters in **bold** type are in accordance with the recommendations of ISO 3320.

Other dimensions and all intermediate sizes up to 2,600 mm diameter including imperial (inch) sizes can be supplied.

All O-Rings with 12 mm cross section are delivered as special profile ring.

# Turcon® Stepseal® V LM



---

Single-acting

---

Designed for Lubrication Management  
Technology

---

Rubber-energized plastic-faced seal

---

**Material:**

Turcon®, Zurcon® and Elastomer

---



---

! This page is intentionally left blank.



## ■ Turcon® Stepseal® V LM\*



### ■ Description

Turcon® Stepseal® V LM is a new type of primary seal, conceived and developed to improve system performance and service life of the whole system, including hardware and other seals.

Stepseal® V LM is the first unidirectional seal element to integrate the Lubrication Management principles developed by Trelleborg Sealing Solutions as a standard feature.

Traditionally unidirectional seals provide sealing by means of sharp, defined sealing edges, which establish high contact pressure with the hardware and suppress fluid film during the forward stroke.

With Lubrication Management, a modified seal edge reduces contact pressure with the hardware and supports the formation of a lubricating fluid film during the forward stroke. This allows fluid to reach secondary seals and scrapers in a controlled way, while back-pumping of fluid ensures lubrication during the return stroke. The efficient, built-in check valve action introduced with Stepseal® V protects secondary seals and scrapers against system pressure, and it ensures that pressure build-up between the seals is eliminated.

Lower contact pressure and improved lubrication reduce the mechanical and thermal load on seals and hardware, resulting in increased service life and system reliability.

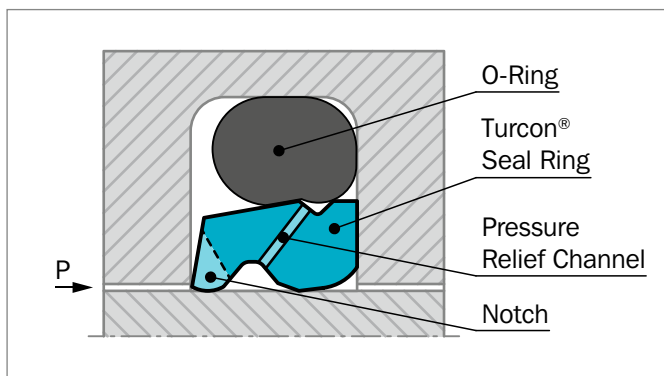


Figure 29: Turcon® Stepseal® V LM

### ADVANTAGES

- Built-in check valve performance identical to that of Stepseal® V
- No pressure build-up on secondary sealing element and Scraper
- Independent of in- and outstroke velocity
- Independent of stroke length
- High tolerance to hardware non-concentricity and radial play
- Minimum contribution to friction by secondary sealing element and Scraper
- Minimum wear of secondary sealing element and Scraper
- Robust, optimized seal face
- Increased leakage control
- Extended seal life
- Increased operational reliability
- Fits standard Stepseal® 2K groove dimensions as well as ISO 7425 seal housings

### APPLICATION EXAMPLES

- Wind turbine pitch control
- Production presses
- Injection molding clamping cylinders
- Mobile cranes and lifts
- Vehicle suspensions

\* Patent application: WO 2007/095915 A1



## CHARACTERISTICS

- Primary seal with hydrostatic pressure release
- Check valve function
- Hydrodynamic back-pumping
- Stabilized position in the groove
- Extended seal life
- Improved system reliability

## IMPROVED FRICTION PERFORMANCE

Turcon® Stepseal® V LM offers uniform, low friction of the complete sealing system through improved lubrication of all sealing elements and by preventing pressurization of the secondary seal element.

## FEATURES

Stepseal® V LM combines efficiency with reliability and longevity for the full sealing system and of the hardware. Controlled support of lubrication and lowered contact pressure reduce friction and wear, while the refined valve function eliminates pressure build-up in seal systems, making drain lines and buffer volumes between seals a thing of the past.

In rod seal systems, Stepseal® V LM is used together with a secondary rod seal, preferably from the range of Turcon® and Zurcon® Rod Seals.

## OPERATING CONDITIONS

<b>Pressure:</b>	Up to 50 MPa (Turcon® M12) Up to 60 MPa (Turcon® T08 and Zurcon® Z53)
<b>Speed:</b>	Up to 15 m/s with linear movements, frequency up to 15 Hz
<b>Temperature:</b>	-45 °C to +200 °C depending on seal and O-Ring material
<b>Media:</b>	Mineral oil based hydraulic fluids, flame retardant hydraulic fluids, environmentally friendly fluids (bio-oils), phosphate ester, water and others, depending on the seal and O-Ring material - see Table 19.
<b>Clearance:</b>	The maximum permissible radial clearance $S_{max}$ is shown in Table 20, as a function of the operating pressure and functional diameter.

### IMPORTANT NOTE

The above data are maximum values and cannot be used at the same time, e.g. the maximum operating speed depends on material type, pressure, temperature and gap value. Temperature range also depends on media.

## SERIES

Different cross section sizes are recommended as a function of the seal diameters. Table 18 shows the relationship between the series number according to the seal diameter range and the different application class sizes:

Standard application:	General applications without exceptional operating conditions.
Light application:	Applications with demands for reduced friction or for smaller grooves.
Heavy-duty application:	For exceptional operating loads such as high pressures, pressure peaks, large clearances, etc.

**Table 18: Available Range**

Series No.	Rod Diameter $d_N$ f8/h9
RSL20	12.0 - 455.0
RSL30	12.0 - 655.0
RSL40	38.0 - 655.0
RSL80	140.0 - 999.9
RSL50	160.0 - 999.9
RSL5X	1,000.0 - 1,200.0
RSL60	650.0 - 999.9
RSL6X	1,000.0 - 2,600.0

## SEALING SYSTEM

Stepseal® V LM is developed for use with a secondary sealing element. Figure 30 shows such a tandem configuration with the Stepseal® V LM.

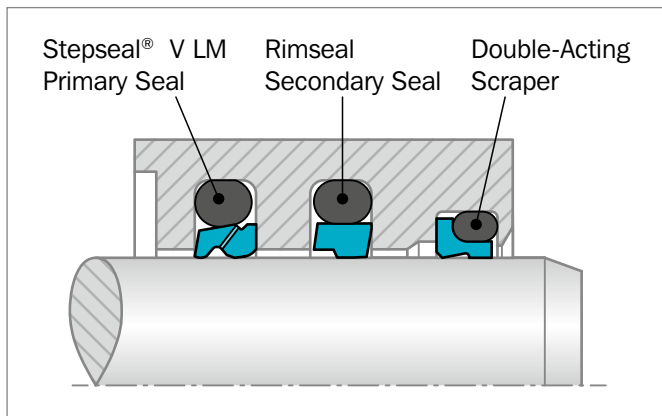


Figure 30: Turcon® Stepseal® V LM and Zurcon® Rimseal in tandem configuration

The integrated check valve function of Stepseal® V LM ensures that pressure cannot be trapped between the primary and secondary seals, and no extra space between them is required to accumulate hydraulic fluid.

Depending on the application and the operating conditions, the combination of different materials offers a further improvement in sealing efficiency and service life of the system.

For example, in hydraulic cylinders subject to high loads and under rough operating conditions, the primary seal should be made of Turcon® and the secondary seal of Zurcon®.

## INSTALLATION INSTRUCTIONS

Stepseal® V LM is installed according to information on page 39 to 40

Closed groove installation applies the same dimensions as for Turcon® Stepseal® 2K in Table 6 page 40.

## RECOMMENDED MATERIALS

The following material combinations have proven effective for hydraulic applications:

### Turcon® Stepseal® V LM in Turcon® M12

All-round material for light to heavy hydraulic applications with linear, short stroke or helical movements in mineral oils, flame retardant hydraulic fluids, phosphate ester, bio-oils or fluids with low lubricating properties:

O-Ring:	NBR 70 Shore A	N
	FKM 70 Shore A	V

Set code: M12N or M12V

### Turcon® Stepseal® V LM in Turcon® T46

For medium to heavy applications with linear movements in mineral oils and other media with good lubrication:

O-Ring:	NBR 70 Shore A	N
	FKM 70 Shore A	V

Set code: T46N or T46V

For specific applications, all Turcon® materials are available.

Other material combinations are listed in Table 19.





**Table 19: Turcon® and Zurcon® Materials for Stepseal® V LM**

Material, Applications, Properties	Code	O-Ring Material Shore A	Code	O-Ring Operating Temp. * °C	Mating Surface Material	MPa max. Dynamic
<b>Turcon® M12</b> First material choice for seals in linear motion Overall improved properties For new constructions and updating For all commonly applied hydraulic fluids including fluids with low lubrication performance Lowest friction and best sliding properties Lowest wear on seals Improved absorption of abrasive contaminants Low wear or abrasion of counter surface BAM tested Mineral fiber and Additives filled Color: Dark gray	M12	NBR 70	N	-30 to +100	Steel	50
		NBR 70 Low temp.	T	-45 to +80	Steel hardened Steel chrome plated (rod)	
		FKM 70	V	-10 to +200	Steel plated (rod) Cast iron Stainless steel Titanium	
<b>Turcon® T05</b> For lubricating fluids Also for gas service Very low friction Very good sliding and sealing properties Color: Turquoise	T05	NBR 70	N	-30 to +100	Steel	20
		NBR 70 Low temp.	T	-45 to +80	Steel hardened Steel chrome plated (rod)	
		FKM 70	V	-10 to +200		
<b>Turcon® T08</b> For lubricating fluids and linear motion Very high compressive strength and extrusion resistance Hard counter surfaces are recommended Bronze filled Color: Light to dark brown, which may have variations in shading	T08	NBR 70	N	-30 to +100	Steel hardened	60
		NBR 70 Low temp.	T	-45 to +80	Steel chrome plated (rod)	
		FKM 70	V	-10 to +200	Cast iron	
<b>Turcon® T10</b> For hydraulic and pneumatic For lubricating and non-lubricating fluids High extrusion resistance Good chemical resistance Not for electrically conducting fluids BAM tested Carbon, graphite filled Color: Black	T10	NBR 70	N	-30 to +100	Steel	40
		NBR 70 Low temp.	T	-45 to +80	Steel hardened Steel chrome plated (rod)	
		FKM 70	V	-10 to +200	Stainless steel	
		EPDM 70	E**	-45 to +145		
<b>Turcon® T29</b> For lubricating and non-lubricating fluids Good extrusion resistance Surface texture is not suitable for gas sealing Not for electrically conducting fluids Carbon fiber filled Color: Gray	T29	NBR 70	N	-30 to +100	Steel	30
		NBR 70 Low temp.	T	-45 to +80	Steel hardened Steel chrome plated (rod)	
		FKM 70	V	-10 to +200	Cast iron	
		EPDM 70	E**	-45 to +145	Stainless steel	



Material, Applications, Properties	Code	O-Ring Material Shore A	Code	O-Ring Operating Temp.* °C	Mating Surface Material	MPa max. Dynamic
<b>Turcon® T40</b> For lubricating and non-lubricating fluids High frequency and short strokes Water hydraulics Surface texture is not suitable for gas sealing Carbon fiber filled Color: Gray	T40	NBR 70	N	-30 to +100	Steel	25
		NBR 70 Low temp.	T	-45 to +80	Steel hardened Steel chrome plated (rod)	
		FKM 70	V	-10 to +200	Cast iron	
		EPDM 70	E**	-45 to +145	Stainless steel Aluminum	
<b>Turcon® T46</b> For lubricated hydraulics in linear motion High compressive strength High extrusion resistance Very good sliding and wear properties BAM tested Bronze filled Color: Light to dark brown, which may have variations in shading	T46	NBR 70	N	-30 to +100	Steel hardened	50
		NBR 70 Low temp.	T	-45 to +80	Steel chrome plated (rod) Cast iron	
		FKM 70	V	-10 to +200		
<b>Zurcon® Z53***</b> For mineral oil based fluids Very high abrasion and extrusion resistance For counter surface with rougher surface finish Limited chemical resistance Max. working temperature +110 °C Cast polyurethane Color: Yellow to light-brown	Z53	NBR 70	N	-30 to +100	Steel	60
		NBR 70 Low temp.	T	-45 to +80	Steel hardened Steel chrome plated (rod) Cast iron Stainless steel Ceramic coating	
<b>Zurcon® Z80</b> For lubricating and non-lubricating fluids Water based fluids, air and gases Dry air pneumatics High abrasion and extrusion resistance For service in abrasive conditions and media with particles Good chemical resistance Limited temperature capability (-60 to +80 °C) UHMWPE (Ultra High Molecular Weight Polyethylene) Color: White to off-white	Z80	NBR 70	N	-30 to (+100)	Steel	35
		NBR 70 Low temp.	T	-45 to +80	Steel hardened Steel chrome plated (rod)	
		EPDM 70	E**	-45 to (+145)	Stainless steel Aluminum Ceramic coating	

\* The O-Ring operation temperature is only valid in mineral hydraulic oil (except EPDM).

\*\* Material not suitable for mineral oils.

\*\*\* Max. diameter 2,200 mm.

BAM: Tested by "Bundesanstalt Materialprufung, Germany".

Highlighted materials are recommended.



## Installation Recommendation

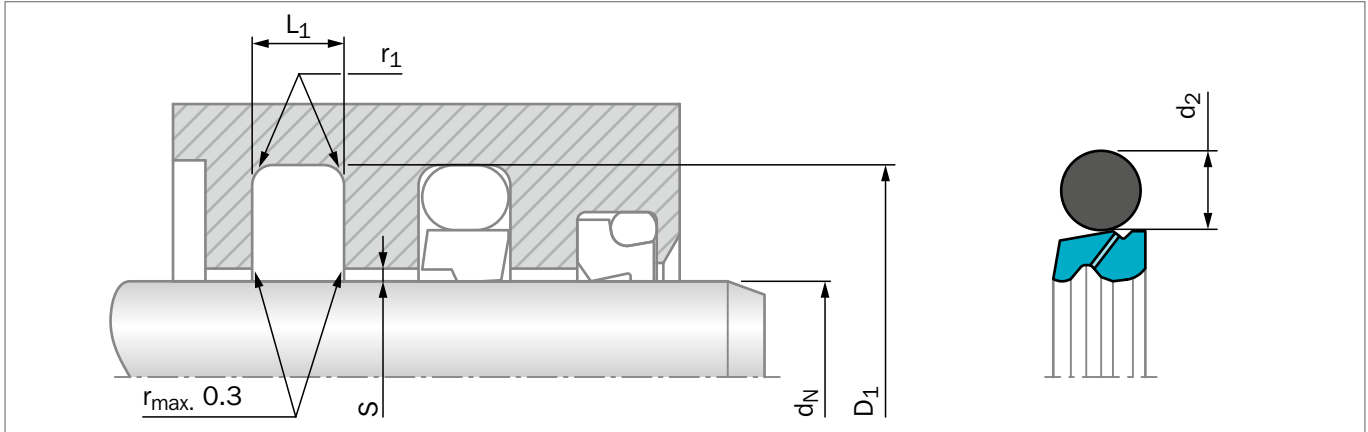


Figure 31: Installation Drawing

Table 20: Installation Dimensions – Standard Recommendations

Series No.	Rod Diameter $d_N$ f8/h9			Groove Diameter $D_1$ H9	Groove Width $L_1$ +0.2	Radius $r_1$ max	Radial Clearance $S_{max}^*$			O-Ring Cross Section $d_2$
	Standard Application	Light Application	Heavy Duty Application				10 MPa	20 MPa	40 MPa	
RSL20	19 - 37.9	38 - 199.9	12 - 18.9	$d_N + 10.7$	4.2	1.0	0.50	0.30	0.20	3.53
RSL30	38 - 199.9	200 - 255.9	19 - 37.9	$d_N + 15.1$	6.3	1.3	0.70	0.40	0.25	5.33
RSL40	200 - 255.9	256 - 649.9	38 - 199.9	$d_N + 20.5$	8.1	1.8	0.80	0.60	0.35	7.00
RSL80	256 - 649.9	650 - 999.9	200 - 255.9	$d_N + 24.0$	8.1	1.8	0.90	0.70	0.40	7.00
RSL50	650 - 999.9	-	256 - 649.9	$d_N + 27.3$	9.5	2.5	1.00	0.80	0.50	8.40
RSL5X	-	1,000 - 1,200	-	$d_N + 27.3$	9.5	2.5	1.00	0.80	0.50	8.40
RSL60**	-	-	650 - 999.9	$d_N + 38.0$	13.8	3.0	1.20	0.90	0.60	12.00
RSL6X**	1,000 - 2,600	-	-	$d_N + 38.0$	13.8	3.0	1.20	0.90	0.60	12.00

\* At pressures > 40 MPa use diameter tolerance H8/f8 (bore/rod) in the area behind seal or consult your local Customer Solution Center for alternative material or profiles.

Slydring® / Wear Rings are not applicable at very small radial clearances S, consult the Slydring® section in this catalog.

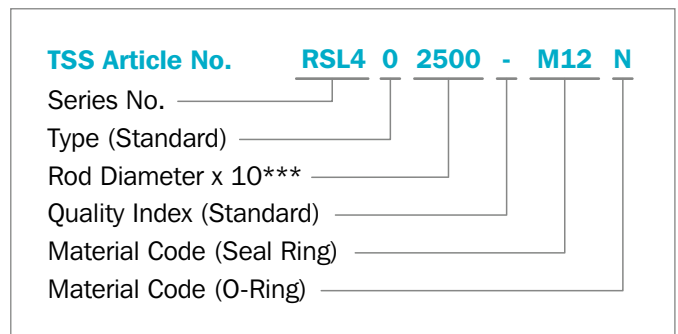
\*\* All O-Rings with 12 mm cross section are delivered as a special profile ring.

### ORDERING EXAMPLE

Turcon® Stepseal® V LM complete with O-Ring, standard application:

<b>Series:</b>	RSL4 from Table 20
<b>Rod diameter:</b>	$d_N = 250.0$ mm
<b>TSS Part No.:</b>	RSL402500 from Table 21

Select the material from Table 19. The corresponding code numbers are appended to the TSS Part No. Together these form the TSS Article Number. The TSS Article Number for all intermediate sizes can be determined by following the example:



\*\*\* For diameters  $d_N$  1,000.0 mm multiply only by factor 1.  
 Example: RSL6 for diameter  $d_N = 1,200.0$  mm.  
 TSS Article No.: RSL6X1200 -M12



Table 21: Installation Dimensions / TSS Part No.

Rod Dia.	Groove Dia.	Groove Width	TSS Part No.	O-Ring Size	Rod Dia.	Groove Dia.	Groove Width	TSS Part No.	O-Ring Size
$d_N$ f8/h9	$D_1$ H9	$L_1$ +0.2			$d_N$ f8/h9	$D_1$ H9	$L_1$ +0.2		
<b>12.0</b>	<b>22.7</b>	<b>4.2</b>	<b>RSL200120</b>	<b>17.04 x 3.53</b>	60.0	75.1	6.3	RSL300600	66.04 x 5.33
15.0	25.7	4.2	RSL200150	18.66 x 3.53	<b>63.0</b>	<b>73.7</b>	<b>4.2</b>	<b>RSL200630</b>	<b>66.27 x 3.53</b>
19.0	29.7	4.2	RSL200190	23.40 x 3.53	<b>63.0</b>	<b>78.1</b>	<b>6.3</b>	<b>RSL300630</b>	<b>69.22 x 5.33</b>
<b>20.0</b>	<b>30.7</b>	<b>4.2</b>	<b>RSL200200</b>	<b>25.00 x 3.53</b>	63.5	78.6	6.3	RSL300635	69.22 x 5.33
<b>22.0</b>	<b>32.7</b>	<b>4.2</b>	<b>RSL200220</b>	<b>26.58 x 3.53</b>	65.0	75.7	4.2	RSL200650	69.44 x 3.53
<b>25.0</b>	<b>35.7</b>	<b>4.2</b>	<b>RSL200250</b>	<b>29.75 x 3.53</b>	65.0	80.1	6.3	RSL300650	69.22 x 5.33
25.4	36.1	4.2	RSL200254	29.75 x 3.53	67.0	77.7	4.2	RSL200670	72.62 x 3.53
26.0	36.7	4.2	RSL200260	29.75 x 3.53	69.0	84.1	6.3	RSL300690	75.57 x 5.33
<b>28.0</b>	<b>38.7</b>	<b>4.2</b>	<b>RSL200280</b>	<b>32.92 x 3.53</b>	70.0	80.7	4.2	RSL200700	75.79 x 3.53
30.0	40.7	4.2	RSL200300	34.52 x 3.53	<b>70.0</b>	<b>85.1</b>	<b>6.3</b>	<b>RSL300700</b>	<b>75.57 x 5.33</b>
<b>32.0</b>	<b>42.7</b>	<b>4.2</b>	<b>RSL200320</b>	<b>36.09 x 3.53</b>	70.0	90.5	8.1	RSL400700	78 x 7.00
35.0	45.7	4.2	RSL200350	37.69 x 3.53	72.0	82.7	4.2	RSL200720	75.79 x 3.53
<b>36.0</b>	<b>46.7</b>	<b>4.2</b>	<b>RSL200360</b>	<b>40.87 x 3.53</b>	73.0	88.1	6.3	RSL300730	78.74 x 5.33
37.0	47.7	4.2	RSL200370	40.87 x 3.53	75.0	85.7	4.2	RSL200750	78.97 x 3.53
38.0	48.7	4.2	RSL200380	40.87 x 3.53	75.0	90.1	6.3	RSL300750	81.92 x 5.33
38.0	53.1	6.3	RSL300380	43.82 x 5.33	75.0	95.5	8.1	RSL400750	83 x 7.00
<b>40.0</b>	<b>50.7</b>	<b>4.2</b>	<b>RSL200400</b>	<b>44.04 x 3.53</b>	76.2	91.3	6.3	RSL300762	81.92 x 5.33
<b>40.0</b>	<b>55.1</b>	<b>6.3</b>	<b>RSL300400</b>	<b>43.82 x 5.33</b>	78.0	93.1	6.3	RSL300780	85.09 x 5.33
42.0	52.7	4.2	RSL200420	47.22 x 3.53	78.0	98.5	8.1	RSL400780	86 x 7.00
42.0	57.1	6.3	RSL300420	46.99 x 5.33	80.0	90.7	4.2	RSL200800	85.32 x 3.53
43.0	53.7	4.2	RSL200430	47.22 x 3.53	<b>80.0</b>	<b>95.1</b>	<b>6.3</b>	<b>RSL300800</b>	<b>85.09 x 5.33</b>
44.45	59.5	6.3	RSL300444	50.17 x 5.33	80.0	100.5	8.1	RSL400800	88 x 7.00
<b>45.0</b>	<b>55.7</b>	<b>4.2</b>	<b>RSL200450</b>	<b>50.39 x 3.53</b>	82.5	97.6	6.3	RSL300825	88.27 x 5.33
<b>45.0</b>	<b>60.1</b>	<b>6.3</b>	<b>RSL300450</b>	<b>50.17 x 5.33</b>	83.0	93.7	4.2	RSL200830	88.49 x 3.53
48.0	58.7	4.2	RSL200480	53.57 x 3.53	85.0	95.7	4.2	RSL200850	88.49 x 3.53
48.0	63.1	6.3	RSL300480	53.34 x 5.33	85.0	100.1	6.3	RSL300850	91.44 x 5.33
<b>50.0</b>	<b>60.7</b>	<b>4.2</b>	<b>RSL200500</b>	<b>53.57 x 3.53</b>	85.0	105.5	8.1	RSL400850	93 x 7.00
<b>50.0</b>	<b>65.1</b>	<b>6.3</b>	<b>RSL300500</b>	<b>56.52 x 5.33</b>	89.0	104.1	6.3	RSL300890	94.62 x 5.33
50.8	61.5	4.2	RSL200508	53.57 x 3.53	90.0	100.7	4.2	RSL200900	94.84 x 3.53
50.8	65.9	6.3	RSL300508	56.52 x 5.33	<b>90.0</b>	<b>105.1</b>	<b>6.3</b>	<b>RSL300900</b>	<b>94.62 x 5.33</b>
52.0	62.7	4.2	RSL200520	56.74 x 3.53	90.0	110.5	8.1	RSL400900	98 x 7.00
52.0	67.1	6.3	RSL300520	56.52 x 5.33	92.0	102.7	4.2	RSL200920	98.02 x 3.53
54.0	69.1	6.3	RSL300540	59.69 x 5.33	92.0	107.1	6.3	RSL300920	97.79 x 5.33
55.0	65.7	4.2	RSL200550	59.92 x 3.53	95.0	105.7	4.2	RSL200950	101.19 x 3.53
55.0	70.1	6.3	RSL300550	59.69 x 5.33	95.0	110.1	6.3	RSL300950	100.97 x 5.33
<b>56.0</b>	<b>66.7</b>	<b>4.2</b>	<b>RSL200560</b>	<b>59.92 x 3.53</b>	95.0	115.5	8.1	RSL400950	103 x 7.00
<b>56.0</b>	<b>71.1</b>	<b>6.3</b>	<b>RSL300560</b>	<b>62.87 x 5.33</b>	100.0	110.7	4.2	RSL201000	104.37 x 3.53
57.1	67.8	4.2	RSL200571	59.92 x 3.53	<b>100.0</b>	<b>115.1</b>	<b>6.3</b>	<b>RSL301000</b>	<b>107.32 x 5.33</b>
59.0	69.7	4.2	RSL200590	63.09 x 3.53	100.0	120.5	8.1	RSL401000	108 x 7.00
60.0	70.7	4.2	RSL200600	63.09 x 3.53	101.6	116.7	6.3	RSL301016	107.32 x 5.33



Rod Dia.	Groove Dia.	Groove Width	TSS Part No.	O-Ring Size	Rod Dia.	Groove Dia.	Groove Width	TSS Part No.	O-Ring Size
$d_N$ f8/h9	$D_1$ H9	$L_1$ +0.2			$d_N$ f8/h9	$D_1$ H9	$L_1$ +0.2		
105.0	120.1	6.3	RSL301050	110.49 x 5.33	195.0	210.1	6.3	RSL301950	202.57 x 5.33
105.0	125.5	8.1	RSL401050	113.67 x 7.00	200.0	215.1	6.3	RSL302000	208.92 x 5.33
110.0	120.7	4.2	RSL201100	113.89 x 3.53	<b>200.0</b>	<b>220.5</b>	<b>8.1</b>	<b>RSL402000</b>	<b>208.90 x 7.00</b>
<b>110.0</b>	<b>125.1</b>	<b>6.3</b>	<b>RSL301100</b>	<b>116.84 x 5.33</b>	205.0	225.5	8.1	RSL402050	215.27 x 7.00
110.0	130.5	8.1	RSL401100	116.84 x 7.00	210.0	230.5	8.1	RSL402100	215.27 x 7.00
115.0	130.1	6.3	RSL301150	120.02 x 5.33	211.0	231.5	8.1	RSL402110	215.27 x 7.00
120.0	135.1	6.3	RSL301200	126.37 x 5.33	212.0	232.5	8.1	RSL402120	227.97 x 7.00
120.0	140.5	8.1	RSL401200	129.54 x 7.00	215.0	235.5	8.1	RSL402150	227.97 x 7.00
<b>125.0</b>	<b>140.1</b>	<b>6.3</b>	<b>RSL301250</b>	<b>129.54 x 5.33</b>	220.0	240.5	8.1	RSL402200	227.97 x 7.00
125.0	145.5	8.1	RSL401250	132.72 x 7.00	<b>225.0</b>	<b>245.5</b>	<b>8.1</b>	<b>RSL402250</b>	<b>240.67 x 7.00</b>
125.4	140.5	6.3	RSL301254	132.72 x 5.33	230.0	245.1	6.3	RSL302300	234.32 x 5.33
127.0	142.1	6.3	RSL301270	132.72 x 5.33	230.0	250.5	8.1	RSL402300	240.67 x 7.00
130.0	145.1	6.3	RSL301300	135.89 x 5.33	235.0	255.5	8.1	RSL402350	240.67 x 7.00
130.0	150.5	8.1	RSL401300	139.07 x 7.00	240.0	260.5	8.1	RSL402400	253.37 x 7.00
132.0	147.1	6.3	RSL301320	139.07 x 5.33	245.0	265.5	8.1	RSL402450	253.37 x 7.00
135.0	145.7	4.2	RSL201350	139.29 x 3.53	<b>250.0</b>	<b>270.5</b>	<b>8.1</b>	<b>RSL402500</b>	<b>266.07 x 7.00</b>
135.0	150.1	6.3	RSL301350	142.24 x 5.33	260.0	284.0	8.1	RSL802600	266.07 x 7.00
137.0	152.1	6.3	RSL301370	142.24 x 5.33	265.0	289.0	8.1	RSL802650	278.77 x 7.00
138.0	153.1	6.3	RSL301380	142.24 x 5.33	270.0	290.5	8.1	RSL402700	278.77 x 7.00
140.0	150.7	4.2	RSL201400	145.64 x 3.53	270.0	294.0	8.1	RSL802700	278.77 x 7.00
<b>140.0</b>	<b>155.1</b>	<b>6.3</b>	<b>RSL301400</b>	<b>145.42 x 5.33</b>	275.0	299.0	8.1	RSL802750	291.47 x 7.00
140.0	160.5	8.1	RSL401400	148.59 x 7.00	<b>280.0</b>	<b>304.0</b>	<b>8.1</b>	<b>RSL802800</b>	<b>291.47 x 7.00</b>
140.5	155.6	6.3	RSL301405	145.42 x 5.33	285.0	309.0	8.1	RSL802850	291.47 x 7.00
145.0	160.1	6.3	RSL301450	151.77 x 5.33	290.0	314.0	8.1	RSL802900	304.17 x 7.00
145.0	165.5	8.1	RSL401450	151.77 x 7.00	295.0	319.0	8.1	RSL802950	304.17 x 7.00
150.0	165.1	6.3	RSL301500	158.12 x 5.33	300.0	320.5	8.1	RSL403000	304.17 x 7.00
150.0	170.5	8.1	RSL401500	158.12 x 7.00	300.0	324.0	8.1	RSL803000	316.87 x 7.00
153.0	168.1	6.3	RSL301530	158.12 x 5.33	310.0	334.0	8.1	RSL803100	316.87 x 7.00
155.0	170.1	6.3	RSL301550	158.12 x 5.33	<b>320.0</b>	<b>344.0</b>	<b>8.1</b>	<b>RSL803200</b>	<b>329.57 x 7.00</b>
<b>160.0</b>	<b>175.1</b>	<b>6.3</b>	<b>RSL301600</b>	<b>164.47 x 5.33</b>	330.0	354.0	8.1	RSL803300	342.27 x 7.00
<b>160.0</b>	<b>180.5</b>	<b>8.1</b>	<b>RSL401600</b>	<b>170.82 x 7.00</b>	340.0	364.0	8.1	RSL803400	354.97 x 7.00
165.0	180.1	6.3	RSL301650	170.82 x 5.33	350.0	370.5	8.1	RSL403500	354.97 x 7.00
170.0	185.1	6.3	RSL301700	177.17 x 5.33	350.0	374.0	8.1	RSL803500	367.67 x 7.00
170.0	190.5	8.1	RSL401700	177.17 x 7.00	<b>360.0</b>	<b>384.0</b>	<b>8.1</b>	<b>RSL803600</b>	<b>367.67 x 7.00</b>
173.0	188.1	6.3	RSL301730	177.17 x 5.33	365.0	389.0	8.1	RSL803650	380.37 x 7.00
175.0	190.1	6.3	RSL301750	183.52 x 5.33	370.0	394.0	8.1	RSL803700	380.37 x 7.00
<b>180.0</b>	<b>195.1</b>	<b>6.3</b>	<b>RSL301800</b>	<b>183.52 x 5.33</b>	375.0	399.0	8.1	RSL803750	393.07 x 7.00
<b>180.0</b>	<b>200.5</b>	<b>8.1</b>	<b>RSL401800</b>	<b>189.87 x 7.00</b>	380.0	404.0	8.1	RSL803800	393.07 x 7.00
185.0	200.1	6.3	RSL301850	189.87 x 5.33	390.0	414.0	8.1	RSL803900	405.26 x 7.00
185.0	205.5	8.1	RSL401850	196.22 x 7.00	400.0	424.0	8.1	RSL804000	417.96 x 7.00
190.0	205.1	6.3	RSL301900	196.22 x 5.33	410.0	434.0	8.1	RSL804100	417.96 x 7.00
190.0	210.5	8.1	RSL401900	196.22 x 7.00	420.0	444.0	8.1	RSL804200	430.66 x 7.00



Rod Dia.	Groove Dia.	Groove Width	TSS Part No.	O-Ring Size	Rod Dia.	Groove Dia.	Groove Width	TSS Part No.	O-Ring Size
$d_N$ f8/h9	$D_1$ H9	$L_1$ +0.2			$d_N$ f8/h9	$D_1$ H9	$L_1$ +0.2		
430.0	454.0	8.1	RSL804300	443.36 x 7.00	830.0	857.3	9.5	RSL508300	843 x 8.40
435.0	459.0	8.1	RSL804350	443.36 x 7.00	850.0	877.3	9.5	RSL508500	863 x 8.40
440.0	464.0	8.1	RSL804400	456.06 x 7.00	870.0	897.3	9.5	RSL508700	883 x 8.40
450.0	474.0	8.1	RSL804500	468.76 x 7.00	880.0	907.3	9.5	RSL508800	893 x 8.40
460.0	484.0	8.1	RSL804600	468.76 x 7.00	885.0	912.3	9.5	RSL508850	898 x 8.40
470.0	494.0	8.1	RSL804700	481.38 x 7.00	890.0	917.3	9.5	RSL508900	903 x 8.40
480.0	504.0	8.1	RSL804800	494.16 x 7.00	930.0	957.3	9.5	RSL509300	943 x 8.40
485.0	509.0	8.1	RSL804850	494.16 x 7.00	955.0	982.3	9.5	RSL509550	968 x 8.40
490.0	514.0	8.1	RSL804900	506.86 x 7.00	1,000.0	1,038.0	13.8	RSL6X1000	1,017 x 12.0
500.0	524.0	8.1	RSL805000	506.86 x 7.00	1,035.0	1,073.0	13.8	RSL6X1035	1,052 x 12.0
510.0	534.0	8.1	RSL805100	532.26 x 7.00	1,040.0	1,067.3	9.5	RSL5X1040	1,053 x 8.40
520.0	544.0	8.1	RSL805200	532.26 x 7.00	1,040.0	1,078.0	13.8	RSL6X1040	1,057 x 12.0
525.0	549.0	8.1	RSL805250	532.26 x 7.00	1,050.0	1,077.3	9.5	RSL5X1050	1,063 x 8.40
530.0	554.0	8.1	RSL805300	557.66 x 7.00	1,050.0	1,088.0	13.8	RSL6X1050	1,067 x 12.0
540.0	564.0	8.1	RSL805400	557.66 x 7.00	1,100.0	1,138.0	13.8	RSL6X1100	1,117 x 12.0
550.0	574.0	8.1	RSL805500	557.66 x 7.00	1,120.0	1,147.3	9.5	RSL5X1120	1,133 x 8.40
560.0	584.0	8.1	RSL805600	582.68 x 7.00	1,120.0	1,158.0	13.8	RSL6X1120	1,137 x 12.0
570.0	594.0	8.1	RSL805700	582.68 x 7.00	1,200.0	1,227.3	9.5	RSL5X1200	1,213 x 8.40
580.0	604.0	8.1	RSL805800	608.08 x 7.00	1,200.0	1,238.0	13.8	RSL6X1200	1,217 x 12.0
585.0	609.0	8.1	RSL805850	608.08 x 7.00	1,330.0	1,368.0	13.8	RSL6X1330	1,347 x 12.0
590.0	614.0	8.1	RSL805900	608.08 x 7.00	1,500.0	1,538.0	13.8	RSL6X1500	1,517 x 12.0
600.0	624.0	8.1	RSL806000	608.08 x 7.00	1,600.0	1,638.0	13.8	RSL6X1600	1,617 x 12.0
610.0	634.0	8.1	RSL806100	633.48 x 7.00	2,000.0	2,038.0	13.8	RSL6X2000	2,017 x 12.0
620.0	644.0	8.1	RSL806200	633.48 x 7.00	2,600.0	2,638.0	13.8	RSL6X2600	2,617 x 12.0
630.0	654.0	8.1	RSL806300	658.88 x 7.00					
640.0	664.0	8.1	RSL806400	658.88 x 7.00					
650.0	677.3	9.5	RSL506500	663 x 8.40					
656.0	683.3	9.5	RSL506560	669 x 8.40					
660.0	687.3	9.5	RSL506600	673 x 8.40					
680.0	707.3	9.5	RSL506800	693 x 8.40					
685.0	712.3	9.5	RSL506850	698 x 8.40					
700.0	724.0	8.1	RSL807000	713 x 7.00					
700.0	727.3	9.5	RSL507000	713 x 8.40					
710.0	737.3	9.5	RSL507100	723 x 8.40					
730.0	757.3	9.5	RSL507300	743 x 8.40					
760.0	787.3	9.5	RSL507600	773 x 8.40					
765.0	792.3	9.5	RSL507650	778 x 8.40					
780.0	807.3	9.5	RSL507800	793 x 8.40					
790.0	817.3	9.5	RSL507900	803 x 8.40					
800.0	827.3	9.5	RSL508000	813 x 8.40					
810.0	837.3	9.5	RSL508100	823 x 8.40					
820.0	847.3	9.5	RSL508200	833 x 8.40					

The rod diameters in **bold** type are in accordance with the recommendations of ISO 3320.

Other dimensions and all intermediate sizes up to 2,600 mm diameter including imperial (inch) sizes can be supplied.

All O-Rings with 12 mm cross section are delivered as special profile ring.



---

! This page is intentionally left blank.

# Zurcon® Rimseal



---

Single-acting

---

Rubber-energized plastic-faced seal

**Material:**

Zurcon® and Elastomer

---



---

! This page is intentionally left blank.



## Zurcon® Rimseal\*



### Description

When the application requirements make high demands on leakage control and reliability, a redundant sealing system is necessary to ensure reliable sealing of hydraulic cylinders at the piston rod.

### METHOD OF OPERATION

Zurcon® Rimseal is an elastomer energized seal element. The changes in seal position in the groove, necessary for optimum sealing function, are guaranteed by the combination of the two parts: the O-Ring and seal ring.

In order to achieve a contact force increasing sealing effect with increasing pressure, the seal has a chamfer on the low pressure side which causes the seal to tilt slightly so that the seal ring is forced against the side of the groove. This creates an area of maximum pressure at the edge of the seal.

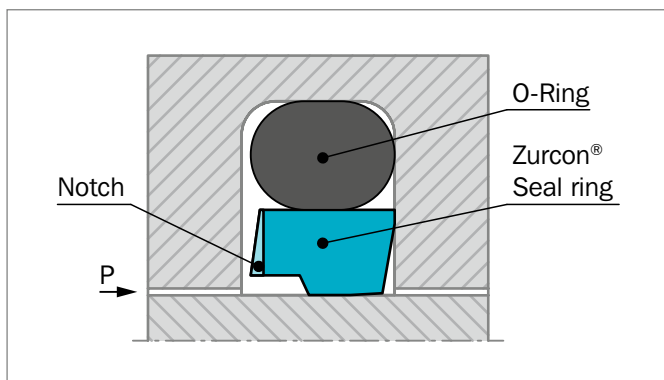


Figure 32: Zurcon® Rimseal

When Zurcon® Rimseal is used in a system with a double-acting scraper DA24 (DA22, DA17, DA27, Excluder® 2 resp. 5 or 500), the sealing function of the system must be assured even if pressure build-up occurs between Rimseal and the double-acting scraper.

The high-pressure side of the seal ring also has a chamfer which, in the event of a build-up of pressure behind Rimseal, comes into contact with the flank of the groove. Rimseal moves in the groove so that a contact pressure distribution is obtained on the rod which enhances the back-pumping effect.

\* Patent application: WO 92/19893 A1

### ADVANTAGES

- High static and dynamic sealing effect
- Low friction for reduced power loss
- High wear resistance for long service life
- Small groove
- Easy installation
- ISO 7425-2 grooves optional
- Available for any diameter from 8 to 2,200 mm

### APPLICATION EXAMPLES

- Mobile hydraulics
- Standard cylinders
- Machine tools
- Injection molding machines
- Presses

### OPERATING CONDITIONS:

<b>Pressure:</b>	In tandem system: Up to 60 MPa As an individual element: 25 MPa
<b>Velocity:</b>	5 m/s with short strokes <1 m in tandem system
<b>Temperature:</b>	-45 °C to +110 °C depending on O-Ring material
<b>Media:</b>	Hydraulic fluids <ul style="list-style-type: none"> <li>- Mineral oil</li> <li>- Synthetic and natural esters</li> <li>- HEES, HETG up to +60 °C</li> <li>- Flame retardant fluids HFA, HFC</li> </ul>
<b>Clearance:</b>	The maximum permissible radial clearance $S_{max}$ is shown in Table 22, as a function of the operating pressure and functional diameter.

### IMPORTANT NOTE

The above data are maximum values and cannot be used at the same time, e.g. the maximum operating speed depends on material type, pressure, temperature and gap value. Temperature range also depends on media.



## SERIES

Zurcon® Rimseal is a system seal and is preferably used in tandem sealing systems in conjunction with Stepseal® 2K. For this reason the type series are identical with those for Stepseal® 2K.

Table 22 shows the relationship between the series number according to the seal diameter range and the different application class sizes:

Standard application	RR13
Light application	RR15
Heavy-duty application	RR11

## REDUNDANT SEALING SYSTEM

Redundant sealing systems are used where the application conditions no longer permit reliable sealing over the demanded service life with a single seal.

The tandem sealing system is particularly important during cold starts when, due to the very high viscosity of the oil, the primary seal allows oil to pass as the piston rod is extended. In the tandem system the oil is heated as a result of the friction at the primary seal and is then reliably wiped off - at a now lower viscosity - by the secondary seal, the Zurcon® Rimseal.

As the piston rod is retracted, the oil is stored in the reservoir between the seals, and is then pumped back against the system pressure by the hydrodynamics in the seal clearance of Stepseal® 2K.

Particularly with strokes of more than 1 meter, measures have to be taken to provide a storage chamber between the seals.

Rimseal is designed to have the back-pumping effect necessary when using a double-acting scraper in the rod sealing system.

Figure 33 shows a redundant rod seal system consisting of Stepseal® 2K, Rimseal and Scraper DA22 with corresponding wear ring arrangement.

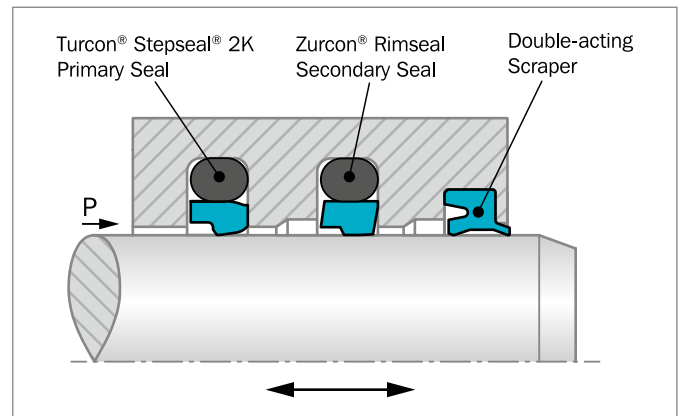


Figure 33: Zurcon® Rimseal in tandem configuration

The optimum rod sealing system for hydraulic cylinders subject to heavy loads should consist of three elements:

- 1) Turcon® Stepseal® 2K used as a primary seal. This seal element offers the back-pumping property necessary for redundant rod seal systems.
- 2) Zurcon® Rimseal as the secondary seal in this system to ensure reliable sealing of thin oil films at low secondary pressures. A Zurcon® material (polyurethane Shore D 58) is used combined with a new seal profile.
- 3) The final outer element of the redundant sealing system is a double-acting scraper seal (e.g. DA24, DA22, DA17, DA27. Turcon® Excluder® 2 resp. 5 or Zurcon® Excluder® 500).

The sealing system thus consists of three independent lip seals installed in line, in which the hardness of the material decreases from the pressure side to the atmospheric side.

## INSTALLATION INSTRUCTIONS

Zurcon® Rimseal is installed according to information at Seite 39 and 40.

Closed groove installation applies the same dimensions as Turcon® Stepseal® 2K in Table 6 auf Seite 40.

## MATERIAL

### Zurcon® Rimseal in Zurcon® Z54

For light to heavy applications with linear movements in mineral oils and other media according to the Technical Data. Rimseal in Zurcon® Z54, special polyurethane 58 Shore D, is available in the following material combinations as standard:

O-Ring:	NBR 70 Shore A	N
	NBR 70 Shore A Low temp.	T

Set code: Z54N or Z54T



## Installation Recommendation

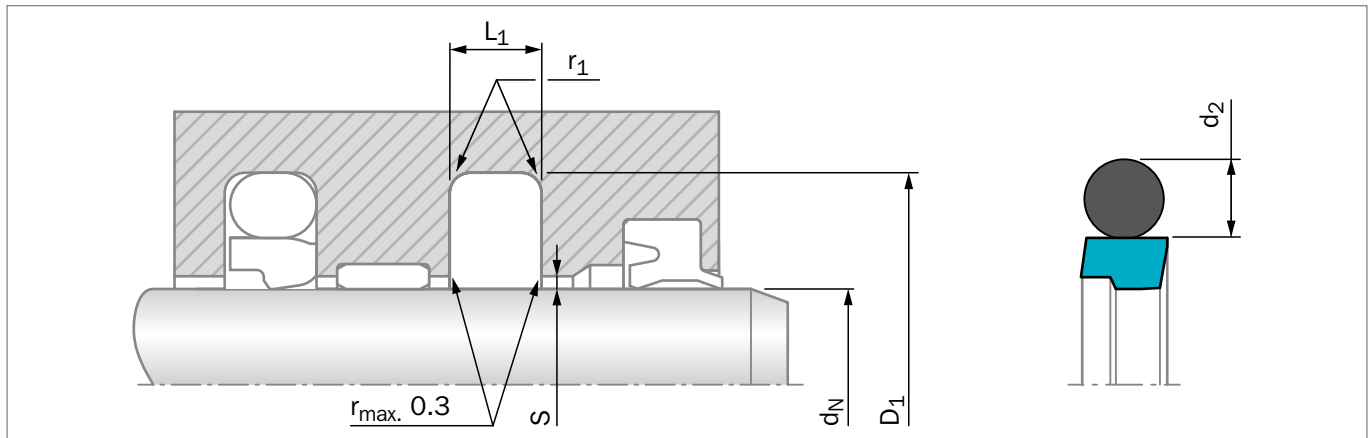


Figure 34: Installation Drawing

Table 22: Installation Dimensions – Standard Recommendations

Rod Diameter $d_N$ f8/h9			Groove Diameter	Groove Width	Radius	Radial Clearance $S_{max}^*$		O-Ring Cross Section
Series No. RR 13 Standard Application	Series No. RR 15 Light Application	Series No. RR 11 Heavy Duty Application	$D_1$ H9	$L_1 + 0.2$	$r_1$ max	10 MPa	20 MPa	$d_2$
8 - 18.9	19 - 37.9	-	$d_N + 7.3$	3.2	0.6	0.40	0.25	2.62
19 - 37.9	38 - 199.9	8 - 18.9	$d_N + 10.7$	4.2	1.0	0.40	0.25	3.53
38 - 199.9	200 - 255.9	19 - 37.9	$d_N + 15.1$	6.3	1.3	0.50	0.30	5.33
200 - 255.9	256 - 649.9	38 - 199.9	$d_N + 20.5$	8.1	1.8	0.60	0.35	7.00
256 - 649.9	650 - 999.9	200 - 255.9	$d_N + 24.0$	8.1	1.8	0.60	0.35	7.00
650 - 999.9	1,000 - 2,200	256 - 649.9	$d_N + 27.3$	9.5	2.5	0.70	0.50	8.40
1,000 - 2,200	-	650 - 999.9	$d_N + 38.0$	13.8	3.0	1.00	0.70	12.00**

Installation in closed grooves from diameters > 18 mm. Also for installation according to ISO 7425-2.

\* Installed as secondary seal utilize  $S_{max}$  of the primary seal.

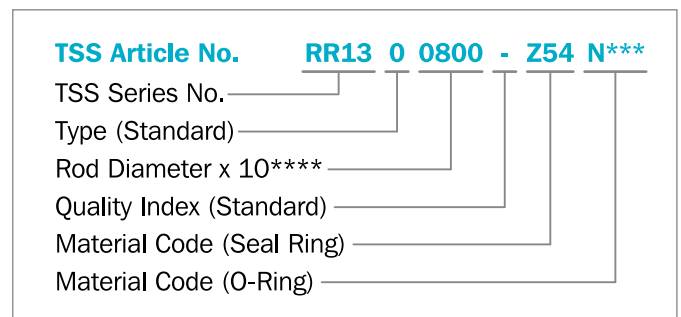
\*\*All O-Rings with 12 mm cross section are delivered as a special profile ring.

### ORDERING EXAMPLE

Zurcon® Rimseal complete with O-Ring, standard application:

<b>Series:</b>	RR13 from Table 22
<b>Rod diameter:</b>	$d_N = 80.0$ mm
<b>TSS Part No.:</b>	RR1300800 from Table 23

Select material Z54. The corresponding code numbers are appended to the TSS Part No. Together these form the TSS Article Number. The TSS Article Number for all intermediate sizes can be determined by following the example:



\*\*\* Zurcon® Rimseal is always supplied as a set with a Nitrile O-Ring, code N or T. See page 68 O-Ring Code.

\*\*\*\* For diameters  $d_N$  1,000.0 mm multiply only by factor 1.  
Example: RR13 for diameter  $d_N = 1,200.0$  mm.  
TSS Article No.: RR13**X1200** - Z54N.





Table 23: Installation Dimensions / TSS Article No.

Rod	Groove Dia.	Groove Width	TSS Article No. *	O-Ring Size	Rod	Groove Dia.	Groove Width	TSS Article No. *	O-Ring Size
$d_N$ f8/h9	$D_1$ H9	$L_1$ +0.2			$d_N$ f8/h9	$D_1$ H9	$L_1$ +0.2		
8.0	15.3	3.2	RR1300080-Z54N	10.77 x 2.62	95.0	110.1	6.3	RR1300950-Z54N	100.97 x 5.33
10.0	17.3	3.2	RR1300100-Z54N	12.37 x 2.62	100.0	115.1	6.3	RR1301000-Z54N	107.32 x 5.33
12.0	19.3	3.2	RR1300120-Z54N	13.94 x 2.62	105.0	120.1	6.3	RR1301050-Z54N	110.49 x 5.33
14.0	21.3	3.2	RR1300140-Z54N	17.12 x 2.62	110.0	125.1	6.3	RR1301100-Z54N	116.84 x 5.33
16.0	23.3	3.2	RR1300160-Z54N	18.72 x 2.62	110.0	130.5	8.1	RR1101100-Z54N	116.89 x 7.00
18.0	25.3	3.2	RR1300180-Z54N	20.29 x 2.62	115.0	130.1	6.3	RR1301150-Z54N	120.02 x 5.33
20.0	27.3	3.2	RR1500200-Z54N	21.89 x 2.62	120.0	135.1	6.3	RR1301200-Z54N	126.37 x 5.33
20.0	30.7	4.2	RR1300200-Z54N	23.40 x 3.53	125.0	140.1	6.3	RR1301250-Z54N	129.54 x 5.33
22.0	29.3	3.2	RR1500220-Z54N	25.07 x 2.62	125.0	145.5	8.1	RR1101250-Z54N	132.72 x 7.00
22.0	32.7	4.2	RR1300220-Z54N	26.58 x 3.53	130.0	145.1	6.3	RR1301300-Z54N	135.89 x 5.33
25.0	32.3	3.2	RR1500250-Z54N	26.64 x 2.62	135.0	150.1	6.3	RR1301350-Z54N	142.24 x 5.33
25.0	35.7	4.2	RR1300250-Z54N	29.75 x 3.53	140.0	155.1	6.3	RR1301400-Z54N	145.42 x 5.33
28.0	35.3	3.2	RR1500280-Z54N	29.82 x 2.62	145.0	160.1	6.3	RR1301450-Z54N	151.77 x 7.00
28.0	38.7	4.2	RR1300280-Z54N	32.92 x 3.53	150.0	165.1	6.3	RR1301500-Z54N	158.12 x 5.33
30.0	37.3	3.2	RR1500300-Z54N	32.99 x 2.62	150.0	170.5	8.1	RR1101500-Z54N	158.12 x 7.00
30.0	40.7	4.2	RR1300300-Z54N	34.52 x 3.53	155.0	170.1	6.3	RR1301550-Z54N	158.12 x 5.33
32.0	39.3	3.2	RR1500320-Z54N	34.59 x 2.62	160.0	175.1	6.3	RR1301600-Z54N	164.47 x 5.33
32.0	42.7	4.2	RR1300320-Z54N	36.09 x 3.53	160.0	180.5	8.1	RR1101600-Z54N	170.82 x 7.0
35.0	42.3	3.2	RR1500350-Z54N	37.77 x 2.62	165.0	180.1	6.3	RR1301650-Z54N	170.82 x 5.33
35.0	45.7	4.2	RR1300350-Z54N	37.70 x 3.53	170.0	185.1	6.3	RR1301700-Z54N	177.17 x 5.33
36.0	43.3	3.2	RR1500360-Z54N	39.34 x 2.62	175.0	190.1	6.3	RR1301750-Z54N	183.52 x 5.33
36.0	46.7	4.2	RR1300360-Z54N	40.87 x 3.53	180.0	195.1	6.3	RR1301800-Z54N	183.52 x 5.33
40.0	50.7	4.2	RR1500400-Z54N	44.04 x 3.53	180.0	200.5	8.1	RR1101800-Z54N	189.87 x 7.00
40.0	55.1	6.3	RR1300400-Z54N	43.82 x 5.33	185.0	200.1	6.3	RR1301850-Z54N	189.87 x 5.33
45.0	55.7	4.2	RR1500450-Z54N	50.39 x 3.53	190.0	205.1	6.3	RR1301900-Z54N	196.22 x 5.33
45.0	60.1	6.3	RR1300450-Z54N	50.17 x 5.33	200.0	220.5	8.1	RR1302000-Z54N	208.92 x 7.00
50.0	60.7	4.2	RR1500500-Z54N	53.57 x 3.53	210.0	230.5	8.1	RR1302100-Z54N	215.27 x 7.00
50.0	65.1	6.3	RR1300500-Z54N	56.52 x 5.33	220.0	240.5	8.1	RR1302200-Z54N	227.97 x 7.00
55.0	65.7	4.2	RR1500550-Z54N	59.92 x 3.53	230.0	250.5	8.1	RR1302300-Z54N	240.67 x 7.00
55.0	70.1	6.3	RR1300550-Z54N	59.69 x 5.33	240.0	260.5	8.1	RR1302400-Z54N	253.37 x 7.00
56.0	71.1	6.3	RR1300560-Z54N	62.87 x 5.33	250.0	270.5	8.1	RR1302500-Z54N	266.07 x 7.00
60.0	70.7	4.2	RR1500600-Z54N	63.09 x 3.53	260.0	284.0	8.1	RR1302600-Z54N	266.07 x 7.00
60.0	75.1	6.3	RR1300600-Z54N	66.04 x 5.33	280.0	304.0	8.1	RR1302800-Z54N	291.47 x 7.00
63.0	73.7	4.2	RR1500630-Z54N	66.27 x 3.53	300.0	324.0	8.1	RR1303000-Z54N	316.87 x 7.00
63.0	78.1	6.3	RR1300630-Z54N	69.22 x 5.33	310.0	334.0	8.1	RR1303100-Z54N	316.87 x 7.00
65.0	80.1	6.3	RR1300650-Z54N	69.22 x 5.33	320.0	344.0	8.1	RR1303200-Z54N	329.57 x 7.00
70.0	85.1	6.3	RR1300700-Z54N	75.57 x 5.33	340.0	364.0	8.1	RR1303400-Z54N	354.97 x 7.00
75.0	90.1	6.3	RR1300750-Z54N	81.92 x 5.33	350.0	374.0	8.1	RR1303500-Z54N	367.67 x 7.00
80.0	90.7	4.2	RR1500800-Z54N	85.32 x 3.53	360.0	384.0	8.1	RR1303600-Z54N	367.67 x 7.00
80.0	95.1	6.3	RR1300800-Z54N	85.09 x 5.33	380.0	404.0	8.1	RR1303800-Z54N	393.07 x 7.00
85.0	100.1	6.3	RR1300850-Z54N	91.44 x 5.33	400.0	424.0	8.1	RR1304000-Z54N	417.96 x 7.00
90.0	105.1	6.3	RR1300900-Z54N	94.62 x 5.33	420.0	444.0	8.1	RR1304200-Z54N	430.66 x 7.00



Rod	Groove Dia.	Groove Width	TSS Article No. *	O-Ring Size
$d_N$ f8/h9	$D_1$ H9	$L_1$ +0.2		
450.0	474.0	8.1	RR1304500-Z54N	468.76 x 7.00
480.0	504.0	8.1	RR1304800-Z54N	494.16 x 7.00
500.0	524.0	8.1	RR1305000-Z54N	506.86 x 7.00
600.0	624.0	8.1	RR1306000-Z54N	608.08 x 7.00
610.0	634.0	8.1	RR1306100-Z54N	633.48 x 7.00
620.0	644.0	8.1	RR1306200-Z54N	633.48 x 7.00
630.0	654.0	8.1	RR1306300-Z54N	658.88 x 7.00
640.0	664.0	8.1	RR1306400-Z54N	658.88 x 7.00
650.0	677.3	9.5	RR1306500-Z54N	663.00 x 8.40
656.0	683.3	9.5	RR1306560-Z54N	669.00 x 8.40
660.0	687.3	9.5	RR1306600-Z54N	673.00 x 8.40
680.0	707.3	9.5	RR1306800-Z54N	693.00 x 8.40
685.0	712.3	9.5	RR1306850-Z54N	698.00 x 8.40
700.0	724.0	8.1	RR1507000-Z54N	712.00 x 7.00
700.0	727.3	9.5	RR1307000-Z54N	713.00 x 8.40
710.0	737.3	9.5	RR1307100-Z54N	723.00 x 8.40
730.0	757.3	9.5	RR1307300-Z54N	743.00 x 8.40
760.0	787.3	9.5	RR1307600-Z54N	773.00 x 8.40
765.0	792.3	9.5	RR1307650-Z54N	778.00 x 8.40
780.0	807.3	9.5	RR1307800-Z54N	793.00 x 8.40
790.0	817.3	9.5	RR1307900-Z54N	803.00 x 8.40
800.0	827.3	9.5	RR1308000-Z54N	813.00 x 8.40
810.0	837.3	9.5	RR1308100-Z54N	823.00 x 8.40
820.0	847.3	9.5	RR1308200-Z54N	833.00 x 8.40
830.0	857.3	9.5	RR1308300-Z54N	843.00 x 8.40
850.0	877.3	9.5	RR1308500-Z54N	863.00 x 8.40
870.0	897.3	9.5	RR1308700-Z54N	883.00 x 8.40
880.0	907.3	9.5	RR1308800-Z54N	893.00 x 8.40
885.0	912.3	9.5	RR1308850-Z54N	898.00 x 8.40
890.0	917.3	9.5	RR1308900-Z54N	903.00 x 8.40
930.0	957.3	9.5	RR1309300-Z54N	943.00 x 8.40
955.0	982.3	9.5	RR1309550-Z54N	968.00 x 8.40
1,000.0	1,038.0	13.8	RR13X1000-Z54N	1,016.00 x 12.00
1,035.0	1,073.0	13.8	RR13X1035-Z54N	1,051.00 x 12.00
1,040.0	1,067.3	9.5	RR15X1040-Z54N	1,053.00 x 8.40
1,040.0	1,078.0	13.8	RR13X1040-Z54N	1,056.00 x 12.00
1,050.0	1,077.3	9.5	RR15X1050-Z54N	1,063.00 x 8.40
1,050.0	1,088.0	13.8	RR13X1050-Z54N	1,066.00 x 12.00
1,100.0	1,138.0	13.8	RR13X1100-Z54N	1,116.00 x 12.00
1,120.0	1,147.3	9.5	RR15X1120-Z54N	1,133.00 x 8.40
1,120.0	1,158.0	13.8	RR13X1120-Z54N	1,136.00 x 12.00
1,200.0	1,227.3	9.5	RR15X1200-Z54N	1,213.00 x 8.40

Rod	Groove Dia.	Groove Width	TSS Article No. *	O-Ring Size
$d_N$ f8/h9	$D_1$ H9	$L_1$ +0.2		
1,200.0	1,238.0	13.8	RR13X1200-Z54N	1,216.00 x 12.00
1,330.0	1,357.3	9.5	RR15X1330-Z54N	1,343.00 x 8.40
1,330.0	1,368.0	13.8	RR13X1330-Z54N	1,346.00 x 12.00
1,500.0	1,527.3	9.5	RR15X1500-Z54N	1,513.00 x 8.40
1,500.0	1,538.0	13.8	RR13X1500-Z54N	1,516.00 x 12.00
1,600.0	1,638.0	13.8	RR13X1600-Z54N	1,616.00 x 12.00
2,000.0	2,038.0	13.8	RR13X2000-Z54N	2,016.00 x 12.00

The rod diameters in **bold** type are in accordance with the recommendations of ISO 3320.

Other dimensions and all intermediate sizes up to 2,200 mm diameter including imperial (inch) sizes can be supplied.

\* TSS Article Number incl. of NBR O-Ring.

For application of low-temperature O-Ring, please use Material Set Code Z54T instead of Z54N

All O-Rings with 12 mm cross section are delivered as special profile ring.

---

! This page is intentionally left blank.

# Zurcon® Rimseal IM



---

Injection Molded (IM)

---

Single-acting

---

Rubber-energized plastic-faced seal

---

**Material:**

Zurcon® Z13 and Elastomer

---



---

! This page is intentionally left blank.



## Zurcon® Rimseal IM\*



### Description

Zurcon® Rimseal IM is an O-Ring energized rod seal designed for high demanding applications, with manufacturing feasible by both injection molding and by lathing from injection molded TPU Zurcon® tubes.

Zurcon® Rimseal IM is an asymmetric rod seal with a slipper ring made of Zurcon® Z13, fitting into both Stepseal® and ISO 7425-2 grooves.

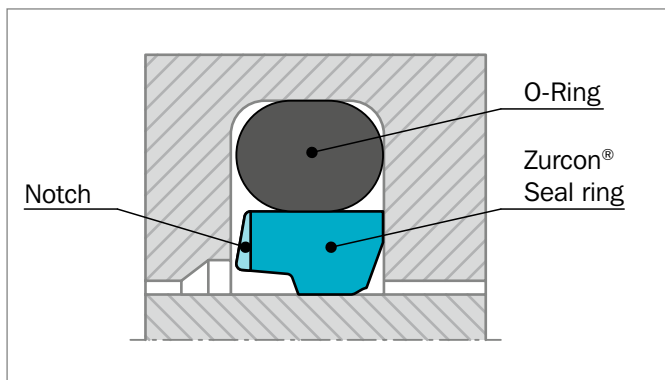


Figure 35: Zurcon® Rimseal IM

Contact length and profile tilting angles are optimized to give the desired contact pressure distribution throughout a wide range of pressures, hardware machining tolerances and different working temperatures within the admissible temperature range.

Especially in tandem with various primary seals, this new design promises to give an effective solution for modern hydraulic applications.

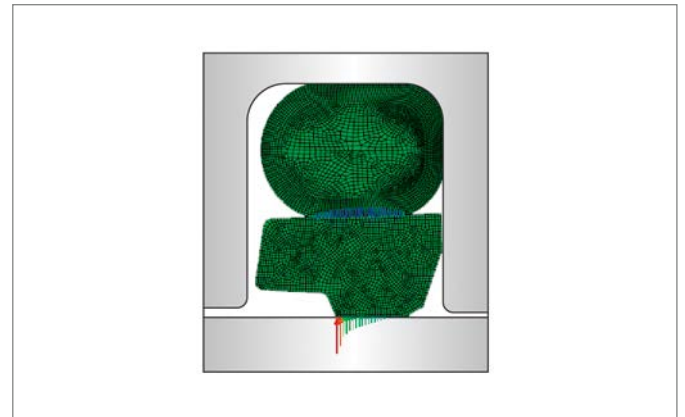


Figure 36: Zurcon® Rimseal IM

This profile is tested and proven to work efficiently within a Lubrication Management (LM) PUR system configuration.

Zurcon® Rimseal IM is able to combine very high abrasion and extrusion resistance together with chemical compatibility.

The wear resistance is improved even more with a LM configuration due to friction reduction within the whole sealing system compared to other traditional TPU solutions.

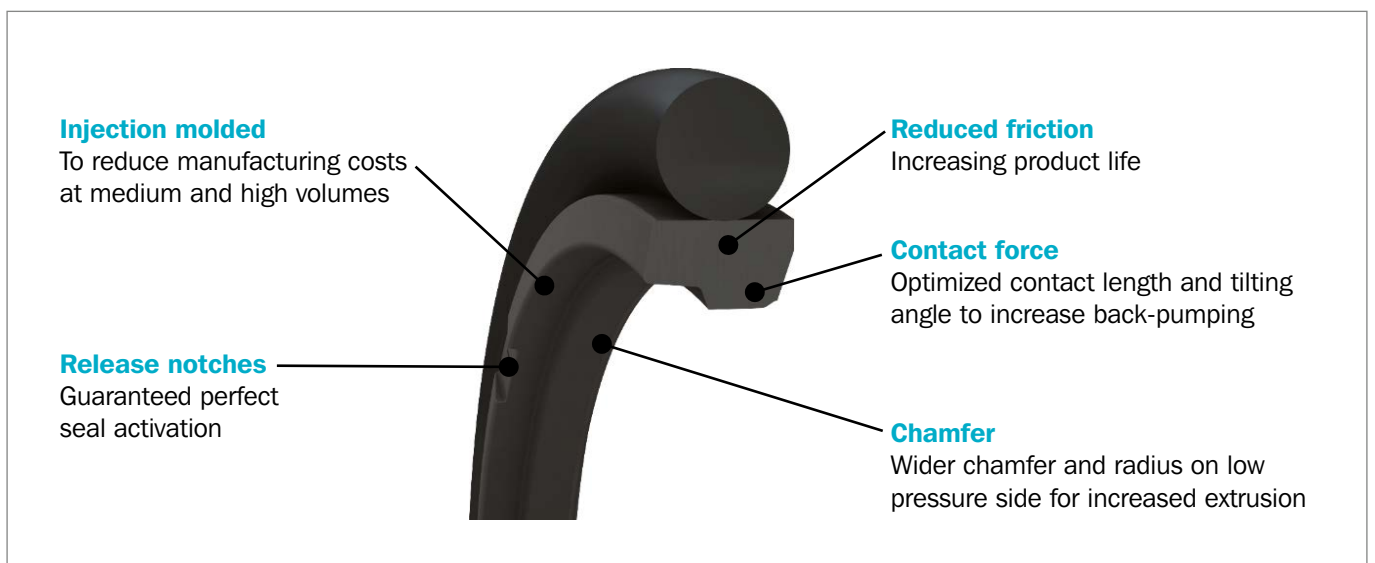


Figure 37: Zurcon® Rimseal IM design features

\* Patent application: WO 92/19893 A1





### METHOD OF OPERATION

Like all slipper seals, the initial compression is generated by O-Ring squeeze. The contact force distribution at low pressures is optimized for low friction and tight sealing.

Four radial notches at the back of the seal guarantee O-Ring activation, even in the cases of contact with the back side of the groove or for sudden pressure release when the pressure drops. A design shape at the outer corner was studied to increase extrusion resistance (Figure 37).

In Figure 38 shows Von Mises Stress at 3 different pressure levels: after installation, medium range and 25 MPa.

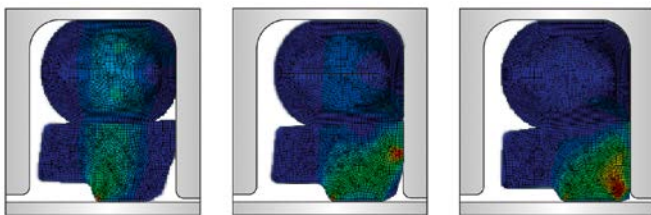


Figure 38: left: 0 MPa; center: 5 MPa; right: 25 MPa

Contact length and tilt angle are also optimized for seal stability at high pressures. The FEA design, shows very good positioning in the groove and relatively small deformation, keeping displacement to a low level with consequent lower material stress, which reduces extrusion risk. Zurcon® Rimseal IM is designed to control fluid film during both outstroke and instroke. The back-pumping function was improved with a special design on the low-pressure side which also provides additional extrusion resistance, unique to Zurcon® Z13 (Figure 38).

### ADVANTAGES

- Feasible both by injection moulding and by lathing from injection moulded TPU Zurcon® Z13 tubes.
- Increased extrusion resistance and outstanding abrasion resistance of TPU Zurcon® Z13 positions Zurcon® Rimseal IM as an effective and reliable choice for tandem seal configurations
- Calibrated rod contact pressure and reduced friction from optimized back-pumping behaviour give Zurcon® Rimseal IM the capability to control oil film, making it a very good choice as a secondary seal in Lubrication Management configurations

### APPLICATION EXAMPLES

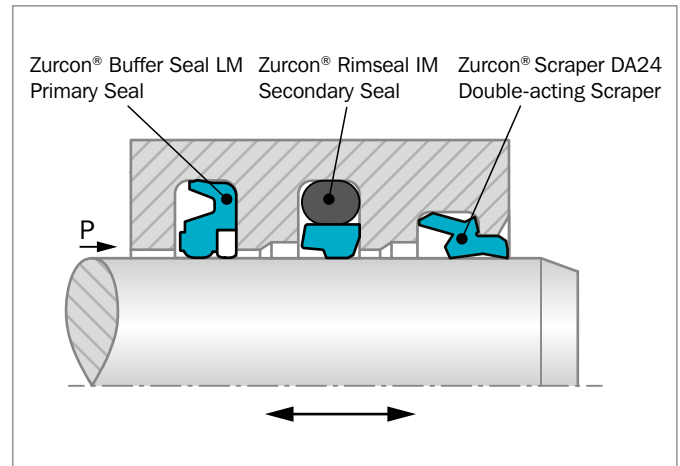


Figure 39: Tandem configuration

- Construction machinery
- Hydraulic cylinders
- Earth moving equipment
- Mobile hydraulics
- Agriculture
- Mobile cranes
- Fork lifts



## OPERATING CONDITIONS:

<b>Pressure:</b>	60 MPa in tandem system 25 MPa as individual element
<b>Velocity:</b>	0.5 m/s as primary seal 5 m/s with short strokes (<1 m) in tandem systems
<b>Temperature:</b>	-45 °C to +110 °C depending on O-Ring material
<b>Media:</b>	<ul style="list-style-type: none"> <li>- Mineral oil</li> <li>- Synthetic and natural esters</li> <li>- HEES, HETG up to +60 °C</li> <li>- Flame retardant fluids HF</li> <li>- Special optimized for flame retardant fluids (HFC) up to +60 °C</li> </ul>
<b>Installation:</b>	<ul style="list-style-type: none"> <li>- Standard mounting in closed grooves.</li> <li>- For Ø &lt;18 mm request a split groove.</li> <li>- No recalibration needed for installation in closed groove.</li> </ul>

## IMPORTANT NOTE

The above data are maximum values and cannot be used at the same time, e.g. the maximum operating speed depends on pressure, temperature and gap value. A combination of pressure and speed might cause local heat increases, so care should be taken when evaluating high values for the above parameters simultaneously.

## MATERIAL

Zurcon® Z13 is the 60 ShD TPU that combines excellent mechanical and elastic material properties:

- Temperature range from -45 °C to +110 °C (for short periods, up to +120 °C)
- Good combination of elasticity and tensile strength
- Low friction
- Excellent chemical compatibility
- Low compression set at high temperatures

**Table 24: Recommended materials**

Code	O-Ring Material Shore A	Code	O-Ring Temp. °C*
Z13	NBR 70	N	-30 to +100
	NBR 70 Low temp.	T	-45 to +80
	HNBR 70	H	-30 to +110
	FKM 70	V	-10 to (+200)

\* The O-Ring operation temperature is only valid in mineral hydraulic oil.

**Table 25: Z13 Chemical compatibility: General guideline (Laboratory compatibility tests 1,008 hours)**

FLUIDS TYPE	DIN / ISO Code	Temperatur	Results
Mineral Oils	HLP	+110 °C	Excellent
	HVLP		
	HLPD		
Synthetics fluids	HEES	+80 °C to +100 °C	Excellent
	HEPG (PAG)	+60 °C	Good
	HEPR (PAO)	+100 °C	Excellent
Water based fluids	HFA	+50 °C to +60 °C	Good
	HFC	+60 °C	Excellent
Synthetics water free fluids	HFDU	+100 °C	Excellent

The above results must be considered as general guidelines. We recommend verifying the compound compatibility with the specific fluids and temperature conditions experienced in the application.



## ■ Installation Recommendation

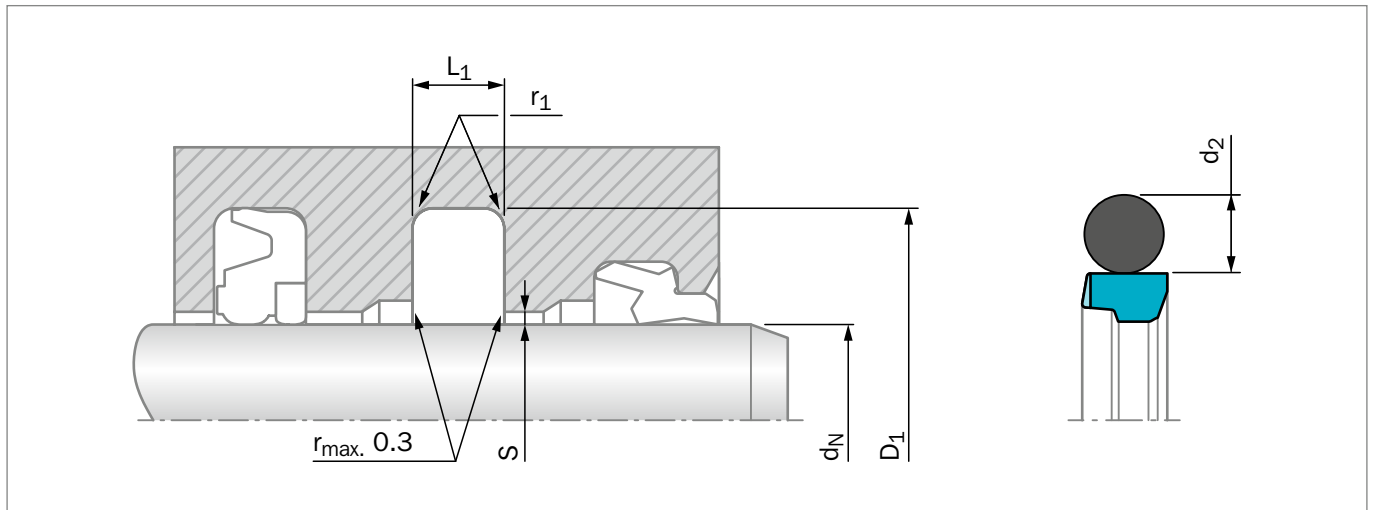


Figure 40: Installation Drawing

**Table 26: Installation Dimensions – Standard Recommendations**

Seal Series No.	Rod Diameter $d_N$ f8/h9			Groove Diameter $D_1$ H9	Groove Width $L_1 + 0.2$	Radial Clearance $S_{max}^{**}$ at +110 °C				O-Ring Cross Section $d_2$
	Light Application	Standard Application	Heavy Duty Application			16 MPa	26 MPa	32 MPa	40 MPa	
RRB1	19 - 37.9	8 - 18.9***	-	$d_N + 7.3$	3.2	0.30	0.20	-	-	2.62
RRB2	38 - 149.9	19 - 37.9	8 - 18.9	$d_N + 10.7$	4.2	0.40	0.30	0.20	-	3.53
RRB3	200 - 255.9	38 - 199.9	19 - 37.9	$d_N + 15.1$	6.3	0.40	0.30	0.20	-	5.33
RRB4	256 - 399.9*	200 - 255.9	38 - 199.9	$d_N + 20.5$	8.1	0.50	0.40	0.30	0.25	7.00
RRB8	-	256 - 399.9*	200 - 255.9	$d_N + 24.0$	8.1	0.50	0.40	0.30	0.25	7.00
RRB5	-	-	256 - 399.9*	$d_N + 27.3$	9.5	0.60	0.50	0.40	0.35	8.40

Installation in closed grooves from diameters > 18 mm. Also for installation according to ISO 7425-2.

\* Max diameter for lathed seal from IM Z13 tube

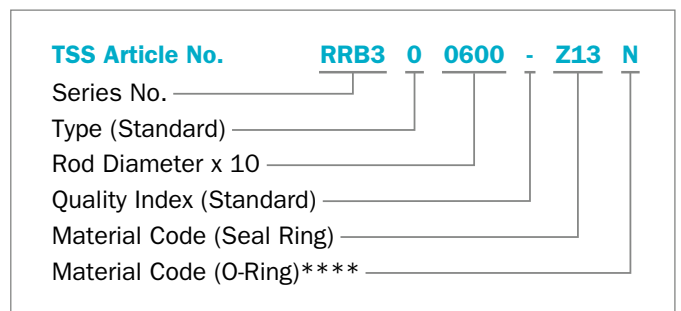
\*\* When installed as secondary seal utilize  $S_{max}$  of the primary seal.

\*\*\* Special type of mold is necessary

### ORDERING EXAMPLE

Zurcon® Rimseal IM complete with O-Ring:

<b>Rod diameter</b>	$d_N = 60.0$ mm
<b>Groove width:</b>	$L_1 = 6.3$ mm
<b>TSS Part No.:</b>	RRB300600 from Table 26 and Table 27



\*\*\*\* From Table 25


**Table 27: Installation Dimensions / TSS Article No.**

Rod Diameter	Groove Diameter	Groove Width	TSS Article No.	O-Ring Size
$d_N$ f8/h9	$D_1$ H9	$L_1$ +0.2		
<b>50.0</b>	<b>65.1</b>	<b>6.3</b>	<b>RRB300500-Z13</b>	<b>56.52 x 5.33</b>
60.0	75.1	6.3	RRB300600-Z13	66.04 x 5.33
65.0	80.1	6.3	RRB300650-Z13	69.22 x 5.33
<b>70.0</b>	<b>85.1</b>	<b>6.3</b>	<b>RRB300700-Z13</b>	<b>75.57 x 5.33</b>
75.0	90.1	6.3	RRB300750-Z13	81.92 x 5.33
<b>80.0</b>	<b>95.1</b>	<b>6.3</b>	<b>RRB300800-Z13</b>	<b>85.09 x 5.33</b>
85.0	100.1	6.3	RRB300850-Z13	91.44 x 5.33
<b>90.0</b>	<b>105.1</b>	<b>6.3</b>	<b>RRB300900-Z13</b>	<b>94.62 x 5.33</b>
95.0	110.1	6.3	RRB300950-Z13	100.97 x 5.33
<b>100.0</b>	<b>115.1</b>	<b>6.3</b>	<b>RRB301000-Z13</b>	<b>107.32 x 5.33</b>
105.0	120.1	6.3	RRB301050-Z13	110.49 x 5.33
<b>110.0</b>	<b>125.1</b>	<b>6.3</b>	<b>RRB301100-Z13</b>	<b>116.84 x 5.33</b>
115.0	130.1	6.3	RRB301150-Z13	120.02 x 5.33
120.0	135.1	6.3	RRB301200-Z13	126.37 x 5.33
<b>125.0</b>	<b>140.1</b>	<b>6.3</b>	<b>RRB301250-Z13</b>	<b>129.54 x 5.33</b>
130.0	145.1	6.3	RRB301300-Z13	135.89 x 5.33
<b>140.0</b>	<b>155.1</b>	<b>6.3</b>	<b>RRB301400-Z13</b>	<b>145.42 x 5.33</b>
150.0	165.1	6.3	RRB301500-Z13	158.12 x 5.33

All dimensions in **bold** type are in accordance with ISO 3320

---

! This page is intentionally left blank.

# Zurcon® L-Cup



---

Single-acting

---

Low Friction Properties

---

**Material:**

Zurcon®

---





---

! This page is intentionally left blank.



## ■ Zurcon® L-Cup® \*



### ■ Introduction

The rod sealing system is the most critical part of a hydraulic cylinder. Therefore it is expected that a rod sealing system performs under leak-free conditions in the static and dynamic state.

Moreover it has to fulfil a lifetime of several thousand hours.

To meet these requirements, Trelleborg Sealing Solutions has developed the Zurcon® L-Cup® \*, a highly effective and innovative rod sealing component.

### DESCRIPTION

Zurcon® L-Cup® is a single-acting polyurethane rod seal with a unique design offering a hydrodynamic backpumping ability over the complete working pressure range. The pressure-independent, hydrodynamic sealing ability of this new sealing element requires no lubrication reservoir in the sealing area and ensures a constant and controlled pressure distribution over a wide pressure range.

The advantages of the Zurcon® L-Cup® design lead to the following improved properties:

### ADVANTAGES

- Hydrodynamic back-pumping ability over the complete working pressure range
- Low friction and therefore a reduction of heat generated
- Low breakout force even after a long period of non-operation
- Very low stick-slip
- Low increase in friction at increasing pressure
- High extrusion resistance
- Optimum geometry of the static sealing lip for higher sealing ability
- No entrapped oil and grease between seal and groove (due to notches)
- No pressure build-up between seal and groove OD
- Long service life

The Zurcon® L-Cup® was designed in accordance with customers' demands.

- Groove dimensions according to ISO 5597 Part 2
- Interchangeable with existing U-Cup grooves

- Installation into closed grooves
- Wear and extrusion resistant high-performance polyurethane

### APPLICATION EXAMPLES

Zurcon® L-Cup® can be used in all applications in which previously a conventional U-Cup was applied, such as:

- Fork lifts
- Agricultural machines
- Light and medium mobile hydraulics
- Industrial hydraulics
- Machine tools
- Injection molding machines
- Hydraulic presses

Another preferred solution for tandem rod sealing systems is the combination with the Turcon® Stepseal® 2K as primary seal and L-Cup® as secondary seal, in conjunction with a double acting scraper.

### OPERATING CONDITIONS

<b>Pressure:</b>	Up to 40 MPa
<b>Velocity:</b>	Up to 0.5 m/s
<b>Temperature:</b>	-35 °C to +110 °C (Zurcon® Z20 standard)
<b>Media:</b>	Hydraulic fluids based on mineral oil

### IMPORTANT NOTE

The above data are maximum values and cannot be used at the same time, e.g. the maximum operating speed depends on material type, pressure, temperature and gap value. Temperature range also depends on media.

\* Patent application: WO 95/11395 A1



## MATERIALS

**Zurcon® Z20** Standard polyurethane 93 Shore A  
 Temperature: -35 °C to +110 °C  
 Color: Turquoise

**Zurcon® Z22** Premium polyurethane 93 Shore A  
 Temperature: -50 °C to +110 °C  
 Color: Dark petrol

**Zurcon® Z25** Premium polyurethane 93 Shore A  
 Temperature: -35 °C to +130 °C  
 Color: Black

## METHOD OF OPERATION

Trelleborg Sealing Solutions experience in the production of hydrodynamic back-pumping seals such as Turcon® Stepseal® 2K, and the use of Finite Element Analysis (FEA) and other laboratory tests have led to the development of Zurcon® L-Cup®. The main objective in the development of this seal was the ability to achieve an optimum pressure distribution over the complete pressure range.

The pressure distribution curve under the sealing lip needs to have a steep gradient on the high-pressure side and a shallow gradient on the rear of the seal.

The operating principles and function of Zurcon® L-Cup® is similar to the well-known Turcon® Stepseal® 2K.

## FRICITION

In Figure 41 the friction values of a conventional U-Cup and of Zurcon® L-Cup® are being compared. A high increase in friction of the U-Cup is clearly shown between approximately 5 and 15 MPa. This is due to the U-Cup being totally pressed on the rod surface at increased pressure, causing elimination of the oil reservoir and dry running of the U-Cup.

In comparison, the L-Cup® shows only a low increase in friction which is due to the smaller contact area and better tribological behaviour. The result is a low friction heat generation.

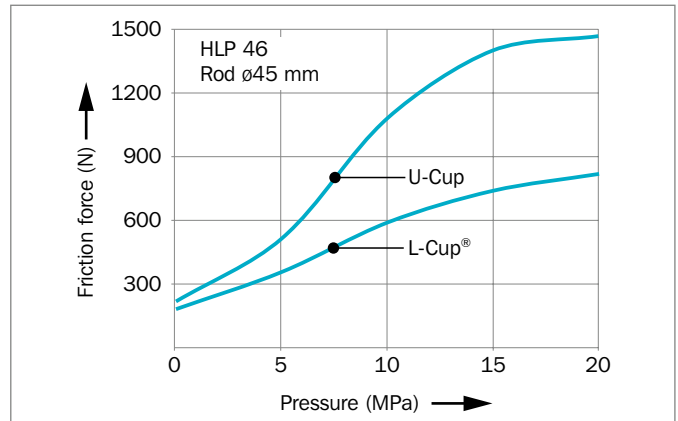


Figure 41: Friction dependent on pressure

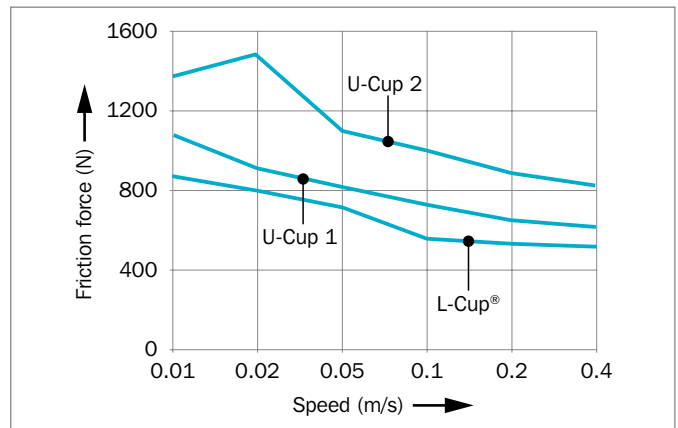


Figure 42: Friction dependent on speed

## FRICITION HEAT

The effect described above can be made visible by simply measuring the temperature. Figure 43 shows the increase in temperature on the rod surface caused by friction, measured at a pressure of 40 MPa after 20,000 cycles. This explains the prolonged service life of L-Cup®.

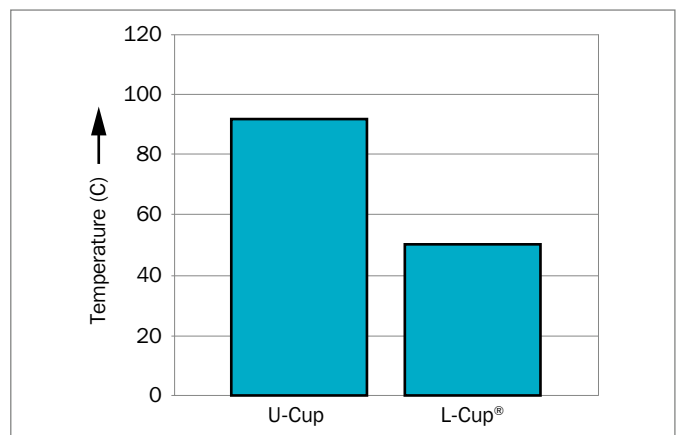


Figure 43: Increase in temperature caused by friction



## TEST CONDITIONS (FIGURE 43)

<b>Dimension:</b>	50 x 60 x 11 mm
<b>Pressure:</b>	0/40 MPa
<b>Velocity:</b>	0.1 m/s
<b>Temperature:</b>	ambient

## SEALING GAP

The recommended gap dimensions described in Figure 44, depend on pressure and temperature.

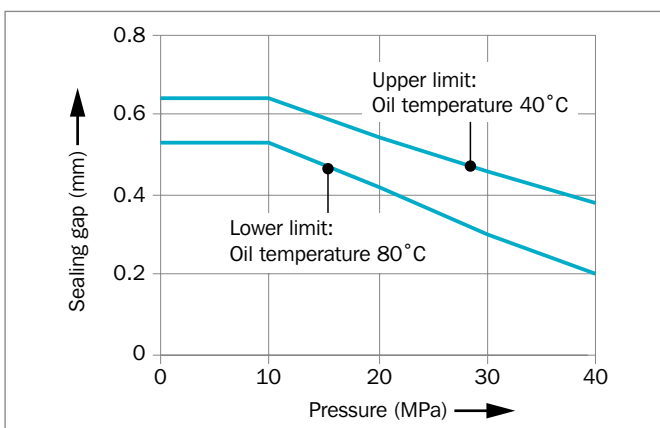


Figure 44: Sealing gap

## DESIGN INSTRUCTIONS

### Lead in chamfers

In order to avoid damage to the rod seal during installation, lead-in chamfers and rounded edges must be provided on the piston rods (Figure 45). If this is not possible for design reasons, a separate installation tool must be used.

The minimum length of the lead-in chamfer depends on the profile size of the seal and can be seen from the following tables.

Table 29: Material Selection

Material Code	Material Description	Temperature Range	Application
<b>Zurcon® Z20</b>	High performance Polyurethane 93 Shore A; standard grade for hydraulic	-35 °C to +110 °C	Excellent abrasion and extrusion resistance, minimal swelling in mineral oil, acceptable hydrolysis resistance.
<b>Zurcon® Z22</b>	High performance Polyurethane 93 Shore A; Premium grade for low temperature	-50 °C to +110 °C	Wide range of working temperatures with very good compression set performance at very low temperature. Excellent balance between swelling in mineral oil and hydrolysis resistance.
<b>Zurcon® Z25</b>	High performance Polyurethane 95 Shore A; Premium grade for high temperature	-35 °C to +130 °C	Wide range of working temperatures with excellent mechanical properties at high temperature.

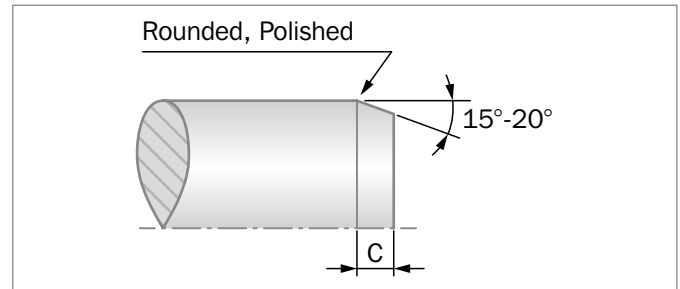


Figure 45: Lead-in chamfer

Table 28: Lead-in chamfers

Lead-in Chamfer Length C min.	Zurcon® L-Cup® Groove Depth*
2.0	3.5
2.0	4.0
2.5	5.0
4.0	7.5
5.0	10.0
6.5	12.5
7.5	15.0

\* The groove depth is calculated from:  $(D - d_N)/2$ .  
The dimensions for D and  $d_N$  can be found in Table 30.



## ■ Installation Recommendation

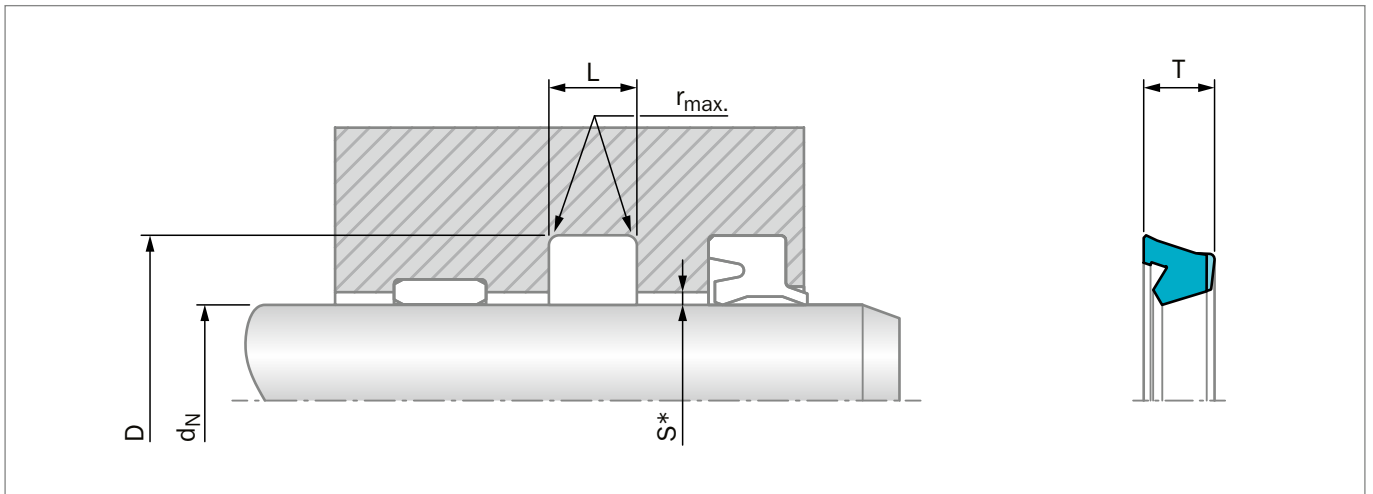


Figure 46: Installation Drawing

\* Gap measure "S" see Figure 44

### ORDERING EXAMPLE

L-Cup

<b>Rod Diameter:</b>	$d_N = 25.0 \text{ mm}$
<b>Groove Diameter:</b>	$D = 33.0 \text{ mm}$
<b>Groove Width:</b>	$L = 6.3 \text{ mm}$
<b>TSS Part No.:</b>	RL08N0250

**TSS Article No.**      **RL08 N 0250 - Z20**

TSS Series No. \_\_\_\_\_  
 Type (Standard) \_\_\_\_\_  
 Rod Diameter x 10 \_\_\_\_\_  
 Quality Index (Standard) \_\_\_\_\_  
 Material Code \_\_\_\_\_

### MATERIAL

<b>Standard Zurcon®:</b>	Z20
<b>Special Polyurethane:</b>	93 Shore A
<b>Color:</b>	Turquoise



Table 30: Installation Dimensions / TSS Part No.

Rod Diameter	Groove Diameter	Groove Width	Radius	Ring Width	TSS Part No.
$d_N$ f8	D H10	L +0.25	$r_{max.}$	T	
16	22	6.0	0.3	5.4	RL38N0160
20	26	5.5	0.3	5.0	RL04N0200
<b>*20</b>	<b>28</b>	<b>6.3</b>	<b>0.3</b>	<b>5.7</b>	<b>RL08N0200</b>
<b>*22</b>	<b>30</b>	<b>6.3</b>	<b>0.3</b>	<b>5.7</b>	<b>RL08N0220</b>
<b>25</b>	<b>33</b>	<b>8.0</b>	<b>0.3</b>	<b>7.2</b>	<b>RL10N0250</b>
<b>25</b>	<b>33</b>	<b>6.3</b>	<b>0.3</b>	<b>5.7</b>	<b>RL08N0250</b>
<b>28</b>	<b>36</b>	<b>6.3</b>	<b>0.5</b>	<b>5.7</b>	<b>RL08N0280</b>
<b>*28</b>	<b>38</b>	<b>8.0</b>	<b>0.3</b>	<b>7.2</b>	<b>RL14N0280</b>
30	38	6.3	0.3	5.7	RL08N0300
30	40	8.0	0.3	7.2	RL14N0300
30	38	8.0	0.3	7.2	RL10N0300
30	40	11.0	0.3	9.9	RL17N0300
<b>32</b>	<b>42</b>	<b>8.0</b>	<b>0.3</b>	<b>7.2</b>	<b>RL14N0320</b>
35	43	6.3	0.3	5.7	RL08N0350
35	45	11.0	0.3	9.9	RL17N0350
<b>36</b>	<b>44</b>	<b>6.3</b>	<b>0.5</b>	<b>5.7</b>	<b>RL08N0360</b>
<b>36</b>	<b>46</b>	<b>8.0</b>	<b>0.3</b>	<b>7.2</b>	<b>RL14N0360</b>
36	46	10.0	0.3	9.0	RL16N0360
38	48	11.0	0.3	9.9	RL17N0380
40	48	7.0	0.3	6.3	RL09N0400
<b>40</b>	<b>50</b>	<b>8.0</b>	<b>0.3</b>	<b>7.2</b>	<b>RL14N0400</b>
40	50	10.0	0.3	9.0	RL16N0400
42	52	8.0	0.3	7.2	RL14N0420
42	52	10.0	0.3	9.0	RL16N0420
45	53	8.0	0.3	7.2	RL10N0450
<b>45</b>	<b>55</b>	<b>8.0</b>	<b>0.3</b>	<b>7.2</b>	<b>RL14N0450</b>
48	60	11.0	0.3	9.9	RL36N0480
50	58	9.0	0.3	8.1	RL11N0500
<b>50</b>	<b>60</b>	<b>8.0</b>	<b>0.3</b>	<b>7.2</b>	<b>RL14N0500</b>
50	60	10.0	0.3	9.0	RL16N0500
<b>50</b>	<b>65</b>	<b>12.5</b>	<b>0.4</b>	<b>11.3</b>	<b>RL26N0500</b>
55	63	9.0	0.3	8.1	RL11N0550
55	65	10.0	0.3	9.0	RL16N0550
<b>56</b>	<b>71</b>	<b>12.5</b>	<b>0.4</b>	<b>11.3</b>	<b>RL26N0560</b>
60	68	9.0	0.3	8.1	RL11N0600
60	70	8.0	0.3	7.2	RL14N0600
60	70	10.0	0.3	9.0	RL16N0600
<b>63</b>	<b>78</b>	<b>12.5</b>	<b>0.4</b>	<b>11.3</b>	<b>RL26N0630</b>
65	75	10.0	0.3	9.0	RL16N0650
70	80	10.0	0.3	9.0	RL16N0700



Rod Diameter	Groove Diameter	Groove Width	Radius	Ring Width	TSS Part No.
$d_N$ f8	D H10	L +0.25	$r_{max.}$	T	
<b>70</b>	<b>85</b>	<b>12.5</b>	<b>0.4</b>	<b>11.3</b>	<b>RL26N0700</b>
75	90	12.5	0.3	11.3	RL26N0750
<b>80</b>	<b>95</b>	<b>12.5</b>	<b>0.4</b>	<b>11.3</b>	<b>RL26N0800</b>
85	100	13.1	0.4	11.8	RL27N0850
<b>90</b>	<b>105</b>	<b>12.5</b>	<b>0.4</b>	<b>11.3</b>	<b>RL26N0900</b>
<b>100</b>	<b>120</b>	<b>16.0</b>	<b>0.6</b>	<b>14.4</b>	<b>RL30N1000</b>
<b>110</b>	<b>130</b>	<b>16.0</b>	<b>0.6</b>	<b>14.4</b>	<b>RL30N1100</b>
115	135	16.0	0.6	14.4	RL30N1150
119	134	9.4	0.4	8.1	RL22N1190
120	135	12.5	0.4	11.3	RL26N1200
120	140	16.0	0.6	14.4	RL30N1200
125	140	12.0	0.4	10.8	RL25N1250
<b>125</b>	<b>145</b>	<b>16.0</b>	<b>0.6</b>	<b>14.4</b>	<b>RL30N1250</b>
130	150	16.0	0.6	14.4	RL30N1300
135	155	16.0	0.6	14.4	RL30N1350
<b>140</b>	<b>160</b>	<b>16.0</b>	<b>0.6</b>	<b>14.4</b>	<b>RL30N1400</b>
150	170	16.0	0.6	14.4	RL30N1500
155	175	16.0	0.6	14.4	RL30N1550
160	180	16.0	0.6	14.4	RL30N1600
195	220	20.0	0.6	18.0	RL32N1950

Dimensions and TSS Part Numbers in bold according to ISO 5597. \* Split groove



# Zurcon® U-Cup RU2



---

Single-acting U-Cup

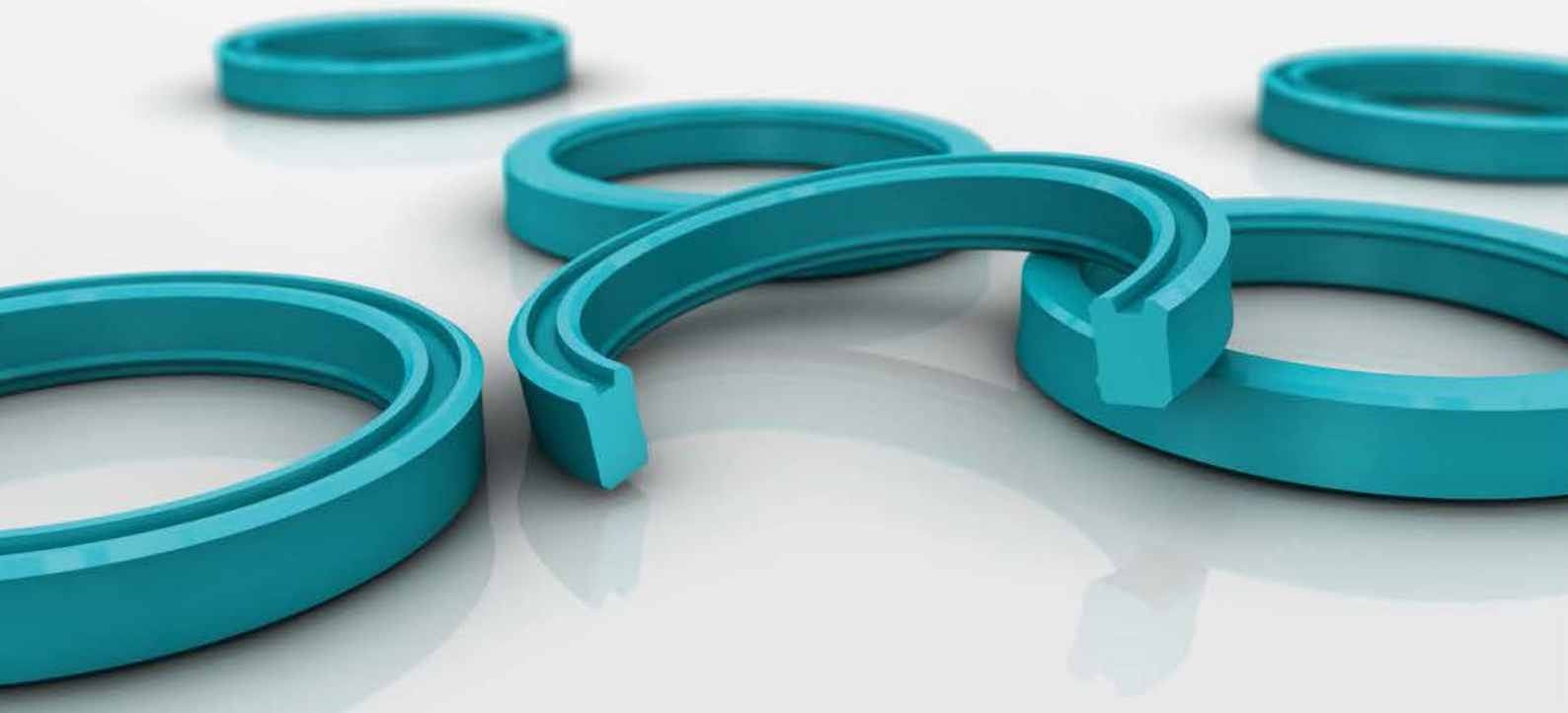
---

Asymmetric, Double Lip,  
Compact

---

**Material:**  
Zurcon®

---



---

! This page is intentionally left blank.



## Zurcon® U-Cup RU2



### Description

Today, U-Cups are used primarily as seals for piston rods in hydraulic cylinders. U-Cups in polyurethane are proven elements, due to their good mechanical properties, for standard cylinder construction, particularly for mobile hydraulics under rough operating conditions. The U-Cup RU2 is a double lip seal in a compact design.

### TYPE RU2

The compact U-Cup type RU2 is designed for small grooves. It is thus particularly suitable for use in space-saving designs. The compact form provides a high sealing effect even with low system pressures.

The U-Cup has two sealing lips in the dynamic sealing zone. The compact form with two sealing lips provides an improvement in the leakage behavior at low system pressures. Due to the incorporation of an oil trap between the two sealing lips, friction at pressures above approximately 10 MPa is reduced. Furthermore, the second sealing lip prevents the entry of dirt from the atmosphere side.

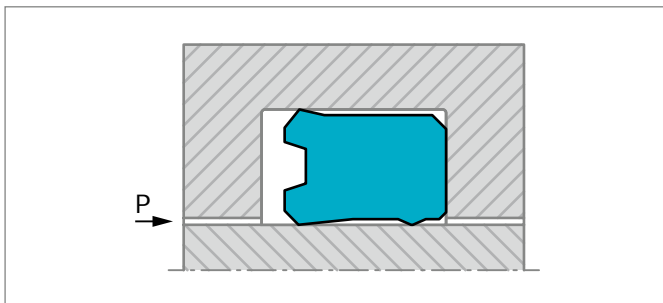


Figure 47: U-Cup, type RU2

### METHOD OF OPERATION

The sealing effect of the U-Cup comes from the intrinsic preload of the seal body and from the compression of the seal lips during installation. In operating conditions, the radial mechanical contact forces are superimposed by the system pressure.

At low stroke speeds, U-Cups can tend to have a stick-slip effect due to an inadequate lubrication film formation in the seal clearance and to their material properties. This behavior corresponds to the Stribeck curve described in the relevant literature.

### ADVANTAGES

- Good sealing effect at high and low pressures
- Good abrasion resistance, wear-resistant
- Unaffected by sudden loads
- Suitable for small grooves
- Simple installation

### OPERATING CONDITIONS

<b>Pressure:</b>	Max. 35 MPa
<b>Speed:</b>	Up to 0.5 m/s
<b>Temperature:</b>	Use in mineral oils: -35 °C to +110 °C
<b>Media:</b>	Mineral oil-based hydraulic fluids.

### IMPORTANT NOTE

The above data are maximum values and cannot be used at the same time, e.g. the maximum operating speed depends on material type, pressure, temperature and gap value. Temperature range also depends on media.

### MATERIAL

Standard Zurcon® :	Z20
Special Polyurethane:	93 Shore A
Temperature:	-35 °C to +110 °C
Color:	Turquoise



## SEAL CLEARANCE

Guide values for the radial clearance between rod and gland in relation to the operating pressure and rod diameter can be found in the table below.

**Table 31: Radial Clearance**

Operating max. Pressure MPa	Radial Clearance $S_{\max}$	
	$d_N < 60$ mm	$d_N > 60$ mm
5	0.40	0.50
10	0.30	0.40
20	0.20	0.30
30	0.15	0.20
40	0.10	0.15

The values for  $S_{\max}$  given in this table apply to all types for the low-pressure side of the U-Cup. They are designed for an operating temperature of 60 °C.

**Table 32: Material Selection**

Material Code	Material Description	Temperatur Range	Application
<b>Zurcon® Z20</b>	High performance Polyurethane 94 Shore A; standard grade for hydraulic	-35 °C to +110 °C	Excellent abrasion and extrusion resistance, minimal swelling in mineral oil, acceptable hydrolysis resistance.
<b>Zurcon® Z22</b>	High performance Polyurethane 93 Shore A; Premium grade for low temperature	-50 °C to +110 °C	Wide range of working temperatures with very good compression set performance at very low temperature. Excellent balance between swelling in mineral oil and hydrolysis resistance.



## ■ Installation Recommendation

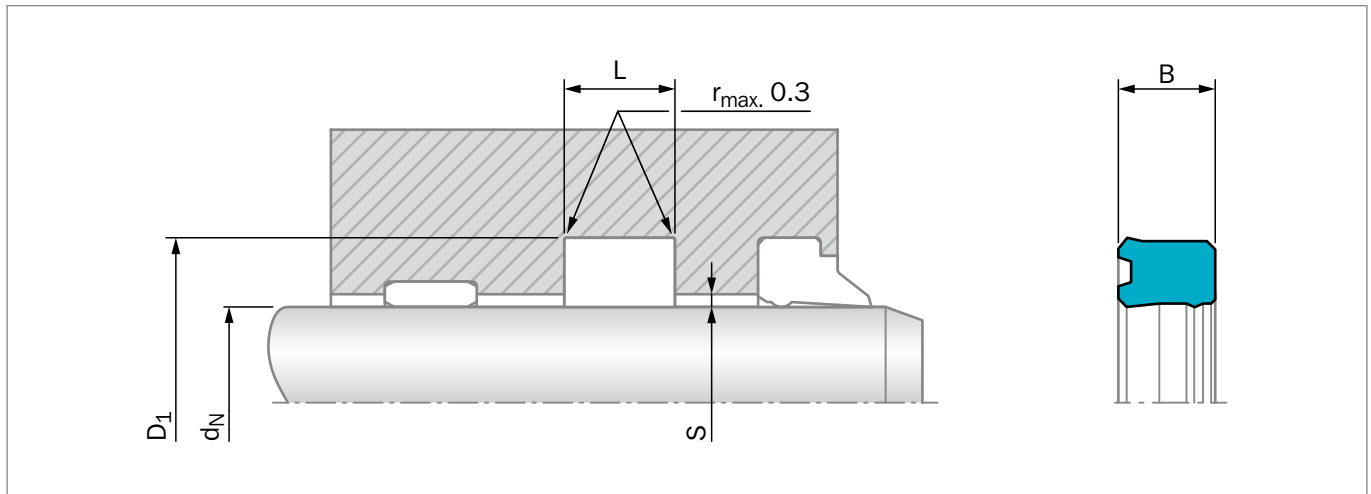


Figure 48: Installation Drawing

Dimensions "S" (see table on previous page)

### ORDERING EXAMPLE

U-Cup Type RU2

<b>Rod Diameter:</b>	$d_N = 45.0$ mm
<b>Groove Diameter:</b>	$D_1 = 55.0$ mm
<b>Groove Width:</b>	$L = 6.3$ mm
<b>TSS Part No.:</b>	RU2300450 -

#### TSS Article No.

RU23 0 0450 - Z20

TSS Series No. \_\_\_\_\_  
 Type (Standard) \_\_\_\_\_  
 Rod Diameter x 10 \_\_\_\_\_  
 Quality Index (Standard) \_\_\_\_\_  
 Material Code \_\_\_\_\_

### MATERIAL

Standard Zurcon® : Z20  
 Special Polyurethane: 93 Shore A  
 Color: Turquoise

**Table 33: Installation Dimensions / TSS Article No.**

Rod Diameter	Groove Diameter	Groove Width	Seal Width	TSS Part No.
$d_N$ f8/h9	$D_1$ H10	$L$ +0.2	$B$	
*6.0	14.0	6.3	5.8	RU2000060
*8.0	16.0	6.3	5.8	RU2200080
*10.0	18.0	6.3	5.8	RU2000100
*12.0	20.0	6.3	5.8	RU2100120
*14.0	22.0	6.3	5.8	RU2100140
*16.0	24.0	6.3	5.8	RU2000160
*18.0	26.0	6.3	5.8	RU2100180
20.0	28.0	6.3	5.8	RU2100200



Rod Diameter	Groove Diameter	Groove Width	Seal Width	TSS Part No.
$d_N$ f8/h9	$D_1$ H10	L +0.2	B	
<b>*20.0</b>	<b>30.0</b>	<b>8.0</b>	<b>7.0</b>	<b>RU2300200</b>
<b>22.0</b>	<b>30.0</b>	<b>6.3</b>	<b>5.8</b>	<b>RU2300220</b>
24.0	32.0	6.3	5.7	RU2000240
<b>25.0</b>	<b>33.0</b>	<b>6.3</b>	<b>5.7</b>	<b>RU2000250</b>
<b>*25.0</b>	<b>35.0</b>	<b>8.0</b>	<b>7.0</b>	<b>RU2400250</b>
*25.0	35.0	9.0	8.0	RU2500250
28.0	36.0	6.3	5.8	RU2000280
<b>*28.0</b>	<b>38.0</b>	<b>6.3</b>	<b>5.8</b>	<b>RU2300280</b>
<b>*28.0</b>	<b>38.0</b>	<b>8.0</b>	<b>7.0</b>	<b>RU2400280</b>
<b>32.0</b>	<b>42.0</b>	<b>8.0</b>	<b>7.0</b>	<b>RU2100320</b>
36.0	44.0	6.3	5.8	RU2000360
<b>36.0</b>	<b>46.0</b>	<b>8.0</b>	<b>7.3</b>	<b>RU2300360</b>
<b>40.0</b>	<b>50.0</b>	<b>8.0</b>	<b>7.0</b>	<b>RU2500400</b>
45.0	53.0	6.3	5.8	RU2000450
<b>45.0</b>	<b>55.0</b>	<b>6.3</b>	<b>5.7</b>	<b>RU2300450</b>
<b>45.0</b>	<b>55.0</b>	<b>8.0</b>	<b>7.0</b>	<b>RU2500450</b>
<b>50.0</b>	<b>60.0</b>	<b>8.0</b>	<b>7.0</b>	<b>RU2400500</b>
56.0	66.0	7.5	6.5	RU2100560
<b>56.0</b>	<b>71.0</b>	<b>12.5</b>	<b>11.5</b>	<b>RU2200560</b>
<b>63.0</b>	<b>78.0</b>	<b>12.5</b>	<b>11.5</b>	<b>RU2100630</b>
70.0	80.0	7.5	6.5	RU2200700
<b>80.0</b>	<b>95.0</b>	<b>12.5</b>	<b>11.5</b>	<b>RU2100800</b>
90.0	100.0	7.5	6.5	RU2000900
<b>90.0</b>	<b>105.0</b>	<b>12.5</b>	<b>11.4</b>	<b>RU2400900</b>
110.0	125.0	10.5	9.5	RU2001100
<b>110.0</b>	<b>130.0</b>	<b>16.0</b>	<b>15.0</b>	<b>RU2101100</b>
<b>140.0</b>	<b>160.0</b>	<b>16.0</b>	<b>15.0</b>	<b>RU2201400</b>

Dimensions and TSS Part Numbers in bold according to ISO 5597. \* Split groove  
Additional dimensions can be delivered on request.

# Zurcon® U-Cup RU6



---

Single-acting U-Cup

---

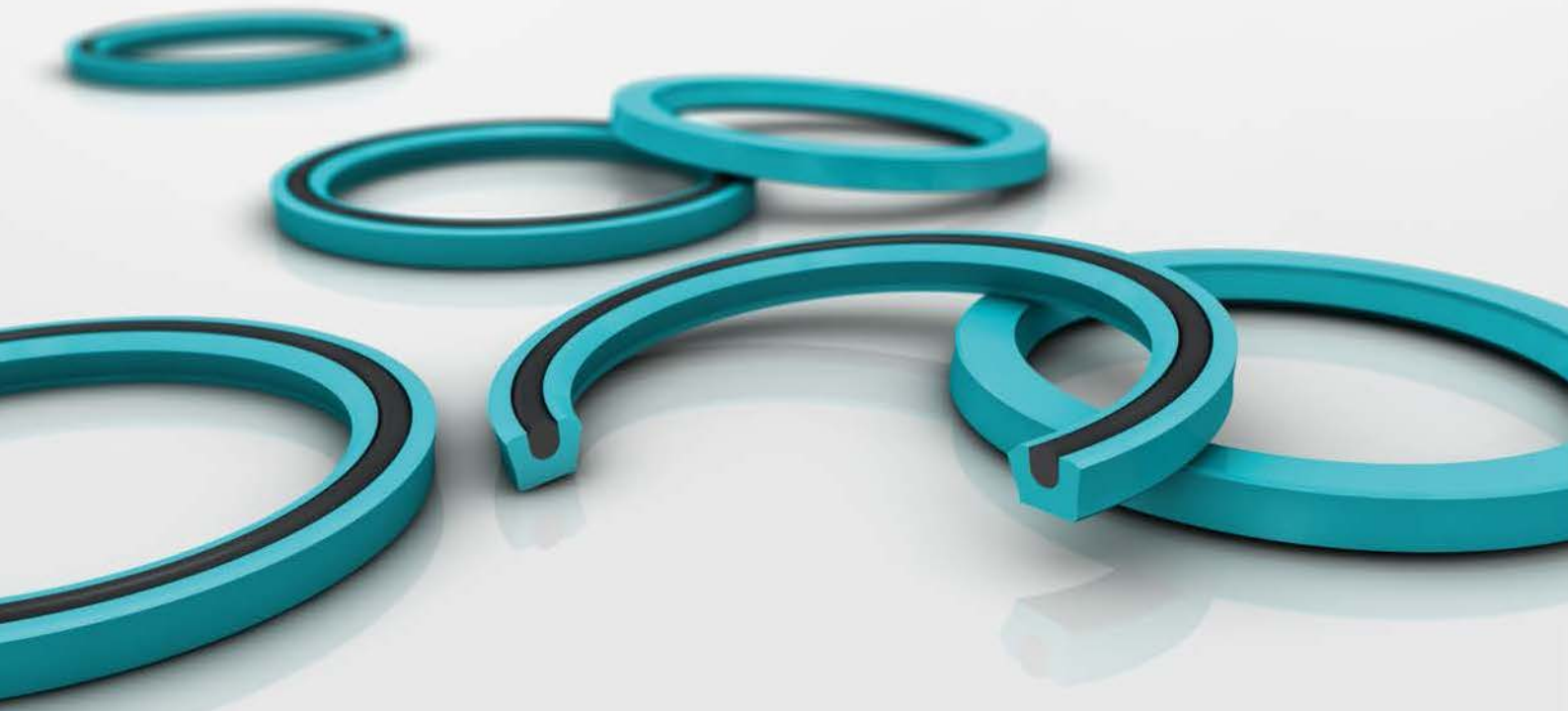
Rubber Energized

---

**Material:**

Zurcon® + NBR

---





---

! This page is intentionally left blank.



## U-Cup RU6



### Description

Additional to the machined seals Stepseal® 2K and Rimseal for housings to ISO 7425/2 (rubber energised plastic seals) the U-Cup type RU6 has been developed as an injection molded seal of polyurethane material to fit in the same ISO housings. The integrated NBR O-Ring (only available for series RU62 - RU64) improves the performance at low pressure and low temperature applications. Polyurethane (Zurcon® Z20) is a proven material for U-cups due to their good mechanical properties.

### TYPE RU6

The U-Cup type RU6 can be installed as a single seal for low to medium duty applications; for sealing systems, the U-Cup RU6 shall be installed mainly as a secondary seal together with the Turcon® Stepseal® 2K as primary seals.

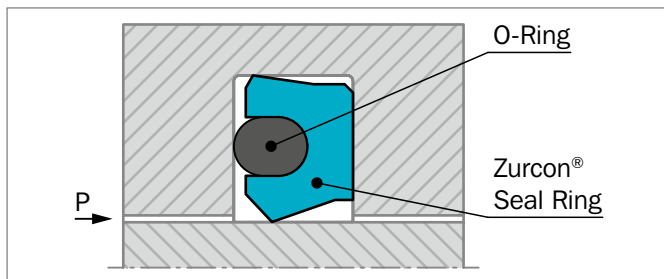


Figure 49: U-Cup, type RU6

### METHOD OF OPERATION

The sealing effect of the U-Cup RU6 comes from the intrinsic preload of the seal body and from the compression of the seal lip and the O-Ring during installation. In operation conditions, the radial contact forces are superimposed by the system pressure.

Due to the special design and the integrated O-Ring the RU6 U-Cups have an excellent sealing behavior with and without pressure activation. The short sealing lip gives better friction values compared to common U-Cups.

### ADVANTAGES

- Very good low pressure sealability
- Simple installation
- Lower friction compared with common U-Cups
- Installation in ISO 7475/2 grooves
- Very low compression set due to O-Ring

### APPLICATION EXAMPLES

- General hydraulic cylinders
- Injection molding machines
- Lift trucks
- Agricultural machines

### OPERATING CONDITIONS

<b>Pressure:</b>	Max. 25 MPa (as single element)
<b>Speed:</b>	Up to 0.5 m/s
<b>Temperature:</b>	Use in mineral oils: -35 °C to +110 °C
<b>Media:</b>	Mineral oil-based hydraulic fluids.

### IMPORTANT NOTE

The above data are maximum values and cannot be used at the same time, e.g. the maximum operating speed depends on material type, pressure, temperature and gap value. Temperature range also depends on media.

### CLEARANCE

Table 34: Radial Clearance U-Cup RU6

Operating Pressure MPa max.	Radial Clearance $S_{max}$
16	0.60
25	0.50

The values for  $S_{max}$  given in this table apply to all types for the low-pressure side of the U-Cup. They are designed for an operating temperature of 60 °C. (for harsh conditions and high side loads the gap must be reduced by 50%)

### MATERIAL

The thermoplastic polyurethane material Zurcon® Z20 has a high abrasion resistance, a low compression set and exhibits a high resistance to clearance extrusion. The integrated O-Ring is an NBR with 70 shore A and a very low compression set.

U-Cup: polyurethane 93 shore A  
material code Z20

O-Ring: NBR 70 Shore A  
material code N

Set code: Z20N

**Table 35: Materials**

Material Code	Material Description	Temp. Range	Application
Zurcon® Z20	High performance Polyurethane 94 Shore A; standard grade for hydraulic	-35 °C to +110 °C	Excellent abrasion and extrusion resistance, minimal swelling in mineral oil, acceptable hydrolysis resistance.



## ■ Installation Recommendation

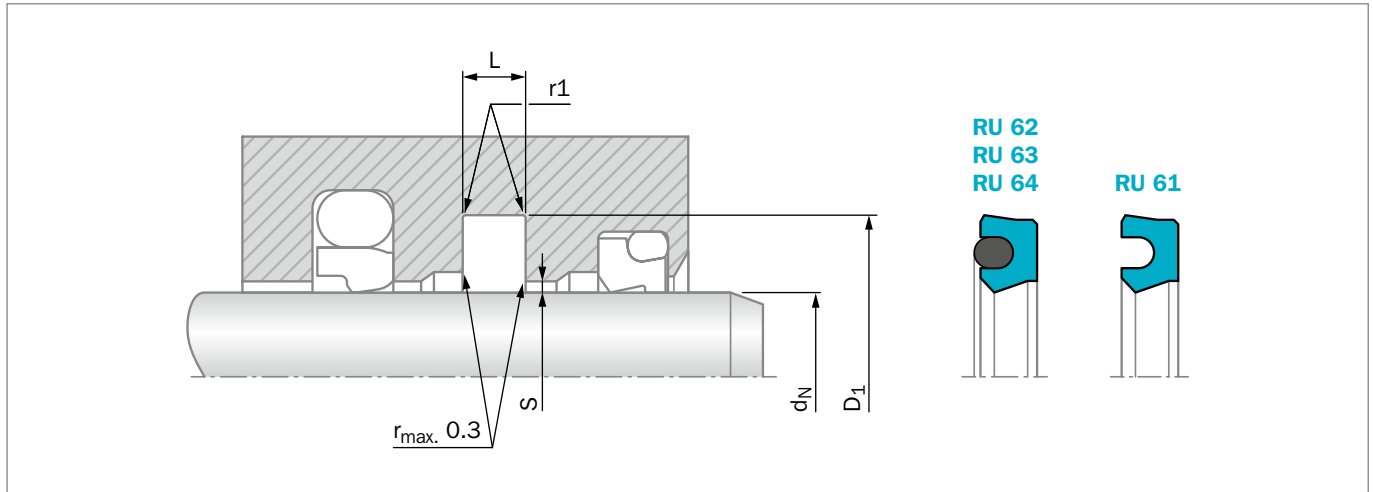


Figure 50: Installation Drawing

### ORDERING EXAMPLE

U-Cup Type RU6

<b>Rod Diameter:</b>	$d_N = 70.0 \text{ mm}$
<b>Groove Diameter:</b>	$D_1 = 85.5 \text{ mm}$
<b>Groove Width:</b>	$L = 6.3 \text{ mm}$
<b>TSS Part No.:</b>	RU6300700 -
<b>Compound code seal:</b>	Z20 turquoise
<b>Compound code O-Ring:</b>	N
<b>Material set code:</b>	Z20N

#### TSS Article No.

	<b>RU63</b>	<b>0</b>	<b>0700</b>	<b>- Z20N</b>
TSS Series No.				
Type (Standard)				
Rod Diameter x 10				
Quality Index (Standard)				
Material Set Code				

Table 36: Installation Dimensions / TSS Part No.

Rod Diameter	Groove Diameter	Groove Width	Radius	TSS Part No.	O-Ring Size
$d_N$ f8/h9	$D_1$ H10	L +0.2	r1		
12.0	19.5	3.2	0.5	RU6100120	-
14.0	21.5	3.2	0.5	RU6100140	-
16.0	23.5	3.2	0.5	RU6100160	-
18.0	25.5	3.2	0.5	RU6100180	-
25.0	32.5	3.2	0.5	RU6100250	-
*28.0	39.0	4.2	0.5	RU6200280	31.42 x 2.62
36.0	47.0	4.2	0.5	RU6200360	39.34 x 2.62
*40.0	51.0	4.2	0.5	RU6200400	44.12 x 2.62
*45.0	56.0	4.2	0.5	RU6200450	48.90 x 2.62
50.0	61.0	4.2	0.5	RU6200500	53.64 x 2.62
55.0	66.0	4.2	0.5	RU6200550	58.42 x 2.62
56.0	71.5	6.3	0.9	RU6300560	59.92 x 3.53



Rod Diameter	Groove Diameter	Groove Width	Radius	TSS Part No.	O-Ring Size
$d_N$ f8/h9	$D_1$ H10	L +0.2	r1		
<b>63.0</b>	<b>74.0</b>	<b>4.2</b>	<b>0.5</b>	<b>RU6200630</b>	<b>66.34 x 2.62</b>
<b>63.0</b>	<b>78.5</b>	<b>6.3</b>	<b>0.9</b>	<b>RU6300630</b>	<b>66.27 x 3.53</b>
<b>70.0</b>	<b>85.5</b>	<b>6.3</b>	<b>0.9</b>	<b>RU6300700</b>	<b>75.79 x 3.53</b>
<b>80.0</b>	<b>95.5</b>	<b>6.3</b>	<b>0.9</b>	<b>RU6300800</b>	<b>85.32 x 3.53</b>
<b>90.0</b>	<b>105.5</b>	<b>6.3</b>	<b>0.9</b>	<b>RU6300900</b>	<b>94.84 x 3.53</b>
<b>100.0</b>	<b>115.5</b>	<b>6.3</b>	<b>0.9</b>	<b>RU6301000</b>	<b>104.37 x 3.53</b>
<b>110.0</b>	<b>125.5</b>	<b>6.3</b>	<b>0.9</b>	<b>RU6301100</b>	<b>113.89 x 3.53</b>
120.0	135.5	6.3	0.9	RU6301200	126.59 x 3.53
150.0	165.5	6.3	0.9	RU6301500	158.34 x 3.53
<b>160.0</b>	<b>175.5</b>	<b>6.3</b>	<b>0.9</b>	<b>RU6301600</b>	<b>164.69 x 3.53</b>
190.0	205.5	6.3	0.9	RU6301900	196.44 x 3.53
<b>200.0</b>	<b>221.0</b>	<b>8.1</b>	<b>0.9</b>	<b>RU6402000</b>	<b>208.92 x 5.33</b>
210.0	231.0	8.1	0.9	RU6402100	221.62 x 5.33
260.0	281.0	8.1	0.9	RU6402600	266.07 x 5.33
300.0	321.0	8.1	0.9	RU6403000	329.57 x 5.33
350.0	371.0	8.1	0.9	RU6403500	354.97 x 5.33

Dimensions in **bold** according to ISO/DIN 7425/2. Is also suitable for Stepseal® groove.

\* Split groove

# Zurcon® U-Cup RU9



---

Single-acting U-Cup

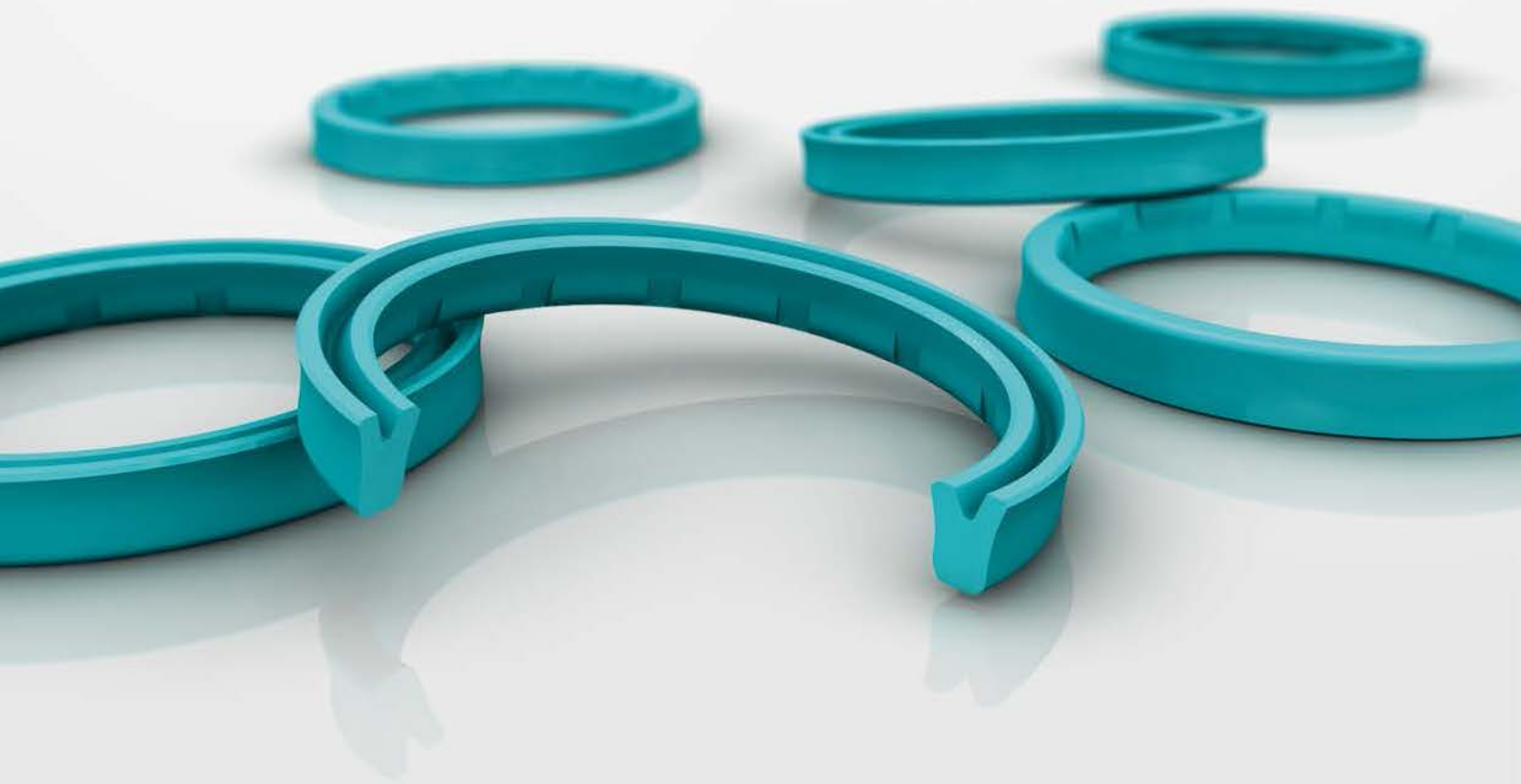
---

New U-Cup Design

---

**Material:**  
Zurcon®

---



---

! This page is intentionally left blank.





## ■ Zurcon® U-Cup RU9\*



### ■ Introduction

Rod seals are particularly exposed to pressure and friction. A long service life is a specific requirement of piston rods. Features such as wear and extrusion resistance, media and temperature compatibility, low friction, compact Installation Dimensions and ease of assembly are also essential and require the introduction of new products and materials. It is against this background that we have developed the Zurcon® U-Cup RU9.

### DESCRIPTION

Due to its special design, behind the dynamic seal lip, the Zurcon® U-Cup RU9 with its structure of slide segments interspersed by back-pumping channels features excellent back-pumping ability across the entire pressure range. The dynamic seal slide segments also have a micro-structure with excellent tribological and sealing characteristics. As well as increasing the sealing ability of the U-Cup RU9, this also ensures a constant lubrication film underneath the seal sliding surface, reducing breakaway force even after prolonged periods of rest and reduces dynamic friction force.

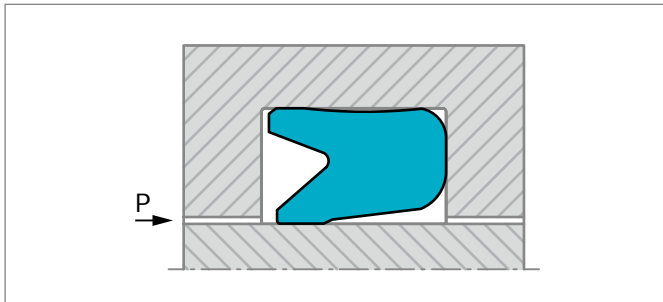


Figure 51: U-Cup, type RU9

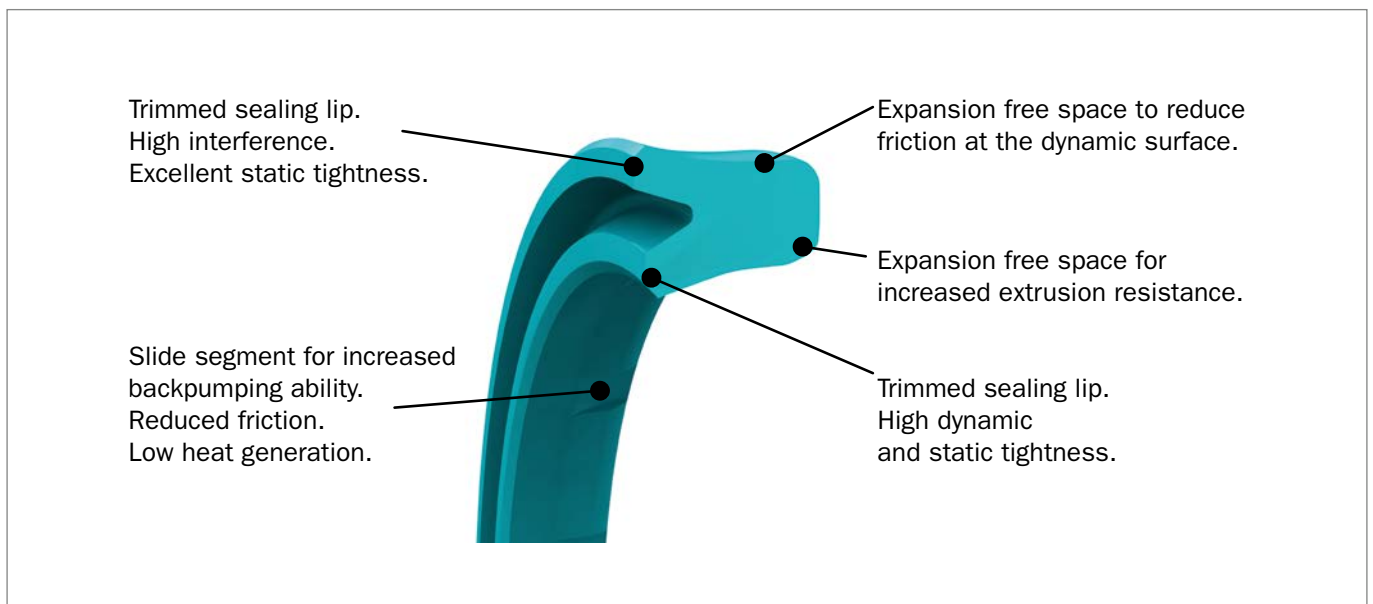


Figure 52: Zurcon® U-Cup RU9 design features

\* Patent application: WO 2004/088182 A1



### FRICITION

The friction force of U-Cups dramatically increases between 2.5 and 10 MPa. The Zurcon® U-Cup RU9 has a unique feature. As the system pressure increases, the contact surface between the U-Cup and the piston rod increases. Once a specific system pressure is reached, the seal deforms to such an extent that its entire friction-generating inside surface gets in contact with the piston rod. Due to the special design of Zurcon® U-Cup RU9 there is improved pressure distribution on the rod. The resulting tribological benefits restrict the increase in friction. When we compare the friction values of conventional U-Cups with those of the Zurcon® U-Cup RU9 the results are self-evident.

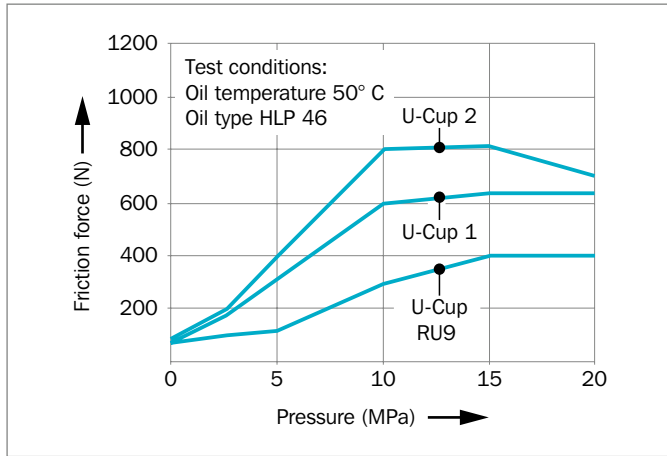


Figure 53: Friction dependent on pressure

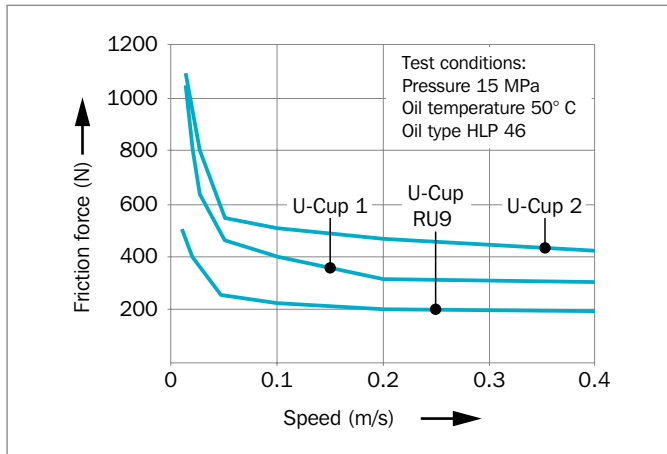


Figure 54: Friction dependent on speed

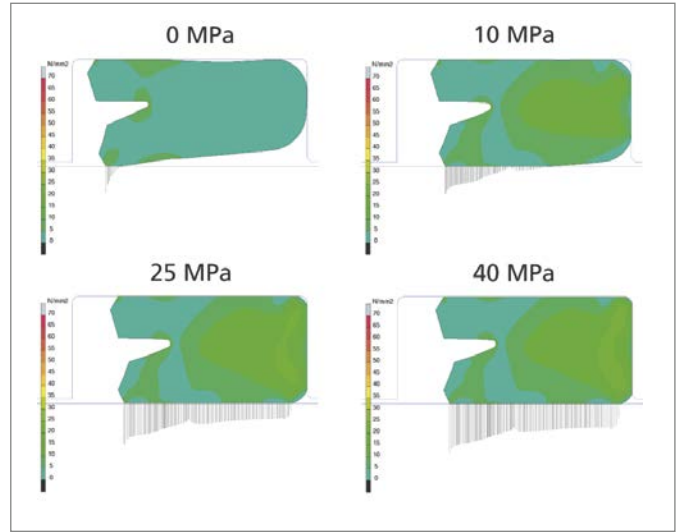


Figure 55: How the Zurcon® U-Cup RU9 performs underpressure

### SEALING PERFORMANCE

The high sealing performance is achieved by:

- Interference fit at the external diameter
- Special shape of both trimmed seal lips
- Controlled pressure distribution and hydrodynamic backpumping ability over a wide pressure range

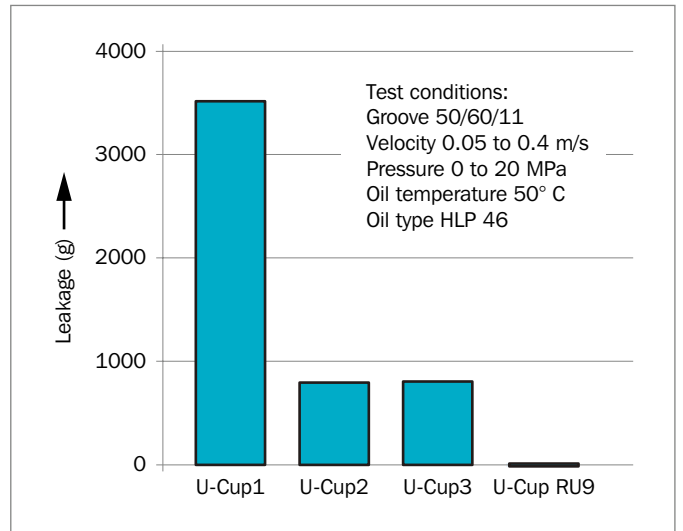


Figure 56: Leakage performance dependent on U-Cup type



## RADIAL CLEARANCE

The new Zurcon® RU9 design combined with the special compound properties shows a better extrusion resistance compared to standard U-Cup under all working conditions. The hardware clearance can be increased significantly.

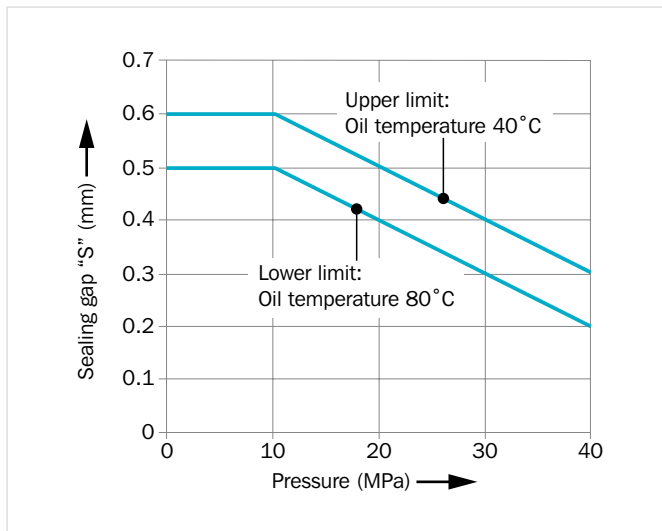


Figure 57: Radial clearance "S" as function of pressure

## ADVANTAGES

- Lower friction than standard U-Cups
- Lower heat generation than standard U-Cups
- High extrusion resistance
- Excellent dynamic and static sealing
- Optimum environment protection
- Back pumping ability over the entire pressure range achieved by grooved profile
- Suitable with the Zurcon® Buffer Seal as secondary seal in "tandem design"
- Suitable for sealing systems with double scraper
- Seal stability within the groove

## APPLICATION EXAMPLES

Zurcon® U-Cup RU9 can be used in all applications in which previously a conventional U-Cup was applied, such as:

- Hydraulic cylinders
- Construction machinery
- Fork lifts
- Truck cranes
- Telescopic cylinders
- Agricultural machines
- Machine tools
- Injection molding machines
- Hydraulic presses
- Gas spring

In medium/heavy duty applications the preferred solution for tandem rod sealing systems is the combination with the Zurcon® Buffer Seal primary seal and Zurcon® U-Cup RU9 in conjunction with a double acting scraper.

## MATERIALS

Zurcon® Z20 Standard polyurethane 93 Shore A  
 Temperature: -35 °C to +110 °C  
 Color: Turquoise

Zurcon® Z22 Premium polyurethane 93 Shore A  
 Temperature: -50 °C to +110 °C  
 Color: Dark petrol

Zurcon® Z25 Premium polyurethane 93 Shore A  
 Temperature: -35 °C to +130 °C  
 Color: Black

The Zurcon® polyurethane has high abrasion resistance, a low compression set, high extrusion resistance and a wide temperature range.

**OPERATING CONDITIONS**

<b>Pressure:</b>	Up to 40 MPa
<b>Velocity:</b>	Up to 0.5 m/s
<b>Temperature:</b>	
Zurcon® Z20 Standard:	-35 °C to +110 °C
<b>Media:</b>	
Hydraulic fluids based on mineral oil:	-35 °C to +110 °C
Synthetic and natural ester HEES, HETG:	Up to +60 °C
Flame-retardant hydraulic fluids HFA/HFB:	Up to +40 °C

**IMPORTANT NOTE**

The above stated limits for pressure and speed are maximum values individually. Friction heat generated by the combination of pressure and speed may cause local heat built-up. Care should be taken not to apply high values for pressure and speed at the same time.

**Table 37: Materials**

Material Code	Material Description	Temperature Range	Application
<b>Zurcon® Z20</b>	High performance Polyurethane 94 Shore A; standard grade for hydraulic	-35 °C to +110 °C	Excellent abrasion and extrusion resistance, minimal swelling in mineral oil, acceptable hydrolysis resistance.
<b>Zurcon® Z22</b>	High performance Polyurethane 93 Shore A; Premium grade for low temperature	-50 °C to +110 °C	Wide range of working temperatures with very good compression set performance at very low temperature. Excellent balance between swelling in mineral oil and hydrolysis resistance.
<b>Zurcon® Z25</b>	High performance Polyurethane 95 Shore A; Premium grade for high temperature	-35 °C to +130 °C	Wide range of working temperatures with excellent mechanical properties at high temperature. Products: Ideal for use in heavy duty cylinder and cylinders exposed to high-temperature painting processes.



## ■ Installation Recommendation

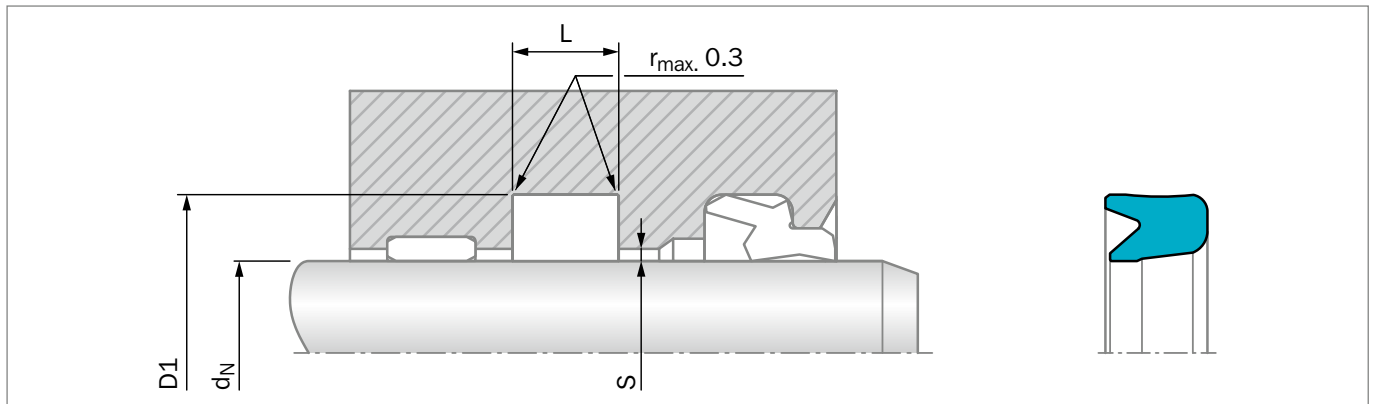


Figure 58: Installation Drawing, Dimension "S" see Figure 57

### ORDERING EXAMPLE (METRIC)

Zurcon® U-Cup Type RU9

<b>Rod Diameter:</b>	$d_N = 20.0$ mm
<b>Groove Diameter:</b>	$D1 = 28.0$ mm
<b>Groove Width:</b>	$L = 6.3$ mm
<b>TSS Part No.:</b>	RU9000200 -

#### TSS Article No.

	<b>RU90</b>	<b>0</b>	<b>0200</b>	<b>- Z20</b>
TSS Series No.	RU90	0	0200	Z20
Type (Standard)				
Rod Diameter x 10				
Quality Index (Standard)				
Material Code				

### MATERIAL

Standard Zurcon® :	Z20
Special polyurethane:	93 Shore A
Color:	Turquoise

Table 38: Preferred Series / TSS Article No.

Rod Diameter	Groove Diameter	Groove Width	TSS Part No.
$d_N$	$D1$	$L$	
f8/h9	H10	+0.25	
*6.0	14.0	6.3	RU9000060
<b>*8.0</b>	<b>16.0</b>	<b>6.3</b>	<b>RU9000080</b>
12.0	19.0	6.0	RU9000120
15.0	20.0	5.0	RU9000150
*15.0	23.0	6.3	RU9100150
*16.0	22.0	6.0	RU9100160
*16.0	24.0	6.0	RU9200160
<b>*16.0</b>	<b>24.0</b>	<b>6.3</b>	<b>RU9000160</b>
18.0	25.0	5.3	RU9100180
<b>*18.0</b>	<b>26.0</b>	<b>6.3</b>	<b>RU9000180</b>
20.0	26.0	6.0	RU9100200
<b>*22.0</b>	<b>30.0</b>	<b>6.3</b>	<b>RU9100220</b>



Rod Diameter	Groove Diameter	Groove Width	TSS Part No.
$d_N$ f8/h9	D1 H10	L +0.25	
<b>*20.0</b>	<b>28.0</b>	<b>5.0</b>	<b>RU9300200</b>
<b>*20.0</b>	<b>30.0</b>	<b>8.0</b>	<b>RU9200200</b>
<b>*20.0</b>	<b>28.0</b>	<b>6.3</b>	<b>RU9000200</b>
22.0	29.0	5.6	RU9200220
<b>*22.0</b>	<b>30.0</b>	<b>6.3</b>	<b>RU9000220</b>
25.0	31.0	6.3	RU9100250
<b>25.0</b>	<b>33.0</b>	<b>6.3</b>	<b>RU9000250</b>
<b>28.0</b>	<b>36.0</b>	<b>6.3</b>	<b>RU9000280</b>
<b>*28.0</b>	<b>38.0</b>	<b>8.0</b>	<b>RU9100280</b>
30.0	38.0	9.0	RU9100300
30.0	40.0	7.5	RU9200300
30.0	40.0	11.0	RU9000300
32.0	40.0	6.3	RU9200320
32.0	40.0	9.0	RU9100320
<b>32.0</b>	<b>42.0</b>	<b>8.0</b>	<b>RU9000320</b>
35.0	42.0	8.0	RU9100350
<b>35.0</b>	<b>45.0</b>	<b>8.0</b>	<b>RU9000350</b>
<b>36.0</b>	<b>44.0</b>	<b>6.3</b>	<b>RU9100360</b>
36.0	44.0	9.0	RU9000360
<b>36.0</b>	<b>46.0</b>	<b>8.0</b>	<b>RU9200360</b>
<b>40.0</b>	<b>50.0</b>	<b>8.0</b>	<b>RU9000400</b>
*45.0	53.0	8.5	RU9200450
<b>45.0</b>	<b>55.0</b>	<b>6.3</b>	<b>RU9100450</b>
<b>45.0</b>	<b>55.0</b>	<b>8.0</b>	<b>RU9000450</b>
<b>50.0</b>	<b>60.0</b>	<b>8.0</b>	<b>RU9000500</b>
50.0	60.0	11.0	RU9200500
<b>50.0</b>	<b>65.0</b>	<b>12.5</b>	<b>RU9100500</b>
55.0	65.0	8.0	RU9000550
56.0	68.0	11.0	RU9100560
<b>56.0</b>	<b>71.0</b>	<b>12.5</b>	<b>RU9000560</b>
60.0	68.0	7.0	RU9100600
60.0	70.0	8.0	RU9200600
<b>60.0</b>	<b>75.0</b>	<b>12.5</b>	<b>RU9000600</b>
63.0	75.0	13.0	RU9100630
<b>63.0</b>	<b>78.0</b>	<b>12.5</b>	<b>RU9000630</b>
65.0	75.0	8.0	RU9000650
65.0	85.0	12.5	RU9100650
70.0	82.0	9.6	RU9200700
<b>70.0</b>	<b>85.0</b>	<b>12.5</b>	<b>RU9000700</b>
75.0	83.0	7.0	RU9000750
80.0	93.0	12.5	RU9300800
80.0	95.0	10.0	RU9200800



Rod Diameter	Groove Diameter	Groove Width	TSS Part No.
$d_N$ f8/h9	D1 H10	L +0.25	
<b>80.0</b>	<b>95.0</b>	<b>12.5</b>	<b>RU9100800</b>
80.0	100.0	12.5	RU9000800
85.0	100.0	10.0	RU9200850
85.0	100.0	12.5	RU9100850
90.0	100.0	7.5	RU9100900
90.0	102.0	9.6	RU9200900
<b>90.0</b>	<b>105.0</b>	<b>12.5</b>	<b>RU9000900</b>
95.0	110.0	10.0	RU9200950
95.0	110.0	12.5	RU9100950
95.0	115.0	13.0	RU9000950
100.0	108.0	12.0	RU9101000
100.0	115.0	13.0	RU9201000
<b>100.0</b>	<b>120.0</b>	<b>16.0</b>	<b>RU9001000</b>
105.0	120.0	12.5	RU9001050
110.0	120.0	11.0	RU9101100
110.0	125.0	12.0	RU9301100
110.0	125.0	12.5	RU9201100
<b>110.0</b>	<b>130.0</b>	<b>16.0</b>	<b>RU9001100</b>
115.0	125.0	11.0	RU9001150
120.0	135.0	12.5	RU9001200
<b>125.0</b>	<b>145.0</b>	<b>16.0</b>	<b>RU9001250</b>
130.0	140.0	7.5	RU9001300
130.0	145.0	13.0	RU9101300
<b>140.0</b>	<b>160.0</b>	<b>16.0</b>	<b>RU9001400</b>

Dimensions and TSS Part Numbers in bold according to ISO 5597. \* splitted groove



---

! This page is intentionally left blank.

# Zurcon® Buffer Seal LM



---

Single-acting

---

Designed for Lubrication Management  
Technology

---

Integrated Back-Up Ring

---

**Material:**  
Zurcon®

---



---

! This page is intentionally left blank.



## Zurcon® Buffer Seal LM\*



### Introduction

In heavy-duty applications, leak-free performance and long service life cannot be assured by a single sealing element; therefore, specially developed system seals are arranged in series, building a tandem configuration.

Each sealing element in a system has its specific function, and their interaction needs to be secured to incorporate redundancy into the sealing system. The primary seal, manufactured from Zurcon® material, has excellent wear and extrusion resistance under extreme working conditions. It allows an optimized lubrication film to pass this first barrier, ensuring the necessary lubrication of the secondary sealing element for long service life.

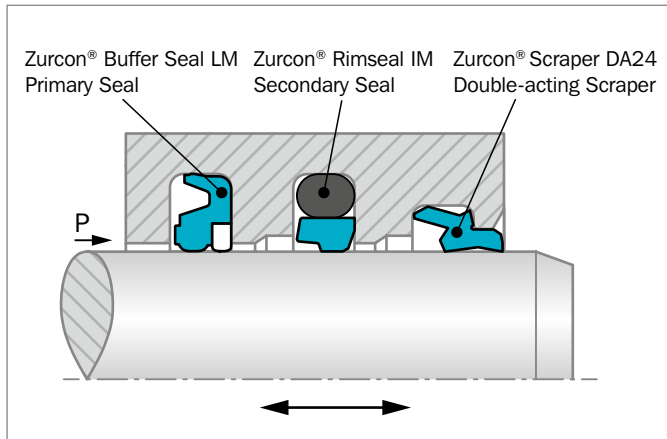


Figure 59: Zurcon® Buffer Seal LM in tandem configuration

In order to further optimize the performance, friction and service life of sealing systems using a tandem sealing configuration, Trelleborg Sealing Solutions developed the already known and appreciated capabilities of Zurcon® Buffer Seal into a new design called Zurcon® Buffer Seal LM.

### DESCRIPTION

The single-acting Zurcon® Buffer Seal LM is designed as a heavy-duty primary rod seal. The design of the product incorporates a combination of a Zurcon® sealing ring with a Back-up Ring. By utilizing two materials, the performance of the product is enhanced and life is extended.

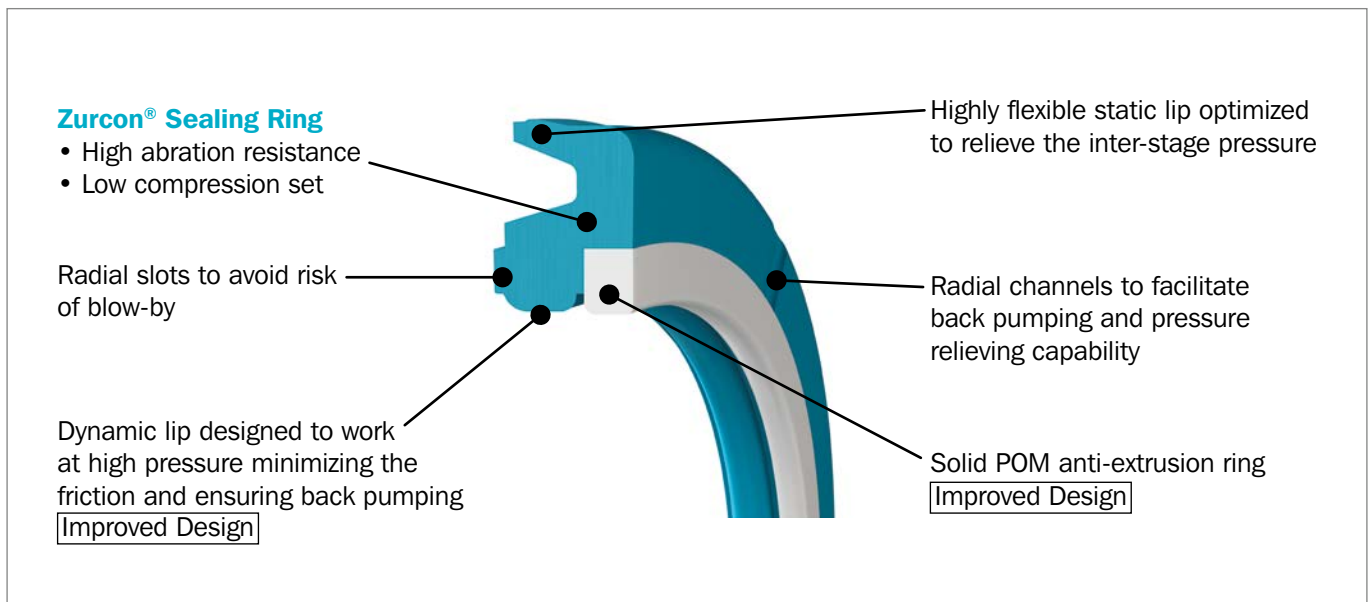


Figure 60: Zurcon® Buffer Seal LM design features

\* Patent application: WO 2016/113414 A1



### LUBRICATION MANAGEMENT FEATURE

This innovative design incorporates large radius rounded edges on both seal ring and Back-up Ring that lower the contact pressure, allowing a thicker amount of fluid to lubricate and better activate the secondary seal.

By means of this, friction and wear on the lips are reduced significantly, therefore increasing life time and reliability, as well as rod wear.

This engineered wet running creates the right environment to enhance the Zurcon® PU sealing system. New generation secondary seals like RU9, L-Cup and Rimseal IM can manage the larger oil film in the best way, compensating for pressure from oil accumulation, as well as returning oil to the main pressure chamber due to excellent back pumping behavior under all pressure ranges.

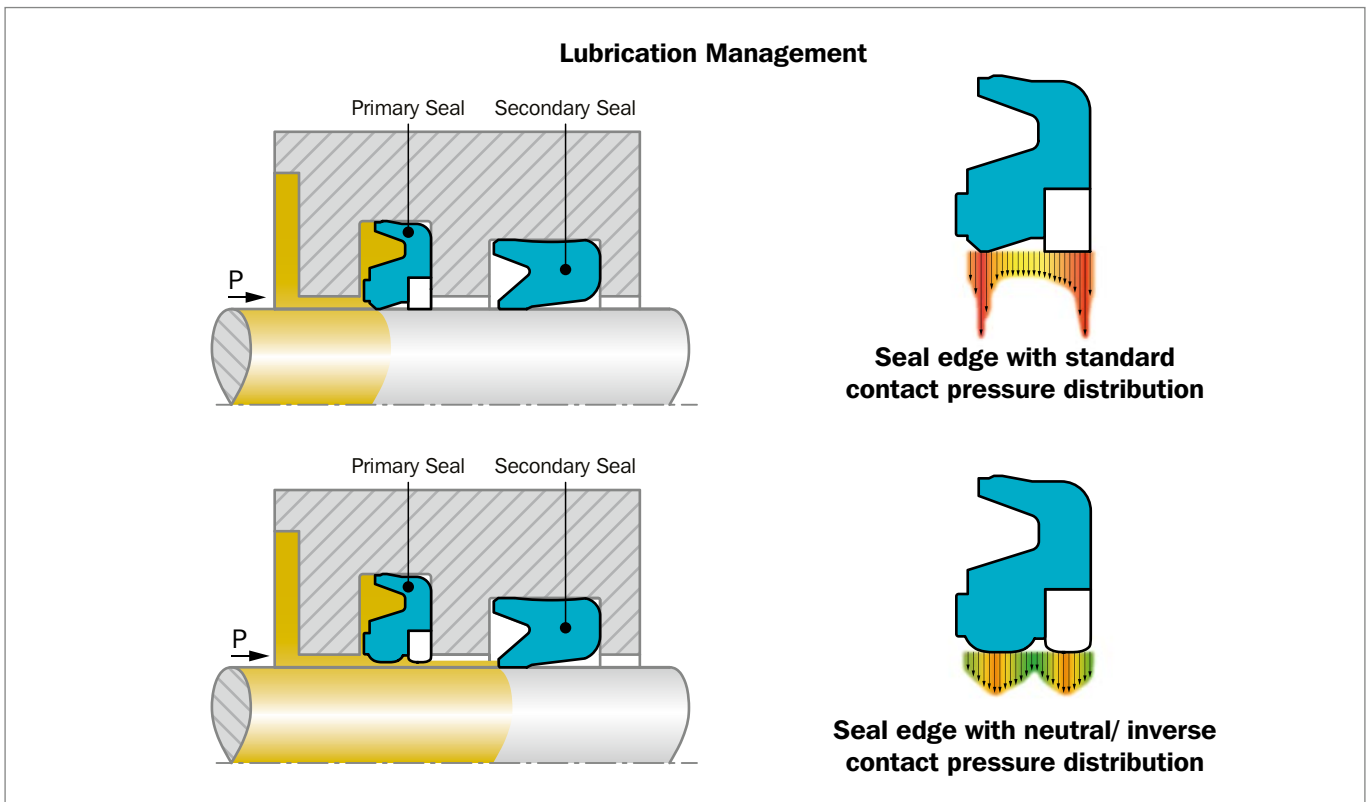


Figure 61: Pressure distribution and function of a standard (top) and a LM (bottom) sealing system



## PRESSURE RELIEF

The relief mechanism is activated by the special seal design, through its thin, short and flexible static lip. The radial channels on the back side offer the fluid a direct stream up to both lips. A minimum difference between the pressure trapped and the pressure in the chamber is able to deflect the seal and recover the same pressure level.

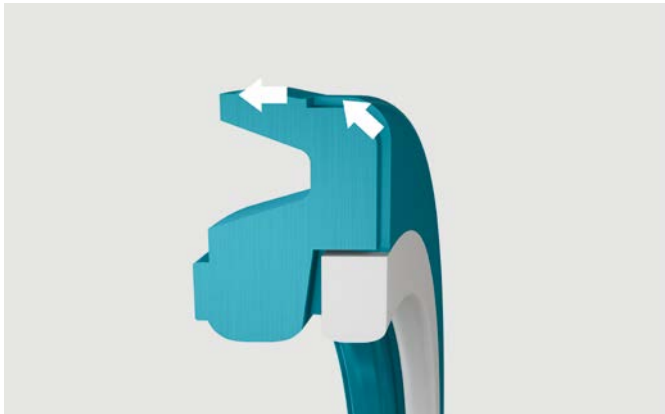


Figure 62: Venting path

Zurcon® Buffer Seal LM is able to guarantee an optimal pressure distribution and sufficient rod lubrication across the entire pressure range.

In unpressurized conditions, head-on slots on the dynamic lip assure correct positioning and avoid any risk of blow-by. When installed, Zurcon® Buffer Seal LM is ready for fast activation, protecting the secondary seal from peaks in pressure.

## ADVANTAGES

- Resistance to very high pressure peaks due to an integrated Back-up Ring that closes the radial gap
- Outstanding pressure relief
- Excellent back-pumping guaranteed over the entire pressure range
- Suitable to use both in ISO 7425/2 standard grooves and in Stepseal® grooves
- High performance Zurcon® material with an excellent abrasion resistance and low compression set

## APPLICATION EXAMPLES

Medium and heavy-duty applications:

- Construction machinery
- Earth moving equipment
- Mobile hydraulics
- Fork lifts

## MATERIALS - STANDARD APPLICATION

For hydraulic components in mineral oils or media with good lubricating performance.

Seal Ring: Zurcon® Z20

Back-up Ring: Polyacetal resin (POM)

Set reference: Z2054

Zurcon® polyurethane has high abrasion resistance, a low compression set, high extrusion resistance and a wide temperature range.

## OPERATING CONDITIONS

<b>Pressure:</b>	Up to 40 MPa
	Up to 60 MPa peak
<b>Velocity:</b>	Up to 1 m/s
<b>Temperature:</b>	-35 °C to +110 °C*
<b>Media:</b>	
Mineral oil:	Up to 110 °C
Synthetic and natural esters HEES, HETG:	Up to +60 °C
Flame retardant fluids HFA/HFB:	Up to +40 °C

## IMPORTANT NOTE

The above data are maximum values and cannot be used at the same time, e.g. the maximum operating speed depends on material type, pressure, temperature and gap value.

Temperature range also depends on media.

\* in the case of unpressurized applications in temperatures below 0 °C please contact your local Customer Solution Center for more information!



## Installation Recommendation

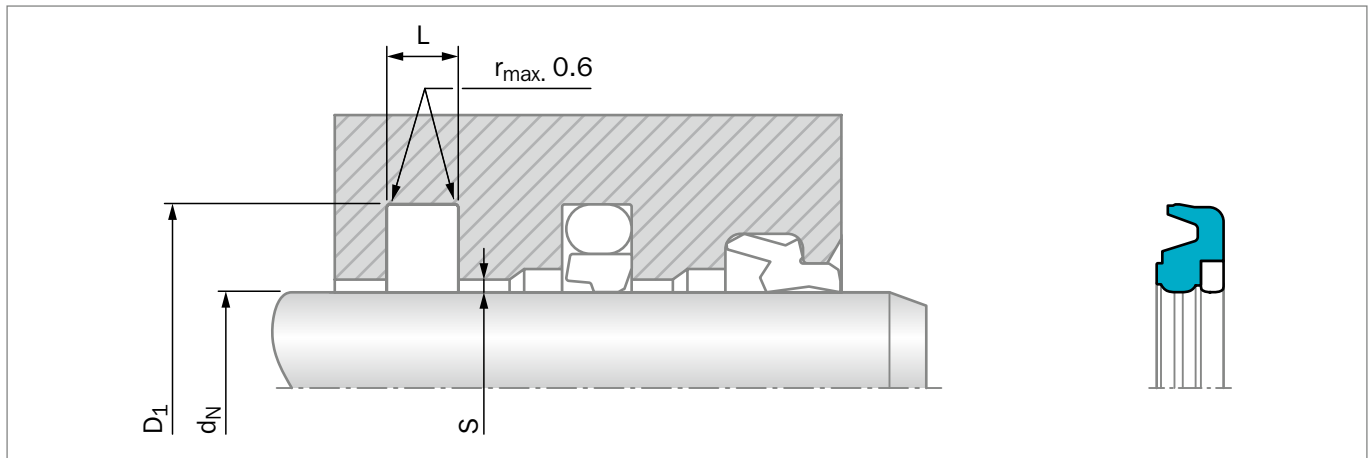


Figure 63: Installation Drawing

### ORDERING EXAMPLE

Zurcon® Buffer Seal LM Type RUKC

<b>Rod Diameter:</b>	$d_N = 63.0 \text{ mm}$
<b>Groove Diameter:</b>	$D_1 = 78.5 \text{ mm}$
<b>Groove Width:</b>	$L = 6.3 \text{ mm}$
<b>TSS Part No.:</b>	RUKCB0630 -

<b>TSS Article No.</b>	<b>RUKC</b>	<b>B</b>	<b>0630</b>	<b>-</b>	<b>Z2054</b>
TSS Series No.					
Type (Standard)					
Rod diameter x 10					
Quality Index (Standard)					
Material Code (Seal Ring)					

Table 39: Installation Dimensions / TSS Article No.

Rod Diameter $d_N$ f8/h9	Groove Diameter $D_1$ H9	Groove Width $L +0.25$	Radial Clearance $S_{max}$	TSS Article No.
<b>50.0</b>	<b>65.5</b>	<b>6.3</b>	<b>0.4</b>	<b>RUKCB0500-Z2054</b>
60.0	75.5	6.3	0.4	RUKCB0600-Z2054
65.0	80.5	6.3	0.4	RUKCB0650-Z2054
<b>70.0</b>	<b>85.5</b>	<b>6.3</b>	<b>0.4</b>	<b>RUKCB0700-Z2054</b>
75.0	90.5	6.3	0.4	RUKCB0750-Z2054
<b>80.0</b>	<b>95.5</b>	<b>6.3</b>	<b>0.4</b>	<b>RUKCB0800-Z2054</b>
85.0	100.5	6.3	0.4	RUKCB0850-Z2054
<b>90.0</b>	<b>105.5</b>	<b>6.3</b>	<b>0.4</b>	<b>RUKCB0900-Z2054</b>
<b>95.0</b>	<b>110.5</b>	<b>6.3</b>	<b>0.4</b>	<b>RUKCB0950-Z2054</b>
<b>100.0</b>	<b>115.5</b>	<b>6.3</b>	<b>0.4</b>	<b>RUKCB1000-Z2054</b>
105.0	120.5	6.3	0.4	RUKCB1050-Z2054
<b>110.0</b>	<b>125.5</b>	<b>6.3</b>	<b>0.4</b>	<b>RUKCB1100-Z2054</b>
115.0	130.5	6.3	0.4	RUKCB1150-Z2054
120.0	135.5	6.3	0.4	RUKCB1200-Z2054
<b>125.0</b>	<b>140.5</b>	<b>6.3</b>	<b>0.4</b>	<b>RUKCB1250-Z2054</b>
<b>140.0</b>	<b>155.5</b>	<b>6.3</b>	<b>0.4</b>	<b>RUKCB1400-Z2054</b>
150.0	165.5	6.3	0.4	RUKCB1500-Z2054

All dimensions in **bold** type are in accordance with the recommendation of ISO 7425/2. Suitable also in Stepseal groove.



# Turcon® Variseal® M2



---

Single-acting

---

Spring Energized Plastic U-Cup

---

**Material:**

Turcon® and Zurcon®

---



---

! This page is intentionally left blank.



## Turcon® Variseal® M2



### Description

Turcon® Variseal® M2 is a single acting seal consisting of a U-shaped jacket and a V-shaped corrosion resistant spring. Variseal® M2 has an asymmetric seal profile. The optimized front angle offers good leakage control, reduced friction and long service life.

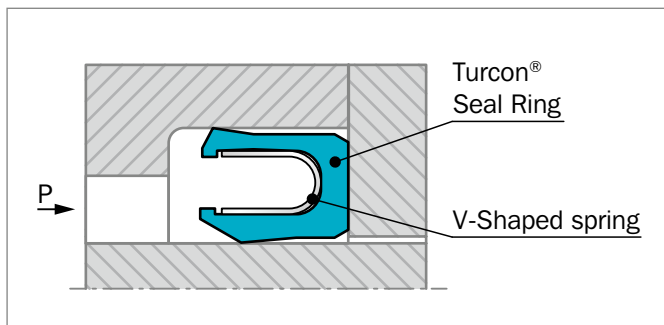


Figure 64: Turcon® Variseal® M2

### AREAS OF APPLICATION

- Hydraulic components, e.g. cylinders, valves, pumps, etc.
- Chemical processing equipment
- Pharmaceutical processing
- Food and beverage processing
- Spindle seals for machine tools
- Pneumatics, cylinders and valves

### ADVANTAGES

- Suitable for reciprocating and rotary applications
- Low coefficient of friction
- Stick-slip free operating
- High abrasion resistance
- Dimensionally stable
- Resistant to most fluids, chemicals and gases
- Withstands rapid changes in temperature
- No vulcanizing between seal and hardware
- Excellent resistance to aging
- Can be sterilized
- Available in HiClean version
- Interchangeable with O-Ring and Back-up Ring combinations to AS4716 and ISO 6194

### OPERATING CONDITIONS

<b>Pressure:</b>	Maximum dynamic load: 20 MPa Maximum static load: 40 MPa (207 MPa with back-up ring)
<b>Speed:</b>	Reciprocating up to 15 m/s Rotating up to 1.27 m/s
<b>Operating temperature:</b>	-70 °C to +300 °C Special Turcon and Zurcon® materials as well as alternative spring materials are available for applications outside this temperature range.
<b>Media compatibility:</b>	Virtually all fluids, chemicals and gases

### IMPORTANT NOTE

The above data are maximum values and cannot be used at the same time. e.g. the maximum operating speed depends on material type, pressure, temperature and gap value. Temperature range also dependent on media.



## GENERAL

Turcon® Variseal® are single acting, spring-energized seals which are used for dynamic and static applications.

Variseal® are effective in a wide range of applications. They are chosen when higher resistance to chemical media is required, if the seal is required to operate in extremes of temperature and/or where good extrusion and compression characteristics are needed.

Turcon® Variseal® designs have three main characteristics:

- Application specific U-shaped seal profile
- Spring geometry suited to the particular application
- Proven high-performance Turcon® or Zurcon® polymers

Standard or custom geometries available in metric, inch and intermediate sizes ranging from 2 to 3,300 mm.

## METHOD OF OPERATION

All Variseal® designs included in this catalog have the same operating principle and differ only in their profile form and type of metallic spring used.

The Variseal® spring supplies the load required for sealing at low pressures (Figure 65). The "U" shaped jacket allows fluid pressure to energize the sealing lips, so total sealing pressure rises with increasing operating pressure (Figure 66).

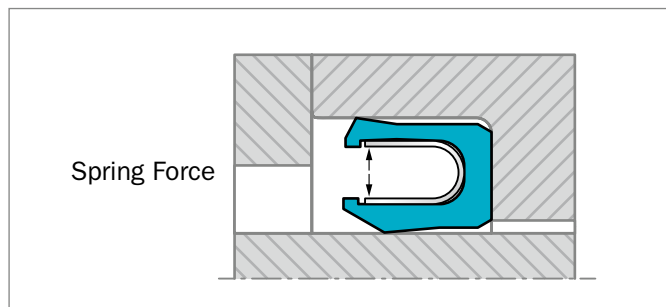


Figure 65: Turcon® Variseal® without system pressure

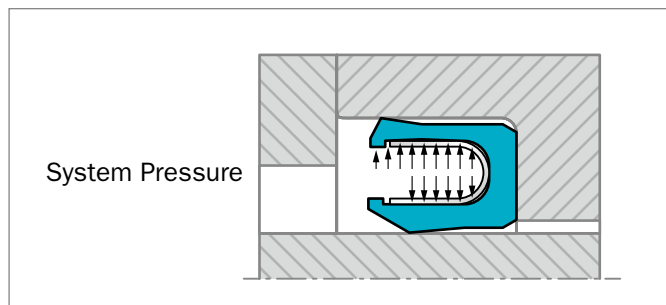


Figure 66: Turcon® Variseal® with system pressure

## PERFORMANCE

The different types of Variseal® designs combined with the properties of Turcon® and Zurcon® materials offer design engineers a wide range of solutions to a large number of applications.

The most important characteristics of Variseal® designs are listed below:

- Very low coefficient of friction
- Good dynamic and static sealing
- Capable of sealing at high speeds up to 15 m/s
- Almost universal chemical compatibility
- Operating temperature of -253 °C up to +300 °C
- Very good thermal resistance
- Properties unaffected by contact with chemicals
- Good aging characteristics
- Low compression set
- Capable of withstanding high pressures above 200 MPa (2,000 bar / 29,000 psi) when using Back-up Rings
- Very good dry-running properties
- Can be installed in grooves according to AS4716 (Mil-G-5514 is an old spec) and DIN 3771



## MATERIALS

All materials used are physiologically safe. They contain no odor or taste-affecting substances.

The following material combination has proved effective for most fluid applications:

Seal ring: Turcon® T40

Spring: Stainless Steel Material No. AISI 301  
Code S

For gas application use:

Seal ring: Turcon® T05/Zurcon® Z80

For use in accordance with the demands of the "Food and Drug Administration", suitable materials are available on request.

**Table 40: Turcon® and Zurcon® Materials for Variseal® M2**

Material Code	Material Description	Operating Temp. * °C	Mating Surface Material	MPa max.
<b>Turcon® T05</b>	Premium grade modified PTFE. Light duty material with greater wear resistance than Turcon T01. Reciprocating and slow rotary applications. Color: Turquoise	-200 to + 260	Steel Steel, chromeplated Cast iron Stainless steel Aluminum Bronze Alloys	20
<b>Turcon® T40</b>	High-grade formulation of virgin polytetrafluoroethylene (PTFE) based material compounded with carbon fiber additive. Excellent wear and low friction characteristics. Suited to reciprocating and rotary applications. Suitable for use in media with poor lubricating properties and for dry-running situations. Color: Black / gray	-60 to + 300	Steel, hardened Steel, chromeplated	40
<b>Zurcon® Z80</b>	UHMW Polyethylene. Excellent wear and abrasion resistance. Very good lubricity in water based media. Color: Translucent white	-253 to + 80	Steel Steel, chromeplated Stainless steel Aluminum Bronze Ceramic coating	40

\* Depending on media.  
 Highlighted material is standard.

**Spring Materials**

The standard spring material for Turcon® Variseal® is stainless steel (spring code S).

**Table 41: Spring Material**

Media	Spring materials	Spring order code
<b>For General use e.g.</b> Oil Grease Air Water, steam Solvents Food, drugs Gas	<b>Stainless steel</b> DIN Mat No. 1.4310/1.4319 AISI 301/302 UNS 30100	S (Standard spring material)
<b>For use in corrosive media e.g.</b> Acids Caustics Seawater	<b>Hastelloy® C-276</b> DIN Mat No. 2.4819 UNS N10276	H
<b>For petrochemical use e.g.</b> Crude oil Sour gas	<b>Elgiloy® 1)</b> DIN Mat No. 2.4711 UNSR30003	E

\* Hastelloy is a registered trademark of Haynes International, Inc.

\* Elgiloy is a registered trademark of the Elgiloy Specialty Metals  
Alternative brand may be used.

1) NACE-approval



## ■ Groove Design

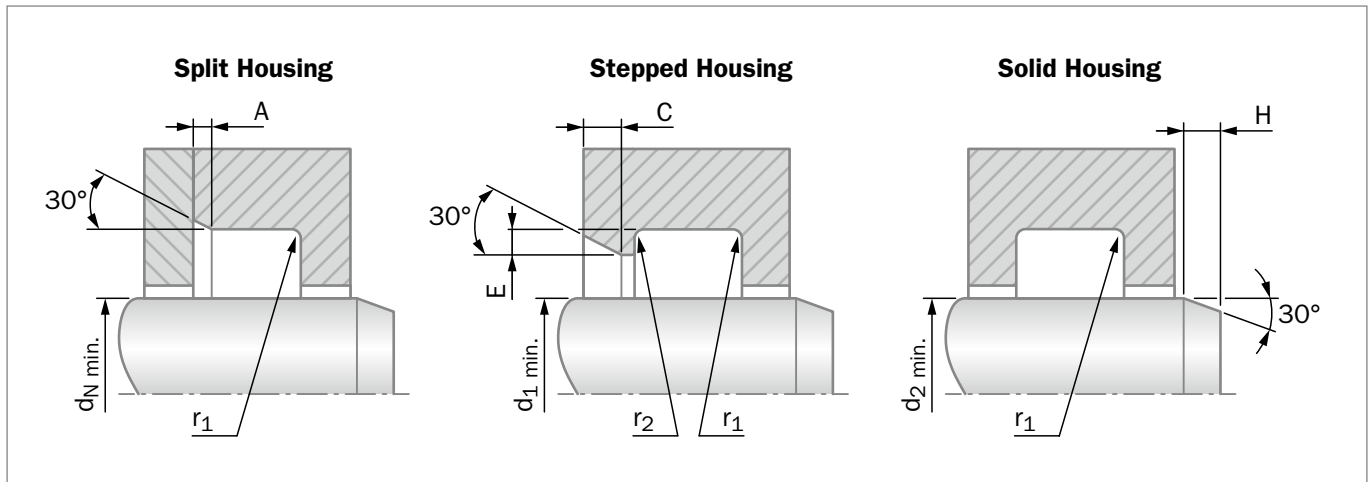


Figure 67: Variseal Groove Configurations

Installation lead-in chamfers and steps to include blend radii and are to be polished.

**Table 42: Dimensions for Groove Designs**

Series	Rod / Piston Groove Dimensions					
	A Chamfer	r <sub>1</sub> Maximum Radius	C Minimum Chamfer	r <sub>2</sub> Maximum Radius	E Minimum Step Height	H Minimum Chamfer
000	0.25 / 0.38	0.25	0.70	0.13	0.40	1.20
100	0.38 / 0.51	0.38	1.10	0.13	0.60	1.50
200	0.38 / 0.51	0.38	1.25	0.18	0.70	2.50
300	0.51 / 0.69	0.38	1.40	0.25	0.80	4.50
400	0.51 / 0.69	0.51	1.60	0.25	0.90	6.00
500	0.76 / 1.02	0.51	2.60	0.38	1.50	11.00

**Table 43: Groove Design for Rod**

Series	Rod Diameter Recommendations		
	Split Groove Ø d <sub>N</sub> Minimum	Stepped Groove Ø d <sub>1</sub> Minimum	Solid Groove Ø d <sub>2</sub> Minimum
000	3.00	20.00	31.75
100	6.00	30.00	69.85
200	10.00	35.00	111.13
300	20.00	40.00	298.45
400	35.00	45.00	495.30
500	80.00	80.00	762.00





## Installation Recommendation

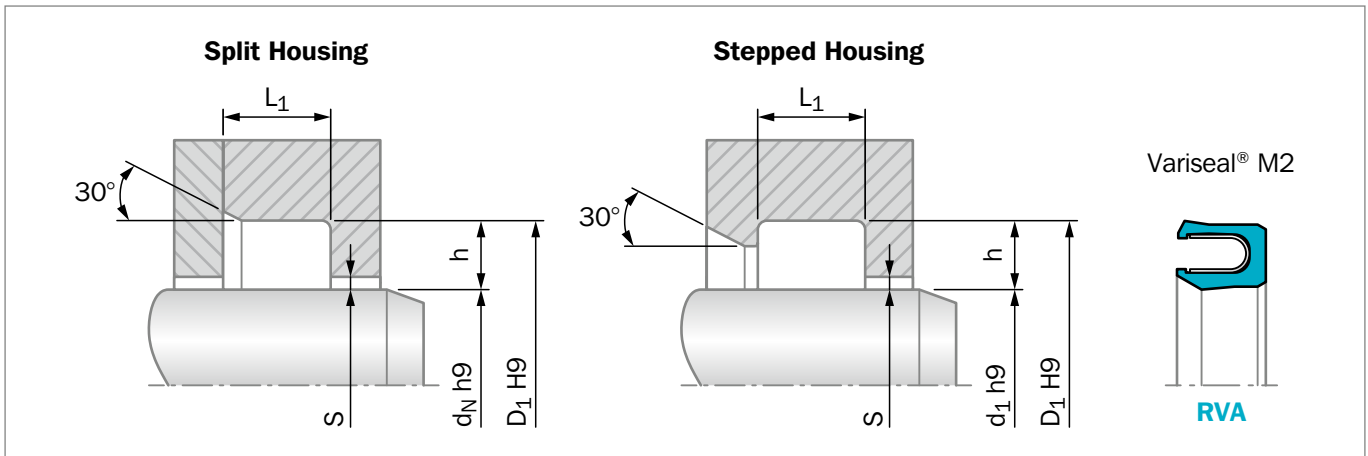


Figure 68: Installation Drawing (see Figure 67 for additional groove details)

Table 44: Installation Dimensions

Series No.	Rod Diameter $d_N/d_1$ h9		Groove Diameter $D_1$ H9	Groove Width $L_1$ +0.2	Radial Clearance $S_{max}^*$			
	Recommended Range	Extended Range**			<2 MPa	<10 MPa	<20 MPa	<40 MPa
RVA0	3.0 - 9.9	3.0 - 40.0	$d_N/d_1 + 2.9$	2.4	0.20	0.10	0.08	0.05
RVA1	10.0 - 19.9	6.0 - 200.0	$d_N/d_1 + 4.5$	3.6	0.25	0.15	0.10	0.07
RVA2	20.0 - 39.9	10.0 - 400.0	$d_N/d_1 + 6.2$	4.8	0.35	0.20	0.15	0.08
RVA3	40.0 - 119.9	20.0 - 700.0	$d_N/d_1 + 9.4$	7.1	0.50	0.25	0.20	0.10
RVA4	120.0 - 999.0	35.0 - 1,600.0	$d_N/d_1 + 12.2$	9.5	0.60	0.30	0.25	0.12
RVA5	1,000.0 - 2,500.0	80.0 - 2,500.0	$d_N/d_1 + 19.0$	15.0	0.90	0.50	0.40	0.20

\* We recommend that the gap dimensions be reduced for temperatures  $\geq 80$  °C.

At pressures >40MPa a Back-up Ring would be incorporated and the extrusion gap would not be considered.

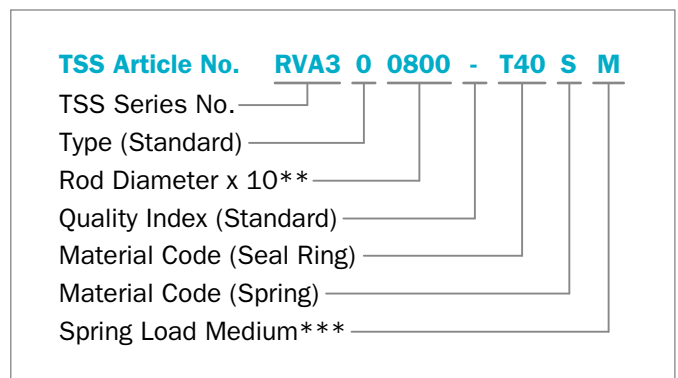
\*\* Available on request.

### ORDERING EXAMPLE

Turcon® Variseal® M2, recommended range.

<b>Series:</b>	Series RVA3 (from Table 44)
<b>Rod Diameter:</b>	$d_N = 80.0$ mm
<b>TSS Part No.:</b>	RVA300800 (from Table 45)

For other seal and spring materials please contact the Trelleborg Sealing Solutions representative.



\*\* For diameters  $\geq 1,000.0$  mm multiply only by factor 1.

Example: RVA5 for diameter 1,200.0 mm.

TSS Article No.: RVA5X1200 - T40SM according to 15 digit part number system of latest Variseal catalog.

\*\*\* M Medium, R HiClean



Table 45: Installation Dimensions / TSS Part No.

<b>d<sub>N</sub></b>	<b>D<sub>1</sub></b>	<b>TSS Part No.</b>	<b>d<sub>N</sub></b>	<b>D<sub>1</sub></b>	<b>TSS Part No.</b>	<b>d<sub>N</sub></b>	<b>D<sub>1</sub></b>	<b>TSS Part No.</b>
<b>3.0</b>	<b>5.9</b>	<b>RVA0_0030</b>	<b>32.0</b>	<b>38.2</b>	<b>RVA2_0320</b>	<b>80.0</b>	<b>89.4</b>	<b>RVA3_0800</b>
<b>4.0</b>	<b>6.9</b>	<b>RVA0_0040</b>	35.0	41.2	RVA2_0350	85.0	94.4	RVA3_0850
<b>5.0</b>	<b>7.9</b>	<b>RVA0_0050</b>	<b>36.0</b>	<b>42.2</b>	<b>RVA2_0360</b>	<b>90.0</b>	<b>99.4</b>	<b>RVA3_0900</b>
<b>6.0</b>	<b>8.9</b>	<b>RVA0_0060</b>	<b>40.0</b>	<b>49.4</b>	<b>RVA3_0400</b>	95.0	104.4	RVA3_0950
<b>8.0</b>	<b>10.9</b>	<b>RVA0_0080</b>	42.0	51.4	RVA3_0420	<b>100.0</b>	<b>109.4</b>	<b>RVA3_1000</b>
<b>10.0</b>	<b>14.5</b>	<b>RVA1_0100</b>	<b>45.0</b>	<b>54.4</b>	<b>RVA3_0450</b>	105.0	114.4	RVA3_1050
<b>12.0</b>	<b>16.5</b>	<b>RVA1_0120</b>	48.0	57.4	RVA3_0480	<b>110.0</b>	<b>119.4</b>	<b>RVA3_1100</b>
<b>14.0</b>	<b>18.5</b>	<b>RVA1_0140</b>	<b>50.0</b>	<b>59.4</b>	<b>RVA3_0500</b>	115.0	124.4	RVA3_1150
<b>15.0</b>	<b>19.5</b>	<b>RVA1_0150</b>	52.0	61.4	RVA3_0520	120.0	132.2	RVA4_1200
<b>16.0</b>	<b>20.5</b>	<b>RVA1_0160</b>	55.0	64.4	RVA3_0550	<b>125.0</b>	<b>137.2</b>	<b>RVA4_1250</b>
<b>18.0</b>	<b>22.5</b>	<b>RVA1_0180</b>	<b>56.0</b>	<b>65.4</b>	<b>RVA3_0560</b>	130.0	142.2	RVA4_1300
<b>20.0</b>	<b>26.2</b>	<b>RVA2_0200</b>	60.0	69.4	RVA3_0600	135.0	147.2	RVA4_1350
<b>22.0</b>	<b>28.2</b>	<b>RVA2_0220</b>	<b>63.0</b>	<b>72.4</b>	<b>RVA3_0630</b>	<b>140.0</b>	<b>152.2</b>	<b>RVA4_1400</b>
<b>25.0</b>	<b>31.2</b>	<b>RVA2_0250</b>	65.0	74.4	RVA3_0650			
<b>28.0</b>	<b>34.2</b>	<b>RVA2_0280</b>	<b>70.0</b>	<b>79.4</b>	<b>RVA3_0700</b>			
30.0	36.2	RVA2_0300	75.0	84.4	RVA3_0750			

The rod diameters in bold type correspond to the recommendations of ISO 3320. Other dimensions and all intermediate sizes up to 2,500 mm diameter including imperial (inch) sizes converted to mm, can be supplied.

---

! This page is intentionally left blank.

# Turcon® VL Seal®



---

Single-acting

---

Rubber-energized plastic-faced seal

---

**Material:**

Turcon®, Zurcon® and Elastomer

---



---

! This page is intentionally left blank.



## Turcon® VL Seal® \*



### Description

Turcon® VL Seal® is a unidirectional Rod seal for the same groove dimensions as standard O-Rings - Figure 69.

The design is optimized with regard to performance, friction, leakage and service life through meticulous simulation, in-house testing and qualification in the most demanding Aerospace applications.

VL Seal® effectively provides static sealing by the O-Ring. The O-Ring is protected from damage under pressure cycles by the contoured O-Ring contact zone which supports the O-Ring and keeps it in position also at high working pressure.

VL Seal® is designed with hydrodynamic back-pumping effect which allows the seal to relieve pressure trapped between tandem seals or between seals and double-acting scrapers.

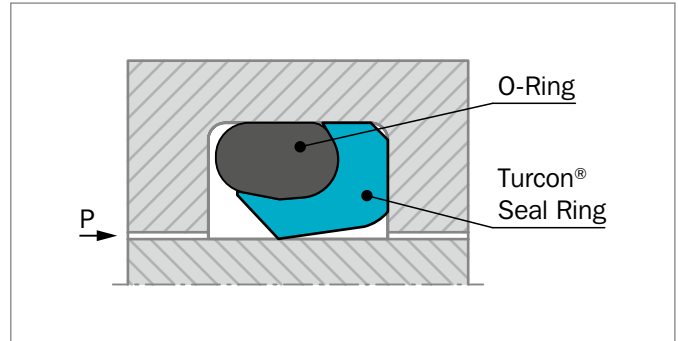


Figure 69: Turcon® VL Seal® mounted in O-Ring groove

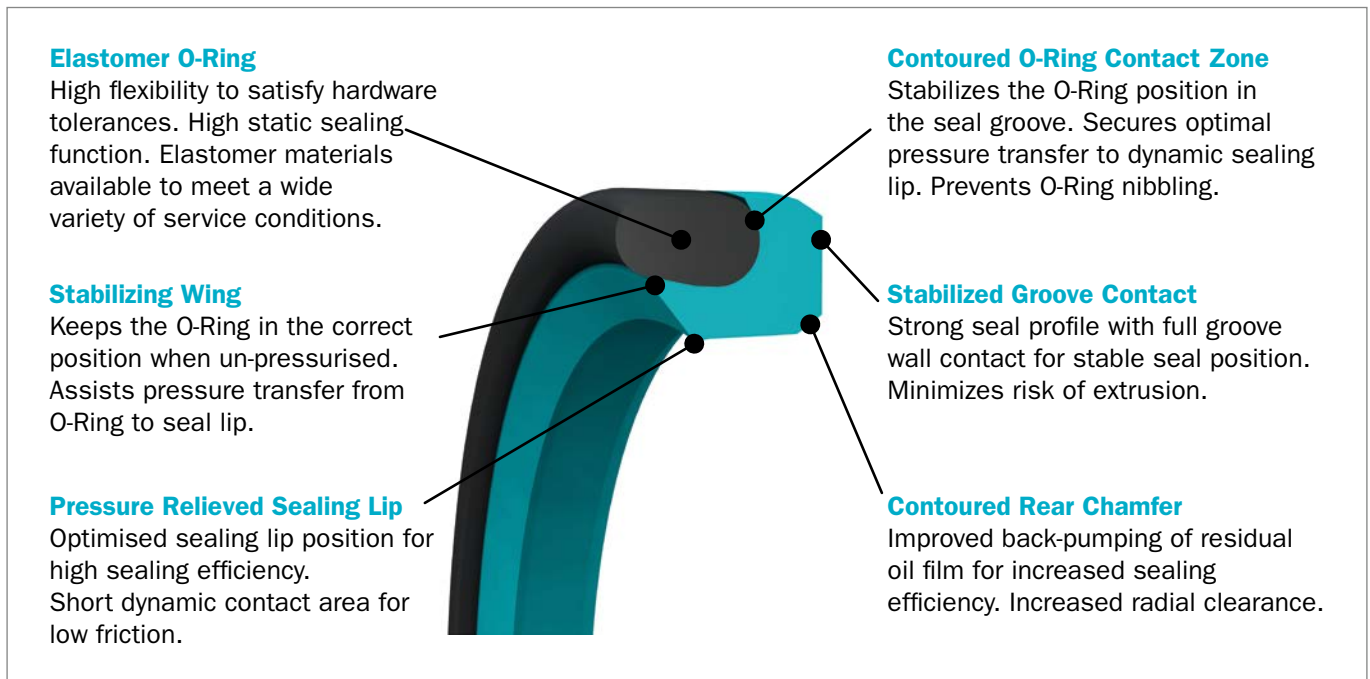


Figure 70: Turcon® VL Seal® design features

\* Patent application: US 2019/107203 A1



## METHOD OF OPERATION

The sealing mechanism of VL Seal® is based on the hydrodynamic properties of the seal. The specially formed seal edge has a steep contact pressure gradient on the high pressure side and a shallow contact pressure gradient on the low pressure side. This ensures that the fluid film adhering to the piston rod is returned to the high pressure chamber on the return stroke of the rod, minimizing the risk of leaks.

This also prevents the build-up of inter-seal pressure normally associated with tandem seal configurations - Figure 71. Inter-seal pressure depends on the system pressure, speed, stroke length and groove design.

## ADVANTAGES

- Groove design with shallow radial depth
- Optimized leakage control and service life
- Low friction with small contact area between seal and counter surface
- Featuring the Turcon® Stepseal® 2K back pumping effect
- Utilize standard O-Ring installation groove
- Available in all diameter sizes from 6 to 2,600 mm

## APPLICATION EXAMPLES

VL Seal® is recommended for hydraulics and general machine construction as an alternative to Stepseal® 2K and other single-acting seals for example in:

- Aerospace hydraulics
- Machine tools
- Automation
- Handling devises
- Telescopic cylinders
- Automobile industry
- Servo hydraulics
- Valves
- Valve stems
- Down-hole tools
- O-Ring replacement

## OPERATING CONDITIONS

<b>Pressure:</b>	Up to 60 MPa
<b>Speed:</b>	Up to 15 m/s with linear movements, frequency up to 5 Hz
<b>Temperature:</b>	-45 °C to +200 °C depending on O-Ring material
<b>Media:</b>	Mineral oil-based hydraulic fluids, flame retardant hydraulic fluids, environmentally friendly hydraulic fluids (bio-oils), phosphate ester, water and others, depending on the seal and O-Ring material compatibility see Table 46
<b>Clearance:</b>	The maximum permissible radial clearance $S_{max}$ is shown in Table 47, as a function of the operating pressure and functional diameter.

## IMPORTANT NOTE

The above data are maximum values and cannot be used at the same time. e.g. the maximum operating speed depends on material type, pressure, temperature and gap value. Temperature range also dependent on media.

## RADIAL NOTCH

VL Seal® can be delivered with radial notches at the low pressure side. This is an advantage if the seal is used in rotary applications. Notches can prevent the seal from rotating in the groove by avoiding pressurised fluid being trapped between seal and groove corner.

## REDUNDANT SEALING SYSTEM

In many applications, secondary seal systems are required. Figure 69 shows such a tandem configuration with VL Seal®.

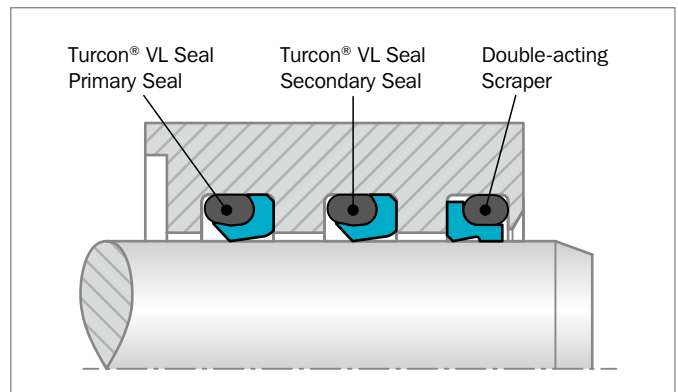


Figure 71: Turcon® VL Seal® in tandem configuration



## INSTALLATION INSTRUCTIONS

VL Seal® is dimensionally interchangeable with seals for O-Ring housings, like Turcon® Double Delta® and Turcon® Variseal® M2. Groove dimensions, radial clearances and recommended seal series in relation to diameter are as illustrated in Table 47.

VL Seal® is preferably installed in closed grooves according to Figure 13 page 41. Depending on type and size installation in split grooves is also possible. Recommended minimum diameters for installation in closed grooves see Table 7 page 41.

## RECOMMENDED MATERIALS

The following material combinations have proven effective for hydraulic applications:

### **Turcon® VL Seal® in Turcon® M12**

All round material for light to heavy hydraulic applications with linear, short stroke or helical movements in mineral oils, flame retardant hydraulic fluids, phosphate ester, bio-oils or fluids having lubricating properties:

O-Ring:	NBR 70 Shore A	N
	FKM 70 Shore A	V

Set code: M12N or M12V

### **Turcon® VL Seal® in Turcon® T46**

For medium to heavy applications with linear movements in mineral oils and other media with good lubrication.

O-Ring:	NBR 70 Shore A	N
	FKM 70 Shore A	V

Set code: T46N or T46V

Zurcon® Z54 is recommended for VL Seal® as an alternative to polyurethane U-Cups especially outside the size range of these products.

For specific applications, all Turcon® materials are available.

Other material combinations are listed in Table 46.





**Table 46: Turcon® and Zurcon® Materials for VL Seal®**

Material, Applications, Properties	Code	O-Ring Material Shore A	Code	O-Ring Operating Temp.* °C	Mating Surface Material	MPa max. Dynamic
<b>Turcon® M12</b> First material choice for seals in linear motion Overall improved properties For new constructions and updating For all commonly applied hydraulic fluids including fluids with low lubrication performance Lowest friction and best sliding properties Lowest wear on seals Improved absorption of abrasive contaminants Low wear or abrasion of counter surface BAM tested Mineral fiber and Additives filled Color: Dark Gray	M12	NBR 70	N	-30 to +100	Steel	50
		NBR 70 Low temp.	T	-45 to +80	Steel hardened Steel chrome plated (rod)	
		FKM 70	V	-10 to +200	Steel plated (rod) Cast iron Stainless steel Titanium	
<b>Turcon® T05</b> For lubricating fluids Also for gas service Very low friction Very good sliding and sealing properties Color: Turquoise	T05	NBR 70	N	-30 to +100	Steel	20
		NBR 70 Low temp.	T	-45 to +80	Steel hardened Steel chrome plated (rod)	
		FKM 70	V	-10 to +200		
<b>Turcon® T08</b> For lubricating fluids and linear motion Very high compressive strength and extrusion resistance Hard counter surfaces is recommended Bronze filled Color: Light to dark brown, which may have variations in shading	T08	NBR 70	N	-30 to +100	Steel hardened	60
		NBR 70 Low temp.	T	-45 to +80	Steel chrome plated (rod)	
		FKM 70	V	-10 to +200	Cast iron	
<b>Turcon® T29</b> For lubricating and non-lubricating fluids Good extrusion resistance Surface texture is not suitable for gas sealing Not for electrically conducting fluids Carbon fiber filled Color: Gray	T29	NBR 70	N	-30 to +100	Steel	30
		NBR 70 Low temp.	T	-45 to +80	Steel hardened Steel chrome plated (rod)	
		FKM 70	V	-10 to +200	Cast iron	
		EPDM 70	E**	-45 to +145	Stainless steel	
<b>Turcon® T40</b> For lubricating and non-lubricating fluids High frequency and short strokes Water hydraulics Surface texture is not suitable for gas sealing Carbon fiber filled Color: Gray	T40	NBR 70	N	-30 to +100	Steel	25
		NBR 70 Low temp.	T	-45 to +80	Steel hardened Steel chrome plated (rod)	
		FKM 70	V	-10 to +200	Cast iron	
		EPDM 70	E**	-45 to +145	Stainless steel Aluminum	

Table continues on next page



Material, Applications, Properties	Code	O-Ring Material Shore A	Code	O-Ring Operating Temp.* °C	Mating Surface Material	MPa max. Dynamic
<b>Turcon® T46</b> For lubricated hydraulics in linear motion High compressive strength High extrusion resistance Very good sliding and wear properties BAM tested Bronze filled Color: Light to dark brown, which may have variations in shading.	T46	NBR 70	N	-30 to +100	Steel hardened	50
		NBR 70 Low temp.	T	-45 to +80	Steel chrome plated (rod) Cast iron	
		FKM 70	V	-10 to +200		
<b>Zurcon® Z53***</b> For mineral oil based fluids Very high abrasion and extrusion resistance For counter surface with rougher surface finish Limited chemical resistance Max. working temperature 110 °C Cast polyurethane Color: Yellow to light-brown	Z53	NBR 70	N	-30 to +100	Steel	60
		NBR 70 Low temp.	T	-45 to +80	Steel hardened Steel chrome plated (rod) Cast iron Stainless steel Ceramic coating	
<b>Zurcon® Z54***</b> For mineral oil based fluids Linear and slowly turning movements High abrasion resistance For counter surface with rougher surface finish Good extrusion resistance Limited chemical resistance Max. working temperature 110 °C Cast polyurethane Color: Turquoise	Z54	NBR 70	N	-30 to +100	Steel	25
		NBR 70 Low temp.	T	-45 to +80	Steel hardened Steel chrome plated (rod) Cast iron Stainless steel Ceramic coating	
<b>Zurcon® Z80</b> For lubricating and non-lubricating fluids Water based fluids, air and gases Dry air pneumatics High abrasion and extrusion resistance For service in abrasive conditions and media with particles Good chemical resistance Limited temperature capability (-60 to +80 °C) UHMWPE (Ultra High Molecular Weight Polyethylene) Color: White to off-white	Z80	NBR 70	N	-30 to +100	Steel	35
		NBR 70 Low temp.	T	-45 to +80	Steel hardened Steel chrome plated (rod)	
		EPDM 70	E**	-45 to (+145)	Stainless steel Aluminum Ceramic coating	

\* The O-Ring Operation Temperature is only valid in mineral hydraulic oil.

\*\* Material not suitable for mineral oils.

\*\*\* Max. diameter 2,200 mm.

BAM: Tested by "Bundesanstalt Materialprüfung, Germany".

Highlighted materials are recommended.



## Installation Recommendation

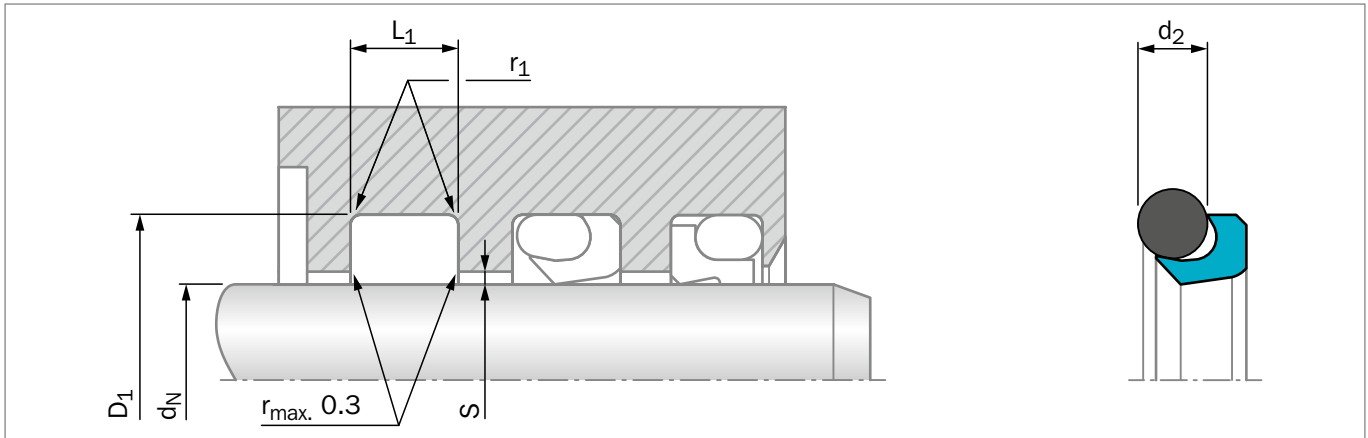


Figure 72: Installation Drawing

Table 47: Installation Dimensions - Standard Recommendations

Series No.	Rod Diameter $d_N$ f8/h9		Groove Diameter $D_1$ H9	Groove Width $L_1$ +0.2	Radius $r_1$ max	Radial Clearance $S_{max}^*$			O-Ring Cross Section $d_2$
	Standard Application	Available Range				10 MPa	20 MPa	30 MPa	
REL10	10 - 19.9	6 - 100.0	$d_N + 4.5$	3.6	0.4	0.40	0.25	0.15	1.78
REL20	20 - 39.9	10 - 200.0	$d_N + 6.2$	4.8	0.6	0.40	0.25	0.20	2.62
REL30	40 - 119.9	20 - 400.0	$d_N + 9.4$	7.1	0.8	0.50	0.30	0.20	3.53
REL40	120 - 399.9	35 - 650.0	$d_N + 12.2$	9.5	0.8	0.60	0.35	0.25	5.33
REL50	400 - 649.9	125 - 999.9	$d_N + 15.9$	12.2	0.8	0.70	0.50	0.30	7.00
REL60	650 - 999.9	400 - 999.9	$d_N + 19.0$	15.0	0.8	1.00	0.70	0.60	8.40
REL6X	1,000 - 2,600		$d_N + 19.0$	15.0	0.8	1.00	0.70	0.60	8.40

\* At pressures > 40 MPa use diameter tolerance H8/f8 (bore/rod) in the area behind seal or consult your local Customer Solution Center for alternative material or profiles.

Slydring® / Wear Rings are not applicable at very small radial clearances please consult the Slydring® section in this catalog.

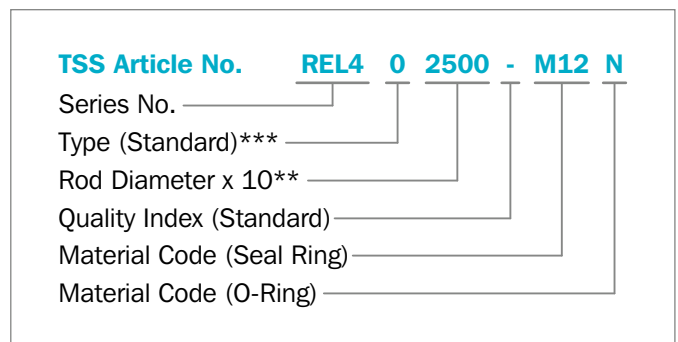
For minimum diameter installation in closed grooves see Table 7 page 41.

### ORDERING EXAMPLE

Turcon® VL Seal® complete with O-Ring, standard application:

<b>Series:</b>	REL40 from Table 47
<b>Rod diameter:</b>	$d_N = 250.0$ mm
<b>TSS Part No.:</b>	REL402500 from Table 48

Select the material from Table 46. The corresponding code numbers are appended to the TSS Part No. Together these form the TSS Article Number. The TSS Article Number for all intermediate sizes can be determined by following the example.



\*\* For diameters  $d_N \geq 1,000.0$  mm multiply only by factor 1.

Example: REL6X for diameter  $d_N = 1,200.0$  mm  
TSS Article No.: REL6X1200 - M12N

\*\*\* Use suffix "N" for seals with radial notches, for diameter  $d_N < 1,000$  mm. (Radial notches for diameter  $d_N \geq 1,000$  mm a special part number is required).



Table 48: Installation Dimensions / TSS Part No.

Rod Dia.	Groove Dia.	Groove Width	TSS Part No.	O-Ring Size	Rod Dia.	Groove Dia.	Groove Width	TSS Part No.	O-Ring Size
$d_N$ f8/h9	$D_1$ H9	$L_1$ +0.2			$d_N$ f8/h9	$D_1$ H9	$L_1$ +0.2		
6.0	10.5	3.6	REL100060	7.10 x 1.80	43.0	49.2	4.8	REL200430	44.12 x 2.62
8.0	12.5	3.6	REL100080	9.25 x 1.78	45.0	51.2	4.8	REL200450	47.29 x 2.62
9.0	13.5	3.6	REL100090	10.60 x 1.80	45.0	54.4	7.1	REL300450	47.22 x 3.53
10.0	14.5	3.6	REL100100	11.20 x 1.80	48.0	54.2	4.8	REL200480	50.47 x 2.62
12.0	16.5	3.6	REL100120	13.20 x 1.80	48.0	57.4	7.1	REL300480	50.39 x 3.53
12.7	17.2	3.6	REL100127	14.00 x 1.78	50.0	56.2	4.8	REL200500	52.07 x 2.62
14.0	18.5	3.6	REL100140	15.60 x 1.78	50.0	59.4	7.1	REL300500	53.57 x 3.53
15.0	19.5	3.6	REL100150	17.17 x 1.78	50.8	57.0	4.8	REL200508	52.07 x 2.62
16.0	20.5	3.6	REL100160	17.17 x 1.78	50.8	60.2	7.1	REL300508	53.57 x 3.53
18.0	22.5	3.6	REL100180	19.00 x 1.80	52.0	58.2	4.8	REL200520	53.64 x 2.62
19.0	25.2	4.8	REL200190	20.29 x 2.62	52.0	61.4	7.1	REL300520	56.74 x 3.53
20.0	24.5	3.6	REL100200	21.95 x 1.78	54.0	63.4	7.1	REL300540	56.74 x 3.53
20.0	26.2	4.8	REL200200	21.89 x 2.62	55.0	61.2	4.8	REL200550	56.82 x 2.62
22.0	26.5	3.6	REL100220	23.52 x 1.78	55.0	64.4	7.1	REL300550	59.92 x 3.53
22.0	28.2	4.8	REL200220	23.47 x 2.62	56.0	62.2	4.8	REL200560	58.42 x 2.62
24.0	28.5	3.6	REL100240	25.12 x 1.78	56.0	65.4	7.1	REL300560	59.92 x 3.53
25.0	29.5	3.6	REL100250	26.70 x 1.78	56.0	68.2	9.5	REL400560	59.69 x 5.33
25.0	31.2	4.8	REL200250	26.64 x 2.62	60.0	66.2	4.8	REL200600	61.60 x 2.62
25.4	29.9	3.6	REL100254	26.70 x 1.78	60.0	69.4	7.1	REL300600	63.09 x 3.53
25.4	31.6	4.8	REL200254	26.64 x 2.62	63.0	69.2	4.8	REL200630	64.77 x 2.62
26.0	30.5	3.6	REL100260	28.30 x 1.78	63.0	72.4	7.1	REL300630	66.27 x 3.53
26.0	32.2	4.8	REL200260	28.24 x 2.62	65.0	71.2	4.8	REL200650	66.34 x 2.62
28.0	32.5	3.6	REL100280	29.87 x 1.78	65.0	74.4	7.1	REL300650	69.44 x 3.53
28.0	34.2	4.8	REL200280	29.82 x 2.62	70.0	76.2	4.8	REL200700	71.12 x 2.62
30.0	34.5	3.6	REL100300	31.47 x 1.78	70.0	79.4	7.1	REL300700	72.62 x 3.53
30.0	36.2	4.8	REL200300	31.42 x 2.62	70.0	82.2	9.5	REL400700	75.57 x 5.33
32.0	36.5	3.6	REL100320	33.05 x 1.78	72.0	78.2	4.8	REL200720	75.87 x 2.62
32.0	38.2	4.8	REL200320	34.59 x 2.62	75.0	81.2	4.8	REL200750	77.00 x 2.62
35.0	39.5	3.6	REL100350	37.82 x 1.78	75.0	84.4	7.1	REL300750	78.97 x 3.53
35.0	41.2	4.8	REL200350	36.17 x 2.62	76.2	85.6	7.1	REL300762	78.97 x 3.53
36.0	40.5	3.6	REL100360	37.82 x 1.78	80.0	86.2	4.8	REL200800	82.22 x 2.62
36.0	42.2	4.8	REL200360	37.77 x 2.62	80.0	89.4	7.1	REL300800	82.14 x 3.53
37.0	41.5	3.6	REL100370	37.82 x 1.78	80.0	92.2	9.5	REL400800	85.09 x 5.33
37.0	43.2	4.8	REL200370	39.34 x 2.62	85.0	91.2	4.8	REL200850	88.57 x 2.62
38.0	44.2	4.8	REL200380	39.34 x 2.62	85.0	94.4	7.1	REL300850	88.49 x 3.53
38.0	47.4	7.1	REL300380	40.87 x 3.53	85.0	97.2	9.5	REL400850	88.27 x 5.33
40.0	46.2	4.8	REL200400	42.52 x 2.62	90.0	96.2	4.8	REL200900	94.92 x 2.62
40.0	49.4	7.1	REL300400	44.04 x 3.53	90.0	99.4	7.1	REL300900	94.84 x 3.53
42.0	48.2	4.8	REL200420	44.12 x 2.62	90.0	102.2	9.5	REL400900	94.62 x 5.33
42.0	51.4	7.1	REL300420	44.04 x 3.53	95.0	101.2	4.8	REL200950	97.00 x 2.62



Rod Dia.	Groove Dia.	Groove Width	TSS Part No.	O-Ring Size	Rod Dia.	Groove Dia.	Groove Width	TSS Part No.	O-Ring Size
$d_N$ f8/h9	$D_1$ H9	$L_1$ +0.2			$d_N$ f8/h9	$D_1$ H9	$L_1$ +0.2		
95.0	104.4	7.1	REL300950	98.02 x 3.53	<b>200.0</b>	<b>209.4</b>	<b>7.1</b>	<b>REL302000</b>	<b>202.79 x 3.53</b>
<b>100.0</b>	<b>106.2</b>	<b>4.8</b>	<b>REL201000</b>	<b>101.27 x 2.62</b>	<b>200.0</b>	<b>212.2</b>	<b>9.5</b>	<b>REL402000</b>	<b>202.57 x 5.33</b>
<b>100.0</b>	<b>109.4</b>	<b>7.1</b>	<b>REL301000</b>	<b>104.37 x 3.53</b>	205.0	217.2	9.5	REL402050	208.92 x 5.33
<b>100.0</b>	<b>112.2</b>	<b>9.5</b>	<b>REL401000</b>	<b>104.14 x 5.33</b>	210.0	222.2	9.5	REL402100	215.27 x 5.33
101.6	111.0	7.1	REL301016	104.37 x 3.53	215.0	227.2	9.5	REL402150	221.62 x 5.33
105.0	114.4	7.1	REL301050	107.54 x 3.53	<b>220.0</b>	<b>232.2</b>	<b>9.5</b>	<b>REL402200</b>	<b>227.97 x 5.33</b>
105.0	117.2	9.5	REL401050	110.49 x 5.33	225.0	237.2	9.5	REL402250	227.97 x 5.33
<b>110.0</b>	<b>116.2</b>	<b>4.8</b>	<b>REL201100</b>	<b>113.97 x 2.62</b>	230.0	239.4	7.1	REL302300	234.54 x 3.53
<b>110.0</b>	<b>119.4</b>	<b>7.1</b>	<b>REL301100</b>	<b>113.89 x 3.53</b>	230.0	242.2	9.5	REL402300	234.32 x 5.33
<b>110.0</b>	<b>122.2</b>	<b>9.5</b>	<b>REL401100</b>	<b>113.67 x 5.33</b>	235.0	247.2	9.5	REL402350	240.67 x 5.33
115.0	124.4	7.1	REL301150	117.07 x 3.53	240.0	252.2	9.5	REL402400	247.02 x 5.33
120.0	129.4	7.1	REL301200	123.42 x 3.53	245.0	257.2	9.5	REL402450	253.37 x 5.33
120.0	132.2	9.5	REL401200	123.19 x 5.33	<b>250.0</b>	<b>262.2</b>	<b>9.5</b>	<b>REL402500</b>	<b>253.37 x 5.33</b>
<b>125.0</b>	<b>134.4</b>	<b>7.1</b>	<b>REL301250</b>	<b>129.77 x 3.53</b>	270.0	282.2	9.5	REL402700	278.77 x 5.33
<b>125.0</b>	<b>137.2</b>	<b>9.5</b>	<b>REL401250</b>	<b>129.54 x 5.33</b>	275.0	287.2	9.5	REL402750	278.77 x 5.33
127.0	136.4	7.1	REL301270	129.77 x 3.53	<b>280.0</b>	<b>292.2</b>	<b>9.5</b>	<b>REL402800</b>	<b>291.47 x 5.33</b>
130.0	139.4	7.1	REL301300	132.94 x 3.53	285.0	297.2	9.5	REL402850	291.47 x 5.33
130.0	142.2	9.5	REL401300	132.72 x 5.33	290.0	302.2	9.5	REL402900	304.17 x 5.33
135.0	141.2	4.8	REL201350	139.37 x 2.62	295.0	307.2	9.5	REL402950	304.17 x 5.33
135.0	144.4	7.1	REL301350	139.29 x 3.53	300.0	312.2	9.5	REL403000	304.17 x 5.33
<b>140.0</b>	<b>146.2</b>	<b>4.8</b>	<b>REL201400</b>	<b>145.72 x 2.62</b>	310.0	322.2	9.5	REL403100	313.00 x 5.33
<b>140.0</b>	<b>149.4</b>	<b>7.1</b>	<b>REL301400</b>	<b>142.47 x 3.53</b>	<b>320.0</b>	<b>332.2</b>	<b>9.5</b>	<b>REL403200</b>	<b>329.57 x 5.33</b>
<b>140.0</b>	<b>152.2</b>	<b>9.5</b>	<b>REL401400</b>	<b>145.42 x 5.33</b>	330.0	342.2	9.5	REL403300	333.00 x 5.33
145.0	154.4	7.1	REL301450	148.82 x 3.53	340.0	352.2	9.5	REL403400	354.97 x 5.33
145.0	157.2	9.5	REL401450	148.49 x 5.33	350.0	362.2	9.5	REL403500	354.97 x 5.33
150.0	159.4	7.1	REL301500	158.34 x 3.53	<b>360.0</b>	<b>372.2</b>	<b>9.5</b>	<b>REL403600</b>	<b>365.00 x 5.30</b>
150.0	162.2	9.5	REL401500	158.12 x 5.33	370.0	382.2	9.5	REL403700	380.37 x 5.33
155.0	164.4	7.1	REL301550	158.34 x 3.53	380.0	392.2	9.5	REL403800	383.00 x 5.33
<b>160.0</b>	<b>169.4</b>	<b>7.1</b>	<b>REL301600</b>	<b>164.69 x 3.53</b>	390.0	402.2	9.5	REL403900	405.26 x 5.33
<b>160.0</b>	<b>172.2</b>	<b>9.5</b>	<b>REL401600</b>	<b>164.47 x 5.33</b>	400.0	412.2	9.5	REL404000	405.26 x 5.33
165.0	174.4	7.1	REL301650	171.04 x 3.53	400.0	415.9	12.2	REL504000	405.26 x 7.00
170.0	179.4	7.1	REL301700	177.39 x 3.53	410.0	422.2	9.5	REL404100	413.00 x 5.33
170.0	182.2	9.5	REL401700	177.17 x 5.33	420.0	432.2	9.5	REL404200	430.66 x 5.33
175.0	184.4	7.1	REL301750	177.39 x 3.53	420.0	435.9	12.2	REL504200	430.66 x 7.00
<b>180.0</b>	<b>189.4</b>	<b>7.1</b>	<b>REL301800</b>	<b>183.74 x 3.53</b>	430.0	442.2	9.5	REL404300	433.00 x 5.33
<b>180.0</b>	<b>192.2</b>	<b>9.5</b>	<b>REL401800</b>	<b>183.52 x 5.33</b>	440.0	452.2	9.5	REL404400	456.06 x 5.33
185.0	194.4	7.1	REL301850	190.09 x 3.53	450.0	462.2	9.5	REL404500	456.06 x 5.33
185.0	197.2	9.5	REL401850	189.87 x 5.33	450.0	465.9	12.2	REL504500	456.06 x 7.00
190.0	199.4	7.1	REL301900	196.44 x 3.53	460.0	472.2	9.5	REL404600	481.38 x 5.33
190.0	202.2	9.5	REL401900	196.22 x 5.33	470.0	482.2	9.5	REL404700	481.38 x 5.33
195.0	204.4	7.1	REL301950	202.79 x 3.53	480.0	492.2	9.5	REL404800	483.00 x 5.33



Rod Dia.	Groove Dia.	Groove Width	TSS Part No.	O-Ring Size
$d_N$ f8/h9	$D_1$ H9	$L_1$ +0.2		
480.0	495.9	12.2	REL504800	494.16 x 7.00
490.0	502.2	9.5	REL404900	506.78 x 5.33
500.0	512.2	9.5	REL405000	506.78 x 5.33
500.0	515.9	12.2	REL505000	506.86 x 7.00
510.0	522.2	9.5	REL405100	532.18 x 5.33
520.0	532.2	9.5	REL405200	532.18 x 5.33
520.0	535.9	12.2	REL505200	532.26 x 7.00
530.0	542.2	9.5	REL405300	533.00 x 5.33
540.0	552.2	9.5	REL405400	557.58 x 5.33
550.0	562.2	9.5	REL405500	557.58 x 5.33
550.0	565.9	12.2	REL505500	557.66 x 7.00
560.0	572.2	9.5	REL405600	582.68 x 5.33
570.0	582.2	9.5	REL405700	582.68 x 5.33
580.0	592.2	9.5	REL405800	582.68 x 5.33
580.0	595.9	12.2	REL505800	608.08 x 7.00
590.0	602.2	9.5	REL405900	608.08 x 5.33
600.0	612.2	9.5	REL406000	608.08 x 5.33
600.0	615.9	12.2	REL506000	608.08 x 7.00
610.0	622.2	9.5	REL406100	633.48 x 5.33
620.0	632.2	9.5	REL406200	633.48 x 5.33
620.0	635.9	12.2	REL506200	633.48 x 7.00
630.0	642.2	9.5	REL406300	633.48 x 5.33
640.0	652.2	9.5	REL406400	658.88 x 5.33
650.0	665.9	12.2	REL506500	658.88 x 7.00
650.0	669.0	15.0	REL606500	654.00 x 8.40
660.0	675.9	12.2	REL506600	664.00 x 7.00
660.0	679.0	15.0	REL606600	664.00 x 8.40
680.0	695.9	12.2	REL506800	684.00 x 7.00
680.0	699.0	15.0	REL606800	684.00 x 8.40
700.0	715.9	12.2	REL507000	704.00 x 7.00
700.0	719.0	15.0	REL607000	704.00 x 8.40
710.0	725.9	12.2	REL507100	714.00 x 7.00
710.0	729.0	15.0	REL607100	714.00 x 8.40
730.0	745.9	12.2	REL507300	734.00 x 7.00
730.0	749.0	15.0	REL607300	734.00 x 8.40
760.0	775.9	12.2	REL507600	764.00 x 7.00
760.0	779.0	15.0	REL607600	764.00 x 8.40
780.0	795.9	12.2	REL507800	784.00 x 7.00
780.0	799.0	15.0	REL607800	784.00 x 8.40
790.0	805.9	12.2	REL507900	794.00 x 7.00
790.0	809.0	15.0	REL607900	794.00 x 8.40

Rod Dia.	Groove Dia.	Groove Width	TSS Part No.	O-Ring Size
$d_N$ f8/h9	$D_1$ H9	$L_1$ +0.2		
800.0	815.9	12.2	REL508000	804.00 x 7.00
800.0	819.0	15.0	REL608000	804.00 x 8.40
810.0	825.9	12.2	REL508100	814.00 x 7.00
810.0	829.0	15.0	REL608100	814.00 x 8.40
820.0	835.9	12.2	REL508200	824.00 x 7.00
820.0	839.0	15.0	REL608200	824.00 x 8.40
830.0	845.9	12.2	REL508300	834.00 x 7.00
830.0	849.0	15.0	REL608300	834.00 x 8.40
850.0	865.9	12.2	REL508500	854.00 x 7.00
850.0	869.0	15.0	REL608500	854.00 x 8.40
870.0	885.9	12.2	REL508700	874.00 x 7.00
870.0	889.0	15.0	REL608700	874.00 x 8.40
880.0	895.9	12.2	REL508800	884.00 x 7.00
880.0	899.0	15.0	REL608800	884.00 x 8.40
890.0	905.9	12.2	REL508900	894.00 x 7.00
890.0	909.0	15.0	REL608900	894.00 x 8.40
930.0	945.9	12.2	REL509300	934.00 x 7.00
930.0	949.0	15.0	REL609300	934.00 x 8.40
1,000.0	1,019.0	15.0	REL6X1000	1,004.00 x 8.40
1,050.0	1,069.0	15.0	REL6X1050	1,054.00 x 8.40
1,100.0	1,119.0	15.0	REL6X1100	1,104.00 x 8.40
1,200.0	1,219.0	15.0	REL6X1200	1,204.00 x 8.40
1,500.0	1,519.0	15.0	REL6X1500	1,504.00 x 8.40
1,600.0	1,619.0	15.0	REL6X1600	1,604.00 x 8.40
2,000.0	2,019.0	15.0	REL6X2000	2,004.00 x 8.40
2,600.0	2,619.0	15.0	REL6X2600	2,604.00 x 8.40

The rod diameters in **bold** type are in accordance with the recommendations of ISO 3320.

Other dimensions and all intermediate sizes up to 2,600 mm diameter, including imperial (inch) sizes converted to mm, can be supplied.

---

! This page is intentionally left blank.



# Turcon® Glyd Ring®



---

Double-acting

---

Rubber-energized plastic-faced seal

**Material:**

Turcon®, Zurcon® and Elastomer

---





---

! This page is intentionally left blank.



## Turcon® Glyd Ring®



### Description

Turcon® Glyd Ring® is a very effective and reliable low friction seal. It is particularly suitable as a rod seal in both high and low pressure systems.

The double-acting Glyd Ring® is a combination of a Turcon® based slipper seal and an energizing O-Ring. It has an interference fit which together with the squeeze of the O-Ring ensures a good sealing effect even at low pressure. At higher system pressures, the O-Ring is energized by the fluid, pushing Glyd Ring® against the sealing face with increased force.

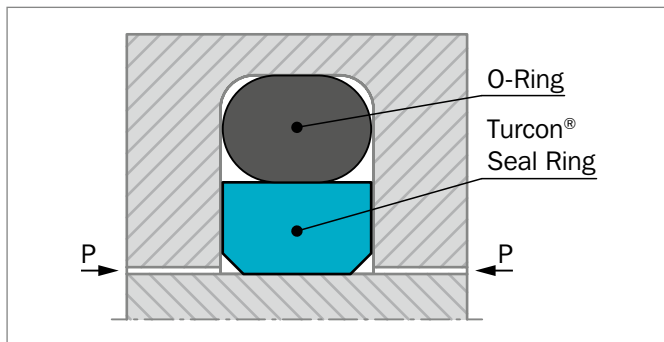


Figure 73: Turcon® Glyd Ring®

The geometry of Glyd Ring® ensures good static sealing and allows the lubricating hydrodynamic fluid film to be built under the seal in linear applications.

### ADVANTAGES

- No stick-slip effect when starting for smooth operation
- Minimum static and dynamic friction for a minimum energy loss and operating temperature
- Suitable for non lubricating fluids depending on seal material for optimum design flexibility
- High wear resistance ensures long service life
- Fits standard Stepseal® groove dimensions as well as ISO 7425-2 seal housing
- No adhesive effect to the mating surface during long period of inactivity or storage
- Suitable for most hydraulic fluids in relation with most modern hardware materials and surface finish depending on material selected.
- Suitable for environmentally friendly hydraulic fluids
- Available for all rod diameters up to 2,600 mm

### APPLICATIONS EXAMPLES

Over several decades Glyd Ring® has been successfully implemented in a large variety applications as double acting Rod seals in hydraulic components such as:

- Injection molding machines
- Machine tools
- Presses
- Handling machinery
- Valve stems
- Valves for hydraulic & pneumatic circuits.
- Servo equipment
- Hydraulic motors
- Brake booster
- Jacks

### OPERATING CONDITIONS

Glyd Ring® is recommended for linear (with a length of stroke at least twice the groove width) and helical movements.

<b>Pressure:</b>	Up to 60 MPa
<b>Speed:</b>	Up to 15 m/s
<b>Frequency:</b>	Up to 5 Hz.
<b>Temperature:</b>	-45 °C to +200 °C depending on O-Ring material
<b>Media:</b>	Mineral oil-based hydraulic fluids, flame retardant hydraulic fluids, environmentally friendly hydraulic fluids (bio-oils), phosphate ester, water, air and others, depending on the seal and O-Ring material compatibility, see Table 49.
<b>Clearance:</b>	The maximum permissible radial clearance $S_{max}$ is shown in Table 50, as a function of the operating pressure and functional diameter.

### IMPORTANT NOTE

The above data are maximum values and cannot be used at the same time, e.g. the maximum operating speed depends on material type, pressure, temperature and gap value. Temperature range also depends on media.



## NOTCHES

To assure that a rapid energizing of the seal takes place at sudden changes of pressure and direction of motion, the seal can be delivered with radial notches on both sides.

Ordering of Glyd Ring® with notches see page 163.

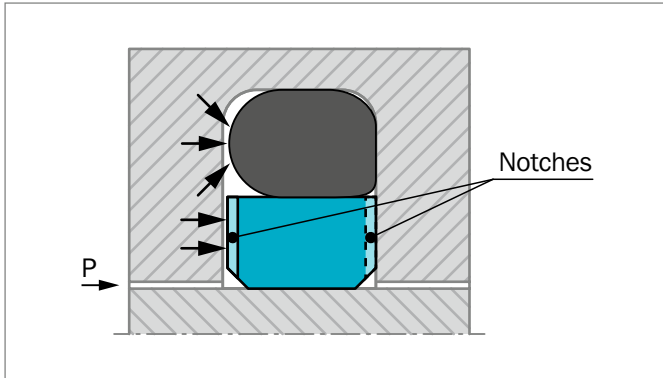


Figure 74: Turcon® Glyd Ring® with notches

## INSTALLATION INSTRUCTIONS

Glyd Ring® is installed according to information on page 39 and page 40

Closed groove installation applies same dimensions as for Turcon® Stepseal® 2K in Table 6 page 40.

## RECOMMENDED MATERIALS

The following material combinations have proven effective for hydraulic applications:

### Turcon® Glyd Ring® in Turcon® M12

All round material for light to heavy hydraulic applications with linear or helical movements in mineral oils, flame retardant hydraulic fluids, phosphate ester, bio-oils or fluids having low lubricating properties:

O-Ring:           NBR 70 Shore A     N  
                       FKM 70 Shore A     V

Set code:        M12N or M12V

### Turcon® Glyd Ring® in Turcon® T46

For media to heavy applications with linear movements in mineral oils and other media with good lubrication:

O-Ring:           NBR 70 Shore A     N  
                       FKM 70 Shore A     V

Set code:        T46N or T46V

For specific applications, all Turcon® materials are available. Other material combinations are listed in Table 49.

**Table 49: Turcon® and Zurcon® Materials for Glyd Ring®**

Material, Applications, Properties	Code	O-Ring Material Shore A	Code	O-Ring Operating Temp.* °C	Mating Surface Material	MPa max. Dynamic
<b>Turcon® M12</b> First material choice for seals in linear motion Overall improved properties For new constructions and updating For all commonly applied hydraulic fluids including fluids with low lubrication performance Lowest friction and best sliding properties Lowest wear on seals Improved absorption of abrasive contaminanants Low wear or abrasion of counter surface BAM tested Mineral fiber and Additives filled Color: Dark gray	M12	NBR 70	N	-30 to +100	Steel	50
		NBR 70 Low temp.	T	-45 to +80	Steel hardened Steel chrome plated (rod)	
		FKM 70	V	-10 to +200	Steel plated (rod) Cast iron Stainless steel Titanium	
<b>Turcon® T05</b> For lubricating fluids Also for gas service Very low friction Very good sliding and sealing properties Color: Turquoise	T05	NBR 70	N	-30 to +100	Steel	20
		NBR 70 Low temp.	T	-45 to +80	Steel, hardened Steel chrome plated (rod)	
		FKM 70	V	-10 to +200		
<b>Turcon® T08</b> For lubricating fluids and linear motion Very high compressive strength and good extrusion resistance Hard counter surfaces is recommended Bronze filled Color: Light to dark brown which may have variations in shading	T08	NBR 70	N	-30 to +100	Steel, hardened	60
		NBR 70 Low temp.	T	-45 to +80	Steel chrome plated (rod)	
		FKM 70	V	-10 to +200	Cast iron	
<b>Turcon® T10</b> For hydraulic and pneumatic For lubricating and non-lubricating fluids High extrusion resistance Good chemical resistance Not for electrically conducting fluids BAM tested. Carbon, graphite filled Color: Black	T10	NBR 70	N	-30 to +100	Steel	40
		NBR 70 Low temp.	T	-45 to +80	Steel hardened Steel chrome plated (rod)	
		FKM 70	V	-10 to +200	Stainless steel	
		EPDM 70	E**	-45 to +145		
<b>Turcon® T29</b> For all lubricating and non-lubricating fluids Good extrusion resistance Surface texture is not suitable for gas sealing Not for electrically conducting fluids Carbon fiber filled Color: Gray	T29	NBR 70	N	-30 to +100	Steel	30
		NBR 70 Low temp.	T	-45 to +80	Steel hardened Steel chrome plated (rod)	
		FKM 70	V	-10 to +200	Cast iron	
		EPDM 70	E**	-45 to +145	Stainless steel	

Table continues on next page



Material, Applications, Properties	Code	O-Ring Material Shore A	Code	O-Ring Operating Temp.* °C	Mating Surface Material	MPa max. Dynamic
<b>Turcon® T40</b> For all lubricating and non-lubricating fluids Water hydraulics Surface texture not suitable for gas sealing Carbon fiber filled Color: Gray	T40	NBR 70	N	-30 to +100	Steel	25
		NBR 70 Low temp.	T	-45 to +80	Steel hardened Steel chrome plated (rod)	
		FKM 70	V	-10 to +200	Cast iron	
		EPDM 70	E**	-45 to +145	Stainless steel Aluminum	
<b>Turcon® T46</b> For lubricated hydraulics in linear motion High compressive strength High extrusion resistance Very good sliding and wear properties BAM tested Bronze filled Color: Light to dark brown, which may have variations in shading	T46	NBR 70	N	-30 to +100	Steel hardened	50
		NBR 70 Low temp.	T	-45 to +80	Steel chrome plated (rod)	
		FKM 70	V	-10 to +200	Cast iron	
<b>Zurcon® Z53***</b> For mineral oil based fluids Very high abrasion and extrusion resistance For counter surface with rougher surface finish Limited chemical resistance. Max. working temperature 110 °C Cast polyurethane Color: Yellow to light-brown	Z53	NBR 70	N	-30 to +100	Steel	60
		NBR 70 Low temp.	T	-45 to +80	Steel hardened Steel chrome plated (rod) Cast iron Ceramic coating Stainless steel	
<b>Zurcon® Z80</b> For lubricating and non-lubricating fluids Water based fluids, air and gases Dry air pneumatics High abrasion and extrusion resistance For service in abrasive conditions and media with particles Good chemical resistance Limited temperature capability (-60 to +80 °C) UHMWPE (Ultra High Molecular Weight Polyethylene) Color: White to off-white	Z80	NBR 70	N	-30 to (+100)	Steel	35
		NBR 70 Low temp.	T	-45 to +80	Steel hardened Steel, chrome plated (rod)	
		EPDM 70	E**	-45 to (+145)	Stainless steel Aluminum Ceramic coating	

\* The O-Ring Operation Temperature is only valid in mineral hydraulic oil (except EPDM).

\*\* Material not suitable for mineral oils.

\*\*\* Max. diameter 2,200 mm

BAM: Tested by "Bundesanstalt Materialprüfung, Germany"

Highlighted materials are recommended.



## ■ Installation Recommendation

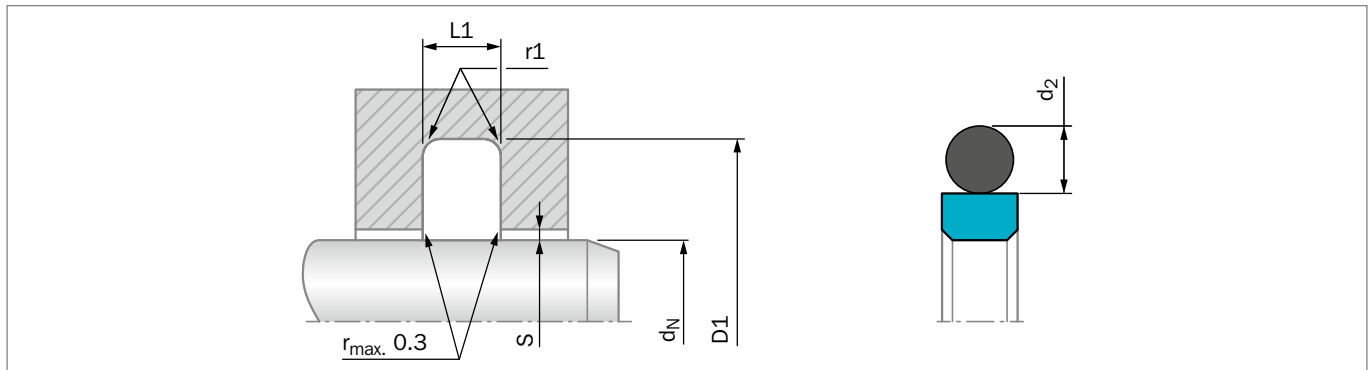


Figure 75: Installation Drawing

**Table 50: Installation Dimensions – Standard Recommendations**

Rod Diameter $d_N$ f8/h9			Groove Diameter*	Groove Width	Radius	Radial Clearance $S_{max}$ **			O-Ring Cross Section
Series No. RG 43 Standard Application	Series No. RG 45 Light Application	Series No. RG 41 Heavy Duty Application	D1 H9	L1 +0.2	$r_1$ max	10 MPa	20 MPa	40 MPa	$d_2$
3 - 7.9	8 - 18.9	-	$d_N + 4.9$	2.2	0.4	0.30	0.20	0.15	1.78
8 - 18.9	19 - 37.9	3 - 7.9	$d_N + 7.3$	3.2	0.6	0.40	0.25	0.15	2.62
19 - 37.9	38 - 199.9	8 - 18.9	$d_N + 10.7$	4.2	1.0	0.40	0.25	0.20	3.53
38 - 199.9	200 - 255.9	19 - 37.9	$d_N + 15.1$	6.3	1.3	0.50	0.30	0.20	5.33
200 - 255.9	256 - 649.9	38 - 199.9	$d_N + 20.5$	8.1	1.8	0.60	0.35	0.25	7.00
256 - 649.9	650 - 999.9	200 - 255.9	$d_N + 24.0$	8.1	1.8	0.60	0.35	0.25	7.00
650 - 999.9	1,000 - 1,200	256 - 649.9	$d_N + 27.3$	9.5	2.5	0.70	0.50	0.30	8.40
1,000 - 2,600***	-	650 - 999.9	$d_N + 38.0$	13.8	3.0	1.00	0.70	0.60	12.00

\* Installation with groove dimensions to ISO 7425-2 is also recommendable.

\*\* At pressures > 40 MPa use diameter tolerance H8/f8 (bore/rod) in the area of the seal or consult your local Customer Solution Center for alternative material or profiles.

Slydring® / Wear Rings are not applicable at very small radial clearances please consult the Slydring® section in this catalog.

\*\*\* O-Rings with 12 mm cross section are delivered as special profile ring.

### ORDERING EXAMPLE

Turcon® Glyd Ring® complete with O-Ring, standard application:

<b>Series:</b>	RG43 from Table 50
<b>Rod diameter:</b>	$d_N = 80.0$ mm
<b>TSS Part No.:</b>	RG4300800 from Table 51

Select the material from Table 49. The corresponding code numbers are appended to the TSS Part No. Together these form the TSS Article Number. The TSS Article Number for all intermediate sizes can be determined by following the example.

<b>TSS Article No.</b>	<b>RG43</b>	<b>0</b>	<b>0800</b>	<b>-</b>	<b>M12</b>	<b>N</b>
Series No.	_____	_____	_____	_____	_____	_____
Type (Standard)*****	_____	_____	_____	_____	_____	_____
Rod Diameter x 10****	_____	_____	_____	_____	_____	_____
Quality Index (Standard)	_____	_____	_____	_____	_____	_____
Material Code (Seal Ring)	_____	_____	_____	_____	_____	_____
Material Code (O-Ring)	_____	_____	_____	_____	_____	_____

\*\*\*\* For diameters  $d_N \geq 1,000.0$  mm multiply only by factor 1.  
Example: RG43 for diameter  $d_N = 1,200.0$  mm  
TSS Article No.: RG43**X1200** - M12N

\*\*\*\*\* Ordering Glyd Ring® with radial notches, please use suffix "N" in the fifth character, for diameter  $d_N < 1,000.0$  mm (Radial notches for diameter  $d_N \geq 1,000.0$  mm a special article number is required).



Table 51: Installation Dimensions / TSS Part No.

Rod Dia.	Groove Dia.	Groove Width	TSS Part No.	O-Ring Size	Rod Dia.	Groove Dia.	Groove Width	TSS Part No.	O-Ring Size
$d_N$ f8/h9	$D_1$ H9	$L_1$ +0.2			$d_N$ f8/h9	$D_1$ H9	$L_1$ +0.2		
3.0	7.9	2.2	RG4300030	4.47 x 1.78	35.0	42.3	3.2	RG4500350	37.77 x 2.62
<b>4.0</b>	<b>8.9</b>	<b>2.2</b>	<b>RG4300040</b>	<b>5.60 x 1.80</b>	35.0	45.7	4.2	RG4300350	37.69 x 3.53
<b>5.0</b>	<b>9.9</b>	<b>2.2</b>	<b>RG4300050</b>	<b>6.70 x 1.80</b>	<b>36.0</b>	<b>43.3</b>	<b>3.2</b>	<b>RG4500360</b>	<b>39.34 x 2.62</b>
<b>6.0</b>	<b>10.9</b>	<b>2.2</b>	<b>RG4300060</b>	<b>7.65 x 1.78</b>	<b>36.0</b>	<b>46.7</b>	<b>4.2</b>	<b>RG4300360</b>	<b>40.87 x 3.53</b>
7.0	11.9	2.2	RG4300070	8.75 x 1.80	38.0	48.7	4.2	RG4500380	40.87 x 3.53
<b>8.0</b>	<b>12.9</b>	<b>2.2</b>	<b>RG4500080</b>	<b>9.50 x 1.80</b>	38.0	53.1	6.3	RG4300380	43.82 x 5.33
<b>8.0</b>	<b>15.3</b>	<b>3.2</b>	<b>RG4300080</b>	<b>10.77 x 2.62</b>	39.0	49.7	4.2	RG4500390	44.04 x 3.53
<b>10.0</b>	<b>14.9</b>	<b>2.2</b>	<b>RG4500100</b>	<b>11.80 x 1.80</b>	<b>40.0</b>	<b>50.7</b>	<b>4.2</b>	<b>RG4500400</b>	<b>44.04 x 3.53</b>
<b>10.0</b>	<b>17.3</b>	<b>3.2</b>	<b>RG4300100</b>	<b>12.37 x 2.62</b>	<b>40.0</b>	<b>55.1</b>	<b>6.3</b>	<b>RG4300400</b>	<b>43.82 x 5.33</b>
<b>12.0</b>	<b>16.9</b>	<b>2.2</b>	<b>RG4500120</b>	<b>13.20 x 1.80</b>	42.0	52.7	4.2	RG4500420	47.22 x 3.53
<b>12.0</b>	<b>19.3</b>	<b>3.2</b>	<b>RG4300120</b>	<b>14.50 x 2.65</b>	42.0	57.1	6.3	RG4300420	46.99 x 5.33
<b>14.0</b>	<b>18.9</b>	<b>2.2</b>	<b>RG4500140</b>	<b>15.60 x 1.78</b>	44.0	54.7	4.2	RG4500440	47.22 x 3.53
<b>14.0</b>	<b>21.3</b>	<b>3.2</b>	<b>RG4300140</b>	<b>17.12 x 2.62</b>	44.45	59.5	6.3	RG4300444	50.17 x 5.33
15.0	19.9	2.2	RG4500150	17.17 x 1.78	<b>45.0</b>	<b>55.7</b>	<b>4.2</b>	<b>RG4500450</b>	<b>50.39 x 3.53</b>
15.0	22.3	3.2	RG4300150	18.00 x 2.65	<b>45.0</b>	<b>60.1</b>	<b>6.3</b>	<b>RG4300450</b>	<b>50.17 x 5.33</b>
<b>16.0</b>	<b>20.9</b>	<b>2.2</b>	<b>RG4500160</b>	<b>17.17 x 1.78</b>	48.0	58.7	4.2	RG4500480	51.50 x 3.55
<b>16.0</b>	<b>23.3</b>	<b>3.2</b>	<b>RG4300160</b>	<b>18.72 x 2.62</b>	48.0	63.1	6.3	RG4300480	53.34 x 5.33
<b>18.0</b>	<b>22.9</b>	<b>2.2</b>	<b>RG4500180</b>	<b>19.00 x 1.80</b>	<b>50.0</b>	<b>60.7</b>	<b>4.2</b>	<b>RG4500500</b>	<b>53.57 x 3.53</b>
<b>18.0</b>	<b>25.3</b>	<b>3.2</b>	<b>RG4300180</b>	<b>20.29 x 2.62</b>	<b>50.0</b>	<b>65.1</b>	<b>6.3</b>	<b>RG4300500</b>	<b>56.52 x 5.33</b>
19.0	29.7	4.2	RG4300190	23.40 x 3.53	50.8	61.5	4.2	RG4500508	53.57 x 3.53
<b>20.0</b>	<b>27.3</b>	<b>3.2</b>	<b>RG4500200</b>	<b>21.89 x 2.62</b>	50.8	65.9	6.3	RG4300508	56.52 x 5.33
<b>20.0</b>	<b>30.7</b>	<b>4.2</b>	<b>RG4300200</b>	<b>23.40 x 3.53</b>	52.0	62.7	4.2	RG4500520	56.74 x 3.53
<b>22.0</b>	<b>29.3</b>	<b>3.2</b>	<b>RG4500220</b>	<b>25.07 x 2.62</b>	52.0	67.1	6.3	RG4300520	56.52 x 5.33
<b>22.0</b>	<b>32.7</b>	<b>4.2</b>	<b>RG4300220</b>	<b>26.58 x 3.53</b>	54.0	69.1	6.3	RG4300540	59.69 x 5.33
24.0	31.3	3.2	RG4500240	26.64 x 2.62	55.0	65.7	4.2	RG4500550	59.92 x 3.53
<b>25.0</b>	<b>32.3</b>	<b>3.2</b>	<b>RG4500250</b>	<b>28.24 x 2.62</b>	55.0	70.1	6.3	RG4300550	59.69 x 5.33
<b>25.0</b>	<b>35.7</b>	<b>4.2</b>	<b>RG4300250</b>	<b>29.75 x 3.53</b>	<b>56.0</b>	<b>66.7</b>	<b>4.2</b>	<b>RG4500560</b>	<b>59.92 x 3.53</b>
25.4	32.7	3.2	RG4500254	28.24 x 2.62	<b>56.0</b>	<b>71.1</b>	<b>6.3</b>	<b>RG4300560</b>	<b>62.87 x 5.33</b>
25.4	36.1	4.2	RG4300254	29.75 x 3.53	58.0	73.1	6.3	RG4300580	62.87 x 5.33
26.0	33.3	3.2	RG4500260	28.24 x 2.62	60.0	70.7	4.2	RG4500600	63.09 x 3.53
26.0	36.7	4.2	RG4300260	29.75 x 3.53	60.0	75.1	6.3	RG4300600	66.04 x 5.33
27.0	34.3	3.2	RG4500270	29.82 x 2.62	<b>63.0</b>	<b>73.7</b>	<b>4.2</b>	<b>RG4500630</b>	<b>66.27 x 3.53</b>
<b>28.0</b>	<b>35.3</b>	<b>3.2</b>	<b>RG4500280</b>	<b>29.82 x 2.62</b>	<b>63.0</b>	<b>78.1</b>	<b>6.3</b>	<b>RG4300630</b>	<b>69.22 x 5.33</b>
<b>28.0</b>	<b>38.7</b>	<b>4.2</b>	<b>RG4300280</b>	<b>32.92 x 3.53</b>	65.0	80.1	6.3	RG4300650	69.22 x 5.33
28.575	35.9	3.2	RG4500286	31.42 x 2.62	67.0	77.7	4.2	RG4500670	72.62 x 3.53
29.0	36.3	3.2	RG4500290	31.42 x 2.62	<b>70.0</b>	<b>80.7</b>	<b>4.2</b>	<b>RG4500700</b>	<b>75.79 x 3.53</b>
30.0	37.3	3.2	RG4500300	32.99 x 2.62	<b>70.0</b>	<b>85.1</b>	<b>6.3</b>	<b>RG4300700</b>	<b>75.57 x 5.33</b>
30.0	40.7	4.2	RG4300300	34.52 x 3.53	72.0	82.7	4.2	RG4500720	75.79 x 3.53
<b>32.0</b>	<b>39.3</b>	<b>3.2</b>	<b>RG4500320</b>	<b>34.59 x 2.62</b>	75.0	85.7	4.2	RG4500750	78.97 x 3.53
<b>32.0</b>	<b>42.7</b>	<b>4.2</b>	<b>RG4300320</b>	<b>36.09 x 3.53</b>	75.0	90.1	6.3	RG4300750	81.92 x 5.33



Rod Dia.	Groove Dia.	Groove Width	TSS Part No.	O-Ring Size	Rod Dia.	Groove Dia.	Groove Width	TSS Part No.	O-Ring Size
$d_N$ f8/h9	$D_1$ H9	$L_1$ +0.2			$d_N$ f8/h9	$D_1$ H9	$L_1$ +0.2		
<b>80.0</b>	<b>90.7</b>	<b>4.2</b>	<b>RG4500800</b>	<b>85.32 x 3.53</b>	165.0	180.1	6.3	RG4301650	170.82 x 5.33
<b>80.0</b>	<b>95.1</b>	<b>6.3</b>	<b>RG4300800</b>	<b>85.09 x 5.33</b>	170.0	180.7	4.2	RG4501700	177.39 x 3.53
83.0	93.7	4.2	RG4500830	88.49 x 3.53	170.0	185.1	6.3	RG4301700	177.17 x 5.33
85.0	100.1	6.3	RG4300850	91.44 x 5.33	175.0	190.1	6.3	RG4301750	183.52 x 5.33
86.0	96.7	4.2	RG4500860	91.67 x 3.53	<b>180.0</b>	<b>190.7</b>	<b>4.2</b>	<b>RG4501800</b>	<b>183.74 x 3.53</b>
<b>90.0</b>	<b>100.7</b>	<b>4.2</b>	<b>RG4500900</b>	<b>94.84 x 3.53</b>	<b>180.0</b>	<b>195.1</b>	<b>6.3</b>	<b>RG4301800</b>	<b>183.52 x 5.33</b>
<b>90.0</b>	<b>105.1</b>	<b>6.3</b>	<b>RG4300900</b>	<b>94.62 x 5.33</b>	<b>180.0</b>	<b>200.5</b>	<b>8.1</b>	<b>RG4101800</b>	<b>189.87 x 7.00</b>
92.0	102.7	4.2	RG4500920	98.02 x 3.53	190.0	200.7	4.2	RG4501900	196.44 x 3.53
95.0	105.7	4.2	RG4500950	101.19 x 3.53	190.0	205.1	6.3	RG4301900	196.22 x 5.33
95.0	110.1	6.3	RG4300950	100.97 x 5.33	<b>200.0</b>	<b>215.1</b>	<b>6.3</b>	<b>RG4502000</b>	<b>208.92 x 5.33</b>
<b>100.0</b>	<b>110.7</b>	<b>4.2</b>	<b>RG4501000</b>	<b>104.37 x 3.53</b>	<b>200.0</b>	<b>220.5</b>	<b>8.1</b>	<b>RG4302000</b>	<b>208.90 x 7.00</b>
<b>100.0</b>	<b>115.1</b>	<b>6.3</b>	<b>RG4301000</b>	<b>107.32 x 5.33</b>	205.0	220.1	6.3	RG4502050	208.92 x 5.33
101.6	112.3	4.2	RG4501016	107.54 x 3.53	210.0	225.1	6.3	RG4502100	215.27 x 5.33
101.6	116.7	6.3	RG4301016	107.32 x 5.33	<b>220.0</b>	<b>235.1</b>	<b>6.3</b>	<b>RG4502200</b>	<b>227.97 x 5.33</b>
104.7	119.8	6.3	RG4301047	110.49 x 5.33	<b>220.0</b>	<b>240.5</b>	<b>8.1</b>	<b>RG4302200</b>	<b>227.97 x 7.00</b>
105.0	115.7	4.2	RG4501050	110.72 x 3.53	230.0	245.1	6.3	RG4502300	234.32 x 5.33
105.0	120.1	6.3	RG4301050	110.49 x 5.33	230.0	250.5	8.1	RG4302300	240.67 x 7.00
<b>110.0</b>	<b>120.7</b>	<b>4.2</b>	<b>RG4501100</b>	<b>113.89 x 3.53</b>	240.0	255.1	6.3	RG4502400	247.02 x 5.33
<b>110.0</b>	<b>125.1</b>	<b>6.3</b>	<b>RG4301100</b>	<b>116.84 x 5.33</b>	240.0	260.5	8.1	RG4302400	253.37 x 7.00
<b>110.0</b>	<b>130.5</b>	<b>8.1</b>	<b>RG4101100</b>	<b>116.84 x 7.00</b>	<b>250.0</b>	<b>270.5</b>	<b>8.1</b>	<b>RG4302500</b>	<b>266.07 x 7.00</b>
112.0	127.1	6.3	RG4301120	116.84 x 5.33	260.0	284.0	8.1	RG4302600	266.07 x 7.00
115.0	125.7	4.2	RG4501150	120.24 x 3.53	270.0	294.0	8.1	RG4302700	278.77 x 7.00
115.0	130.1	6.3	RG4301150	120.02 x 5.33	270.0	290.5	8.1	RG4502700	278.77 x 7.00
118.0	133.1	6.3	RG4301180	123.19 x 5.33	275.0	299.0	8.1	RG4302750	291.47 x 7.00
120.0	130.7	4.2	RG4501200	123.42 x 3.53	<b>280.0</b>	<b>304.0</b>	<b>8.1</b>	<b>RG4302800</b>	<b>291.47 x 7.00</b>
120.0	135.1	6.3	RG4301200	126.37 x 5.33	<b>280.0</b>	<b>300.5</b>	<b>8.1</b>	<b>RG4502800</b>	<b>291.47 x 7.00</b>
<b>125.0</b>	<b>135.7</b>	<b>4.2</b>	<b>RG4501250</b>	<b>129.77 x 3.53</b>	290.0	314.0	8.1	RG4302900	304.17 x 7.00
<b>125.0</b>	<b>140.1</b>	<b>6.3</b>	<b>RG4301250</b>	<b>129.54 x 5.33</b>	290.0	310.5	8.1	RG4502900	304.17 x 7.00
129.0	139.7	4.2	RG4501290	132.94 x 3.53	300.0	324.0	8.1	RG4303000	316.87 x 7.00
130.0	140.7	4.2	RG4501300	136.12 x 3.53	310.0	334.0	8.1	RG4303100	316.87 x 7.00
130.0	145.1	6.3	RG4301300	135.89 x 5.33	310.0	330.5	8.1	RG4503100	316.87 x 7.00
135.0	145.7	4.2	RG4501350	139.29 x 3.53	<b>320.0</b>	<b>344.0</b>	<b>8.1</b>	<b>RG4303200</b>	<b>329.57 x 7.00</b>
135.0	150.1	6.3	RG4301350	142.24 x 5.33	330.0	354.0	8.1	RG4303300	342.27 x 7.00
<b>140.0</b>	<b>150.7</b>	<b>4.2</b>	<b>RG4501400</b>	<b>145.64 x 3.53</b>	340.0	364.0	8.1	RG4303400	354.97 x 7.00
<b>140.0</b>	<b>155.1</b>	<b>6.3</b>	<b>RG4301400</b>	<b>145.42 x 5.33</b>	350.0	374.0	8.1	RG4303500	367.67 x 7.00
145.0	155.7	4.2	RG4501450	148.82 x 3.53	350.0	370.5	8.1	RG4503500	354.97 x 7.00
145.0	160.1	6.3	RG4301450	151.77 x 5.33	<b>360.0</b>	<b>384.0</b>	<b>8.1</b>	<b>RG4303600</b>	<b>367.67 x 7.00</b>
150.0	165.1	6.3	RG4301500	158.12 x 5.33	370.0	394.0	8.1	RG4303700	380.37 x 7.00
<b>160.0</b>	<b>175.1</b>	<b>6.3</b>	<b>RG4301600</b>	<b>164.47 x 5.33</b>	370.0	390.5	8.1	RG4503700	380.37 x 7.00
<b>160.0</b>	<b>180.5</b>	<b>8.1</b>	<b>RG4101600</b>	<b>170.82 x 7.00</b>	380.0	404.0	8.1	RG4303800	393.07 x 7.00





Rod Dia.	Groove Dia.	Groove Width	TSS Part No.	O-Ring Size
$d_N$ f8/h9	$D_1$ H9	$L_1$ +0.2		
390.0	414.0	8.1	RG4303900	405.26 x 7.00
400.0	424.0	8.1	RG4304000	417.96 x 7.00
400.0	420.5	8.1	RG4504000	405.26 x 7.00
410.0	434.0	8.1	RG4304100	417.96 x 7.00
420.0	444.0	8.1	RG4304200	430.66 x 7.00
430.0	454.0	8.1	RG4304300	443.36 x 7.00
440.0	464.0	8.1	RG4304400	456.06 x 7.00
450.0	474.0	8.1	RG4304500	468.76 x 7.00
460.0	484.0	8.1	RG4304600	468.76 x 7.00
470.0	494.0	8.1	RG4304700	481.38 x 7.00
480.0	504.0	8.1	RG4304800	494.16 x 7.00
490.0	514.0	8.1	RG4304900	506.86 x 7.00
500.0	524.0	8.1	RG4305000	506.86 x 7.00
510.0	534.0	8.1	RG4305100	532.26 x 7.00
520.0	544.0	8.1	RG4305200	532.26 x 7.00
530.0	554.0	8.1	RG4305300	557.66 x 7.00
540.0	564.0	8.1	RG4305400	557.66 x 7.00
550.0	574.0	8.1	RG4305500	557.66 x 7.00
560.0	584.0	8.1	RG4305600	582.68 x 7.00
570.0	594.0	8.1	RG4305700	582.68 x 7.00
570.0	594.0	8.1	RG4305700	582.68 x 7.00
580.0	604.0	8.1	RG4305800	608.08 x 7.00
590.0	614.0	8.1	RG4305900	608.08 x 7.00
600.0	624.0	8.1	RG4306000	608.08 x 7.00
610.0	634.0	8.1	RG4306100	633.48 x 7.00
620.0	644.0	8.1	RG4306200	633.48 x 7.00
630.0	654.0	8.1	RG4306300	658.88 x 7.00
640.0	664.0	8.1	RG4306400	658.88 x 7.00
650.0	677.3	9.5	RG4306500	663.00 x 8.40
660.0	687.3	9.5	RG4306600	673.00 x 8.40
670.0	697.3	9.5	RG4306700	683.00 x 8.40
680.0	707.3	9.5	RG4306800	693.00 x 8.40
688.0	715.3	9.5	RG4306880	701.00 x 8.40
690.0	717.3	9.5	RG4306900	703.00 x 8.40
700.0	724.0	8.1	RG4507000	712.00 x 7.00
710.0	737.3	9.5	RG4307100	723.00 x 8.40
740.0	767.3	9.5	RG4307400	753.00 x 8.40
760.0	784.0	8.1	RG4507600	772.00 x 7.00
770.0	797.3	9.5	RG4307700	783.00 x 8.40
800.0	827.3	9.5	RG4308000	813.00 x 8.40

Rod Dia.	Groove Dia.	Groove Width	TSS Part No.	O-Ring Size
$d_N$ f8/h9	$D_1$ H9	$L_1$ +0.2		
850.0	877.3	9.5	RG4308500	863.00 x 8.40
870.0	897.3	9.5	RG4308700	883.00 x 8.40
900.0	927.3	9.5	RG4309000	913.00 x 8.40
910.0	937.3	9.5	RG4309100	923.00 x 8.40
950.0	977.3	9.5	RG4309500	963.00 x 8.40
960.0	987.3	9.5	RG4309600	973.00 x 8.40
1,000.0	1,027.3	9.5	RG45X1000	1,013.00 x 8.40
1,000.0	1,038.0	13.8	RG43X1000	1,016.00 x 12.00
1,050.0	1,077.3	9.5	RG45X1050	1,063.00 x 8.40
1,050.0	1,088.0	13.8	RG43X1050	1,066.00 x 12.00
1,100.0	1,138.0	13.8	RG43X1100	1,116.00 x 12.00
1,160.0	1,187.3	9.5	RG45X1160	1,173.00 x 8.40
1,200.0	1,227.3	9.5	RG45X1200	1,213.00 x 8.40
1,200.0	1,238.0	13.8	RG43X1200	1,216.00 x 12.00
1,300.0	1,327.3	9.5	RG45X1300	1,313.00 x 8.40
1,300.0	1,338.0	13.8	RG43X1300	1,316.00 x 12.00
1,500.0	1,527.3	9.5	RG45X1500	1,513.00 x 8.40
1,500.0	1,538.0	13.8	RG43X1500	1,516.00 x 12.00
1,600.0	1,638.0	13.8	RG43X1600	1,616.00 x 12.00
2,000.0	2,038.0	13.8	RG43X2000	2,016.00 x 12.00
2,600.0	2,638.0	13.8	RG43X2600	2,616.00 x 12.00

The rod diameters in **bold** type are in accordance with the recommendations of ISO 3320.  
 Other dimensions and all intermediate sizes up to 2,600 mm diameter, including imperial (inch) sizes converted to mm, can be supplied.  
 All O-Rings with 12 mm cross section are delivered as special profile ring.

# Turcon® Glyd Ring® T



---

Double-acting

---

Rubber-energized plastic-faced seal

**Material:**

Turcon®, Zurcon® and Elastomer

---



---

! This page is intentionally left blank.



## Turcon® Glyd Ring® T\*



### Description

Turcon® Glyd Ring® T is a further technical development of Turcon® Glyd Ring®. It is fully interchangeable with earlier Glyd Ring® seals in all new applications.

The main benefits of the patented seal are provided by the innovative functional principle of the trapezoidal profile cross section. The sides of the seal profile tapers towards the seal surface. The profile can thus retain the robust and compact form typical of piston seals without losing any of the flexibility required to achieve a pressure-related maximum compression - Figure 76.

The edge angle of Glyd Ring® T permits an additional degree of freedom and enables a slight tilting movement of the seal. The maximum compression is thus always shifted towards the area of the seal edge directly exposed to the pressure.

On the low-pressure edge of the seal, Glyd Ring® T exhibits only zones with neutral strains without compressive or shearing loads, thus effectively reducing the danger of gap extrusion. The resulting benefits are as follows below.

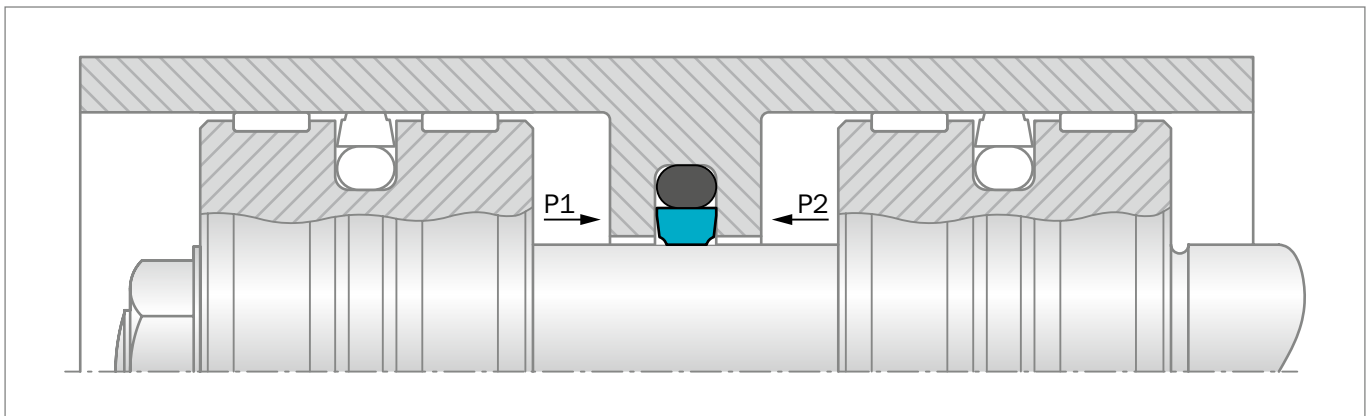


Figure 76: Turcon® Glyd Ring® T

### ADVANTAGES

- Very good static sealing performance
- Increased clearance possible (approximately +50%), depending on the operating conditions
- Low friction, no stick-slip effect
- Simple groove design
- Fits standard Stepseal® groove dimensions as well as ISO 7425-2 seal housing
- Adaptable to the operating conditions due to a wide range of materials (Turcon®, Zurcon®)
- Suitable for environmentally friendly hydraulic fluids
- Available for all rod diameters up to 2,600 mm

### APPLICATION EXAMPLES

Glyd Ring® T is the recommended sealing element for double acting inside sealing seal for hydraulic components such as:

- Injection molding machines
- Machine tools
- Presses
- Handling machinery
- Servo equipment
- Agriculture
- Valves.

It is particularly recommended for heavy duty and large diameter applications.

\* Patent application: WO 92/19893 A1



## OPERATING CONDITIONS

<b>Pressure:</b>	Up to 60 MPa
<b>Speed:</b>	Up to 15 m/s
<b>Frequency:</b>	Up to 5 Hz.
<b>Temperature:</b>	-45 °C to +200 °C depending on O-Ring material
<b>Media:</b>	Mineral oil-based hydraulic fluids, flame retardant hydraulic fluids, environmentally friendly hydraulic fluids (bio-oils), phosphate ester, water, air and others, depending on the seal and O-Ring material compatibility see Table 53.
<b>Clearance:</b>	The maximum permissible radial clearance $S_{max}$ is shown in Table 54 as a function of the operating pressure and functional diameter.

### IMPORTANT NOTE

The above data are maximum values and cannot be used at the same time, e.g. the maximum operating speed depends on material type, pressure, temperature and gap value. Temperature range also depends on media.

## SERIES

Different cross section sizes are recommended as a function of the seal diameters.

Table 52 shows the relationship between the series number according to the seal diameter range and the different application class sizes.

Standard application:	General applications without exceptional operating conditions.
Light application:	Applications with demands for reduced friction or for smaller grooves.
Heavy-duty application:	For exceptional operating loads such as high pressures, pressure peaks, etc.

**Table 52: Available Range**

Series No.	Rod Diameter $d_N$ f8/h9
RT00	2.0 - 130.0
RT01	4.0 - 240.0
RT02	6.0 - 450.0
RT03	12.0 - 650.0
RT04	38.0 - 650.0
RT08	200.0 - 999.9
RT05	256.0 - 999.9
RT05X	1,000.0 - 1,200.0
RT06	650.0 - 999.9
RT06X	1,000.0 - 2,600.0

For the recommended Standard Application range see Table 54.

## INSTALLATION INSTRUCTIONS

Glyd Ring® T is installed according to information on page 39 to 40.

Closed groove installation applies same dimensions as for Turcon® Stepseal® 2K in Table 6 page 40.

## RECOMMENDED MATERIALS

The following material combinations have proven effective for hydraulic applications:

### Turcon® Glyd Ring® T in Turcon® M12

All round material for light to heavy hydraulic applications with linear or helical movements in mineral oils, flame retardant hydraulic fluids, phosphate ester, bio-oils or fluids having low lubricating properties:

O-Ring:	NBR 70 Shore A	N
	FKM 70 Shore A	V

Set code: M12N or M12V

### Turcon® Glyd Ring® T in Turcon® T46

For medium to heavy applications with linear movements in mineral oils and other media with good lubrication:

O-Ring:	NBR 70 Shore A	N
	FKM 70 Shore A	V

Set code: T46N or T46V

For specific applications, all Turcon® materials are available. Other material combinations are listed in Table 53.

**Table 53: Turcon® and Zurcon® Materials for Glyd Ring® T**

Material, Applications, Properties	Code	O-Ring Material Shore A	Code	O-Ring Operating Temp.* °C	Mating Surface Material	MPa max. Dynamic
<b>Turcon® M12</b> First material choice for seals in linear motion Overall improved properties For new constructions and updating For all commonly applied hydraulic fluids including fluids with low lubrication performance Lowest friction and best sliding properties Lowest wear on seals Improved absorption of abrasive contaminants Low wear or abrasion of counter surface BAM tested Mineral fiber an Additives filled Color: Dark gray	M12	NBR 70	N	-30 to +100	Steel	40
		NBR 70 Low temp.	T	-45 to +80	Steel hardened Steel chrome plated (rod)	
		FKM 70	V	-10 to +200	Steel plated (rod) Cast iron Stainless steel Titanium	
<b>Turcon® T40</b> For lubricating and non-lubricating fluids <b>Water hydraulics</b> Surface texture is not suitable for gas sealing Carbon fiber filled Color: Gray	T40	NBR 70	N	-30 to +100	Steel	25
		NBR 70 Low temp.	T	-45 to +80	Steel hardened Steel chrome plated (rod)	
		FKM 70	V	-10 to +200	Cast iron	
		EPDM 70	E**	-45 to +145	Stainless steel Aluminum	
<b>Turcon® T46</b> For lubricated hydraulics in linear motion High compressive strength High extrusion resistance Very good sliding and wear properties BAM tested Bronze filled Color: Light to dark brown, which may have variations in shading.	T46	NBR 70	N	-30 to +100	Steel hardened	50
		NBR 70 Low temp.	T	-45 to +80	Steel chrome plated (rod)	
		FKM 70	V	-10 to +200	Cast iron	
<b>Zurcon® Z53***</b> For mineral oil based fluids <b>Very high abrasion and extrusion resistance</b> For counter surface with rougher surface finish Hard to install Limited chemical resistance Max. working temperature +110 °C Cast polyurethane Color: Yellow to light-brown	Z53	NBR 70	N	-30 to +100	Steel	60
		NBR 70 Low temp.	T	-45 to +80	Steel hardened Steel chrome plated (rod) Cast iron Stainless steel Ceramic coating	

Table continues on next page



Material, Applications, Properties	Code	O-Ring Material Shore A	Code	O-Ring Operating Temp.* °C	Mating Surface Material	MPa max. Dynamic
<b>Zurcon® Z80</b> For lubricating and non-lubricating fluids Water based fluids, air and gases Dry air pneumatics High abrasion and extrusion resistance For service in abrasive conditions and media with particles Good chemical resistance Limited temperature capability (-60 to +80 °C) UHMWPE (Ultra High Molecular Weight Polyethylene) Color: White to off-white	Z80	NBR 70	N	-30 to (+100)	Steel	35
		NBR 70 Low temp.	T	-45 to +80	Steel hardened Steel chrome plated (rod)	
		EPDM 70	E**	-45 to (+145)	Stainless steel Aluminum Ceramic coating	

\* The O-Ring Operation Temperature is only valid in mineral hydraulic oil (except EPDM).

\*\* Material not suitable for mineral oils.

\*\*\* Max. diameter 2,200 mm

BAM: Tested by "Bundesanstalt Materialprüfung, Germany"

 Highlighted materials are recommended.



## Installation Recommendation

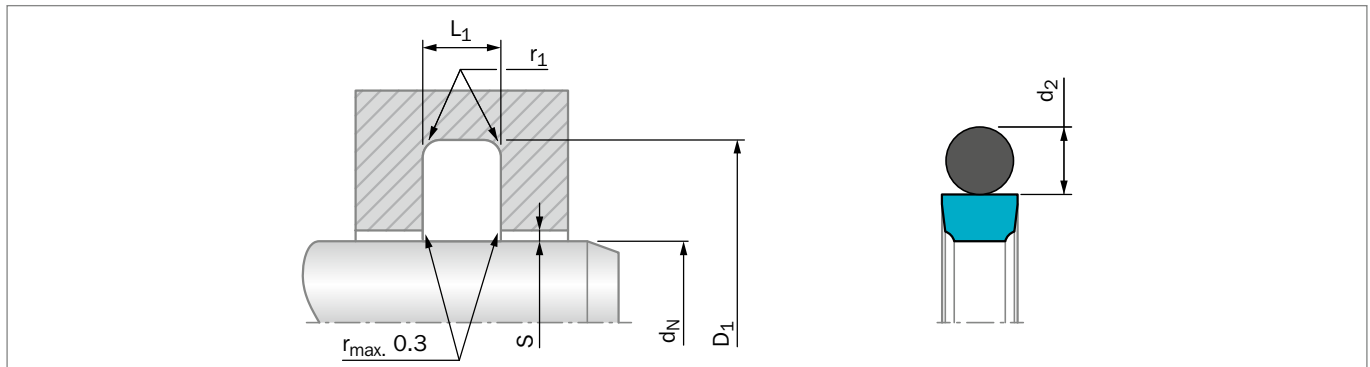


Figure 77: Installation Drawing

Table 54: Installation Dimensions – Standard Recommendations

Series No.	Rod Diameter $d_N$ f8/h9			Groove Diameter* $D_1$ H9	Groove Width $L_1$ +0.2	Radius $r_1$ max	Radial Clearance $S_{max}$ **			O-Ring Cross Section $d_2$
	Standard Application	Light Application	Heavy Duty Application				10 MPa	20 MPa	40 MPa	
RT00	3 - 7.9	8 - 18.9	-	$d_N + 4.9$	2.2	0.4	0.40	0.30	0.20	1.78
RT01	8 - 18.9	19 - 37.9	-	$d_N + 7.3$	3.2	0.6	0.60	0.50	0.30	2.62
RT02	19 - 37.9	38 - 199.9	8 - 18.9	$d_N + 10.7$	4.2	1.0	0.70	0.50	0.30	3.53
RT03	38 - 199.9	200 - 255.9	19 - 37.9	$d_N + 15.1$	6.3	1.3	0.80	0.60	0.40	5.33
RT04	200 - 255.9	256 - 649.9	38 - 199.9	$d_N + 20.5$	8.1	1.8	0.80	0.60	0.40	7.00
RT08	256 - 649.9	650 - 999.9	200 - 255.9	$d_N + 24.0$	8.1	1.8	0.90	0.70	0.50	7.00
RT05	650 - 999.9	-	256 - 649.9	$d_N + 27.3$	9.5	2.5	1.00	0.80	0.60	8.40
RT05X	-	1,000 - 1,200	-	$d_N + 27.3$	9.5	2.5	1.00	0.80	0.60	8.40
RT06***	-	-	650 - 999.9	$d_N + 38.0$	13.8	3.0	1.20	0.90	0.70	12.00
RT06X***	1,000 - 2,600	-	-	$d_N + 38.0$	13.8	3.0	1.20	0.90	0.70	12.00

\* Installation with groove dimensions to ISO 7425-2 is also recommendable.

\*\* At pressures > **40 MPa** use diameter tolerance H8/f8 (bore/rod) in the area of the seal or consult your local Customer Solution Center for alternative material or profiles.

Slydring® / Wear Rings are not applicable at very small radial clearances please consult the Slydring® section in this catalog.

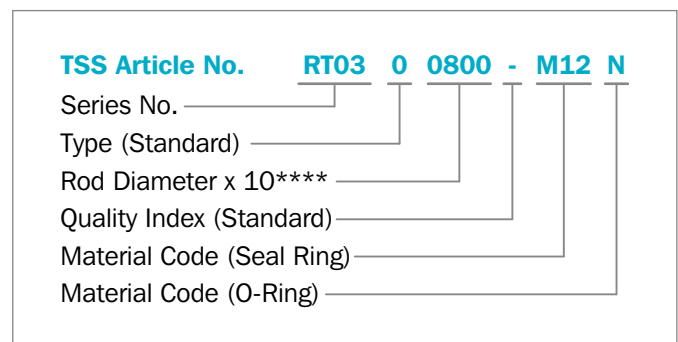
\*\*\* O-Rings with 12 mm cross section are delivered as special profile ring.

## ORDERING EXAMPLE

Turcon® Glyd Ring® T complete with O-Ring, standard application:

<b>Series:</b>	RT03 from Table 54
<b>Rod diameter:</b>	$d_N = 80.0$ mm
<b>TSS Part No.:</b>	RT0300800 from Table 55

Select the material from Table 53. The corresponding code numbers are appended to the TSS Part No. Together these form the TSS Article Number. The TSS Article Number for all intermediate sizes can be determined by following the example.



\*\*\*\* For diameters  $d_N \geq 1,000.0$  mm multiply only by factor 1.  
 Example: RT06 for diameter  $d_N = 1,200.0$  mm  
 TSS Article No.: RT06**X1200** - M12N





**Table 55: Installation Dimensions / TSS Part No.**

Rod Dia.	Groove Dia.	Groove Width	TSS Part No.	O-Ring Size	Rod Dia.	Groove Dia.	Groove Width	TSS Part No.	O-Ring Size
$d_N$ f8/h9	$D_1$ H9	$L_1$ +0.2			$d_N$ f8/h9	$D_1$ H9	$L_1$ +0.2		
3.0	7.9	2.2	RT0000030	4.80 x 1.80	35.0	42.3	3.2	RT0100350	37.77 x 2.62
<b>4.0</b>	<b>8.9</b>	<b>2.2</b>	<b>RT0000040</b>	<b>5.60 x 1.80</b>	35.0	45.7	4.2	RT0200350	37.69 x 3.53
<b>5.0</b>	<b>9.9</b>	<b>2.2</b>	<b>RT0000050</b>	<b>6.70 x 1.80</b>	<b>36.0</b>	<b>43.3</b>	<b>3.2</b>	<b>RT0100360</b>	<b>39.34 x 2.62</b>
<b>6.0</b>	<b>10.9</b>	<b>2.2</b>	<b>RT0000060</b>	<b>7.65 x 1.78</b>	<b>36.0</b>	<b>46.7</b>	<b>4.2</b>	<b>RT0200360</b>	<b>40.87 x 3.53</b>
7.0	11.9	2.2	RT0000070	8.75 x 1.80	38.0	48.7	4.2	RT0200380	40.87 x 3.53
<b>8.0</b>	<b>12.9</b>	<b>2.2</b>	<b>RT0000080</b>	<b>9.50 x 1.80</b>	38.0	53.1	6.3	RT0300380	43.82 x 5.33
<b>8.0</b>	<b>15.3</b>	<b>3.2</b>	<b>RT0100080</b>	<b>10.77 x 2.62</b>	39.0	49.7	4.2	RT0200390	44.04 x 3.53
<b>10.0</b>	<b>14.9</b>	<b>2.2</b>	<b>RT0000100</b>	<b>11.80 x 1.80</b>	<b>40.0</b>	<b>50.7</b>	<b>4.2</b>	<b>RT0200400</b>	<b>44.04 x 3.53</b>
<b>10.0</b>	<b>17.3</b>	<b>3.2</b>	<b>RT0100100</b>	<b>12.37 x 2.62</b>	<b>40.0</b>	<b>55.1</b>	<b>6.3</b>	<b>RT0300400</b>	<b>43.82 x 5.33</b>
<b>12.0</b>	<b>16.9</b>	<b>2.2</b>	<b>RT0000120</b>	<b>14.00 x 1.78</b>	42.0	52.7	4.2	RT0200420	47.22 x 3.53
<b>12.0</b>	<b>19.3</b>	<b>3.2</b>	<b>RT0100120</b>	<b>14.50 x 2.65</b>	42.0	57.1	6.3	RT0300420	46.99 x 5.33
<b>14.0</b>	<b>18.9</b>	<b>2.2</b>	<b>RT0000140</b>	<b>15.60 x 1.78</b>	44.0	54.7	4.2	RT0200440	47.22 x 3.53
<b>14.0</b>	<b>21.3</b>	<b>3.2</b>	<b>RT0100140</b>	<b>17.12 x 2.62</b>	44.4	59.5	6.3	RT0300444	50.17 x 5.33
15.0	19.9	2.2	RT0000150	17.17 x 1.78	<b>45.0</b>	<b>55.7</b>	<b>4.2</b>	<b>RT0200450</b>	<b>50.39 x 3.53</b>
15.0	22.3	3.2	RT0100150	18.00 x 2.65	<b>45.0</b>	<b>60.1</b>	<b>6.3</b>	<b>RT0300450</b>	<b>50.17 x 5.33</b>
<b>16.0</b>	<b>20.9</b>	<b>2.2</b>	<b>RT0000160</b>	<b>17.17 x 1.78</b>	48.0	58.7	4.2	RT0200480	53.57 x 3.53
<b>16.0</b>	<b>23.3</b>	<b>3.2</b>	<b>RT0100160</b>	<b>18.72 x 2.62</b>	48.0	63.1	6.3	RT0300480	53.34 x 5.33
<b>18.0</b>	<b>22.9</b>	<b>2.2</b>	<b>RT0000180</b>	<b>20.35 x 1.78</b>	<b>50.0</b>	<b>60.7</b>	<b>4.2</b>	<b>RT0200500</b>	<b>53.57 x 3.53</b>
<b>18.0</b>	<b>25.3</b>	<b>3.2</b>	<b>RT0100180</b>	<b>20.29 x 2.62</b>	<b>50.0</b>	<b>65.1</b>	<b>6.3</b>	<b>RT0300500</b>	<b>56.52 x 5.33</b>
19.0	29.7	4.2	RT0200190	23.40 x 3.53	50.8	61.5	4.2	RT0200508	53.57 x 3.53
<b>20.0</b>	<b>27.3</b>	<b>3.2</b>	<b>RT0100200</b>	<b>21.89 x 2.62</b>	50.8	65.9	6.3	RT0300508	56.52 x 5.33
<b>20.0</b>	<b>30.7</b>	<b>4.2</b>	<b>RT0200200</b>	<b>25.00 x 3.53</b>	52.0	62.7	4.2	RT0200520	56.74 x 3.53
<b>22.0</b>	<b>29.3</b>	<b>3.2</b>	<b>RT0100220</b>	<b>25.07 x 2.62</b>	52.0	67.1	6.3	RT0300520	56.52 x 5.33
<b>22.0</b>	<b>32.7</b>	<b>4.2</b>	<b>RT0200220</b>	<b>26.58 x 3.53</b>	54.0	69.1	6.3	RT0300540	59.69 x 5.33
24.0	31.3	3.2	RT0100240	26.64 x 2.62	55.0	65.7	4.2	RT0200550	59.92 x 3.53
<b>25.0</b>	<b>32.3</b>	<b>3.2</b>	<b>RT0100250</b>	<b>28.24 x 2.62</b>	55.0	70.1	6.3	RT0300550	59.69 x 5.33
<b>25.0</b>	<b>35.7</b>	<b>4.2</b>	<b>RT0200250</b>	<b>29.75 x 3.53</b>	<b>56.0</b>	<b>66.7</b>	<b>4.2</b>	<b>RT0200560</b>	<b>59.92 x 3.53</b>
25.4	32.7	3.2	RT0100254	28.24 x 2.62	<b>56.0</b>	<b>71.1</b>	<b>6.3</b>	<b>RT0300560</b>	<b>62.87 x 5.33</b>
25.4	36.1	4.2	RT0200254	29.75 x 3.53	58.0	73.1	6.3	RT0300580	62.87 x 5.33
26.0	33.3	3.2	RT0100260	28.24 x 2.62	60.0	70.7	4.2	RT0200600	63.09 x 3.53
26.0	36.7	4.2	RT0200260	29.75 x 3.53	60.0	75.1	6.3	RT0300600	66.04 x 5.33
27.0	34.3	3.2	RT0100270	29.82 x 2.62	<b>63.0</b>	<b>73.7</b>	<b>4.2</b>	<b>RT0200630</b>	<b>66.27 x 3.53</b>
<b>28.0</b>	<b>35.3</b>	<b>3.2</b>	<b>RT0100280</b>	<b>29.82 x 2.62</b>	<b>63.0</b>	<b>78.1</b>	<b>6.3</b>	<b>RT0300630</b>	<b>69.22 x 5.33</b>
<b>28.0</b>	<b>38.7</b>	<b>4.2</b>	<b>RT0200280</b>	<b>32.92 x 3.53</b>	65.0	80.1	6.3	RT0300650	69.22 x 5.33
28.575	35.875	3.2	RT0100286	31.42 x 2.62	67.0	77.7	4.2	RT0200670	72.62 x 3.53
29.0	36.3	3.2	RT0100290	31.42 x 2.62	<b>70.0</b>	<b>80.7</b>	<b>4.2</b>	<b>RT0200700</b>	<b>75.79 x 3.53</b>
30.0	37.3	3.2	RT0100300	32.99 x 2.62	<b>70.0</b>	<b>85.1</b>	<b>6.3</b>	<b>RT0300700</b>	<b>75.57 x 5.33</b>
30.0	40.7	4.2	RT0200300	34.52 x 3.53	72.0	82.7	4.2	RT0200720	75.79 x 3.53
<b>32.0</b>	<b>39.3</b>	<b>3.2</b>	<b>RT0100320</b>	<b>34.59 x 2.62</b>	75.0	85.7	4.2	RT0200750	78.97 x 3.53
<b>32.0</b>	<b>42.7</b>	<b>4.2</b>	<b>RT0200320</b>	<b>36.09 x 3.53</b>	75.0	90.1	6.3	RT0300750	81.92 x 5.33



Rod Dia.	Groove Dia.	Groove Width	TSS Part No.	O-Ring Size	Rod Dia.	Groove Dia.	Groove Width	TSS Part No.	O-Ring Size
$d_N$ f8/h9	$D_1$ H9	$L_1$ +0.2			$d_N$ f8/h9	$D_1$ H9	$L_1$ +0.2		
<b>80.0</b>	<b>90.7</b>	<b>4.2</b>	<b>RT0200800</b>	<b>85.32 x 3.53</b>	165.0	180.1	6.3	RT0301650	170.82 x 5.33
<b>80.0</b>	<b>95.1</b>	<b>6.3</b>	<b>RT0300800</b>	<b>85.09 x 5.33</b>	170.0	180.7	4.2	RT0201700	177.39 x 3.53
83.0	93.7	4.2	RT0200830	88.49 x 3.53	170.0	185.1	6.3	RT0301700	177.17 x 5.33
85.0	100.1	6.3	RT0300850	91.44 x 5.33	175.0	190.1	6.3	RT0301750	183.52 x 5.33
86.0	96.7	4.2	RT0200860	91.67 x 3.53	<b>180.0</b>	<b>190.7</b>	<b>4.2</b>	<b>RT0201800</b>	<b>183.74 x 3.53</b>
<b>90.0</b>	<b>100.7</b>	<b>4.2</b>	<b>RT0200900</b>	<b>94.84 x 3.53</b>	<b>180.0</b>	<b>195.1</b>	<b>6.3</b>	<b>RT0301800</b>	<b>183.52 x 5.33</b>
<b>90.0</b>	<b>105.1</b>	<b>6.3</b>	<b>RT0300900</b>	<b>94.62 x 5.33</b>	<b>180.0</b>	<b>200.5</b>	<b>8.1</b>	<b>RT0401800</b>	<b>189.87 x 7.00</b>
92.0	102.7	4.2	RT0200920	98.02 x 3.53	190.0	200.7	4.2	RT0201900	196.44 x 3.53
95.0	105.7	4.2	RT0200950	101.19 x 3.53	190.0	205.1	6.3	RT0301900	196.22 x 5.33
95.0	110.1	6.3	RT0300950	100.97 x 5.33	<b>200.0</b>	<b>215.1</b>	<b>6.3</b>	<b>RT0302000</b>	<b>208.92 x 5.33</b>
<b>100.0</b>	<b>110.7</b>	<b>4.2</b>	<b>RT0201000</b>	<b>104.37 x 3.53</b>	<b>200.0</b>	<b>220.5</b>	<b>8.1</b>	<b>RT0402000</b>	<b>208.90 x 7.00</b>
<b>100.0</b>	<b>115.1</b>	<b>6.3</b>	<b>RT0301000</b>	<b>107.32 x 5.33</b>	205.0	220.1	6.3	RT0302050	208.92 x 5.33
101.6	112.3	4.2	RT0201016	107.54 x 3.53	210.0	225.1	6.3	RT0302100	215.27 x 5.33
101.6	116.7	6.3	RT0301016	107.32 x 5.33	220.0	235.1	6.3	RT0302200	227.97 x 5.33
104.7	119.8	6.3	RT0301047	110.49 x 5.33	<b>220.0</b>	<b>240.5</b>	<b>8.1</b>	<b>RT0402200</b>	<b>227.97 x 7.00</b>
105.0	115.7	4.2	RT0201050	110.72 x 3.53	230.0	245.1	6.3	RT0302300	234.32 x 5.33
105.0	120.1	6.3	RT0301050	110.49 x 5.33	230.0	250.5	8.1	RT0402300	240.67 x 7.00
<b>110.0</b>	<b>120.7</b>	<b>4.2</b>	<b>RT0201100</b>	<b>113.89 x 3.53</b>	240.0	255.1	6.3	RT0302400	247.02 x 5.33
<b>110.0</b>	<b>125.1</b>	<b>6.3</b>	<b>RT0301100</b>	<b>116.84 x 5.33</b>	240.0	260.5	8.1	RT0402400	253.37 x 7.00
<b>110.0</b>	<b>130.5</b>	<b>8.1</b>	<b>RT0401100</b>	<b>120.02 x 7.00</b>	<b>250.0</b>	<b>270.5</b>	<b>8.1</b>	<b>RT0402500</b>	<b>266.07 x 7.00</b>
112.0	127.1	6.3	RT0301120	116.84 x 5.33	260.0	284.0	8.1	RT0802600	266.07 x 7.00
115.0	125.7	4.2	RT0201150	120.24 x 3.53	270.0	290.5	8.1	RT0402700	278.77 x 7.00
115.0	130.1	6.3	RT0301150	120.02 x 5.33	270.0	294.0	8.1	RT0802700	278.77 x 7.00
118.0	133.1	6.3	RT0301180	123.19 x 5.33	275.0	299.0	8.1	RT0802750	291.47 x 7.00
120.0	130.7	4.2	RT0201200	123.42 x 3.53	<b>280.0</b>	<b>300.5</b>	<b>8.1</b>	<b>RT0402800</b>	<b>291.47 x 7.00</b>
120.0	135.1	6.3	RT0301200	126.37 x 5.33	<b>280.0</b>	<b>304.0</b>	<b>8.1</b>	<b>RT0802800</b>	<b>291.47 x 7.00</b>
<b>125.0</b>	<b>135.7</b>	<b>4.2</b>	<b>RT0201250</b>	<b>129.77 x 3.53</b>	290.0	310.5	8.1	RT0402900	304.17 x 7.00
<b>125.0</b>	<b>140.1</b>	<b>6.3</b>	<b>RT0301250</b>	<b>129.54 x 5.33</b>	290.0	314.0	8.1	RT0802900	304.17 x 7.00
129.0	139.7	4.2	RT0201290	132.94 x 3.53	300.0	324.0	8.1	RT0803000	316.87 x 7.00
130.0	140.7	4.2	RT0201300	136.12 x 3.53	310.0	330.5	8.1	RT0403100	316.87 x 7.00
130.0	145.1	6.3	RT0301300	135.89 x 5.33	310.0	334.0	8.1	RT0803100	316.87 x 7.00
135.0	145.7	4.2	RT0201350	139.29 x 3.53	<b>320.0</b>	<b>344.0</b>	<b>8.1</b>	<b>RT0803200</b>	<b>329.57 x 7.00</b>
135.0	150.1	6.3	RT0301350	142.24 x 5.33	330.0	354.0	8.1	RT0803300	342.27 x 7.00
<b>140.0</b>	<b>150.7</b>	<b>4.2</b>	<b>RT0201400</b>	<b>145.64 x 3.53</b>	340.0	364.0	8.1	RT0803400	354.97 x 7.00
<b>140.0</b>	<b>155.1</b>	<b>6.3</b>	<b>RT0301400</b>	<b>145.42 x 5.33</b>	350.0	370.5	8.1	RT0403500	354.97 x 7.00
145.0	155.7	4.2	RT0201450	148.82 x 3.53	350.0	374.0	8.1	RT0803500	367.67 x 7.00
145.0	160.1	6.3	RT0301450	151.77 x 5.33	<b>360.0</b>	<b>384.0</b>	<b>8.1</b>	<b>RT0803600</b>	<b>367.67 x 7.00</b>
150.0	165.1	6.3	RT0301500	158.12 x 5.33	370.0	390.5	8.1	RT0403700	380.37 x 7.00
<b>160.0</b>	<b>175.1</b>	<b>6.3</b>	<b>RT0301600</b>	<b>164.47 x 5.33</b>	370.0	394.0	8.1	RT0803700	380.37 x 7.00
<b>160.0</b>	<b>180.5</b>	<b>8.1</b>	<b>RT0401600</b>	<b>170.82 x 7.00</b>	380.0	404.0	8.1	RT0803800	393.07 x 7.00



Rod Dia.	Groove Dia.	Groove Width	TSS Part No.	O-Ring Size
$d_N$ f8/h9	$D_1$ H9	$L_1$ +0.2		
390.0	414.0	8.1	RT0803900	405.26 x 7.00
400.0	420.5	8.1	RT0404000	405.26 x 7.00
400.0	424.0	8.1	RT0804000	417.96 x 7.00
410.0	434.0	8.1	RT0804100	417.96 x 7.00
420.0	444.0	8.1	RT0804200	430.66 x 7.00
430.0	454.0	8.1	RT0804300	443.36 x 7.00
440.0	464.0	8.1	RT0804400	456.06 x 7.00
450.0	474.0	8.1	RT0804500	468.76 x 7.00
460.0	484.0	8.1	RT0804600	468.76 x 7.00
470.0	494.0	8.1	RT0804700	481.38 x 7.00
480.0	504.0	8.1	RT0804800	494.16 x 7.00
490.0	514.0	8.1	RT0804900	506.86 x 7.00
500.0	524.0	8.1	RT0805000	506.86 x 7.00
510.0	534.0	8.1	RT0805100	532.26 x 7.00
520.0	544.0	8.1	RT0805200	532.26 x 7.00
530.0	554.0	8.1	RT0805300	557.66 x 7.00
540.0	564.0	8.1	RT0805400	557.66 x 7.00
550.0	574.0	8.1	RT0805500	557.66 x 7.00
560.0	584.0	8.1	RT0805600	582.68 x 7.00
570.0	594.0	8.1	RT0805700	582.68 x 7.00
580.0	604.0	8.1	RT0805800	608.08 x 7.00
590.0	614.0	8.1	RT0805900	608.08 x 7.00
600.0	624.0	8.1	RT0806000	608.08 x 7.00
610.0	634.0	8.1	RT0806100	633.48 x 7.00
620.0	644.0	8.1	RT0806200	633.48 x 7.00
630.0	654.0	8.1	RT0806300	658.88 x 7.00
640.0	664.0	8.1	RT0806400	658.88 x 7.00
650.0	677.3	9.5	RT0506500	663.00 x 8.40
660.0	687.3	9.5	RT0506600	673.00 x 8.40
670.0	697.3	9.5	RT0506700	683.00 x 8.40
680.0	707.3	9.5	RT0506800	693.00 x 8.40
688.0	715.3	9.5	RT0506880	701.00 x 8.40
690.0	717.3	9.5	RT0506900	703.00 x 8.40
700.0	724.0	8.1	RT0807000	721.00 x 7.00
710.0	737.3	9.5	RT0507100	723.00 x 8.40
740.0	767.3	9.5	RT0507400	753.00 x 8.40
760.0	784.0	8.1	RT0807600	772.00 x 7.00
770.0	797.3	9.5	RT0507700	783.00 x 8.40
800.0	827.3	9.5	RT0508000	813.00 x 8.40
850.0	877.3	9.5	RT0508500	863.00 x 8.40

Rod Dia.	Groove Dia.	Groove Width	TSS Part No.	O-Ring Size
$d_N$ f8/h9	$D_1$ H9	$L_1$ +0.2		
870.0	897.3	9.5	RT0508700	883.00 x 8.40
900.0	927.3	9.5	RT0509000	913.00 x 8.40
910.0	937.3	9.5	RT0509100	923.00 x 8.40
950.0	977.3	9.5	RT0509500	963.00 x 8.40
960.0	987.3	9.5	RT0509600	973.00 x 8.40
1,000.0	1,027.3	9.5	RT05X1000	1,013.00 x 8.40
1,000.0	1,038.0	13.8	RT06X1000	1,016.00 x 12.00
1,050.0	1,077.3	9.5	RT05X1050	1,063.00 x 8.40
1,050.0	1,088.0	13.8	RT06X1050	1,066.00 x 12.00
1,100.0	1,138.0	13.8	RT06X1100	1,116.00 x 12.00
1,160.0	1,187.3	9.5	RT05X1160	1,173.00 x 8.40
1,200.0	1,227.3	9.5	RT05X1200	1,213.00 x 8.40
1,200.0	1,238.0	13.8	RT06X1200	1,216.00 x 12.00
1,300.0	1,338.0	13.8	RT06X1300	1,316.00 x 12.00
1,500.0	1,538.0	13.8	RT06X1500	1,516.00 x 12.00
1,600.0	1,638.0	13.8	RT06X1600	1,616.00 x 12.00
2,000.0	2,038.0	13.8	RT06X2000	2,016.00 x 12.00
2,600.0	2,638.0	13.8	RT06X2600	2,616.00 x 12.00

The rod diameters in **bold** type are in accordance with the recommendations of ISO 3320.

Other dimensions and all intermediate sizes up to 2,600 mm diameter, including imperial (inch) sizes converted to mm, can be supplied.

All O-Rings with 12 mm cross section are delivered as a special profile ring.

# Turcon® Glyd Ring® Hz



---

Double-acting

---

Rubber-energized plastic-faced seal

**Material:**

Turcon®, Zurcon® and Elastomer

---



---

! This page is intentionally left blank.



## Turcon® Glyd Ring® Hz



### Description

Glyd Ring® Hz is a symmetric single- and double-acting rod seal for applications with short-stroke high-frequency linear movements. It is designed to fit into ISO 7425-2 housing grooves.

Glyd Ring® Hz is wider than Turcon® Glyd Ring® giving a tighter fit in the housing groove and limiting its axial movement. It also prevents the seal from being damaged under short-stroke high-frequency movement. Furthermore it eliminates the risk of wear between O-Ring and seal.

Glyd Ring® Hz has notches on both sides to ensure system pressure can instantly activate the O-Ring under the seal despite the tighter fit and the fast alternation of pressure direction.

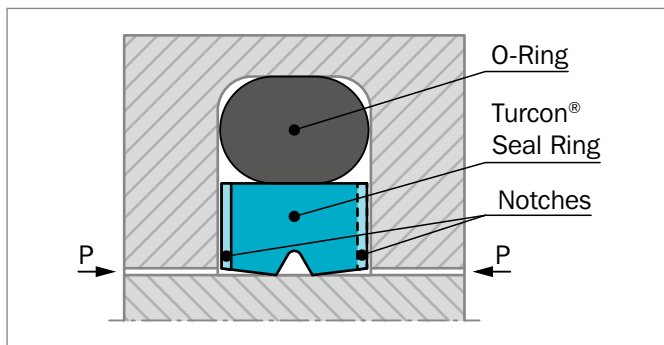


Figure 78: Turcon® Glyd Ring® Hz – short-stroke

The angled contact faces ensure that oil film is not scraped away from the surface but is transported into the groove in the middle of the contact area forming an oil reservoir for lubrication. Wear particles are also likely to be captured in this groove, thus preventing them from embedding in the surface where the highest contact force occurs.

### DEFINITION

Short-stroke high-frequency movements are conditions, which in combination can cause problems in hydraulic systems:

**Short-Stroke:**  $\leq 3 \times G$  (Groove width).

Very short reciprocating movements can cause reduced service life due to insufficient lubrication film, giving an increasing temperature on a limited area. These factors increase wear on seal and hardware and wear particles will not be removed from the seal face.

**High-Frequency:** Reciprocating movement above 5 Hz.

With an increasing frequency the formation of lubrication under the contact face is reduced. High-frequency is most often occurring in connection with short-strokes. These two types of movements together accelerate the wear on hardware and seal.

### ADVANTAGES

- Seal face gets lubricated in short-stroke high-frequency linear movements
- Low friction
- No stick-slip effect
- Single and double acting
- High wear resistance
- Installation grooves acc. to ISO 7425-2
- No adhesive effect to the mating surface during long period of inactivity or storage
- Available for all cylinder diameters up to 999.9 mm. (For diameter  $\geq 1,000$  mm special part number is required)

### APPLICATIONS EXAMPLES

Glyd Ring® Hz has been successfully implemented in a large variety of applications as double acting rod seal for hydraulic components such as:

- Injection molding machines
- Machine tools
- Press brakes
- Handling machinery
- Servo equipment
- Pressure intensifiers
- Shock absorbers
- Wind power pitch cylinders



## OPERATING CONDITIONS

<b>Pressure:</b>	Up to 30 MPa with mineral oil depending on seal material
<b>Speed:</b>	Up to 15 m/s with linear movements
<b>Temperature:</b>	-45 °C to +200 °C depending on Seal and O-Ring material
<b>Media:</b>	Mineral oil and other fluids with very high lubricity depending on temperature, seal and O-Ring material compatibility
<b>Clearance:</b>	The maximum permissible radial clearance $S_{max}$ is shown in Table 57 as a function of the operating pressure and functional diameter.

### IMPORTANT NOTE

The above data are maximum values and cannot be used at the same time, e.g. the maximum operating speed depends on material type, pressure, temperature and gap value. Temperature range also depends on media.

## HARDWARE

Short-stroke high-frequency can cause heavy wear on hardware due to poor lubrication under the seal and the fact that wear products cannot be removed from the contact area. The hardest possible hardware material should be recommended, especially when system pressure is above 10 MPa.

## INSTALLATION INSTRUCTIONS

Glyd Ring® Hz is installed according to information on page 39 and 40.

Closed groove installation applies the same limits for diameter  $d_N$  as for Turcon® Stepseal® 2K in Table 6 page 40.

Tandem seal installation of Glyd Ring® Hz cannot be recommended as the short-strokes create a risk of pressure build-up between the seals.

When used as rod seal we recommend two possibilities, either one Glyd Ring® Hz and one Turcon® Excluder® 2 with drain in between - Figure 79 - or one Glyd Ring® Hz and a single-acting Turcon® Excluder® 1 - Figure 80.

All elements should be in one of the recommended materials.

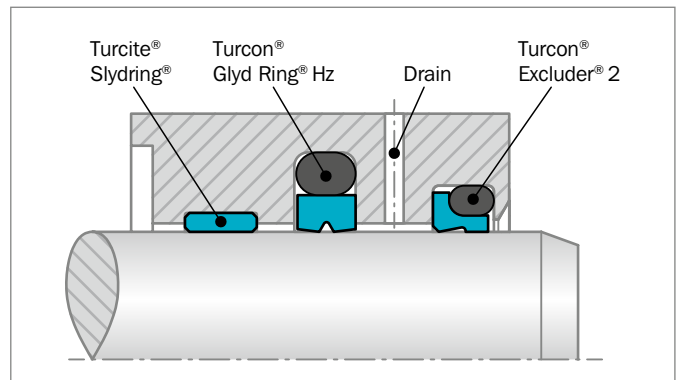


Figure 79: Glyd Ring® Hz with Turcon® Excluder® 2 and Turcite® Slydring®

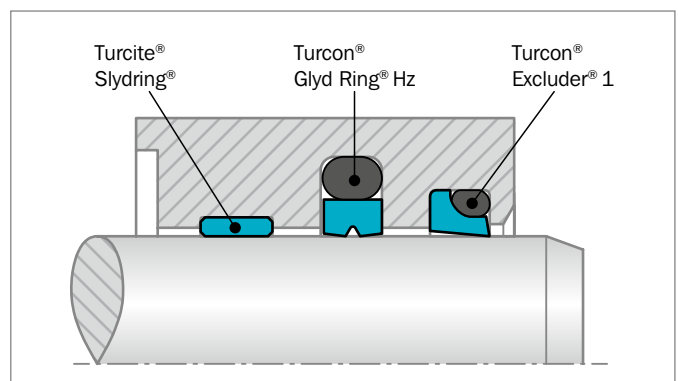


Figure 80: Glyd Ring® Hz with Turcon® Excluder® 1 and Turcite® Slydring®

## RECOMMENDED MATERIALS

The following material combinations have proven effective for short-stroke and/or high-frequency applications:

### Turcon® Glyd Ring® Hz in Turcon® M12

All round material for hydraulic applications with linear, short-stroke and /or high-frequency movements in mineral oils and fluids having high lubricating properties:

O-Ring:	NBR 70 Shore A	N
	FKM 70 Shore A	V
	depending on medium and temperature	

Set code: M12N or M12V



**Turcon® Glyd Ring® Hz in Turcon® T49**

For medium to heavy applications with linear, short-stroke and/or high-frequency movements in mineral oils:

O-Ring:       NBR 70 Shore A    N  
              FKM 70 Shore A    V  
              depending on media and temperature

Set code:       T49N or T49V

**Turcon® Glyd Ring® Hz in Turcon® T40**

For light to medium applications with linear, short-stroke and/or high-frequency movements in fluids with lower lubricating properties:

O-Ring:       NBR 70 Shore A    N  
              FKM 70 Shore A    V  
              EPDM 70 Shore A   E  
              depending on media and temperature

Set code:       T40N, T40V or T40E

**Zurcon® Glyd Ring® Hz in Zurcon® Z80**

For light applications with linear, short-stroke and/or high-frequency movements in water based fluids, air and gases at reduced pressure and frequencies due to the temperature limitation of the material:

O-Ring:       NBR 70 Shore A    N  
              EPDM 70 Shore A   E  
              depending on media and temperature

Set code:       Z80N or Z80E





**Table 56: Turcon® and Zurcon® Materials for Glyd Ring® Hz**

Material, Applications, Properties	Code	O-Ring Material Shore A	Code	O-Ring Operating Temp. * °C	Mating Surface Material	MPa max. Dynamic
<b>Turcon® M12</b> First material choice for seals in linear motion with high-frequency and short-strokes For new constructions and updating For commonly applied hydraulic fluids Lowest friction and best sliding properties Lowest wear on seals Improved absorption of abrasive contaminants Low wear or abrasion of counter surface BAM tested Mineral fiber and Additives filled Color: Dark gray	M12	NBR 70	N	-30 to +100	Steel	30
		NBR 70 Low temp.	T	-45 to +80	Steel hardened Steel chrome plated (rod)	
		FKM 70	V	-10 to +200	Steel plated (rod) Cast iron Stainless steel Titanium	
<b>Turcon® T40</b> For lubricating fluids and fluids with lower lubrication performance Water hydraulics at reduced pressure and frequency Surface texture is only suitable for gas sealing when lubricated with fluid Carbon fiber filled Color: Gray	T40	NBR 70	N	-30 to +100	Steel	25
		NBR 70 Low temp.	T	-45 to +80	Steel hardened Steel chrome plated (rod)	
		FKM 70	V	-10 to +200	Cast iron	
		EPDM-70	E**	-45 to +145	Stainless steel Aluminum	
<b>Turcon® T49</b> For lubricated hydraulics in linear motion High compressive strength High extrusion resistance Very good sliding and wear properties Surface treated for very quick run-in BAM tested Bronze filled Color: Light to dark brown, which may have variations in shading.	T49	NBR 70	N	-30 to +100	Steel (tubes)	30
		NBR 70 Low temp.	T	-45 to +80	Steel hardened Steel chrome plated (rod)	
		FKM 70	V	-10 to +200	Cast iron	

Table continues on next page



Material, Applications, Properties	Code	O-Ring Material Shore A	Code	O-Ring Operating Temp. * °C	Mating Surface Material	MPa max. Dynamic
<b>Zurcon® Z80</b> For low frequencies due to the temperature limitation of the material For lubricating fluids and fluids with lower lubrication performance Water based fluids, air and gases at reduced pressure Dry air pneumatics High abrasion and extrusion resistance For service in abrasive conditions and media with particles Good chemical resistance Limited temperature capability (-60 to +80 °C) UHMWPE (Ultra High Molecular Weight Polyethylene) Color: White to off-white	Z80	NBR 70	N	-30 to (+100)	Steel	25
		NBR 70 Low temp.	T	-45 to +80	Steel hardened Steel chrome plated (rod)	
		EPDM 70	E**	-45 to (+145)	Stainless steel Aluminum Ceramic coating	

\* The O-Ring Operation Temperature is only valid in mineral hydraulic oil (except EPDM).

\*\* Material not suitable for mineral oils.

BAM: Tested by "Bundes-anstalt Materialprüfung, Germany"

Highlighted materials are recommended.



## ■ Installation Recommendation

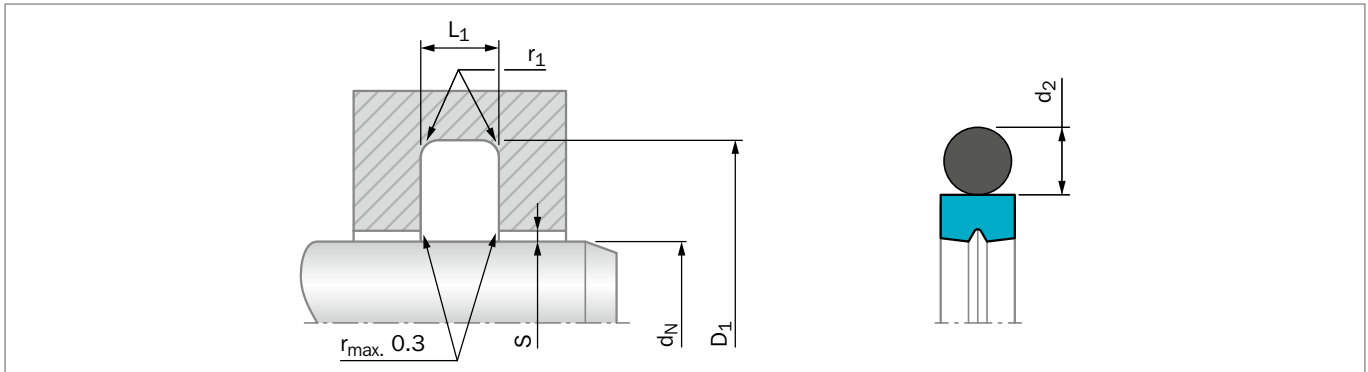


Figure 81: Installation Drawing

**Table 57: Installation Dimensions – Standard Recommendations**

Series No.	Rod Diameter $d_N$ f8/h9		Groove Diameter $D_1$ H9	Groove Width $L_1$ +0.2	Radius $r_1$ max	Radial Clearance $S_{max}$ *			O-Ring Cross Section $d_2$
	Standard Range	Available Range				10 MPa	20 MPa	30 MPa	
RGS0	5 - 7.9	5 - 150.0	$d_N + 5.0^{**}$	2.2	0.4	0.25	0.20	0.15	1.78
RGS1	8 - 18.9	8 - 260.0	$d_N + 7.5$	3.2	0.6	0.40	0.25	0.15	2.62
RGS2	19 - 37.9	19 - 480.0	$d_N + 11.0$	4.2	1.0	0.45	0.25	0.20	3.53
RGS3	38 - 199.9	19 - 750.0	$d_N + 15.5$	6.3	1.3	0.55	0.30	0.20	5.33
RGS4	200 - 255.9	38 - 750.0	$d_N + 21.0$	8.1	1.8	0.60	0.35	0.25	7.00
RGS8***	256 - 649.9	120 - 999.9	$d_N + 24.5$	8.1	1.8	0.60	0.35	0.25	7.00
RGS5***	650 - 999.9	256 - 999.9	$d_N + 28.0$	9.5	2.5	0.65	0.50	0.30	8.40

\* At pressures > 30 MPa use diameter tolerance H8/f8 (bore/rod) in the area of the seal or consult your local Customer Solution Center for alternative material or profiles.

Slydring® / Wear Rings are not applicable at very small radial clearances please consult the Slydring® section in this catalog.

\*\* Can also be used in Turcon® Glyd Ring® T groove  $d_N + 4.9$  mm.

\*\*\* Grooves are not according to ISO 7425-2.

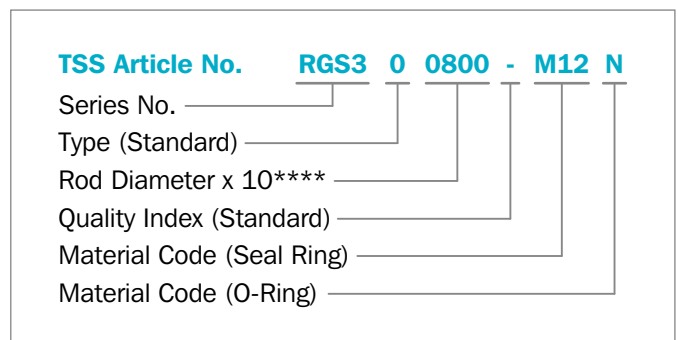
### ORDERING EXAMPLE

Glyd Ring® Hz complete with O-Ring, Standard application:

<b>Series:</b>	RGS30 from Table 57
<b>Rod diameter:</b>	$d_N = 80.0$ mm
<b>TSS Part No.:</b>	RGS300800 from Table 58

Select the material from Table 56. The corresponding code numbers are appended to the TSS Part No. Together they form the TSS Article Number.

The TSS Article Number for all intermediate sizes can be determined by following the example:



\*\*\*\* For diameters  $d_N \geq 1,000$  mm only with TSS Special Article Number.

### IMPORTANT NOTE

Installation Dimensions: For rod sealing the groove diameters are **not** identical to diameters for Stepseal® 2K, Glyd Ring® T and Glyd Ring® PG43.



Table 58: Installation Dimensions / TSS Part No.

Rod Dia.	Groove Dia.	Groove Width	TSS Part No.	O-Ring Size	Rod Dia.	Groove Dia.	Groove Width	TSS Part No.	O-Ring Size
$d_N$ f8/h9	$D_1$ H9	$L_1$ +0.2			$d_N$ f8/h9	$D_1$ H9	$L_1$ +0.2		
8.0	13.0	2.2	RGS000080	9.50 x 1.80	40.0	55.5	6.3	RGS300400	46.99 x 5.33
8.0	15.5	3.2	RGS100080	10.77 x 2.62	42.0	53.0	4.2	RGS200420	47.22 x 3.53
10.0	15.0	2.2	RGS000100	11.80 x 1.80	42.0	57.5	6.3	RGS300420	46.99 x 5.33
10.0	17.5	3.2	RGS100100	12.37 x 2.62	44.0	55.0	4.2	RGS200440	47.22 x 3.53
12.0	17.0	2.2	RGS000120	14.00 x 1.78	44.4	59.9	6.3	RGS300444	50.17 x 5.33
12.0	19.5	3.2	RGS100120	14.50 x 2.65	45.0	56.0	4.2	RGS200450	50.39 x 3.53
14.0	19.0	2.2	RGS000140	15.60 x 1.78	45.0	60.5	6.3	RGS300450	50.17 x 5.33
14.0	21.5	3.2	RGS100140	17.12 x 2.62	48.0	59.0	4.2	RGS200480	53.57 x 3.53
15.0	20.0	2.2	RGS000150	17.17 x 1.78	48.0	63.5	6.3	RGS300480	53.34 x 5.33
15.0	22.5	3.2	RGS100150	18.00 x 2.65	50.0	61.0	4.2	RGS200500	53.57 x 3.53
16.0	21.0	2.2	RGS000160	17.17 x 1.78	50.0	65.5	6.3	RGS300500	56.52 x 5.33
16.0	23.5	3.2	RGS100160	18.72 x 2.62	50.8	61.8	4.2	RGS200508	53.57 x 3.53
18.0	23.0	2.2	RGS000180	20.35 x 1.78	50.8	66.3	6.3	RGS300508	56.52 x 5.33
18.0	25.5	3.2	RGS100180	20.29 x 2.62	52.0	63.0	4.2	RGS200520	56.74 x 3.53
19.0	30.0	4.2	RGS200190	23.40 x 3.53	52.0	67.5	6.3	RGS300520	56.52 x 5.33
20.0	27.5	3.2	RGS100200	21.89 x 2.62	54.0	69.5	6.3	RGS300540	59.69 x 5.33
20.0	31.0	4.2	RGS200200	25.00 x 3.53	55.0	66.0	4.2	RGS200550	59.92 x 3.53
22.0	29.5	3.2	RGS100220	25.07 x 2.62	55.0	70.5	6.3	RGS300550	59.69 x 5.33
22.0	33.0	4.2	RGS200220	26.58 x 3.53	56.0	67.0	4.2	RGS200560	59.92 x 3.53
24.0	31.5	3.2	RGS100240	26.64 x 2.62	56.0	71.5	6.3	RGS300560	62.87 x 5.33
25.0	32.5	3.2	RGS100250	28.24 x 2.62	58.0	73.5	6.3	RGS300580	62.87 x 5.33
25.0	36.0	4.2	RGS200250	29.75 x 3.53	60.0	71.0	4.2	RGS200600	63.09 x 3.53
25.4	32.9	3.2	RGS100254	28.24 x 2.62	60.0	75.5	6.3	RGS300600	66.04 x 5.33
25.4	36.4	4.2	RGS200254	29.75 x 3.53	63.0	74.0	4.2	RGS200630	66.27 x 3.53
26.0	33.5	3.2	RGS100260	28.24 x 2.62	63.0	78.5	6.3	RGS300630	69.22 x 5.33
26.0	37.0	4.2	RGS200260	31.35 x 3.53	65.0	80.5	6.3	RGS300650	72.39 x 5.33
27.0	34.5	3.2	RGS100270	29.82 x 2.62	67.0	78.0	4.2	RGS200670	72.62 x 3.53
28.0	35.5	3.2	RGS100280	31.42 x 2.62	70.0	81.0	4.2	RGS200700	75.79 x 3.53
28.0	39.0	4.2	RGS200280	32.92 x 3.53	70.0	85.5	6.3	RGS300700	75.57 x 5.33
28.6	36.1	3.2	RGS100286	31.42 x 2.62	72.0	83.0	4.2	RGS200720	75.79 x 3.53
29.0	36.5	3.2	RGS100290	31.42 x 2.62	75.0	86.0	4.2	RGS200750	78.97 x 3.53
30.0	37.5	3.2	RGS100300	32.99 x 2.62	75.0	90.5	6.3	RGS300750	81.92 x 5.33
30.0	41.0	4.2	RGS200300	34.52 x 3.53	80.0	91.0	4.2	RGS200800	85.32 x 3.53
32.0	43.0	4.2	RGS200320	36.09 x 3.53	80.0	95.5	6.3	RGS300800	85.09 x 5.33
35.0	46.0	4.2	RGS200350	40.87 x 3.53	83.0	94.0	4.2	RGS200830	88.49 x 3.53
36.0	43.5	3.2	RGS100360	39.34 x 2.62	85.0	100.5	6.3	RGS300850	91.44 x 5.33
36.0	47.0	4.2	RGS200360	40.87 x 3.53	86.0	97.0	4.2	RGS200860	91.67 x 3.53
38.0	49.0	4.2	RGS200380	44.04 x 3.53	90.0	101.0	4.2	RGS200900	94.84 x 3.53
38.0	53.5	6.3	RGS300380	43.82 x 5.33	90.0	105.5	6.3	RGS300900	97.79 x 5.33
39.0	50.0	4.2	RGS200390	44.04 x 3.53	92.0	103.0	4.2	RGS200920	98.02 x 3.53
40.0	51.0	4.2	RGS200400	44.04 x 3.53	95.0	106.0	4.2	RGS200950	101.19 x 3.53



Rod Dia.	Groove Dia.	Groove Width	TSS Part No.	O-Ring Size	Rod Dia.	Groove Dia.	Groove Width	TSS Part No.	O-Ring Size
$d_N$ f8/h9	$D_1$ H9	$L_1$ +0.2			$d_N$ f8/h9	$D_1$ H9	$L_1$ +0.2		
95.0	110.5	6.3	RGS300950	100.97 x 5.33	205.0	220.5	6.3	RGS302050	208.92 x 5.33
<b>100.0</b>	<b>111.0</b>	<b>4.2</b>	<b>RGS201000</b>	<b>104.37 x 3.53</b>	210.0	225.5	6.3	RGS302100	215.27 x 5.33
<b>100.0</b>	<b>115.5</b>	<b>6.3</b>	<b>RGS301000</b>	<b>107.32 x 5.33</b>	<b>220.0</b>	<b>235.5</b>	<b>6.3</b>	<b>RGS302200</b>	<b>227.97 x 5.33</b>
101.6	112.6	4.2	RGS201016	107.54 x 3.53	<b>220.0</b>	<b>241.0</b>	<b>8.1</b>	<b>RGS402200</b>	<b>227.97 x 7.00</b>
101.6	117.1	6.3	RGS301016	107.32 x 5.33	230.0	245.5	6.3	RGS302300	234.32 x 5.33
104.7	120.2	6.3	RGS301047	110.49 x 5.33	230.0	251.0	8.1	RGS402300	240.67 x 7.00
105.0	116.0	4.2	RGS201050	110.72 x 3.53	240.0	255.5	6.3	RGS302400	247.02 x 5.33
105.0	120.5	6.3	RGS301050	110.49 x 5.33	240.0	261.0	8.1	RGS402400	253.37 x 7.00
<b>110.0</b>	<b>121.0</b>	<b>4.2</b>	<b>RGS201100</b>	<b>113.89 x 3.53</b>	<b>250.0</b>	<b>271.0</b>	<b>8.1</b>	<b>RGS402500</b>	<b>266.07 x 7.00</b>
<b>110.0</b>	<b>125.5</b>	<b>6.3</b>	<b>RGS301100</b>	<b>116.84 x 5.33</b>	260.0	284.5	8.1	RGS802600	266.07 x 7.00
<b>110.0</b>	<b>131.0</b>	<b>8.1</b>	<b>RGS401100</b>	<b>120.02 x 7.00</b>	270.0	291.0	8.1	RGS402700	278.77 x 7.00
112.0	127.5	6.3	RGS301120	116.84 x 5.33	270.0	294.5	8.1	RGS802700	278.77 x 7.00
115.0	126.0	4.2	RGS201150	120.24 x 3.53	275.0	299.5	8.1	RGS802750	291.47 x 7.00
115.0	130.5	6.3	RGS301150	120.02 x 5.33	<b>280.0</b>	<b>301.0</b>	<b>8.1</b>	<b>RGS402800</b>	<b>291.47 x 7.00</b>
118.0	133.5	6.3	RGS301180	123.19 x 5.33	<b>280.0</b>	<b>304.5</b>	<b>8.1</b>	<b>RGS802800</b>	<b>291.47 x 7.00</b>
120.0	131.0	4.2	RGS201200	126.59 x 3.53	290.0	311.0	8.1	RGS402900	304.17 x 7.00
120.0	135.5	6.3	RGS301200	126.37 x 5.33	290.0	314.5	8.1	RGS802900	304.17 x 7.00
<b>125.0</b>	<b>136.0</b>	<b>4.2</b>	<b>RGS201250</b>	<b>129.77 x 3.53</b>	300.0	324.5	8.1	RGS803000	316.87 x 7.00
<b>125.0</b>	<b>140.5</b>	<b>6.3</b>	<b>RGS301250</b>	<b>132.72 x 5.33</b>	310.0	331.0	8.1	RGS403100	316.87 x 7.00
129.0	140.0	4.2	RGS201290	132.94 x 3.53	310.0	334.5	8.1	RGS803100	316.87 x 7.00
130.0	141.0	4.2	RGS201300	136.12 x 3.53	<b>320.0</b>	<b>344.5</b>	<b>8.1</b>	<b>RGS803200</b>	<b>329.57 x 7.00</b>
130.0	145.5	6.3	RGS301300	135.89 x 5.33	330.0	354.5	8.1	RGS803300	342.27 x 7.00
135.0	146.0	4.2	RGS201350	139.29 x 3.53	340.0	364.5	8.1	RGS803400	354.97 x 7.00
135.0	150.5	6.3	RGS301350	142.24 x 5.33	350.0	371.0	8.1	RGS403500	354.97 x 7.00
<b>140.0</b>	<b>151.0</b>	<b>4.2</b>	<b>RGS201400</b>	<b>145.64 x 3.53</b>	350.0	374.5	8.1	RGS803500	367.67 x 7.00
<b>140.0</b>	<b>155.5</b>	<b>6.3</b>	<b>RGS301400</b>	<b>145.42 x 5.33</b>	<b>360.0</b>	<b>384.5</b>	<b>8.1</b>	<b>RGS803600</b>	<b>367.67 x 7.00</b>
145.0	156.0	4.2	RGS201450	148.82 x 3.53	370.0	391.0	8.1	RGS403700	380.37 x 7.00
145.0	160.5	6.3	RGS301450	151.77 x 5.33	370.0	394.5	8.1	RGS803700	380.37 x 7.00
150.0	165.5	6.3	RGS301500	158.12 x 5.33	380.0	404.5	8.1	RGS803800	393.07 x 7.00
<b>160.0</b>	<b>175.5</b>	<b>6.3</b>	<b>RGS301600</b>	<b>164.47 x 5.33</b>	390.0	414.5	8.1	RGS803900	405.26 x 7.00
<b>160.0</b>	<b>181.0</b>	<b>8.1</b>	<b>RGS401600</b>	<b>170.82 x 7.00</b>	400.0	421.0	8.1	RGS404000	405.26 x 7.00
165.0	180.5	6.3	RGS301650	170.82 x 5.33	400.0	424.5	8.1	RGS804000	417.96 x 7.00
170.0	181.0	4.2	RGS201700	177.39 x 3.53	410.0	434.5	8.1	RGS804100	417.96 x 7.00
170.0	185.5	6.3	RGS301700	177.17 x 5.33	420.0	444.5	8.1	RGS804200	430.66 x 7.00
175.0	190.5	6.3	RGS301750	183.52 x 5.33	430.0	454.5	8.1	RGS804300	443.36 x 7.00
<b>180.0</b>	<b>191.0</b>	<b>4.2</b>	<b>RGS201800</b>	<b>183.74 x 3.53</b>	440.0	464.5	8.1	RGS804400	456.06 x 7.00
<b>180.0</b>	<b>195.5</b>	<b>6.3</b>	<b>RGS301800</b>	<b>189.87 x 5.33</b>	450.0	474.5	8.1	RGS804500	468.76 x 7.00
<b>180.0</b>	<b>201.0</b>	<b>8.1</b>	<b>RGS401800</b>	<b>189.87 x 7.00</b>	460.0	484.5	8.1	RGS804600	468.76 x 7.00
190.0	201.0	4.2	RGS201900	196.44 x 3.53	470.0	494.5	8.1	RGS804700	481.38 x 7.00
190.0	205.5	6.3	RGS301900	196.22 x 5.33	500.0	524.5	8.1	RGS805000	506.86 x 7.00
<b>200.0</b>	<b>215.5</b>	<b>6.3</b>	<b>RGS302000</b>	<b>208.92 x 5.33</b>	550.0	574.5	8.1	RGS805500	557.66 x 7.00
<b>200.0</b>	<b>221.0</b>	<b>8.1</b>	<b>RGS402000</b>	<b>208.90 x 7.00</b>	560.0	584.5	8.1	RGS805600	582.68 x 7.00



Rod Dia.	Groove Dia.	Groove Width	TSS Part No.	O-Ring Size
$d_N$ f8/h9	$D_1$ H9	$L_1$ +0.2		
570.0	594.5	8.1	<a href="#">RGS805700</a>	582.68 x 7.00
580.0	604.5	8.1	<a href="#">RGS805800</a>	608.08 x 7.00
590.0	614.5	8.1	<a href="#">RGS805900</a>	608.08 x 7.00
600.0	624.5	8.1	<a href="#">RGS806000</a>	608.08 x 7.00
630.0	654.5	8.1	<a href="#">RGS806300</a>	658.88 x 7.00
650.0	678.0	9.5	<a href="#">RGS506500</a>	662.90 x 8.40
660.0	688.0	9.5	<a href="#">RGS506600</a>	672.90 x 8.40
670.0	698.0	9.5	<a href="#">RGS506700</a>	682.90 x 8.40
680.0	708.0	9.5	<a href="#">RGS506800</a>	692.90 x 8.40
700.0	724.5	8.1	<a href="#">RGS807000</a>	712.90 x 8.40
800.0	828.0	9.5	<a href="#">RGS508000</a>	812.90 x 8.40
850.0	878.0	9.5	<a href="#">RGS508500</a>	862.90 x 8.40
900.0	928.0	9.5	<a href="#">RGS509000</a>	912.90 x 8.40
950.0	978.0	9.5	<a href="#">RGS509500</a>	962.90 x 8.40
960.0	988.0	9.5	<a href="#">RGS509600</a>	972.90 x 8.40

The rod diameters in **bold** type correspond to the recommendations of ISO 3320.

Part No. for other dimensions and **all** intermediate sizes up to 999.9 mm diameter including imperial (inch) sizes can be supplied.

Larger sizes up to 2,600 mm are available upon request.

---

! This page is intentionally left blank.

# Turcon® AQ-Seal® with Bean Seal



---

Double-acting

---

Rubber-energized plastic-faced seal

**Material:**

Turcon®, and Zurcon® and Elastomer

---





---

! This page is intentionally left blank.



## ■ Turcon® AQ-Seal® with Bean Seal\*



### ■ Description

Turcon® AQ-Seal® with Bean Seal is a double-acting seal consisting of a seal ring of Turcon® material, a Bean Seal in Zurcon® Z54 and an O-Ring as energizing element.

The Turcon® seal ring and the Bean Seal together create the dynamic sealing function while the O-Ring performs the static sealing function.

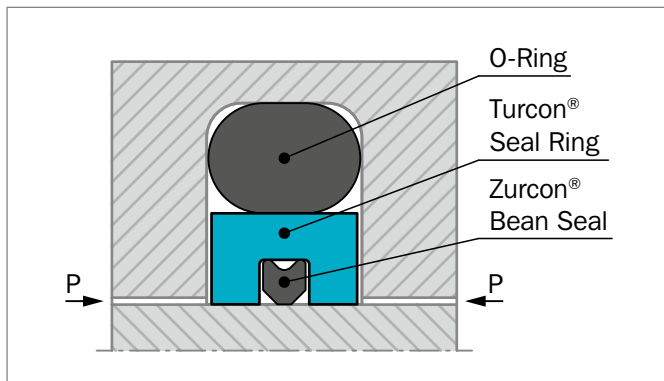


Figure 82: Turcon® AQ-Seal® with Bean Seal

AQ-Seal® with Bean Seal combines the benefits of a low-friction Turcon® slipper seal with the high sealing characteristics of an elastomeric seal by incorporating a limited foot print Bean Seal in the dynamic sealing face. This optimizes leakage control while minimizing friction.

### ADVANTAGES

- High sealing effect in applications requiring media separation, e.g. fluid/fluid or fluid/gas
- Double security through the combination of low friction special materials with elastomer seals
- Higher pressure application, higher sliding speed compared to AQ-Seal® with Quad-Ring®
- Outstanding sliding properties, no stick-slip effect.
- Simple groove design, small installation space. Interchangeable with Turcon® Glyd Ring®, Turcon® Glyd Ring® T and Turcon® Stepseal® 2K groove. Installation according to ISO 7425-2 possible.
- Available for any rod diameters from 18 and up to 2,200 mm.

\* Patent application: WO 90/00693 A1

### APPLICATION EXAMPLES

AQ-Seal® with Bean Seal is the recommended sealing element for double acting positioning and holding cylinders for:

- Mobile hydraulics
- Machine tools
- Presses
- Stabilizers
- Heavy duty suspension cylinders
- Medium separation of fluid /fluid or fluid/gas; please note that one of the media must be lubricating
- Hydro-pneumatic suspensions for heavy vehicles
- Cylinders with retaining function over longer periods such as jacks and support cylinders.

### OPERATING CONDITIONS

<b>Pressure:</b>	Up to 50 MPa with mineral oil Up to 30 MPa for media with reduced lubricating properties
<b>Speed:</b>	Up to 2 m/s with linear movements
<b>Temperature:</b>	-45 °C to +110 °C depending on seal and O-Ring material
<b>Media:</b>	Mineral oil-based hydraulic fluids, flame retardant hydraulic fluids, phosphate ester and others, depending on temperature, seal, O-Ring and Bean Seal material compatibility see Table 59 and Table 60
<b>Clearance:</b>	The maximum permissible radial clearance $S_{max}$ is shown in Table 61 as a function of the operating pressure and functional diameter.

### IMPORTANT NOTE

The above data are maximum values and cannot be used at the same time, e.g. the maximum operating speed depends on material type, pressure, temperature and gap value. Temperature range also depends on media.



### INSTALLATION INSTRUCTIONS

AQ-Seal® V is installed according to information on page 39 and 40.

Closed groove installation applies same dimensions as for Turcon® Stepseal® 2K in Table 6 page 40.

### RECOMMENDED MATERIALS

The following material combinations have proven effective for hydraulic applications:

#### Turcon® AQ-Seal® in Turcon® M12

All round material for light to heavy hydraulic applications with linear, movements in mineral oils, flame retardant hydraulic fluids and phosphate ester:

Bean Seal: Zurcon® Z54

O-Ring: NBR 70 Shore A N  
FKM 70 Shore A V

Set code: M12N or M12V

#### Turcon® AQ-Seal® in Turcon® T46

For medium to heavy applications with linear movements in mineral oils and other media with good lubrication:

Bean Seal: Zurcon® Z54

O-Ring: NBR 70 Shore A N  
FKM 70 Shore A V

Set code: T46N or T46V

For specific applications, all Turcon® materials are available.

Other material combinations are listed in Table 59.

**Table 59: Recommended Turcon® Materials for Turcon® AQ-Seal®**

Material, Applications, Properties	Code	O-Ring Material Shore A	Code	O-Ring Operating Temp. * °C	Mating Surface Material	MPa max. Dynamic
<b>Turcon® M12</b> First material choice for seals in linear motion Overall improved properties For new constructions and updating For all commonly applied hydraulic fluids including fluids with low lubrication performance Lowest friction and best sliding properties Lowest wear on seals Improved absorption of abrasion of counter surface BAM tested Mineral fiber and Additives filled Color: Dark gray	M12	NBR 70	N	-30 to +100	Steel	40
		NBR 70 Low temp.	T	-45 to +80	Steel hardened Steel chrome plated (rod)	
		FKM 70	V	-10 to (+200)	Steel plated (rod) Cast iron Stainless steel Titanium	



Material, Applications, Properties	Code	O-Ring Material Shore A	Code	O-Ring Operating Temp.* °C	Mating Surface Material	MPa max. Dynamic
<b>Turcon® T08</b> For lubricating fluids and linear motion Very high compressive strength and extrusion resistance Hard counter surfaces is recommended Bronze filled Color: Light to dark brown, which may have variations in shading	T08	NBR 70	N	-30 to +100	Steel hardened	50
		NBR 70 Low temp.	T	-45 to +80	Steel chrome plated (rod)	
		FKM 70	V	-10 to (+200)	Cast iron	
<b>Turcon® T10</b> For hydraulic and pneumatic For linear motion in lubricating and non-lubricating fluids High extrusion resistance Good chemical resistance Not for electrically conducting fluids BAM tested Carbon, graphite filled Color: Black	T10	NBR 70	N	-30 to +100	Steel	30
		NBR 70 Low temp.	T	-45 to +80	Steel hardened Steel chrome plated (rod)	
		FKM 70	V	-10 to (+200)	Stainless steel	
<b>Turcon® T29</b> For lubricating and non-lubricating fluids Good extrusion resistance Surface texture is not suitable for gas sealing Not for electrically conducting fluids Carbon fiber filled Color: Gray	T29	NBR 70	N	-30 to +100	Steel	30
		NBR 70 Low temp.	T	-45 to +80	Steel hardened Steel chrome plated (rod)	
		FKM 70	V	-10 to (+200)	Cast iron Stainless steel	
<b>Turcon® T40</b> For lubricating and non-lubricating fluids High frequency and short strokes Water hydraulics Surface texture is not suitable for gas sealing Carbon fiber filled Color: Gray	T40	NBR 70	N	-30 to +100	Steel chrome plated (rod)	25
		NBR 70 Low temp.	T	-45 to +80	Cast iron Stainless steel	
		FKM 70	V	-10 to (+200)	Aluminum	
<b>Turcon® T46</b> For lubricated hydraulics in linear motion High compressive strength High extrusion resistance Very good sliding and wear properties Bronze filled BAM tested Color: Light to dark brown, which may have variations in shading	T46	NBR 70	N	-30 to +100	Steel	40
		NBR 70 Low temp.	T	-45 to +80	Steel hardened Steel chrome plated (rod)	
		FKM 70	V	-10 to (+200)	Cast iron	

Table continues on next page



Material, Applications, Properties	Code	O-Ring Material Shore A	Code	O-Ring Operating Temp. * °C	Mating Surface Material	MPa max. Dynamic
<b>Zurcon® Z80</b> For lubricating and non-lubricating fluids Water based fluids, air and gases Dry air pneumatics High abrasion and extrusion resistance For service in abrasive conditions and media with particles Good chemical resistance Limited temperature capability (-60 to +80 °C) UHMWPE (Ultra High Molecular Weight Polyethylene) Color: White to off-white	Z80	NBR 70	N	-30 to (+100)	Steel	30
		NBR 70 Low temp.	T	-45 to +80	Steel hardened Steel chrome plated (rod) Stainless steel Aluminum Ceramic coating	

\* The O-Ring Operation Temperature is only valid in mineral hydraulic oil (except EPDM).

\*\* Material not suitable for mineral oils.

BAM: Tested by "Bundesanstalt Materialprüfung, Germany"

Highlighted materials are recommended.

**Table 60: Zurcon® Z54 for Bean Seal**

Material, Applications, Properties	Code	O-Ring Material Shore A	Code	O-Ring Operating Temp. * °C	Mating Surface Material	MPa max. Dynamic
<b>Turcon® Z54</b> For mineral oil based fluids Linear and slowly turning movements High sealing effect High abrasion resistance Good extrusion resistance Limited chemical resistance Max. working temperature +110°C Cast Polyurethane Color: Turquoise	Z54	-	-	-	Steel Steel hardened Steel chrome plated (rod) Cast iron Stainless steel Ceramic coating	-



## Installation Recommendation

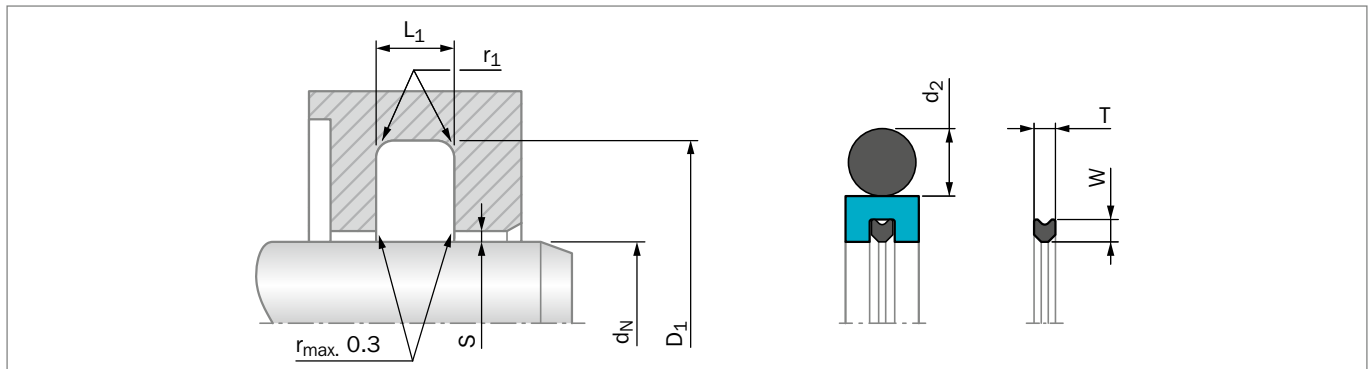


Figure 83: Installation Drawing

Table 61: Installation Dimensions – Standard Installation

Series No.	Rod Diameter $d_N$ f8/h9		Groove Diameter $D_1$ H9	Groove Width $L_1 +0.2$	Radius $r_1$ max	Radial Clearance $S_{max}^*$			O-Ring Cross Section $d_2$	Bean Seal Cross Section	
	Standard Application	Available Range				10 MPa	20 MPa	40 MPa		W	T
RQB20	19 - 37.9	18 - 450.0	$d_N + 10.7$	4.2	1.0	0.25	0.15	0.10	3.53	1.70	1.70
RQB30	38 - 199.9	30 - 650.0	$d_N + 15.1$	6.3	1.3	0.30	0.20	0.15	5.33	1.70	1.70
RQB40	200 - 255.9	105 - 999.9	$d_N + 20.5$	8.1	1.8	0.30	0.20	0.15	7.00	2.45	2.45
RQB80	256 - 649.9	120 - 999.9	$d_N + 24.0$	8.1	1.8	0.30	0.20	0.15	7.00	2.45	2.45
RQB50	650 - 999.9	285 - 999.9	$d_N + 27.3$	9.5	2.5	0.45	0.30	0.25	8.40	3.50	3.65
RQB5X	-	1,000 - 1,200.0	$d_N + 27.3$	9.5	2.5	0.45	0.40	0.35	8.40	3.50	3.65
RQB60**	-	650 - 999.9	$d_N + 38.0$	13.8	3.0	0.70	0.60	0.45	12.00	5.20	5.05
RQB6X**	1,000 - 2,200		$d_N + 38.0$	13.8	3.0	0.70	0.60	0.45	12.00	5.20	5.05

\* At pressures > 40 MPa use diameter tolerance H8/f8 (bore/rod) in the area of the seal use Turcon® AQ-Seal® 5 CR or consult your local Customer Solution Center for alternative material or profiles.

Slydring® / Wear Rings are not applicable at very small radial clearances please consult the Slydring® section in this catalog.

All AQ-Seal® supplied without Bean Seals must have "W" in the 5th character of the TSS Article Number.

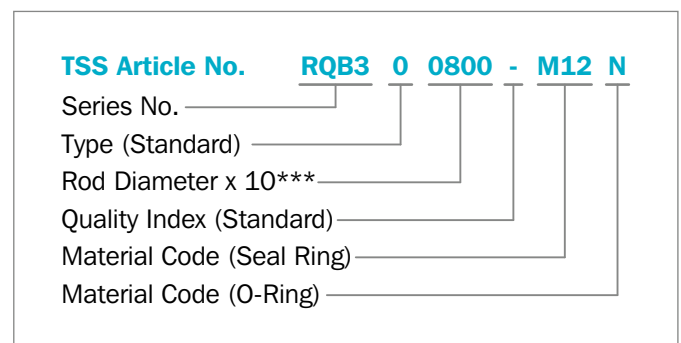
\*\* All O-Rings with 12 mm cross section are delivered as a special profile ring.

## ORDERING EXAMPLE

Turcon® AQ-Seal® complete with Bean Seal and O-Ring, standard application:

<b>Series:</b>	RQB30 from Table 61
<b>Rod diameter:</b>	$d_N = 80.0$ mm
<b>TSS Part No.:</b>	RQB300800 from Table 62

Select the material from Table 59. The corresponding code numbers are appended to the TSS Part No. Together these form the TSS Article Number. The TSS Article Number for all intermediate sizes can be determined by following the example:



\*\*\* For diameters  $d_N \geq 1,000.0$  mm multiply only by factor 1.

Example: RQB5X for diameter  $d_N = 1,200.0$  mm  
TSS Article No.: RQB5X1200-M12N



**Table 62: Installation Dimensions / TSS Part No**

Rod Dia.	Groove Dia.	Groove Width	TSS Part No.	O-Ring Size	Rod Dia.	Groove Dia.	Groove Width	TSS Part No.	O-Ring Size
d <sub>N</sub> f8/h9	D <sub>1</sub> H9	L <sub>1</sub> +0.2			d <sub>N</sub> f8/h9	D <sub>1</sub> H9	L <sub>1</sub> +0.2		
18.0	28.7	4.2	<a href="#">RQB200180</a>	21.82 x 3.53	95.0	110.1	6.3	<a href="#">RQB300950</a>	100.97 x 5.33
20.0	30.7	4.2	<a href="#">RQB200200</a>	25.00 x 3.53	100.0	110.7	4.2	<a href="#">RQB201000</a>	104.37 x 3.53
22.0	32.7	4.2	<a href="#">RQB200220</a>	26.58 x 3.53	100.0	115.1	6.3	<a href="#">RQB301000</a>	107.32 x 5.33
25.0	35.7	4.2	<a href="#">RQB200250</a>	29.75 x 3.53	105.0	115.7	4.2	<a href="#">RQB201050</a>	110.72 x 3.53
28.0	38.7	4.2	<a href="#">RQB200280</a>	32.92 x 3.53	105.0	120.1	6.3	<a href="#">RQB301050</a>	110.49 x 5.33
30.0	40.7	4.2	<a href="#">RQB200300</a>	34.52 x 3.53	110.0	120.7	4.2	<a href="#">RQB201100</a>	113.89 x 3.53
32.0	42.7	4.2	<a href="#">RQB200320</a>	36.09 x 3.53	110.0	125.1	6.3	<a href="#">RQB301100</a>	116.84 x 5.33
35.0	45.7	4.2	<a href="#">RQB200350</a>	40.87 x 3.53	110.0	131.0	8.1	<a href="#">RQB401100</a>	120.02 x 7.00
36.0	46.7	4.2	<a href="#">RQB200360</a>	40.87 x 3.53	115.0	125.7	4.2	<a href="#">RQB201150</a>	120.24 x 3.53
40.0	50.7	4.2	<a href="#">RQB200400</a>	44.04 x 3.53	115.0	130.1	6.3	<a href="#">RQB301150</a>	120.02 x 5.33
40.0	55.1	6.3	<a href="#">RQB300400</a>	46.99 x 5.33	120.0	130.7	4.2	<a href="#">RQB201200</a>	126.59 x 3.53
42.0	52.7	4.2	<a href="#">RQB200420</a>	47.22 x 3.53	120.0	135.1	6.3	<a href="#">RQB301200</a>	126.37 x 5.33
42.0	57.1	6.3	<a href="#">RQB300420</a>	46.99 x 5.33	125.0	135.7	4.2	<a href="#">RQB201250</a>	129.77 x 3.53
45.0	55.7	4.2	<a href="#">RQB200450</a>	50.39 x 3.53	125.0	140.1	6.3	<a href="#">RQB301250</a>	132.72 x 5.33
45.0	60.1	6.3	<a href="#">RQB300450</a>	50.17 x 5.33	130.0	140.7	4.2	<a href="#">RQB201300</a>	136.12 x 3.53
48.0	58.70	4.2	<a href="#">RQB200480</a>	53.57 x 3.55	130.0	145.1	6.3	<a href="#">RQB301300</a>	135.89 x 5.33
48.0	63.1	6.3	<a href="#">RQB300480</a>	53.34 x 5.33	135.0	145.7	4.2	<a href="#">RQB201350</a>	139.29 x 3.53
50.0	60.70	4.2	<a href="#">RQB200500</a>	53.57 x 3.53	135.0	150.1	6.3	<a href="#">RQB301350</a>	142.24 x 5.33
50.0	65.1	6.3	<a href="#">RQB300500</a>	56.52 x 5.33	140.0	150.7	4.2	<a href="#">RQB201400</a>	145.64 x 3.53
52.0	62.7	4.2	<a href="#">RQB200520</a>	56.74 x 3.53	140.0	155.1	6.3	<a href="#">RQB301400</a>	145.42 x 5.33
52.0	67.1	6.3	<a href="#">RQB300520</a>	56.52 x 5.33	145.0	155.7	4.2	<a href="#">RQB201450</a>	148.82 x 3.53
55.0	65.7	4.2	<a href="#">RQB200550</a>	59.92 x 3.53	145.0	160.1	6.3	<a href="#">RQB301450</a>	151.77 x 5.33
55.0	70.1	6.3	<a href="#">RQB300550</a>	59.69 x 5.33	150.0	165.1	6.3	<a href="#">RQB301500</a>	158.12 x 5.33
56.0	66.7	4.2	<a href="#">RQB200560</a>	59.92 x 3.53	160.0	175.1	6.3	<a href="#">RQB301600</a>	164.47 x 5.33
56.0	71.1	6.3	<a href="#">RQB300560</a>	62.87 x 5.33	160.0	180.5	8.1	<a href="#">RQB401600</a>	170.82 x 7.00
60.0	70.7	4.2	<a href="#">RQB200600</a>	63.09 x 3.53	165.0	180.1	6.3	<a href="#">RQB301650</a>	170.82 x 5.33
60.0	75.1	6.3	<a href="#">RQB300600</a>	66.04 x 5.33	170.0	180.7	4.2	<a href="#">RQB201700</a>	177.39 x 3.53
63.0	73.7	4.2	<a href="#">RQB200630</a>	66.27 x 3.53	170.0	185.1	6.3	<a href="#">RQB301700</a>	177.17 x 5.33
63.0	78.1	6.3	<a href="#">RQB300630</a>	69.22 x 5.33	175.0	190.1	6.3	<a href="#">RQB301750</a>	183.52 x 5.33
65.0	80.1	6.3	<a href="#">RQB300650</a>	72.39 x 5.33	180.0	190.7	4.2	<a href="#">RQB201800</a>	183.74 x 3.53
70.0	80.7	4.2	<a href="#">RQB200700</a>	75.79 x 3.53	180.0	195.1	6.3	<a href="#">RQB301800</a>	189.87 x 5.33
70.0	85.1	6.3	<a href="#">RQB300700</a>	75.57 x 5.33	180.0	200.5	8.1	<a href="#">RQB401800</a>	189.87 x 7.00
75.0	85.7	4.2	<a href="#">RQB200750</a>	78.97 x 3.53	190.0	201.0	4.2	<a href="#">RQB201900</a>	196.44 x 3.53
75.0	90.1	6.3	<a href="#">RQB300750</a>	81.92 x 5.33	190.0	205.1	6.3	<a href="#">RQB301900</a>	196.22 x 5.33
80.0	90.7	4.2	<a href="#">RQB200800</a>	85.32 x 3.53	200.0	215.1	6.3	<a href="#">RQB302000</a>	208.92 x 5.33
80.0	95.1	6.3	<a href="#">RQB300800</a>	85.09 x 5.33	200.0	220.5	8.1	<a href="#">RQB402000</a>	208.92 x 7.00
85.0	100.1	6.3	<a href="#">RQB300850</a>	91.44 x 5.33	210.0	225.1	6.3	<a href="#">RQB302100</a>	215.27 x 5.33
90.0	100.7	4.2	<a href="#">RQB200900</a>	94.84 x 3.53	220.0	235.1	6.3	<a href="#">RQB302200</a>	227.97 x 5.33
90.0	105.1	6.3	<a href="#">RQB300900</a>	97.79 x 5.33	220.0	240.5	8.1	<a href="#">RQB402200</a>	227.97 x 7.00
95.0	105.7	4.2	<a href="#">RQB200950</a>	101.19 x 3.53	230.0	245.1	6.3	<a href="#">RQB302300</a>	234.32 x 5.33



Rod Dia.	Groove Dia.	Groove Width	TSS Part No.	O-Ring Size
$d_N$ f8/h9	$D_1$ H9	$L_1$ +0.2		
230.0	250.5	8.1	RQB402300	240.67 x 7.00
240.0	255.1	6.3	RQB302400	247.02 x 5.33
240.0	260.5	8.1	RQB402400	253.37 x 7.00
<b>250.0</b>	<b>270.5</b>	<b>8.1</b>	<b>RQB402500</b>	<b>266.07 x 7.00</b>
260.0	284.0	8.1	RQB802600	266.07 x 7.00
270.0	290.5	8.1	RQB402700	278.77 x 7.00
270.0	294.0	8.1	RQB802700	278.77 x 7.00
<b>280.0</b>	<b>300.5</b>	<b>8.1</b>	<b>RQB402800</b>	<b>291.47 x 7.00</b>
<b>280.0</b>	<b>304.0</b>	<b>8.1</b>	<b>RQB802800</b>	<b>291.47 x 7.00</b>
300.0	324.0	8.1	RQB803000	316.87 x 7.00
<b>320.0</b>	<b>344.0</b>	<b>8.1</b>	<b>RQB803200</b>	<b>329.57 x 7.00</b>
350.0	370.5	8.1	RQB403500	354.97 x 7.00
350.0	374.0	8.1	RQB803500	367.67 x 7.00
<b>360.0</b>	<b>384.0</b>	<b>8.1</b>	<b>RQB803600</b>	<b>367.67 x 7.00</b>
400.0	420.5	8.1	RQB404000	405.26 x 7.00
400.0	424.0	8.1	RQB804000	417.96 x 7.00
450.0	474.0	8.1	RQB804500	468.76 x 7.00
500.0	524.0	8.1	RQB805000	506.86 x 7.00
550.0	574.0	8.1	RQB805500	557.66 x 7.00
600.0	624.0	8.1	RQB806000	608.08 x 7.00
650.0	677.3	9.5	RQB506500	663.00 x 8.40
700.0	724.0	8.1	RQB807000	712.00 x 7.00
800.0	827.3	9.5	RQB508000	813.00 x 8.40
900.0	927.3	9.5	RQB509000	913.00 x 8.40
1,000.0	1,027.3	9.5	RQB5X1000	1,013.00 x 8.40
1,000.0	1,038.0	13.8	RQB6X1000	1,016.00 x 12.00
1,100.0	1,138.0	13.8	RQB6X1100	1,116.00 x 12.00
1,200.0	1,227.3	9.5	RQB5X1200	1,213.00 x 8.40
1,200.0	1,238.0	13.8	RQB6X1200	1,216.00 x 12.00
1,300.0	1,338.0	13.8	RQB6X1300	1,316.00 x 12.00
1,500.0	1,538.0	13.8	RQB6X1500	1,516.00 x 12.00
2,000.0	2,038.0	13.8	RQB6X2000	2,016.00 x 12.00
2,200.0	2,238.0	13.8	RQB6X2200	2,216.00 x 12.00

The rod diameters in **bold** type are in accordance with the recommendations of ISO 3320.

Other dimensions and all intermediate sizes up to 2,200 mm diameter, including imperial (inch) sizes converted to mm, can be supplied.

All O-Rings with 12 mm cross section are delivered as special profiling.



---

! This page is intentionally left blank.

# Turcon® AQ-Seal® 5 with Bean Seal



---

Double-acting

---

Rubber-energized plastic-faced seal

**Material:**

Turcon®, Zurcon® and Elastomer

---



---

! This page is intentionally left blank.



## Turcon® AQ-Seal® 5 with Bean Seal\*



### Description

Turcon® AQ-Seal® 5 with Bean Seal is a patented development of the proven standard Turcon® AQ-Seal®.

The particular characteristics of AQ-Seal® 5 with Bean Seal are the seal profile with a defined seal edge and the use of two O-Rings as energizing elements to optimize the pressure profile and to reduce the gas permeability.

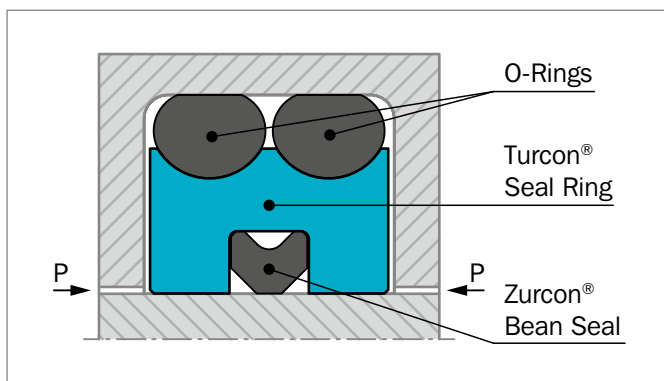


Figure 84: Turcon® AQ-Seal® 5 with Bean Seal

AQ-Seal® 5 with Bean Seal combines the benefits of a low-friction Turcon® slipper seal with the high sealing characteristics of an elastomeric seal by incorporating a limited foot print Bean Seal in the dynamic sealing face. This optimizes leakage control while minimizing friction.

### ADVANTAGES

- High sealing effect in applications requiring media separation, e.g. fluid/fluid or fluid/gas
- Double security through the combination of low-friction special materials with elastomer seals
- Higher pressure application, higher sliding speed compared to AQ-Seal® 5 with Quad-Ring®
- Outstanding sliding properties, no stick-slip effect.
- Available for any rod diameters from 32 mm and up to 2,200 mm

### APPLICATION EXAMPLES

TurconAQ-Seal® 5 is mainly designed for heavy duty and large diameter applications and is recommended as double acting piston seal for hydraulic equipment such as:

- Mobile hydraulics
- Presses
- Stabilizers
- Heavy duty suspension cylinders
- Media separation of fluid /fluid or fluid/gas; please note that one of the media must be lubricating
- Hydro-pneumatic suspensions for heavy vehicles
- Cylinders with retaining function over longer periods such as jacks and support cylinders

### OPERATING CONDITIONS

<b>Pressure:</b>	Up to 60 MPa with mineral oil Up to 40 MPa for media with low lubricating properties
<b>Speed:</b>	Up to 3 m/s with linear movements
<b>Temperature:</b>	-45 °C to +110 °C depending on seal, O-Ring and Bean Seal material
<b>Media:</b>	Mineral oil-based hydraulic fluids, flame retardant hydraulic fluids, phosphate ester and others, depending on temperature, seal, O-Ring and Bean Seal material compatibility see Table 63.
<b>Clearance:</b>	The maximum permissible radial clearance $S_{max}$ is shown in Table 65 as a function of the operating pressure and functional diameter.

### IMPORTANT NOTE

The above data are maximum values and cannot be used at the same time, e.g. the maximum operating speed depends on material type, pressure, temperature and gap value. Temperature range also depends on media.

\* Patent application: WO 90/00693 A1



## INSTALLATION INSTRUCTIONS

AQ-Seal® 5 is installed according to information on page 39 and 40.

## RECOMMENDED MATERIALS

The following material combinations have proven effective for hydraulic applications:

### **Turcon® AQ-Seal® 5 in Turcon® M12**

All round material for light to heavy hydraulic applications with linear movements in mineral oils, flame retardant hydraulic fluids and phosphate ester.

Bean Seal: Zurcon® Z54

O-Ring: NBR 70 Shore A N  
FKM 70 Shore A V

Set code: M12N or M12V

### **Turcon® AQ-Seal® 5 in Turcon® T46**

For medium to heavy applications with linear movements in mineral oils and other media with good lubrication:

Bean Seal: Zurcon® Z54

O-Ring: NBR 70 Shore A N  
FKM 70 Shore A V

Set code: T46N or T46V

For specific applications, all Turcon® materials are available. Other material combinations are listed in Table 63.

**Table 63: Recommended Turcon® Materials for Turcon® AQ-Seal® 5**

Material, Applications, Properties	Code	O-Ring Material Shore A	Code	O-Ring Operating Temp. * °C	Mating Surface Material	MPa max. Dynamic
<b>Turcon® M12</b> First material choice for seals in linear motion Overall improved properties For new constructions and updating For all commonly applied hydraulic fluids including fluids with low lubrication performance Lowest friction and best sliding properties Lowest wear on seals Improved absorption of abrasive contaminants Low wear or abrasion of counter surface BAM tested Mineral fiber and Additives filled Color: Dark gray	M12	NBR 70	N	-30 to +100	Steel	50
		NBR 70 Low temp.	T	-45 to +80	Steel hardened Steel chrome plated (rod)	
		FKM 70	V	-10 to (+200)	Steel plated (rod) Cast iron Stainless steel Titanium	
<b>Turcon® T08</b> For lubricating fluids and linear motion Very high compressive strength and extrusion resistance Hard counter surfaces is recommended Bronze filled Color: Light to dark brown, which may have variations in shading	T08	NBR 70	N	-30 to +100	Steel hardened Steel chrome plated (rod) Cast iron	60
		NBR 70 Low temp.	T	-45 to +80		
		FKM 70	V	-10 to (+200)		
<b>Turcon® T10</b> For hydraulic and pneumatic For linear motion in lubricating and non-lubricating fluids High extrusion resistance Good chemical resistance Not for electrically conducting fluids Carbon, graphite filled BAM tested Color: Black	T10	NBR 70	N	-30 to +100	Steel	40
		NBR 70 Low temp.	T	-45 to +80	Steel chrome plated (rod)	
		FKM 70	V	-10 to (+200)	Stainless steel	
<b>Turcon® T29</b> For lubricating and non-lubricating fluids Good extrusion resistance Surface texture is not suitable for gas sealing Not for electrically conducting fluids Carbon fiber filled Color: Gray	T29	NBR 70	N	-30 to +100	Steel	30
		NBR 70 Low temp.	T	-45 to +80	Steel chrome plated (rod)	
		FKM 70	V	-10 to (+200)	Cast iron Stainless steel	

Table continues on next page



Material, Applications, Properties	Code	O-Ring Material Shore A	Code	O-Ring Operating Temp.* °C	Mating Surface Material	MPa max. Dynamic
<b>Turcon® T40</b> For lubricating and non-lubricating fluids High frequency and short strokes Water hydraulics Surface texture is not suitable for gas sealing Carbon fiber filled Color: Gray	T40	NBR 70	N	-30 to +100	Steel	25
		NBR 70 Low temp.	T	-45 to +80	Steel chrome plated (rod)	
		FKM 70	V	-10 to (+200)	Cast iron Stainless steel Aluminum	
<b>Turcon® T46</b> For lubricated hydraulics in linear motion High compressive strength High extrusion resistance Very good sliding and wear properties Bronze filled BAM tested Color: Light to dark brown, which may have variations in shading.	T46	NBR 70	N	-30 to +100	Steel hardened	50
		NBR 70 Low temp.	T	-45 to +80	Steel chrome plated (rod)	
		FKM 70	V	-10 to (+200)	Cast iron	
<b>Zurcon® Z80</b> For lubrication and non-lubrication fluids Water based fluids, air and gases Dry air pneumatics High abrasion and extrusion resistance For service in abrasive conditions and media with particles Good chemical resistance Limited temperature capability (-60 to +80 °C) UHMWPE (Ultra High Molecular Weight Polyethylene) Color: White to off-white	Z80	NBR 70	N	-30 to (+100)	Steel	35
		NBR 70 Low temp.	T	-45 to +80	Steel hardened Steel chrome plated (rod) Stainless steel Aluminum Ceramic coating	

\* The O-Ring Operation Temperature is only valid in mineral hydraulic oil.

BAM: Tested by "Bundesanstalt Materialprüfung, Germany"

Highlighted materials are recommended.

**Table 64: Zurcon® Z54 for Bean Seal**

Material, Applications, Properties	Code	O-Ring Material Shore A	Code	O-Ring Operating Temp.* °C	Mating Surface Material
<b>Zurcon® Z54</b> For mineral oil based fluids Linear and slowly turning movements High sealing effect High abrasion resistance Good extrusion resistance Limited chemical resistance Max. working temperature +110 °C Cast Polyurethane Color: Turquoise	Z54	-	-	-	Steel Steel hardened Steel chrome plated (rod) Cast iron Stainless steel Ceramic coating



## Installation Recommendation

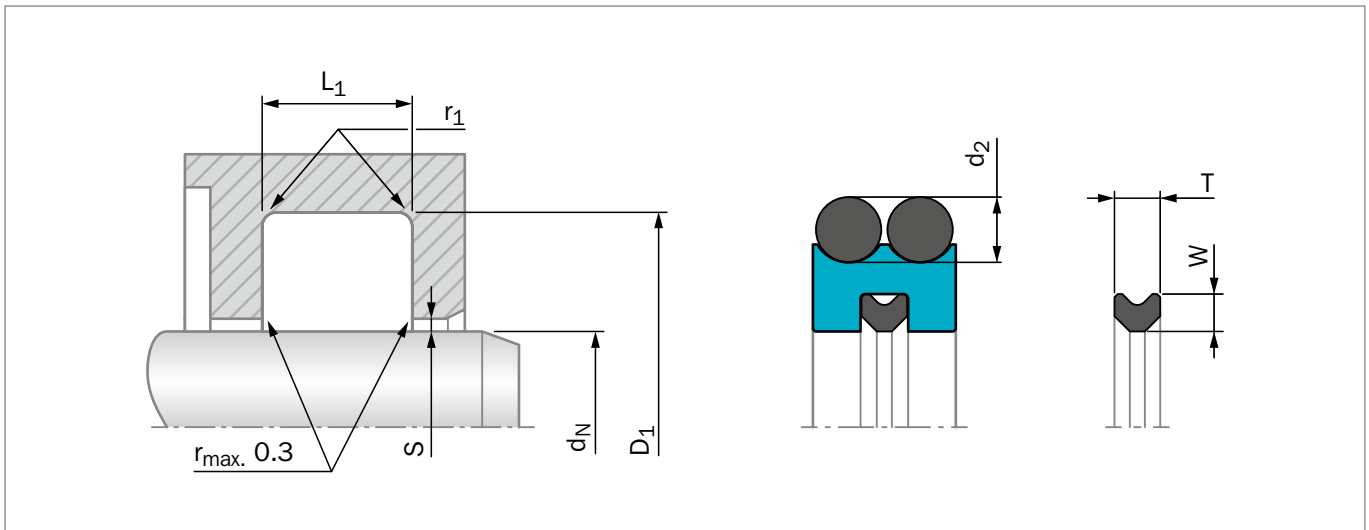


Figure 85: Installation Drawing

**Table 65: Installation Dimensions – Standard installation**

Series No.	Rod Diameter $d_N$ f8/h9		Groove Diameter $D_1$ H9	Groove Width $L_1$ +0.2	Radius $r_{1max}$	Radial Clearance $S_{max}^*$			O-Ring Cross Section $d_2$	Bean Seal Cross Section	
	Standard Application	Available Range				10 MPa	20 MPa	40 MPa		W	T
RQC10	40 - 79.9	32 - 250.0	$d_N + 10.0$	6.3	0.6	0.30	0.20	0.15	2.62	1.70	1.70
RQC20	80 - 132.9	50 - 450.0	$d_N + 13.0$	8.3	1.0	0.40	0.30	0.15	3.53	2.52	2.65
RQC30	133 - 462.9	80 - 650.0	$d_N + 18.0$	12.3	1.3	0.40	0.30	0.20	5.33	3.50	3.65
RQC40	463 - 999.9	180 - 999.9	$d_N + 31.0$	16.3	1.8	0.50	0.40	0.30	7.00	5.20	5.05
RQC4X	1,000 - 2,200.0	1,000 - 2,200.0	$d_N + 31.0$	16.3	1.8	0.50	0.40	0.30	7.00	5.20	5.05

\*At pressures > 40 MPa use diameter tolerance H8/f8 (bore/rod) in the area of the seal use Turcon® AQ-Seal® 5 CR or consult your local Customer Solution Center for alternative material or profiles.

Slydring® / Wear Rings are not applicable at very small radial clearances please consult the Slydring® section in this catalog.

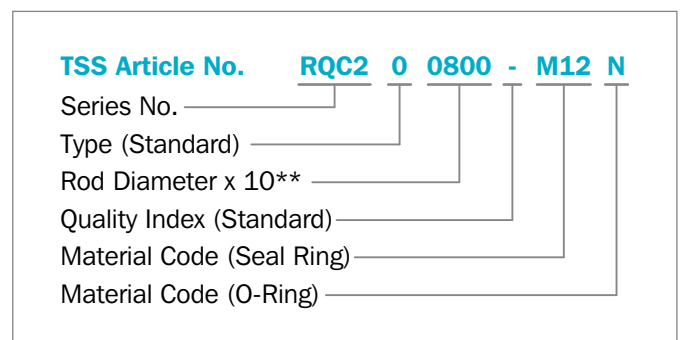
All AQ-Seal® supplied without Bean Seals must have "W" in the 5th character of the TSS Article Number.

### ORDERING EXAMPLE

AQ-Seal® 5 complete with Bean Seal and O-Rings, standard application:

<b>Series:</b>	RQC20 from Table 65
<b>Rod diameter:</b>	$d_N = 80.0$ mm
<b>TSS Part No.:</b>	RQC200800 from Table 66

Select the material from Table 63. The corresponding code numbers are appended to the TSS Part No. Together these form the TSS Article Number. The TSS Article Number for all intermediate sizes can be determined by following the example:



\*\* For diameters  $d_N \geq 1,000.0$  mm multiply only by factor 1.

Example: RQC4X for diameter  $d_N = 1,200.0$  mm

TSS Article No.: RQC4X1200-M12N





**Table 66: Installation Dimensions / TSS Part No.**

Rod Dia.	Groove Dia.	Groove Width	TSS Part No.	O-Ring Size	Rod Dia.	Groove Dia.	Groove Width	TSS Part No.	O-Ring Size
$d_N$ f8/h9	$D_1$ H9	$L_1$ +0.2			$d_N$ f8/h9	$D_1$ H9	$L_1$ +0.2		
<b>40.0</b>	<b>50.0</b>	<b>6.3</b>	<b>RQC100400</b>	<b>44.12 x 2.62</b>	<b>160.0</b>	<b>178.0</b>	<b>12.3</b>	<b>RQC301600</b>	<b>164.47 x 5.33</b>
42.0	52.0	6.3	RQC100420	47.29 x 2,62	170.0	188.0	12.3	RQC301700	177.17 x 5.33
<b>45.0</b>	<b>55.0</b>	<b>6.3</b>	<b>RQC100450</b>	<b>50.47 x 2.62</b>	<b>180.0</b>	<b>198.0</b>	<b>12.3</b>	<b>RQC301800</b>	<b>183.52 x 5.33</b>
48.0	58.0	6.3	RQC100480	52.07 x 2.62	190.0	208.0	12.3	RQC301900	196.22 x 5.33
<b>50.0</b>	<b>60.0</b>	<b>6.3</b>	<b>RQC100500</b>	<b>55.25 x 2.62</b>	<b>200.0</b>	<b>218.0</b>	<b>12.3</b>	<b>RQC302000</b>	<b>208.92 x 5.33</b>
<b>50.0</b>	<b>63.0</b>	<b>8.3</b>	<b>RQC200500</b>	<b>56.74 x 3.53</b>	<b>220.0</b>	<b>238.0</b>	<b>12.3</b>	<b>RQC302200</b>	<b>227.97 x 5.33</b>
52.0	62.0	6.3	RQC100520	56.82 x 2.62	230.0	248.0	12.3	RQC302300	234.32 x 5.33
55.0	65.0	6.3	RQC100550	59.99 x 2.62	240.0	258.0	12.3	RQC302400	247.02 x 5.33
<b>56.0</b>	<b>66.0</b>	<b>6.3</b>	<b>RQC100560</b>	<b>61.60 x 2.62</b>	<b>250.0</b>	<b>258.0</b>	<b>12.3</b>	<b>RQC302500</b>	<b>253.37 x 5.33</b>
<b>56.0</b>	<b>69.0</b>	<b>8.3</b>	<b>RGC200560</b>	<b>63.09 x 3.53</b>	280.0	298.0	12.3	RQC302800	291.47 x 5.33
60.0	70.0	6.3	RQC100600	64.77 x 2.62	300.0	318.0	12.3	RQC303000	304.17 x 5.33
60.0	73.0	8.3	RQC200600	66.27 x 3.53	<b>320.0</b>	<b>338.0</b>	<b>12.3</b>	<b>RQC303200</b>	<b>329.57 x 5.33</b>
<b>63.0</b>	<b>73.0</b>	<b>6.3</b>	<b>RQC100630</b>	<b>67.95 x 2.62</b>	350.0	368.0	12.3	RQC303500	354.97 x 5.33
<b>63.0</b>	<b>76.0</b>	<b>8.3</b>	<b>RQC200630</b>	<b>69.44 x 3.53</b>	400.0	418.0	12.3	RQC304000	405.26 x 5.33
65.0	75.0	6.3	RQC100650	69.52 X 2.62	420.0	438.0	12.3	RQC304200	430.66 x 5.33
<b>70.0</b>	<b>80.0</b>	<b>6.3</b>	<b>RQC100700</b>	<b>75.87 X 2.62</b>	450.0	468.0	12.3	RQC304500	456.06 x 5.33
<b>70.0</b>	<b>83.0</b>	<b>8.3</b>	<b>RQC200700</b>	<b>75.79 X 3.53</b>	465.0	496.0	16.3	RQC404650	481.38 x 7.00
75.0	85.0	6.3	RQC100750	82.22 X 2.62	480.0	511.0	16.3	RQC404800	494.16 x 7.00
75.0	88.0	8.3	RQC200750	82.14 X 3.53	500.0	531.0	16.3	RQC405000	506.86 x 7.00
<b>80.0</b>	<b>90.0</b>	<b>6.3</b>	<b>RQC100800</b>	<b>82.22 x 2.62</b>	550.0	581.0	16.3	RQC405500	557.66 x 7.00
<b>80.0</b>	<b>93.0</b>	<b>8.3</b>	<b>RQC200800</b>	<b>85.32 x 3.53</b>	600.0	631.0	16.3	RQC406000	608.08 x 7.00
85.0	98.0	8.3	RQC200850	91.67 x 3,53	650.0	681.0	16.3	RQC406500	668.00 x 7.00
<b>90.0</b>	<b>100.0</b>	<b>6.3</b>	<b>RQC100900</b>	<b>94.92 x 2.62</b>	700.0	731.0	16.3	RQC407000	718.00 x 7.00
<b>90.0</b>	<b>103.0</b>	<b>8.3</b>	<b>RQC200900</b>	<b>94.84 x 3.53</b>	750.0	781.0	16.3	RQC407500	768.00 x 7.00
95.0	108.0	8.3	RQC200950	101.19 x 3.53	800.0	831.0	16.3	RQC408000	818.00 x 7.00
<b>100.0</b>	<b>110.0</b>	<b>6.3</b>	<b>RQC101000</b>	<b>101.27 x 2.62</b>	850.0	881.0	16.3	RQC408500	868.00 x 7.00
<b>100.0</b>	<b>113.0</b>	<b>8.3</b>	<b>RQC201000</b>	<b>104.37 x 3.53</b>	900.0	931.0	16.3	RQC409000	918.00 x 7.00
105.0	118.0	8.3	RQC201050	110.72 x 3.53	950.0	981.0	16.3	RQC409500	968.00 x 7.00
<b>110.0</b>	<b>120.0</b>	<b>6.3</b>	<b>RQC101100</b>	<b>113.97 x 2.62</b>	1,000.0	1,031.0	16.3	RQC4X1000	1,018.00 x 7.00
<b>110.0</b>	<b>123.0</b>	<b>8.3</b>	<b>RQC201100</b>	<b>117.07 x 3.53</b>	1,050.0	1,081.0	16.3	RQC4X1050	1,068.00 x 7.00
115.0	128.0	8.3	RQC201150	120,24 x 3,53	1,200.0	1,231.0	16.3	RQC4X1200	1,218.00 x 7.00
120.0	133.0	8.3	RQC201200	126.59 x 3.53	1,300.0	1,331.0	16.3	RQC4X1300	1,318.00 x 7.00
120.0	138.0	12.3	RQC301200	126.37 x 5.33	1,400.0	1,431.0	16.3	RQC4X1400	1,418.00 x 7.00
<b>125.0</b>	<b>138.0</b>	<b>8.3</b>	<b>RQC201250</b>	<b>129.77 x 3.53</b>	1,500.0	1,531.0	16.3	RQC4X1500	1,518.00 x 7.00
<b>125.0</b>	<b>143.0</b>	<b>12.3</b>	<b>RQC301250</b>	<b>132.72 x 5.33</b>	2,000.0	2,031.0	16.3	RQC4X2000	2,018.00 x 7.00
130.0	143.0	8.3	RQC201300	136.12 x 3.53	2,200.0	2,231.0	16.3	RQC4X2200	2,218.00 x 7.00
130.0	148.0	12.3	RQC301300	135.89 x 5.33	<p>The rod diameters in <b>bold</b> type are in accordance with the recommendations of ISO 3320.</p> <p>Other dimensions and all intermediate sizes up to 2,200 mm diameter, including imperial (inch) sizes converted to mm, can be supplied.</p>				
135.0	148.0	8.3	RQC201350	139.29 x 3.53					
135.0	153.0	12.3	RQC301350	142.24 x 5.33					
140.0	158.0	12.3	RQC301400	145.42 x 5.33					
150.0	168.0	12.3	RQC301500	158.12 x 5.33					
<b>160.0</b>	<b>173.0</b>	<b>8.3</b>	<b>RQC201600</b>	<b>164.69 x 3.53</b>					

# Zurcon® Wynseal M



---

Double-acting

---

Rubber-energized plastic-faced seal

**Material:**

Turcon®, Zurcon® and Elastomer

---



---

! This page is intentionally left blank.



## Zurcon® Wynseal M



### Description

Zurcon® Wynseal M for rod sealing is a modified machined version of the Zurcon® Wynseal design.

Zurcon® Wynseal M is a double-acting seal consisting of a Zurcon® or Turcon® seal ring and an O-Ring as energizing element - Figure 86.

The seal is designed with a seal edge profile. Two seal edges act as primary seal for pressures from both sides and prevent build-up of hydrodynamic pressure over the seal profile and the risk of blow-by effect. The central sealing and supporting rib increases the sealing effect\*.

Radial notches are provided on both sides to provide activation of the energizing O-Ring. These ensure direct pressure loading of the seal under all operating conditions.

Installation groove is identical to that of Turcon® Glyd Ring®.

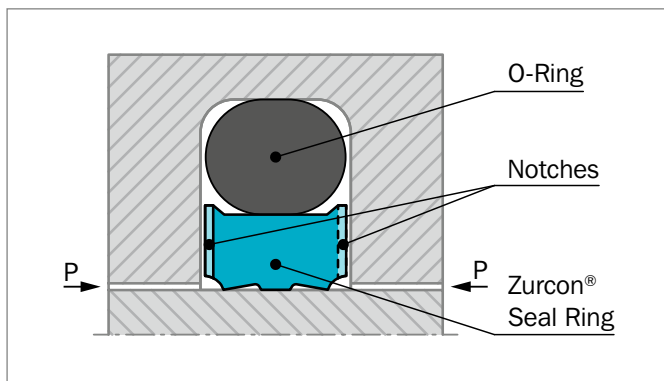


Figure 86: Zurcon® Wynseal M

\* Only from RW52 and the following Series No.; RW50 is without seal edge profile and RW51 is without supporting rib.

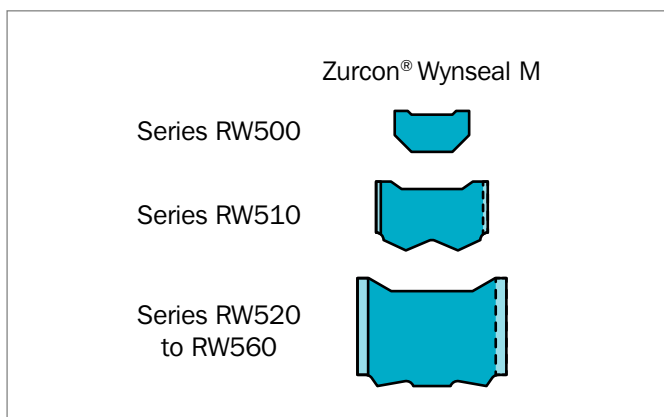


Figure 87: Zurcon® Wynseal M series profile

### ADVANTAGES

- High static and dynamic sealing effect
- High abrasion resistance (Zurcon® materials)
- Simple groove design, one-piece piston possible
- Diameter range - from 3 to 2,600 mm
- Fits Stepseal® 2K groove as well as ISO 7425-2 seal housing
- Low friction
- Higher temperature (Turcon® materials)
- Higher pressure
- High chemical resistance

### APPLICATION EXAMPLES

Zurcon® Wynseal M is used as double acting rod seal for hydraulic components in applications such as:

- Machine tools
- Forklifts & handling machinery
- Agriculture
- Industrial hydraulics light to medium duty



## OPERATING CONDITIONS

<b>Pressure:</b>	Up to 50 MPa
<b>Speed:</b>	Up to 10 m/s
<b>Temperature:</b>	-45 °C to +200 °C depending on seal and O-Ring material
<b>Media:</b>	Mineral oil-based hydraulic fluids, flame retardant hydraulic fluids, environmentally friendly hydraulic fluids (bio-oils), phosphate ester, water and others, depending on temperature, seal and O-Ring material compatibility - see Table 67.
<b>Clearance:</b>	The maximum permissible radial clearance $S_{max}$ is shown in Table 68, as a function of the operating pressure and functional diameter.

### IMPORTANT NOTE

The above data are maximum values and cannot be used at the same time, e.g. the maximum operating speed depends on material type, pressure, temperature and gap value. Temperature range also depends on media.

## INSTALLATION INSTRUCTIONS

Wynseal® M is installed according to information on page 39 to page 40.

Closed groove installation applies same dimensions as for Turcon® Stepseal® 2K in Table 6 page 40.

## RECOMMENDED MATERIALS

The following material combinations have proven effective for hydraulic applications:

### Turcon® Wynseal M in Zurcon® Z54

For light to medium hydraulic applications with linear movements in mineral oils and other media with good lubrication:

O-Ring: NBR 70 Shore A N

Set code: Z54N

### Turcon® Wynseal M in Turcon® M12

All round material for light to heavy hydraulic applications with linear, short stroke or helical movements in mineral oils, flame retardant hydraulic fluids, phosphate ester, bio-oils or fluids having low lubricating properties:

O-Ring: NBR 70 Shore A N  
FKM 70 Shore A V

Set code: M12N or M12V

For specific applications, all Turcon® materials are available.

Other material combinations are listed in Table 67.

**Table 67: Turcon® and Zurcon® Materials for Zurcon® Wynseal M**

Material, Applications, Properties	Code	O-Ring Material Shore A	Code	O-Ring Operating Temp.* °C	Mating Surface Material	MPa max. Dynamic
<b>Turcon® M12</b> First material choice for seals in linear motion Overall improved properties For new constructions and updating For all commonly applied hydraulic fluids including fluids with low lubrication performance Lowest friction and best sliding properties Lowest wear on seals Improved absorption of abrasive contaminants Low wear or abrasion of counter surface BAM tested Mineral fiber and Additives filled Color: Dark gray	M12	NBR 70	N	-30 to +100	Steel	35
		NBR 70 Low temp.	T	-45 to +80	Steel hardened Steel chrome plated (rod)	
		FKM 70	V	-10 to +200	Steel plated (rod) Cast iron Stainless steel Titanium	
<b>Turcon® T08</b> For lubricating fluids and linear motion Very high compressive strength and extrusion resistance Hard counter surfaces is recommended Bronze filled Color: Light to dark brown, which may have variations in shading	T08	NBR 70	N	-30 to +100	Steel hardened	50
		NBR 70 Low temp.	T	-45 to +80	Steel chrome plated (rod)	
		FKM 70	V	-10 to +200	Cast iron	
<b>Turcon® T40</b> For lubricating and non-lubricating fluids High frequency and short strokes Water hydraulics Surface texture is not suitable for gas sealing Carbon fiber filled Color: Gray	T40	NBR 70	N	-30 to +100	Steel	25
		NBR 70 Low temp.	T	-45 to +80	Steel hardened Steel chrome plated (rod)	
		FKM 70	V	-10 to +200	Cast iron	
		EPDM 70	E**	-45 to +145	Stainless steel Aluminum	
<b>Turcon® T46</b> For lubricated hydraulics in linear motion High compressive strength High extrusion resistance Very good sliding and wear properties BAM tested Bronze filled Color: Light to dark brown, which may have variations in shading.	T46	NBR 70	N	-30 to +100	Steel hardened	35
		NBR 70 Low temp.	T	-45 to +80	Steel chrome plated (rod)	
		FKM 70	V	-10 to +200	Cast iron	

Table continues on next page



Material, Applications, Properties	Code	O-Ring Material Shore A	Code	O-Ring Operating Temp.* °C	Mating Surface Material	MPa max. Dynamic
<b>Zurcon® Z53***</b> For mineral oil based fluids Very high abrasion and extrusion resistance For counter surface with rougher surface finish Limited chemical resistance Max. working temperature +110 °C Cast polyurethane Color: Yellow to light-brown	Z53	NBR 70	N	-30 to +100	Steel	45
		NBR 70 Low temp.	T	-45 to +80	Steel hardened Steel chrome plated (rod) Cast iron Stainless steel Ceramic coating	
<b>Zurcon® Z54***</b> For mineral oil based fluids Linear and slowly turning movements High abrasion resistance For counter surface with rougher surface finish Good extrusion resistance Limited chemical resistance Max. working temperature +110 °C Cast polyurethane Color: Turquoise	Z54	NBR 70	N	-30 to +100	Steel	25
		NBR 70 Low temp.	T	-45 to +80	Steel hardened Steel chrome plated (rod) Cast iron Stainless steel Ceramic coating	
<b>Zurcon® Z80</b> For lubricating and non-lubricating fluids Water based fluids, air and gases Dry air pneumatics High abrasion and extrusion resistance For service in abrasive conditions and media with particles Good chemical resistance Limited temperature capability (-60 to +80 °C) UHMWPE (Ultra High Molecular Weight Polyethylene) Color: White to off-white	Z80	NBR 70	N	-30 to (+100)	Steel	30
		NBR 70 Low temp.	T	-45 to +80	Steel hardened Steel chrome plated (rod)	
		EPDM 70	E**	-45 to (+145)	Stainless steel Aluminum Bronze Ceramic coating	

\* The O-Ring Operation Temperature is only valid in mineral hydraulic oil - except EPDM.

\*\* Material not suitable for mineral oils.

\*\*\* Max. diameter 2,200 mm

BAM Tested by "Bundesanstalt Materialprüfung, Germany"

   Highlighted materials are recommended.



## Installation Recommendation

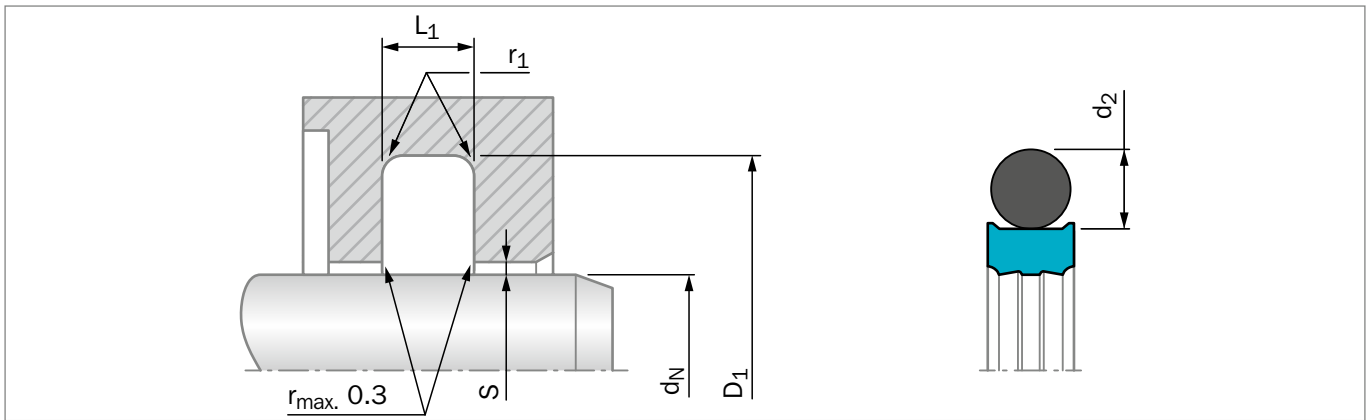


Figure 88: Installation Drawing

Table 68: Installation Dimensions - Standard Recommendations

Series No.	Rod Diameter $d_N$ f8/h9		Groove Diameter*	Groove width	Radius	Radial Clearance $S_{max}^{**}$			O-Ring Cross Section
	Standard Application	Available Range	$D_1$ H9	$L_1 +0.2/-0$	$r_1$ max	10 MPa	20 MPa	40 MPa	$d_2$
RW500	3 - 7.9	3 - 130.0	$d_N + 4.9$	2.20	0.4	0.40	0.30	0.20	1.78
RW510	8 - 18.9	8 - 250.0	$d_N + 7.3$	3.20	0.6	0.60	0.50	0.30	2.62
RW520	19 - 37.9	8 - 450.0	$d_N + 10.7$	4.20	1.0	0.70	0.50	0.30	3.53
RW530	38 - 199.9	19 - 650.0	$d_N + 15.1$	6.30	1.3	0.80	0.60	0.40	5.33
RW540	200 - 255.9	38 - 650.0	$d_N + 20.5$	8.10	1.8	0.80	0.60	0.40	7.00
RW580	256 - 649.9	200 - 999.9	$d_N + 24.0$	8.10	1.8	0.90	0.70	0.50	7.00
RW550	650 - 999.9	256 - 999.9	$d_N + 27.3$	9.50	2.5	1.00	0.80	0.60	8.40
RW55X	1,000 - 1,200	-	$d_N + 27.3$	9.50	2.5	1.00	0.80	0.60	8.40
RW560***	-	650 - 999.9	$d_N + 38.0$	13.80	3.0	1.20	0.90	0.70	12.00
RW56X***	1,000 - 2,600****	-	$d_N + 38.0$	13.80	3.0	1.20	0.90	0.70	12.00

\* Installation with groove dimensions to ISO 7425-2 is also recommended.

\*\* At pressures > **40 MPa** use diameter tolerance H8/f8 (bore/rod) in the area of the seal or consult your local Customer Solution Center for alternative material or profiles. Slydring® / Wear Rings are not applicable at very small radial clearances please consult the Slydring® section in this catalog.

\*\*\* O-Rings with 12 mm cross section are delivered as special profile ring.

\*\*\*\* Z53 and Z54 max diameter 2,200 mm

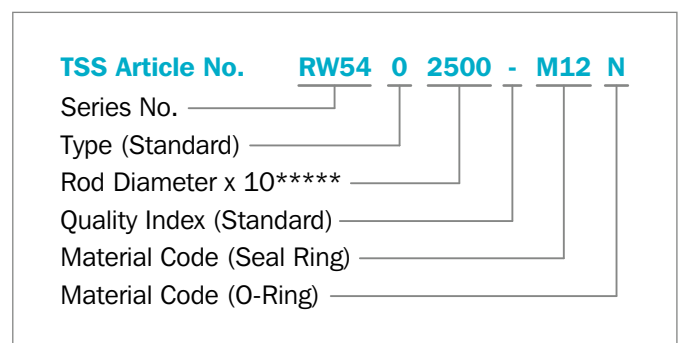
### ORDERING EXAMPLE

Zurcon® Wynseal M complete with O-Ring, standard application:

<b>Series:</b>	RW540 from Table 68
<b>Rod Diameter:</b>	$d_N = 250.0$ mm
<b>TSS Part No.:</b>	RW5402500 from Table 69

Select the material from Table 67. The corresponding code numbers are appended to the TSS Part No. Together these form the TSS Article Number.

The TSS Article Number for all intermediate sizes can be determined by following the example:



\*\*\*\*\* For diameters  $d_N \geq 1,000.0$  mm multiply only by factor 1.  
 Example: RW56X for diameter  $d_N = 1,200.0$  mm  
 TSS Article No.: RW56X1200 - M12N





Table 69: Installation Dimensions / TSS Part No.

Rod Dia.	Groove Dia.	Groove Width	TSS Part No.	O-Ring Size	Rod Dia.	Groove Dia.	Groove Width	TSS Part No.	O-Ring Size
$d_N$ f8/h9	$D_1$ H9	$L_1$ +0.2			$d_N$ f8/h9	$D_1$ H9	$L_1$ +0.2		
3.0	7.9	2.2	RW5000030	4.47 x 1.78	48.0	58.7	4.2	RW5200480	51.50 x 3.55
<b>4.0</b>	<b>8.9</b>	<b>2.2</b>	<b>RW5000040</b>	<b>5.60 x 1.80</b>	48.0	63.1	6.3	RW5300480	53.34 x 5.33
<b>5.0</b>	<b>9.9</b>	<b>2.2</b>	<b>RW5000050</b>	<b>6.70 x 1.80</b>	<b>50.0</b>	<b>60.7</b>	<b>4.2</b>	<b>RW5200500</b>	<b>53.57 x 3.53</b>
<b>6.0</b>	<b>10.9</b>	<b>2.2</b>	<b>RW5000060</b>	<b>7.65 x 1.78</b>	<b>50.0</b>	<b>65.1</b>	<b>6.3</b>	<b>RW5300500</b>	<b>56.52 x 5.33</b>
<b>8.0</b>	<b>12.9</b>	<b>2.2</b>	<b>RW5000080</b>	<b>9.50 x 1.80</b>	52.0	62.7	4.2	RW5200520	56.74 x 3.53
<b>8.0</b>	<b>15.3</b>	<b>3.2</b>	<b>RW5100080</b>	<b>10.77 x 2.62</b>	52.0	67.1	6.3	RW5300520	56.52 x 5.33
<b>10.0</b>	<b>14.9</b>	<b>2.2</b>	<b>RW5000100</b>	<b>11.80 x 1.80</b>	55.0	65.7	4.2	RW5200550	59.92 x 3.53
<b>10.0</b>	<b>17.3</b>	<b>3.2</b>	<b>RW5100100</b>	<b>12.37 x 2.62</b>	55.0	70.1	6.3	RW5300550	59.69 x 5.33
<b>12.0</b>	<b>16.9</b>	<b>2.2</b>	<b>RW5000120</b>	<b>13.20 x 1.80</b>	<b>56.0</b>	<b>66.7</b>	<b>4.2</b>	<b>RW5200560</b>	<b>59.92 x 3.53</b>
<b>12.0</b>	<b>19.3</b>	<b>3.2</b>	<b>RW5100120</b>	<b>14.50 x 2.65</b>	<b>56.0</b>	<b>71.1</b>	<b>6.3</b>	<b>RW5300560</b>	<b>59.69 x 5.33</b>
<b>14.0</b>	<b>18.9</b>	<b>2.2</b>	<b>RW5000140</b>	<b>15.60 x 1.78</b>	60.0	70.7	4.2	RW5200600	63.09 x 3.53
<b>14.0</b>	<b>21.3</b>	<b>3.2</b>	<b>RW5100140</b>	<b>17.12 x 2.62</b>	60.0	75.1	6.3	RW5300600	66.04 x 5.33
15.0	19.9	2.2	RW5000150	17.17 x 1.78	<b>63.0</b>	<b>73.7</b>	<b>4.2</b>	<b>RW5200630</b>	<b>66.27 x 3.53</b>
15.0	22.3	3.2	RW5100150	17.12 x 2.62	<b>63.0</b>	<b>78.1</b>	<b>6.3</b>	<b>RW5300630</b>	<b>69.22 x 5.33</b>
16.0	20.9	2.2	RW5000160	17.17 x 1.78	65.0	80.1	6.3	RW5300650	69.22 x 5.33
<b>16.0</b>	<b>23.3</b>	<b>3.2</b>	<b>RW5100160</b>	<b>18.72 x 2.62</b>	70.0	80.7	4.2	RW5200700	75.79 x 3.53
<b>18.0</b>	<b>22.9</b>	<b>2.2</b>	<b>RW5000180</b>	<b>19.00 x 1.80</b>	<b>70.0</b>	<b>85.1</b>	<b>6.3</b>	<b>RW5300700</b>	<b>75.57 x 5.33</b>
<b>18.0</b>	<b>25.3</b>	<b>3.2</b>	<b>RW5100180</b>	<b>20.29 x 2.62</b>	75.0	85.7	4.2	RW5200750	78.97 x 3.53
<b>20.0</b>	<b>27.3</b>	<b>3.2</b>	<b>RW5100200</b>	<b>21.89 x 2.62</b>	75.0	90.1	6.3	RW5300750	81.92 x 5.33
<b>20.0</b>	<b>30.7</b>	<b>4.2</b>	<b>RW5200200</b>	<b>23.40 x 3.53</b>	<b>80.0</b>	<b>90.7</b>	<b>4.2</b>	<b>RW5200800</b>	<b>85.32 x 3.53</b>
<b>22.0</b>	<b>29.3</b>	<b>3.2</b>	<b>RW5100220</b>	<b>25.07 x 2.62</b>	<b>80.0</b>	<b>95.1</b>	<b>6.3</b>	<b>RW5300800</b>	<b>85.09 x 5.33</b>
<b>22.0</b>	<b>32.7</b>	<b>4.2</b>	<b>RW5200220</b>	<b>26.58 x 3.53</b>	85.0	100.1	6.3	RW5300850	91.44 x 5.33
<b>25.0</b>	<b>32.3</b>	<b>3.2</b>	<b>RW5100250</b>	<b>26.64 x 2.62</b>	<b>90.0</b>	<b>100.7</b>	<b>4.2</b>	<b>RW5200900</b>	<b>94.84 x 3.53</b>
<b>25.0</b>	<b>35.7</b>	<b>4.2</b>	<b>RW5200250</b>	<b>29.75 x 3.53</b>	<b>90.0</b>	<b>105.1</b>	<b>6.3</b>	<b>RW5300900</b>	<b>94.62 x 5.33</b>
<b>28.0</b>	<b>35.3</b>	<b>3.2</b>	<b>RW5100280</b>	<b>29.82 x 2.62</b>	95.0	105.7	4.2	RW5200950	101.19 x 3.53
<b>28.0</b>	<b>38.7</b>	<b>4.2</b>	<b>RW5200280</b>	<b>32.92 x 3.53</b>	95.0	110.1	6.3	RW5300950	100.97 x 5.33
30.0	37.3	3.2	RW5100300	32.99 x 2.62	<b>100.0</b>	<b>110.7</b>	<b>4.2</b>	<b>RW5201000</b>	<b>104.37 x 3.53</b>
30.0	40.7	4.2	RW5200300	34.52 x 3.53	<b>100.0</b>	<b>115.1</b>	<b>6.3</b>	<b>RW5301000</b>	<b>107.32 x 5.33</b>
<b>32.0</b>	<b>39.3</b>	<b>3.2</b>	<b>RW5100320</b>	<b>34.59 x 2.62</b>	105.0	115.7	4.2	RW5201050	110.72 x 3.53
<b>32.0</b>	<b>42.7</b>	<b>4.2</b>	<b>RW5200320</b>	<b>36.09 x 3.53</b>	105.0	120.1	6.3	RW5301050	110.49 x 5.33
35.0	42.3	3.2	RW5100350	37.77 x 2.62	<b>110.0</b>	<b>120.7</b>	<b>4.2</b>	<b>RW5201100</b>	<b>113.89 x 3.53</b>
35.0	45.7	4.2	RW5200350	37.69 x 3.53	<b>110.0</b>	<b>125.1</b>	<b>6.3</b>	<b>RW5301100</b>	<b>116.84 x 5.33</b>
<b>36.0</b>	<b>43.3</b>	<b>3.2</b>	<b>RW5100360</b>	<b>39.34 x 2.62</b>	<b>110.0</b>	<b>130.5</b>	<b>8.1</b>	<b>RW5401100</b>	<b>116.84 x 7.00</b>
<b>36.0</b>	<b>46.7</b>	<b>4.2</b>	<b>RW5200360</b>	<b>40.87 x 3.53</b>	115.0	125.7	4.2	RW5201150	120.24 x 3.53
<b>40.0</b>	<b>50.7</b>	<b>4.2</b>	<b>RW5200400</b>	<b>44.04 x 3.53</b>	115.0	130.1	6.3	RW5301150	120.02 x 5.33
<b>40.0</b>	<b>55.1</b>	<b>6.3</b>	<b>RW5300400</b>	<b>43.82 x 5.33</b>	120.0	130.7	4.2	RW5201200	123.42 x 3.53
42.0	52.7	4.2	RW5200420	47.22 x 3.53	120.0	135.1	6.3	RW5301200	126.37 x 5.33
42.0	57.1	6.3	RW5300420	46.99 x 5.33	<b>125.0</b>	<b>135.7</b>	<b>4.2</b>	<b>RW5201250</b>	<b>129.77 x 3.53</b>
<b>45.0</b>	<b>55.7</b>	<b>4.2</b>	<b>RW5200450</b>	<b>50.39 x 3.53</b>	<b>125.0</b>	<b>140.1</b>	<b>6.3</b>	<b>RW5301250</b>	<b>129.54 x 5.33</b>
<b>45.0</b>	<b>60.1</b>	<b>6.3</b>	<b>RW5300450</b>	<b>50.17 x 5.33</b>	130.0	140.7	4.2	RW5201300	136.12 x 3.53



Rod Dia.	Groove Dia.	Groove Width	TSS Part No.	O-Ring Size
$d_N$ f8/h9	$D_1$ H9	$L_1$ +0.2		
130.0	145.1	6.3	RW5301300	135.89 x 5.33
135.0	145.7	4.2	RW5201350	139.29 x 3.53
135.0	150.1	6.3	RW5301350	139.07 x 5.33
<b>140.0</b>	<b>150.7</b>	<b>4.2</b>	<b>RW5201400</b>	<b>145.64 x 3.53</b>
<b>140.0</b>	<b>155.1</b>	<b>6.3</b>	<b>RW5301400</b>	<b>145.42 x 5.33</b>
145.0	155.7	4.2	RW5201450	148.82 x 3.53
145.0	160.1	6.3	RW5301450	151.77 x 5.33
150.0	165.1	6.3	RW5301500	158.12 x 5.33
<b>160.0</b>	<b>175.1</b>	<b>6.3</b>	<b>RW5301600</b>	<b>164.47 x 5.33</b>
<b>160.0</b>	<b>180.5</b>	<b>8.1</b>	<b>RW5401600</b>	<b>170.82 x 7.00</b>
165.0	180.1	6.3	RW5301650	170.82 x 5.33
170.0	180.7	4.2	RW5201700	177.39 x 3.53
170.0	185.1	6.3	RW5301700	177.17 x 5.33
175.0	190.1	6.3	RW5301750	183.52 x 5.33
<b>180.0</b>	<b>190.7</b>	<b>4.2</b>	<b>RW5201800</b>	<b>183.74 x 3.53</b>
<b>180.0</b>	<b>195.1</b>	<b>6.3</b>	<b>RW5301800</b>	<b>183.52 x 5.33</b>
<b>180.0</b>	<b>200.5</b>	<b>8.1</b>	<b>RW5401800</b>	<b>189.87 x 7.00</b>
190.0	200.7	4.2	RW5201900	196.44 x 3.53
190.0	205.1	6.3	RW5301900	196.22 x 5.33
200.0	215.1	6.3	RW5302000	208.92 x 5.33
<b>200.0</b>	<b>220.5</b>	<b>8.1</b>	<b>RW5402000</b>	<b>208.90 x 7.00</b>
210.0	225.1	6.3	RW5302100	215.27 x 5.33
<b>220.0</b>	<b>235.1</b>	<b>6.3</b>	<b>RW5302200</b>	<b>227.97 x 5.33</b>
<b>220.0</b>	<b>240.5</b>	<b>8.1</b>	<b>RW5402200</b>	<b>227.97 x 7.00</b>
230.0	245.1	6.3	RW5302300	234.32 x 5.33
230.0	250.5	8.1	RW5402300	240.67 x 7.00
240.0	255.1	6.3	RW5302400	247.02 x 5.33
240.0	260.5	8.1	RW5402400	253.37 x 7.00
<b>250.0</b>	<b>270.5</b>	<b>8.1</b>	<b>RW5402500</b>	<b>266.07 x 7.00</b>
260.0	284.0	8.1	RW5802600	266.07 x 7.00
270.0	290.5	8.1	RW5402700	278.77 x 7.00
270.0	294.0	8.1	RW5802700	278.77 x 7.00
280.0	300.5	8.1	RW5402800	291.47 x 7.00
<b>280.0</b>	<b>304.0</b>	<b>8.1</b>	<b>RW5802800</b>	<b>291.47 x 7.00</b>
300.0	324.0	8.1	RW5803000	316.87 x 7.00
<b>320.0</b>	<b>344.0</b>	<b>8.1</b>	<b>RW5803200</b>	<b>329.57 x 7.00</b>
350.0	370.5	8.1	RW5403500	354.97 x 7.00
350.0	374.0	8.1	RW5803500	367.67 x 7.00
<b>360.0</b>	<b>384.0</b>	<b>8.1</b>	<b>RW5803600</b>	<b>367.67 x 7.00</b>
400.0	420.5	8.1	RW5404000	405.26 x 7.00

Rod Dia.	Groove Dia.	Groove Width	TSS Part No.	O-Ring Size
$d_N$ f8/h9	$D_1$ H9	$L_1$ +0.2		
400.0	424.0	8.1	RW5804000	417.96 x 7.00
450.0	474.0	8.1	RW5804500	468.76 x 7.00
500.0	524.0	8.1	RW5805000	506.86 x 7.00
550.0	574.0	8.1	RW5805500	557.66 x 7.00
600.0	624.0	8.1	RW5806000	608.08 x 7.00
650.0	677.3	9.5	RW5506500	663.00 x 8.40
700.0	724.0	8.1	RW5807000	712.00 x 8.40
800.0	827.3	9.5	RW5508000	813.00 x 8.40
900.0	927.3	9.5	RW5509000	913.00 x 8.40
1,000.0	1,027.3	9.5	RW55X1000	1,013.00 x 8.40
1,000.0	1,038.0	13.8	RW56X1000	1,016.00 x 12.00
1,100.0	1,138.0	13.8	RW56X1100	1,116.00 x 12.00
1,200.0	1,227.3	9.5	RW55X1200	1,213.00 x 8.40
1,200.0	1,238.0	13.8	RW56X1200	1,216.00 x 12.00
1,300.0	1,338.0	13.8	RW56X1300	1,316.00 x 12.00
1,500.0	1,538.0	13.8	RW56X1500	1,516.00 x 12.00
2,000.0	2,038.0	13.8	RW56X2000	2,016.00 x 12.00
2,600.0	2,638.0	13.8	RW56X2600	2,616.00 x 12.00

The rod diameters in **bold** type are in accordance with the recommendations of ISO 3320.

Other dimensions and all intermediate sizes up to 2,600 mm diameter including imperial (inch) sizes can be supplied.

All O-Rings with 12 mm cross section are delivered as special profile ring.

---

! This page is intentionally left blank.

# Turcon® Double Delta®



---

Double-acting

---

Rubber-energized plastic-faced seal

---

For O-Ring Grooves

**Material:**

Turcon®, Zurcon® and Elastomer

---



---

! This page is intentionally left blank.



## Turcon® Double Delta®



### Description

Turcon® Double Delta® is a rubber energized plastic faced seal, designed to expand and significantly improve the service parameters of O-Rings. Double Delta® can be installed in existing O-Ring grooves.

Double Delta® combines the flexibility and responsiveness of O-Rings with the wear and friction characteristics of the Turcon® materials in dynamic applications.

The double-acting performance of the seal follows from the symmetrical cross section which allows the seal to respond to pressure in both directions - Figure 89.

Initial contact pressure is provided by radial compression of the O-Ring. When the system pressure is increased the O-Ring transforms this into additional contact pressure, the contact pressure of the seal is thereby automatically adjusted so sealing is ensured under all service conditions.

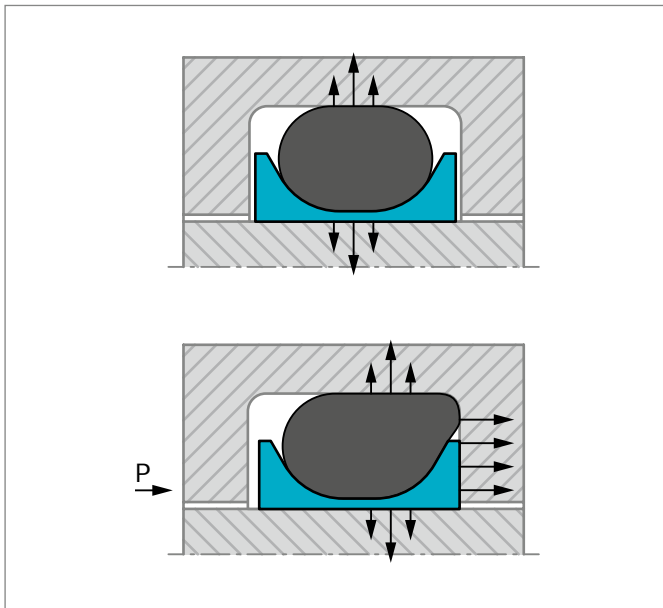


Figure 89: Turcon® Double Delta® without and with pressure

### ADVANTAGES

- Compact groove dimensions and simple installation
- Low friction without stick-slip
- Resistance against wear and extrusion
- Rod seals available for all diameters from 2 to 999.9 mm
- Standard cross sections cover AS 568A and important metric O-Rings, other cross sections available on request.
- Fits also groove dimensions per ISO 6194 and AS 4716

### APPLICATION EXAMPLES

Turcon® Double Delta® is used as double-acting seal for hydraulic and pneumatic components in applications such as:

- Machine tools
- Handling devices
- Valves
- Chemical processing equipment

It is particular recommended for light duty and small diameter applications.

### OPERATING CONDITIONS

<b>Pressure:</b>	Up to 35 MPa
<b>Speed:</b>	Up to 15 m/s
<b>Temperature:</b>	-45 °C to +200 °C according to O-Ring material
<b>Media:</b>	Mineral oil-based hydraulic fluids, flame retardant hydraulic fluids, environmentally friendly hydraulic fluids (bio-oils), phosphate ester, water and others, depending on temperature, seal and O-Ring material compatibility - see Table 71
<b>Clearance:</b>	The maximum permissible radial clearance $S_{max}$ is shown in Table 72, as a function of the operating pressure and functional diameter.

### IMPORTANT NOTE

The above data are maximum values and cannot be used at the same time, e.g. the maximum operating speed depends on material type, pressure, temperature and gap value. Temperature range also depends on media.



## NOTCH

Double Delta® is as standard supplied without radial notches, as the thin radial section of the seal gives good response to pressure variations.

For diameters from 2 mm, notches on both sides are optional. These ensure direct pressurizing of the seal under all operating conditions.

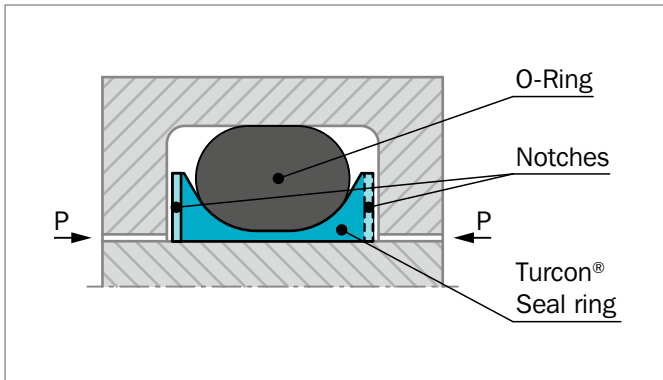


Figure 90: Turcon® Double Delta® with notches

## INSTALLATION INSTRUCTIONS

Double Delta® is installed according to information on page 42.

## RECOMMENDED MATERIALS

The following material combinations have proven effective for hydraulic applications:

### Turcon® Double Delta® in Turcon® M12

All round material for light to medium hydraulic applications with linear or helical movements in mineral oils, flame retardant hydraulic fluids, phosphate ester, bio-oils or fluids having low lubricating properties:

O-Ring:	NBR 70 Shore A	N
	FKM 70 Shore A	V
	EPDM 70 Shore A	E

Set code: M12N, M12V or M12E

### Turcon® Double Delta® in Turcon® T46

For light to medium applications with linear movements in mineral oils and other media with good lubrication:

O-Ring:	NBR 70 Shore A	N
	FKM 70 Shore A	V

Set code: T46N or T46V

For specific applications, all Turcon® materials are available.

Other material combinations are listed in Table 70.

**Table 70: Turcon® and Zurcon® Materials for Turcon® Double Delta®**

Material, Applications, Properties	Code	O-Ring Material Shore A	Code	O-Ring Operating Temp.* °C	Mating Surface Material	MPa max. Dynamic
<b>Turcon® M12</b> First material choice for seals in linear motion Overall improved properties For new constructions and updating For all commonly applied hydraulic fluids including fluids with low lubrication performance Lowest friction and best sliding properties Lowest wear on seals Improved absorption of abrasive contaminants Low wear or abrasion of counter surface BAM tested Mineral fiber and Additives filled Color: Dark gray	M12	NBR 70	N	-30 to +100	Steel	35
		NBR 70 Low temp.	T	-45 to +80	Steel hardened Steel chrome plated (rod)	
		FKM 70	V	-10 to +200	Steel plated (rod) Cast iron Stainless Steel Titanium	
<b>Turcon® T05</b> For lubricating fluids Also for gas service Very low friction Very good sliding and sealing properties Color: Turquoise	T05	NBR 70	N	-30 to +100	Steel	20
		NBR 70 Low temp.	T	-45 to +80	Steel hardened Steel chrome plated (rod)	
		FKM 70	V	-10 to +200		
<b>Turcon® T24</b> For lubricating and non-lubricating hydraulic fluids Good sealing function Moderate extrusion resistance Carbon filled Color: Black	T24	NBR 70	N	-30 to +100	Steel	25
		NBR 70 Low temp.	T	-45 to +80	Steel hardened Steel chrome plated (rod)	
		FKM 70	V	-10 to +200	Cast iron	
		EPDM 70	E**	-45 to +145	Stainless steel Aluminum	
<b>Turcon® T46</b> For lubricated hydraulics in linear motion High compressive strength High extrusion resistance Very good sliding and wear properties BAM tested Bronze filled Color: Light to dark brown, which may have variations in shading	T46	NBR 70	N	-30 to +100	Steel hardened	35
		NBR-70 Low temp.	T	-45 to +80	Steel chrome plated (rod)	
		FKM 70	V	-10 to +200	Cast iron	

Table continues on next page



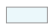


Material, Applications, Properties	Code	O-Ring Material Shore A	Code	O-Ring Operating Temp.* °C	Mating Surface Material	MPa max. Dynamic
<b>Zurcon® Z80</b> For lubricating and non-lubricating fluids Water based fluids, air and gases Dry air pneumatics High abrasion and extrusion resistance For service in abrasive conditions and media with particles Good chemical resistance Limited temperature capability (-60 to +80 °C) UHMWPE (Ultra High Molecular Weight PE) Color: White to off-white	Z80	NBR 70	N	-30 to (+100)	Steel	30
		NBR 70 Low temp.	T	-45 to +80	Steel hardened Steel chrome plated (rod)	
		EPDM 70	E**	-45 to(+145)	Stainless steel Aluminum Ceramic coating	

\* The O-Ring Operation Temperature is only valid in mineral hydraulic oil (except EPDM).

\*\* Material not suitable for mineral oils.

BAM: Tested by "Bundesanstalt Materialprüfung, Germany"

 Highlighted materials are recommended.



## Installation Recommendation

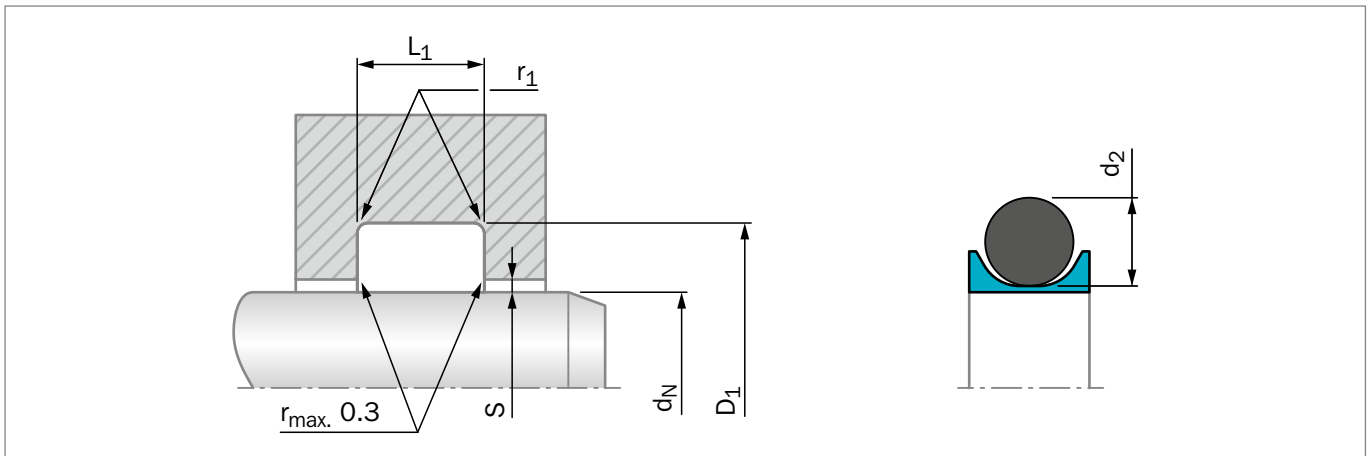


Figure 91: Installation Drawing

**Table 71: Installation Dimensions**

Series No.	Rod Diameter $d_N$ f8/h9		Groove Diameter $D_1$ H9	Groove Width $L_1$ +0.2	Radius $r_{1 \text{ max}}$	Radial Clearance $S_{\text{max}}^*$				O-Ring Cross Section $d_2$
	Standard Application	Available Range				2 MPa	10 MPa	20 MPa	35 MPa	
RDD0	4 - 9.9	2 - 129.9	$d_N + 2.9$	2.4	0.4	0.10	0.10	0.08	0.05	1.78
RDD1	10 - 19.9	5 - 249.9	$d_N + 4.5$	3.6	0.4	0.15	0.15	0.10	0.07	2.62
RDD2	20 - 39.9	5 - 449.9	$d_N + 6.2$	4.8	0.6	0.25	0.20	0.15	0.08	3.53
RDD3	40 - 119.9	12 - 649.9	$d_N + 9.4$	7.1	0.8	0.35	0.25	0.20	0.10	5.33
RDD4	120 - 649.9	60 - 999.9	$d_N + 12.2$	9.5	0.8	0.50	0.30	0.25	0.15	7.00
RDD5	650 - 999.9	110 - 999.9	$d_N + 15.0$	10.0	1.0	0.60	0.40	0.30	0.20	8.40

\*Slydring® / Wear Rings are not applicable at very small radial clearances please consult the Slydring® section in this catalog.

### ORDERING EXAMPLE

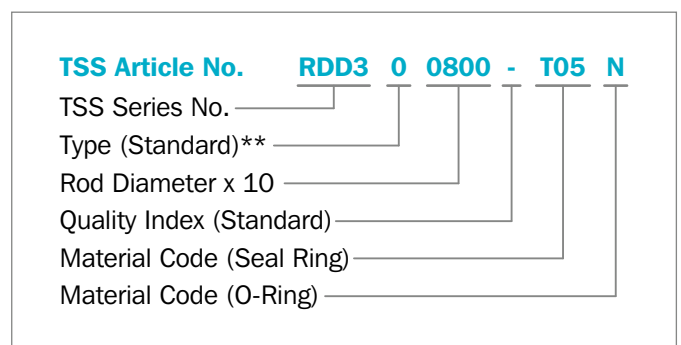
Double Delta® complete with O-Ring, standard application:

<b>Series:</b>	RDD3 from Table 71
<b>Rod diameter:</b>	$d_N = 80.0$ mm
<b>TSS Part No.:</b>	RDD300800 from Table 72

Select the material from Table 70. The corresponding code numbers are appended to the Part No. Together these form the TSS Article Number.

For seals for other groove widths/dimensions please refer to Table 78.

The TSS Article Number for all intermediate sizes can be determined by following the example:



\*\* "N" for seals with notches. Available at diameters from 2.0 mm.



**Table 72: Installation Dimensions / TSS Part No.**

Rod Dia.	Groove Dia.	Groove Width	TSS Part No.	O-Ring Size	Rod Dia.	Groove Dia.	Groove Width	TSS Part No.	O-Ring Size
$d_N$ f8/h9	$D_1$ H9	$L_1$ +0.2			$d_N$ f8/h9	$D_1$ H9	$L_1$ +0.2		
3.0	5.9	2.4	RDD000030	2.90 x 1.78	120.0	132.2	9.5	RDD401200	120.02 x 7.00
<b>4.0</b>	<b>6.9</b>	<b>2.4</b>	<b>RDD000040</b>	<b>3.68 x 1.78</b>	<b>125.0</b>	<b>137.2</b>	<b>9.5</b>	<b>RDD401250</b>	<b>126.37 x 7.00</b>
<b>5.0</b>	<b>7.9</b>	<b>2.4</b>	<b>RDD000050</b>	<b>4.80 x 1.80</b>	130.0	142.2	9.5	RDD401300	129.54 x 7.00
<b>6.0</b>	<b>8.9</b>	<b>2.4</b>	<b>RDD000060</b>	<b>5.60 x 1.80</b>	135.0	147.2	9.5	RDD401350	135.89 x 7.00
<b>8.0</b>	<b>10.9</b>	<b>2.4</b>	<b>RDD000080</b>	<b>7.65 x 1.78</b>	<b>140.0</b>	<b>152.2</b>	<b>9.5</b>	<b>RDD401400</b>	<b>139.07 x 7.00</b>
<b>9.9</b>	<b>12.8</b>	<b>2.4</b>	<b>RDD000099</b>	<b>9.50 x 1.80</b>	150.0	162.2	9.5	RDD401500	148.59 x 7.00
<b>10.0</b>	<b>14.5</b>	<b>3.6</b>	<b>RDD100100</b>	<b>10.77 x 2.62</b>	<b>160.0</b>	<b>172.2</b>	<b>9.5</b>	<b>RDD401600</b>	<b>164.47 x 7.00</b>
<b>12.0</b>	<b>16.5</b>	<b>3.6</b>	<b>RDD100120</b>	<b>12.37 x 2.62</b>	170.0	182.2	9.5	RDD401700	170.82 x 7.00
<b>14.0</b>	<b>18.5</b>	<b>3.6</b>	<b>RDD100140</b>	<b>13.94 x 2.62</b>	<b>180.0</b>	<b>192.2</b>	<b>9.5</b>	<b>RDD401800</b>	<b>183.52 x 7.00</b>
15.0	19.5	3.6	RDD100150	14.50 x 2.65	190.0	202.2	9.5	RDD401900	189.87 x 7.00
<b>16.0</b>	<b>20.5</b>	<b>3.6</b>	<b>RDD100160</b>	<b>15.54 x 2.62</b>	<b>200.0</b>	<b>212.2</b>	<b>9.5</b>	<b>RDD402000</b>	<b>202.57 x 7.00</b>
<b>18.0</b>	<b>22.5</b>	<b>3.6</b>	<b>RDD100180</b>	<b>18.00 x 2.65</b>	210.0	222.2	9.5	RDD402100	208.90 x 7.00
<b>20.0</b>	<b>26.2</b>	<b>4.8</b>	<b>RDD200200</b>	<b>20.22 x 3.53</b>	<b>220.0</b>	<b>232.2</b>	<b>9.5</b>	<b>RDD402200</b>	<b>227.97 x 7.00</b>
<b>22.0</b>	<b>28.2</b>	<b>4.8</b>	<b>RDD200220</b>	<b>21.82 x 3.53</b>	230.0	242.2	9.5	RDD402300	240.67 x 7.00
<b>25.0</b>	<b>31.2</b>	<b>4.8</b>	<b>RDD200250</b>	<b>25.00 x 3.53</b>	240.0	252.2	9.5	RDD402400	240.67 x 7.00
<b>28.0</b>	<b>34.2</b>	<b>4.8</b>	<b>RDD200280</b>	<b>28.17 x 3.53</b>	<b>250.0</b>	<b>262.2</b>	<b>9.5</b>	<b>RDD402500</b>	<b>253.37 x 7.00</b>
30.0	36.2	4.8	RDD200300	29.75 x 3.53	<b>280.0</b>	<b>292.2</b>	<b>9.5</b>	<b>RDD402800</b>	<b>278.77 x 7.00</b>
<b>32.0</b>	<b>38.2</b>	<b>4.8</b>	<b>RDD200320</b>	<b>31.35 x 3.53</b>	300.0	312.2	9.5	RDD403000	304.17 x 7.00
35.0	41.2	4.8	RDD200350	34.52 x 3.53	<b>320.0</b>	<b>332.2</b>	<b>9.5</b>	<b>RDD403200</b>	<b>329.57 x 7.00</b>
<b>36.0</b>	<b>42.2</b>	<b>4.8</b>	<b>RDD200360</b>	<b>36.09 x 3.53</b>	350.0	362.2	9.5	RDD403500	354.97 x 7.00
<b>40.0</b>	<b>49.4</b>	<b>7.1</b>	<b>RDD300400</b>	<b>40.64 x 5.33</b>	<b>360.0</b>	<b>372.2</b>	<b>9.5</b>	<b>RDD403600</b>	<b>367.67 x 7.00</b>
42.0	51.4	7.1	RDD300420	43.82 x 5.33	400.0	412.2	9.5	RDD404000	405.26 x 7.00
<b>45.0</b>	<b>54.4</b>	<b>7.1</b>	<b>RDD300450</b>	<b>43.82 x 5.33</b>	500.0	512.2	9.5	RDD405000	506.86 x 7.00
48.0	57.4	7.1	RDD300480	46.99 x 5.33	600.0	612.2	9.5	RDD406000	608.08 x 7.00
<b>50.0</b>	<b>59.4</b>	<b>7.1</b>	<b>RDD300500</b>	<b>50.17 x 5.33</b>	650.0	665.0	10.0	RDD506500	650.00 x 8.40
52.0	61.4	7.1	RDD300520	53.34 x 5.33	700.0	715.0	10.0	RDD507000	700.00 x 8.40
55.0	64.4	7.1	RDD300550	56.52 x 5.33	800.0	815.0	10.0	RDD508000	800.00 x 8.40
<b>56.0</b>	<b>65.4</b>	<b>7.1</b>	<b>RDD300560</b>	<b>56.52 x 5.33</b>	900.0	915.0	10.0	RDD509000	900.00 x 8.40
60.0	69.4	7.1	RDD300600	59.69 x 5.33	950.0	965.0	10.0	RDD509500	950.00 x 8.40
<b>63.0</b>	<b>72.4</b>	<b>7.1</b>	<b>RDD300630</b>	<b>62.87 x 5.33</b>	<p>The rod diameters in <b>bold</b> type correspond to the recommendations of ISO 3320.</p> <p>TSS Part No. for other dimensions and <b>all</b> intermediate sizes up to 999.9 mm diameter including imperial (inch) sizes can be supplied.</p> <p>Larger sizes up to 2,600 mm available upon request.</p>				
65.0	74.4	7.1	RDD300650	66.04 x 5.33					
<b>70.0</b>	<b>79.4</b>	<b>7.1</b>	<b>RDD300700</b>	<b>69.22 x 5.33</b>					
<b>80.0</b>	<b>89.4</b>	<b>7.1</b>	<b>RDD300800</b>	<b>78.74 x 5.33</b>					
85.0	94.4	7.1	RDD300850	85.09 x 5.33					
<b>90.0</b>	<b>99.4</b>	<b>7.1</b>	<b>RDD300900</b>	<b>91.44 x 5.33</b>					
95.0	104.4	7.1	RDD300950	94.62 x 5.33					
<b>100.0</b>	<b>109.4</b>	<b>7.1</b>	<b>RDD301000</b>	<b>100.97 x 5.33</b>					
105.0	114.4	7.1	RDD301050	104.14 x 5.33					
<b>110.0</b>	<b>119.4</b>	<b>7.1</b>	<b>RDD301100</b>	<b>110.49 x 5.33</b>					
115.0	124.4	7.1	RDD301150	116.84 x 5.33					



## Turcon® Double Delta® for one Back-up Ring groove

Double Delta® is available for designs where grooves for O-Ring with one Back-up Ring are used according to Table 73.

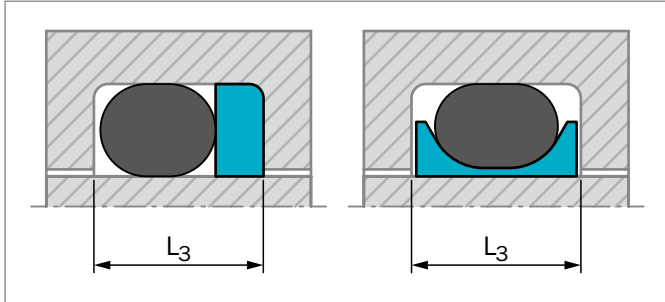


Figure 92: Groove width

Table 73: Seals for one Back-up Ring groove

Series No.	Groove Width $L_3$	Execution Mark 5th digit		O-Ring Cross Section $d_2$
		Without Notch	With Notch*	
RDA0	3.80	0	N	1.78
RDA1	4.65	0	N	2.62
RDA2	5.70	0	N	3.53
RDA3	8.50	0	N	5.33
RDA4	11.20	0	N	7.00
RDA5	12.50	0	N	8.40

\* Available for diameters from 8 mm

### ORDERING EXAMPLE

Double Delta® complete with O-Ring, standard application:

<b>Rod diameter:</b>	$d_N = 80.0$ mm
<b>Groove diameter:</b>	89.4 mm
<b>Groove width:</b>	8.5 mm
<b>TSS Article No.:</b>	RDA300800-M12N

<b>TSS Article No.</b>	<b>RDA3</b>	<b>0</b>	<b>0800</b>	<b>-</b>	<b>M12</b>	<b>N</b>
TSS Series No.**	_____					
Type (Standard)***	_____					
Rod Diameter x 10	_____					
Quality Index (Standard)	_____					
Material Code (Seal Ring)****	_____					
Material Code (O-Ring)*****	_____					

\*\* From Table 73 or Table 74

\*\*\* N for seals with notches, available from dia. 8 mm

\*\*\*\* From Table 70

\*\*\*\*\* From Table 70



## ■ Turcon® Double Delta® for Metric O-Rings

Double Delta® is available for installation in grooves for metric O-Rings as listed in Table 74.

**Table 74: Rod Seals for Metric O-Ring Grooves**

O-Ring Cross Section	Groove Diameter	Groove Width	Series No.	Execution Mark 5th digit		Available Range
				Standard	Notch*	
$d_2$	$D_1$ H9	$L_1$ +0.2				
2.00	$d_N + 3.3$	2.7	RD2A	0	N	3.0 - 100.0
2.40	$d_N + 4.1$	3.2	RD2E	0	N	5.0 - 160.0
2.50	$d_N + 4.3$	3.3	RD2F	0	N	5.0 - 160.0
3.00	$d_N + 5.2$	4.0	RD3A	0	N	6.0 - 200.0
4.00	$d_N + 7.0$	5.2	RD4A	0	N	8.0 - 300.0
5.00	$d_N + 8.8$	6.6	RD5A	0	N	12.0 - 400.0
5.70	$d_N + 10.0$	7.2	RD5H	0	N	12.0 - 649.9

\* Available for diameters from 8 mm

# Additional Seals



---

Available upon Request

---

Old Series

---

Special Series

---



---

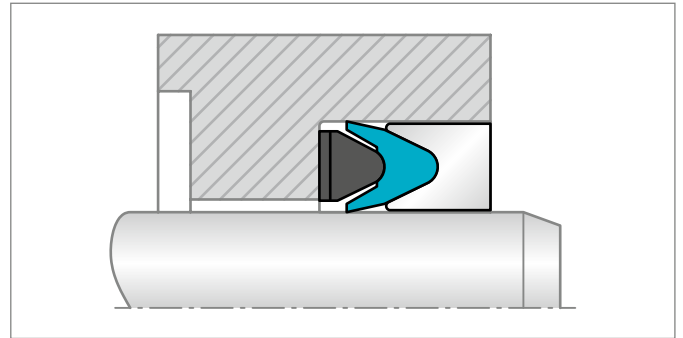
! This page is intentionally left blank.



### POLYPAC® VA

Seal for high pressure volumetric water pump. It's made with a special grade NBR+FABRIC. High sealing efficiency and wear resistance.

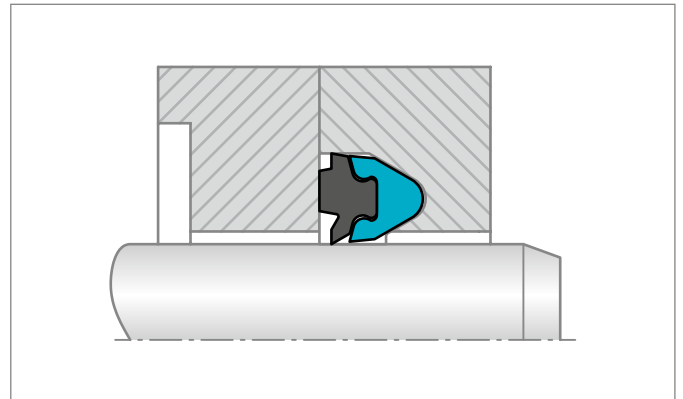
Diameter Range mm	Pressure Range MPa	Temperature Range °C	Velocity m/s
15 - 70	Up to 40	Up to +80	Up to 2



### POLYPAC® VB

Seal for low pressure volumetric water pumps. It's made with a NBR rubber gasket clamped on a softer NBR+FABRIC V-ring shape. These seals in combination with VA seals for high pressure improve the performance of the sealing system in high pressure water pump applications.

Diameter Range mm	Pressure Range MPa	Temperature Range °C	Velocity m/s
13 - 60	-	Up to +80	Up to 2

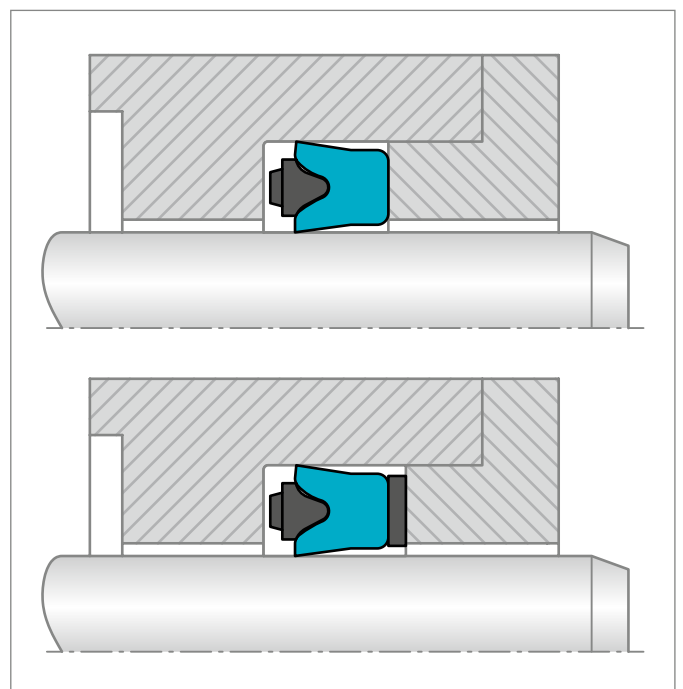


### POLYPAC® DS - CX95 AND DS/TE - CX95

The seals DS and DS/TE are designed to improve the water cleaning equipment's performance.

The special profile can withstand the frequent pressure variations, high temperatures and critical lubrication. The U shaped sealing element is made out of cotton fabric reinforced NBR and provide with a NBR energizer ring a good sealing performance at high as low pressure working conditions. The version DS/TE with bronze filled PTFE Back-up Ring permits working at high pressures.

Diameter Range mm	Pressure Range MPa	Temperature Range °C	Velocity m/s
15 - 40	Up to 40 for DS/TE	Up to +80	Up to 2
	Up to 10 for DS		







### TURCON® STEPSEAL® 2A

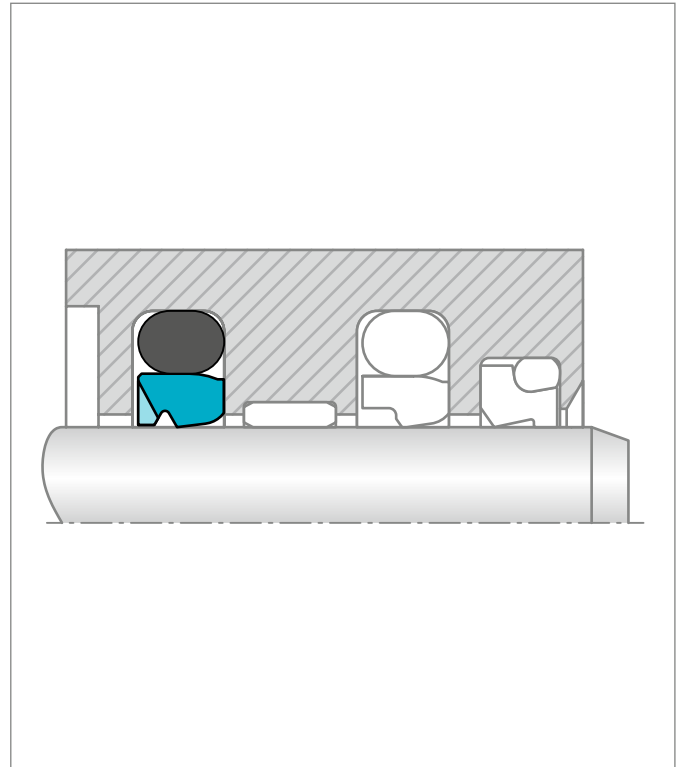
Single-acting primary seal for applications requiring stabilized seal position in the groove. A further development of Turcon® Stepseal® 2K by adding a stabilizing edge, which prevents the seal from “tilting”, caused by seal-system pressure build-up between seals, in tandem configuration. It also increases assembly robustness through protection of the seal face during insertion of the rod.

Same high sealing properties as Stepseal® 2K.

Stepseal® 2A is used as primary seal in rod sealing systems preferably together with a secondary seal from the range of Turcon® and Zurcon® seals, a double-acting Excluder® or Scraper.

Installation in the same grooves as Turcon® Stepseal® 2K and grooves according to ISO 7425-2.

Diameter Range mm	Pressure Range MPa	Temperature Range °C	Velocity m/s
12 - 2,600	60	-45 to +200	Up to 15



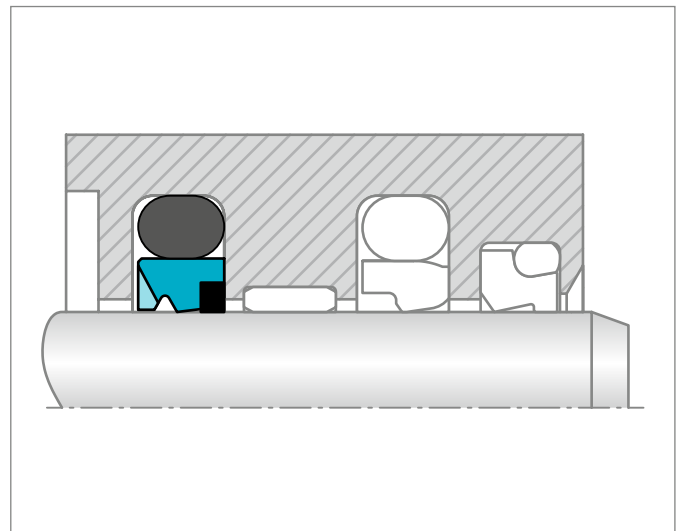
### TURCON® STEPSEAL® 2A CR

Single-acting rubber energized rod seal with integrated Back-up Ring for higher pressure or bigger gaps for dynamic applications. High sealing efficiency, low friction with no stick-slip, minimal break out force and high wear resistance.

Installation in the same grooves as Turcon® Stepseal® 2K and grooves according to ISO 7425-2.

Standard TSS Part Numbers are available (RSB)

Diameter Range mm	Pressure Range MPa	Temperature Range °C	Velocity m/s
30 - 2,600	100	-45 to +200	Up to 5



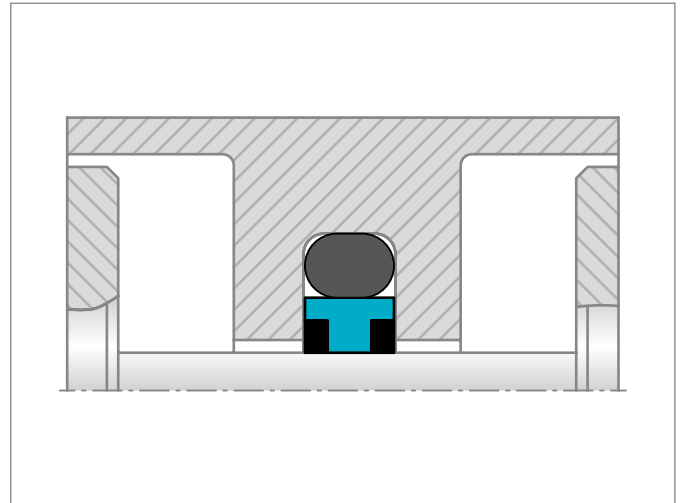


### TURCON® GLYD RING® CR

Double-acting rubber energized rod seal for dynamic applications. Low friction with no stick-slip, minimal break out force and high wear resistance with integrated Back-up Rings for higher pressures or larger gaps. Installation in grooves with dimensions according to ISO 7425-2 (the same as for Turcon® Glyd Ring® for piston).

Standard TSS Part Numbers are available (RGR)

Diameter Range mm	Pressure Range MPa	Temperature Range °C	Velocity m/s
30 - 2,600	100	-45 to +200	5

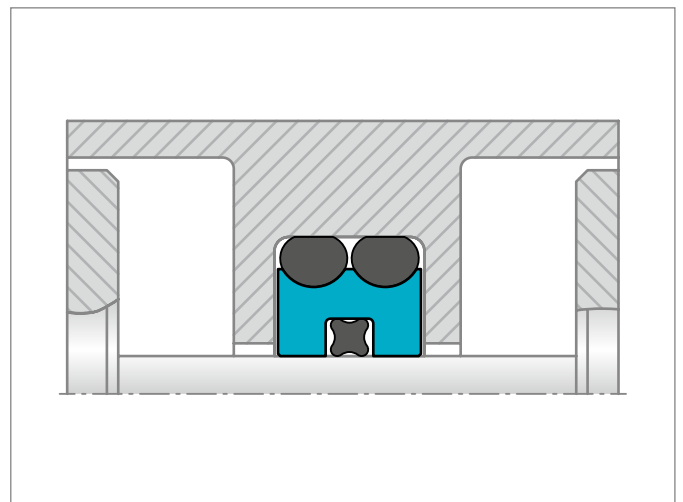


### TURCON® AQ-SEAL® 5

A further development of the standard Turcon® AQ-Seal® double-acting seal for sealing between two media, e.g. fluid/gas separation by incorporating a limited footprint elastomer Quad-Ring® seal in the dynamic sealing face. Energized by two O-rings to improve sealing behaviour. Same groove dimensions as Turcon® AQ-Seal® 5 Bean Seal.

Standard TSS Part Numbers are available (RQ2)

Diameter Range mm	Pressure Range MPa	Temperature Range °C	Velocity m/s
40 - 700	60	-45 to +200	3

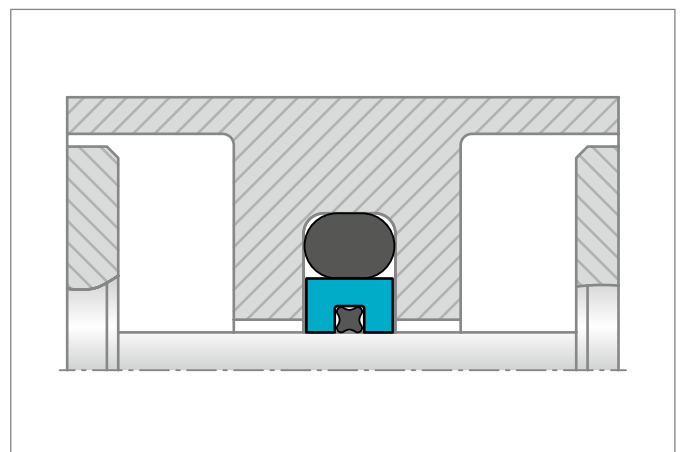


### TURCON® AQ-SEAL®

A double-acting rubber energized seal for sealing between two media, e.g. fluid/gas separation by incorporating a limited footprint elastomer Quad-Ring® seal inset into the dynamic sealing face. Installation in the same groove as Turcon® AQ-Seal® Bean Seal.

Standard TSS Part Numbers are available (RQ1)

Diameter Range mm	Pressure Range MPa	Temperature Range °C	Velocity m/s
16 - 2,600	50	-45 to +200	2

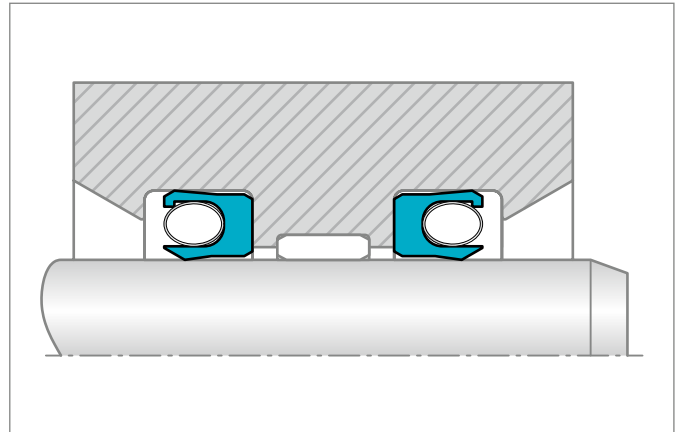




**TURCON® VARISEAL® W**

The Turcon® Variseal® W is a single acting rod seal energized by a special helical spring. The advantage of the Turcon® Variseal® W lies in its low friction and constant preloading force over a relatively large deformation range. The Turcon® Variseal® W is used wherever friction has to be kept within a narrow tolerance zone.

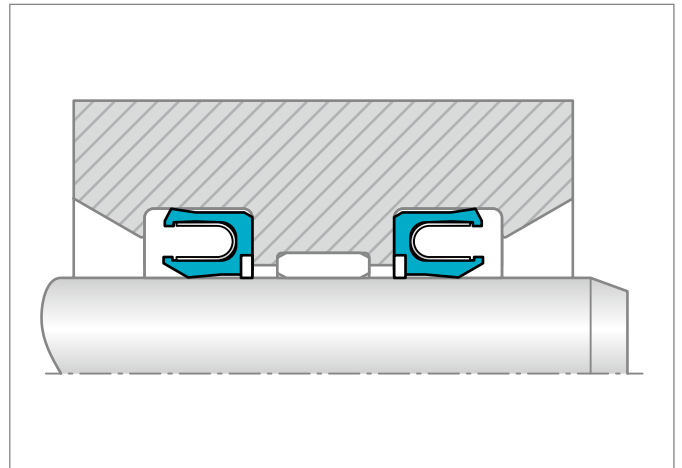
Diameter Range mm	Pressure Range MPa	Temperature Range °C	Velocity m/s
6 - 2,600	45	-70 to +200	15



**TURCON® VARISEAL® M2 CR**

Single-acting sealing element comprising a U-shaped Turcon® ring and stainless energising finger spring. Low friction with no stick-slip, minimal break out force and high wear resistance. Resistant to most liquids and chemical. Unlimited shelf life. For higher pressure applications or larger extrusion gaps the Variseal® M2 CR has an integrated Back-up Ring in material Zurcon® Z43.

Diameter Range mm	Pressure Range MPa	Temperature Range °C	Velocity m/s
8 - 300	100	-30 to +260	15

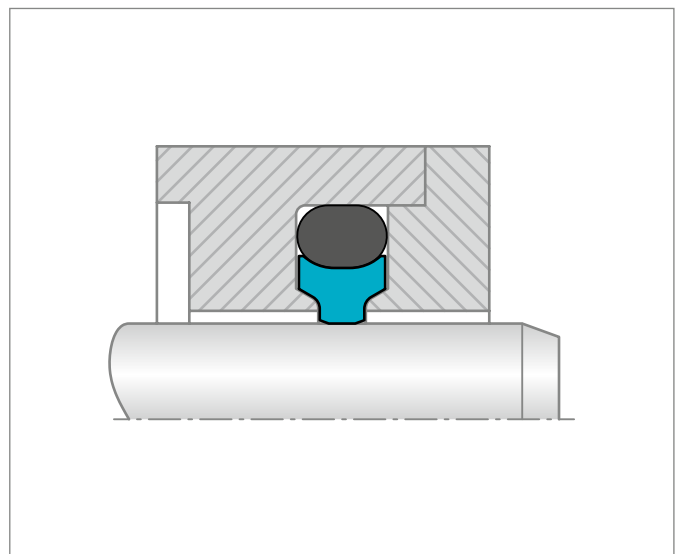


**TURCON® CAPTIVE GLYD RING®**

A double-acting seal recommended for linear applications. It is designed to pass over holes/ports in the counter surface or to slide across mating surfaces that have dimensional changes from a small diameter with sealing function over the seal to a large diameter with no sealing function or vice versa. Split hardware is required and prevents the seal from pulling out the groove while passing over ports or variable diameter counter parts.

Standard TSS Part Numbers are available (RGC)

Diameter Range mm	Pressure Range MPa	Temperature Range °C	Velocity m/s
6 - 2,600	Up to 60	-45 to +200	Up to 15





## TURCON® BUFFER RING

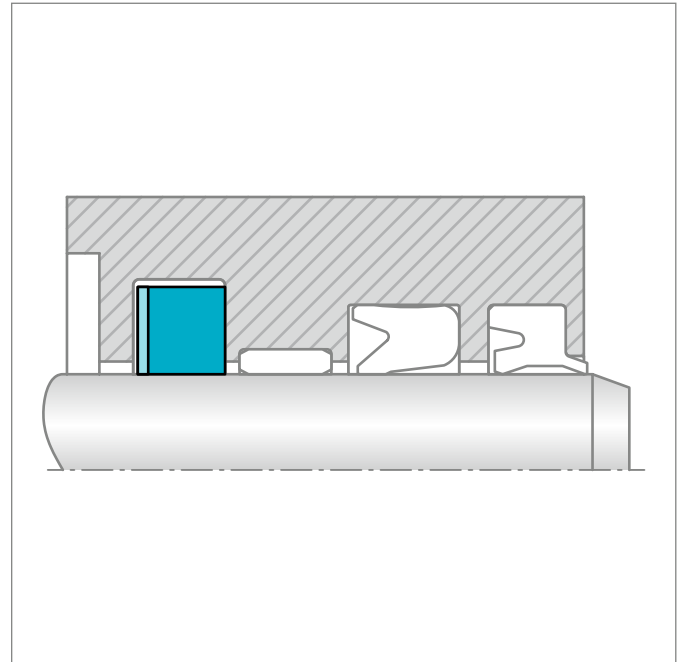
Turcon® Buffer Ring is an uncut “Piston Ring”, with notches on one side, the Ring is a single-acting seal often used as protector of a common rod sealing system against peak pressures where the notch prevents risk of pressure trap.

If double-acting sealing is required it is necessary to install two Buffer Rings, back to back, to take the pressure from both sides.

For linear, helical and rotary movements.

Standard TSS Part Numbers are available (RFB)

Diameter Range mm	Pressure Range MPa	Temperature Range °C	Velocity m/s
4 - 2,500	60	+30 to +160	Up to 15 (10 rotary)



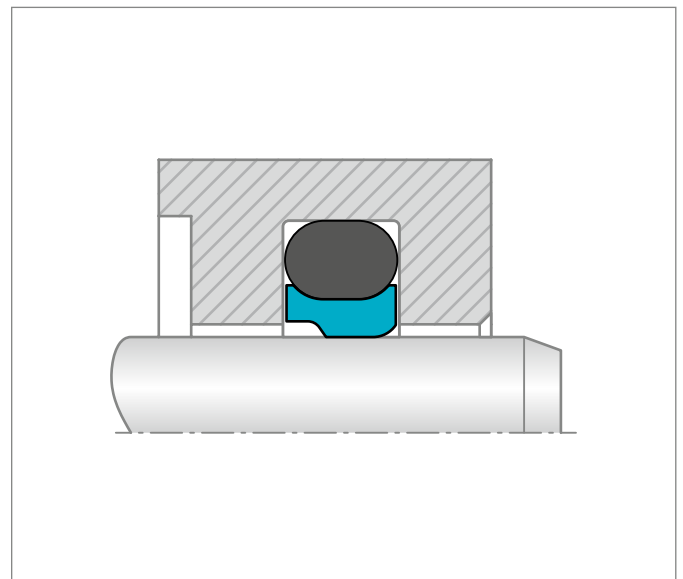
## TURCON® STEPSEAL® SG

Single-acting O-Ring energized rod seal for dynamic applications. Generally applied as spare part or for heavy applications requiring seals in oversize cross section. Installation identical to ISO 7425-1 “Square Groove housings for pistons seals” (ISO for “Square Groove Housing” for rods does not exist) .

Turcon® materials provide low friction with no stick-slip, minimal break out force and high wear and pressure resistance.

Standard TSS Part Numbers are available (RSM)

Diameter Range mm	Pressure Range MPa	Temperature Range °C	Velocity m/s
20 - 2,600	Up to 60	-45 to +200	Up to 5





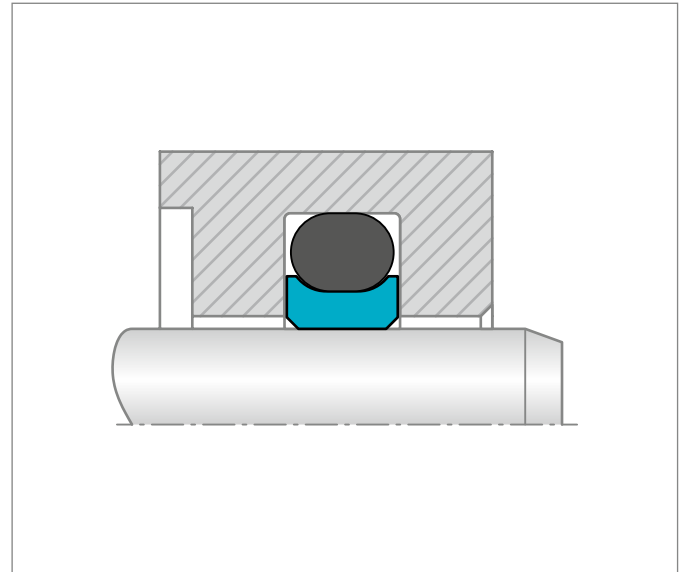
### TURCON® GLYD RING® SG

Double-acting O-Ring energized rod seal for dynamic applications. Generally applied as spare part or for heavy applications requiring seals in oversize cross section. Installation identical to ISO 7425-1 “Square Groove housings for pistons seals”.

Turcon® materials provide low friction with no stick-slip, minimal break out force and high wear and pressure resistance.

Standard TSS Part Numbers are available (RSM)

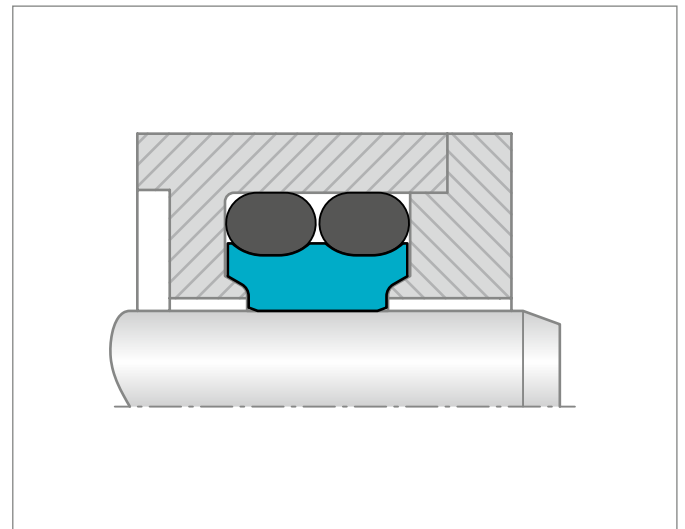
Diameter Range mm	Pressure Range MPa	Temperature Range °C	Velocity m/s
20 - 2,600	Up to 60	-45 to +200	Up to 5



### TURCON® CAPTIVE GLYD RING® WITH DOUBLE O-RING

A double-acting seal for linear applications recommended for passing over larger holes/ports in the counter surface or to slide across mating surfaces that have dimensional changes from a small diameter with sealing function over the seal to a large diameter with no sealing function or vice versa. Split hardware is required and prevents the seal from pulling out the groove while passing over ports or variable diameter counter parts.

Diameter Range mm	Pressure Range MPa	Temperature Range °C	Velocity m/s
6 - 2,600	Up to 60	-45 to +200	Up to 15

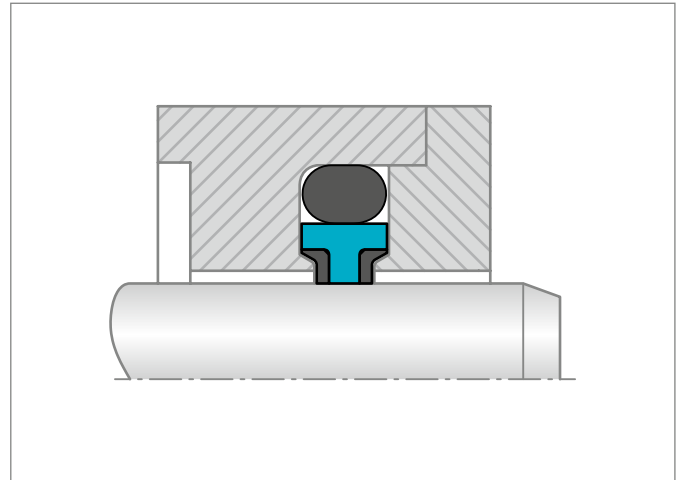




## TURCON® CAPTIVE GLYD RING® CR

A double-acting corner reinforced seal for higher pressure linear applications recommended for passing over larger holes/ports in the counter surface or to slide across mating surfaces that have dimensional changes from a small diameter with sealing function over the seal to a large diameter with no sealing function or vice versa. Split hardware is required and prevents the seal from pulling out the groove while passing over ports or variable diameter counter parts.

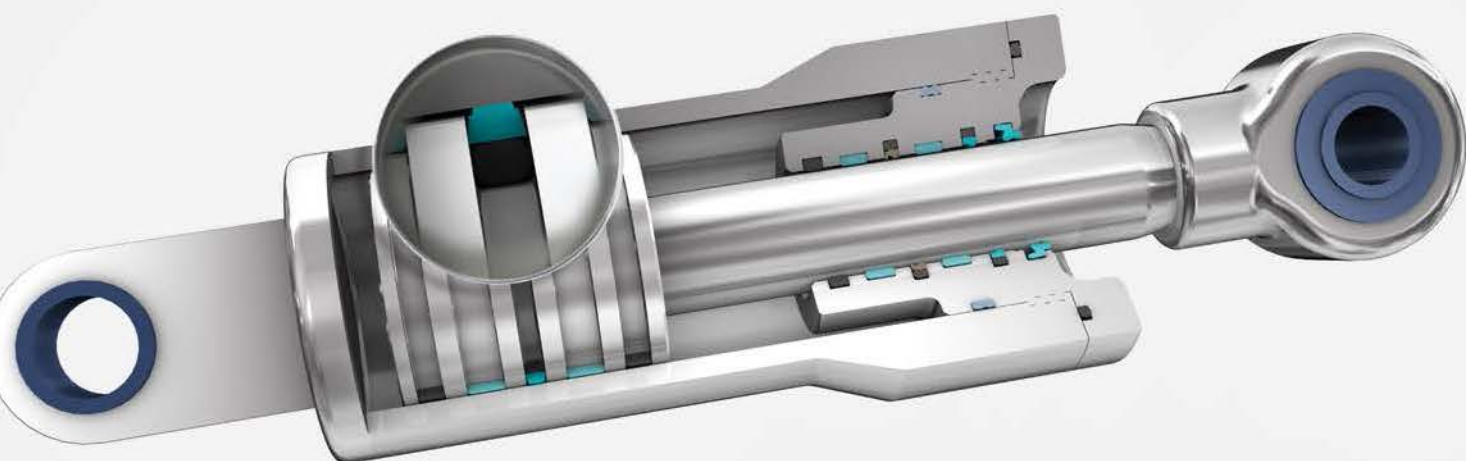
Diameter Range mm	Pressure Range MPa	Temperature Range °C	Velocity m/s
6 - 2,600	Up to 100	-45 to +200	Up to 15



---

! This page is intentionally left blank.

# Piston Seals





---

! This page is intentionally left blank.

## Contents

<b>240</b>	<b>Choice of the Sealing Element</b>	<b>353</b>	<b>Turcon® Variseal® M2</b>
<b>245</b>	<b>Design Instructions</b>	<b>363</b>	<b>Turcon® VL Seal®</b>
<b>247</b>	<b>Installation of Piston Seals</b>	<b>373</b>	<b>Zurcon® U-Cup PUA</b>
<b>253</b>	<b>Turcon® Glyd Ring®</b>	<b>379</b>	<b>Zurcon® Wynseal</b>
<b>263</b>	<b>Turcon® Glyd Ring® T</b>	<b>385</b>	<b>Zurcon® Wynseal M</b>
<b>273</b>	<b>Turcon® Glyd Ring® Hz</b>	<b>395</b>	<b>POLYPAC® - PHD/P</b>
<b>283</b>	<b>Zurcon® Glyd Ring® D</b>	<b>401</b>	<b>Compact Seal POLYPAC® - Duopac DPS/DPC</b>
<b>289</b>	<b>Zurcon® Glyd Ring® P</b>	<b>409</b>	<b>POLYPAC® - Veepac CH</b>
<b>295</b>	<b>Turcon® AQ-Seal® 5</b>	<b>415</b>	<b>POLYPAC® - Veepac CH/G1</b>
<b>305</b>	<b>Turcon® AQ-Seal®</b>	<b>419</b>	<b>POLYPAC® - Selemaster DSM</b>
<b>315</b>	<b>Turcon® Stepseal® 2K</b>	<b>425</b>	<b>Additional Seals</b>
<b>325</b>	<b>Turcon® Stepseal® V</b>		
<b>335</b>	<b>Turcon® Stepseal® V LM</b>		
<b>345</b>	<b>Turcon® Double Delta®</b>		

## ■ Choice of the Sealing Element

Sealing elements have a decisive influence on the design, function and service life of hydraulic and pneumatic cylinders and systems.

This applies equally to the piston seals where leak tightness, resistance to wear and gap extrusion, resistance to process media, resistance to high and low temperatures, low friction, compact form and simple installation are demanded in order to meet the requirements of industry for a functional sealing solution.

Trelleborg Sealing Solutions has developed a complete range of seals which, due to their optimized geometries, designs and use of high-quality materials such as Turcon® and Zurcon®, satisfy the technical and economic demands of the industry.

In order to select the most appropriate seal type and material, it is necessary to first define all the desired functional parameters. Table 75 can then be used to make an initial selection of seals according to the specific requirements of the application.

The second column of the table contains the number of the page on which further general information together with specific design and installation instructions on the particular seal type and materials (or material combinations with multi-element seals, e.g. Turcon® Glyd Ring® T) can be found.

Furthermore on page 246, attention is drawn to the quality of the mating surface. We recommend that the limits specified there be observed, as they have a decisive influence on the functionality and service life of the system.

The final choice of seal type and material must also take account of the detailed information on the seal elements.

Please do not hesitate to contact your local Customer Solution Center for further information on specific applications and special technical questions.

### NOTE ON ORDERING

All multi-element standard piston seals, e.g. Glyd Ring® T, are generally supplied as complete seal sets. The set includes the seal and matching elastomer energizing elements. The O-Ring does not have to be ordered separately. It is also possible to use other O-Ring materials from our O-Ring catalog. In this case, please order the seal ring and O-Ring separately. We will inform you the sizes of the O-Ring on request.







When ordering the seal ring separately, it is then not necessary to mention the "O-Ring material code" in the TSS Article No. shown in the ordering examples.

Older designs of seals no longer contained in this catalog naturally continue to be available (see chapter "Additional Seals"). For all new applications, however, we recommend the use of the seal types and preferred sizes (ISO series, wherever possible) listed in this catalog.

Other combinations of Turcon® materials and special designs can be developed and supplied for special applications in all sizes up to 2,700 mm diameter, provided there is sufficient demand.

The sizes contained in this catalog are generally available from stock or can be supplied at short notice. We reserve the right to modify our supply programme.







Table 75: Selection Criteria for Piston Seals

Seal		Application			Standard	Action		Size Range	Technical Data*			Recommended Seal Material			
Type	Page	Field of Application				ISO	Single		Double	Temp. Range**	Speed		Pressure		
			Light	Media	Heavy						mm	°C	m/s	MPa max.	
Turcon® Glyd Ring® 	253	Mobile hydraulics	•	•	•	7425-1	X	8 - 2,700	-45/ +200	15	50	M12			
		Machine tools	•	•	•						50	T46			
		Injection molding machines	•	•	•						20	T05			
		Presses	•	•	•						8 - 2,300	-45/ +110	2	60	Z53
Turcon® Glyd Ring® T 	263	Mobile hydraulics	•	•	•	7425-1	X	8 - 2,700	-45/ +200	15	40	M12			
		Standard cylinders	•	•	•						50	T46			
		Machine tools	•	•	•						8 - 2,300	-45/ +110	2	60	Z53
		Injection molding machines	•	•	•										
Presses	•	•	•												
Automotive industry	•	•	•												
Turcon® Glyd Ring® Hz 	273	Machine tools	•	•	7425-1	X	X	8 - 999	-45/ +200	15	30	M12			
		Handling machinery	•	•							25	T40			
		Servo equipment	•	•							-45/ +80	2	30	Z80	
Zurcon® Glyd Ring® D 	283	Earthmoving Equipment		•	•	7425-1 3320	X	30 - 250	-30/ +110	0.5	40	Z13			
		Mobile hydraulics		•	•										
Zurcon® Glyd Ring® P 	289	Earthmoving Equipment		•	•	7425-1 3320	X	45 - 200	-30/ +110	1	50	Z66 + NBR			
		Mobile hydraulics		•	•										
		Construction Machinery		•	•										
Turcon® AQ-Seal® 5 	295	Mobile hydraulics		•	•	-	X	40 - 700	-45/ +200	3	50	M12			
		Holding cylinders		•	•						50	T46			
		Piston accumulators		•	•										







\* The data below are maximum values and cannot be used at the same time.  
The maximum pressure depends on temperature and gap dimension.

Table continues on next page

\*\* Temperature range depends on choice of elastomer material and media.  
In the case of Turcon® piston seals in unpressurized applications in temperatures below 0 °C,  
please contact your local Customer Solution Center for assistance!

Seal		Application	Standard	Action	Size Range	Technical Data*			Recommended Seal Material									
Type	Page					Field of Application	Temp. Range**	Speed		Pressure								
		Light	Media	Heavy	ISO	Single	Double	mm	°C	m/s	MPa max.							
Turcon® AQ-Seal® 	305	Standard cylinders	•	•	7425-1		X	15 - 700	-45/ +200	2	40	M12						
		Piston accumulators	•	•							40	T46						
Turcon® Stepseal® 2K 	315	Fluid/gas separation	•	•	7425-1		X	8 - 2,700	-45/ +200	15	40	M12						
		Holding cylinders	•	•							40	T46						
		Mobile hydraulics	•	•							•	7425-1	X	8 - 2,700	-45/ +200	15	50	M12
		Standard cylinders	•	•							•						50	T46
Machine tools	•	•	•	7425-1	X	8 - 2,300	-45/ +110	2	60	Z53								
Injection molding machines	•	•	•															
Turcon® Stepseal® V 	325	Presses	•	•	7425-1		X	15 - 2,700	-45/ +200	15	50	M12						
		Mobile hydraulics	•	•							•	7425-1	X	15 - 2,700	-45/ +200	15	50	T46
		Machine tools	•	•							•							
Turcon® Stepseal® V LM 	335	Injection molding machines	•	•	7425-1		X	15 - 2,700	45/ +200	15	50	M12						
		Mobile hydraulics	•	•							•	7425-1	X	15 - 2,700	45/ +200	15	50	T46
		Wind turbines	•	•							•							
Turcon® Double Delta® 	345	Presses	•	•	3601/ 3771 AS4716		X	5 - 2,700	-45/ +200	15	20	T05						
		Machine tools	•	•							35	M12						
		Handling devices/ manipulators	•	•							35	T46						
		Valves	•	•														
Turcon® Variseal® M2 	353	Chemical industry	•	•	3771 AS4716		X	6 - 2,500	-70/ +300	15	40	T40						
		High and low temperatures	•	•							20	T05						
		Aggressive media	•	•														
		Foodstuffs	•	•														

\* The data below are maximum values and cannot be used at the same time.  
 The maximum pressure depends on temperature and gap dimension.  
 \*\* Temperature range depends on choice of elastomer material and media.  
 In the case of Turcon® piston seals in unpressurized applications in temperatures below 0 °C,  
 please contact your local Customer Solution Center for assistance!

Seal		Application			Standard	Action		Size Range	Technical Data*			Recommended Seal Material	
Type	Page	Field of Application				ISO	Single		Double	Temp. Range**	Speed		Pressure
			Light	Media	Heavy						°C	m/s	MPa max.
Turcon® VL Seal® 	363	Machine tools	•	•	•	3601/ 3771  AS4716	X	10 - 2,700	-45/ +200	15	50	M12	
		Automotive industry	•	•	•						50		T46
		Handling devices / manipulators	•	•	•						25		
Zurcon® U-Cup PUA 	373	Presses Lift platforms	•	•	•	-	X	14 - 250	-35/ +110	0.5	40	Z20	
Zurcon® Wynseal 	379	Standard cylinders Mobile hydraulics	•	•		7425-1	X	12 - 300	-35/ +110	0.5	25	Z20	
Zurcon® Wynseal M 	385	Standard cylinders	•	•		7425-1	X	8 - 2,300	-45/ +110	0.5	25	Z54	
		Mobile hydraulics	•	•							45	Z53	
		Handling machinery Agriculture	•	•							35	M12	
Compact Seal PHD/P 	395	Mobile hydraulics Excavators Heavy duty hydraulic cylinders	•	•	•	-	X	50 - 180	-35/ +110	0.5	35	Z20 + NBR + POM	
Duopac DPS / DPC 	401	Mining equipment Presses Steel mills Water hydraulics	•	•	•	-	X	40 - 250	-30/ +130	0.5	40	Fabric rein- forced NBR + POM	




\* The data below are maximum values and cannot be used at the same time.

The maximum pressure depends on temperature and gap dimension.

\*\* Temperature range depends on choice of elastomer material and media.

In the case of Turcon® piston seals in unpressurized applications in temperatures below 0 °C, please contact your local Customer Solution Center for assistance!

Table continues on next page

Seal		Application			Standard	Action		Size Range	Technical Data*			Recommended Seal Material	
Type	Page	Field of Application	Light	Media		Heavy	ISO		Single	Double	Temp. Range**		Speed
										°C	m/s	MPa max.	
Veepac CH 	409	Presses	•	•	•	-	X		20 - 545	-30/ +130	0.5	40	Fabric reinforced Rubber + POM
		Steel mills	•	•	•								
		Ship hydraulics	•	•	•								
		Scrape shears	•	•	•								
		Civil engineering	•	•	•								
		Continuous casting	•	•	•								
		Special hydraulic cylinders	•	•	•								
		Water locks	•	•	•								
Veepac CH/G1 	415	Mining equipment	•	•	•	-	X		40 - 250	-30/ +200	0.5	40	Fabric reinforced Rubber
		Excavators	•	•	•								
		Steel mills	•	•	•								
		Presses	•	•	•								
Selemaster DSM 	419	Mining equipment	•	•	•	-		X	45 - 360	-30/ +130	0.5	70	Fabric reinforced Rubber + POM
		Excavators	•	•	•								
		Steel mills	•	•	•								
		Presses	•	•	•								

\* The data below are maximum values and cannot be used at the same time.  
 The maximum pressure depends on temperature and gap dimension.  
 \*\* Temperature range depends on choice of elastomer material and media.  
 In the case of Turcon® piston seals in unpressurized applications in temperatures below 0 °C,  
 please contact your local Customer Solution Center for assistance!

## ■ Design Instructions

### LEAD-IN CHAMFERS

Piston seals are always fitted with an interference fit. In order to avoid damage during installation, lead-in chamfers and rounded edges must be provided on the cylinder barrel, see Figure 93. If this is not possible for design reasons, a separate installation tool must be used.

The minimum length of the lead-in chamfer  $Z_{min}$  depends on the profile size of the seal and can be seen from the following tables.

Generally  $Z_{min}$ , from Table 76, Table 77 and Table 78 is recommended, but at 15° Z must also exceed 2.5% of the bore diameter  $D_N$ . At 20° Z is calculated correspondingly.

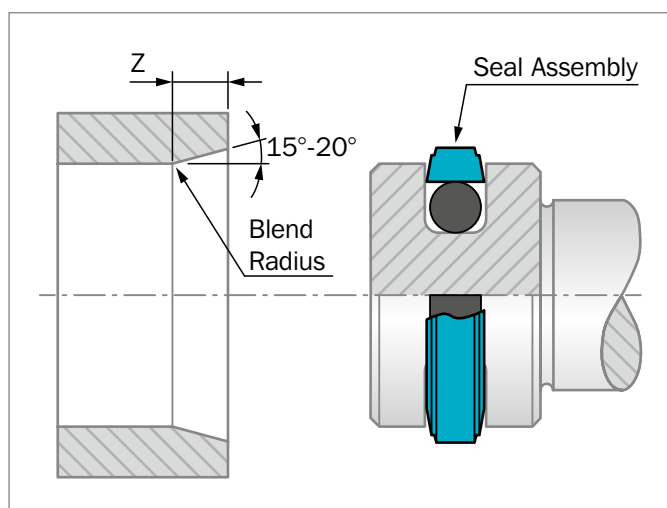


Figure 93: Lead-in chamfer

### Table 76: Elastomer Energized Seals

Minimum chamfer for a calibrated seal.

Groove Width $L_1^*$	Lead-in Chamfer Length $Z_{min}$	
	15°	20°
2.2	2.5	2.0
3.2	3.0	2.5
4.2	3.5	3.0
6.3	5.0	4.0
8.1	6.5	5.0
9.5	7.5	5.5
13.8	10.5	8.0

\* The groove width can be found in table "Installation Dimensions" for Turcon® Glyd Ring®, Glyd Ring® T, Glyd Ring® Hz, AQ-Seal® Stepseal® 2K, Stepseal® V and Zurcon® Wynseal M.

### Table 77: Compact Seal and Variseal®

Minimum for a calibrated seal (Variseal)

Compact Seal Groove Depth*	Variseal® M2 Series	Lead-in Chamfer Length $Z_{min}$	
		15°	20°
3.5		2.5	1.5
4.0		2.5	1.5
5.0		3.0	2.0
7.5	PVA0	4.5	3.0
10.0	PVA1 / PVA2	5.0	4.0
12.5		6.5	6.0
15.0	PVA3	7.5	6.5
20.0		10.0	8.5
	PVA4	12.0	9.0
	PVA5	17.0	13.0

\* The groove depth is calculated as  $(D_N - D_1)/2$ . The dimensions for  $D_N$  and  $d_1$  can be found in the tables "Installation Dimensions", from chapter Compact Seal Duopac DPS/DPC.

### Table 78: Double Delta®

Minimum chamfer for a calibrated seal.

O-Ring Cross Section** $d_2$		Lead-in Chamfer* Length $Z_{min}$	
		15°	20°
1.78	-	2.5	2.0
2.40	2.62	3.0	2.5
3.00	3.53	3.5	3.0
5.33	5.70	5.0	4.0
7.00	-	6.5	5.0
8.40	-	7.5	5.5

\* Though not less than 2.5% of bore diameter.

\*\* The O-Ring cross-section  $d_2$  can be found in the appropriate table "Installation Dimensions", from chapter Double Delta®.

For Turcon® seals which have been expanded over a piston the seal must be calibrated with a separate calibration sleeve, or the cylinder tube, where the inlet chamfer is minimum 2 x the value from Table 76 Elastomer Energized Seals.



**SURFACE ROUGHNESS ISO 4287**

The functional reliability and service life of a sealing system is dependent upon the quality and surface finish of the mating surface to be sealed.

Scores, scratches, pores, concentric or spiral machining marks are not permitted. Higher demands must be made on the surface finish of dynamic mating surfaces than of static mating surfaces.

The characteristics most frequently used to describe the surface micro-finish  $R_a$ ,  $R_z$  and  $R_{max}$  are defined in ISO 4287-1. These characteristics alone, however, are not sufficient for assessing the suitability in seal technology. In addition the material contact area of the surface roughness profile  $R_{mr}$  in accordance with ISO 4287-1 should be demanded. The significance of this surface specification is illustrated in Figure 94. It shows clearly that specification of  $R_a$  and  $R_z$  does not describe the surface roughness profile accurately enough. The material contact area  $R_{mr}$  is essential to assess surface suitability, as the specific profile form determines this parameter. This in turn is directly dependent on the machining process employed.

Trelleborg Sealing Solutions recommends that the following surface finishes be observed:

**Table 79: Surface Roughness**

Surface Roughness $\mu\text{m}$			
Parameter	Mating Surface		Groove Surface
	Turcon® Materials	Zurcon® and Rubber	
$R_{max}$	0.63 - 2.50	1.00 - 4.00	< 16.0
$R_z$	0.40 - 1.60	0.63 - 2.50	< 10.0
$R_a$	0.05 - 0.20	0.10 - 0.40	< 1.6

The material contact area  $R_{mr}$  should be approximately 50 to 70%, determined at a cut depth  $c = 0.25 \times R_z$ , relative to a reference line of  $C_{ref}$ . 5%.



Surface profile	$R_a$	$R_z$	$R_{mr}$
closed profile form 	0.1	1.0	70%
open profile form 	0.2	1.0	15%

Figure 94: Profile forms of surfaces

Figure 94 shows two surface profiles, both of which exhibit nearly the same value for  $R_z$  in the test procedure. The difference becomes obvious when the material contact areas of the surface profiles are compared. These show that the upper roughness profile with  $R_{mr} = 70\%$  has the better seal to mating surface ratio.

## ■ Installation of Piston Seals

### GENERAL INSTALLATION INSTRUCTIONS

The following points should be observed before installation of the seals:

- Ensure the cylinder tube has a lead-in chamfer; if not, use a calibration sleeve, see Figure 100.
- Deburr and chamfer, or round sharp edges, cover the tips of screw threads
- Remove machining residues such as chips, dirt and other foreign particles, and carefully clean all parts
- The seals can be installed more easily if they are greased or oiled. Attention must be paid to the compatibility of the seal materials with these lubricants. Use only grease without solid additives (e.g. molybdenum disulphide or zinc sulphide).
- Do not use tools with sharp edges.

### INSTALLATION IN SPLIT GROOVES

Installation in split grooves is straight forward. The sequence of installation corresponds to the configuration of the seal. Individual seal elements must not be allowed to twist. During final installation of the piston into the cylinder, elastomer or spring-preloaded seals must be calibrated. The corresponding cylinder barrel can be used for this purpose, provided it has a long lead-in chamfer. Alternatively, a calibration sleeve should be used.

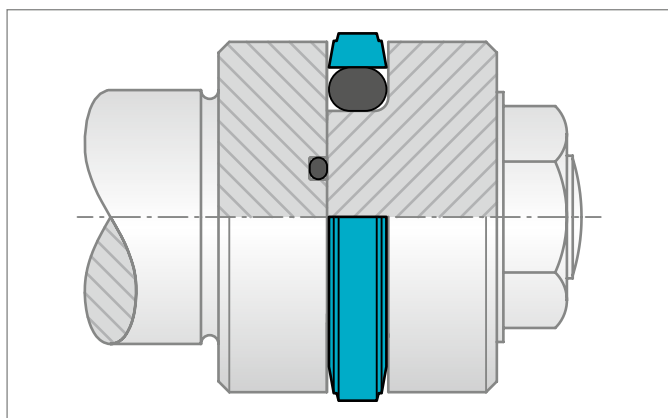


Figure 95: Installation in a split groove

### INSTALLATION IN CLOSED GROOVES

- Without installation tools

Observing the instructions in the chapter "General installation instructions", closed groove installation of elastomer seals as Compact Seal and Zurcon® Wynseal is performed by expanding the seal ring over the piston.

For Turcon® and Zurcon® elastomer energized seals, the use of installation tool is recommended. If installation has to be performed without installation tools, the following points should be observed:

- Place the O-Ring in the groove and expand the seal ring over the piston, see Figure 96. Turcon® seals can be installed more easily by heating in oil, water or using a hot air fan to approximately 80 °C to 100 °C (expanding and then shrinking back to the original form).
- Use no sharp edged tools to expand the seal rings. Sizing of the seal ring is achieved with a separate calibration sleeve, or with the cylinder tube provided this has lead-in chamfers equivalent to 2 x the values from Table 76.

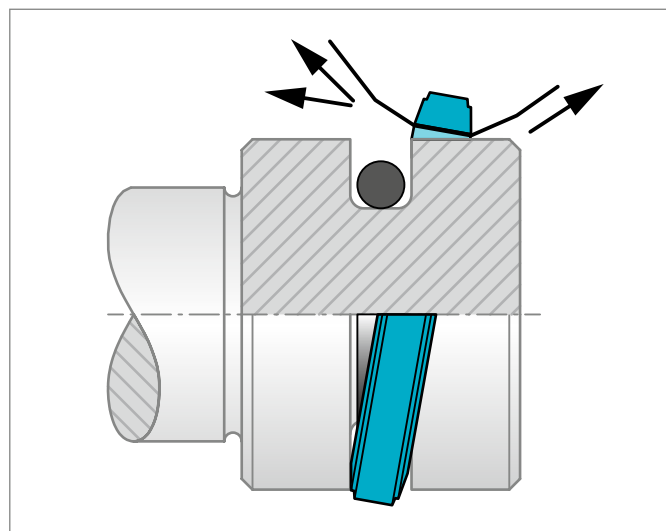


Figure 96: Fitting the seal ring onto the O-Ring in the groove

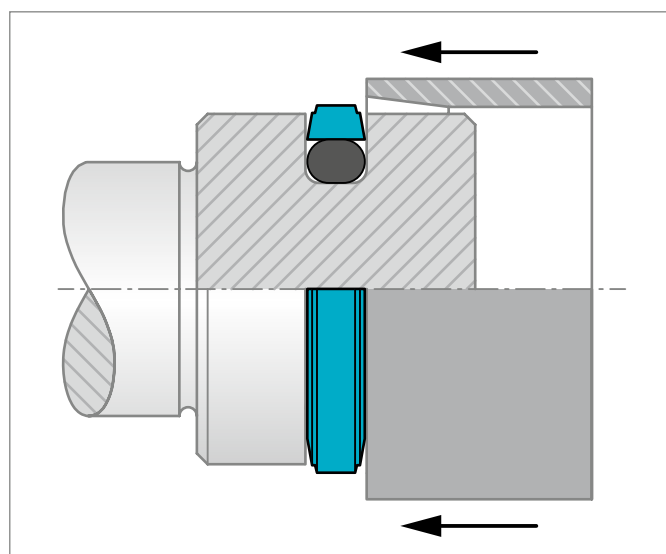


Figure 97: Calibration of the installed seal

**INSTALLATION IN CLOSED GROOVES**

- With installation aids

Use of a three-piece installation tool is recommended for the series production installation of Turcon® and Zurcon® seal elements. The tool consists of:

- Installation cone
- Expanding pusher
- Calibration sleeve

All these parts should be made of a polymer material (e.g. Acetal, POM) with good sliding characteristics and low abrasiveness to avoid damage to the seals.

Due to the wide range of sizes and application-specific installation conditions, installation tools cannot be standardized. Custom-designed assembly aids and equipment are available through the ServicePLUS Installation Tools Service. Contact your local Customer Solution Center for more information.

The sequence of installation is illustrated in Figure 98 to Figure 100. Note, however, that the installation of Turcon® seal elements should be performed quickly in order to ensure optimum recovery of the seal ring.

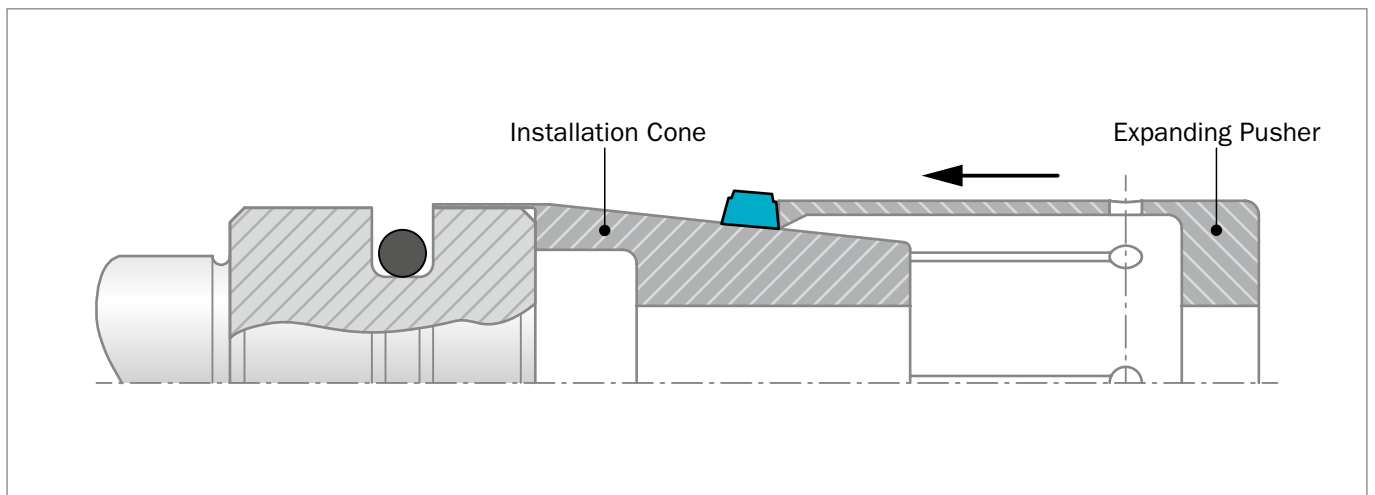


Figure 98: Expanding the Turcon® or Zurcon® sealing element using an expanding sleeve over the installation cone

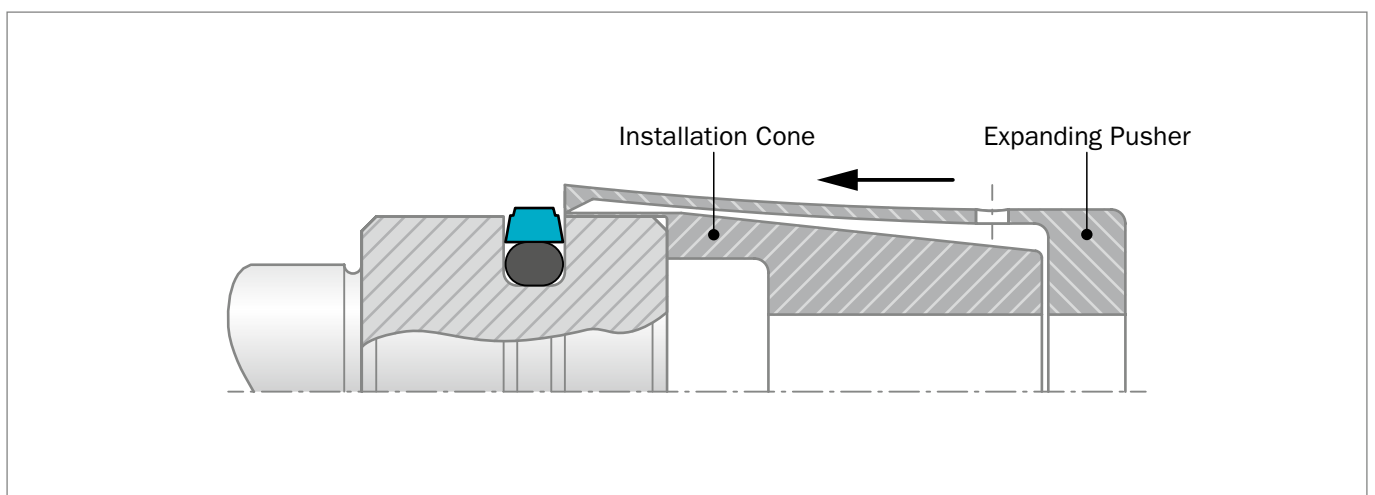


Figure 99: Sealing element after snapping into the groove

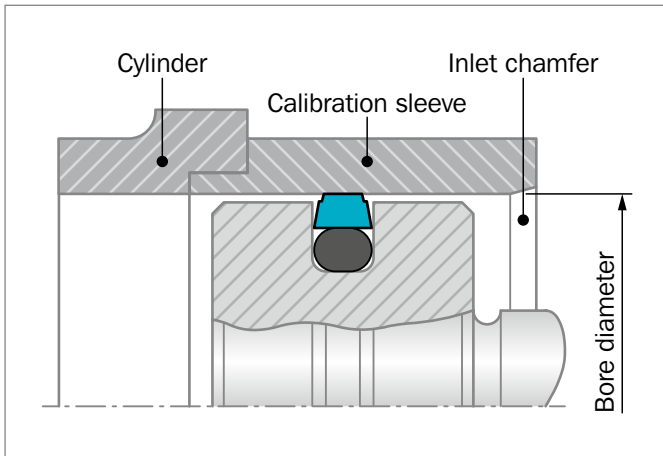


Figure 100: Sizing the sealing element with calibration sleeve

**Table 80: Closed groove installation for Turcon® piston seals**

Glyd Ring® and seals for similar groove sizes can be installed in closed grooves above the following piston diameters:

O-Ring Series	Material M12, T05, T29, T40, T46	Material M04, T08, T10, Z54	Material Z53, Z80
	D <sub>N</sub> mm	D <sub>N</sub> mm	D <sub>N</sub> mm
000	≥ 8	≥ 15	≥ 20
100	≥ 15	≥ 20	≥ 35
200	≥ 25	≥ 35	≥ 60
300	≥ 40	≥ 50	≥ 75
400	≥ 60	≥ 80	≥ 110
400 H	≥ 133	≥ 133	≥ 150
8.4*	≥ 250	≥ 250	≥ 250
12.0**	≥ 400	≥ 400	≥ 400

\* O-Ring cross section according to SMS 1586.

\*\*The energizer can have a special shape.

**INSTALLATION OF TURCON® DOUBLE DELTA®**

Installation in closed grooves is possible from 8 mm bore diameter. For diameters smaller than 50 mm a installation cone - see Figure 101 - is recommended. After installation the seal must be calibrated, this may be done with the lead-in chamfer of the cylinder tube or by means of a separate calibration sleeve.

Turcon® piston seals can be installed more easily by heating to approximately 80 °C to 100 °C (expanding and then shrinking back to the original form).

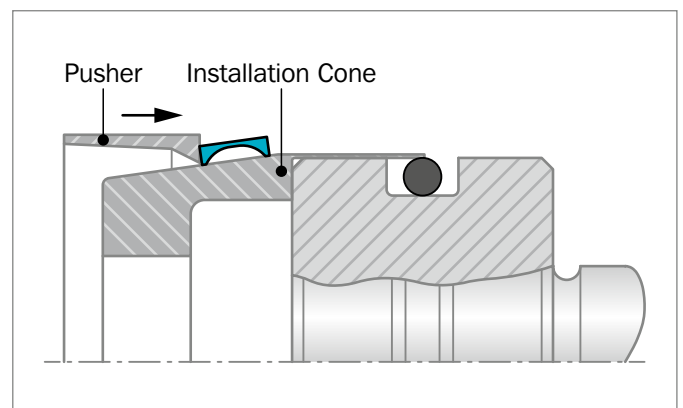


Figure 101: Installation of Turcon® Double Delta® in closed groove with extended Installation cone

**INSTALLATION FOR TURCON® VL SEAL®**

Installation in closed grooves is possible for diameters according to Table 81.

The O-Ring is inserted in the groove and located at the side of the groove, where after the seal is pushed over the installation cone and into the groove, note the difference in design of the expanding pusher and the installation cone depending on direction of installation - see Figure 102. After insertion in the groove the seal is preferably calibrated before the piston is inserted in the cylinder.

- Turcon® piston seals can be installed more easily by heating to approximately 80 °C to 100 °C (expanding and then shrinking back to the original form).

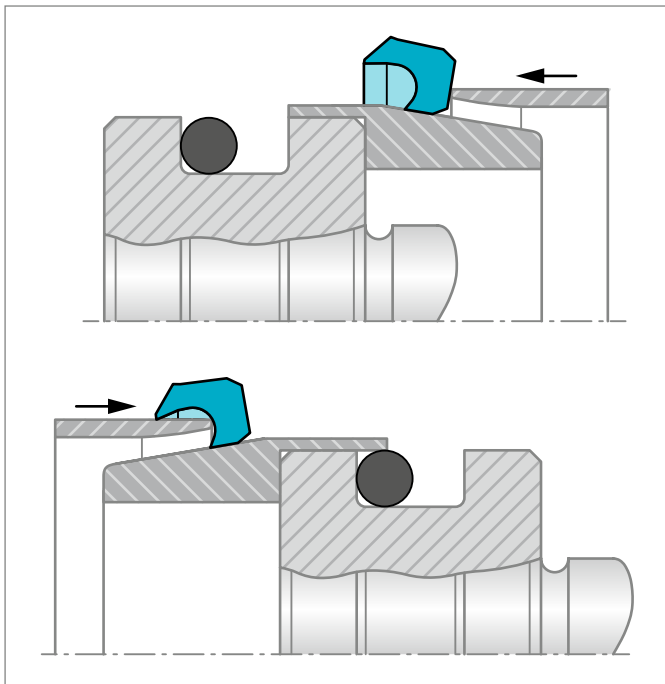


Figure 102: Installation of Piston VL Seal® in closed groove

**Table 81: Closed groove installation for VL Seal®**

Series No.	Material M12, T05, T29, T40, T46	Material M04, T08, T10, Z54	Material Z53, Z80,
	D <sub>N</sub> mm	D <sub>N</sub> mm	D <sub>N</sub> mm
PEL1	≥ 20	≥ 30	≥ 50
PEL2	≥ 40	≥ 50	≥ 75
PEL3	≥ 60	≥ 100	≥ 110
PEL4	≥ 125	≥ 135	≥ 150
PEL5	≥ 200	≥ 200	≥ 200
PEL6	≥ 400	≥ 400	≥ 400

**INSTALLATION OF SPRING ENERGIZED SEALS**

Turcon® Variseal® seals should preferably be installed in split grooves. Installation in half-open grooves is possible with a snap fitting. Figure 103 shows the design of the groove.

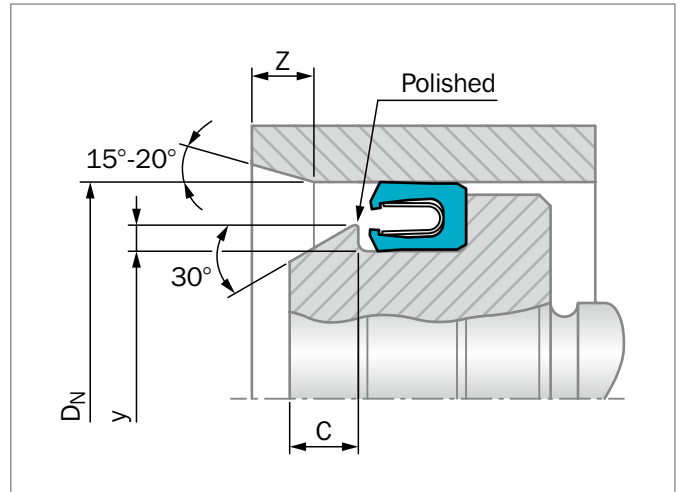


Figure 103: Installation in a half-open groove

**Table 82: Installation in Half-Open Grooves**

Series No.	D <sub>N</sub> min.	Y min.	Z min.	C min.
PVA0	11.0	0.4	1.20	0.70
PVA1	17.5	0.6	1.50	1.10
PVA2	20.0	0.7	2.50	1.25
PVA3	28.0	0.8	4.50	1.40
PVA4	45.0	0.9	6.00	1.60
PVA5	100.0	1.5	11.00	2.60

For further details, see chapter Turcon® Variseal®.

In exceptional cases or with existing designs, an installation in closed grooves is also possible. The details in Table 82 should be regarded as guide values for installation.

**Table 83: Installation in closed grooves**

Series No.	D <sub>N</sub> mm
PVA0	35
PVA1	50
PVA2	70
PVA3	105
PVA4	140
PVA5	250

### INSTALLATION OF THE COMPACT SEAL

The Compact Seal can be installed in one-piece or split pistons. On one-piece pistons, the inner rubber-elastic sealing element is first installed in the middle of the groove diameter by expanding over the piston. Then the cut Back-up Ring are fitted on both sides of the sealing element and then the two cut guide rings are installed.

On split pistons the individual parts are installed in the following order: Guide ring, Back-up Ring, sealing element, Back-up Ring, Guide ring.

Before installation all seal parts, including piston and cylinder, should be oiled or greased.

### INSTALLATION OF AQ-SEAL® AND AQ-SEAL® 5 WITH QUAD-RING® OR BEAN SEAL

The same installation procedure for piston Glyd Ring® may be used for AQ-Seal® and AQ-Seal® 5 see pages 247 to 249 except for AQ-Seal® 5, which uses different groove sizes. However, the Quad-Ring® or Bean Seal should not be fitted until AQ-Seal® or AQ-Seal® 5 have been calibrated - see Figure 100.

### INSTALLATION HINT:

AQ-Seal® and AQ-Seal® 5 with Quad-Ring® or Bean Seal are normally supplied with the Quad-Ring® or Bean Seal uninstalled:

To assist mounting of the elastomer element after AQ-Seal® or AQ-Seal® 5 have been calibrated; dental floss could be helpful to avoid twisting of the Quad-Ring® or Bean Seal - see Figure 104.

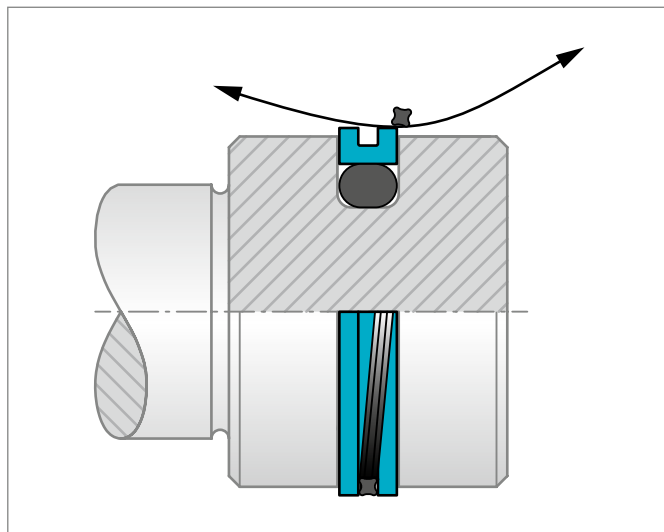


Figure 104: Installation of Quad-Ring® in AQ-Seal® for piston.

---

ⓘ This page is intentionally left blank.

# Turcon® Glyd Ring®



---

Double-acting

---

Rubber-energized plastic-faced seal

**Material:**

Turcon®, Zurcon® and Elastomer

---





---

! This page is intentionally left blank.



## ■ Turcon® Glyd Ring®



### ■ Description

Turcon® Glyd Ring® is a very effective and reliable low friction seal. It is particularly suitable as a piston seal in both high and low pressure systems.

The double-acting Glyd Ring® is a combination of a Turcon® based slipper seal and an energizing O-Ring. It has an interference fit which together with the squeeze of the O-Ring ensures a good sealing effect even at low pressure. At higher system pressures, the O-Ring is energised by the fluid, pushing Glyd Ring® against the sealing face with increased force.

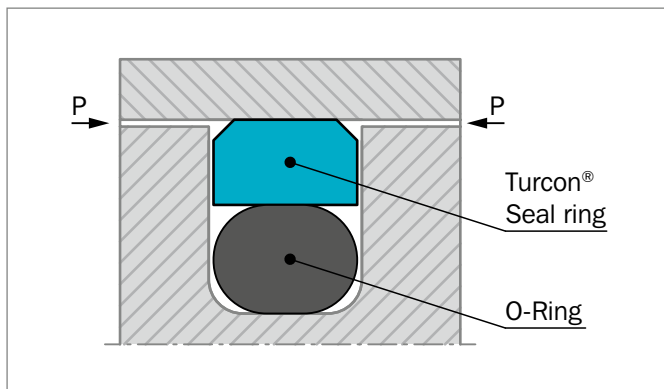


Figure 105: Turcon® Glyd Ring®

The geometry of Glyd Ring® ensures good static sealing and allows the lubricating hydrodynamic fluid film to be built under the seal in linear applications.

### ADVANTAGES

- No stick-slip effect when starting for smooth operation
- Minimum static and dynamic friction for a minimum energy loss and operating temperature
- Suitable for non lubricating fluids depending on seal material for optimum design flexibility
- High wear resistance ensures long service life
- Installation grooves acc. to ISO 7425-1 as well as Stepseal® standard groove dimensions
- No adhesive effect to the mating surface during long period of inactivity or storage
- Suitable for most hydraulic fluids in relation with most modern hardware materials and surface finish depending on material selected.
- Suitable for environmentally friendly hydraulic fluids
- Available for all cylinder diameters up to 2,700 mm.

### APPLICATION EXAMPLES

Over several decades Glyd Ring® has been successfully implemented in a large variety of applications as double acting Piston seals in hydraulic components such as:

- Injection molding machines
- Machine tools
- Presses
- Excavators
- Forklifts & handling machinery
- Agriculture equipment
- Valves for hydraulic & pneumatic circuits
- Servo equipment
- Pressure intensifiers
- Jacks

### OPERATING CONDITIONS

Glyd Ring® is recommended for linear (with a length of stroke at least twice the groove width) and helical movements.

<b>Pressure:</b>	Up to 60 MPa
<b>Speed:</b>	Up to 15 m/s
<b>Frequency:</b>	Up to 5 Hz.
<b>Temperature:</b>	-45 °C to +200 °C* depending on O-Ring material
<b>Media:</b>	Mineral oil-based hydraulic fluids, flame retardant hydraulic fluids, environmentally friendly hydraulic fluids (bio-oils), phosphate ester, water and others, depending on the seal and O-Ring material compatibility see Table 84
<b>Clearance:</b>	The maximum permissible radial clearance $S_{max}$ is shown in the Table 85 as a function of the operating pressure and functional diameter.

### IMPORTANT NOTE

The above data are maximum values and cannot be used at the same time, e.g. the maximum operating speed depends on material type, pressure, temperature and gap value. Temperature range also depends on media.

\* In the case of unpressurized applications in temperatures below 0 °C please contact your local Customer Solution Center for more information!



## NOTCHES

To assure that a rapid energising of the seal takes place at sudden changes of pressure and direction of motion, radial notches are made on both sides of the seal.

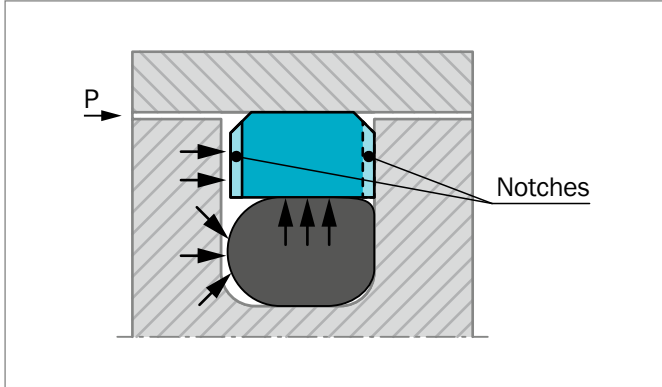


Figure 106: Turcon® Glyd Ring® with notches

Notches are standard on the following series and diameters  
 PG 42 for bore dia. > 30 mm  
 PG 44 for bore dia. > 20 mm  
 PG 46 for bore dia. > 40 mm

## INSTALLATION INSTRUCTIONS

Glyd Ring® is installed according to information on page 247 to 249.

Closed groove installation according to dimensions in Table 80 page 249.

## RECOMMENDED MATERIALS

The following material combinations have proven effective for hydraulic applications:

### Turcon® Glyd Ring® in Turcon® M12

All round material for light to heavy hydraulic applications with linear or helical movements in mineral oils, flame retardant hydraulic fluids, phosphate ester, bio-oils or fluids having low lubricating properties:

O-Ring:	NBR 70 Shore A	N
	FKM 70 Shore A	V

Set code: M12N or M12V

### Turcon® Glyd Ring® in Turcon® T46

For medium to heavy applications with linear movements in mineral oils and other medium with good lubrication:

O-Ring:	NBR 70 Shore A	N
	FKM 70 Shore A	V

Set code: T46N or T46V

For specific applications, all Turcon® materials are available. Other material combinations are listed in Table 84.

**Table 84: Turcon® and Zurcon® Materials for Glyd Ring®**

Material, Applications, Properties	Code	O-Ring Material Shore A	Code	O-Ring Operating Temp. * °C	Mating Surface Material	MPa max. Dynamic
<b>Turcon® M12</b> First material choice for seals in linear motion Overall improved properties For new constructions and updating For all commonly applied hydraulic fluids including fluids with low lubrication performance Lowest friction and best sliding properties Lowest wear on seals Improved absorption of abrasive contaminants Low wear or abrasion of counter surface BAM tested Mineral fiber and Additives filled Color: Dark gray	M12	NBR 70	N	-30 to +100	Steel	50
		NBR 70 Low temp.	T	-45 to +80	Steel hardened	
		FKM 70	V	-10 to +200	Cast iron Stainless steel Titanium	
<b>Turcon® T05</b> For lubricating fluids Also for gas service Very low friction Very good sliding and sealing properties Color: Turquoise	T05	NBR 70	N	-30 to +100	Steel	20
		NBR 70 Low temp.	T	-45 to +80	Steel hardened	
		FKM 70	V	-10 to +200		
<b>Turcon® T08</b> For lubricating fluids and linear motion Very high compressive strength and extrusion resistance Hard counter surfaces is recommended Bronze filled Color: Light to dark brown, which may have variations in shading	T08	NBR 70	N	-30 to +100	Steel hardened	60
		NBR 70 Low temp.	T	-45 to +80	Cast iron	
		FKM 70	V	-10 to +200		
<b>Turcon® T10</b> For hydraulic and pneumatic For lubricating and non-lubricating fluids High extrusion resistance Good chemical resistance Not for electrically conducting fluids BAM tested Carbon, graphite filled Color: Black	T10	NBR 70	N	-30 to +100	Steel	40
		NBR 70 Low temp.	T	-45 to +80	Steel hardened	
		FKM 70	V	-10 to +200	Stainless steel	
		EPDM 70	E**	-45 to +145		
<b>Turcon® T29</b> For lubricating and non-lubricating fluids Good extrusion resistance Surface texture is not suitable for gas sealing Not for electrically conducting fluids Carbon fiber filled Color: Gray	T29	NBR 70	N	-30 to +100	Steel	30
		NBR 70 Low temp.	T	-45 to +80	Steel hardened	
		FKM 70	V	-10 to +200	Cast iron	
		EPDM 70	E**	-45 to +145	Stainless steel	

Table continues on next page



Material, Applications, Properties	Code	O-Ring Material Shore A	Code	O-Ring Operating Temp.* °C	Mating Surface Material	MPa max. Dynamic
<b>Turcon® T40</b> For lubricating and non-lubricating fluids High frequency and short strokes <b>Water hydraulics</b> Surface texture is not suitable for gas sealing Carbon fiber filled Color: Gray	T40	NBR 70	N	-30 to +100	Steel	25
		NBR 70 Low temp.	T	-45 to +80	Steel hardened Cast iron Stainless steel Aluminum	
		FKM 70	V	-10 to +200		
		EPDM 70	E**	-45 to +145		
<b>Turcon® T46</b> For lubricated hydraulics in linear motion High compressive strength High extrusion resistance Very good sliding and wear properties BAM tested Bronze filled Color: Light to dark brown, which may have variations in shading	T46	NBR 70	N	-30 to +100	Steel hardened Cast iron	50
		NBR 70 Low temp.	T	-45 to +80		
		FKM 70	V	-10 to +200		
<b>Zurcon® Z53***</b> For mineral oil based fluids <b>Very high abrasion and extrusion resistance</b> For counter surface with rougher surface finish Limited chemical resistance Max. working temperature 110 °C Cast polyurethane Color: Yellow to light-brown	Z53	NBR 70	N	-30 to +100	Steel	60
		NBR 70 Low temp.	T	-45 to +80	Steel hardened Steel chrome plated (rod) Cast iron Stainless steel Ceramic coating	
<b>Zurcon® Z80</b> For lubricating and non-lubricating fluids Water based fluids, air and gases Dry air pneumatics High abrasion and extrusion resistance For service in abrasive conditions and medium with particles Good chemical resistance Limited temperature capability (-60 to +80 °C) UHMWPE (Ultra High Molecular Weight Polyethylene) Color: White to off-white	Z80	NBR 70	N	-30 to +100	Steel	35
		NBR 70 Low temp.	T	-45 to +80	Steel hardened Stainless steel Aluminum Ceramic coating	
		EPDM 70	E**	-45 to +145		

\* The O-Ring Operation Temperature is only valid in mineral hydraulic oil (except EPDM).

\*\* Material not suitable for mineral oils.

\*\*\* Max. diameter 2,300 mm.

BAM: Tested by "Bundesanstalt Materialprüfung, Germany".

Highlighted materials are recommended.



## Installation Recommendation

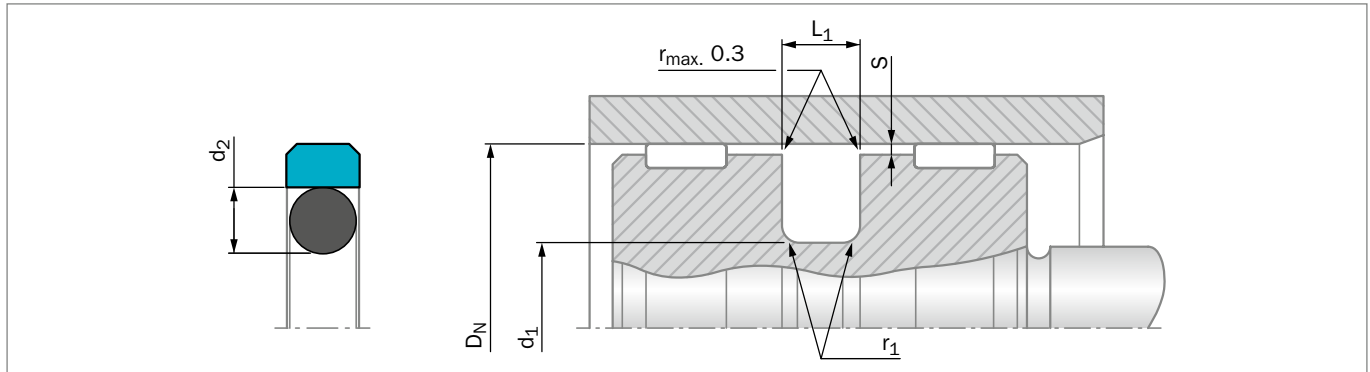


Figure 107: Installation Drawing

Table 85: Installation Dimensions – Standard Recommendations

Bore Diameter $D_N$ H9			Groove Diameter	Groove Width	Radius	Radial Clearance $S_{max}^*$			O-Ring Cross Section
Series No. PG 44 Standard Application	Series No. PG 46 Light Application	Series No. PG 42 Heavy Duty Application	$d_1$ h9	$L_1$ +0.2	$r_1$ max	10 MPa	20 MPa	40 MPa	$d_2$
8 - 14.9	15 - 39.9	-	$D_N - 4.9$	2.2	0.4	0.30	0.20	0.15	1.78
15 - 39.9	40 - 79.9	8 - 14.9	$D_N - 7.5$	3.2	0.6	0.40	0.25	0.15	2.62
40 - 79.9	80 - 132.9	15 - 39.9	$D_N - 11.0$	4.2	1.0	0.40	0.25	0.20	3.53
80 - 132.9	133 - 329.9	40 - 79.9	$D_N - 15.5$	6.3	1.3	0.50	0.30	0.20	5.33
133 - 329.9	330 - 669.9	80 - 132.9	$D_N - 21.0$	8.1	1.8	0.60	0.35	0.25	7.00
330 - 669.9	670 - 999.9	133 - 329.9	$D_N - 24.5$	8.1	1.8	0.60	0.35	0.25	7.00
670 - 999.9	1,000 - 1,200	330 - 669.9	$D_N - 28.0$	9.5	2.5	0.70	0.50	0.30	8.40
1,000 - 2,700**	-	670 - 999.9	$D_N - 38.0$	13.8	3.0	1.00	0.70	0.60	12.00

\* At pressures > 40 MPa use diameter tolerance H8/f8 (bore/piston) in the area of the seal or consult your local Customer Solution Center for alternative material or profiles.

Slydring® / Wear Rings are not applicable at very small radial clearances please consult the Slydring® section in this catalog.

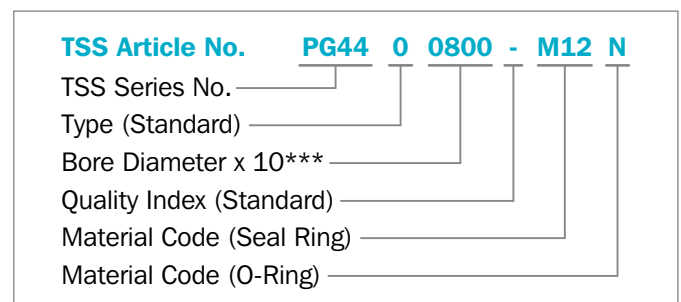
\*\* O-Rings with 12 mm cross section are delivered as special profile ring.

### ORDERING EXAMPLE

Turcon® Glyd Ring® complete with O-Ring, standard application:

<b>Series:</b>	PG44 from Table 85
<b>Bore Diameter:</b>	$D_N = 80.0$ mm
<b>TSS Part No.:</b>	PG4400800 from Table 86

Select the material from Table 84. The corresponding code numbers are appended to the TSS Part No. Together these form the TSS Article Number. The TSS Article Number for all intermediate sizes can be determined by following the example:



\*\*\* For diameters  $D_N \geq 1,000.0$  mm multiply only by factor 1.  
 Example: PG44 for diameter  $D_N = 1,200.0$  mm  
 TSS Article No.: PG44**X1200** - M12N



**Table 86: Installation Dimensions / TSS Part No.**

Bore Dia.	Groove Dia.	Groove Width	TSS Part No.	O-Ring Size	Bore Dia.	Groove Dia.	Groove Width	TSS Part No.	O-Ring Size
D <sub>N</sub> H9	d <sub>1</sub> h9	L <sub>1</sub> +0.2			D <sub>N</sub> H9	d <sub>1</sub> h9	L <sub>1</sub> +0.2		
8.0	3.1	2.2	PG4400080	2.57 x 1.78	<b>50.0</b>	<b>34.5</b>	<b>6.3</b>	<b>PG4200500</b>	<b>32.69 x 5.33</b>
10.0	5.1	2.2	PG4400100	4.80 x 1.80	50.8	43.3	3.2	PG4600508	42.52 x 2.62
12.0	7.1	2.2	PG4400120	6.70 x 1.80	50.8	39.8	4.2	PG4400508	37.69 x 3.53
14.0	9.1	2.2	PG4400140	8.75 x 1.80	52.0	41.0	4.2	PG4400520	40.87 x 3.53
15.0	7.5	3.2	PG4400150	7.00 x 2.62	53.0	42.0	4.2	PG4400530	40.87 x 3.53
<b>16.0</b>	<b>11.1</b>	<b>2.2</b>	<b>PG4600160</b>	<b>10.60 x 1.80</b>	55.0	44.0	4.2	PG4400550	44.04 x 3.53
<b>16.0</b>	<b>8.5</b>	<b>3.2</b>	<b>PG4400160</b>	<b>7.59 x 2.62</b>	57.0	46.0	4.2	PG4400570	44.04 x 3.53
18.0	13.1	2.2	PG4600180	12.42 x 1.78	58.0	47.0	4.2	PG4400580	47.22 x 3.53
18.0	10.5	3.2	PG4400180	9.19 x 2.62	60.0	49.0	4.2	PG4400600	47.22 x 3.53
19.05	11.5	3.2	PG4400190	10.77 x 2.62	62.0	51.0	4.2	PG4400620	50.39 x 3.53
<b>20.0</b>	<b>15.1</b>	<b>2.2</b>	<b>PG4600200</b>	<b>14.00 x 1.78</b>	<b>63.0</b>	<b>52.0</b>	<b>4.2</b>	<b>PG4400630</b>	<b>50.39 x 3.53</b>
<b>20.0</b>	<b>12.5</b>	<b>3.2</b>	<b>PG4400200</b>	<b>12.37 x 2.62</b>	<b>63.0</b>	<b>47.5</b>	<b>6.3</b>	<b>PG4200630</b>	<b>46.99 x 5.33</b>
21.0	13.5	3.2	PG4400210	12.37 x 2.62	65.0	54.0	4.2	PG4400650	53.57 x 3.53
22.0	17.1	2.2	PG4600220	17.17 x 1.78	68.0	57.0	4.2	PG4400680	56.74 x 3.53
22.0	14.5	3.2	PG4400220	13.94 x 2.62	70.0	62.5	3.2	PG4600700	61.60 x 2.62
24.0	16.5	3.2	PG4400240	15.54 x 2.62	70.0	59.0	4.2	PG4400700	56.74 x 3.53
<b>25.0</b>	<b>20.1</b>	<b>2.2</b>	<b>PG4600250</b>	<b>19.00 x 1.80</b>	70.0	54.5	6.3	PG4200700	53.34 x 5.33
<b>25.0</b>	<b>17.5</b>	<b>3.2</b>	<b>PG4400250</b>	<b>17.12 x 2.62</b>	75.0	64.0	4.2	PG4400750	63.09 x 3.53
<b>25.0</b>	<b>14.0</b>	<b>4.2</b>	<b>PG4200250</b>	<b>13.87 x 3.53</b>	75.0	59.5	6.3	PG4200750	56.52 x 5.33
25.4	20.5	2.2	PG4600254	20.35 x 1.78	<b>80.0</b>	<b>69.0</b>	<b>4.2</b>	<b>PG4600800</b>	<b>66.27 x 3.53</b>
28.0	20.5	3.2	PG4400280	20.29 x 2.62	<b>80.0</b>	<b>64.5</b>	<b>6.3</b>	<b>PG4400800</b>	<b>62.87 x 5.33</b>
30.0	25.1	2.2	PG4600300	25.12 x 1.78	<b>80.0</b>	<b>59.0</b>	<b>8.1</b>	<b>PG4200800</b>	<b>58.00 x 7.00</b>
30.0	22.5	3.2	PG4400300	21.89 x 2.62	82.5	67.0	6.3	PG4400825	66.04 x 5.33
<b>32.0</b>	<b>27.1</b>	<b>2.2</b>	<b>PG4600320</b>	<b>26.70 x 1.78</b>	85.0	69.5	6.3	PG4400850	69.22 x 5.33
<b>32.0</b>	<b>24.5</b>	<b>3.2</b>	<b>PG4400320</b>	<b>23.47 x 2.62</b>	85.0	64.0	8.1	PG4200850	63.00 x 7.00
<b>32.0</b>	<b>21.0</b>	<b>4.2</b>	<b>PG4200320</b>	<b>20.22 x 3.53</b>	90.0	79.0	4.2	PG4600900	78.97 x 3.53
34.0	29.1	2.2	PG4600340	28.30 x 1.78	90.0	74.5	6.3	PG4400900	72.39 x 5.33
35.0	27.5	3.2	PG4400350	26.64 x 2.62	90.0	69.0	8.1	PG4200900	68.00 x 7.00
35.0	24.0	4.2	PG4200350	23.40 x 3.53	95.0	84.0	4.2	PG4600950	82.14 x 3.53
36.0	28.5	3.2	PG4400360	28.24 x 2.62	95.0	79.5	6.3	PG4400950	78.74 x 5.33
38.0	33.1	2.2	PG4600380	33.05 x 1.78	95.0	74.0	8.1	PG4200950	73.00 x 7.00
38.0	30.5	3.2	PG4400380	29.82 x 2.62	<b>100.0</b>	<b>89.0</b>	<b>4.2</b>	<b>PG4601000</b>	<b>88.49 x 3.53</b>
<b>40.0</b>	<b>32.5</b>	<b>3.2</b>	<b>PG4600400</b>	<b>31.42 x 2.62</b>	<b>100.0</b>	<b>84.5</b>	<b>6.3</b>	<b>PG4401000</b>	<b>81.92 x 5.33</b>
<b>40.0</b>	<b>29.0</b>	<b>4.2</b>	<b>PG4400400</b>	<b>28.17 x 3.53</b>	<b>100.0</b>	<b>79.0</b>	<b>8.1</b>	<b>PG4201000</b>	<b>78.00 x 7.00</b>
42.0	31.0	4.2	PG4400420	29.75 x 3.53	101.6	86.1	6.3	PG4401016	85.09 x 5.33
44.45	36.9	3.2	PG4600444	36.17 x 2.62	105.0	94.0	4.2	PG4601050	91.67 x 3.53
45.0	34.0	4.2	PG4400450	32.92 x 3.53	105.0	89.5	6.3	PG4401050	88.27 x 5.33
48.0	37.0	4.2	PG4400480	36.09 x 3.53	108.0	92.5	6.3	PG4401080	91.44 x 5.33
<b>50.0</b>	<b>42.5</b>	<b>3.2</b>	<b>PG4600500</b>	<b>40.94 x 2.62</b>	110.0	99.0	4.2	PG4601100	98.02 x 3.53
<b>50.0</b>	<b>39.0</b>	<b>4.2</b>	<b>PG4400500</b>	<b>37.69 x 3.53</b>	110.0	94.5	6.3	PG4401100	91.44 x 5.33



Bore Dia.	Groove Dia.	Groove Width	TSS Part No.	O-Ring Size	Bore Dia.	Groove Dia.	Groove Width	TSS Part No.	O-Ring Size
D <sub>N</sub> H9	d <sub>1</sub> h9	L <sub>1</sub> +0.2			D <sub>N</sub> H9	d <sub>1</sub> h9	L <sub>1</sub> +0.2		
110.0	89.0	8.1	PG4201100	88.00 x 7.00	<b>250.0</b>	<b>225.5</b>	<b>8.1</b>	<b>PG4202500</b>	<b>227.97 x 7.00</b>
115.0	99.5	6.3	PG4401150	97.79 x 5.33	254.0	233.0	8.1	PG4402540	227.97 x 7.00
120.0	109.0	4.2	PG4601200	107.54 x 3.53	260.0	239.0	8.1	PG4402600	240.67 x 7.00
120.0	104.5	6.3	PG4401200	100.97 x 5.33	265.0	244.0	8.1	PG4402650	240.67 x 7.00
120.0	99.0	8.1	PG4201200	98.00 x 7.00	268.0	247.0	8.1	PG4402680	240.67 x 7.00
<b>125.0</b>	<b>114.0</b>	<b>4.2</b>	<b>PG4601250</b>	<b>113.89 x 3.53</b>	270.0	249.0	8.1	PG4402700	240.67 x 7.00
<b>125.0</b>	<b>109.5</b>	<b>6.3</b>	<b>PG4401250</b>	<b>107.32 x 5.33</b>	280.0	259.0	8.1	PG4402800	253.37 x 7.00
<b>125.0</b>	<b>104.0</b>	<b>8.1</b>	<b>PG4201250</b>	<b>103.00 x 7.00</b>	290.0	269.0	8.1	PG4402900	266.07 x 7.00
127.0	111.5	6.3	PG4401270	110.49 x 5.33	300.0	279.0	8.1	PG4403000	278.77 x 7.00
130.0	114.5	6.3	PG4401300	113.67 x 5.33	300.0	275.5	8.1	PG4203000	266.07 x 7.00
130.0	105.5	8.1	PG4201300	104.00 x 7.00	304.8	283.8	8.1	PG4403048	278.77 x 7.00
132.0	121.0	4.2	PG4601320	120.24 x 3.53	310.0	289.0	8.1	PG4403100	278.77 x 7.00
135.0	114.0	8.1	PG4401350	113.67 x 7.00	<b>320.0</b>	<b>299.0</b>	<b>8.1</b>	<b>PG4403200</b>	<b>291.47 x 7.00</b>
140.0	124.5	6.3	PG4601400	123.19 x 5.33	<b>320.0</b>	<b>295.5</b>	<b>8.1</b>	<b>PG4203200</b>	<b>291.47 x 7.00</b>
140.0	119.0	8.1	PG4401400	116.84 x 7.00	330.0	305.5	8.1	PG4403300	304.17 x 7.00
145.0	129.5	6.3	PG4601450	126.37 x 5.33	340.0	315.5	8.1	PG4403400	316.87 x 7.00
145.0	124.0	8.1	PG4401450	123.19 x 7.00	350.0	325.5	8.1	PG4403500	316.87 x 7.00
150.0	134.5	6.3	PG4601500	132.72 x 5.33	360.0	335.5	8.1	PG4403600	329.57 x 7.00
150.0	129.0	8.1	PG4401500	126.37 x 7.00	370.0	345.5	8.1	PG4403700	342.27 x 7.00
155.0	134.0	8.1	PG4401550	132.72 x 7.00	380.0	355.5	8.1	PG4403800	354.97 x 7.00
<b>160.0</b>	<b>144.5</b>	<b>6.3</b>	<b>PG4601600</b>	<b>142.24 x 5.33</b>	<b>400.0</b>	<b>375.5</b>	<b>8.1</b>	<b>PG4404000</b>	<b>367.67 x 7.00</b>
<b>160.0</b>	<b>139.0</b>	<b>8.1</b>	<b>PG4401600</b>	<b>135.89 x 7.00</b>	420.0	395.5	8.1	PG4404200	393.07 x 7.00
165.0	144.0	8.1	PG4401650	142.24 x 7.00	430.0	405.5	8.1	PG4404300	405.26 x 7.00
170.0	149.0	8.1	PG4401700	145.42 x 7.00	440.0	415.5	8.1	PG4404400	405.26 x 7.00
175.0	154.0	8.1	PG4401750	151.77 x 7.00	450.0	425.5	8.1	PG4404500	417.96 x 7.00
180.0	164.5	6.3	PG4601800	164.47 x 5.33	460.0	435.5	8.1	PG4404600	430.66 x 7.00
180.0	159.0	8.1	PG4401800	158.12 x 7.00	480.0	455.5	8.1	PG4404800	456.06 x 7.00
190.0	169.0	8.1	PG4401900	164.47 x 7.00	<b>500.0</b>	<b>475.5</b>	<b>8.1</b>	<b>PG4405000</b>	<b>468.76 x 7.00</b>
194.0	178.5	6.3	PG4601940	177.17 x 5.33	555.0	530.5	8.1	PG4405550	532.26 x 7.00
<b>200.0</b>	<b>184.5</b>	<b>6.3</b>	<b>PG4602000</b>	<b>183.52 x 5.33</b>	600.0	575.5	8.1	PG4406000	557.66 x 7.00
<b>200.0</b>	<b>179.0</b>	<b>8.1</b>	<b>PG4402000</b>	<b>177.17 x 7.00</b>	640.0	615.5	8.1	PG4406400	608.08 x 7.00
205.0	184.0	8.1	PG4402050	183.52 x 7.00	660.0	635.5	8.1	PG4406600	633.48 x 7.00
210.0	189.0	8.1	PG4402100	183.52 x 7.00	700.0	672.0	9.5	PG4407000	670.00 x 8.40
215.0	194.0	8.1	PG4402150	189.87 x 7.00	710.0	682.0	9.5	PG4407100	680.00 x 8.40
220.0	199.0	8.1	PG4402200	196.22 x 7.00	740.0	712.0	9.5	PG4407400	710.00 x 8.40
230.0	214.5	6.3	PG4602300	208.92 x 5.33	780.0	752.0	9.5	PG4407800	750.00 x 8.40
230.0	209.0	8.1	PG4402300	202.57 x 7.00	800.0	772.0	9.5	PG4408000	770.00 x 8.40
240.0	219.0	8.1	PG4402400	215.27 x 7.00	900.0	872.0	9.5	PG4409000	870.00 x 8.40
<b>250.0</b>	<b>234.5</b>	<b>6.3</b>	<b>PG4602500</b>	<b>234.32 x 5.33</b>	1,000.0	972.0	9.5	PG46X1000	970.00 x 8.40
<b>250.0</b>	<b>229.0</b>	<b>8.1</b>	<b>PG4402500</b>	<b>227.97 x 7.00</b>	1,000.0	962.0	13.8	PG44X1000	960.00 x 12.00





<b>Bore Dia.</b>	<b>Groove Dia.</b>	<b>Groove Width</b>	<b>TSS Part No.</b>	<b>O-Ring Size</b>
<b>D<sub>N</sub></b> H9	<b>d<sub>1</sub></b> h9	<b>L<sub>1</sub></b> +0.2		
1,050.0	1,022.0	9.5	<a href="#">PG46X1050</a>	1,020.00 x 8.40
1,065.0	1,027.0	13.8	<a href="#">PG44X1065</a>	1,025.00 x 12.00
1,070.0	1,032.0	13.8	<a href="#">PG44X1070</a>	1,030.00 x 12.00
1,200.0	1,172.0	9.5	<a href="#">PG46X1200</a>	1,170.00 x 8.40
1,200.0	1,162.0	13.8	<a href="#">PG44X1200</a>	1,160.00 x 12.00
1,225.0	1,187.0	13.8	<a href="#">PG44X1225</a>	1,185.00 x 12.00
1,500.0	1,462.0	13.8	<a href="#">PG44X1500</a>	1,460.00 x 12.00
2,000.0	1,962.0	13.8	<a href="#">PG44X2000</a>	1,960.00 x 12.00
2,700.0	2,662.0	13.8	<a href="#">PG44X2700</a>	2,660.00 x 12.00

All dimensions in **bold** type are suitable for installation in grooves to ISO 7425-1, bore dia. in accordance with ISO 3320. Other dimensions and all intermediate sizes up to 2,700 mm dia. including inch sizes can be supplied.

All O-Rings with 12 mm cross section are delivered as special profile ring.

# Turcon® Glyd Ring® T



---

Double-acting

---

Rubber-energized plastic-faced seal

**Material:**

---

Turcon®, Zurcon® and Elastomer

---



---

! This page is intentionally left blank.



## Turcon® Glyd Ring® T\*



### Description

Turcon® Glyd Ring® T is a further technical development of Turcon® Glyd Ring®. It is fully interchangeable with earlier Glyd Ring® seals in all new applications.

The main benefits of the patented seal are provided by the innovative functional principle of the trapezoidal profile cross section. The sides of the seal profile tapers towards the seal surface. The profile can thus retain the robust and compact form typical of piston seals without losing any of the flexibility required to achieve a pressure-related maximum compression see Figure 108.

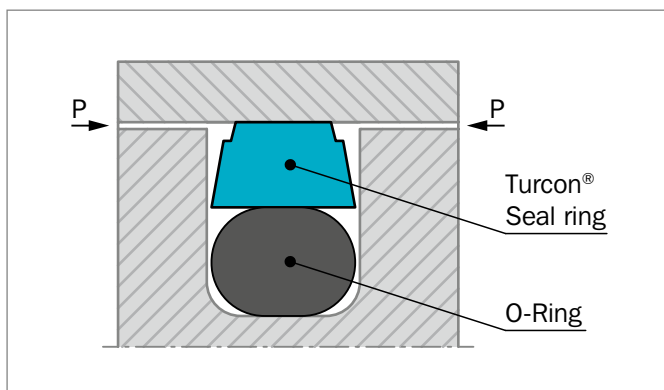


Figure 108: Turcon® Glyd Ring® T

The edge angle of Glyd Ring® T permits an additional degree of freedom and enables a slight tilting movement of the seal. The maximum compression is thus always shifted towards the area of the seal edge directly exposed to the pressure.

On the low-pressure edge of the seal Glyd Ring® T exhibits only zones with neutral strains without compressive or shearing loads, thus effectively reducing the danger of gap extrusion. The resulting benefits are as follows:

### ADVANTAGES

- Very good static sealing performance
- Increased clearance possible (approximately +50%), depending on the operating conditions
- Due to the larger extrusion gap, safe use even with soiled media
- Low friction, no stick-slip effect
- Simple groove design, one-piece pistons possible
- Installation grooves to ISO 7425-1 as well as Stepseal® standard groove dimensions

- Adaptable to the operating conditions due to a wide range of materials (Turcon®, Zurcon®)
- Suitable for environmentally friendly hydraulic fluids
- Available for all cylinder diameters up to 2,700 mm.

### APPLICATION EXAMPLES

Turcon® Glyd Ring® T is the recommended sealing element for double acting pistons of hydraulic components such as:

- Injection molding machines
- Machine tools
- Presses
- Excavators
- Forklifts & handling machinery
- Agriculture
- Valves for hydraulic & pneumatic circuits.
- Servo equipment
- Pressure intensifiers
- Jacks

It is particularly recommended for heavy duty and large diameter applications.

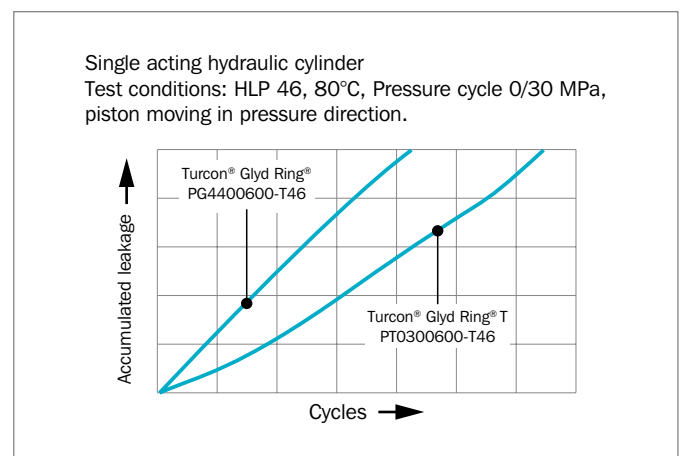


Figure 109: Dynamic leakage Turcon® Glyd Ring® T / Turcon® Glyd Ring® as single-acting piston seal

\* Patent application: WO 92/19893 A1



## OPERATING CONDITIONS

<b>Pressure:</b>	Up to 60 MPa
<b>Speed:</b>	Up to 15 m/s
<b>Temperature:</b>	-45 °C to +200 °C * depending on O-Ring material
<b>Media:</b>	Mineral oil-based hydraulic fluids, flame retardant hydraulic fluids, environmentally friendly hydraulic fluids (bio-oils), phosphate ester, water, air and others, depending on the seal and O-Ring material compatibility see Table 88.
<b>Clearance:</b>	The maximum permissible radial clearance $S_{max}$ is shown in Table 89, as a function of the operating pressure and functional diameter.

### IMPORTANT NOTE

The above data are maximum values and cannot be used at the same time, e.g. the maximum operating speed depends on material type, pressure, temperature and gap value. Temperature range also depends on media.

\* In the case of unpressurized applications in temperatures below 0 °C please contact your local Customer Solution Center for more information!

## SERIES

Different cross section sizes are recommended as a function of the seal diameters.

Table 89, shows the relationship between the series number according to the seal diameter range and the different application class sizes:

Standard application:	General applications without exceptional operating conditions.
Light application:	Applications with demands for reduced friction or for smaller grooves.
Heavy-duty application:	For exceptional operating loads such as high pressures, pressure peaks, etc.

**Table 87: Available Range**

Series No.	Piston Diameter D <sub>N</sub> H9
PT00	8.0 - 140.0
PT01	8.0 - 200.0
PT02	16.0 - 380.0
PT03	40.0 - 480.0
PT04	80.0 - 700.0
PT08	133.0 - 999.9
PT05	310.0 - 999.9
PT05X	1,000.0 - 1,200.0
PT06	670.0 - 999.9
PT06X	1,000.0 - 2,700.0

For the recommended Standard Application range see Table 89.

## INSTALLATION INSTRUCTIONS

Glyd Ring® T is installed according to information on page 247 to 249

Closed groove installation applies same dimensions as for Turcon® Glyd Ring® in Table 80 page 249.

## RECOMMENDED MATERIALS

The following material combinations have proven effective for hydraulic applications:

### Turcon® Glyd Ring® T in Turcon® M12

All round material for light to heavy hydraulic applications with linear or helical movements in mineral oils, flame retardant hydraulic fluids HFC, phosphate ester, bio-oils or fluids having low lubricating properties.

O-Ring:	NBR 70 Shore A	N
	FKM 70 Shore A	V

Set code: M12N or M12V

### Turcon® Glyd Ring® T in Turcon® T46

For medium to heavy applications with linear movements in mineral oils and other media with good lubrication:

O-Ring:	NBR 70 Shore A	N
	FKM 70 Shore A	V

Set code: T46N or T46V

For specific applications, all Turcon® materials are available. Other material combinations are listed in Table 88.

**Table 88: Turcon® and Zurcon® Materials for Glyd Ring® T**

Material, Applications, Properties	Code	O-Ring Material Shore A	Code	O-Ring Operating Temp.* °C	Mating Surface Material	MPa max. Dynamic
<b>Turcon® M12</b> First material choice for seals in linear motion Overall improved properties For new constructions and updating For all commonly applied hydraulic fluids including fluids with low lubrication performance Lowest friction and best sliding properties Lowest wear on seals Improved absorption of abrasive contaminants Low wear or abrasion of counter surface BAM tested Mineral fiber and Additives filled Color: Dark gray	M12	NBR 70	N	-30 to +100	Steel	40
		NBR 70 Low temp.	T	-45 to +80	Steel hardened Cast iron	
		FKM 70	V	-10 to +200	Stainless steel Titanium	
<b>Turcon® T40</b> For lubricating and non-lubricating fluids Water hydraulics Surface texture is not suitable for gas sealing Carbon fiber filled Color: Gray	T40	NBR 70	N	-30 to +100	Steel	25
		NBR 70 Low temp.	T	-45 to +80	Steel hardened Cast iron	
		FKM 70	V	-10 to +200	Stainless steel Aluminum	
		EPDM 70	E**	-45 to +145		
<b>Turcon® T46</b> For lubricated hydraulics in linear motion High compressive strength High extrusion resistance Very good sliding and wear properties BAM tested Bronze filled Color: Light to dark brown, which may have variations in shading	T46	NBR 70	N	-30 to +100	Steel hardened	50
		NBR 70 Low temp.	T	-45 to +80	Cast iron	
		FKM 70	V	-10 to +200		

Table continues on next page



Material, Applications, Properties	Code	O-Ring Material Shore A	Code	O-Ring Operating Temp.* °C	Mating Surface Material	MPa max. Dynamic
<b>Zurcon® Z53***</b> For mineral oil based fluids Very high abrasion and extrusion resistance For counter surface with rougher surface finish Limited chemical resistance Max. working temperature 110 °C Cast polyurethane Color: Yellow to light-brown	Z53	NBR 70	N	-30 to +100	Steel	60
		NBR 70 Low temp.	T	-45 to +80	Steel hardened Steel chrome plated (rod) Cast iron Stainless steel Ceramic coating	
<b>Zurcon® Z80</b> For lubricating and non-lubricating fluids Water based fluids, air and gases Dry air pneumatics High abrasion and extrusion resistance For service in abrasive conditions and media with particles Good chemical resistance Limited temperature capability (-60 to +80 °C) UHMWPE (Ultra High Molecular Weight Polyethylene) Color: White to off-white	Z80	NBR 70	N	-30 to +100	Steel	35
		NBR 70 Low temp.	T	-45 to +80	Steel hardened Stainless steel Aluminum Ceramic coating	
		EPDM 70	E**	-45 to +145		

\* The O-Ring Operation Temperature is only valid in mineral hydraulic oil (except EPDM).

\*\* Material not suitable for mineral oils.

\*\*\* Max. diameter 2,300 mm.

BAM: Tested by "Bundesanstalt Materialprüfung, Germany".

  Highlighted materials are recommended.



## Installation Recommendation

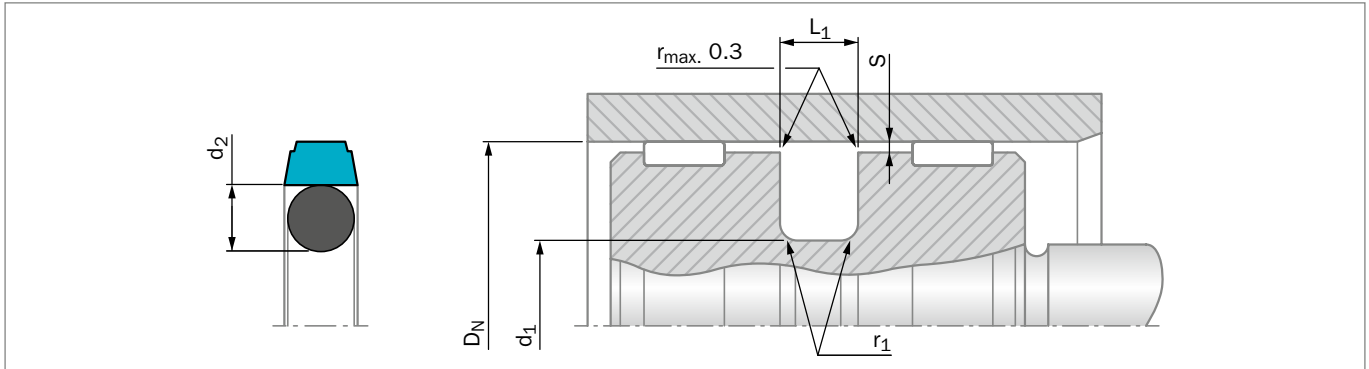


Figure 110: Installation Drawing

Table 89: Installation Dimensions – Standard Recommendations

Series No.	Bore Diameter $D_N$ H9			Groove Diameter $d_1$ h9	Groove Width $L_1 + 0.2$	Radius $r_1$ max	Radial Clearance $S_{max}^*$			O-Ring Cross Section $d_2$
	Standard Application	Light Application	Heavy Duty Application				10 MPa	20 MPa	40 MPa	
PT00	8 - 15.9	16 - 39.9	-	$D_N - 4.9$	2.2	0.4	0.40	0.30	0.20	1.78
PT01	16 - 39.9	40 - 79.9	-	$D_N - 7.5$	3.2	0.6	0.60	0.50	0.30	2.62
PT02	40 - 79.9	80 - 132.9	16 - 39.9	$D_N - 11.0$	4.2	1.0	0.70	0.50	0.30	3.53
PT03	80 - 132.9	133 - 329.9	40 - 79.9	$D_N - 15.5$	6.3	1.3	0.80	0.60	0.40	5.33
PT04	133 - 329.9	330 - 669.9	80 - 132.9	$D_N - 21.0$	8.1	1.8	0.80	0.60	0.40	7.00
PT08	330 - 669.9	670 - 999.9	133 - 329.9	$D_N - 24.5$	8.1	1.8	0.90	0.70	0.50	7.00
PT05	670 - 999.9	-	310 - 669.9	$D_N - 28.0$	9.5	2.5	1.00	0.80	0.60	8.40
PT05X	-	1,000 - 1,200	-	$D_N - 28.0$	9.5	2.5	1.00	0.80	0.60	8.40
PT06**	-	-	670 - 999.9	$D_N - 38.0$	13.8	3.0	1.20	0.90	0.70	12.00
PT06X**	1,000 - 2,700	-	-	$D_N - 38.0$	13.8	3.0	1.20	0.90	0.70	12.00

\* At pressures > 40 MPa use diameter tolerance H8/f8 (bore/piston) in the area of the seal or consult your local Customer Solution Center for alternative material or profiles.

Slydring® / Wear Rings are not applicable at very small radial clearances please consult the Slydring® section in this catalog.

\*\* O-Rings with 12 mm cross section are delivered as special profile ring.

### ORDERING EXAMPLE

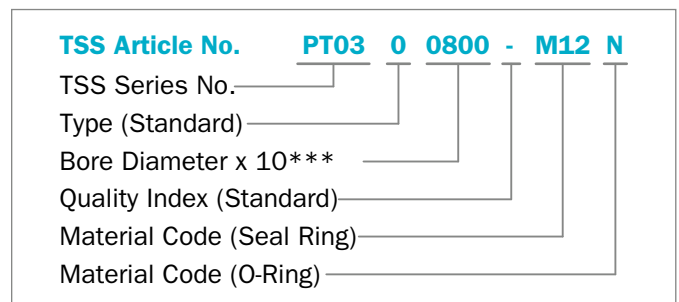
Turcon® Glyd Ring® T complete with O-Ring, standard application:

**Series:** PT03 from Table 89

**Bore diameter:**  $D_N = 80.0$  mm

**TSS Part No.:** PT0300800 from Table 90

Select the material from Table 88. The corresponding code numbers are appended to the TSS Part No. Together these form the TSS Article Number. The TSS Article Number for all intermediate sizes can be determined by following the example:



\*\*\* For diameters  $D_N \geq 1,000.0$  mm multiply only by factor 1.  
 Example: PT06 for diameter  $D_N = 1,200.0$  mm  
 TSS Article No.: PT06X1200 - M12N





**Table 90: Installation Dimensions / TSS Part No.**

Bore Dia.	Groove Dia.	Groove Width	TSS Part No.	O-Ring Dimensions	Bore Dia.	Groove Dia.	Groove Width	TSS Part No.	O-Ring Dimensions
$D_N$ H9	$d_1$ h9	$L_1$ +0.2			$D_N$ H9	$d_1$ h9	$L_1$ +0.2		
<b>8.0</b>	<b>3.1</b>	<b>2.2</b>	<b>PT0000080</b>	<b>2.57 x 1.78</b>	50.8	39.8	4.2	PT0200508	37.69 x 3.53
<b>10.0</b>	<b>5.1</b>	<b>2.2</b>	<b>PT0000100</b>	<b>4.47 x 1.78</b>	52.0	41.0	4.2	PT0200520	40.87 x 3.53
<b>12.0</b>	<b>7.1</b>	<b>2.2</b>	<b>PT0000120</b>	<b>6.70 x 1.80</b>	53.0	42.0	4.2	PT0200530	40.87 x 3.53
14.0	9.1	2.2	PT0000140	8.75 x 1.80	55.0	44.0	4.2	PT0200550	44.04 x 3.53
15.0	7.5	3.2	PT0100150	6.98 x 2.62	57.0	46.0	4.2	PT0200570	44.04 x 3.53
15.8	10.9	2.2	PT0000158	10.60 x 1.80	58.0	47.0	4.2	PT0200580	47.22 x 3.53
<b>16.0</b>	<b>11.1</b>	<b>2.2</b>	<b>PT0000160</b>	<b>10.60 x 1.80</b>	60.0	49.0	4.2	PT0200600	47.22 x 3.53
<b>16.0</b>	<b>8.5</b>	<b>3.2</b>	<b>PT0100160</b>	<b>7.59 x 2.62</b>	62.0	51.0	4.2	PT0200620	50.39 x 3.53
18.0	13.1	2.2	PT0000180	12.42 x 1.78	<b>63.0</b>	<b>52.0</b>	<b>4.2</b>	<b>PT0200630</b>	<b>50.39 x 3.53</b>
18.0	10.5	3.2	PT0100180	9.19 x 2.62	<b>63.0</b>	<b>47.5</b>	<b>6.3</b>	<b>PT0300630</b>	<b>46.99 x 5.33</b>
19.05	11.5	3.2	PT0100190	10.77 x 2.62	65.0	54.0	4.2	PT0200650	53.57 x 3.53
<b>20.0</b>	<b>15.1</b>	<b>2.2</b>	<b>PT0000200</b>	<b>14.00 x 1.78</b>	68.0	57.0	4.2	PT0200680	56.74 x 3.53
<b>20.0</b>	<b>12.5</b>	<b>3.2</b>	<b>PT0100200</b>	<b>12.37 x 2.62</b>	70.0	59.0	4.2	PT0200700	56.74 x 3.53
21.0	13.5	3.2	PT0100210	12.37 x 2.62	70.0	54.5	6.3	PT0300700	53.34 x 5.33
22.0	17.1	2.2	PT0000220	17.17 x 1.78	75.0	64.0	4.2	PT0200750	63.09 x 3.53
22.0	14.5	3.2	PT0100220	13.94 x 2.62	75.0	59.5	6.3	PT0300750	56.52 x 5.33
24.0	16.5	3.2	PT0100240	15.54 x 2.62	<b>80.0</b>	<b>69.0</b>	<b>4.2</b>	<b>PT0200800</b>	<b>66.27 x 3.53</b>
<b>25.0</b>	<b>20.1</b>	<b>2.2</b>	<b>PT0000250</b>	<b>19.00 x 1.80</b>	<b>80.0</b>	<b>64.5</b>	<b>6.3</b>	<b>PT0300800</b>	<b>62.87 x 5.33</b>
<b>25.0</b>	<b>17.5</b>	<b>3.2</b>	<b>PT0100250</b>	<b>17.12 x 2.62</b>	<b>80.0</b>	<b>59.0</b>	<b>8.1</b>	<b>PT0400800</b>	<b>58.00 x 7.00</b>
<b>25.0</b>	<b>14.0</b>	<b>4.2</b>	<b>PT0200250</b>	<b>13.87 x 3.53</b>	82.5	67.0	6.3	PT0300825	66.04 x 5.33
25.4	20.5	2.2	PT0000254	20.35 x 1.78	85.0	69.5	6.3	PT0300850	69.22 x 5.33
28.0	20.5	3.2	PT0100280	20.29 x 2.62	85.0	64.0	8.1	PT0400850	63.00 x 7.00
30.0	22.5	3.2	PT0100300	21.89 x 2.62	90.0	79.0	4.2	PT0200900	78.97 x 3.53
32.0	27.1	2.2	PT0000320	26.70 x 1.78	90.0	74.5	6.3	PT0300900	72.39 x 5.33
<b>32.0</b>	<b>24.5</b>	<b>3.2</b>	<b>PT0100320</b>	<b>23.47 x 2.62</b>	90.0	69.0	8.1	PT0400900	68.00 x 7.00
<b>32.0</b>	<b>21.0</b>	<b>4.2</b>	<b>PT0200320</b>	<b>20.22 x 3.53</b>	95.0	84.0	4.2	PT0200950	82.14 x 3.53
35.0	27.5	3.2	PT0100350	26.64 x 2.62	95.0	79.5	6.3	PT0300950	78.74 x 5.33
35.0	24.0	4.2	PT0200350	23.40 x 3.53	95.0	74.0	8.1	PT0400950	73.00 x 7.00
36.0	28.5	3.2	PT0100360	28.24 x 2.62	<b>100.0</b>	<b>89.0</b>	<b>4.2</b>	<b>PT0201000</b>	<b>88.49 x 3.53</b>
38.0	30.5	3.2	PT0100380	29.82 x 2.62	<b>100.0</b>	<b>84.5</b>	<b>6.3</b>	<b>PT0301000</b>	<b>81.92 x 5.33</b>
<b>40.0</b>	<b>32.5</b>	<b>3.2</b>	<b>PT0100400</b>	<b>31.42 x 2.62</b>	<b>100.0</b>	<b>79.0</b>	<b>8.1</b>	<b>PT0401000</b>	<b>78.00 x 7.00</b>
<b>40.0</b>	<b>29.0</b>	<b>4.2</b>	<b>PT0200400</b>	<b>28.17 x 3.53</b>	101.6	86.1	6.3	PT0301016	85.09 x 5.33
42.0	31.0	4.2	PT0200420	29.75 x 3.53	105.0	94.0	4.2	PT0201050	91.67 x 3.53
44.45	36.95	3.2	PT0100444	36.17 x 2.62	105.0	89.5	6.3	PT0301050	88.27 x 5.33
45.0	34.0	4.2	PT0200450	32.92 x 3.53	108.0	92.5	6.3	PT0301080	91.44 x 5.33
48.0	37.0	4.2	PT0200480	36.09 x 3.53	110.0	99.0	4.2	PT0201100	98.02 x 3.53
<b>50.0</b>	<b>42.5</b>	<b>3.2</b>	<b>PT0100500</b>	<b>40.94 x 2.62</b>	110.0	94.5	6.3	PT0301100	91.44 x 5.33
<b>50.0</b>	<b>39.0</b>	<b>4.2</b>	<b>PT0200500</b>	<b>37.69 x 3.53</b>	110.0	89.0	8.1	PT0401100	88.00 x 7.00
<b>50.0</b>	<b>34.5</b>	<b>6.3</b>	<b>PT0300500</b>	<b>32.69 x 5.33</b>	115.0	99.5	6.3	PT0301150	97.79 x 5.33
50.8	43.3	3.2	PT0100508	42.52 x 2.62	120.0	109.0	4.2	PT0201200	107.54 x 3.53



Bore Dia.	Groove Dia.	Groove Width	TSS Part No.	O-Ring Dimensions	Bore Dia.	Groove Dia.	Groove Width	TSS Part No.	O-Ring Dimensions
$D_N$ H9	$d_1$ h9	$L_1$ +0.2			$D_N$ H9	$d_1$ h9	$L_1$ +0.2		
120.0	104.5	6.3	PT0301200	100.97 x 5.33	265.0	244.0	8.1	PT0402650	240.67 x 7.00
120.0	99.0	8.1	PT0401200	98.00 x 7.00	268.0	247.0	8.1	PT0402680	240.67 x 7.00
<b>125.0</b>	<b>114.0</b>	<b>4.2</b>	<b>PT0201250</b>	<b>113.89 x 3.53</b>	270.0	249.0	8.1	PT0402700	240.67 x 7.00
<b>125.0</b>	<b>109.5</b>	<b>6.3</b>	<b>PT0301250</b>	<b>107.32 x 5.33</b>	280.0	259.0	8.1	PT0402800	253.37 x 7.00
<b>125.0</b>	<b>104.0</b>	<b>8.1</b>	<b>PT0401250</b>	<b>103.00 x 7.00</b>	290.0	269.0	8.1	PT0402900	266.07 x 7.00
127.0	111.5	6.3	PT0301270	110.49 x 5.33	300.0	279.0	8.1	PT0403000	278.77 x 7.00
130.0	114.5	6.3	PT0301300	113.67 x 5.33	300.0	275.5	8.1	PT0803000	266.07 x 7.00
130.0	109.0	8.1	PT0401300	108.00 x 7.00	304.8	283.8	8.1	PT0403048	278.77 x 7.00
132.0	121.0	4.2	PT0201320	120.24 x 3.53	310.0	289.0	8.1	PT0403100	278.77 x 7.00
135.0	114.0	8.1	PT0401350	113.67 x 7.00	<b>320.0</b>	<b>299.0</b>	<b>8.1</b>	<b>PT0403200</b>	<b>291.47 x 7.00</b>
140.0	124.5	6.3	PT0301400	123.19 x 5.33	<b>320.0</b>	<b>295.5</b>	<b>8.1</b>	<b>PT0803200</b>	<b>291.47 x 7.00</b>
140.0	119.0	8.1	PT0401400	116.84 x 7.00	330.0	305.5	8.1	PT0803300	304.17 x 7.00
145.0	129.5	6.3	PT0301450	126.37 x 5.33	340.0	315.5	8.1	PT0803400	316.87 x 7.00
145.0	124.0	8.1	PT0401450	123.19 x 7.00	350.0	325.5	8.1	PT0803500	316.87 x 7.00
150.0	134.5	6.3	PT0301500	132.72 x 5.33	360.0	335.5	8.1	PT0803600	329.57 x 7.00
150.0	129.0	8.1	PT0401500	126.37 x 7.00	370.0	345.5	8.1	PT0803700	342.27 x 7.00
155.0	134.0	8.1	PT0401550	132.72 x 7.00	380.0	355.5	8.1	PT0803800	354.97 x 7.00
<b>160.0</b>	<b>144.5</b>	<b>6.3</b>	<b>PT0301600</b>	<b>142.24 x 5.33</b>	<b>400.0</b>	<b>375.5</b>	<b>8.1</b>	<b>PT0804000</b>	<b>367.67 x 7.00</b>
<b>160.0</b>	<b>139.0</b>	<b>8.1</b>	<b>PT0401600</b>	<b>135.89 x 7.00</b>	420.0	395.5	8.1	PT0804200	393.07 x 7.00
165.0	144.0	8.1	PT0401650	142.24 x 7.00	430.0	405.5	8.1	PT0804300	405.26 x 7.00
170.0	149.0	8.1	PT0401700	145.42 x 7.00	440.0	415.5	8.1	PT0804400	405.26 x 7.00
175.0	154.0	8.1	PT0401750	151.77 x 7.00	450.0	425.5	8.1	PT0804500	417.96 x 7.00
180.0	164.5	6.3	PT0301800	164.47 x 5.33	460.0	435.5	8.1	PT0804600	430.66 x 7.00
180.0	159.0	8.1	PT0401800	158.12 x 7.00	480.0	455.5	8.1	PT0804800	456.06 x 7.00
190.0	169.0	8.1	PT0401900	164.47 x 7.00	<b>500.0</b>	<b>475.5</b>	<b>8.1</b>	<b>PT0805000</b>	<b>468.76 x 7.00</b>
194.0	178.5	6.3	PT0301940	177.17 x 5.33	555.0	530.5	8.1	PT0805550	532.26 x 7.00
<b>200.0</b>	<b>184.5</b>	<b>6.3</b>	<b>PT0302000</b>	<b>183.52 x 5.33</b>	600.0	575.5	8.1	PT0806000	557.66 x 7.00
<b>200.0</b>	<b>179.0</b>	<b>8.1</b>	<b>PT0402000</b>	<b>177.17 x 7.00</b>	640.0	615.5	8.1	PT0806400	608.08 x 7.00
205.0	184.0	8.1	PT0402050	183.52 x 7.00	660.0	635.5	8.1	PT0806600	633.48 x 7.00
210.0	189.0	8.1	PT0402100	183.52 x 7.00	700.0	672.0	9.5	PT0507000	670.00 x 8.40
215.0	194.0	8.1	PT0402150	189.87 x 7.00	710.0	682.0	9.5	PT0507100	680.00 x 8.40
220.0	199.0	8.1	PT0402200	196.22 x 7.00	740.0	712.0	9.5	PT0507400	710.00 x 8.40
230.0	214.5	6.3	PT0302300	208.92 x 5.33	780.0	752.0	9.5	PT0507800	750.00 x 8.40
230.0	209.0	8.1	PT0402300	202.57 x 7.00	800.0	772.0	9.5	PT0508000	770.00 x 8.40
240.0	219.0	8.1	PT0402400	215.27 x 7.00	900.0	872.0	9.5	PT0509000	870.00 x 8.40
<b>250.0</b>	<b>234.5</b>	<b>6.3</b>	<b>PT0302500</b>	<b>234.32 x 5.33</b>	1,000.0	972.0	9.5	PT05X1000	970.00 x 8.40
<b>250.0</b>	<b>229.0</b>	<b>8.1</b>	<b>PT0402500</b>	<b>227.97 x 7.00</b>	1,000.0	962.0	13.8	PT06X1000	960.00 x 12.00
<b>250.0</b>	<b>225.5</b>	<b>8.1</b>	<b>PT0802500</b>	<b>215.27 x 7.00</b>	1,050.0	1,022.0	9.5	PT05X1050	1,020.00 x 8.40
254.0	233.0	8.1	PT0402540	227.97 x 7.00	1,065.0	1,027.0	13.8	PT06X1065	1,025.00 x 12.00
260.0	239.0	8.1	PT0402600	240.67 x 7.00	1,070.0	1,032.0	13.8	PT06X1070	1,030.00 x 12.00



Bore Dia.	Groove Dia.	Groove Width	TSS Part No.	O-Ring Dimensions
$D_N$ H9	$d_1$ h9	$L_1$ +0.2		
1,200.0	1,172.0	9.5	PT05X1200	1,170.00 x 8.40
1,200.0	1,162.0	13.8	PT06X1200	1,160.00 x 12.00
1,225.0	1,187.0	13.8	PT06X1225	1,185.00 x 12.00
1,500.0	1,462.0	13.8	PT06X1500	1,460.00 x 12.00
2,000.0	1,962.0	13.8	PT06X2000	1,960.00 x 12.00
2,700.0	2,662.0	13.8	PT06X2700	2,660.00 x 12.00

All dimensions in **bold** type are suitable for installation in grooves to ISO 7425-1, bore diameter in accordance with ISO 3320.

Other dimensions and all intermediate sizes up to 2,700 mm diameter including inch sizes can be supplied.

All O-Rings with 12 mm cross section are delivered as special profile ring.

# Turcon® Glyd Ring® Hz



---

Double-acting

---

Rubber-energized plastic-faced seal

**Material:**

Turcon®, Zurcon® and Elastomer

---



---

! This page is intentionally left blank.



## Turcon® Glyd Ring® Hz



### Description

Glyd Ring® Hz is a symmetric single and double acting piston seal particular for applications with short-stroke high-frequency linear movements. It is designed to fit into ISO 7425-1 housing grooves.

Glyd Ring® Hz is wider than Turcon® Glyd Ring® giving a tighter fit in the housing groove and limiting its axial movement. It also prevents the seal from being damaged under short-stroke high-frequency movement. Furthermore it eliminates the risk of wear between O-Ring and seal.

Glyd Ring® Hz has notches on both sides to ensure system pressure instantly can activate the O-Ring under the seal despite the tighter fit and the fast alternation of pressure direction.

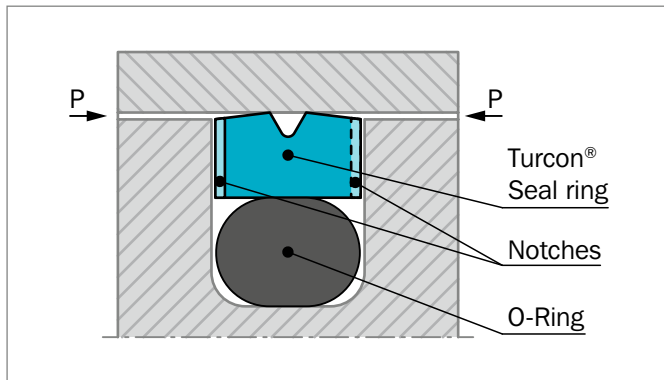


Figure 111: Turcon® Glyd Ring® Hz – short-stroke

The angled contact faces ensure that oil film is not scraped away from the surface but is transported into the groove in the middle of the contact area forming an oil reservoir for lubrication. Wear particles are also likely to be captured in this groove, thus preventing them from embedding in the surface where the highest contact force occurs.

### DEFINITION

Short-stroke high-frequency movements are conditions, which in combination can cause problems, in hydraulic systems:

**Short-Stroke:**  $\leq 3 \times G$  (Groove width)

Very short reciprocating movements can cause reduced service life due to insufficient lubrication film, giving an increasing temperature on a limited area. These factors increase wear on seal and hardware and wear particles will not be removed from the seal face.

**High-Frequency:** Reciprocating movement above 5 Hz.

With an increasing frequency the formation of lubrication under the contact face is reduced. High-frequency is most often occurring in connection with short-strokes. These two types of movements together accelerate the wear on hardware and seal.

### ADVANTAGES

- Seal face gets lubricated in short-stroke high-frequency linear movements
- Low friction
- No stick-slip effect
- Single and double acting
- High wear resistance
- Installation grooves acc. to ISO 7425-1
- No adhesive effect to the mating surface during long period of inactivity or storage
- Available for all cylinder diameters up to 999.9 mm. (For diameter  $\geq 1,000$  mm TSS special article number is required)

### APPLICATION EXAMPLES

Glyd Ring® Hz has been successfully implemented in a large variety of applications as double acting piston seal for hydraulic components such as:

- Injection molding machines
- Machine tools
- Press brakes
- Handling machinery
- Servo equipment
- Pressure intensifiers
- Shock absorbers
- Wind power pitch cylinders



## OPERATING CONDITIONS

<b>Pressure:</b>	Up to 30 MPa with mineral oil (depending on seal material)
<b>Speed:</b>	Up to 15 m/s with linear movements
<b>Temperature:</b>	-45 °C to +200 °C* depending on Seal and O-Ring material
<b>Media:</b>	Mineral oil and other fluids with very high lubricity depending on temperature, seal and O-Ring material compatibility
<b>Clearance:</b>	The maximum permissible radial clearance $S_{max}$ is shown in Table 92 as a function of the operating pressure and functional diameter.

## IMPORTANT NOTE

The above data are maximum values and cannot be used at the same time, e.g. the maximum operating speed depends on material type, pressure, temperature and gap value. Temperature range also depends on media

\* In the case of unpressurized applications in temperatures below 0 °C please contact your local Customer Solution Center for more information!

## HARDWARE

Short-stroke high-frequency can cause heavy wear on hardware due to poor lubrication under the seal and the fact that wear products cannot be removed from the contact area. The hardest possible hardware material should be recommended, especially when system pressure is above 10 MPa.

## INSTALLATION INSTRUCTIONS

Glyd Ring® Hz is installed according to information on page 247 to 249.

Closed groove installation applies the same limits for cylinder diameter  $D_N$  as for Turcon® Glyd Ring® in Table 80 page 249.

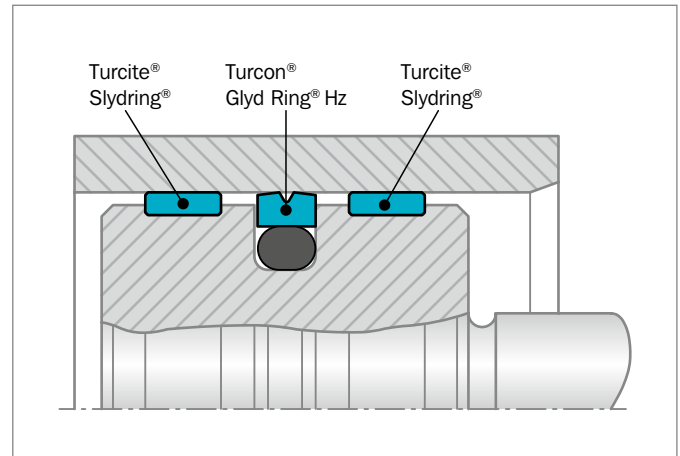


Figure 112: Turcon® Glyd Ring® Hz installed with Turcite® Slydring®

Tandem seal installation of Glyd Ring® Hz cannot be recommended as the short-strokes create a risk of pressure build-up between the seals.

## RECOMMENDED MATERIALS

The following material combinations have proven effective for short-stroke and/or high-frequency applications:

### Turcon® Glyd Ring® Hz in Turcon® M12

All round material for hydraulic applications with linear, short-stroke and/or high-frequency movements in mineral oils and fluids having high lubricating properties:

O-Ring:           NBR 70 Shore A    N  
                       FKM 70 Shore A    V  
                       depending on medium and temperature

Set code:        M12N or M12V

### Turcon® Glyd Ring® Hz in Turcon® T49

For medium to heavy applications with linear, short-stroke and/or high-frequency movements in mineral oils:

O-Ring:           NBR 70 Shore A    N  
                       FKM 70 Shore A    V  
                       depending on medium and temperature

Set code:        T49N or T49V

**Turcon® Glyd Ring® Hz in Turcon® T40**

For light to medium applications with linear, short-stroke and/or high-frequency movements in fluids with lower lubricating properties:

O-Ring:       NBR 70 Shore A     N  
                 FKM 70 Shore A     V  
                 EPDM, 70 Shore A    E  
                 depending on medium and temperature

Set code:     T40N, T40V or T40E

**Zurcon® Glyd Ring® Hz in Zurcon® Z80**

For light applications with linear, short-stroke and/or high-frequency movements in water based fluids, air and gases at reduced pressure and frequencies due to the temperature limitation of the material:

O-Ring:       NBR 70 Shore A     N  
                 EPDM, 70 Shore A    E  
                 depending on medium and temperature

Set code:     Z80N or Z80E





**Table 91: Turcon® and Zurcon® Materials for Glyd Ring® Hz**

Material, Applications, Properties	Code	O-Ring Material Shore A	Code	O-Ring Operating Temp.* °C	Mating Surface Material	MPa max. Dynamic
<b>Turcon® M12</b> First material choice for seals in linear motion with high-frequency and short-strokes For new constructions and updating For commonly applied hydraulic fluids Lowest friction and best sliding properties Lowest wear on seals Improved absorption of abrasive contaminants Low wear or abrasion of counter surface BAM tested Mineral fiber and Additives filled Color: Dark gray	M12	NBR 70	N	-30 to +100	Steel (tubes)	30
		NBR 70 Low temp.	T	-45 to +80	Steel hardened Cast iron	
		FKM 70	V	-10 to +200	Stainless steel Titanium	
<b>Turcon® T40</b> For lubricating fluids and fluids with lower lubrication performance Water hydraulics at reduced pressure and frequency Surface texture is only suitable for gas sealing when lubricated with fluid Carbon fiber filled Color: Gray	T40	NBR 70	N	-30 to +100	Steel	25
		NBR 70 Low temp.	T	-45 to +80	Steel hardened Cast iron	
		FKM 70	V	-10 to +200	Stainless steel Aluminum	
		EPDM 70	E**	-45 to +145		
<b>Turcon® T49</b> For lubricated hydraulics in linear motion High compressive strength High extrusion resistance Very good sliding and wear properties Surface treated for very quick run-in BAM tested Bronze filled Color: Light to dark brown, which may have variations in shading	T49	NBR 70	N	-30 to +100	Steel (tubes)	30
		NBR 70 Low temp.	T	-45 to +80	Steel hardened Cast iron	
		FKM 70	V	-10 to +200		

Table continues on next page



Material, Applications, Properties	Code	O-Ring Material Shore A	Code	O-Ring Operating Temp.* °C	Mating Surface Material	MPa max. Dynamic
<b>Zurcon® Z80</b> For low frequencies due to the temperature limitation of the material For lubricating fluids and fluids with lower lubrication performance Water based fluids, air and gases at reduced pressure Dry air pneumatics High abrasion and extrusion resistance For service in abrasive conditions and media with particles Good chemical resistance Limited temperature capability (-60 to +80 °C) UHMWPE (Ultra High Molecular Weight Polyethylene) Color: White to off-white	Z80	NBR 70	N	-30 to (+100)	Steel	25
		NBR 70 Low temp.	T	-45 to +80	Steel hardened Stainless steel Aluminum	
		EPDM 70	E**	-45 to (+145)	Ceramic coating	

\* The O-Ring Operation Temperature is only valid in mineral hydraulic oil (except EPDM).

\*\* Material not suitable for mineral oils.

BAM: Tested by "Bundesanstalt Materialprüfung, Germany".

Highlighted materials are recommended.



## ■ Installation Recommendation

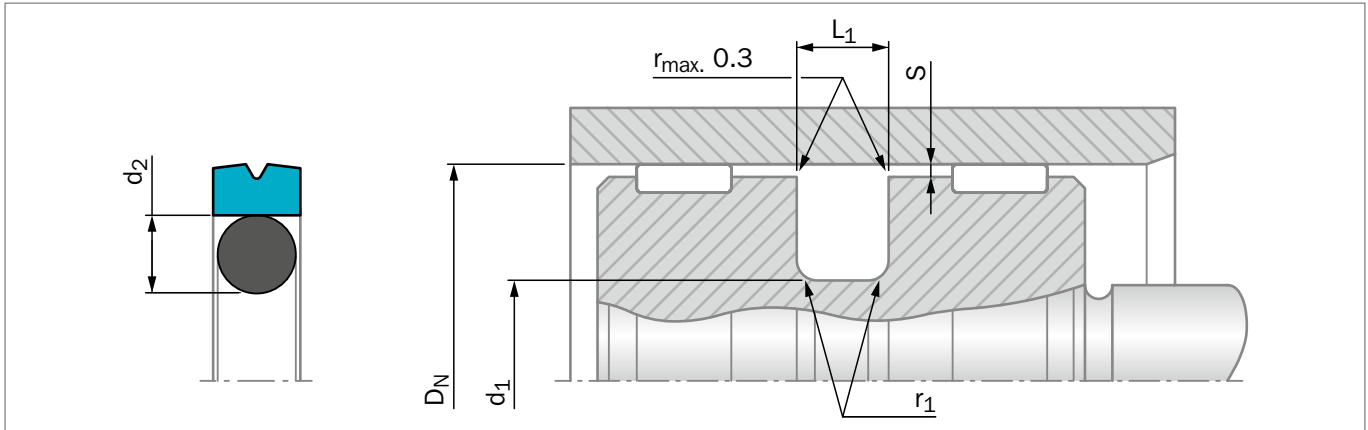


Figure 113: Installation Drawing

**Table 92: Installation Dimensions – Standard Recommendations**

Series No.	Bore Diameter $D_N$ H9		Groove Diameter $d_1$ h9	Groove Width $L_1 + 0.2$	Radius $r_1$ max	Radial Clearance $S_{max}^*$			O-Ring Cross Section $d_2$
	Standard Application	Available Range				10 MPa	20 MPa	30 MPa	
PGS0	8 - 14.9	8 - 140.0	$D_N - 5.0^{**}$	2.2	0.4	0.25	0.20	0.15	1.78
PGS1	15 - 39.9	14 - 260.0	$D_N - 7.5$	3.2	0.6	0.40	0.35	0.20	2.62
PGS2	40 - 79.9	22 - 480.0	$D_N - 11.0$	4.2	1.0	0.45	0.40	0.20	3.53
PGS3	80 - 132.9	40 - 750.0	$D_N - 15.5$	6.3	1.3	0.55	0.45	0.25	5.33
PGS4	133 - 329.9	110 - 750.0	$D_N - 21.0$	8.1	1.8	0.60	0.50	0.30	7.00
PGS8***	330 - 669.9	133 - 999.9	$D_N - 24.5$	8.1	1.8	0.60	0.50	0.30	7.00
PGS5***	670 - 999.9	320 - 999.9	$D_N - 28.0$	9.5	2.5	0.65	0.55	0.35	8.40

\* At pressures > 30 MPa use diameter tolerance H8/f8 (bore/piston) in the area of the seal or consult your local Customer Solution Center for alternative material or profiles.

Slydring® / Wear Rings are not applicable at very small radial clearances please consult the Slydring® section in this catalog.

\*\* Can also be used in Turcon® Glyd Ring® T groove  $D_N - 4.9$  mm.

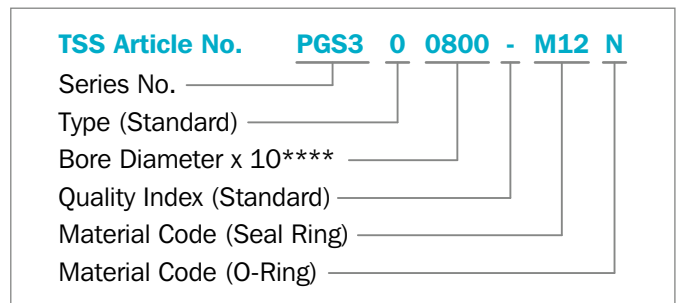
\*\*\* Grooves are not according to ISO 7425-1

### ORDERING EXAMPLE

Glyd Ring® Hz complete with O-Ring, standard application:

<b>Series:</b>	PGS30 from Table 92
<b>Bore Diameter:</b>	$D_N = 80.0$ mm
<b>TSS Part No.:</b>	PGS300800 from Table 93

Select the material from Table 91. The corresponding code numbers are appended to the TSS Part No. Together they form the TSS Article Number. The TSS Article No. for all intermediate sizes can be determined by following the example:



\*\*\*\* For diameters  $D_N \geq 1,000$  mm only on TSS Special Article Number.

Note:  
Installation Dimensions for piston sealing the groove dimensions are identical to Glyd Ring® T and Glyd Ring® PG44.



Table 93: Installation Dimensions / TSS Part No.

Bore	Groove Dia.	Groove Width	Part No.	O-Ring Sizes	Bore	Groove Dia.	Groove Width	Part No.	O-Ring Sizes
D <sub>N</sub> H9	d <sub>1</sub> h9	L <sub>1</sub> +0.2			D <sub>N</sub> H9	d <sub>1</sub> h9	L <sub>1</sub> +0.2		
8.0	3.0	2.2	PGS000080	2.57 x 1.78	53.0	42.0	4.2	PGS200530	40.87 x 3.53
10.0	5.0	2.2	PGS000100	4.47 x 1.78	55.0	44.0	4.2	PGS200550	44.04 x 3.53
12.0	7.0	2.2	PGS000120	6.70 x 1.80	57.0	46.0	4.2	PGS200570	44.04 x 3.53
14.0	9.0	2.2	PGS000140	8.75 x 1.80	58.0	47.0	4.2	PGS200580	47.22 x 3.53
15.0	7.5	3.2	PGS100150	6.93 x 2.62	60.0	49.0	4.2	PGS200600	47.22 x 3.53
16.0	11.0	2.2	PGS000160	10.60 x 1.80	62.0	51.0	4.2	PGS200620	50.39 x 3.53
18.0	13.0	2.2	PGS000180	12.42 x 1.78	63.0	52.0	4.2	PGS200630	50.39 x 3.53
18.0	10.5	3.2	PGS100180	9.19 x 2.62	63.0	47.5	6.3	PGS300630	46.99 x 5.33
19.0	11.5	3.2	PGS100190	10.77 x 2.62	65.0	54.0	4.2	PGS200650	53.57 x 3.53
20.0	15.0	2.2	PGS000200	14.00 x 1.78	68.0	57.0	4.2	PGS200680	56.74 x 3.53
20.0	12.5	3.2	PGS100200	12.37 x 2.62	70.0	59.0	4.2	PGS200700	56.74 x 3.53
21.0	13.5	3.2	PGS100210	12.37 x 2.62	70.0	54.5	6.3	PGS300700	53.34 x 5.33
22.0	17.0	2.2	PGS000220	15.60 x 1.78	75.0	64.0	4.2	PGS200750	63.09 x 3.53
22.0	14.5	3.2	PGS100220	13.94 x 2.62	75.0	59.5	6.3	PGS300750	56.52 x 5.33
24.0	16.5	3.2	PGS100240	15.54 x 2.62	80.0	69.0	4.2	PGS200800	66.27 x 3.53
25.0	20.0	2.2	PGS000250	19.00 x 1.80	80.0	64.5	6.3	PGS300800	62.87 x 5.33
25.0	17.5	3.2	PGS100250	17.12 x 2.62	82.5	67.0	6.3	PGS300825	66.04 x 5.33
25.0	14.0	4.2	PGS200250	12.29 x 3.53	85.0	69.5	6.3	PGS300850	66.04 x 5.33
25.4	20.4	2.2	PGS000254	20.35 x 1.78	90.0	79.0	4.2	PGS200900	78.97 x 3.53
28.0	20.5	3.2	PGS100280	20.29 x 2.62	90.0	74.5	6.3	PGS300900	72.39 x 5.33
30.0	22.5	3.2	PGS100300	21.89 x 2.62	95.0	84.0	4.2	PGS200950	82.14 x 3.53
32.0	27.0	2.2	PGS000320	26.70 x 1.78	95.0	79.5	6.3	PGS300950	78.74 x 5.33
32.0	24.5	3.2	PGS100320	23.47 x 2.62	100.0	89.0	4.2	PGS201000	88.49 x 3.53
32.0	21.0	4.2	PGS200320	20.22 x 3.53	100.0	84.5	6.3	PGS301000	81.92 x 5.33
35.0	27.5	3.2	PGS100350	26.64 x 2.62	101.6	86.1	6.3	PGS301016	85.09 x 5.33
35.0	24.0	4.2	PGS200350	23.40 x 3.53	105.0	94.0	4.2	PGS201050	91.67 x 3.53
36.0	28.5	3.2	PGS100360	28.24 x 2.62	105.0	89.5	6.3	PGS301050	88.27 x 5.33
38.0	30.5	3.2	PGS100380	29.82 x 2.62	108.0	92.5	6.3	PGS301080	91.44 x 5.33
40.0	32.5	3.2	PGS100400	31.42 x 2.62	110.0	99.0	4.2	PGS201100	98.02 x 3.53
40.0	29.0	4.2	PGS200400	28.17 x 3.53	110.0	94.5	6.3	PGS301100	91.44 x 5.33
42.0	31.0	4.2	PGS200420	29.75 x 3.53	110.0	89.0	8.1	PGS401100	87.60 x 7.00
44.4	36.9	3.2	PGS100444	36.17 x 2.62	115.0	99.5	6.3	PGS301150	97.79 x 5.33
45.0	34.0	4.2	PGS200450	32.92 x 3.53	120.0	109.0	4.2	PGS201200	107.54 x 3.53
48.0	37.0	4.2	PGS200480	36.09 x 3.53	120.0	104.5	6.3	PGS301200	100.97 x 5.33
50.0	42.5	3.2	PGS100500	40.94 x 2.62	120.0	99.0	8.1	PGS401200	97.60 x 7.00
50.0	39.0	4.2	PGS200500	37.69 x 3.53	125.0	114.0	4.2	PGS201250	110.72 x 3.53
50.0	34.5	6.3	PGS300500	32.69 x 5.33	125.0	109.5	6.3	PGS301250	107.32 x 5.33
50.8	43.3	3.2	PGS100508	42.52 x 2.62	125.0	104.0	8.1	PGS401250	102.60 x 7.00
50.8	39.8	4.2	PGS200508	37.69 x 3.53	127.0	111.5	6.3	PGS301270	110.49 x 5.33
52.0	41.0	4.2	PGS200520	40.87 x 3.53	130.0	114.5	6.3	PGS301300	113.67 x 5.33



Bore	Groove Dia.	Groove Width	Part No.	O-Ring Sizes
D <sub>N</sub> H9	d <sub>1</sub> h9	L <sub>1</sub> +0.2		
130.0	109.0	8.1	PGS401300	107.60 x 7.00
132.0	121.0	4.2	PGS201320	120.24 x 3.53
135.0	114.0	8.1	PGS401350	113.67 x 7.00
140.0	124.5	6.3	PGS301400	123.19 x 5.33
140.0	119.0	8.1	PGS401400	116.84 x 7.00
145.0	129.5	6.3	PGS301450	126.37 x 5.33
145.0	124.0	8.1	PGS401450	123.19 x 7.00
150.0	134.5	6.3	PGS301500	132.72 x 5.33
150.0	129.0	8.1	PGS401500	126.37 x 7.00
155.0	134.0	8.1	PGS401550	132.72 x 7.00
<b>160.0</b>	<b>144.5</b>	<b>6.3</b>	<b>PGS301600</b>	<b>142.24 x 5.33</b>
<b>160.0</b>	<b>139.0</b>	<b>8.1</b>	<b>PGS401600</b>	<b>135.89 x 7.00</b>
165.0	144.0	8.1	PGS401650	142.24 x 7.00
170.0	149.0	8.1	PGS401700	145.42 x 7.00
175.0	154.0	8.1	PGS401750	151.77 x 7.00
180.0	164.5	6.3	PGS301800	164.47 x 5.33
180.0	159.0	8.1	PGS401800	158.12 x 7.00
190.0	169.0	8.1	PGS401900	164.47 x 7.00
194.0	178.5	6.3	PGS301940	177.17 x 5.33
<b>200.0</b>	<b>184.5</b>	<b>6.3</b>	<b>PGS302000</b>	<b>183.52 x 5.33</b>
<b>200.0</b>	<b>179.0</b>	<b>8.1</b>	<b>PGS402000</b>	<b>177.17 x 7.00</b>
205.0	184.0	8.1	PGS402050	183.52 x 7.00
210.0	189.0	8.1	PGS402100	183.52 x 7.00
215.0	194.0	8.1	PGS402150	189.87 x 7.00
220.0	199.0	8.1	PGS402200	196.22 x 7.00
230.0	214.5	6.3	PGS302300	208.92 x 5.33
230.0	209.0	8.1	PGS402300	202.57 x 7.00
240.0	219.0	8.1	PGS402400	215.27 x 7.00
<b>250.0</b>	<b>234.5</b>	<b>6.3</b>	<b>PGS302500</b>	<b>234.32 x 5.33</b>
<b>250.0</b>	<b>229.0</b>	<b>8.1</b>	<b>PGS402500</b>	<b>227.97 x 7.00</b>
<b>250.0</b>	<b>225.5</b>	<b>8.1</b>	<b>PGS802500</b>	<b>215.27 x 7.00</b>
254.0	233.0	8.1	PGS402540	227.97 x 7.00
260.0	239.0	8.1	PGS402600	240.67 x 7.00
265.0	244.0	8.1	PGS402650	240.67 x 7.00
268.0	247.0	8.1	PGS402680	240.67 x 7.00
270.0	249.0	8.1	PGS402700	240.67 x 7.00

Bore	Groove Dia.	Groove Width	Part No.	O-Ring Sizes
D <sub>N</sub> H9	d <sub>1</sub> h9	L <sub>1</sub> +0.2		
280.0	259.0	8.1	PGS402800	253.37 x 7.00
290.0	269.0	8.1	PGS402900	266.07 x 7.00
300.0	279.0	8.1	PGS403000	278.77 x 7.00
300.0	275.5	8.1	PGS803000	266.07 x 7.00
304.8	283.8	8.1	PGS403048	278.77 x 7.00
310.0	289.0	8.1	PGS403100	278.77 x 7.00
<b>320.0</b>	<b>299.0</b>	<b>8.1</b>	<b>PGS403200</b>	<b>291.47 x 7.00</b>
<b>320.0</b>	<b>295.5</b>	<b>8.1</b>	<b>PGS803200</b>	<b>291.47 x 7.00</b>
330.0	305.5	8.1	PGS803300	304.17 x 7.00
340.0	315.5	8.1	PGS803400	316.87 x 7.00
350.0	325.5	8.1	PGS803500	316.87 x 7.00
360.0	335.5	8.1	PGS803600	329.57 x 7.00
370.0	345.5	8.1	PGS803700	342.27 x 7.00
380.0	355.5	8.1	PGS803800	354.97 x 7.00
<b>400.0</b>	<b>375.5</b>	<b>8.1</b>	<b>PGS804000</b>	<b>367.67 x 7.00</b>
420.0	395.5	8.1	PGS804200	393.07 x 7.00
430.0	405.5	8.1	PGS804300	405.26 x 7.00
440.0	415.5	8.1	PGS804400	405.26 x 7.00
450.0	425.5	8.1	PGS804500	417.96 x 7.00
460.0	435.5	8.1	PGS804600	430.66 x 7.00
480.0	455.5	8.1	PGS804800	456.06 x 7.00
<b>500.0</b>	<b>475.5</b>	<b>8.1</b>	<b>PGS805000</b>	<b>468.76 x 7.00</b>
555.0	530.5	8.1	PGS805550	532.26 x 7.00
600.0	575.5	8.1	PGS806000	557.66 x 7.00
640.0	615.5	8.1	PGS806400	608.08 x 7.00
660.0	635.5	8.1	PGS806600	633.48 x 7.00
700.0	672.0	9.5	PGS507000	670.30 x 8.40
710.0	682.0	9.5	PGS507100	680.30 x 8.40
740.0	712.0	9.5	PGS507400	710.30 x 8.40
780.0	752.0	9.5	PGS507800	750.30 x 8.40
800.0	772.0	9.5	PGS508000	770.30 x 8.40
900.0	872.0	9.5	PGS509000	870.30 x 8.40

The bore diameters in **bold** type comply with the recommendations of ISO 3320. Part No. for other dimensions and **all** intermediate dimensions up to 999.9 mm diameter including imperial (inch) dimensions can be supplied.

Larger dimensions up to 2,700 mm are available upon request.

# Zurcon® Glyd Ring® D



---

Double-acting

---

Rubber-energized plastic-faced seal

---

High Extrusion Resistance

**Material:**

Zurcon® and Elastomer

---



---

! This page is intentionally left blank.



## ■ Zurcon Glyd Ring® D



### ■ Description

Glyd Ring® D is a double-acting seal consisting of a premium polyurethane Zurcon® Z13 seal ring and an O-Ring as energizing element (Figure 114).

The innovative D-shape design optimizes contact pressure and the two special grooves incorporated keep an oil reservoir for an adequate lubrication that minimizes heat generated by friction forces. The above features give the perfect combination of sealing performance and service life.

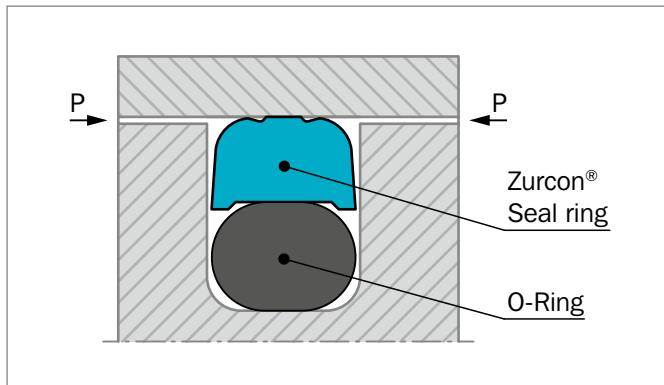


Figure 114: Zurcon® Glyd Ring® D

Zurcon® Z13 polyurethane material is the perfect partner for this innovative design. It is the latest advanced polyurethane development matching the requirements of modern hydraulic medias and cylinder bore surfaces.

Zurcon® Z13 is a 60 ShD polyurethane able to combine excellent mechanical and elastic material properties that makes it suitable to work in high pressure and temperature environment without losing performance.

It has been developed in order to have an excellent hydrolysis resistance making it compatible with a wide range of hydraulic fluids not only mineral base, but also the new environmentally friendly fluids (HEES, HEPG and HEPR) and also with fire resistant fluids both water based and water free (HFA, HFC and HFD) .

### ADVANTAGES

- Extended service life in heavy duty applications
- High static and dynamic sealing effect
- Excellent abrasion and extrusion resistance
- Simple groove design, one piece piston possible, easy installation
- Grooves according to ISO 7425-1

### APPLICATION EXAMPLES

Glyd Ring® D is the recommended element for double acting pistons of hydraulic components such as:

- Construction machinery
- Mobile hydraulic
- Truck cranes
- Fork lift
- Accumulators

It is particularly recommended for medium and heavy duty applications.

### RECOMMENDED MATERIALS

Glyd Ring® D: Zurcon® Z13

O-Ring: NBR, 70 Shore A N  
HNBR, 70 Shore A H

Set code: Z13N or Z13H

### OPERATING CONDITIONS

<b>Pressure:</b>	Up to 40 MPa
<b>Velocity:</b>	Up to 0.5 m/s 0.8 m/s for limited time
<b>Frequency:</b>	Up to 5 Hz
<b>Temperature:</b>	-30° C to +110° C depending on O-Ring Material
<b>Media:</b>	Hydraulic fluids based on mineral oil, environmentally friendly and fire resistance fluids (always check O-Ring material compatibility)
<b>Clearance:</b>	The maximum permissible radial clearance $S_{max}$ is shown in Table 94 as a function of the operating pressure and diameter

### IMPORTANT NOTE

The above started limits for pressure and speed are maximum values individually. Friction heat generated by the combination of pressure and speed may cause local heat built-up. Care should be taken not to apply high values for pressure and speed at the same time.





## ■ Installation Recommendation

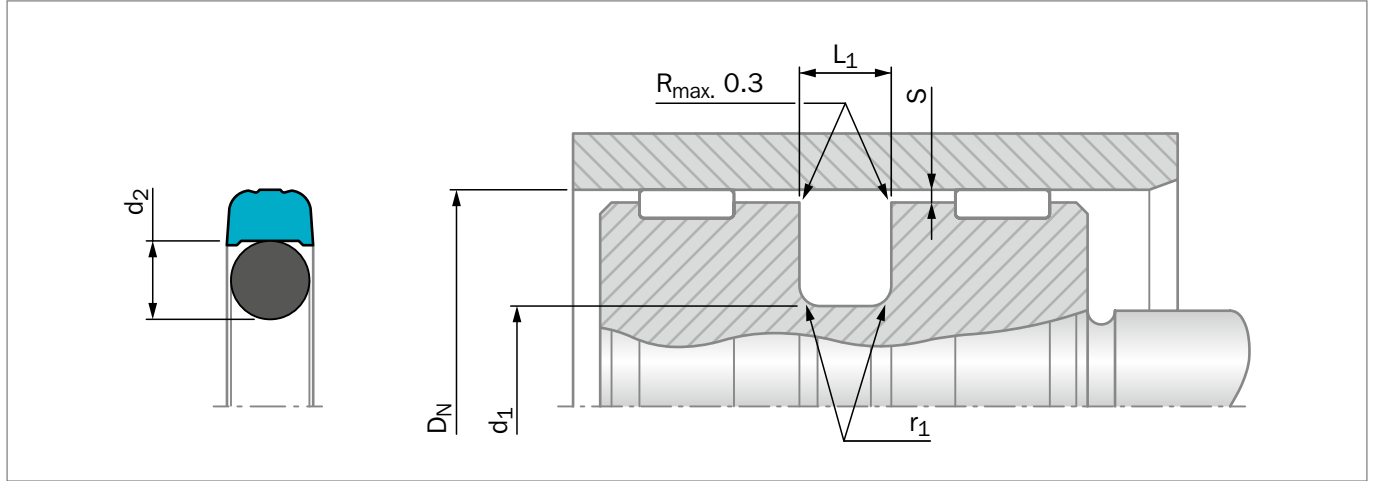


Figure 115: Installation Drawing

**Table 94: Installation Dimensions – Standard Recommendations**

Series No.	Diameter Range	Groove Diameter	Groove Width	Radius	Radial Clearance $S_{max}$ @ 110°C				O-Ring Cross Section
	$D_N$ H9	$d_1$ h9	$L_1$ +0.2	$r_1$	16 MPa	26 MPa	32 MPa	40 MPa	$d_2$
PH41	15 - 39.9	DN - 7.5	3.2	0.6	0.3	0.2	-	-	2.62
PH42	40 - 79.9	DN - 11.0	4.2	1.0	0.4	0.3	0.2	-	3.53
PH43	80 - 132.9	DN - 15.5	6.3	1.3	0.5	0.4	0.3	0.25	5.33
PH44	133 - 329.9	DN - 21.0	8.1	1.8	0.6	0.5	0.4	0.35	7.00

### ORDERING EXAMPLE

Glyd Ring D for ISO groove

**Series:** PH42 from Table 94

**Bore Diameter:**  $D_N = 63.0$  mm

**TSS Part No.:** PH4200630 from Table 95

Material Z13

Material code Z13

O-Ring material code N

Set code: Z13N

**TSS Article No.** PH42 0 0630 - Z13 N

TSS Series No. \_\_\_\_\_

Type (Standard) \_\_\_\_\_

Bore Diameter x 10 \_\_\_\_\_

Quality Index (Standard) \_\_\_\_\_

Material Code (Seal Ring) \_\_\_\_\_

Material Code (O-Ring) \_\_\_\_\_

**Table 95: Installation Dimensions / TSS Part No.**

Bore Diameter	Groove Diameter	Groove Width	TSS Part No.	O-Ring Dimensions
$D_N$ H9	$d_1$ h9	$L_1$ +0.2		
25.00	17.50	3.20	PH4100250-Z13	17.12 x 2.62
30.00	22.50	3.20	PH4100300-Z13	21.89 x 2.62
<b>32.00</b>	<b>21.00</b>	<b>4.20</b>	<b>PH4200320-Z13</b>	<b>20.22 x 3.53</b>
<b>40.00</b>	<b>29.00</b>	<b>4.20</b>	<b>PH4200400-Z13</b>	<b>28.17 x 3.53</b>
45.00	34.00	4.20	PH4200450-Z13	32.92 x 3.53
<b>50.00</b>	<b>39.00</b>	<b>4.20</b>	<b>PH4200500-Z13</b>	<b>37.70 x 3.53</b>
55.00	44.00	4.20	PH4200550-Z13	44.04 x 3.53
60.00	49.00	4.20	PH4200600-Z13	47.22 x 3.53
<b>63.00</b>	<b>52.00</b>	<b>4.20</b>	<b>PH4200630-Z13</b>	<b>50.39 x 3.53</b>
65.00	54.00	4.20	PH4200650-Z13	53.57 x 3.53
70.00	59.00	4.20	PH4200700-Z13	56.74 x 3.53
75.00	64.00	4.20	PH4200750-Z13	63.09 x 3.53
<b>80.00</b>	<b>64.50</b>	<b>6.30</b>	<b>PH4300800-Z13</b>	<b>62.87 x 5.33</b>
85.00	69.50	6.30	PH4300850-Z13	69.22 x 5.33
90.00	74.50	6.30	PH4300900-Z13	72.39 x 5.33
<b>100.00</b>	<b>84.50</b>	<b>6.30</b>	<b>PH4301000-Z13</b>	<b>81.92 x 5.33</b>
105.00	89.50	6.30	PH4301050-Z13	88.27 x 5.33
110.00	94.50	6.30	PH4301100-Z13	91.44 x 5.33
115.00	94.00	8.10	PH4401150-Z13	94.00 x 7.0
120.00	104.50	6.30	PH4301200-Z13	100.97 x 5.33
<b>125.00</b>	<b>104.00</b>	<b>8.10</b>	<b>PH4401250-Z13</b>	<b>103.00 x 7.0</b>
130.00	109.00	8.10	PH4401300-Z13	108.00 x 7.0
140.00	119.00	8.10	PH4401400-Z13	116.84 x 7.0
<b>160.00</b>	<b>139.00</b>	<b>8.10</b>	<b>PH4401600-Z13</b>	<b>135.89 x 7.0</b>
<b>200.00</b>	<b>179.00</b>	<b>8.10</b>	<b>PH4402000-Z13</b>	<b>177.17 x 7.0</b>
<b>250.00</b>	<b>229.00</b>	<b>8.10</b>	<b>PH4402500-Z13</b>	<b>227.97 x 7.0</b>

All dimensions in **bold** type are suitable for installation in grooves to ISO 7425-1, bore dia. in accordance with ISO 3320. Additional dimensions can be delivered on request.

---

! This page is intentionally left blank.

# Zurcon® Glyd Ring P®



---

Double-acting

---

Rubber-energized plastic-faced seal

---

Step Cut Sealing Element

---

**Material:**

Zurcon® Polyamid + NBR

---



---

! This page is intentionally left blank.



## ■ Zurcon® Glyd Ring® P



### ■ Description

The double acting Zurcon® Glyd Ring® P is a combination of a Zurcon® based material slipper seal with a step cut and an energising rectangular elastomeric ring. It is produced with an interference fit at closed step cut which together with the squeeze of the rectangular energizer ring ensures a good sealing effect even at low pressure.

At higher system pressures, the rectangular ring is energised by the fluid, pushing the Zurcon® Glyd Ring® P against the sealing face with increased force. At high peak pressures, the Zurcon® step cut seal ring can follow ballooning of the tube without losing the sealability.

Due to the Zurcon® high strength plastic material, two times bigger extrusion gaps are possible compared with Turcon® materials. The step cut in the ring is necessary for installation in closed grooves and for the flexibility of the seal ring due to the high stiffness of the material.

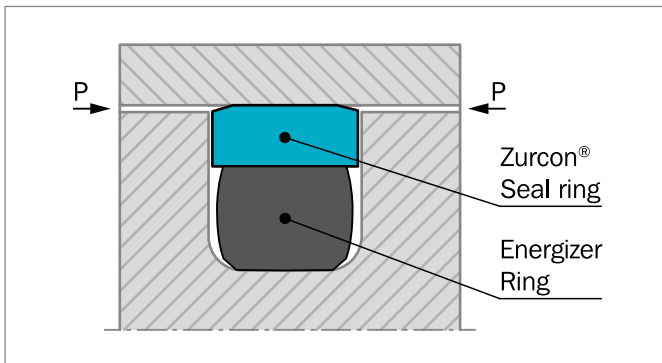


Figure 116: Zurcon® Glyd Ring® P

### STEP CUT

For easy installation on the piston and for the flexibility of the seal ring a precision step cut is produced by special tool technology.

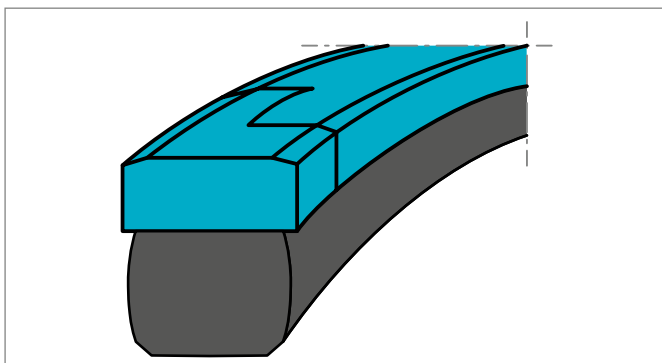


Figure 117: Step cut on Zurcon® Glyd Ring® P

### ADVANTAGES

- Easy installation on piston without special tools
- Due to large extrusion gap, safe use even with soiled media
- Installation grooves acc. to ISO 7425-1
- Simple groove design, one piece piston possible
- Increased clearance compare to Turcon® Glyd Ring® seals (Approximately +50%), depending on operation conditions
- Resistent against shock loads
- High wear resistant material ensures long service life

### APPLICATION EXAMPLES

- Construction machinery, e.g. excavators
- Truck cranes
- Fork lifts

It is particularly recommended for heavy duty applications.

### OPERATING CONDITIONS

Zurcon® Glyd Ring® P is recommended for linear movements where the dimensional gap between piston and tube shall be as big as possible or where high pressure peaks occur during operation.

<b>Pressure:</b>	50 MPa standard 100 MPa pressure peak
<b>Speed:</b>	up to 1 m/s
<b>Temperature:</b>	-30 °C to +110 °C standard Special materials are available on request for applications outside this temperature range.
<b>Media:</b>	mineral oil based hydraulic fluids

### IMPORTANT NOTE

The above data are maximum values and cannot be used at the same time, e.g. the maximum operating speed depends on material type, pressure, temperature and gap value.



## MATERIALS

### **Standard Application:**

For hydraulic components in mineral oils or medias with good lubricating performance.

### **Zurcon® seal ring: Zurcon® Z66**

Energiser: Rectangular ring in NBR 70 shore A, code N

Set reference: Z66 N



## ■ Installation Recommendation

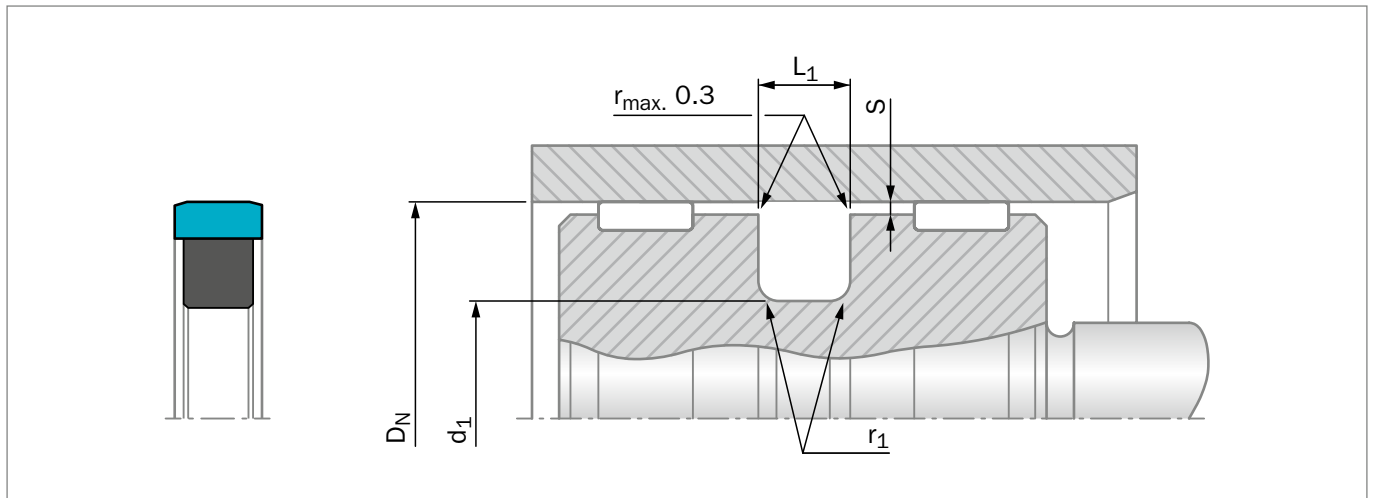


Figure 118: Installation Drawing

**Table 96: Installation Dimensions**

Series No.	Groove Diameter	Groove Width	Radius	Radial Clearance
	$d_1$ h9	$L_1 +0.2$	$r_1$	$S_{max}$
PGP2	$D_N - 11.0$	4.2	0.5	0.35
PGP3	$D_N - 15.5$	6.3	0.9	0.50
PGP4	$D_N - 21.0$	8.1	0.9	0.60

### ORDERING EXAMPLE

Zurcon® Glyd Ring® P for ISO groove

<b>Cylinder Bore Diameter:</b>	$D_N = 125$ mm
<b>Series No.:</b>	PGP4 from Table 96
<b>Part No.:</b>	PGP401250 (from Table 97)
<b>TSS Seal Ring Material Code:</b>	Z66
<b>Energizer Material Code:</b>	N
<b>Set Code:</b>	Z66 N

TSS Article No.	PGP4	0	1250	-	Z66	N
Series No.	PGP4	0	1250	-	Z66	N
Type (Standard)		0				
Cylinder Bore Diameter x 10			1250			
Quality Index (Standard)					Z66	
Material Code (Seal Ring)					Z66	
Material Code (Energizer)						N



**Table 97: Preferred Series / TSS Part No.**

Bore	Groove Diameter	Groove Width	TSS Part No.
$D_N$ H9	$d_1$ h9	$L_1$ +/-0,2	
55.0	39.5	6.3	PGP300550
60.0	49.0	4.2	PGP200600
70.0	59.0	4.2	PGP200700
70.0	54.5	6.3	PGP300700
75.0	59.5	6.3	PGP300750
75.0	54.0	8.1	PGP400750
80.0	59.0	8.1	PGP400800
90.0	74.5	6.3	PGP300900
90.0	69.0	8.1	PGP400900
95.0	74.0	8.1	PGP400950
<b>100.0</b>	<b>84.5</b>	<b>6.3</b>	<b>PGP301000</b>
100.0	79.0	8.1	PGP401000
110.0	94.5	6.3	PGP301100
110.0	89.0	8.1	PGP401100
120.0	99.0	8.1	PGP401200
<b>125.0</b>	<b>109.5</b>	<b>6.3</b>	<b>PGP301250</b>
<b>125.0</b>	<b>104.0</b>	<b>8.1</b>	<b>PGP401250</b>
130.0	109.0	8.1	PGP401300
140.0	119.0	8.1	PGP401400
150.0	129.0	8.1	PGP401500
<b>160.0</b>	<b>139.0</b>	<b>8.1</b>	<b>PGP401600</b>
170.0	149.0	8.1	PGP401700
180.0	159.0	8.1	PGP401800
190.0	169.0	8.1	PGP401900

All dimensions in **bold** are suitable for installation in grooves to ISO 7425-1, bore diameter in accordance with ISO 3320. Further sizes on request.

# Turcon® AQ-Seal® 5



---

Double-acting

---

Rubber-energized plastic-faced seal

---

**Material:**

Turcon®, Zurcon® and Elastomer

---



---

! This page is intentionally left blank.



## ■ Turcon® AQ-Seal® 5\*



### ■ Description

Turcon® AQ-Seal® 5 is a patented development of the proven standard Turcon® AQ-Seal® .

The particular characteristics of AQ-Seal® 5 are the seal profile with a defined seal edge and the use of two O-Rings as energizing elements to optimize the pressure profile and to reduce gas permeability.

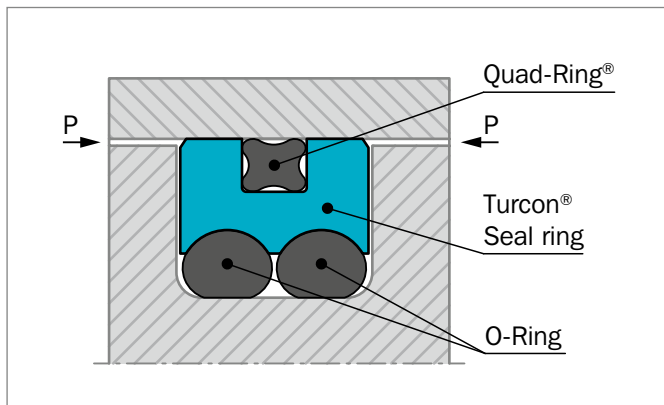


Figure 119: Turcon® AQ-Seal® 5

AQ-Seal® 5 combines the benefits of a low-friction Turcon® slipper seal with the high sealing characteristics of an elastomeric seal by incorporating a limited footprint Quad-Ring® Seal in the dynamic sealing face. This optimizes leakage control while minimizing friction.

### ADVANTAGES

- High sealing effect in applications requiring media separation, e.g. fluid/fluid or fluid/gas
- Double security through the combination of low-friction special materials with elastomer seals
- Low gas permeation rate
- Higher pressure application, higher sliding speed compared to AQ-Seal®
- Outstanding sliding properties, no stick-slip effect
- Diameter from 25 to 700 mm (for sizes above use Turcon® AQ-Seal® 5 with Bean Seal, see page 431)

\* Patent application: WO 90/00693 A1

### APPLICATION EXAMPLES

Turcon® AQ-Seal® 5 is mainly designed for heavy duty and large diameter applications and is recommended as double acting piston seal for hydraulic equipment such as:

- Mobil hydraulics
- Cranes
- Stabilizers
- Heavy duty suspension cylinders
- Hydro-pneumatic suspensions for heavy vehicles
- Machine tools
- Presses
- Rolling mills
- Servo hydraulics
- Offshore equipment
- Cylinders with retaining function over longer periods such as jacks and support cylinders



## OPERATING CONDITIONS

<b>Pressure:</b>	Up to 60 MPa with mineral oil Up to 25 MPa for media with low lubricating properties
<b>Speed:</b>	Up to 3 m/s with linear movements frequency up to 3 Hz
<b>Temperature:</b>	-30 °C to +200 °C* depending on seal, O-Ring and Quad-Ring® material
<b>Media:</b>	Mineral oil-based hydraulic fluids, flame retardant hydraulic fluids, environmentally friendly hydraulic fluids (bio-oils), phosphate ester, water and others, depending on temperature, seal, O-Ring and Quad-Ring® seal material compatibility see Table 98
<b>Clearance:</b>	The maximum permissible radial clearance $S_{max}$ is shown in Table 99, as a function of the operating pressure and functional diameter.

### IMPORTANT NOTE

The above data are maximum values and cannot be used at the same time, e.g. the maximum operating speed depends on material type, pressure, temperature and gap value. Temperature range also depends on media.

\* In the case of unpressurized piston applications in temperatures below 0 °C please contact your local Customer Solution Center for more information!

## INSTALLATION INSTRUCTIONS

AQ-Seal® 5 is installed according to information on page 247 to 249 and 251.

## RECOMMENDED MATERIALS

The following material combinations have proven effective for hydraulic applications:

### Turcon® AQ-Seal® 5 in Turcon® M12

All round material for light to heavy hydraulic applications with linear movements in mineral oils, flame retardant hydraulic fluids, bio-oils and phosphate ester:

O-Ring and Quad-Ring®:	NBR 70 Shore A	N
	FKM 70 Shore A	V

Set code: M12N or M12V

### Turcon® AQ-Seal® 5 in Turcon® T46

For medium to heavy applications with linear movements in mineral oils and other media with good lubrication:

O-Ring and Quad-Ring®:	NBR 70 Shore A	N
	FKM 70 Shore A	V

Set code: T46N or T46V

For specific applications, all Turcon® materials are available.

Other material combinations are listed in Table 98.

**Table 98: Turcon® Materials for AQ-Seal® 5**

Material, Applications, Properties	Code	O-Ring Material Shore A***	Code	O-Ring and Quad-Ring® Operating Temp.* °C	Mating Surface Material	MPa max Dynamic
<b>Turcon® M12</b> First material choice for seals in linear motion Overall improved properties For new constructions and updating For all commonly applied hydraulic fluids including fluids with low lubrication performance Lowest friction and best sliding properties Lowest wear on seals Improved absorption of abrasive contaminants Low wear or abrasion of counter surface BAM tested Mineral fiber and Additives filled Color: Dark gray	M12	NBR 70	N	-30 to +100	Steel	50
		NBR 70 Low temp.	T	-45 to +80	Steel hardened Cast iron	
		FKM 70	V	-10 to +200	Stainless steel Titanium	
<b>Turcon® T08</b> For lubricating fluids and linear motion Very high compressive strength and extrusion resistance Hard counter surfaces is recommended Bronze filled Color: Light to dark brown, which may have variations in shading	T08	NBR 70	N	-30 to +100	Steel hardened	60
		NBR 70 Low temp.	T	-45 to +80	Cast iron	
		FKM 70	V	-10 to +200		
<b>Turcon® T10</b> For hydraulic and pneumatic For linear motion in lubricating and non-lubricating fluids High extrusion resistance Good chemical resistance Not for electrically conducting fluids BAM tested Carbon, graphite filled Color: Black	T10	NBR 70	N	-30 to +100	Steel	40
		NBR 70 Low temp.	T	-45 to +80	Stainless steel	
		FKM 70	V	-10 to +200		
		EPDM 70	E**	-45 to +145		
<b>Turcon® T29</b> For lubricating and non-lubricating fluids Good extrusion resistance Surface texture is not suitable for gas sealing Not for electrically conducting fluids Carbon fiber filled Color: Gray	T29	NBR 70	N	-30 to +100	Steel	30
		NBR 70 Low temp.	T	-45 to +80	Cast iron	
		FKM 70	V	-10 to +200	Stainless steel	
		EPDM 70	E**	-45 to +145		

Table continues on next page



Material, Applications, Properties	Code	O-Ring Material Shore A***	Code	O-Ring and Quad-Ring® Operating Temp.* °C	Mating Surface Material	MPa max Dynamic
<b>Turcon® T40</b> For lubricating and non-lubricating fluids High frequency and short strokes Water hydraulics Surface texture is not suitable for gas sealing Carbon fiber filled Color: Gray	T40	NBR 70	N	-30 to +100	Steel	25
		NBR 70 Low temp.	T	-45 to +80	Cast iron Stainless steel Aluminum	
		FKM 70	V	-10 to +200		
		EPDM 70	E**	-45 to +145		
<b>Turcon® T46</b> For lubricated hydraulics in linear motion High compressive strength High extrusion resistance Very good sliding and wear properties BAM tested Bronze filled Color: Light to dark brown, which may have variations in shading	T46	NBR 70	N	-30 to +100	Steel hardened	50
		NBR 70 Low temp.	T	-45 to +80	Cast iron	
		FKM 70	V	-10 to +200		
<b>Zurcon® Z80</b> For lubricating and non-lubricating fluids Water based fluids, air and gases Dry air pneumatics High abrasion and extrusion resistance For service in abrasive conditions and media with particles Good chemical resistance Limited temperature capability (-60 to +80 °C) UHMWPE (Ultra High Molecular Weight Polyethylene) Color: White to off-white	Z80	NBR 70	N	-30 to (+100)	Steel	35
		NBR 70 Low temp.	T	-45 to +80	Steel hardened Stainless steel Aluminum Ceramic coating	
		EDPM 70	E**	-10 to (+145)		

\* The O-Ring and Quad-Ring® Operation Temperature is only valid in mineral hydraulic oil (except EPDM).

\*\* Material not suitable for mineral oils.

\*\*\* Quad-Ring® material NBR 70 code: N7004

FKM 70 code: V7002

BAM: Tested by "Bundesanstalt Materialprüfung, Germany".

  Highlighted materials are recommended.



## ■ Installation Recommendation

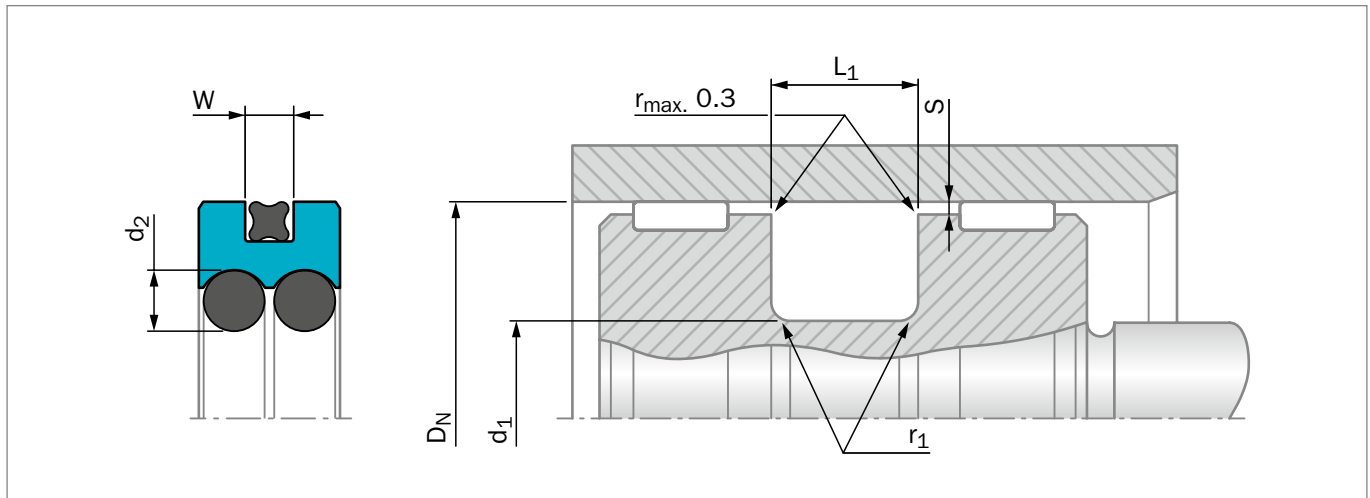


Figure 120: Installation Drawing

**Table 99: Installation Dimensions**

Series No.	Bore Diameter $D_N$ H9		Groove Diameter $d_1$ h9	Groove Width $L_1 +0.2$	Radius $r_1$ max	Radial Clearance $S_{max}^*$			O-Ring Cross Section $d_2$	Quad-Ring® Cross Section $W$
	Standard Application	Available Range				10 MPa	20 MPa	30 MPa		
PQ010	40 - 79.9	25 - 250	$D_N - 10.0$	6.3	0.6	0.30	0.20	0.15	2.62	1.78
PQ020	80 - 132.9	50 - 275	$D_N - 13.0$	8.3	1.0	0.40	0.30	0.15	3.53	2.62
PQ030	133 - 462.9	100 - 480	$D_N - 18.0$	12.3	1.3	0.40	0.30	0.20	5.33	3.53
PQ040	463 - 700.0	425 - 700	$D_N - 31.0$	16.3	1.8	0.50	0.40	0.30	7.00	5.33

\* At pressures > 30 MPa use diameter tolerance H8/f8 (bore/piston) in the area of the seal use Turcon® AQ-Seal® 5 CR or consult your local Customer Solution Center for alternative material or profiles.

Slydring® / Wear Rings are not applicable at very small radial clearances please consult the Slydring® section in this catalog.

### ORDERING EXAMPLE

Turcon® AQ-Seal® 5 complete with Quad-Ring® and O-Rings, standard application:

**Series:** PQ020 from Table 99

**Bore Diameter:**  $D_N = 80.0$  mm

**TSS Part No.:** PQ0200800 from Table 100

Select the material from Table 98. The corresponding code numbers are appended to the TSS Part No. Together they form the TSS Article Number. The TSS Article Number for all intermediate sizes can be determined by following the example:

**TSS Article No.** **PQ02 0 0800 - M12 N**

TSS Series No. ——— PQ02  
 Type (Standard) ——— 0  
 Bore Diameter x 10 ——— 0800  
 Quality Index (Standard) ——— M12  
 Material Code (Seal Ring) ——— N  
 Material Code (O-Ring)/(Quad-Ring® Seal) ———





**Table 100: Installation Dimensions / TSS Part No.**

Bore	Groove Diameter	Groove Width	Part No.	O-Ring Size	Quad-Ring® Size
D <sub>N</sub> H9	d <sub>1</sub> h9	L <sub>1</sub> +0.2			
<b>40.0</b>	<b>30.0</b>	<b>6.3</b>	<b>PQ0100400</b>	<b>29.82 x 2.62</b>	<b>34.65 x 1.78</b>
42.0	32.0	6.3	PQ0100420	31.42 x 2.62	37.82 x 1.78
45.0	35.0	6.3	PQ0100450	34.59 x 2.62	37.82 x 1.78
48.0	38.0	6.3	PQ0100480	37.77 x 2.62	41.00 x 1.78
<b>50.0</b>	<b>40.0</b>	<b>6.3</b>	<b>PQ0100500</b>	<b>39.34 x 2.62</b>	<b>44.17 x 1.78</b>
52.0	42.0	6.3	PQ0100520	40.94 x 2.62	47.35 x 1.78
55.0	45.0	6.3	PQ0100550	44.12 x 2.62	50.52 x 1.78
60.0	50.0	6.3	PQ0100600	48.90 x 2.62	53.70 x 1.78
<b>63.0</b>	<b>53.0</b>	<b>6.3</b>	<b>PQ0100630</b>	<b>52.07 x 2.62</b>	<b>56.87 x 1.78</b>
65.0	55.0	6.3	PQ0100650	53.64 x 2.62	60.05 x 1.78
70.0	60.0	6.3	PQ0100700	58.42 x 2.62	63.22 x 1.78
75.0	65.0	6.3	PQ0100750	63.17 x 2.62	69.57 x 1.78
<b>80.0</b>	<b>67.0</b>	<b>8.3</b>	<b>PQ0200800</b>	<b>66.27 x 3.53</b>	<b>71.12 x 2.62</b>
85.0	72.0	8.3	PQ0200850	69.44 x 3.53	75.87 x 2.62
90.0	77.0	8.3	PQ0200900	75.79 x 3.53	82.22 x 2.62
95.0	82.0	8.3	PQ0200950	78.97 x 3.53	82.22 x 2.62
<b>100.0</b>	<b>87.0</b>	<b>8.3</b>	<b>PQ0201000</b>	<b>85.32 x 3.53</b>	<b>88.57 x 2.62</b>
105.0	92.0	8.3	PQ0201050	91.67 x 3.53	94.92 x 2.62
110.0	97.0	8.3	PQ0201100	94.84 x 3.53	101.27 x 2.62
115.0	102.0	8.3	PQ0201150	101.19 x 3.53	107.62 x 2.62
120.0	107.0	8.3	PQ0201200	104.37 x 3.53	107.62 x 2.62
<b>125.0</b>	<b>112.0</b>	<b>8.3</b>	<b>PQ0201250</b>	<b>110.72 x 3.53</b>	<b>113.97 x 2.62</b>
130.0	117.0	8.3	PQ0201300	113.89 x 3.53	120.32 x 2.62
135.0	117.0	12.3	PQ0301350	113.67 x 5.33	123.42 x 3.53
140.0	122.0	12.3	PQ0301400	120.02 x 5.33	126.59 x 3.53
150.0	132.0	12.3	PQ0301500	129.54 x 5.33	136.12 x 3.53
<b>160.0</b>	<b>142.0</b>	<b>12.3</b>	<b>PQ0301600</b>	<b>139.07 x 5.33</b>	<b>145.64 x 3.53</b>
170.0	152.0	12.3	PQ0301700	148.49 x 5.33	158.34 x 3.53
180.0	162.0	12.3	PQ0301800	158.12 x 5.33	164.69 x 3.53
190.0	172.0	12.3	PQ0301900	170.82 x 5.33	177.39 x 3.53
<b>200.0</b>	<b>182.0</b>	<b>12.3</b>	<b>PQ0302000</b>	<b>177.17 x 5.33</b>	<b>183.74 x 3.53</b>
210.0	192.0	12.3	PQ0302100	189.87 x 5.33	196.44 x 3.53
220.0	202.0	12.3	PQ0302200	196.22 x 5.33	202.79 x 3.53
230.0	212.0	12.3	PQ0302300	208.92 x 5.33	215.49 x 3.53
240.0	222.0	12.3	PQ0302400	221.62 x 5.33	221.84 x 3.53
<b>250.0</b>	<b>232.0</b>	<b>12.3</b>	<b>PQ0302500</b>	<b>227.97 x 5.33</b>	<b>234.54 x 3.53</b>
280.0	262.0	12.3	PQ0302800	253.37 x 5.33	266.29 x 3.53
300.0	282.0	12.3	PQ0303000	278.77 x 5.33	278.99 x 3.53
<b>320.0</b>	<b>302.0</b>	<b>12.3</b>	<b>PQ0303200</b>	<b>291.47 x 5.33</b>	<b>304.39 x 3.53</b>
350.0	332.0	12.3	PQ0303500	329.57 x 5.33	329.79 x 3.53



Bore	Groove Diameter	Groove Width	Part No.	O-Ring Size	Quad-Ring® Size
$D_N$ H9	$d_1$ h9	$L_1$ +0.2			
<b>400.0</b>	<b>382.0</b>	<b>12.3</b>	<b>PQ0304000</b>	<b>380.37 x 5.33</b>	<b>380.59 x 3.53</b>
420.0	402.0	12.3	PQ0304200	405.26 x 5.33	380.59 x 3.53
450.0	432.0	12.3	PQ0304500	430.66 x 5.33	430.66 x 3.53
480.0	449.0	16.3	PQ0404800	443.36 x 7.00	456.06 x 5.33
<b>500.0</b>	<b>469.0</b>	<b>16.3</b>	<b>PQ0405000</b>	<b>468.76 x 7.00</b>	<b>456.06 x 5.33</b>
600.0	569.0	16.3	PQ0406000	557.66 x 7.00	557.58 x 5.33
700.0	669.0	16.3	PQ0407000	658.88 x 7.00	658.88 x 5.33

Bore diameters in **bold** type comply with the recommendations of ISO 3320.

All intermediate sizes up to 700 mm diameter can be supplied. Sizes > 700 mm diameter with special elastomers on request, see Turcon® AQ-Seal® with Bean Seal page 431

---

! This page is intentionally left blank.

# Turcon® AQ-Seal®



---

Double-acting

---

Rubber-energized plastic-faced seal

**Material:**

Turcon®, Zurcon® and Elastomer

---



---

! This page is intentionally left blank.



## ■ Turcon® AQ-Seal®



### ■ Description

Turcon® AQ-Seal® is a double-acting seal consisting of a seal ring of Turcon® material, an Quad-Ring® seal and an O-Ring as energizing element.

The Turcon® seal ring and the Quad-Ring® Seal together create the dynamic sealing function while the O-Ring performs the static sealing function.

AQ-Seal® is supplied as standard with radial notches on both sides which ensure direct pressurizing of the seal under all operating conditions.

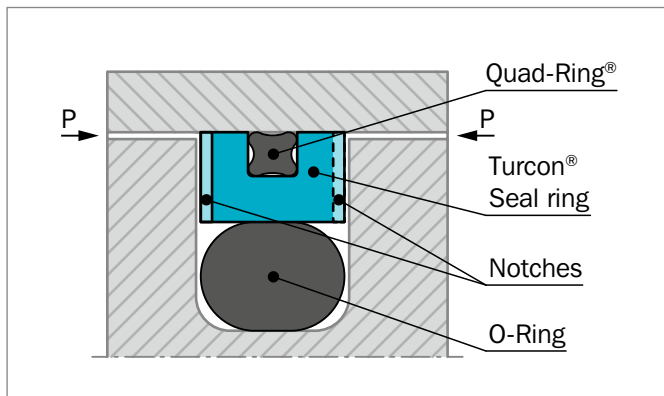


Figure 121: Turcon® AQ-Seal®

AQ-Seal® combines the benefits of a low-friction Turcon® slipper seal with the high sealing characteristics of an elastomeric seal by incorporating a limited foot print Quad-Ring® in the dynamic sealing face. This optimizes leakage control while minimizing friction.

### ADVANTAGES

- High sealing effect in applications requiring media separation, e.g. fluid/fluid or fluid/gas
- Double security through the combination of low-friction special materials with elastomer seals
- Simple groove design, small installation space, interchangeable with Turcon® Glyd Ring® and Turcon® Glyd Ring® T installation according to ISO 7425-1
- Outstanding sliding properties, no stick-slip effect
- Diameter from 15 to 700 mm (for sizes above use Turcon® AQ-Seal® with Bean Seal, see page 431)

### APPLICATION EXAMPLES

AQ-Seal® is the recommended sealing element for double acting pistons of positioning and holding cylinders for:

- Mobile hydraulics
- Machine tools
- Presses
- Semi-static piston accumulators
- Active stabilizers
- Hydro-pneumatic suspensions for heavy vehicles
- Subsea connectors
- Offshore valves
- Wind Power
- Pressure intensifiers
- Jacks
- Lifts
- Hydraulic vices



## OPERATING CONDITIONS

Pressure:	Up to 50 MPa with mineral oil Up to 30 MPa for media with reduced lubricating properties
Speed:	Up to 2 m/s with reciprocating movements
Temperature:	-45 °C to +200 °C* depending on O-Ring and Quad-Ring® seal material
Media:	Mineral oil-based hydraulic fluids, flame retardant hydraulic fluids, environmentally friendly hydraulic fluids (bio-oils), phosphate ester, water and others, depending on temperature, seal, O-Ring and Quad-Ring® seal material compatibility see Table 101
Clearance:	The maximum permissible radial clearance $S_{max}$ is shown in Table 102, as a function of the operating pressure and functional diameter.

### IMPORTANT NOTE

The above data are maximum values and cannot be used at the same time, e.g. the maximum operating speed depends on material type, pressure, temperature and gap value. Temperature range also depends on media.

\* In the case of unpressurized applications in temperatures below 0 °C please contact your local Customer Solution Center for more information!

## INSTALLATION INSTRUCTIONS

AQ-Seal® is installed according to information on page 247 to 249 and 251.

Closed groove installation applies same dimensions as for Turcon® Glyd Ring® in Table 80 page 249.

## RECOMMENDED MATERIALS

The following material combinations have proven effective for hydraulic applications:

### Turcon® AQ-Seal® in Turcon® M12

All round material for light to heavy hydraulic applications with linear, movements in mineral oils, flame retardant hydraulic fluids, phosphate ester, bio-oils or fluids having low lubricating properties:

O-Ring and Quad-Ring®:	NBR 70 Shore A	N
	FKM 70 Shore A	V
Set code:	M12N or M12V	

### Turcon® AQ-Seal® in Turcon® T46

For medium to heavy applications with linear movements in mineral oils and other media with good lubrication:

O-Ring and Quad-Ring®:	NBR 70 Shore A	N
	FKM 70 Shore A	V
Set code:	T46N or T46V	

For specific applications, all Turcon® materials are available.

Other material combinations are listed in Table 101.

**Table 101: Turcon® Material for AQ-Seal®**

Material, Applications, Properties	Code	O-Ring Material Shore A***	Code	O-Ring and Quad-Ring® Operating Temp.* °C	Mating Surface Material	MPa max Dynamic
<b>Turcon® M12</b> First material choice for seals in linear motion Overall improved properties For new constructions and updating For all commonly applied hydraulic fluids Low wear or abrasion of counter surface including fluids with low lubrication performance Lowest friction and best sliding properties Lowest wear on seals Improved absorption of abrasive contaminants BAM tested Mineral fiber and Additives filled Color: Dark gray	M12	NBR 70	N	-30 to +100	Steel	40
		NBR 70 Low temp.	T	-45 to +80	Steel hardened Cast iron Stainless steel	
		FKM 70	V	-10 to +200	Titanium	
<b>Turcon® T08</b> For lubricating fluids and linear motion Very high compressive strength and extrusion resistance Hard counter surfaces is recommended Bronze filled Color: Light to dark brown, which may have variations in shading	T08	NBR 70	N	-30 to +100	Steel hardened	50
		NBR 70 Low temp.	T	-45 to +80	Cast iron	
		FKM 70	V	-10 to +200		
<b>Turcon® T10</b> For hydraulic and pneumatic For linear motion in lubricating and non-lubricating fluids High extrusion resistance Good chemical resistance Not for electrically conducting fluids BAM tested Carbon, graphite filled Color: Black	T10	NBR 70	N	-30 to +100	Steel	30
		NBR 70 Low temp.	T	-45 to +80	Stainless steel	
		FKM 70	V	-10 to +200		
		EPDM 70	E**	-45 to +145		
<b>Turcon® T29</b> For lubricating and non-lubricating fluids Good extrusion resistance Surface texture is not suitable for gas sealing Not for electrically conducting fluids Carbon fiber filled Color: Gray	T29	NBR 70	N	-30 to +100	Steel	30
		NBR 70 Low temp.	T	-45 to +80	Cast iron Stainless steel	
		FKM 70	V	-10 to +200		
		EPDM 70	E**	-45 to +145		

Table continues on next page







## ■ Installation Recommendation

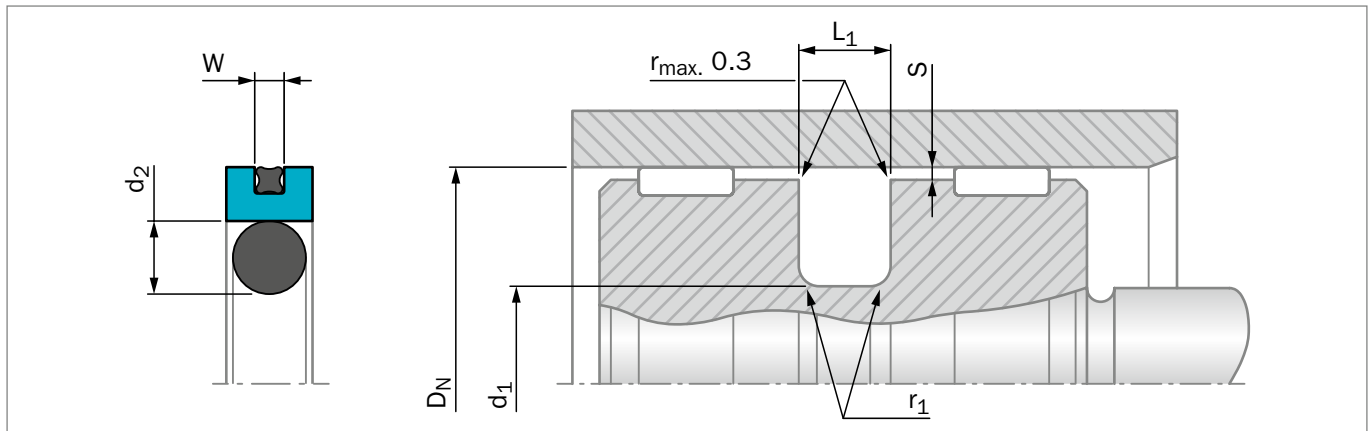


Figure 122: Installation Drawing

**Table 102: Installation Dimensions**

Bore Diameter $D_N$ H9				Groove Diameter	Groove Width	Radius	Radial Clearance $S_{max}^*$			O-Ring Cross Section	Quad-Ring® Cross Section
Standard Application		Light Application					$d_1$ h9	$L_1 +0.2$	$r_1$ max		
Series No.	Diameter Range	Series No.	Diameter Range	$d_2$	W						
PQ12	15 - 39.9	PQ14	40 - 79.9	$D_N - 11.0$	4.2	1.0	0.25	0.15	0.10	3.53	1.78
PQ12	40 - 79.9	PQ14	80 - 132.9	$D_N - 15.5$	6.3	1.3	0.30	0.20	0.15	5.33	1.78
PQ22	80 - 132.9	PQ24	133 - 252.9	$D_N - 21.0$	8.1	1.8	0.30	0.20	0.15	7.00	2.62
PQ22	133 - 252.9	-	-	$D_N - 24.5$	8.1	1.8	0.30	0.20	0.15	7.00	2.62
PQ32	253 - 462.9	-	-	$D_N - 28.0$	9.5	2.5	0.45	0.30	0.25	8.40	3.53
PQ52	463 - 700.0	-	-	$D_N - 35.0$	11.5	3.0	0.55	0.40	0.35	10.00	5.33

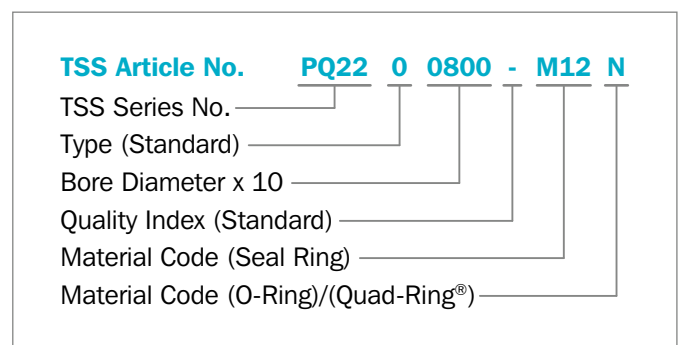
\* At pressures > 40 MPa use diameter tolerance H8/f8 (bore/rod) in the area of the seal use Turcon® AQ-Seal® 5 CR or consult your local Customer Solution Center for alternative material or profiles.  
Slydring® / Wear Rings are not applicable at very small radial clearances please consult the Slydring® section in this catalog.

### ORDERING EXAMPLE

AQ-Seal® complete with Quad-Ring® and O-Ring standard application:

<b>Series:</b>	PQ22 from Table 102
<b>Bore Diameter:</b>	$D_N = 80.0$ mm
<b>TSS Part No.</b>	PQ2200800 from Table 103

Select the material from Table 101. The corresponding code numbers are appended to the TSS Part No. Together they form the TSS Article Number. The TSS Article Number for all intermediate sizes can be determined by following the example:





**Table 103: Installation Dimensions / TSS Part No.**

Bore	Groove Diameter	Groove Width	Part No.	O-Ring Size	Quad-Ring® Size
D <sub>N</sub> H9	d <sub>1</sub> h9	L <sub>1</sub> +0.2			
16.0	5.0	4.2	PQ1200160	4.34 x 3.53	12.42 x 1.78
18.0	7.0	4.2	PQ1200180	6.40 x 3.53	14.00 x 1.78
20.0	9.0	4.2	PQ1200200	8.40 x 3.53	15.60 x 1.78
22.0	11.0	4.2	PQ1200220	10.69 x 3.53	17.17 x 1.78
<b>25.0</b>	<b>14.0</b>	<b>4.2</b>	<b>PQ1200250</b>	<b>13.87 x 3.53</b>	<b>20.35 x 1.78</b>
28.0	17.0	4.2	PQ1200280	15.47 x 3.53	23.52 x 1.78
30.0	19.0	4.2	PQ1200300	18.66 x 3.53	25.12 x 1.78
<b>32.0</b>	<b>21.0</b>	<b>4.2</b>	<b>PQ1200320</b>	<b>20.22 x 3.53</b>	<b>26.70 x 1.78</b>
35.0	24.0	4.2	PQ1200350	23.40 x 3.53	29.87 x 1.78
<b>40.0</b>	<b>29.0</b>	<b>4.2</b>	<b>PQ1400400</b>	<b>28.17 x 3.53</b>	<b>34.65 x 1.78</b>
42.0	31.0	4.2	PQ1400420	29.75 x 3.53	37.82 x 1.78
45.0	34.0	4.2	PQ1400450	32.92 x 3.53	37.82 x 1.78
48.0	37.0	4.2	PQ1400480	36.09 x 3.53	41.00 x 1.78
<b>50.0</b>	<b>39.0</b>	<b>4.2</b>	<b>PQ1400500</b>	<b>37.69 x 3.53</b>	<b>44.17 x 1.78</b>
<b>50.0</b>	<b>34.5</b>	<b>6.3</b>	<b>PQ1200500</b>	<b>32.69 x 5.33</b>	<b>44.17 x 1.78</b>
52.0	41.0	4.2	PQ1400520	40.87 x 3.53	47.35 x 1.78
55.0	44.0	4.2	PQ1400550	44.04 x 3.53	50.52 x 1.78
60.0	49.0	4.2	PQ1400600	47.22 x 3.53	53.70 x 1.78
<b>63.0</b>	<b>52.0</b>	<b>4.2</b>	<b>PQ1400630</b>	<b>50.39 x 3.53</b>	<b>56.87 x 1.78</b>
<b>63.0</b>	<b>47.5</b>	<b>6.3</b>	<b>PQ1200630</b>	<b>46.99 x 5.33</b>	<b>56.87 x 1.78</b>
65.0	54.0	4.2	PQ1400650	53.57 x 3.53	60.05 x 1.78
70.0	59.0	4.2	PQ1400700	56.74 x 3.53	63.22 x 1.78
70.0	54.5	6.3	PQ1200700	53.34 x 5.33	63.22 x 1.78
75.0	64.0	4.2	PQ1400750	63.09 x 3.53	69.57 x 1.78
<b>80.0</b>	<b>64.5</b>	<b>6.3</b>	<b>PQ1400800</b>	<b>62.87 x 5.33</b>	<b>72.75 x 1.78</b>
80.0	59.0	8.1	PQ2200800	58.00 x 7.00	71.12 x 2.62
85.0	69.5	6.3	PQ1400850	69.22 x 5.33	75.92 x 1.78
85.0	64.0	8.1	PQ2200850	63.00 x 7.00	75.87 x 2.62
90.0	74.5	6.3	PQ1400900	72.39 x 5.33	82.27 x 1.78
90.0	69.0	8.1	PQ2200900	68.00 x 7.00	82.22 x 2.62
95.0	79.5	6.3	PQ1400950	78.74 x 5.33	88.62 x 1.78
95.0	74.0	8.1	PQ2200950	73.00 x 7.00	82.22 x 2.62
<b>100.0</b>	<b>84.5</b>	<b>6.3</b>	<b>PQ1401000</b>	<b>81.92 x 5.33</b>	<b>88.62 x 1.78</b>
100.0	79.0	8.1	PQ2201000	78.00 x 7.00	88.57 x 2.62
105.0	89.5	6.3	PQ1401050	88.27 x 5.33	94.97 x 1.78
105.0	84.0	8.1	PQ2201050	83.00 x 7.00	94.92 x 2.62
110.0	94.5	6.3	PQ1401100	91.44 x 5.33	101.32 x 1.78
110.0	89.0	8.1	PQ2201100	88.00 x 7.00	101.27 x 2.62
115.0	99.5	6.3	PQ1401150	97.79 x 5.33	107.67 x 1.78
115.0	94.0	8.1	PQ2201150	93.00 x 7.00	107.62 x 2.62



Bore	Groove Diameter	Groove Width	Part No.	O-Ring Size	Quad-Ring® Size
$D_N$ H9	$d_1$ h9	$L_1$ +0.2			
120.0	104.5	6.3	PQ1401200	100.97 x 5.33	114.02 x 1.78
120.0	99.0	8.1	PQ2201200	98.00 x 7.00	107.62 x 2.62
<b>125.0</b>	<b>109.5</b>	<b>6.3</b>	<b>PQ1401250</b>	<b>107.32 x 5.33</b>	<b>114.02 x 1.78</b>
<b>125.0</b>	<b>104.0</b>	<b>8.1</b>	<b>PQ2201250</b>	<b>103.00 x 7.00</b>	<b>113.97 x 2.62</b>
130.0	114.5	6.3	PQ1401300	113.67 x 5.33	120.37 x 1.78
130.0	109.0	8.1	PQ2201300	108.00 x 7.00	120.32 x 2.62
135.0	114.0	8.1	PQ2401350	113.67 x 7.00	126.67 x 2.62
140.0	119.0	8.1	PQ2401400	116.84 x 7.00	126.67 x 2.62
150.0	129.0	8.1	PQ2401500	126.37 x 7.00	139.37 x 2.62
<b>160.0</b>	<b>139.0</b>	<b>8.1</b>	<b>PQ2401600</b>	<b>135.89 x 7.00</b>	<b>145.72 x 2.62</b>
170.0	149.0	8.1	PQ2401700	145.42 x 7.00	158.42 x 2.62
180.0	159.0	8.1	PQ2401800	158.12 x 7.00	171.12 x 2.62
190.0	169.0	8.1	PQ2401900	164.47 x 7.00	177.47 x 2.62
<b>200.0</b>	<b>179.0</b>	<b>8.1</b>	<b>PQ2402000</b>	<b>177.17 x 7.00</b>	<b>190.17 x 2.62</b>
210.0	189.0	8.1	PQ2402100	183.52 x 7.00	196.52 x 2.62
220.0	199.0	8.1	PQ2402200	196.22 x 7.00	202.87 x 2.62
230.0	209.0	8.1	PQ2402300	202.57 x 7.00	215.57 x 2.62
240.0	219.0	8.1	PQ2402400	215.27 x 7.00	221.92 x 2.62
250.0	225.5	8.1	PQ2202500	227.97 x 7.00	234.62 x 2.62
<b>250.0</b>	<b>229.0</b>	<b>8.1</b>	<b>PQ2402500</b>	<b>227.97 x 7.00</b>	<b>234.62 x 2.62</b>
280.0	252.0	9.5	PQ3202800	250.00 x 8.40	266.29 x 3.53
300.0	272.0	9.5	PQ3203000	270.00 x 8.40	278.99 x 3.53
310.0	282.0	9.5	PQ3203100	280.00 x 8.40	291.69 x 3.53
320.0	292.0	9.5	PQ3203200	304.00 x 8.40	304.39 x 3.53
350.0	322.0	9.5	PQ3203500	330.00 x 8.40	329.79 x 3.53
400.0	372.0	9.5	PQ3204000	370.00 x 8.40	380.59 x 3.53
420.0	392.0	9.5	PQ3204200	390.00 x 8.40	380.59 x 3.53
450.0	422.0	9.5	PQ3204500	420.00 x 8.40	430.66 x 3.53
480.0	445.0	11.5	PQ5204800	444.00 x 10.00	456.06 x 5.33
500.0	465.0	11.5	PQ5205000	464.00 x 10.00	456.06 x 5.33
600.0	565.0	11.5	PQ5206000	564.00 x 10.00	557.58 x 5.33
700.0	665.0	11.5	PQ5207000	664.00 x 10.00	658.88 x 5.33

The dimensions in **bold** type are suitable for grooves to ISO 7425-1. Bore diameter in accordance with ISO 3320.

All intermediate sizes up to 700 mm diameter can be supplied. Sizes > 700 mm diameter with special elastomers on request, see Turcon® AQ-Seal® with Bean Seal page 431.

---

! This page is intentionally left blank.

# Turcon® Stepseal® 2K



---

Single-acting

---

Rubber-energized plastic-faced seal

---

**Material:**

Turcon®, Zurcon® and Elastomer

---



---

! This page is intentionally left blank.



## Turcon® Stepseal® 2K\*



### Description

Stepseal® 2K is a single-acting seal element consisting of a seal ring of high-grade Turcon® or Zurcon® materials and an O-Ring as energizing element.

Stepseal® 2K was originally developed and patented by Trelleborg Sealing Solutions as a rod seal. Due to its outstanding properties it is well suited as a single-acting piston seal where high demands are made on positional accuracy and free movement.

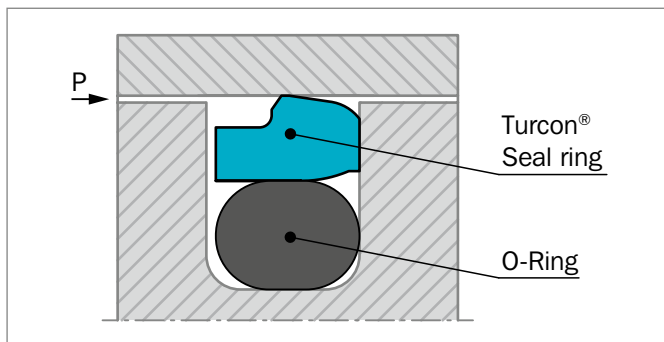


Figure 123: Turcon® Stepseal® 2K

### ADVANTAGES

- High static and dynamic sealing effect
- Low friction, high efficiency
- Stick-slip free operation
- High extrusion resistance allowing large hardware clearances
- High abrasion resistance
- Long service life
- Simple groove design, one-piece piston possible
- Wide range of application temperatures and high resistance to chemicals, depending on the choice of O-Ring material
- Simple installation without seal edge deformation
- Available for all diameters up to 2,700 mm

### APPLICATION EXAMPLES

Turcon® Stepseal® 2K is the recommended sealing element for single acting pistons in hydraulic components for:

- Mobile hydraulics
- Construction Equipment
- Injection molding machines
- Machine tools
- Presses
- Cranes
- Servo hydraulics
- Automotive industry

### OPERATING CONDITIONS

<b>Pressure:</b>	Up to 60 MPa
<b>Speed:</b>	Up to 15 m/s, with reciprocating movements, frequency up to 5 Hz
<b>Temperature:</b>	-45 °C to +200 °C**
<b>Media:</b>	Mineral oil-based hydraulic fluids, flame retardant hydraulic fluids, environmentally friendly hydraulic fluids (bio-oils), phosphate ester, water and others, depending on the seal and O-Ring material compatibility see Table 105
<b>Clearance:</b>	The maximum permissible radial clearance $S_{max}$ is shown in Table 106, as a function of the operating pressure and functional diameter.

### IMPORTANT NOTE

The above data are maximum values and cannot be used at the same time, e.g. the maximum operating speed depends on material type, pressure, temperature and gap value. Temperature range also depends on media.

\*\* In the case of unpressurized piston applications in temperatures below 0 °C please contact your local Customer Solution Center for more information!

\* Patent application: WO 00/75539 A1





## SERIES

Different cross section sizes are recommended as a function of the seal diameters.

Table 104 shows the relationship between the series number according to the seal diameter range and the different application class sizes. These application classes are:

- Standard application: General applications without no exceptional operating conditions.
- Light application: Applications with demands for reduced friction or for smaller grooves.
- Heavy-duty application: For exceptional operating loads such as high pressures, pressure peaks, etc.

**Table 104: Available Range**

Series No.	Bore Diameter D <sub>N</sub> H9
PSK00	6.0 - 140.0
PSK10	10.0 - 140.0
PSK20	12.0 - 320.0
PSK30	18.0 - 480.0
PSK40	50.0 - 700.0
PSK80	133.0 - 999.9
PSK50	250.0 - 999.9
PSK5X	1,000.0 - 1,200.0
PSK60	670.0 - 999.9
PSK6X	1,000.0 - 2,700.0

For the recommended Standard Application range see Table 106.

## ISO GROOVE

Stepseal® 2K is installed in Trelleborg Sealing Solutions standard Stepseal® grooves or according to ISO 7425-1 seal housing.

## INSTALLATION INSTRUCTIONS

Stepseal® 2K is installed according to information on page 247 to 249.

Closed groove installation according to dimensions in Table 80 page 249.



## RECOMMENDED MATERIALS

The following material combinations have proven effective for hydraulic applications:

### **Turcon® Stepseal® 2K in Turcon® M12**

All round material for light to heavy hydraulic applications with linear, short stroke or helical movements in mineral oils, flame retardant hydraulic fluids, phosphate ester, bio-oils or fluids having low lubricating properties:

O-Ring:           NBR 70 Shore A    N  
                     FKM 70 Shore A    V

Set code:        M12N or M12V

### **Turcon® Stepseal® 2K in Turcon® T46**

For medium to heavy applications with linear movements in mineral oils and other media with good lubrication:

O-Ring:           NBR 70 Shore A    N  
                     FKM 70 Shore A    V

Set code:        T46N or T46V

For specific applications, all Turcon® materials are available.

Other material combinations are listed in Table 105.



**Table 105: Turcon® and Zurcon® Materials for Stepseal® 2K**

Material, Applications, Properties	Code	O-Ring Material Shore A	Code	O-Ring Operating Temp.* °C	Mating Surface Material	MPa max. Dynamic
<b>Turcon® M12</b> First material choice for seals in linear motion Overall improved properties For new constructions and updating For all commonly applied hydraulic fluids including fluids with low lubrication performance Lowest friction and best sliding properties Lowest wear on seals Improved absorption of abrasive contaminants Low wear or abrasion of counter surface BAM tested Mineral fiber and Additives filled Color: Dark gray	M12	NBR 70	N	-30 to +100	Steel	50
		NBR 70 Low temp.	T	-45 to +80	Steel hardened Cast iron	
		FKM 70	V	-10 to +200	Stainless steel Titanium	
<b>Turcon® T05</b> For lubricating fluids Also for gas service Very low friction Very good sliding and sealing properties Color: Turquoise	T05	NBR 70	N	-30 to +100	Steel	20
		NBR 70 Low temp.	T	-45 to +80	Steel hardened	
		FKM 70	V	-10 to +200		
<b>Turcon® T08</b> For lubricating fluids and linear motion Very high compressive strength and extrusion resistance Hard counter surfaces is recommended Bronze filled Color: Light to dark brown, which may have variations in shading	T08	NBR 70	N	-30 to +100	Steel hardened	60
		NBR 70 Low temp.	T	-45 to +80	Cast iron	
		FKM 70	V	-10 to +200		
<b>Turcon® T10</b> For hydraulic and pneumatic For lubricating and non-lubricating fluids High extrusion resistance Good chemical resistance Not for electrically conducting fluids BAM tested Carbon, graphite filled Color: Black	T10	NBR 70	N	-30 to +100	Steel	40
		NBR 70 Low temp.	T	-45 to +80	Steel hardened Stainless steel	
		FKM 70	V	-10 to +200		
		EPDM 70	E**	-45 to +145		
<b>Turcon® T29</b> For lubricating and non-lubricating fluids Good extrusion resistance Surface texture is not suitable for gas sealing Not for electrically conducting fluids Carbon fiber filled Color: Gray	T29	NBR 70	N	-30 to +100	Steel	30
		NBR 70 Low temp.	T	-45 to +80	Steel hardened Cast iron Stainless steel	
		FKM 70	V	-10 to +200		
		EPDM 70	E**	-45 to +145		

Table continues on next page



Material, Applications, Properties	Code	O-Ring Material Shore A	Code	O-Ring Operating Temp.* °C	Mating Surface Material	MPa max. Dynamic
<b>Turcon® T40</b> For lubricating and non-lubricating fluids High frequency and short strokes Water hydraulics Surface texture is not suitable for gas sealing Carbon fiber filled Color: Gray	T40	NBR 70	N	-30 to +100	Steel	25
		NBR 70 Low temp.	T	-45 to +80	Steel hardened Cast iron	
		FKM 70	V	-10 to +200	Stainless steel	
		EPDM 70	E**	-45 to +145	Aluminum	
<b>Turcon® T46</b> For lubricated hydraulics in linear motion High compressive strength High extrusion resistance Very good sliding and wear properties BAM tested Bronze filled Color: Light to dark brown, which may have variations in shading	T46	NBR 70	N	-30 to +100	Steel hardened	50
		NBR 70 Low temp.	T	-45 to +80	Cast iron	
		FKM 70	V	-10 to +200		
<b>Zurcon® Z53***</b> For mineral oil based fluids Very high abrasion and extrusion resistance For counter surface with rougher surface finish Limited chemical resistance Max. working temperature 110 °C Cast polyurethane Color: Yellow to light-brown	Z53	NBR 70	N	-30 to +100	Steel	60
		NBR 70 Low temp.	T	-45 to +80	Steel hardened Steel chrome plated (rod) Cast iron Stainless steel Ceramic coating	
<b>Zurcon® Z80</b> For lubricating and non-lubricating fluids Water based fluids, air and gases Dry air pneumatics High abrasion and extrusion resistance For service in abrasive conditions and media with particles Good chemical resistance Limited temperature capability (-60 to +80 °C) UHMWPE (Ultra High Molecular Weight Polyethylene) Color: White to off-white	Z80	NBR 70	N	-30 to (+100)	Steel	35
		NBR 70 Low temp.	T	-45 to +80	Steel hardened Stainless steel	
		EPDM 70	E**	-45 to (+145)	Aluminum Ceramic coating	

\* The O-Ring Operation Temperature is only valid in mineral hydraulic oil (except EPDM).

\*\* Material not suitable for mineral oils.

\*\*\* Max. diameter 2,300 mm

BAM: Tested by "Bundesanstalt Materialprüfung, Germany".

Highlighted materials are recommended.



## Installation Recommendation

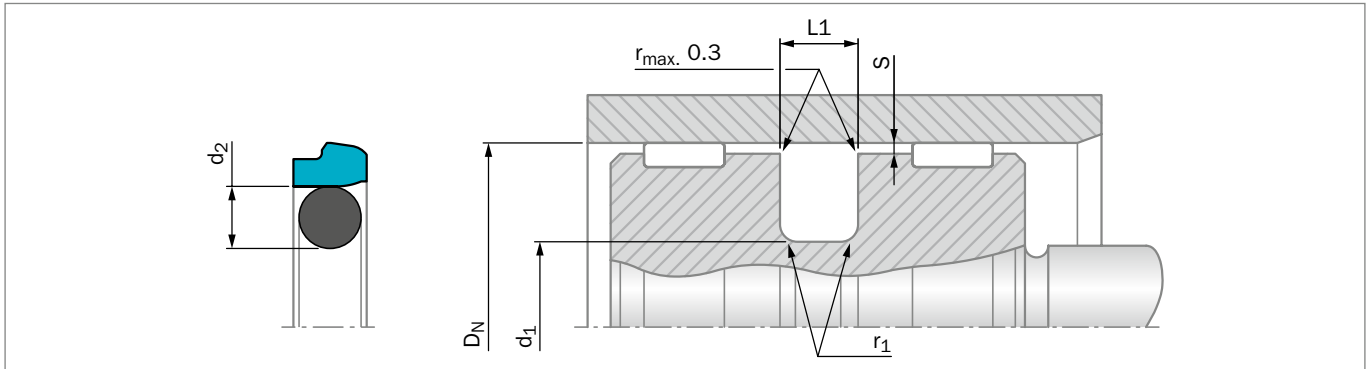


Figure 124: Installation Drawing

Table 106: Installation Dimensions - Standard Recommendations

Series No.	Bore Diameter $D_N$ H9			Groove Diameter $d_1$ h9	Groove Width $L_1$ +0.2	Radius $r_1$ max	Radial Clearance $S_{max}^*$			O-Ring Cross Section $d_2$
	Standard Application	Light Application	Heavy-Duty Application				10 MPa	20 MPa	40 MPa	
PSK0	8 - 16.9	17 - 26.9	-	$D_N - 4.9$	2.2	0.4	0.30	0.20	0.15	1.78
PSK1	17 - 26.9	27 - 59.9	-	$D_N - 7.3$	3.2	0.6	0.40	0.25	0.15	2.62
PSK2	27 - 59.9	60 - 199.9	17 - 24.9	$D_N - 10.7$	4.2	1.0	0.50	0.30	0.20	3.53
PSK3	60 - 199.9	200 - 255.9	25 - 59.9	$D_N - 15.1$	6.3	1.3	0.70	0.40	0.25	5.33
PSK4	200 - 255.9	256 - 669.9	60 - 199.9	$D_N - 20.5$	8.1	1.8	0.80	0.60	0.35	7.00
PSK8	256 - 669.9	670 - 999.9	200 - 255.9	$D_N - 24.0$	8.1	1.8	0.90	0.70	0.40	7.00
PSK5	670 - 999.9	-	256 - 669.9	$D_N - 27.3$	9.5	2.5	1.00	0.80	0.60	8.40
PSK5X	-	1,000 - 1,200	-	$D_N - 27.3$	9.5	2.5	1.00	0.80	0.60	8.40
PSK6**	-	-	670 - 999.9	$D_N - 38.0$	13.8	3.0	1.20	0.90	0.60	12.00
PSK6X**	1,000 - 2,700	-	-	$D_N - 38.0$	13.8	3.0	1.20	0.90	0.60	12.00

\* At pressures > 40 MPa use diameter tolerance H8/f8 (bore/piston) in the area behind seal or consult your local Customer Solution Center for alternative material or profiles.

Slydring® / Wear Rings are not applicable at very small radial clearances please consult the Slydring® section in this catalog.

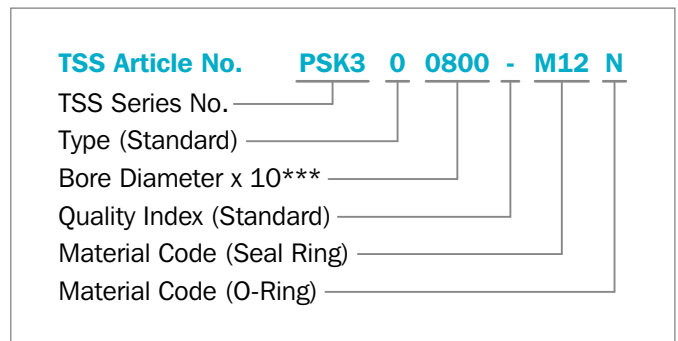
\*\* O-Rings with 12 mm cross section are delivered as special profile ring

### ORDERING EXAMPLE

Turcon® Stepseal® 2K complete with O-Ring, standard application:

<b>Series:</b>	PSK3 from Table 106
<b>Bore Diameter:</b>	$D_N = 80.0$ mm
<b>TSS Part No.:</b>	PSK300800 from Table 107

Select the material from Table 105. The corresponding code numbers are appended to the TSS Part No. Together these form the TSS Article Number. The TSS Article Number for all intermediate sizes can be determined by following the example:



\*\*\* For diameters  $D_N \geq 1,000.0$  mm multiply only by factor 1.  
 Example: PSK6 for diameter  $D_N = 1,200.0$  mm  
 TSS Article No.: PSK6X1200 - M12N



Table 107: Installation Dimensions / TSS Part No.

Bore Dia.	Groove Dia.	Groove Width	TSS Part No.	O-Ring Dimensions	Bore Dia.	Groove Dia.	Groove Width	TSS Part No.	O-Ring Dimensions
$D_N$ h9	$d_1$ h9	$L_1$ +0.2			$D_N$ h9	$d_1$ h9	$L_1$ +0.2		
9.0	4.1	2.2	PSK000090	3.68 x 1.78	90.0	69.5	8.1	PSK400900	68.00 x 7.00
<b>10.0</b>	<b>5.1</b>	<b>2.2</b>	<b>PSK000100</b>	<b>4.47 x 1.78</b>	95.0	79.9	6.3	PSK300950	78.74 x 5.33
<b>12.0</b>	<b>7.1</b>	<b>2.2</b>	<b>PSK000120</b>	<b>6.70 x 1.80</b>	95.0	74.5	8.1	PSK400950	73.00 x 7.00
14.0	9.1	2.2	PSK000140	8.75 x 1.80	<b>100.0</b>	<b>84.9</b>	<b>6.3</b>	<b>PSK301000</b>	<b>81.92 x 5.33</b>
14.5	9.6	2.2	PSK000145	9.25 x 1.78	<b>100.0</b>	<b>79.5</b>	<b>8.1</b>	<b>PSK401000</b>	<b>78.00 x 7.00</b>
15.0	10.1	2.2	PSK000150	9.50 x 1.80	105.0	89.9	6.3	PSK301050	88.27 x 5.33
15.0	7.7	3.2	PSK100150	7.03 x 2.62	105.0	84.5	8.1	PSK401050	83.00 x 7.00
<b>16.0</b>	<b>11.1</b>	<b>2.2</b>	<b>PSK000160</b>	<b>10.60 x 1.80</b>	106.0	90.9	6.3	PSK301060	88.27 x 5.33
18.0	10.7	3.2	PSK100180	9.19 x 2.62	110.0	94.9	6.3	PSK301100	91.44 x 5.33
<b>20.0</b>	<b>15.1</b>	<b>2.2</b>	<b>PSK000200</b>	<b>14.00 x 1.78</b>	110.0	89.5	8.1	PSK401100	88.00 x 7.00
<b>20.0</b>	<b>12.7</b>	<b>3.2</b>	<b>PSK100200</b>	<b>12.37 x 2.62</b>	115.0	99.9	6.3	PSK301150	97.79 x 5.33
22.0	14.7	3.2	PSK100220	13.94 x 2.62	115.0	94.5	8.1	PSK401150	93.00 x 7.00
<b>25.0</b>	<b>17.7</b>	<b>3.2</b>	<b>PSK100250</b>	<b>17.12 x 2.62</b>	120.0	104.9	6.3	PSK301200	104.14 x 5.33
<b>25.0</b>	<b>14.3</b>	<b>4.2</b>	<b>PSK200250</b>	<b>13.87 x 3.53</b>	120.0	99.5	8.1	PSK401200	98.00 x 7.00
28.0	17.3	4.2	PSK200280	15.47 x 3.53	<b>125.0</b>	<b>109.9</b>	<b>6.3</b>	<b>PSK301250</b>	<b>107.32 x 5.33</b>
30.0	22.7	3.2	PSK100300	21.89 x 2.62	<b>125.0</b>	<b>104.5</b>	<b>8.1</b>	<b>PSK401250</b>	<b>103.00 x 7.00</b>
30.0	19.3	4.2	PSK200300	18.66 x 3.53	130.0	114.9	6.3	PSK301300	113.67 x 5.33
<b>32.0</b>	<b>24.7</b>	<b>3.2</b>	<b>PSK100320</b>	<b>23.47 x 2.62</b>	130.0	109.5	8.1	PSK401300	108.00 x 7.00
<b>32.0</b>	<b>21.3</b>	<b>4.2</b>	<b>PSK200320</b>	<b>20.22 x 3.53</b>	135.0	114.5	8.1	PSK401350	113.67 x 7.00
35.0	24.3	4.2	PSK200350	23.40 x 3.53	140.0	119.5	8.1	PSK401400	116.84 x 7.00
<b>40.0</b>	<b>32.7</b>	<b>3.2</b>	<b>PSK100400</b>	<b>31.42 x 2.62</b>	145.0	124.5	8.1	PSK401450	123.19 x 7.00
<b>40.0</b>	<b>29.3</b>	<b>4.2</b>	<b>PSK200400</b>	<b>28.17 x 3.53</b>	150.0	129.5	8.1	PSK401500	126.37 x 7.00
42.0	31.3	4.2	PSK200420	29.75 x 3.53	155.0	139.9	6.3	PSK301550	135.89 x 5.33
45.0	34.3	4.2	PSK200450	32.92 x 3.53	<b>160.0</b>	<b>144.9</b>	<b>6.3</b>	<b>PSK301600</b>	<b>142.24 x 5.33</b>
48.0	37.3	4.2	PSK200480	36.09 x 3.53	<b>160.0</b>	<b>139.5</b>	<b>8.1</b>	<b>PSK401600</b>	<b>135.89 x 7.00</b>
<b>50.0</b>	<b>39.3</b>	<b>4.2</b>	<b>PSK200500</b>	<b>37.69 x 3.53</b>	165.0	149.9	6.3	PSK301650	148.49 x 5.33
<b>50.0</b>	<b>34.9</b>	<b>6.3</b>	<b>PSK300500</b>	<b>32.69 x 5.33</b>	165.0	144.5	8.1	PSK401650	142.24 x 7.00
52.0	41.3	4.2	PSK200520	40.87 x 3.53	170.0	149.5	8.1	PSK401700	145.42 x 7.00
55.0	44.3	4.2	PSK200550	44.04 x 3.53	175.0	159.9	6.3	PSK301750	158.12 x 5.33
60.0	44.9	6.3	PSK300600	43.82 x 5.33	180.0	164.9	6.3	PSK301800	164.47 x 5.33
<b>63.0</b>	<b>52.3</b>	<b>4.2</b>	<b>PSK200630</b>	<b>50.39 x 3.53</b>	180.0	159.5	8.1	PSK401800	158.12 x 7.00
<b>63.0</b>	<b>47.9</b>	<b>6.3</b>	<b>PSK300630</b>	<b>46.99 x 5.33</b>	190.0	174.9	6.3	PSK301900	170.82 x 5.33
65.0	49.9	6.3	PSK300650	46.99 x 5.33	190.0	169.5	8.1	PSK401900	164.47 x 7.00
70.0	59.3	4.2	PSK200700	56.74 x 3.53	<b>200.0</b>	<b>184.9</b>	<b>6.3</b>	<b>PSK302000</b>	<b>183.52 x 5.33</b>
70.0	54.9	6.3	PSK300700	53.34 x 5.33	<b>200.0</b>	<b>179.5</b>	<b>8.1</b>	<b>PSK402000</b>	<b>177.17 x 7.00</b>
75.0	59.9	6.3	PSK300750	56.52 x 5.33	205.0	184.5	8.1	PSK402050	183.52 x 7.00
<b>80.0</b>	<b>64.9</b>	<b>6.3</b>	<b>PSK300800</b>	<b>62.87 x 5.33</b>	210.0	189.5	8.1	PSK402100	183.52 x 7.00
<b>80.0</b>	<b>59.5</b>	<b>8.1</b>	<b>PSK400800</b>	<b>58.00 x 7.00</b>	220.0	204.9	6.3	PSK302200	202.57 x 5.33
85.0	69.9	6.3	PSK300850	69.22 x 5.33	220.0	199.5	8.1	PSK402200	196.22 x 7.00
85.0	64.5	8.1	PSK400850	63.00 x 7.00	230.0	209.5	8.1	PSK402300	208.90 x 7.00
90.0	74.9	6.3	PSK300900	72.39 x 5.33	240.0	219.5	8.1	PSK402400	215.27 x 7.00



Bore Dia.	Groove Dia.	Groove Width	TSS Part No.	O-Ring Dimensions
$D_N$ h9	$d_1$ h9	$L_1$ +0.2		
<b>250.0</b>	<b>229.5</b>	<b>8.1</b>	<b>PSK402500</b>	<b>227.97 x 7.00</b>
<b>250.0</b>	<b>226.0</b>	<b>8.1</b>	<b>PSK802500</b>	<b>227.97 x 7.00</b>
260.0	236.0	8.1	PSK802600	227.97 x 7.00
270.0	246.0	8.1	PSK802700	240.67 x 7.00
280.0	256.0	8.1	PSK802800	253.37 x 7.00
300.0	276.0	8.1	PSK803000	266.07 x 7.00
306.0	285.5	8.1	PSK403060	278.77 x 7.00
310.0	286.0	8.1	PSK803100	278.77 x 7.00
<b>320.0</b>	<b>299.5</b>	<b>8.1</b>	<b>PSK403200</b>	<b>291.47 x 7.00</b>
<b>320.0</b>	<b>296.0</b>	<b>8.1</b>	<b>PSK803200</b>	<b>291.47 x 7.00</b>
330.0	306.0	8.1	PSK803300	304.17 x 7.00
340.0	316.0	8.1	PSK803400	316.87 x 7.00
345.0	324.5	8.1	PSK403450	316.87 x 7.00
350.0	326.0	8.1	PSK803500	316.87 x 7.00
360.0	336.0	8.1	PSK803600	329.57 x 7.00
370.0	346.0	8.1	PSK803700	342.27 x 7.00
380.0	356.0	8.1	PSK803800	354.97 x 7.00
<b>400.0</b>	<b>376.0</b>	<b>8.1</b>	<b>PSK804000</b>	<b>367.67 x 7.00</b>
420.0	396.0	8.1	PSK804200	393.07 x 7.00
430.0	406.0	8.1	PSK804300	405.26 x 7.00
440.0	416.0	8.1	PSK804400	405.26 x 7.00
450.0	426.0	8.1	PSK804500	417.96 x 7.00

Bore Dia.	Groove Dia.	Groove Width	TSS Part No.	O-Ring Dimensions
$D_N$ h9	$d_1$ h9	$L_1$ +0.2		
480.0	456.0	8.1	PSK804800	456.06 x 7.00
<b>500.0</b>	<b>476.0</b>	<b>8.1</b>	<b>PSK805000</b>	<b>468.76 x 7.00</b>
520.0	499.5	8.1	PSK405200	494.16 x 7.00
540.0	516.0	8.1	PSK805400	506.86 x 7.00
600.0	576.0	8.1	PSK806000	557.66 x 7.00
650.0	626.0	8.1	PSK806500	608.08 x 7.00
700.0	672.7	9.5	PSK507000	670.00 x 8.40
800.0	772.7	9.5	PSK508000	770.00 x 8.40
860.0	832.7	9.5	PSK508600	830.00 x 8.40
900.0	872.7	9.5	PSK509000	870.00 x 8.40
920.0	892.7	9.5	PSK509200	890.00 x 8.40
1,000.0	972.7	9.5	PSK5X1000	970.00 x 8.40
1,000.0	962.0	13.8	PSK6X1000	960.00 x 12.00
1,200.0	1,172.7	9.5	PSK5X1200	1,170.00 x 8.40
1,200.0	1,162.0	13.8	PSK6X1200	1,160.00 x 12.00
1,500.0	1,462.0	13.8	PSK6X1500	1,460.00 x 12.00
2,000.0	1,962.0	13.8	PSK6X2000	1,960.00 x 12.00
2,700.0	2,662.0	13.8	PSK6X2700	2,660.00 x 12.00

The bore diameters in **bold** type comply with the recommendations of ISO 3320. Other dimensions and all intermediate sizes up to 2,700 mm diameter including imperial (inch) sizes can be supplied.

All O-Rings with 12 mm cross section are delivered as special profile ring.

# Turcon® Stepseal® V



---

Single-acting

---

Rubber-energized plastic-faced seal

---

**Material:**

Turcon®, Zurcon® and Elastomer

---





---

! This page is intentionally left blank.



## ■ Turcon® Stepseal® V\*



### ■ Introduction

First invented by Trelleborg Sealing Solutions, a build-in check valve function eliminates pressure trap between seals in tandem sealing systems.

Stepseal® V has the efficient seal performance of the Turcon® Stepseal® range and the reliable prevention of pressure build-up brought by a refined check valve function. In dynamic applications Stepseal® V brings efficient, reliable sealing performance under even the most demanding service conditions.

Stepseal® V offers a uniform, low friction characteristic of the sealing system throughout its whole life, by preventing undefined pressurization of the secondary seal element.

### CHARACTERISTICS

- Primary seal with hydrostatic ventilation
- Check valve function
- Hydrodynamic back-pumping
- Stabilised position in the groove
- Prolonged seal life
- Increased leakage control
- Only usable with a secondary seal

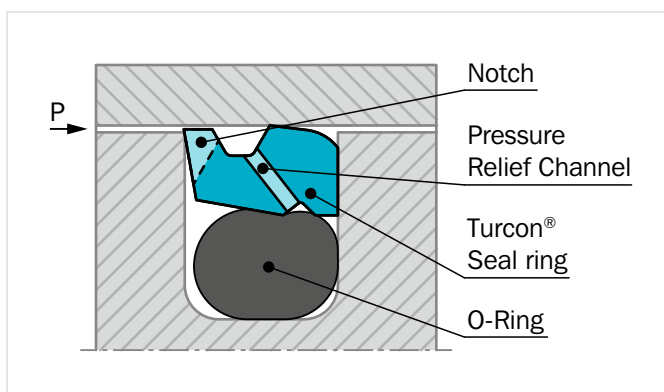


Figure 125: Turcon® Stepseal® V with tight axial groove fit

### DESCRIPTION

Stepseal® V is a new generation primary seal designed for use in seal systems based on the dynamic, unidirectional Stepseal® sealing concept. Applied as a piston seal, Stepseal® V is preferably used with a double-acting seal from the Turcon® range of piston seals. Under extreme performance requirements Stepseal® V offers improved leakage control, extended service life and increased reliability.

The sealing performance of the patented Stepseal® V design – Figure 125 – results from a combination of the hydrodynamic properties of the seal and the O-Ring and the hydrostatic pressure relief check valve function.

The classic Stepseal® operation ensures a controlled pressure gradient that minimizes fluid adherence to the cylinder bore during the stroke, and enables residual fluid film on the bore to be returned under the seal on the return stroke.

The O-Ring check valve function controls the operation of the pressure relief channel: When the seal is pressurized by the system pressure the O-Ring keeps the channel closed to ensure that the hydraulic fluid is not passing through the channel and further between the groove wall and the Turcon® Seal Ring.

If the pressure is higher than the actual system pressure, appears between Stepseal® V and the secondary seal, the O-Ring opens the relief groove and the inter-seal pressure is immediately relieved.

Stepseal® V is available in high-grade Turcon® or Zurcon® materials with outstanding sliding and wear resistance properties.

\* Patent application: WO 2007/131468 A1



### ADVANTAGES:

- No pressure build-up on secondary sealing element and Excluder®
- Check valve function of O-Ring eliminates risk of fluid bypassing the seal during pressure loading when pressurised
- Independent of any speed relation of counter surface
- Independent of stroke length
- High tolerance to hardware non-concentricity and radial play
- Minimum contribution of friction of secondary sealing element
- Minimum wear of secondary sealing element
- Increased leakage control
- Prolonged seal life
- Increased operational reliability
- Fits standard Turcon® Stepseal® 2K groove dimensions as well as ISO 7425-1 seal housings

### APPLICATION EXAMPLES

- Piston accumulators
- Single acting hydraulic cylinders
- Pistons with tandem sealing system
- Mobile crane boom cylinders
- Hydro plant cylinders
- Storm barrier cylinders
- Long stroke cylinders
- Gas spring suspension
- Piling Barges
- Theater hydraulics
- Safety systems

### OPERATING CONDITIONS

<b>Pressure:</b>	Up to 50 MPa (Turcon® M12) Up to 60 MPa (Turcon® T08 and Zurcon® Z53)
<b>Speed:</b>	Up to 15 m/s with linear movements, frequency up to 15 Hz
<b>Temperature:</b>	-45 °C to +200 °C* depending on seal and O-Ring material

<b>Media:</b>	Mineral oil based hydraulic fluids, flame retardant hydraulic fluids, environmentally friendly hydraulic fluids (bio-oils), phosphate ester, water and others, depending on the seal and O-Ring material compatibility - see Table 109.
<b>Clearance:</b>	The maximum permissible radial clearance $S_{max}$ is shown in Table 110, as a function of the operating pressure and functional diameter.

### IMPORTANT NOTE

The above data are maximum values and cannot be used at the same time, e.g. the maximum operating speed depends on material type, pressure, temperature and gap value. Temperature range also depends on media.

\* In the case of unpressurized applications in temperatures below 0 °C please contact your local Customer Solution Center for more information!

### SERIES

Different cross section sizes are recommended as a function of the seal diameters.

Table 108 shows the relationship between the series number according to the seal diameter range and the different application class sizes:

Standard application:	General applications without exceptional operating conditions.
Light application:	Applications with demands for reduced friction or for smaller grooves.
Heavy-duty application:	For exceptional operating loads such as high pressures, pressure peaks, etc.

**Table 108: Available Range**

Series No.	Piston Diameter D <sub>N</sub> H9
PSV20	15.0 - 200.0
PSV30	27.0 – 256.0
PSV40	60.0 – 700.0
PSV80	133.0 - 999.9
PSV50	250.0 - 999.9
PSV5X	1,000.0 - 1,200.0
PSV60	670.0 - 999.9
PSV6X	1,000.0 - 2,700.0

For the recommended Standard Application range see Table 110

### REDUNDANT SEALING SYSTEM

In many applications a secondary seal is needed e.g. for safety requirements. Figure 126 shows such a tandem configuration with Stepseal® V.

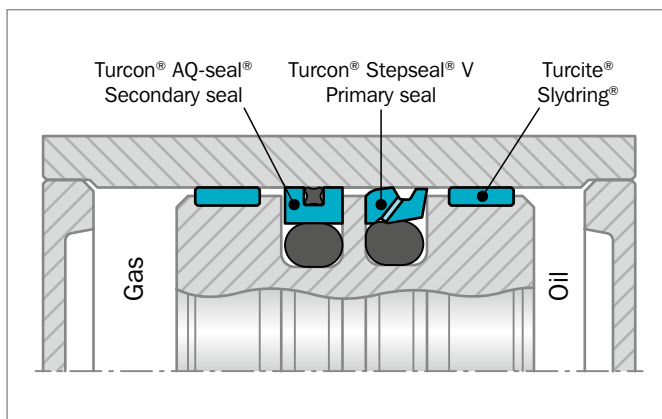


Figure 126: Tandem Turcon® Stepseal® V and Turcon® AQ-Seal® configuration in piston accumulator

When utilizing Stepseal® V, with valve function, there will be no pressure trap between the primary and secondary seals and no extra space between them is required to accumulate hydraulic fluid.

### INSTALLATION INSTRUCTIONS

Stepseal® V is installed according to information on page 247 to page 249.

Closed groove installation according to dimensions in Table 80 page 249.

### RECOMMENDED MATERIALS

The following material combinations have proven effective for hydraulic applications:

#### Turcon® Stepseal® V in Turcon® M12

All round material for light to heavy hydraulic applications with linear, short stroke or helical movements in mineral oils, flame retardant hydraulic fluids, phosphate ester, bio-oils or fluids having low lubricating properties:

O-Ring: NBR 70 Shore A N  
FKM 70 Shore A V

Set code: M12N or M12V

#### Turcon® Stepseal® V in Turcon® T46

For medium to heavy applications with linear movements in mineral oils and other media with good lubrication:

O-Ring: NBR 70 Shore A N  
FKM 70 Shore A V

Set code: T46N or T46V

For specific applications, all Turcon® materials are available.

Other material combinations are listed in Table 109.



**Table 109: Turcon® and Zurcon® Materials for Stepseal® V**

Material, Applications, Properties	Code	O-Ring Material Shore A	Code	O-Ring Operating Temp. * °C	Mating Surface Material	MPa max. Dynamic
<b>Turcon® M12</b> First material choice for seals in linear motion Overall improved properties For new constructions and updating For all commonly applied hydraulic fluids including fluids with low lubrication performance Lowest friction and best sliding properties Lowest wear on seals Improved absorption of abrasive contaminants Low wear or abrasion of counter surface BAM tested Mineral fiber and Additives filled Color: Dark gray	M12	NBR 70	N	-30 to +100	Steel	50
		NBR 70 Low temp.	T	-45 to +80	Steel hardened Cast iron	
		FKM 70	V	-10 to +200	Stainless steel Titanium	
<b>Turcon® T05</b> For lubricating fluids Also for gas service Very low friction Very good sliding and sealing properties Color: Turquoise	T05	NBR 70	N	-30 to +100	Steel	20
		NBR 70 Low temp.	T	-45 to +80	Steel hardened	
		FKM 70	V	-10 to +200		
<b>Turcon® T08</b> For lubricating fluids and linear motion Very high compressive strength and extrusion resistance Hard counter surfaces is recommended Bronze filled Color: Light to dark brown, which may have variations in shading	T08	NBR 70	N	-30 to +100	Steel hardened	60
		NBR 70 Low temp.	T	-45 to +80	Cast iron	
		FKM 70	V	-10 to +200		
<b>Turcon® T10</b> For hydraulic and pneumatic For linear motion in lubricating and non-lubricating fluids High extrusion resistance Good chemical resistance Not for electrically conducting fluids BAM tested Carbon, graphite filled Color: Black	T10	NBR 70	N	-30 to +100	Steel	40
		NBR 70 Low temp.	T	-45 to +80	Steel hardened Stainless steel	
		FKM 70	V	-10 to +200		
		EPDM 70	E**	-45 to +145		
<b>Turcon® T29</b> For lubricating and non-lubricating fluids Good extrusion resistance Surface texture is not suitable for gas sealing Not for electrically conducting fluids Carbon fiber filled Color: Gray	T29	NBR 70	N	-30 to +100	Steel	30
		NBR 70 Low temp.	T	-45 to +80	Steel hardened Cast iron	
		FKM 70	V	-10 to +200	Stainless steel	
		EPDM 70	E**	-45 to +145		



Material, Applications, Properties	Code	O-Ring Material Shore A	Code	O-Ring Operating Temp. * °C	Mating Surface Material	MPa max. Dynamic
<b>Turcon® T40</b> For lubricating and non-lubricating fluids High frequency and short strokes Water hydraulics Surface texture is not suitable for gas sealing Carbon fiber filled Color: Gray	T40	NBR 70	N	-30 to +100	Steel	25
		NBR 70 Low temp.	T	-45 to +80	Steel hardened Cast iron	
		FKM 70	V	-10 to +200	Stainless steel	
		EPDM 70	E**	-45 to +145	Aluminum	
<b>Turcon® T46</b> For lubricated hydraulics in linear motion High compressive strength High extrusion resistance Very good sliding and wear properties BAM tested Bronze filled Color: Light to dark brown, which may have variations in shading	T46	NBR 70	N	-30 to +100	Steel hardened	50
		NBR 70 Low temp.	T	-45 to +80	Cast iron	
		FKM 70	V	-10 to +200		
<b>Zurcon® Z53***</b> For mineral oil based fluids Very high abrasion and extrusion resistance For counter surface with rougher surface finish Limited chemical resistance Max. working temperature 110 °C Cast polyurethane Color: Yellow to light-brown	Z53	NBR 70	N	-30 to +100	Steel	60
		NBR 70 Low temp.	T	-45 to +80	Steel hardened Steel chrome plated (rod) Cast iron Stainless steel Ceramic coating	
<b>Zurcon® Z80</b> For lubricating and non-lubricating fluids Water based fluids, air and gases Dry air pneumatics High abrasion and extrusion resistance For service in abrasive conditions and media with particles Good chemical resistance Limited temperature capability (-60 to +80 °C) UHMWPE (Ultra High Molecular Weight Polyethylene) Color: White to off-white	Z80	NBR 70	N	-30 to (+100)	Steel	35
		NBR 70 Low temp.	T	-45 to +80	Steel hardened Stainless steel	
		EPDM 70	E**	-45 to (+145)	Aluminum Ceramic coating	

\* The O-Ring Operation Temperature is only valid in mineral hydraulic oil (except EPDM).

\*\* Material not suitable for mineral oils.

\*\* Max. diameter 2,300 mm

BAM: Tested by "Bundesanstalt Materialprüfung, Germany".

  Highlighted materials are recommended.



## Installation Recommendation

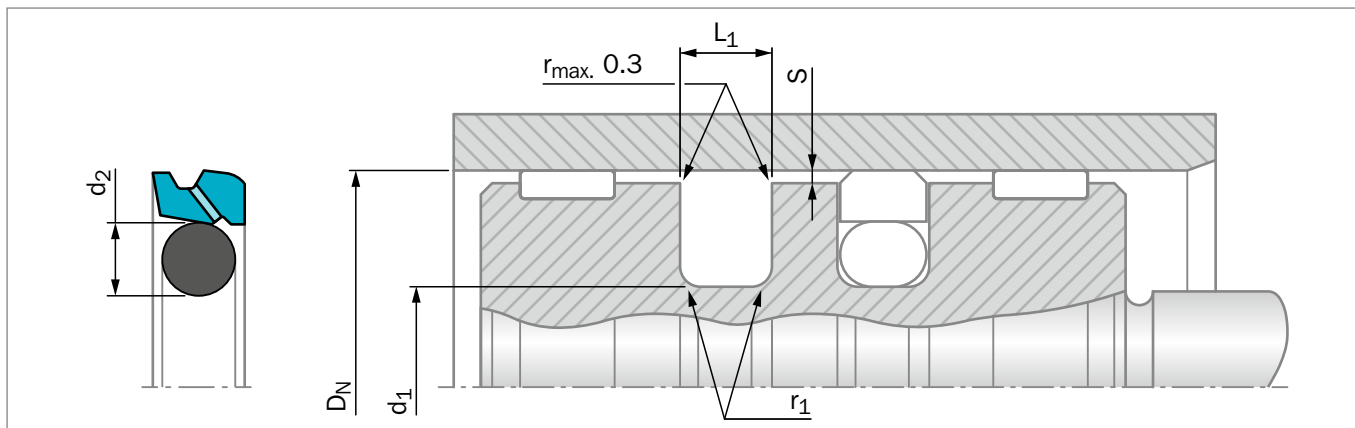


Figure 127: Installation Drawing

Table 110: Installation Dimensions – Standard Recommendations

Series No.	Bore Diameter $D_N$ H9			Groove Diameter $d_1$ h9	Groove Width $L_1 + 0.2$	Radius $r_1$ max	Radial Clearance $S_{max}^*$			O-Ring Cross Section $d_2$
	Standard Application	Light Application	Heavy Duty Application				10 MPa	20 MPa	40 MPa	
PSV2	25 - 59.9	60 - 199.9	15 - 24.9	$D_N - 10.7$	4.2	1.0	0.50	0.30	0.20	3.53
PSV3	60 - 199.9	200 - 255.9	25 - 59.9	$D_N - 15.1$	6.3	1.3	0.70	0.40	0.25	5.33
PSV4	200 - 255.9	256 - 669.9	60 - 199.9	$D_N - 20.5$	8.1	1.8	0.80	0.60	0.35	7.00
PSV8	256 - 669.9	670 - 999.9	200 - 255.9	$D_N - 24.0$	8.1	1.8	0.90	0.70	0.40	7.00
PSV5	670 - 999.9	-	256 - 669.9	$D_N - 27.3$	9.5	2.5	1.00	0.80	0.50	8.40
PSV5X	-	1,000 - 1,200	-	$D_N - 27.3$	9.5	2.5	1.00	0.80	0.50	8.40
PSV6**	-	-	670 - 999.9	$D_N - 38.0$	13.8	3.0	1.20	0.90	0.60	12.00
PSV6X**	1,000 - 2,700	-	-	$D_N - 38.0$	13.8	3.0	1.20	0.90	0.60	12.00

\* At pressures > 40 MPa use diameter tolerance H8/f8 (bore/piston) in the area behind seal or consult your local Customer Solution Center for alternative material or profiles.

Slydring® / Wear Rings are not applicable at very small radial clearances please consult the Slydring® section in this catalog.

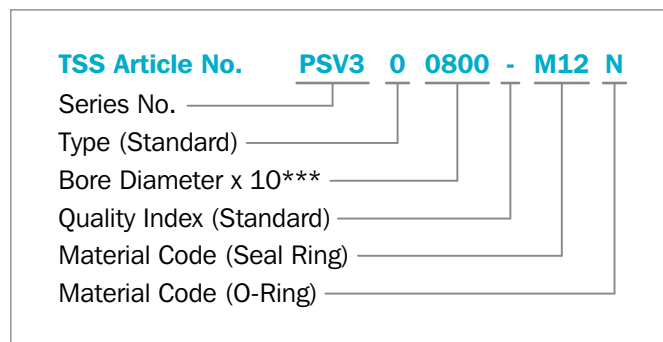
\*\* All O-Rings with 12 mm cross section are delivered as special profile ring.

### ORDERING EXAMPLE

Turcon® Stepseal® V complete with O-Ring, standard application:

<b>Series:</b>	PSV3 from Table 110
<b>Bore Diameter:</b>	$D_N = 80.0$ mm
<b>TSS Part No.:</b>	PSV300800 from Table 111

Select the material from Table 109. The corresponding code numbers are appended to the TSS Part No. Together these form the TSS Article Number. The TSS Article Number for all intermediate sizes can be determined by following the example:



\*\*\* For diameters  $D_N \geq 1,000.0$  mm multiply only by factor 1.  
 Example: PSVK6 for diameter  $D_N = 1,200.0$  mm  
 TSS Article No.: PSV6X**1200** - M12N



Table 111: Installation Dimensions / TSS Part No.

Bore Dia.	Groove Dia.	Groove Width	TSS Part No.	O-Ring Dimensions	Bore Dia.	Groove Dia.	Groove Width	TSS Part No.	O-Ring Dimensions
D <sub>N</sub> H9	d <sub>1</sub> h9	L <sub>1</sub> +0.2			D <sub>N</sub> H9	d <sub>1</sub> h9	L <sub>1</sub> +0.2		
15.0	4.3	4.2	PSV200150	3.47 x 3.53	115.0	99.9	6.3	PSV301150	97.79 x 5.33
<b>20.0</b>	<b>9.3</b>	<b>4.2</b>	<b>PSV200200</b>	<b>8.47 x 3.53</b>	115.0	94.5	8.1	PSV401150	93.00 x 7.00
<b>25.0</b>	<b>14.3</b>	<b>4.2</b>	<b>PSV200250</b>	<b>13.87 x 3.53</b>	120.0	104.9	6.3	PSV301200	104.14 x 5.33
28.0	17.3	4.2	PSV200280	15.47 x 3.53	120.0	99.5	8.1	PSV401200	98.00 x 7.00
30.0	19.3	4.2	PSV200300	18.66 x 3.53	<b>125.0</b>	<b>109.9</b>	<b>6.3</b>	<b>PSV301250</b>	<b>107.32 x 5.33</b>
<b>32.0</b>	<b>21.3</b>	<b>4.2</b>	<b>PSV200320</b>	<b>20.22 x 3.53</b>	<b>125.0</b>	<b>104.5</b>	<b>8.1</b>	<b>PSV401250</b>	<b>103.00 x 7.00</b>
35.0	24.3	4.2	PSV200350	23.40 x 3.53	130.0	114.9	6.3	PSV301300	113.67 x 5.33
<b>40.0</b>	<b>29.3</b>	<b>4.2</b>	<b>PSV200400</b>	<b>28.17 x 3.53</b>	130.0	109.5	8.1	PSV401300	108.00 x 7.00
42.0	31.3	4.2	PSV200420	29.75 x 3.53	135.0	114.5	8.1	PSV401350	113.67 x 7.00
45.0	34.3	4.2	PSV200450	32.92 x 3.53	140.0	119.5	8.1	PSV401400	116.84 x 7.00
48.0	37.3	4.2	PSV200480	36.09 x 3.53	145.0	124.5	8.1	PSV401450	123.19 x 7.00
<b>50.0</b>	<b>39.3</b>	<b>4.2</b>	<b>PSV200500</b>	<b>37.69 x 3.53</b>	150.0	129.5	8.1	PSV401500	126.37 x 7.00
<b>50.0</b>	<b>34.9</b>	<b>6.3</b>	<b>PSV300500</b>	<b>32.69 x 5.33</b>	155.0	139.9	6.3	PSV301550	135.89 x 5.33
52.0	41.3	4.2	PSV200520	40.87 x 3.53	<b>160.0</b>	<b>144.9</b>	<b>6.3</b>	<b>PSV301600</b>	<b>142.24 x 5.33</b>
55.0	44.3	4.2	PSV200550	44.04 x 3.53	<b>160.0</b>	<b>139.5</b>	<b>8.1</b>	<b>PSV401600</b>	<b>135.89 x 7.00</b>
55.0	39.9	6.3	PSV300550	37.47 x 5.33	165.0	149.9	6.3	PSV301650	148.49 x 5.33
60.0	44.9	6.3	PSV300600	43.82 x 5.33	165.0	144.5	8.1	PSV401650	142.24 x 7.00
62.0	51.3	4.2	PSV200620	50.39 x 3.53	170.0	149.5	8.1	PSV401700	145.42 x 7.00
<b>63.0</b>	<b>52.3</b>	<b>4.2</b>	<b>PSV200630</b>	<b>50.39 x 3.53</b>	175.0	159.9	6.3	PSV301750	158.12 x 5.33
<b>63.0</b>	<b>47.9</b>	<b>6.3</b>	<b>PSV300630</b>	<b>46.99 x 5.33</b>	180.0	164.9	6.3	PSV301800	164.47 x 5.33
65.0	49.9	6.3	PSV300650	46.99 x 5.33	180.0	159.5	8.1	PSV401800	158.12 x 7.00
70.0	59.3	4.2	PSV200700	56.74 x 3.53	190.0	174.9	6.3	PSV301900	170.82 x 5.33
70.0	54.9	6.3	PSV300700	53.34 x 5.33	190.0	169.5	8.1	PSV401900	164.47 x 7.00
70.0	49.5	8.1	PSV400700	48.00 x 7.00	195.0	174.5	8.1	PSV401950	170.82 x 7.00
75.0	59.9	6.3	PSV300750	56.52 x 5.33	<b>200.0</b>	<b>184.9</b>	<b>6.3</b>	<b>PSV302000</b>	<b>183.52 x 5.33</b>
<b>80.0</b>	<b>64.9</b>	<b>6.3</b>	<b>PSV300800</b>	<b>62.87 x 5.33</b>	<b>200.0</b>	<b>179.5</b>	<b>8.1</b>	<b>PSV402000</b>	<b>177.17 x 7.00</b>
<b>80.0</b>	<b>59.5</b>	<b>8.1</b>	<b>PSV400800</b>	<b>58.00 x 7.00</b>	205.0	184.5	8.1	PSV402050	183.52 x 7.00
85.0	69.9	6.3	PSV300850	69.22 x 5.33	210.0	189.5	8.1	PSV402100	183.52 x 7.00
85.0	64.5	8.1	PSV400850	63.00 x 7.00	220.0	204.9	6.3	PSV302200	202.57 x 5.33
90.0	74.9	6.3	PSV300900	72.39 x 5.33	220.0	199.5	8.1	PSV402200	196.22 x 7.00
90.0	69.5	8.1	PSV400900	68.00 x 7.00	230.0	209.5	8.1	PSV402300	208.90 x 7.00
95.0	79.9	6.3	PSV300950	78.74 x 5.33	240.0	219.5	8.1	PSV402400	215.27 x 7.00
95.0	74.5	8.1	PSV400950	73.00 x 7.00	<b>250.0</b>	<b>229.5</b>	<b>8.1</b>	<b>PSV402500</b>	<b>227.97 x 7.00</b>
<b>100.0</b>	<b>84.9</b>	<b>6.3</b>	<b>PSV301000</b>	<b>81.92 x 5.33</b>	<b>250.0</b>	<b>226.0</b>	<b>8.1</b>	<b>PSV802500</b>	<b>227.97 x 7.00</b>
<b>100.0</b>	<b>79.5</b>	<b>8.1</b>	<b>PSV401000</b>	<b>78.00 x 7.00</b>	260.0	236.0	8.1	PSV802600	227.97 x 7.00
105.0	89.9	6.3	PSV301050	88.27 x 5.33	270.0	246.0	8.1	PSV802700	240.67 x 7.00
105.0	84.5	8.1	PSV401050	83.00 x 7.00	280.0	256.0	8.1	PSV802800	253.37 x 7.00
106.0	90.9	6.3	PSV301060	88.27 x 5.33	300.0	276.0	8.1	PSV803000	266.07 x 7.00
110.0	94.9	6.3	PSV301100	91.44 x 5.33	306.0	285.5	8.1	PSV403060	278.77 x 7.00
110.0	89.5	8.1	PSV401100	88.00 x 7.00	310.0	286.0	8.1	PSV803100	278.77 x 7.00





Bore Dia.	Groove Dia.	Groove Width	TSS Part No.	O-Ring Dimensions
$D_N$ H9	$d_1$ h9	$L_1$ +0.2		
<b>320.0</b>	<b>299.5</b>	<b>8.1</b>	<b>PSV403200</b>	<b>291.47 x 7.00</b>
<b>320.0</b>	<b>296.0</b>	<b>8.1</b>	<b>PSV803200</b>	<b>291.47 x 7.00</b>
330.0	306.0	8.1	PSV803300	304.17 x 7.00
340.0	316.0	8.1	PSV803400	316.87 x 7.00
345.0	324.5	8.1	PSV403450	316.87 x 7.00
350.0	326.0	8.1	PSV803500	316.87 x 7.00
360.0	336.0	8.1	PSV803600	329.57 x 7.00
370.0	346.0	8.1	PSV803700	342.27 x 7.00
380.0	356.0	8.1	PSV803800	354.97 x 7.00
<b>400.0</b>	<b>376.0</b>	<b>8.1</b>	<b>PSV804000</b>	<b>367.67 x 7.00</b>
420.0	396.0	8.1	PSV804200	393.07 x 7.00
430.0	406.0	8.1	PSV804300	405.26 x 7.00
440.0	416.0	8.1	PSV804400	405.26 x 7.00
450.0	426.0	8.1	PSV804500	417.96 x 7.00
480.0	456.0	8.1	PSV804800	456.06 x 7.00
<b>500.0</b>	<b>476.0</b>	<b>8.1</b>	<b>PSV805000</b>	<b>468.76 x 7.00</b>
520.0	499.5	8.1	PSV405200	494.16 x 7.00
540.0	516.0	8.1	PSV805400	506.86 x 7.00
600.0	576.0	8.1	PSV806000	557.66 x 7.00
650.0	626.0	8.1	PSV806500	608.08 x 7.00

Bore Dia.	Groove Dia.	Groove Width	TSS Part No.	O-Ring Dimensions
$D_N$ H9	$d_1$ h9	$L_1$ +0.2		
700.0	672.7	9.5	PSV507000	670.00 x 8.40
780.0	752.7	9.5	PSV507800	750.00 x 8.40
800.0	772.7	9.5	PSV508000	770.00 x 8.40
820.0	792.7	9.5	PSV508200	790.00 x 8.40
860.0	832.7	9.5	PSV508600	830.00 x 8.40
900.0	872.7	9.5	PSV509000	870.00 x 8.40
920.0	892.7	9.5	PSV509200	890.00 x 8.40
1,000.0	972.7	9.5	PSV5X1000	970.00 x 8.40
1,000.0	962.0	13.8	PSV6X1000	960.00 x 12.00
1,200.0	1,172.7	9.5	PSV5X1200	1,171.00 x 8.40
1,200.0	1,162.0	13.8	PSV6X1200	1,160.00 x 12.00
1,500.0	1,462.0	13.8	PSV6X1500	1,460.00 x 12.00
2,000.0	1,962.0	13.8	PSV6X2000	1,960.00 x 12.00
2,650.0	2,612.0	13.8	PSV6X2650	2,610.00 x 12.00
2,700.0	2,662.0	13.8	PSV6X2700	2,660.00 x 12.00

The bore diameters in **bold** type comply with the recommendations of ISO 3320.

Other dimensions and all intermediate sizes up to 2,700 mm diameter including imperial (inch) sizes can be supplied.

All O-Rings with 12 mm cross section are delivered as special profile ring.

# Turcon® Stepseal® V LM



---

Single-acting

---

Designed for Lubrication Management  
Technology

---

Rubber-energized plastic-faced seal

---

**Material:**

Turcon®, Zurcon® and Elastomer

---



---

! This page is intentionally left blank.



## ■ Turcon® Stepseal® V LM



### ■ Description

Turcon® Stepseal® V LM is a new type of primary seal, conceived and developed to improve system performance and service life of the whole system, including hardware and other seals.

Stepseal® V LM is the first unidirectional seal element to integrate the Lubrication Management principles developed by Trelleborg Sealing Solutions as a standard feature.

Traditionally, unidirectional seals provide sealing by means of sharp, defined sealing edges, which establish high contact pressure with the hardware and suppress fluid film during the forward stroke.

With Lubrication Management, a modified seal edge reduces contact pressure with the hardware and supports the formation of a lubricating fluid film during the forward stroke. This allows fluid to reach secondary seals and scrapers in a controlled way, while back-pumping of fluid ensures lubrication during the return stroke. The efficient, built-in check valve action introduced with Stepseal® V protects secondary seals and scrapers against system pressure and ensures that pressure build-up between the seals is eliminated.

Lower contact pressure and improved lubrication reduce the mechanical and thermal load on seals and on the hardware, resulting in increased service life and system reliability.

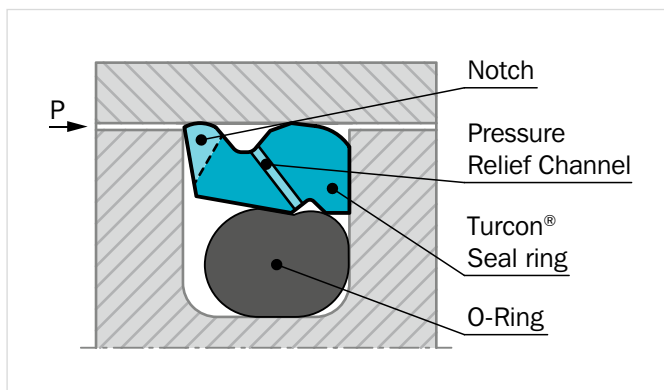


Figure 128: Turcon® Stepseal® V LM

### ADVANTAGES:

- Built-in check valve performance identical to that of Stepseal® V
- No pressure build-up on secondary sealing element and Excluder®
- Independent of in- and out-stroke velocity
- High tolerance to hardware non-concentricity and radial play
- Minimum contribution to friction by secondary sealing element and Excluder®
- Minimum wear of secondary sealing element and Excluder®
- Robust, optimized seal face
- Increased leakage control
- Extended seal life
- Increased operational reliability
- Fits standard Stepseal® 2K groove dimensions as well as ISO 7425 seal housings

### APPLICATION EXAMPLES

- Wind turbine pitch control
- Production presses
- Injection molding clamping cylinders
- Mobile cranes and lifts
- Vehicle suspensions



## CHARACTERISTICS

- Primary seal with hydrostatic pressure release
- Check valve function
- Hydrodynamic back-pumping
- Stabilized position in the groove
- Extended seal life
- Improved system reliability

## IMPROVED FRICTION PERFORMANCE

Turcon® Stepseal® V LM offers uniform low friction for the complete sealing system through improved lubrication of all sealing elements and by preventing pressurization of the secondary seal element.

## FEATURES

Stepseal® V LM combines efficiency with reliability and longevity for the full sealing system and hardware. Controlled support of lubrication and lowered contact pressure reduce friction and wear, while the refined valve function eliminates pressure build-up in seal systems, making drain lines and buffer volumes between the seals a thing of the past.

## OPERATING CONDITIONS

<b>Pressure:</b>	Up to 50 MPa (Turcon® M12) Up to 60 MPa (Turcon® T08 and Zurcon® Z53)
<b>Speed:</b>	Up to 15 m/s with linear movements, frequency up to 15 Hz
<b>Temperature:</b>	-45 °C to +200 °C* depending on seal and O-Ring material
<b>Media:</b>	Mineral oil based hydraulic fluids, flame retardant hydraulic fluids, environmentally friendly fluids (bio-oils), phosphate ester, water and others, depending on the seal and O-Ring material. See Table 113.
<b>Clearance:</b>	The maximum permissible radial clearance $S_{max}$ is shown in Table 114, as a function of the operating pressure and functional diameter.

### IMPORTANT NOTE

The above data are maximum values and cannot be used at the same time, e.g. the maximum operating speed depends on material type, pressure, temperature and gap value. Temperature range also depends on media.

\* In the case of unpressurized applications in temperatures below 0 °C please contact your local Customer Solution Center for more information.

## SERIES

Different cross section sizes are recommended as a function of the seal diameters.

Table 112 shows the relationship between the series number according to the seal diameter range and the different application class sizes:

Standard application:	General applications without exceptional operating conditions.
Light application:	Applications with demands for reduced friction or for smaller grooves.
Heavy-duty application:	For exceptional operating loads such as high pressures, pressure peaks, large clearances, etc.

**Table 112: Available Range**

Series No.	Rod Diameter $d_N$ f8/h9
PSL20	15.0 - 200.0
PSL30	27.0 – 256.0
PSL40	60.0 – 670.0
PSL80	133.0 - 999.9
PSL50	250.0 - 999.9
PSL5X	1,000.0 - 1,200.0
PSL60	670.0 - 999.9
PSL6X	1,000.0 - 2,700.0

### SEALING SYSTEM

Stepseal® V LM is developed for use with a secondary sealing element. Figure 129 shows such a tandem configuration with Stepseal® V LM.

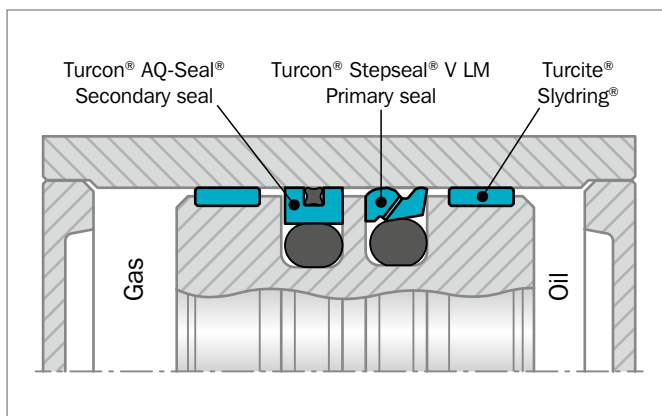


Figure 129: Turcon® Stepseal® V LM and Turcon® AQ-Seal® in tandem configuration

The integrated check valve function of Stepseal® V LM ensures that pressure cannot be trapped between the primary and secondary seals, and no extra space between them is required to accumulate hydraulic fluid.

Depending on the application and the operating conditions, the combination of different materials offers a further improvement in the sealing efficiency and the service life of the system. For example in hydraulic cylinders subject to high loads and under rough operating conditions, the primary seal should be made of Turcon® and the secondary seal of Zurcon®.

### INSTALLATION INSTRUCTIONS

Stepseal® V LM is installed according to information on page 247 to page 249.

Closed groove installation according to dimensions in Table 80 page 249.

### RECOMMENDED MATERIALS

The following material combinations have proven effective for hydraulic applications:

#### Turcon® Stepseal® V LM in Turcon® M12

All round material for light to heavy hydraulic applications with linear, short stroke or helical movements in mineral oils, flame retardant hydraulic fluids, phosphate ester, bio-oils or fluids having low lubricating properties:

O-Ring: NBR 70 Shore A N  
FKM 70 Shore A V

Set code: M12N or M12V

#### Turcon® Stepseal® V LM in Turcon® T46

For medium to heavy applications with linear movements in mineral oils and other media with good lubrication:

O-Ring: NBR 70 Shore A N  
FKM 70 Shore A V

Set code: T46N or T46V

For specific applications, all Turcon® materials are available.

Other material combinations are listed in Table 113.



**Table 113: Turcon® and Zurcon® Materials for Stepseal® V LM**

Material, Applications, Properties	Code	O-Ring Material Shore A	Code	O-Ring Operating Temp. * °C	Mating Surface Material	MPa max. Dynamic
<b>Turcon® M12</b> First material choice for seals in linear motion Overall improved properties For new constructions and updating For all commonly applied hydraulic fluids including fluids with low lubrication performance Lowest friction and best sliding properties Lowest wear on seals Improved absorption of abrasive contaminants Low wear or abrasion of counter surface BAM tested Mineral fiber and Additives filled Color: Dark gray	M12	NBR 70	N	-30 to +100	Steel	50
		NBR 70 Low temp.	T	-45 to +80	Steel hardened Cast iron	
		FKM 70	V	-10 to +200	Stainless steel Titanium	
<b>Turcon® T05</b> For lubricating fluids Also for gas service Very low friction Very good sliding and sealing properties Color: Turquoise	T05	NBR 70	N	-30 to +100	Steel	20
		NBR 70 Low temp.	T	-45 to +80	Steel hardened	
		FKM 70	V	-10 to +200		
<b>Turcon® T08</b> For lubricating fluids and linear motion Very high compressive strength and extrusion resistance Hard counter surfaces is recommended Bronze filled Color: Light to dark brown, which may have variations in shading	T08	NBR 70	N	-30 to +100	Steel hardened	60
		NBR 70 Low temp.	T	-45 to +80	Cast iron	
		FKM 70	V	-10 to +200		
<b>Turcon® T10</b> For hydraulic and pneumatic For linear motion in lubricating and non-lubricating fluids High extrusion resistance Good chemical resistance Not for electrically conducting fluids BAM tested Carbon, graphite filled Color: Black	T10	NBR 70	N	-30 to +100	Steel	40
		NBR 70 Low temp.	T	-45 to +80	Steel hardened Stainless steel	
		FKM 70	V	-10 to +200		
		EPDM 70	E**	-45 to +145		
<b>Turcon® T29</b> For lubricating and non-lubricating fluids Good extrusion resistance Surface texture is not suitable for gas sealing Not for electrically conducting fluids Carbon fiber filled Color: Gray	T29	NBR 70	N	-30 to +100	Steel	30
		NBR 70 Low temp.	T	-45 to +80	Steel hardened Cast iron	
		FKM 70	V	-10 to +200	Stainless steel	
		EPDM 70	E**	-45 to +145		



Material, Applications, Properties	Code	O-Ring Material Shore A	Code	O-Ring Operating Temp. * °C	Mating Surface Material	MPa max. Dynamic
<b>Turcon® T40</b> For lubricating and non-lubricating fluids High frequency and short strokes Water hydraulics Surface texture is not suitable for gas sealing Carbon fiber filled Color: Gray	T40	NBR 70	N	-30 to +100	Steel	25
		NBR 70 Low temp.	T	-45 to +80	Steel hardened Cast iron	
		FKM 70	V	-10 to +200	Stainless steel Aluminum	
		EPDM 70	E**	-45 to +145		
<b>Turcon® T46</b> For lubricated hydraulics in linear motion High compressive strength High extrusion resistance Very good sliding and wear properties BAM tested Bronze filled Color: Light to dark brown, which may have variations in shading	T46	NBR 70	N	-30 to +100	Steel hardened	50
		NBR 70 Low temp.	T	-45 to +80	Cast iron	
		FKM 70	V	-10 to +200		
<b>Zurcon® Z53***</b> For mineral oil based fluids Very high abrasion and extrusion resistance For counter surface with rougher surface finish Limited chemical resistance Max. working temperature 110 °C Cast polyurethane Color: Yellow to light-brown	Z53	NBR 70	N	-30 to +100	Steel	60
		NBR 70 Low temp.	T	-45 to +80	Steel hardened Steel chrome plated (rod) Cast iron Stainless steel Ceramic coating	
<b>Zurcon® Z80</b> For lubricating and non-lubricating fluids Water based fluids, air and gases Dry air pneumatics High abrasion and extrusion resistance For service in abrasive conditions and media with particles Good chemical resistance Limited temperature capability (-60 to +80 °C) UHMWPE (Ultra High Molecular Weight Polyethylene) Color: White to off-white	Z80	NBR 70	N	-30 to (+100)	Steel	35
		NBR 70 Low temp.	T	-45 to +80	Steel hardened Stainless steel Aluminum	
		EPDM 70	E**	-45 to (+145)	Ceramic coating	

\* The O-Ring Operation Temperature is only valid in mineral hydraulic oil (except EPDM).

\*\* Material not suitable for mineral oils.

\*\* Max. diameter 2,300 mm

BAM: Tested by "Bundesanstalt Materialprüfung, Germany".

  Highlighted materials are recommended.





## Installation Recommendation

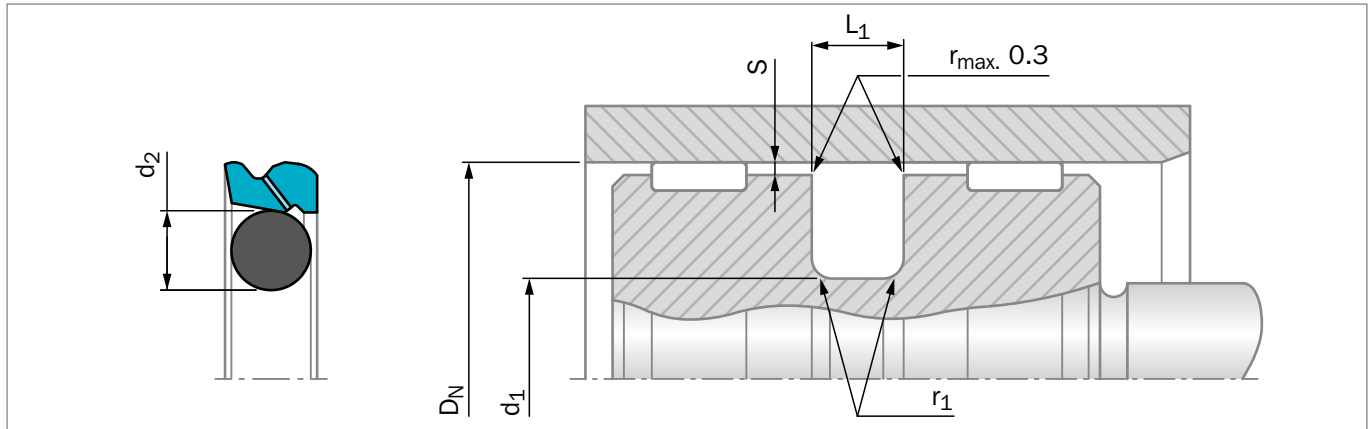


Figure 130: Installation Drawing

**Table 114: Installation Dimensions – Standard Recommendations**

Series No.	Rod Diameter $D_N$ H9			Groove Diameter $d_1$ h9	Groove Width $L_1 + 0.2$	Radius $r_1$ max	Radial Clearance $S_{max}^*$			O-Ring Cross Section $d_2$
	Standard Application	Light Application	Heavy Duty Application				10 MPa	20 MPa	40 MPa	
PSL20	25 - 59.9	60 - 199.9	15 - 24.9	$D_N - 10.7$	4.2	1.0	0.50	0.30	0.20	3.53
PSL30	60 - 199.9	200 - 255.9	25 - 59.9	$D_N - 15.1$	6.3	1.3	0.70	0.40	0.25	5.33
PSL40	200 - 255.9	256 - 669.9	60 - 199.9	$D_N - 20.5$	8.1	1.8	0.80	0.60	0.35	7.00
PSL80	256 - 669.9	670 - 999.9	200 - 255.9	$D_N - 24.0$	8.1	1.8	0.90	0.70	0.40	7.00
PSL50	670 - 999.9	-	256 - 669.9	$D_N - 27.3$	9.5	2.5	1.00	0.80	0.50	8.40
PSL5X	-	1,000 - 1,200	-	$D_N - 27.3$	9.5	2.5	1.00	0.80	0.50	8.40
PSL60**	-	-	670 - 999.9	$D_N - 38.0$	13.8	3.0	1.20	0.90	0.60	12.00
PSL6X**	1,000 - 2,700	-	-	$D_N - 38.0$	13.8	3.0	1.20	0.90	0.60	12.00

\* At pressures > 40 MPa use diameter tolerance H8/f8 (bore/rod) in the area behind seal or consult your local Customer Solution Center for alternative material or profiles.

Slydring® / Wear Rings are not applicable at very small radial clearances S, please consult the Slydring® section in this catalog.

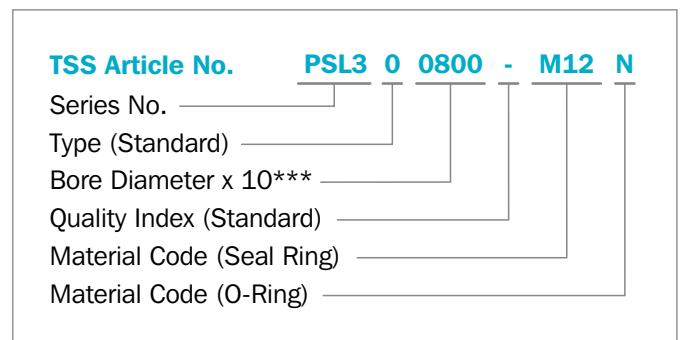
\*\* All O-Rings with 12 mm cross section are delivered as special profile ring.

### ORDERING EXAMPLE

Turcon® Stepseal® V LM complete with O-Ring, standard application:

<b>Series:</b>	PSL3 from Table 114
<b>Bore Diameter:</b>	$D_N = 80.0$ mm
<b>TSS Part No.:</b>	PSL300800 from Table 115

Select the material from Table 113. The corresponding code numbers are appended to the TSS Part No. Together these form the TSS Article Number. The TSS Article Number for all intermediate sizes can be determined by following the example:



\*\*\* For diameters  $D_N \geq 1,000.0$  mm multiply only by factor 1.

Example:      PSL6 for diameter  $D_N = 1,200.0$  mm  
TSS Article No.:      PSL6X1200 - M12N



Table 115: Installation Dimensions / TSS Part No.

Bore Dia.	Groove Dia.	Groove Width	TSS Part No.	O-Ring Dimensions	Bore Dia.	Groove Dia.	Groove Width	TSS Part No.	O-Ring Dimensions
D <sub>N</sub> H9	d <sub>1</sub> h9	L <sub>1</sub> +0.2			D <sub>N</sub> H9	d <sub>1</sub> h9	L <sub>1</sub> +0.2		
15.0	4.3	4.2	PSL200150	3.47 x 3.53	115.0	99.9	6.3	PSL301150	97.79 x 5.33
<b>20.0</b>	<b>9.3</b>	<b>4.2</b>	<b>PSL200200</b>	<b>8.47 x 3.53</b>	115.0	94.5	8.1	PSL401150	93 x 7.00
<b>25.0</b>	<b>14.3</b>	<b>4.2</b>	<b>PSL200250</b>	<b>13.87 x 3.53</b>	120.0	104.9	6.3	PSL301200	104.14 x 5.33
28.0	17.3	4.2	PSL200280	15.47 x 3.53	120.0	99.5	8.1	PSL401200	98 x 7.00
30.0	19.3	4.2	PSL200300	18.66 x 3.53	<b>125.0</b>	<b>109.9</b>	<b>6.3</b>	<b>PSL301250</b>	<b>107.32 x 5.33</b>
<b>32.0</b>	<b>21.3</b>	<b>4.2</b>	<b>PSL200320</b>	<b>20.22 x 3.53</b>	<b>125.0</b>	<b>104.5</b>	<b>8.1</b>	<b>PSL401250</b>	<b>103 x 7.00</b>
35.0	24.3	4.2	PSL200350	23.40 x 3.53	130.0	114.9	6.3	PSL301300	113.67 x 5.33
<b>40.0</b>	<b>29.3</b>	<b>4.2</b>	<b>PSL200400</b>	<b>28.17 x 3.53</b>	130.0	109.5	8.1	PSL401300	108 x 7.00
42.0	31.3	4.2	PSL200420	29.75 x 3.53	135.0	114.5	8.1	PSL401350	113.67 x 7.00
45.0	34.3	4.2	PSL200450	32.92 x 3.53	140.0	119.5	8.1	PSL401400	116.84 x 7.00
48.0	37.3	4.2	PSL200480	36.09 x 3.53	145.0	124.5	8.1	PSL401450	123.19 x 7.00
<b>50.0</b>	<b>39.3</b>	<b>4.2</b>	<b>PSL200500</b>	<b>37.69 x 3.53</b>	150.0	129.5	8.1	PSL401500	126.37 x 7.00
<b>50.0</b>	<b>34.9</b>	<b>6.3</b>	<b>PSL300500</b>	<b>32.69 x 5.33</b>	155.0	139.9	6.3	PSL301550	135.89 x 5.33
52.0	41.3	4.2	PSL200520	40.87 x 3.53	<b>160.0</b>	<b>144.9</b>	<b>6.3</b>	<b>PSL301600</b>	<b>142.24 x 5.33</b>
55.0	44.3	4.2	PSL200550	44.04 x 3.53	<b>160.0</b>	<b>139.5</b>	<b>8.1</b>	<b>PSL401600</b>	<b>135.89 x 7.00</b>
55.0	39.9	6.3	PSL300550	37.47 x 5.33	165.0	149.9	6.3	PSL301650	148.49 x 5.33
60.0	44.9	6.3	PSL300600	43.82 x 5.33	165.0	144.5	8.1	PSL401650	142.24 x 7.00
62.0	51.3	4.2	PSL200620	50.39 x 3.53	170.0	149.5	8.1	PSL401700	145.42 x 7.00
<b>63.0</b>	<b>52.3</b>	<b>4.2</b>	<b>PSL200630</b>	<b>50.39 x 3.53</b>	175.0	159.9	6.3	PSL301750	158.12 x 5.33
<b>63.0</b>	<b>47.9</b>	<b>6.3</b>	<b>PSL300630</b>	<b>46.99 x 5.33</b>	180.0	164.9	6.3	PSL301800	164.47 x 5.33
65.0	49.9	6.3	PSL300650	46.99 x 5.33	180.0	159.5	8.1	PSL401800	158.12 x 7.00
70.0	59.3	4.2	PSL200700	56.74 x 3.53	190.0	174.9	6.3	PSL301900	170.82 x 5.33
70.0	54.9	6.3	PSL300700	53.34 x 5.33	190.0	169.5	8.1	PSL401900	164.47 x 7.00
70.0	49.5	8.1	PSL400700	48 x 7.00	195.0	174.5	8.1	PSL401950	170.82 x 7.00
75.0	59.9	6.3	PSL300750	56.52 x 5.33	<b>200.0</b>	<b>184.9</b>	<b>6.3</b>	<b>PSL302000</b>	<b>183.52 x 5.33</b>
<b>80.0</b>	<b>64.9</b>	<b>6.3</b>	<b>PSL300800</b>	<b>62.87 x 5.33</b>	<b>200.0</b>	<b>179.5</b>	<b>8.1</b>	<b>PSL402000</b>	<b>177.17 x 7.00</b>
<b>80.0</b>	<b>59.5</b>	<b>8.1</b>	<b>PSL400800</b>	<b>58 x 7.00</b>	205.0	184.5	8.1	PSL402050	183.52 x 7.00
85.0	69.9	6.3	PSL300850	69.22 x 5.33	210.0	189.5	8.1	PSL402100	183.52 x 7.00
85.0	64.5	8.1	PSL400850	63 x 7.00	220.0	204.9	6.3	PSL302200	202.57 x 5.33
90.0	74.9	6.3	PSL300900	72.39 x 5.33	220.0	199.5	8.1	PSL402200	196.22 x 7.00
90.0	69.5	8.1	PSL400900	68 x 7.00	230.0	209.5	8.1	PSL402300	208.90 x 7.00
95.0	79.9	6.3	PSL300950	78.74 x 5.33	240.0	219.5	8.1	PSL402400	215.27 x 7.00
95.0	74.5	8.1	PSL400950	73 x 7.00	<b>250.0</b>	<b>229.5</b>	<b>8.1</b>	<b>PSL402500</b>	<b>227.97 x 7.00</b>
<b>100.0</b>	<b>84.9</b>	<b>6.3</b>	<b>PSL301000</b>	<b>81.92 x 5.33</b>	<b>250.0</b>	<b>226.0</b>	<b>8.1</b>	<b>PSL802500</b>	<b>227.97 x 7.00</b>
<b>100.0</b>	<b>79.5</b>	<b>8.1</b>	<b>PSL401000</b>	<b>78 x 7.00</b>	260.0	236.0	8.1	PSL802600	227.97 x 7.00
105.0	89.9	6.3	PSL301050	88.27 x 5.33	270.0	246.0	8.1	PSL802700	240.67 x 7.00
105.0	84.5	8.1	PSL401050	83 x 7.00	280.0	256.0	8.1	PSL802800	253.37 x 7.00
106.0	90.9	6.3	PSL301060	88.27 x 5.33	300.0	276.0	8.1	PSL803000	266.07 x 7.00
110.0	94.9	6.3	PSL301100	91.44 x 5.33	306.0	285.5	8.1	PSL403060	278.77 x 7.00
110.0	89.5	8.1	PSL401100	88 x 7.00	310.0	286.0	8.1	PSL803100	278.77 x 7.00



Bore Dia.	Groove Dia.	Groove Width	TSS Part No.	O-Ring Dimensions
$D_N$ H9	$d_1$ h9	$L_1$ +0.2		
<b>320.0</b>	<b>299.5</b>	<b>8.1</b>	<b>PSL403200</b>	<b>291.47 x 7.00</b>
<b>320.0</b>	<b>296.0</b>	<b>8.1</b>	<b>PSL803200</b>	<b>291.47 x 7.00</b>
330.0	306.0	8.1	PSL803300	304.17 x 7.00
340.0	316.0	8.1	PSL803400	316.87 x 7.00
345.0	324.5	8.1	PSL403450	316.87 x 7.00
350.0	326.0	8.1	PSL803500	316.87 x 7.00
360.0	336.0	8.1	PSL803600	329.57 x 7.00
370.0	346.0	8.1	PSL803700	342.27 x 7.00
380.0	356.0	8.1	PSL803800	354.97 x 7.00
<b>400.0</b>	<b>376.0</b>	<b>8.1</b>	<b>PSL804000</b>	<b>367.67 x 7.00</b>
420.0	396.0	8.1	PSL804200	393.07 x 7.00
430.0	406.0	8.1	PSL804300	405.26 x 7.00
440.0	416.0	8.1	PSL804400	405.26 x 7.00
450.0	426.0	8.1	PSL804500	417.96 x 7.00
480.0	456.0	8.1	PSL804800	456.06 x 7.00
<b>500.0</b>	<b>476.0</b>	<b>8.1</b>	<b>PSL805000</b>	<b>468.76 x 7.00</b>
520.0	499.5	8.1	PSL405200	494.16 x 7.00
540.0	516.0	8.1	PSL805400	506.86 x 7.00
600.0	576.0	8.1	PSL806000	557.66 x 7.00
650.0	626.0	8.1	PSL806500	608.08 x 7.00

Bore Dia.	Groove Dia.	Groove Width	TSS Part No.	O-Ring Dimensions
$D_N$ H9	$d_1$ h9	$L_1$ +0.2		
700.0	672.7	9.5	PSL507000	670 x 8.40
780.0	752.7	9.5	PSL507800	750 x 8.40
800.0	772.7	9.5	PSL508000	770 x 8.40
820.0	792.7	9.5	PSL508200	790 x 8.40
860.0	832.7	9.5	PSL508600	830 x 8.40
900.0	872.7	9.5	PSL509000	870 x 8.40
920.0	892.7	9.5	PSL509200	890 x 8.40
1,000.0	972.7	9.5	PSL5X1000	970 x 8.40
1,000.0	962.0	13.8	PSL6X1000	960 x 12.00
1,200.0	1,172.7	9.5	PSL5X1200	1,171 x 8.40
1,200.0	1,162.0	13.8	PSL6X1200	1,160 x 12.00
1,500.0	1,462.0	13.8	PSL6X1500	1,460 x 12.00
2,000.0	1,962.0	13.8	PSL6X2000	1,960 x 12.00
2,650.0	2,612.0	13.8	PSL6X2650	2,610 x 12.00
2,700.0	2,662.0	13.8	PSL6X2700	2,660 x 12.00

The bore diameters in **bold** type comply with the recommendations of ISO 3320.

Other dimensions and all intermediate sizes up to 2,700 mm diameter including imperial (inch) sizes can be supplied.

All O-Rings with 12 mm cross section are delivered as special profile ring.

# Turcon® Double Delta®



---

Double-acting

---

Rubber-energized plastic-faced seal

---

For O-Ring Grooves

---

**Material:**

Turcon®, Zurcon® and Elastomer

---



---

! This page is intentionally left blank.



## Turcon® Double Delta®



### Description

Turcon® Double Delta® is a rubber energized plastic faced seal, designed to expand and significantly improve the service parameters of O-Rings. Double Delta® can be installed in existing O-Ring grooves.

Double Delta® combines the flexibility and responsiveness of O-Rings with the wear and friction characteristics of the Turcon® materials in dynamic applications.

The double-acting performance of the seal follows from the symmetrical cross section which allows the seal to respond to pressure in both directions - Figure 131.

Initial contact pressure is provided by radial compression of the O-Ring. When the system pressure is increased the O-Ring transforms this into additional contact pressure, the contact pressure of the seal is thereby automatically adjusted so sealing is ensured under all service conditions.

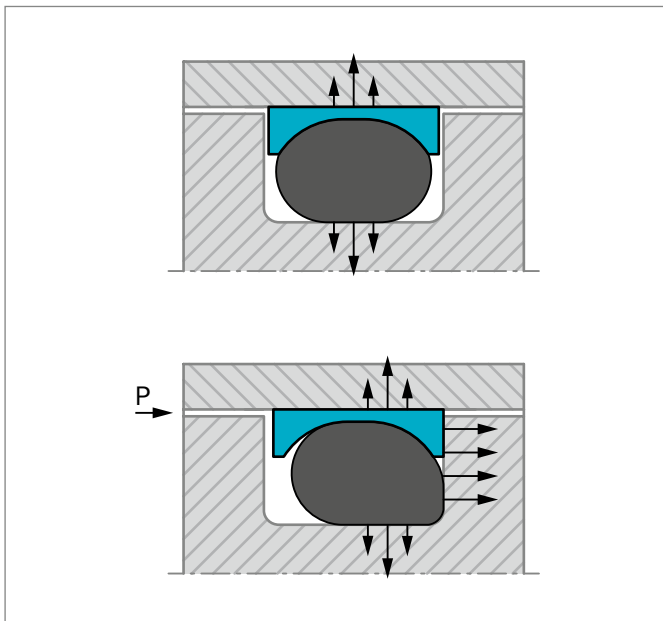


Figure 131: Turcon® Double Delta® without and with pressure

### ADVANTAGES

- Compact groove dimensions and simple installation
- Low friction without stick-slip
- Resistance against wear and extrusion
- Piston seals available for all diameters from 5 to 999.9 mm

- Standard cross section cover AS 568A and important metric O-Rings, other cross sections available on request.
- Fits also groove dimensions per ISO 6194 and AS 4716

### APPLICATION EXAMPLES

Turcon® Double Delta® is used as double acting piston seal for hydraulic and pneumatic cylinders in applications such as:

- Machine tools
- Handling devices
- Valves
- Chemical process equipment

It is particular recommended for light duty and small diameter applications.

### OPERATING CONDITIONS

<b>Pressure:</b>	Up to 35 MPa
<b>Velocity:</b>	Up to 15 m/s
<b>Temperature:</b>	-45 °C to +200 °C* (according to O-Ring material)
<b>Media:</b>	Mineral oil-based hydraulic fluids, flame retardant hydraulic fluids, environmentally friendly hydraulic fluids (bio-oils), phosphate ester, water and others, depending on temperature, seal and O-Ring material compatibility see Table 116
<b>Clearance:</b>	The maximum permissible radial clearance $S_{max}$ is shown in Table 117, as a function of the operating pressure and functional diameter

### IMPORTANT NOTE

The above data are maximum values and cannot be used at the same time, e.g. the maximum operating speed depends on material type, pressure, temperature and gap value. Temperature range also depends on media.

\* In the case of unpressurized piston applications in temperatures below 0 °C please contact your local Customer Solution Center for more information!



## NOTCH

Turcon® Double Delta® is as standard supplied without radial notches, as the thin radial section of the seal gives good response to pressure variations.

For diameters from 8 mm notches on both sides are optional. These ensure direct pressurizing of the seal under all operating conditions.

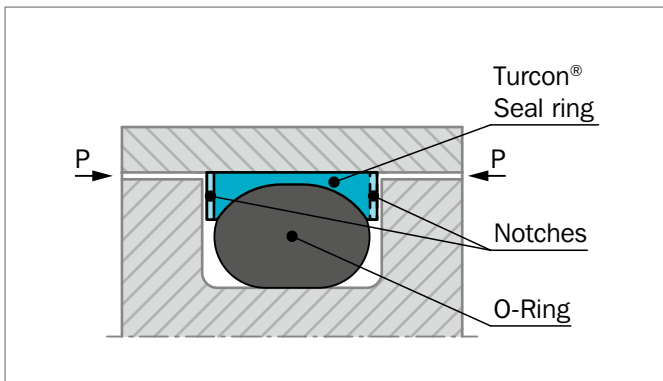


Figure 132: Turcon® Double Delta® with notches

## INSTALLATION INSTRUCTIONS

Double Delta® is installed according to information on page 247 to 249.

## RECOMMENDED MATERIALS

The following material combinations have proven effective for hydraulic applications:

### Turcon® Double Delta® in Turcon® M12

All round material for light to medium hydraulic applications with linear or helical movements in mineral oils, flame retardant hydraulic fluids, phosphate ester, bio-oils or fluids having low lubricating properties:

O-Ring:	NBR 70 Shore A	N
	FKM 70 Shore A	V
	EPDM 70 Shore A	E

Set code: M12N, M12V or M12E

### Turcon® Double Delta® in Turcon® T46

For medium to heavy applications with linear movements in mineral oils and other media with good lubrication:

O-Ring:	NBR 70 Shore A	N
	FKM 70 Shore A	V

Set code: T46N or T46V

For specific applications, all Turcon® materials are available. Other material combinations are listed in Table 116.

**Table 116: Turcon® and Zurcon® Materials for Double Delta®**

Material, Applications, Properties	Code	O-Ring Material Shore A	Code	O-Ring Operating Temp.* °C	Mating Surface Material	MPa max. Dynamic
<b>Turcon® M12</b> First material choice for seals in linear motion Overall improved properties For new constructions and updating For all commonly applied hydraulic fluids including fluids with low lubrication performance Lowest friction and best sliding properties Lowest wear on seals Improved absorption of abrasive contaminants Low wear or abrasion of counter surface BAM tested Mineral fiber and Additives filled Color: Dark gray	M12	NBR 70	N	-30 to +100	Steel	35
		NBR 70 Low temp.	T	-45 to +80	Steel hardened Cast iron	
		FKM 70	V	-10 to +20	Stainless steel Titanium	
<b>Turcon® T05</b> For lubricating fluids Also for gas service Very low friction Very good sliding and sealing properties Color: Turquoise	T05	NBR 70	N	-30 to +100	Steel	20
		NBR 70 Low temp.	T	-45 to +80	Steel hardened	
		FKM 70	V	-10 to +200		
<b>Turcon® T24</b> For lubricating and non-lubricating hydraulic fluids Good sealing function Moderate extrusion resistance Carbon filled Color: Black	T24	NBR 70	N	-30 to +100	Steel	20
		NBR 70 Low temp.	T	-45 to +80	Steel hardened Cast iron	
		FKM 70	V	-10 to +200	Stainless steel	
		EPDM 70	E**	-45 to +145	Aluminum	
<b>Turcon® T46</b> For lubricated hydraulics in linear motion High compressive strength High extrusion resistance Very good sliding and wear properties BAM tested Bronze filled Color: Light to dark brown, which may have variations in shading	T46	NBR 70	N	-30 to +100	Steel hardened	35
		NBR 70 Low temp.	T	-45 to +80	Cast iron	
		FKM 70	V	-10 to +200		
<b>Zurcon® Z80</b> For lubricating and non-lubricating fluids Water based fluids, air and gases Dry air pneumatics High abrasion and extrusion resistance For service in abrasive conditions and media with particles Good chemical resistance Limited temperature capability (-60 to +80 °C) UHMWPE (Ultra High Molecular Weight PE) Color: White to off-white	Z80	NBR 70	N	-30 to (+100)	Steel	30
		NBR 70 Low temp.	T	-45 to +80	Steel hardened Stainless steel	
		EPDM 70	E**	-10 to (+145)	Aluminum Ceramic coating	

\* The O-Ring Operation Temperature is only valid in mineral hydraulic oil (except EPDM).

\*\* Material not suitable for mineral oils.

BAM: Tested by "Bundesanstalt Materialprüfung, Germany".

  Highlighted materials are recommended.





## Installation Recommendation

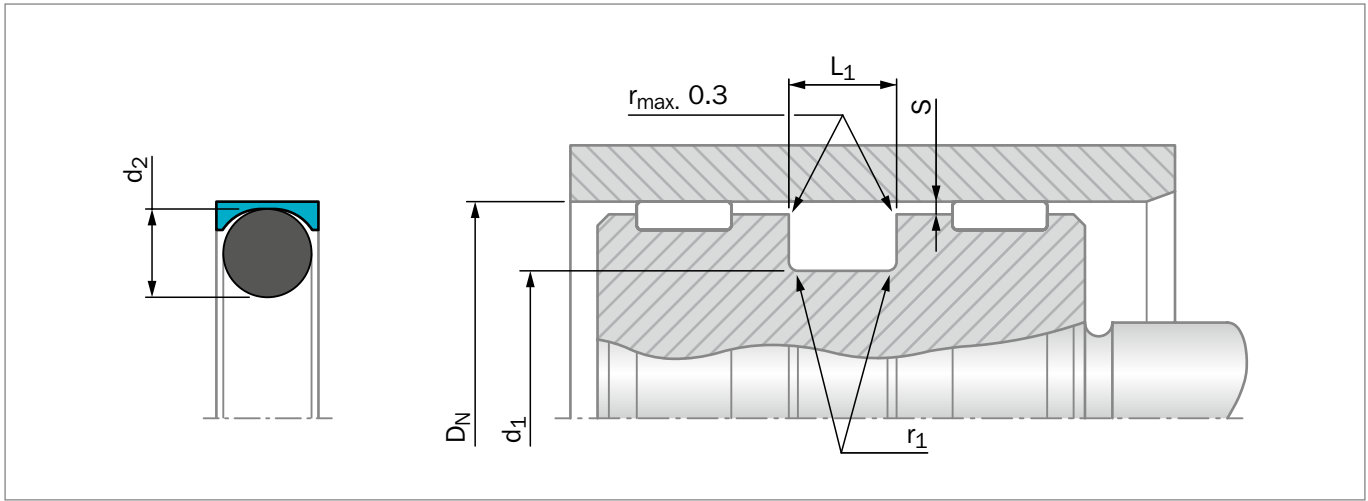


Figure 133: Installation Drawing

**Table 117: Installation Dimensions**

Series No.	Bore Diameter $D_N$ H9		Groove Diameter $d_1$ h9	Groove Width $L_1$ +0.2	Radius $r_1$ max	Radial Clearance $S_{max}^*$				O-Ring Cross Section $d_2$
	Standard Application	Available Range				2 MPa	10 MPa	20 MPa	35 MPa	
PDD0	5 - 13.9	5 - 139.9	$D_N - 2.9$	2.4	0.4	0.10	0.10	0.08	0.05	1.78
PDD1	14 - 24.9	8 - 259.9	$D_N - 4.5$	3.6	0.4	0.15	0.15	0.10	0.07	2.62
PDD2	25 - 45.9	12 - 469.9	$D_N - 6.2$	4.8	0.6	0.25	0.20	0.15	0.08	3.53
PDD3	46 - 124.9	20 - 669.9	$D_N - 9.4$	7.1	0.8	0.35	0.25	0.20	0.10	5.33
PDD4	125 - 669.9	80 - 999.9	$D_N - 12.2$	9.5	0.8	0.50	0.30	0.25	0.15	7.00
PDD5	670 - 999.9	125 - 999.9	$D_N - 15.0$	10.0	1.0	0.60	0.40	0.30	0.20	8.40

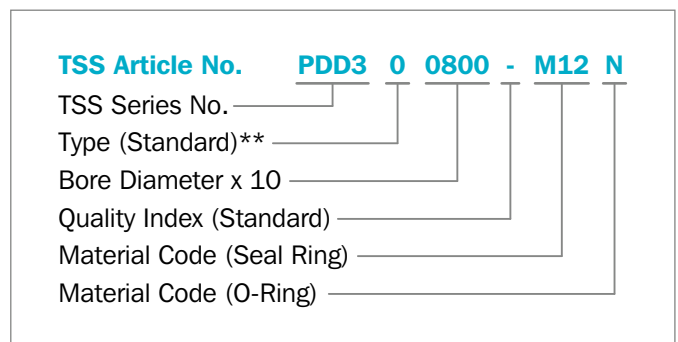
\* Slydring® / Wear Rings are not applicable at very small radial clearances please consult the Slydring® section in this catalog.

### ORDERING EXAMPLE

Double Delta® complete with O-Ring, standard application:

<b>Series:</b>	PDD3 from Table 117
<b>Bore Diameter:</b>	$D_N = 80.0$ mm
<b>TSS Part No.:</b>	PDD300800 from Table 118

Select the material from Table 116. The corresponding code numbers are appended to the Part No. Together these form the TSS Article Number. The TSS Article Number for all intermediate sizes can be determined by following the example:



\*\* "N" for seals with notches. Available for diameters  $D_N \geq 8.0$  mm.

For seals for other groove widths/dimensions please refer to Table 119 and Table 120



Table 118: Installation Dimensions / TSS Part No.

Bore Dia.	Groove Dia.	Groove Width	TSS Part No.	O-Ring Dimensions	Bore Dia.	Groove Dia.	Groove Width	TSS Part No.	O-Ring Dimensions
D <sub>N</sub> H9	d <sub>1</sub> h9	L <sub>1</sub> +0.2			D <sub>N</sub> H9	d <sub>1</sub> h9	L <sub>1</sub> +0.2		
6.0	3.1	2.4	PDD000060	2.57 x 1.78	110.0	100.6	7.1	PDD301100	97.79 x 5.33
<b>8.0</b>	<b>5.1</b>	<b>2.4</b>	<b>PDD000080</b>	<b>4.47 x 1.78</b>	115.0	105.6	7.1	PDD301150	104.14 x 5.33
9.0	6.1	2.4	PDD000090	5.60 x 1.80	120.0	110.6	7.1	PDD301200	107.32 x 5.33
<b>10.0</b>	<b>7.1</b>	<b>2.4</b>	<b>PDD000100</b>	<b>6.70 x 1.80</b>	<b>125.0</b>	<b>112.8</b>	<b>9.5</b>	<b>PDD401250</b>	<b>113.67 x 7.00</b>
11.0	8.1	2.4	PDD000110	7.65 x 1.78	130.0	117.8	9.5	PDD401300	116.84 x 7.00
<b>12.0</b>	<b>9.1</b>	<b>2.4</b>	<b>PDD000120</b>	<b>8.75 x 1.80</b>	135.0	122.8	9.5	PDD401350	120.02 x 7.00
12.7	9.8	2.4	PDD000127	9.25 x 1.78	140.0	127.8	9.5	PDD401400	126.37 x 7.00
14.0	9.5	3.6	PDD100140	9.19 x 2.62	150.0	137.8	9.5	PDD401500	135.89 x 7.00
15.0	10.5	3.6	PDD100150	9.19 x 2.62	<b>160.0</b>	<b>147.8</b>	<b>9.5</b>	<b>PDD401600</b>	<b>145.42 x 7.00</b>
<b>16.0</b>	<b>11.5</b>	<b>3.6</b>	<b>PDD100160</b>	<b>10.77 x 2.62</b>	170.0	157.8	9.5	PDD401700	151.77 x 7.00
18.0	13.5	3.6	PDD100180	12.37 x 2.62	180.0	167.8	9.5	PDD401800	164.47 x 7.00
<b>20.0</b>	<b>15.5</b>	<b>3.6</b>	<b>PDD100200</b>	<b>14.50 x 2.65</b>	190.0	177.8	9.5	PDD401900	177.17 x 7.00
22.0	17.5	3.6	PDD100220	17.12 x 2.62	<b>200.0</b>	<b>187.8</b>	<b>9.5</b>	<b>PDD402000</b>	<b>183.52 x 7.00</b>
24.0	19.5	3.6	PDD100240	18.72 x 2.62	210.0	197.8	9.5	PDD402100	196.22 x 7.00
<b>25.0</b>	<b>18.8</b>	<b>4.8</b>	<b>PDD200250</b>	<b>17.04 x 3.53</b>	220.0	207.8	9.5	PDD402200	202.57 x 7.00
25.4	19.2	4.8	PDD200254	18.66 x 3.53	230.0	217.8	9.5	PDD402300	215.27 x 7.00
27.0	20.8	4.8	PDD200270	20.22 x 3.53	240.0	227.8	9.5	PDD402400	227.97 x 7.00
28.0	21.8	4.8	PDD200280	20.22 x 3.53	<b>250.0</b>	<b>237.8</b>	<b>9.5</b>	<b>PDD402500</b>	<b>227.97 x 7.00</b>
30.0	23.8	4.8	PDD200300	23.40 x 3.53	280.0	267.8	9.5	PDD402800	266.07 x 7.00
<b>32.0</b>	<b>25.8</b>	<b>4.8</b>	<b>PDD200320</b>	<b>25.00 x 3.53</b>	300.0	287.8	9.5	PDD403000	278.77 x 7.00
35.0	28.8	4.8	PDD200350	28.17 x 3.53	<b>320.0</b>	<b>307.8</b>	<b>9.5</b>	<b>PDD403200</b>	<b>304.17 x 7.00</b>
<b>40.0</b>	<b>33.8</b>	<b>4.8</b>	<b>PDD200400</b>	<b>32.92 x 3.53</b>	350.0	337.8	9.5	PDD403500	329.57 x 7.00
42.0	35.8	4.8	PDD200420	34.52 x 3.53	<b>400.0</b>	<b>387.8</b>	<b>9.5</b>	<b>PDD404000</b>	<b>380.37 x 7.00</b>
45.0	38.8	4.8	PDD200450	37.69 x 3.53	420.0	407.8	9.5	PDD404200	405.26 x 7.00
48.0	38.6	7.1	PDD300480	37.47 x 5.33	450.0	437.8	9.5	PDD404500	430.66 x 7.00
<b>50.0</b>	<b>40.6</b>	<b>7.1</b>	<b>PDD300500</b>	<b>37.47 x 5.33</b>	480.0	467.8	9.5	PDD404800	456.06 x 7.00
50.8	41.4	7.1	PDD300508	40.64 x 5.33	<b>500.0</b>	<b>487.8</b>	<b>9.5</b>	<b>PDD405000</b>	<b>481.38 x 7.00</b>
52.0	42.6	7.1	PDD300520	40.64 x 5.33	600.0	587.8	9.5	PDD406000	582.68 x 7.00
55.0	45.6	7.1	PDD300550	43.82 x 5.33	650.0	637.8	9.5	PDD406500	633.48 x 7.00
56.0	46.6	7.1	PDD300560	43.82 x 5.33					
60.0	50.6	7.1	PDD300600	50.17 x 5.33					
<b>63.0</b>	<b>53.6</b>	<b>7.1</b>	<b>PDD300630</b>	<b>53.34 x 5.33</b>					
65.0	55.6	7.1	PDD300650	53.34 x 5.33					
70.0	60.6	7.1	PDD300700	59.69 x 5.33					
75.0	65.6	7.1	PDD300750	62.87 x 5.33					
<b>80.0</b>	<b>70.6</b>	<b>7.1</b>	<b>PDD300800</b>	<b>69.22 x 5.33</b>					
85.0	75.6	7.1	PDD300850	72.39 x 5.33					
90.0	80.6	7.1	PDD300900	78.74 x 5.33					
95.0	85.6	7.1	PDD300950	81.92 x 5.33					
<b>100.0</b>	<b>90.6</b>	<b>7.1</b>	<b>PDD301000</b>	<b>88.27 x 5.33</b>					

The bore diameters in **bold** type comply with the recommendations of ISO 3320.

TSS Part No. for other dimensions and all intermediate dimensions up to 999.9 mm diameter including imperial (inch) dimensions can be supplied. Larger dimensions up to 2,700 mm available upon request.



## Turcon® Double Delta® for one Back-up Ring grooves

Double Delta® is available for designs where grooves for O-Ring with one Back-up Ring are used according to Table 119.

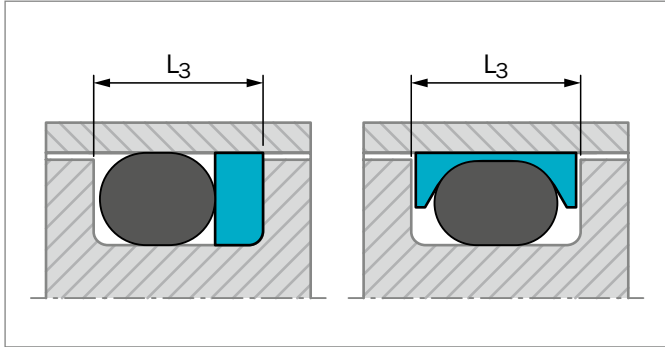


Figure 134: Groove width

### ORDERING EXAMPLE

Double Delta® complete with O-Ring, standard application:

<b>Bore Diameter:</b>	$D_N = 80 \text{ mm}$
<b>Groove Diameter:</b>	70.6 mm
<b>Groove Width:</b>	8.5 mm
<b>TSS Article No.:</b>	PDA300800-M12N

**Table 119: Seals for one Back-up Ring groove**

Series No.	Groove Width	Execution Mark 5th digit		O-Ring Cross Section
	$L_3$	Without Notch	With Notch*	$d_2$
PDA0	3.80	0	N	1.78
PDA1	4.65	0	N	2.62
PDA2	5.70	0	N	3.53
PDA3	8.50	0	N	5.33
PDA4	11.20	0	N	7.00
PDA5	12.50	0	N	8.40

\* Available for diameters from 8 mm

**TSS Article No.**    **PDA3**    **0**    **0800**    -    **M12**    **N**

TSS Series No.\*\* \_\_\_\_\_

Type (Standard)\*\*\* \_\_\_\_\_

Bore Diameter x 10 \_\_\_\_\_

Quality Index (Standard) \_\_\_\_\_

Material Code (Seal Ring)\*\*\*\* \_\_\_\_\_

Material Code (O-Ring)\*\*\*\*\* \_\_\_\_\_

\*\* From Table 119 or Table 120

\*\*\* N for seals with notches, available from diameter 8.0 mm

\*\*\*\* From Table 116

\*\*\*\*\* From Table 116

## Turcon® Double Delta® for metric O-Rings

Double Delta® is available for installation in grooves for metric O-Rings as listed in Table 120.

**Table 120: Piston Seals for Metric O-Ring Grooves**

O-Ring Cross Section $d_2$	Groove Diameter $d_1$ h9	Groove Width $L_1$ +0.2	Series No.	Execution Mark 5th digit		Available Range
				Standard	Notch*	
2.0	$D_N - 3.3$	2.7	PD2A	0	N	6 - 100.0
2.4	$D_N - 4.1$	3.2	PD2E	0	N	8 - 160.0
2.5	$D_N - 4.3$	3.3	PD2F	0	N	8 - 160.0
3.0	$D_N - 5.2$	4.0	PD3A	0	N	12 - 200.0
4.0	$D_N - 7.0$	5.2	PD4A	0	N	16 - 300.0
5.0	$D_N - 8.8$	6.6	PD5A	0	N	20 - 400.0
5.7	$D_N - 10.0$	7.2	PD5H	0	N	20 - 669.9

\* Available for diameters from 8 mm

# Turcon® Variseal® M2



---

Single-acting

---

Spring-energized plastic-U-Cup

---

**Material:**

Turcon® and Zurcon®

---



---

! This page is intentionally left blank.



## Turcon® Variseal® M2



### Description

Turcon® Variseal® M2 is a single-acting seal consisting of a U-shaped jacket and a V-shaped corrosion resistant spring. Variseal® M2 has an asymmetric seal profile. The optimized front angle offers good leakage control, reduced friction and long service life.

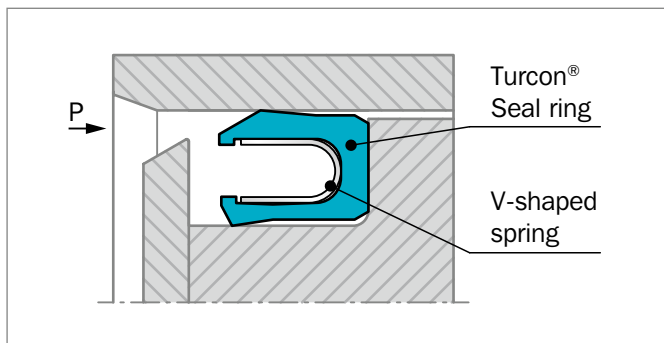


Figure 135: Turcon® Variseal® M2

### AREAS OF APPLICATION

- Hydraulic components, e.g. cylinders, valves, pumps, etc.
- Chemical processing equipment
- Pharmaceutical processing
- Food and beverage processing
- Spindle seals for machine tools
- Pneumatics, cylinders and valves

### ADVANTAGES

- Suitable for reciprocating and rotary applications
- Low coefficient of friction
- Stick-slip free operating
- High abrasion resistance
- Dimensionally stable
- Resistant to most fluids, chemicals and gases
- Withstands rapid changes in temperature
- No vulcanizing between seal and hardware
- Excellent resistance to aging
- Can be sterilized
- Available in HiClean version
- Interchangeable with O-Ring and Back-up Ring combinations to AS4716 and ISO 6194

### OPERATING CONDITIONS

<b>Operating Pressure:</b>	Maximum dynamic load: 20 MPa Maximum static load: 40 MPa (200 MPa with back-up ring)
<b>Speed:</b>	Reciprocating up to 15 m/s Rotating up to 1.3 m/s
<b>Operating Temperature:</b>	-70 °C to +300 °C Special Turcon® and Zurcon® materials as well as alternative spring materials are available for applications outside this temperature range.
<b>Media Compatibility:</b>	Virtually all fluids, chemicals and gases

### IMPORTANT NOTE

The above data are maximum values and cannot be used at the same time. e.g. the maximum operating speed depends on material type, pressure, temperature and value.

Temperature range also dependent on media.



## GENERAL

Turcon® Variseal® are single acting, spring-energized seals which are used for dynamic and static applications.

Variseal® are effective in a wide range of applications. They are chosen when higher resistance to chemical media is required, if the seal is required to operate in extremes of temperature and/or where good extrusion and compression characteristics are needed.

Turcon® Variseal® designs have three main characteristics:

- Application specific U-shaped seal profile
- Spring geometry suited to the particular application
- Proven high-performance Turcon® or Zurcon® polymers

Standard or custom geometries available in metric, inch and intermediate sizes ranging from 2 to 3,300 mm.

## METHOD OF OPERATION

All Variseal® designs included in this catalog have the same operating principle and differ only in their profile form and type of metallic spring used.

The Variseal® spring supplies the load required for sealing at low pressures (Figure 136). The "U" shaped jacket allows fluid pressure to energize the sealing lips, so total sealing pressure rises with increasing operating pressure (Figure 137).

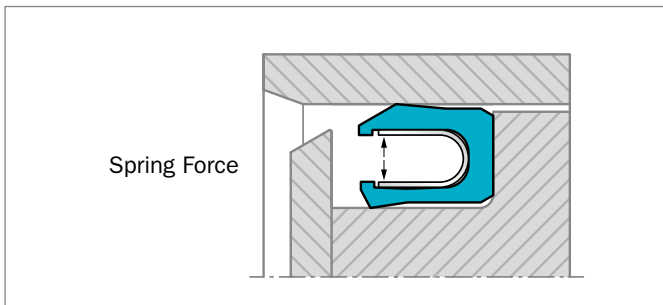


Figure 136: Turcon® Variseal® without system pressure

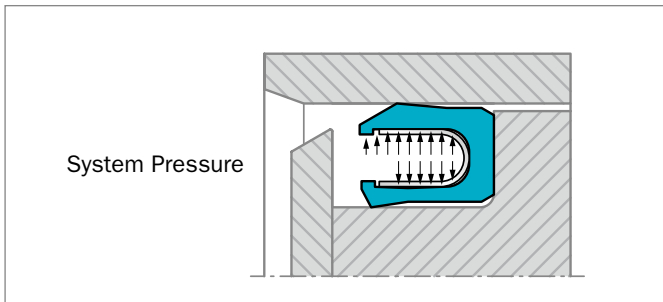


Figure 137: Turcon® Variseal® with system pressure

## PERFORMANCE

The different types of Variseal® designs combined with the properties of Turcon® and Zurcon® materials offer design engineers a wide range of solutions to a large number of applications.

The most important characteristics of Variseal® designs are listed below:

- Very low coefficient of friction
- Good dynamic and static sealing
- Capable of sealing at high speeds up to 15 m/s
- Almost universal chemical compatibility
- Operating temperature of -253 °C up to +300 °C
- Very good thermal resistance
- Properties unaffected by contact with chemicals
- Good aging characteristics
- Low compression set
- Capable of withstanding high pressures above 200 MPa (2,000 bar) when using Back-up Rings
- Very good dry-running properties
- Can be installed in grooves according to AS4716 (Mil-G-5514 is an old spec) and DIN 3771



## MATERIALS

All materials used are physiologically safe. They contain no odor or taste-affecting substances.

The following material combination has proved effective for most fluid applications:

Seal ring: Turcon® T40  
 Spring: Stainless steel, Material No. AISI 301  
 Material code S

For gas applications use:  
 Seal ring: T05 or Z80

For use in accordance with the demands of the Food and Drug Administration, suitable materials are available on request.

**Table 121: Turcon® and Zurcon® Materials for Variseal® M2**

Material Code Material Description	Operating Temperature* °C	Mating Surface Material	MPa max.
<b>Turcon® T05</b> Premium grade modified PTFE. Light duty material with greater wear resistance than Turcon T01. Reciprocating and slow rotary applications. Color: Turquoise	-200 to + 260	Steel Steel chrome plated Cast iron Stainless steel Aluminum Bronze Alloys	20
<b>Turcon® T40</b> High-grade formulation of virgin polytetrafluoroethylene (PTFE) based material compounded with carbon fiber additive. Excellent wear and low friction characteristics. Suited to reciprocating and rotary applications. Suitable for use in media with poor lubricating properties and for dry-running situations. Color: Black / gray	-60 to + 300	Steel Steel hardened Steel chrome plated	40
<b>Zurcon® Z80</b> UHMW Polyethylene. Excellent wear and abrasion resistance. Very good lubricity in water based media. Color: Translucent white	-250 to +80	Steel Steel chrome plated Stainless steel Aluminum Bronze Ceramic coating	40

\* Depending on media.

Highlighted material is standard.

### Installation of Spring Energized Seals

See page 247





## SPRING MATERIALS

The standard spring material for Turcon® Variseal® is stainless steel (spring code S).

**Table 122: Spring Material**

Media	Spring materials	Spring order code
<b>For General use e.g.</b> Oil Grease Air Water, steam Solvents Food, drugs Gas	<b>Stainless steel</b> DIN Mat No. 1.4310/1.4319 AISI 301/302 UNS 30100	S (Standard spring material)
<b>For use in corrosive media e.g.</b> Acids Caustics Seawater	<b>Hastelloy® C-276</b> DIN Mat No. 2.4819 UNS N10276	H
<b>For petrochemical use e.g.</b> Crude oil Sour gas	<b>Elgiloy® 1)</b> DIN Mat No. 2.4711 UNSR30003	E

\* Hastelloy is a registered trademark of Haynes International, Inc.

\* Elgiloy is a registered trademark of the Elgiloy Specialty Metals  
Alternative brand may be used.

1) NACE-approval



## ■ Groove Design – Metric

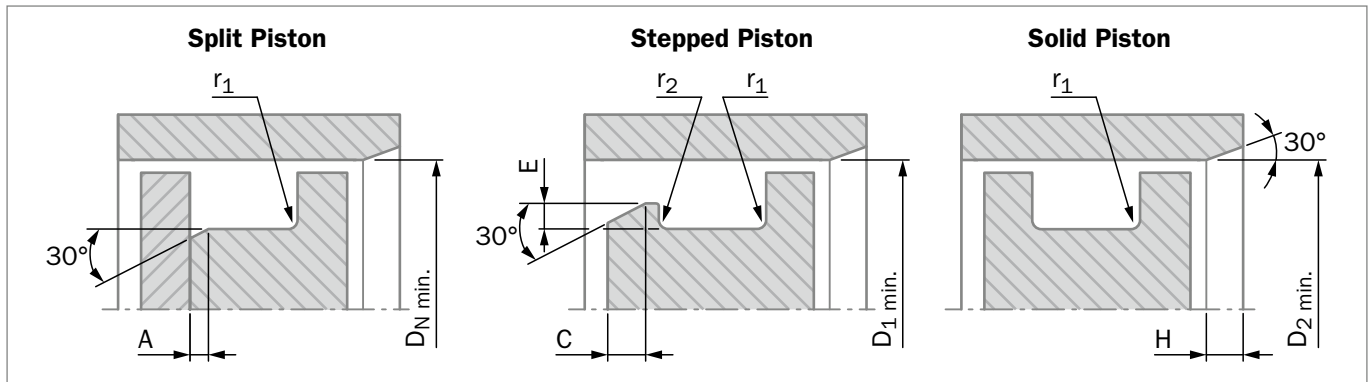


Figure 138: Variseal Groove Configurations

Installation lead-in chamfers and steps to include blend radii and are to be polished.

**Table 123: Dimensions for Groove Designs – Metric**

Series	Rod / Piston Groove Dimensions					
	A Chamfer	r <sub>1</sub> Maximum Radius	C Minimum Chamfer	r <sub>2</sub> Maximum Radius	E Minimum Step Height	H Minimum Chamfer
000	0.25 / 0.38	0.25	0.70	0.13	0.40	1.20
100	0.38 / 0.51	0.38	1.10	0.13	0.60	1.50
200	0.38 / 0.51	0.38	1.25	0.18	0.70	2.50
300	0.51 / 0.69	0.38	1.40	0.25	0.80	4.50
400	0.51 / 0.69	0.51	1.60	0.25	0.90	6.00
500	0.76 / 1.02	0.51	2.60	0.38	1.50	11.00

**Table 124: Dimensions for Groove Designs – Metric**

Series	Piston Diameter Recommendations		
	Split Groove Ø D <sub>N</sub> Minimum	Stepped Groove Ø D <sub>1</sub> Minimum	Solid Groove Ø D <sub>2</sub> Minimum
000	6.00	11.50	34.93
100	10.00	17.50	50.80
200	16.00	20.00	69.85
300	28.00	28.00	104.78
400	45.00	45.00	139.70
500	100.00	100.00	254.00



## ■ Installation Recommendation

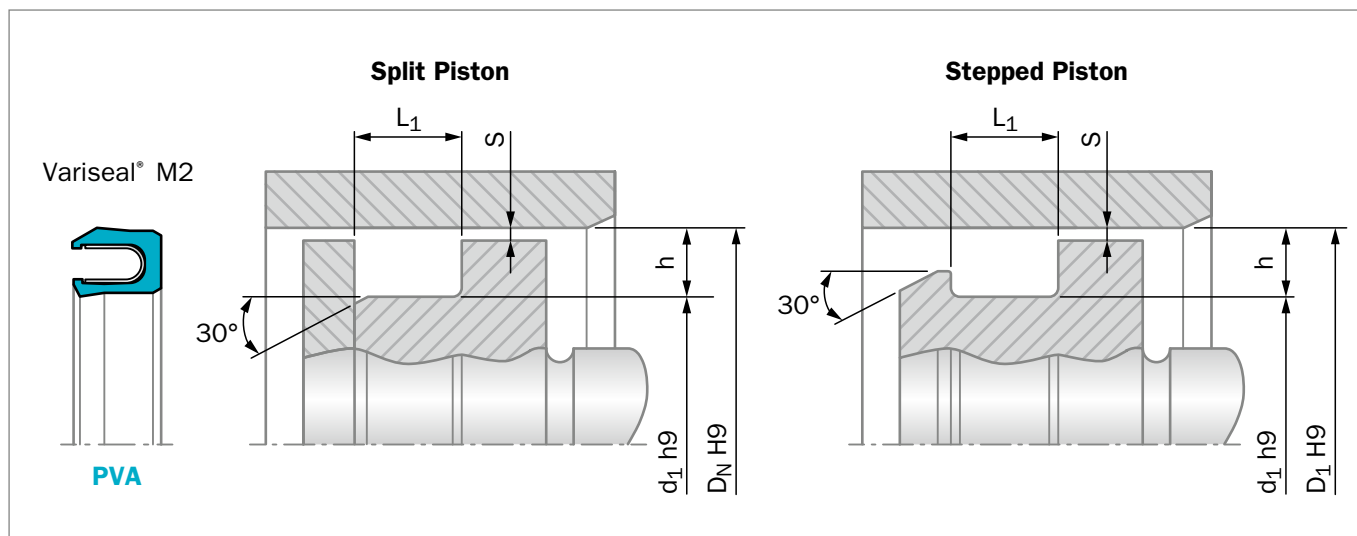


Figure 139: Installation Drawing, see Figure 138 for addition groove details

**Table 125: Installation Dimensions**

Series No.	Bore Diameter $D_N/D_1$ H9		Groove Diameter $d_1$ h9	Groove Width $L_1$ +0.2	Radial Clearance $S_{max}$ *			
	Standard Range	Extended**			<2 MPa	<10 MPa	<20 MPa	<40 MPa
PVA0	6 - 13.9	6 - 40	$D_N/D_1 - 2.9$	2.4	0.20	0.10	0.08	0.05
PVA1	14 - 24.9	10 - 200	$D_N/D_1 - 4.5$	3.6	0.25	0.15	0.10	0.07
PVA2	25 - 45.9	16 - 400	$D_N/D_1 - 6.2$	4.8	0.35	0.20	0.15	0.08
PVA3	46 - 124.9	28 - 700	$D_N/D_1 - 9.4$	7.1	0.50	0.25	0.20	0.10
PVA4	125 - 999.9	45 - 1,600	$D_N/D_1 - 12.2$	9.5	0.60	0.30	0.25	0.12
PVA5	1,000 - 2,500	100 - 2,500	$D_N/D_1 - 19.0$	15.0	0.90	0.50	0.40	0.20

\* We recommend that the gap dimensions be reduced for temperatures  $\geq 80$  °C.

At pressures  $> 40$  MPa a Back-up Ring would be incorporated and the extrusion gap would not be considered.

\*\* Available on request.

**Table 126: Installation Dimensions / TSS Part No.**

$D_N$	$d_1$	TSS Part No.	$D_N$	$d_1$	TSS Part No.	$D_N$	$d_1$	TSS Part No.
6.0	3.1	PVA0_0060	45.0	38.8	PVA2_0450	115.0	105.6	PVA3_1150
<b>8.0</b>	<b>5.1</b>	<b>PVA0_0080</b>	48.0	38.6	PVA3_0480	120.0	110.6	PVA3_1200
<b>10.0</b>	<b>7.1</b>	<b>PVA0_0100</b>	<b>50.0</b>	<b>40.6</b>	<b>PVA3_0500</b>	<b>125.0</b>	<b>112.8</b>	<b>PVA4_1250</b>
<b>12.0</b>	<b>9.1</b>	<b>PVA0_0120</b>	52.0	42.6	PVA3_0520	130.0	117.8	PVA4_1300
14.0	9.5	PVA1_0140	55.0	45.6	PVA3_0550	135.0	122.8	PVA4_1350
15.0	10.5	PVA1_0150	60.0	50.6	PVA3_0600	140.0	127.8	PVA4_1400
<b>16.0</b>	<b>11.5</b>	<b>PVA1_0160</b>	<b>63.0</b>	<b>53.6</b>	<b>PVA3_0630</b>	150.0	137.8	PVA4_1500
18.0	13.5	PVA1_0180	65.0	55.6	PVA3_0650	<b>160.0</b>	<b>147.8</b>	<b>PVA4_1600</b>
<b>20.0</b>	<b>15.5</b>	<b>PVA1_0200</b>	70.0	60.6	PVA3_0700	170.0	157.8	PVA4_1700
22.0	17.5	PVA1_0220	75.0	65.6	PVA3_0750	180.0	167.8	PVA4_1800
<b>25.0</b>	<b>18.8</b>	<b>PVA2_0250</b>	<b>80.0</b>	<b>70.6</b>	<b>PVA3_0800</b>	190.0	177.8	PVA4_1900
28.0	21.8	PVA2_0280	85.0	75.6	PVA3_0850	<b>200.0</b>	<b>187.8</b>	<b>PVA4_2000</b>
30.0	23.8	PVA2_0300	90.0	80.6	PVA3_0900	210.0	197.8	PVA4_2100
<b>32.0</b>	<b>25.8</b>	<b>PVA2_0320</b>	95.0	85.6	PVA3_0950	220.0	207.8	PVA4_2200
35.0	28.8	PVA2_0350	<b>100.0</b>	<b>90.6</b>	<b>PVA3_1000</b>	230.0	217.8	PVA4_2300
<b>40.0</b>	<b>33.8</b>	<b>PVA2_0400</b>	105.0	95.6	PVA3_1050	240.0	227.8	PVA4_2400
42.0	35.8	PVA2_0420	110.0	100.6	PVA3_1100	<b>250.0</b>	<b>237.8</b>	<b>PVA4_2500</b>

**ORDERING EXAMPLE**

Turcon® Variseal® M2, standard range:

<b>Series:</b>	PVA3 from Table 125
<b>Bore Diameter:</b>	$D_N = 80.0$ mm
<b>TSS Part No.:</b>	PVA300800
<b>Spring Material:</b>	Stainless steel
<b>Spring Load:</b>	Medium

Select the material from Table 121. The corresponding code numbers are appended to the TSS Part No. from Table 126. Together they form the TSS Article No. For all intermediate sizes not shown in Table 126, the TSS Article No. can be determined from the example opposite.

**TSS Article No. PVA3 0 0800 - T40 S M**

TSS Series No. \_\_\_\_\_  
 Type (Standard) \_\_\_\_\_  
 Bore Diameter x 10\*\* \_\_\_\_\_  
 Quality Index (Standard) \_\_\_\_\_  
 Material Code (Seal Ring) \_\_\_\_\_  
 Material Code (Spring) \_\_\_\_\_  
 Spring Load\*\*\* \_\_\_\_\_

\*\* For diameters  $D_N \geq 1,000.0$  mm multiply only by factor 1.

Example: PVA5 for diameter  $D_N = 1,200.0$  mm

TSS Article No.: PVA5X**1200** - T40SM

\*\*\* M Medium, R HiClean

---

! This page is intentionally left blank.

# Turcon® VL Seal®



---

Single-acting

---

Rubber-energized plastic-faced seal

---

**Material:**

Turcon®, Zurcon® and Elastomer

---



---

! This page is intentionally left blank.



## ■ Turcon® VL Seal®\*



### ■ Description

Turcon® VL Seal® is a new generation unidirectional Piston seal for the same groove dimensions as standard O-Rings, Figure 140.

The design is optimized with regard to performance, friction, leakage and service life through meticulous simulation, in-house testing and qualification in customer applications.

VL Seal® effectively provides static sealing by the O-Ring. The O-Ring is protected from damage under pressure cycles by the contoured O-Ring contact zone which supports the O-Ring and keeps it in position also at high working pressure.

VL Seal® is designed with hydrodynamic back-pumping effect which allows the seal to relieve pressure trapped between seals in tandem configuration.

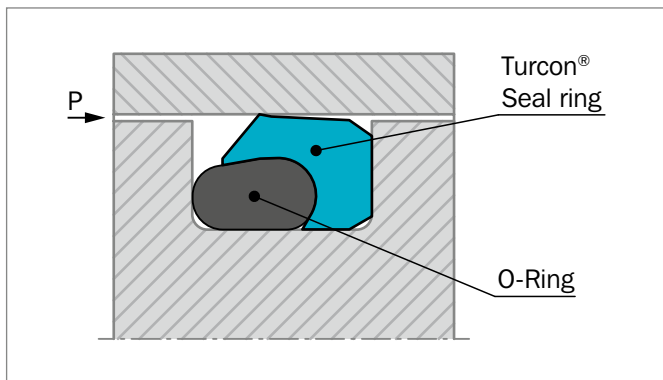


Figure 140: Turcon® VL Seal® mounted in O-Ring groove

### METHOD OF OPERATION

The sealing mechanism of VL Seal® is based on the hydrodynamic properties of the seal. The specially formed seal edge has a steep contact pressure gradient on the high pressure side and a shallow contact pressure gradient on the low pressure side. This ensures that the fluid film adhering to the cylinder bore is returned to the high pressure chamber on the return stroke of the piston minimizing the risk of leaks.

This also prevents the build-up of inter-seal pressure normally associated with tandem seal configurations. Inter-seal pressure depends on the system pressure, speed, stroke length and groove design.

### ADVANTAGES

- Groove design with shallow radial depth
- Optimized leakage control and service life
- Low friction with small contact area between seal and counter surface
- Featuring the Turcon® Stepseal® 2K back pumping effect
- Utilize standard O-Ring installation groove
- Available in all diameter sizes from 10 to 2,700 mm

### APPLICATION EXAMPLES

VL Seal® is recommended for hydraulics and general machine construction as an alternative to Stepseal® 2K and other single acting seals, for example in:

- Machine tools
- Automation
- Handling devices
- Single acting cylinders
- Automobile industry
- Servo hydraulics
- Down-hole tools
- O-Ring replacement

\* Patent application: WO 02/08614 A2





## OPERATING CONDITIONS

<b>Pressure:</b>	Up to 60 MPa
<b>Speed:</b>	Up to 15 m/s for Turcon® materials with linear movements frequency up to 5 Hz
<b>Temperature:</b>	-45 °C to +200 °C* depending on seal and O-Ring material
<b>Media:</b>	Mineral oil-based hydraulic fluids, flame retardant hydraulic fluids, environmentally friendly hydraulic fluids (bio-oils), phosphate ester, water and others, depending on the seal and O-Ring material compatibility see Table 127
<b>Clearance:</b>	The maximum permissible radial clearance $S_{max}$ is shown in Table 128, as a function of the operating pressure and functional diameter.

### IMPORTANT NOTE

The above data are maximum values and cannot be used at the same time, e.g. the maximum operating speed depends on material type, pressure, temperature and gap value. Temperature range also depends on media.

\* In the case of unpressurized piston applications in temperatures below 0 °C please contact your local Customer Solution Center for more information!

## RADIAL NOTCH

VL Seal® can be delivered with radial notches at the low pressure side. This is an advantage if the seal is used in rotary applications. Notches can prevent the seal from rotating in the groove by avoiding pressurised fluid being trapped between seal and groove corner.

## INSTALLATION INSTRUCTIONS

VL Seal® is dimensionally interchangeable with seals for O-Ring housings, like Turcon® Double Delta® and Turcon® Variseal® M2. Groove dimensions, radial clearances and recommended seal series in relation to diameter are as illustrated in Table 128.

VL Seal® is preferably installed in closed grooves according to Figure 102 page 250. Depending on type and size installation in split grooves is also possible. Recommended minimum diameters for installation in closed grooves, see Table 81 page 250.

## RECOMMENDED MATERIALS

The following material combinations have proven effective for hydraulic applications:

### Turcon® VL Seal® in Turcon® M12

All round material for light to heavy hydraulic applications with linear, short stroke or helical movements in mineral oils, flame retardant hydraulic fluids, phosphate ester, bio-oils or fluids having less satisfactory lubricating properties:

O-Ring:	NBR 70 Shore A	N
	FKM 70 Shore A	V

Set code: M12N or M12V

### Turcon® VL Seal® in Turcon® T46

For medium to heavy applications with linear movements in mineral oils and other media with good lubrication:

O-Ring:	NBR 70 Shore A	N
	FKM 70 Shore A	V

Set code: T46N or T46V

Zurcon® Z54 is recommended for VL Seal® as alternative to polyurethane U-Cups especially outside the size range of these products.

For specific applications, all Turcon® materials are available.

Other material combinations are listed in Table 127.

**Table 127: Turcon® and Zurcon® Materials for VL Seal®**

Material, Applications, Properties	Code	O-Ring Material Shore A	Code	O-Ring Operating Temp.* °C	Mating Surface Material	MPa max. Dynamic
<b>Turcon® M12</b> First material choice for seals in linear motion Overall improved properties For new constructions and updating For all commonly applied hydraulic fluids including fluids with low lubrication performance Lowest friction and best sliding properties Lowest wear on seals Improved absorption of abrasive contaminants Low wear or abrasion of counter surface BAM tested Mineral fiber and Additives filled Color: Dark gray	M12	NBR 70	N	-30 to +100	Steel	50
		NBR 70 Low temp.	T	-45 to +80	Steel hardened Cast iron	
		FKM 70	V	-10 to +200	Stainless steel Titanium	
<b>Turcon® T05</b> For lubricating fluids Also for gas service Very low friction Very good sliding and sealing properties Color: Turquoise	T05	NBR 70	N	-30 to +100	Steel	20
		NBR 70 Low temp.	T	-45 to +80	Steel hardened	
		FKM 70	V	-10 to +200		
<b>Turcon® T08</b> For lubricating fluids and linear motion Very high compressive strength and extrusion resistance Hard counter surfaces is recommended Bronze filled Color: Light to dark brown, which may have variations in shading	T08	NBR 70	N	-30 to +100	Steel hardened	60
		NBR 70 Low temp.	T	-45 to +80	Cast iron	
		FKM 70	V	-10 to +200		
<b>Turcon® T10</b> For hydraulic and pneumatic For linear motion in lubricating and non-lubricating fluids High extrusion resistance Good chemical resistance Not for electrically conducting fluids BAM tested Carbon, graphite filled Color: Black	T10	NBR 70	N	-30 to +100	Steel	40
		NBR 70 Low temp.	T	-45 to +80	Steel hardened Stainless steel	
		FKM 70	V	-10 to +200		
		EPDM 70	E**	-45 to +145		
<b>Turcon® T29</b> For lubricating and non-lubricating fluids Good extrusion resistance Surface texture is not suitable for gas sealing Not for electrically conducting fluids Carbon fiber filled Color: Gray	T29	NBR 70	N	-30 to +100	Steel	30
		NBR 70 Low temp.	T	-45 to +80	Steel hardened Cast iron	
		FKM 70	V	-10 to +200	Stainless steel	
		EPDM 70	E**	-45 to +145		

Table continues on next page



Material, Applications, Properties	Code	O-Ring Material Shore A	Code	O-Ring Operating Temp.* °C	Mating Surface Material	MPa max. Dynamic
<b>Turcon® T40</b> For lubricating and non-lubricating fluids High frequency and short strokes Water hydraulics Surface texture is not suitable for gas sealing Carbon fiber filled Color: Gray	T40	NBR 70	N	-30 to +100	Steel	25
		NBR 70 Low temp.	T	-45 to +80	Steel hardened Cast iron	
		FKM 70	V	-10 to +200	Stainless steel	
		EPDM 70	E**	-45 to +145	Aluminum	
<b>Turcon® T46</b> For lubricated hydraulics in linear motion High compressive strength High extrusion resistance Very good sliding and wear properties BAM tested Bronze filled Color: Light to dark brown, which may have variations in shading	T46	NBR 70	N	-30 to +100	Steel hardened	50
		NBR 70 Low temp.	T	-45 to +80	Cast iron	
		FKM 70	V	-10 to +200		
<b>Zurcon® Z53***</b> For mineral oil based fluids Very high abrasion and extrusion resistance For counter surface with rougher surface finish Limited chemical resistance Max. working temperature 110 °C Cast polyurethane Color: Yellow to light-brown	Z53	NBR 70	N	-30 to +100	Steel	60
		NBR 70 Low temp.	T	-45 to +80	Steel hardened Steel chrome plated (rod) Cast iron Stainless steel Ceramic coating	
<b>Zurcon® Z54***</b> For mineral oil based fluids Linear and slowly turning movements High abrasion resistance For counter surface with rougher surface finish Good extrusion resistance Limited chemical resistance Max. working temperature 110 °C Cast polyurethane Color: Turquoise	Z54	NBR 70	N	-30 to +100	Steel	25
		NBR 70 Low temp.	T	-45 to +80	Steel hardened Steel chrome plated (rod) Cast iron Stainless steel Ceramic coating	
<b>Zurcon® Z80</b> For lubricating and non-lubricating fluids Water based fluids, air and gases Dry air pneumatics High abrasion and extrusion resistance For service in abrasive conditions and media with particles Good chemical resistance Limited temperature capability (-60 to +80 °C) UHMWPE (Ultra High Molecular Weight Polyethylene) Color: White to off-white	Z80	NBR 70	N	-30 to (+100)	Steel	35
		NBR 70 Low temp.	T	-45 to +80	Steel hardened Stainless steel	
		EPDM 70	E**	-45 to (+145)	Aluminum Ceramic coating	

\* The O-Ring Operation Temperature is only valid in mineral hydraulic oil (except EPDM).

\*\* Material not suitable for mineral oils.

\*\*\* Max. diameter 2,300 mm.

BAM: Tested by "Bundesanstalt Materialprüfung, Germany".

□ Highlighted materials are recommended.



## Installation Recommendation

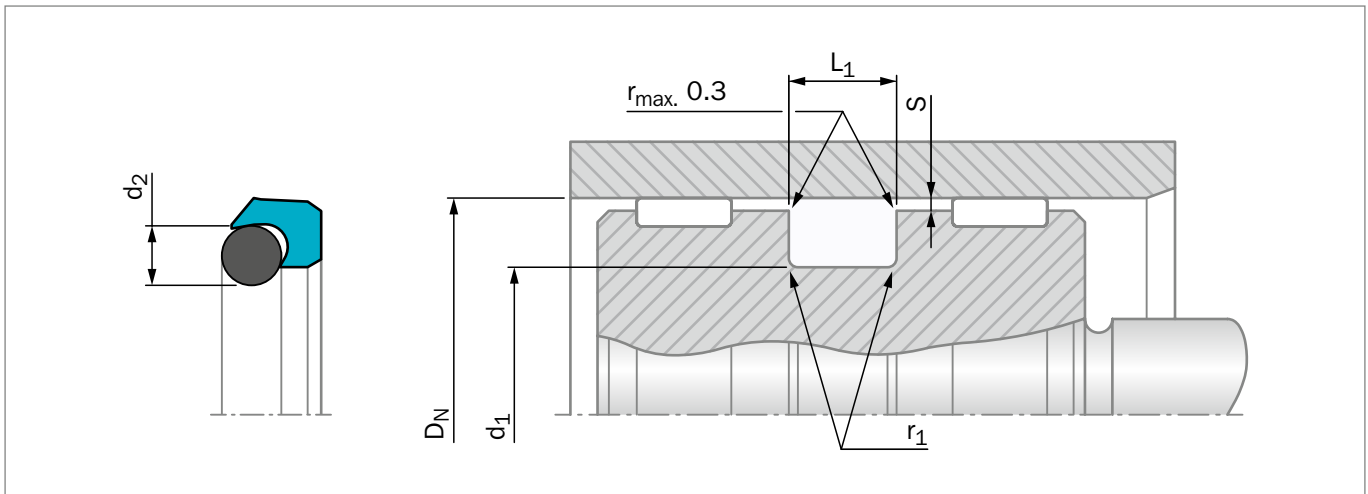


Figure 141: Installation Drawing

**Table 128: Installation Dimensions - Standard Recommendations**

Series No.	Bore Diameter $D_N$ H9		Groove Diameter $d_1$ h9	Groove Width $L_1$ +0.2	Radius $r_1$ max	Radial Clearance $S_{max}$			O-Ring Cross Section $d_2$
	Standard Application	Available Range				10 MPa	20 MPa	30 MPa	
PEL10	14 - 24.9	10 - 100.0	$D_N - 4.5$	3.6	0.4	0.40	0.25	0.15	1.78
PEL20	25 - 45.9	16 - 200.0	$D_N - 6.2$	4.8	0.6	0.40	0.25	0.20	2.62
PEL30	46 - 124.9	28 - 400.0	$D_N - 9.4$	7.1	0.8	0.50	0.30	0.20	3.53
PEL40	125 - 399.9	45 - 650.0	$D_N - 12.2$	9.5	0.8	0.60	0.35	0.25	5.33
PEL50	400 - 649.9	125 - 999.9	$D_N - 15.9$	12.2	0.8	0.70	0.50	0.30	7.00
PEL60	650 - 999.9	400 - 999.9	$D_N - 19.0$	15.0	0.8	1.00	0.70	0.60	8.40
PEL6X	1,000 - 2,700		$D_N - 19.0$	15.0	0.8	1.00	0.70	0.60	8.40

\* At pressures > 40 MPa use diameter tolerance H8/f8 (bore/piston) in the area behind seal or consult your local Customer Solution Center for alternative material or profiles.

Slydring® / Wear Rings are not applicable at very small radial clearances please consult the Slydring® section in this catalog.  
For minimum diameter installation in closed grooves, see Table 81 page 250

### ORDERING EXAMPLE

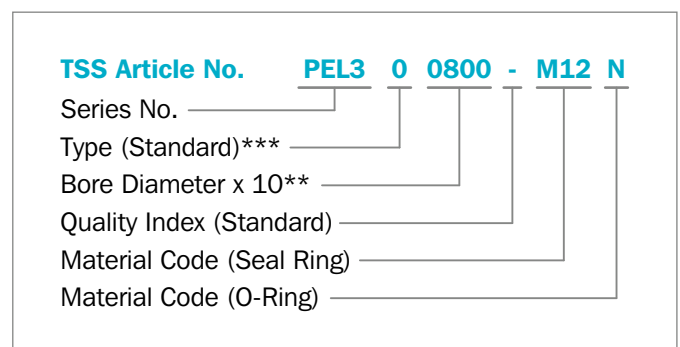
Turcon® VL Seal® complete with O-Ring, standard application:

**Series:** PEL30 from Table 128

**Bore Diameter:**  $D_N = 80.0$  mm

**TSS Part No.:** PEL300800 from Table 129

Select the material from Table 127. The corresponding code numbers are appended to the TSS Part No. Together these form the TSS Article Number. The TSS Article Number for all intermediate sizes can be determined by following the example:



\*\* For diameters  $D_N \geq 1,000.0$  mm multiply only by factor 1.  
Example: PEL6X for diameter  $D_N = 1,200.0$  mm  
TSS Article No.: PEL6X1200 - M12N

\*\*\* Use suffix "N" for seals with radial notches, for diameter  $D_N < 1,000$  mm. (Radial notches for diameter  $D_N \geq 1,000$  mm, special part number is required).



**Table 129: Installation Dimensions / Part No.**

Bore Dia.	Groove Dia.	Groove Width	TSS Part No.	O-Ring Dimensions	Bore Dia.	Groove Dia.	Groove Width	TSS Part No.	O-Ring Dimensions
D <sub>N</sub> H9	d <sub>1</sub> h9	L <sub>1</sub> +0.2			D <sub>N</sub> H9	d <sub>1</sub> h9	L <sub>1</sub> +0.2		
<b>10.0</b>	<b>5.5</b>	<b>3.6</b>	<b>PEL100100</b>	<b>4.80 x 1.80</b>	70.0	60.6	7.1	PEL300700	59.92 x 3.53
11.0	6.5	3.6	PEL100110	6.07 x 1.78	75.0	65.6	7.1	PEL300750	63.09 x 3.53
<b>12.0</b>	<b>7.5</b>	<b>3.6</b>	<b>PEL100120</b>	<b>7.10 x 1.80</b>	<b>80.0</b>	<b>70.6</b>	<b>7.1</b>	<b>PEL300800</b>	<b>69.44 x 3.53</b>
14.0	9.5	3.6	PEL100140	8.75 x 1.80	<b>80.0</b>	<b>67.8</b>	<b>9.5</b>	<b>PEL400800</b>	<b>66.04 x 5.33</b>
<b>16.0</b>	<b>11.5</b>	<b>3.6</b>	<b>PEL100160</b>	<b>11.20 x 1.80</b>	85.0	75.6	7.1	PEL300850	75.79 x 3.53
<b>16.0</b>	<b>9.8</b>	<b>4.8</b>	<b>PEL200160</b>	<b>9.19 x 2.62</b>	85.0	72.8	9.5	PEL400850	72.39 x 5.33
18.0	13.5	3.6	PEL100180	13.20 x 1.80	90.0	80.6	7.1	PEL300900	78.97 x 3.53
18.0	11.8	4.8	PEL200180	10.77 x 2.62	90.0	77.8	9.5	PEL400900	75.57 x 5.33
20.0	15.5	3.6	PEL100200	14.00 x 1.78	95.0	85.6	7.1	PEL300950	85.32 x 3.53
20.0	13.8	4.8	PEL200200	12.37 x 2.62	95.0	82.8	9.5	PEL400950	81.92 x 5.33
22.0	17.5	3.6	PEL100220	17.17 x 1.78	<b>100.0</b>	<b>90.6</b>	<b>7.1</b>	<b>PEL301000</b>	<b>88.49 x 3.53</b>
22.0	15.8	4.8	PEL200220	14.50 x 2.65	<b>100.0</b>	<b>87.8</b>	<b>9.5</b>	<b>PEL401000</b>	<b>88.27 x 5.33</b>
25.0	20.5	3.6	PEL100250	20.35 x 1.78	105.0	95.6	7.1	PEL301050	94.84 x 3.53
25.0	18.8	4.8	PEL200250	18.00 x 2.65	105.0	92.8	9.5	PEL401050	91.44 x 5.33
28.0	21.8	4.8	PEL200280	20.29 x 2.62	106.0	96.6	7.1	PEL301060	94.84 x 3.53
28.0	18.6	7.1	PEL300280	17.04 x 3.53	110.0	100.6	7.1	PEL301100	101.19 x 3.53
30.0	25.5	3.6	PEL100300	25.12 x 1.78	110.0	97.8	9.5	PEL401100	97.79 x 5.33
30.0	23.8	4.8	PEL200300	23.47 x 2.62	115.0	105.6	7.1	PEL301150	104.37 x 3.53
<b>32.0</b>	<b>27.5</b>	<b>3.6</b>	<b>PEL100320</b>	<b>26.70 x 1.78</b>	115.0	102.8	9.5	PEL401150	100.97 x 5.33
<b>32.0</b>	<b>25.8</b>	<b>4.8</b>	<b>PEL200320</b>	<b>25.07 x 2.62</b>	120.0	110.6	7.1	PEL301200	110.72 x 3.53
<b>32.0</b>	<b>22.6</b>	<b>7.1</b>	<b>PEL300320</b>	<b>21.82 x 3.53</b>	120.0	107.8	9.5	PEL401200	107.32 x 5.33
35.0	28.8	4.8	PEL200350	28.24 x 2.62	<b>125.0</b>	<b>115.6</b>	<b>7.1</b>	<b>PEL301250</b>	<b>113.89 x 3.53</b>
<b>40.0</b>	<b>35.5</b>	<b>3.6</b>	<b>PEL100400</b>	<b>34.65 x 1.78</b>	<b>125.0</b>	<b>112.8</b>	<b>9.5</b>	<b>PEL401250</b>	<b>110.49 x 5.33</b>
<b>40.0</b>	<b>33.8</b>	<b>4.8</b>	<b>PEL200400</b>	<b>32.99 x 2.62</b>	<b>125.0</b>	<b>109.1</b>	<b>12.2</b>	<b>PEL501250</b>	<b>107.35 x 7.00</b>
<b>40.0</b>	<b>30.6</b>	<b>7.1</b>	<b>PEL300400</b>	<b>29.75 x 3.53</b>	130.0	120.6	7.1	PEL301300	120.24 x 3.53
42.0	35.8	4.8	PEL200420	34.59 x 2.62	130.0	117.8	9.5	PEL401300	116.84 x 5.33
45.0	38.8	4.8	PEL200450	37.77 x 2.62	135.0	122.8	9.5	PEL401350	123.19 x 5.33
45.0	32.8	9.5	PEL400450	31.12 x 5.33	140.0	127.8	9.5	PEL401400	126.37 x 5.33
48.0	41.8	4.8	PEL200480	40.94 x 2.62	140.0	124.1	12.2	PEL501400	123.19 x 7.00
<b>50.0</b>	<b>43.8</b>	<b>4.8</b>	<b>PEL200500</b>	<b>42.52 x 2.62</b>	145.0	132.8	9.5	PEL401450	132.72 x 5.33
<b>50.0</b>	<b>40.6</b>	<b>7.1</b>	<b>PEL300500</b>	<b>40.87 x 3.53</b>	150.0	137.8	9.5	PEL401500	135.89 x 5.33
<b>50.0</b>	<b>37.8</b>	<b>9.5</b>	<b>PEL400500</b>	<b>37.47 x 5.33</b>	155.0	145.6	7.1	PEL301550	145.64 x 3.53
52.0	45.8	4.8	PEL200520	45.69 x 2.62	<b>160.0</b>	<b>150.6</b>	<b>7.1</b>	<b>PEL301600</b>	<b>148.82 x 3.53</b>
55.0	48.8	4.8	PEL200550	48.90 x 2.62	<b>160.0</b>	<b>147.8</b>	<b>9.5</b>	<b>PEL401600</b>	<b>145.42 x 5.33</b>
60.0	50.6	7.1	PEL300600	50.39 x 3.53	<b>160.0</b>	<b>144.1</b>	<b>12.2</b>	<b>PEL501600</b>	<b>142.24 x 7.00</b>
63.0	56.8	4.8	PEL200630	56.82 x 2.62	165.0	155.6	7.1	PEL301650	151.99 x 3.53
63.0	53.6	7.1	PEL300630	53.57 x 3.53	165.0	152.8	9.5	PEL401650	151.77 x 5.33
63.0	50.8	9.5	PEL400630	50.17 x 5.33	170.0	157.8	9.5	PEL401700	158.12 x 5.33
65.0	55.6	7.1	PEL300650	53.57 x 3.53	175.0	165.6	7.1	PEL301750	164.69 x 3.53
70.0	63.8	4.8	PEL200700	63.17 x 2.62	180.0	170.6	7.1	PEL301800	171.04 x 3.53



Bore Dia.	Groove Dia.	Groove Width	TSS Part No.	O-Ring Dimensions
D <sub>N</sub> H9	d <sub>1</sub> h9	L <sub>1</sub> +0.2		
180.0	167.8	9.5	PEL401800	164.47 x 5.33
180.0	164.1	12.2	PEL501800	164.47 x 7.00
190.0	180.6	7.1	PEL301900	177.39 x 3.53
190.0	177.8	9.5	PEL401900	177.17 x 5.33
<b>200.0</b>	<b>190.6</b>	<b>7.1</b>	<b>PEL302000</b>	<b>190.09 x 3.53</b>
<b>200.0</b>	<b>187.8</b>	<b>9.5</b>	<b>PEL402000</b>	<b>189.87 x 5.33</b>
<b>200.0</b>	<b>184.1</b>	<b>12.2</b>	<b>PEL502000</b>	<b>183.52 x 7.00</b>
205.0	192.8	9.5	PEL402050	189.87 x 5.33
210.0	197.8	9.5	PEL402100	196.22 x 5.33
220.0	210.6	7.1	PEL302200	209.14 x 3.53
220.0	207.8	9.5	PEL402200	208.92 x 5.33
220.0	204.1	12.2	PEL502200	202.57 x 7.00
230.0	217.8	9.5	PEL402300	215.27 x 5.33
240.0	227.8	9.5	PEL402400	227.97 x 5.33
<b>250.0</b>	<b>237.8</b>	<b>9.5</b>	<b>PEL402500</b>	<b>234.32 x 5.33</b>
<b>250.0</b>	<b>234.1</b>	<b>12.2</b>	<b>PEL502500</b>	<b>227.97 x 7.00</b>
300.0	284.1	12.2	PEL503000	278.77 x 7.00
306.0	293.8	9.5	PEL403060	291.47 x 5.33
<b>320.0</b>	<b>307.8</b>	<b>9.5</b>	<b>PEL403200</b>	<b>304.17 x 5.33</b>
<b>320.0</b>	<b>304.1</b>	<b>12.2</b>	<b>PEL503200</b>	<b>304.17 x 7.00</b>
345.0	332.8	9.5	PEL403450	329.57 x 5.33
350.0	334.1	12.2	PEL503500	329.57 x 7.00
<b>400.0</b>	<b>384.1</b>	<b>12.2</b>	<b>PEL504000</b>	<b>380.37 x 7.00</b>
<b>400.0</b>	<b>381.0</b>	<b>15.0</b>	<b>PEL604000</b>	<b>379.00 x 8.40</b>
440.0	424.1	12.2	PEL504400	430.66 x 7.00
450.0	431.0	15.0	PEL604500	429.00 x 8.40
<b>500.0</b>	<b>484.1</b>	<b>12.2</b>	<b>PEL505000</b>	<b>481.38 x 7.00</b>
<b>500.0</b>	<b>481.0</b>	<b>15.0</b>	<b>PEL605000</b>	<b>479.00 x 8.40</b>
520.0	507.8	9.5	PEL405200	506.78 x 5.33
540.0	524.1	12.2	PEL505400	532.26 x 7.00
540.0	521.0	15.0	PEL605400	519.00 x 8.40
600.0	584.1	12.2	PEL506000	582.68 x 7.00
600.0	581.0	15.0	PEL606000	579.00 x 8.40
650.0	634.1	12.2	PEL506500	633.48 x 7.00
650.0	631.0	15.0	PEL606500	629.00 x 8.40
700.0	684.1	12.2	PEL507000	658.88 x 7.00
700.0	681.0	15.0	PEL607000	679.00 x 8.40
800.0	784.1	12.2	PEL508000	782.00 x 7.00
800.0	781.0	15.0	PEL608000	779.00 x 8.40
860.0	844.1	12.2	PEL508600	842.00 x 7.00

Bore Dia.	Groove Dia.	Groove Width	TSS Part No.	O-Ring Dimensions
D <sub>N</sub> H9	d <sub>1</sub> h9	L <sub>1</sub> +0.2		
900.0	884.1	12.2	PEL509000	882.00 x 7.00
900.0	881.0	15.0	PEL609000	879.00 x 8.40
920.0	904.1	12.2	PEL509200	902.00 x 7.00
1,000.0	981.0	15.0	PEL6X1000	979.00 x 8.40
1,200.0	1,181.0	15.0	PEL6X1200	1,179.00 x 8.40
1,500.0	1,481.0	15.0	PEL6X1500	1,479.00 x 8.40
2,000.0	1,981.0	15.0	PEL6X2000	1,979.00 x 8.40
2,700.0	2,681.0	15.0	PEL6X2700	2,679.00 x 8.40

The bore diameters in **bold** type are in accordance with the recommendations of ISO 3320.

Other dimensions and all intermediate sizes up to 2,700 mm diameter including imperial (inch) sizes can be supplied.

---

! This page is intentionally left blank.

# Zurcon® U-Cup PUA



---

Single-acting

---

Asymmetric, Single Lip

---

For O-Ring Grooves

---

**Material:**  
Zurcon®

---





---

! This page is intentionally left blank.



## ■ Piston U-Cup PUA



### ■ Description

The U-Cup is a single-acting piston seal out of injection molded polyurethane. It is provided with a robust dynamic sealing lip and a wide contact area of the static lip, which guaranties an effective positioning in the groove.

The profile is suitable for pressures up to 40 MPa provided that the extrusion gap is adapted to the pressure level. Thanks to the elasticity of the polyurethane material the U-Cup can easily be installed in closed grooves.

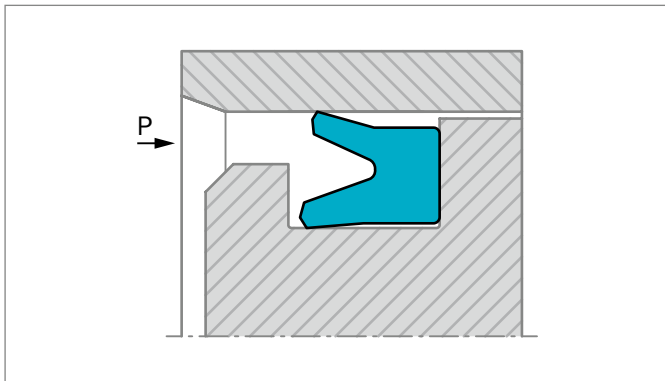


Figure 142: Piston U-Cup Type PUA

### ADVANTAGES

- Simple groove design
- High abrasion resistance
- Long service life
- Effective sealing effect even with non excellent mating surface finish

### APPLICATION EXAMPLES

The U-Cup is the recommended sealing element for single acting pistons of hydraulic components such as:

- Presses
- Lift platforms
- Aftermarket

### OPERATING CONDITIONS

<b>Pressure:</b>	Up to 40 MPa
<b>Speed:</b>	Up to 0.5 m/s
<b>Temperature:</b>	from -35 °C to +110 °C
<b>Media:</b>	Mineral oil based hydraulic fluids
<b>Clearance:</b>	From Table 130 the maximum value of the radial clearance $S_{max}$ can be selected for dimensioning the piston. The values indicated in this table must be reduced by 30% when temperature exceeds 80 °C.

Table 130: Clearance

Operating Pressure MPa	Radial Clearance $S_{max}$	
	$d_N < 60$ mm	$d_N > 60$ mm
5	0.40	0.50
10	0.30	0.40
20	0.20	0.30
30	0.15	0.20
40	0.10	0.15

### IMPORTANT NOTE

The above data are maximum values and cannot be used at the same time, e.g. the maximum operating speed depends on material type, pressure, temperature and gap value. Temperature range also depends on media.

### MATERIALS

#### Standard Material:

For hydraulic components in mineral oils or medium with good lubricating performance, polyurethane 93 Shore A

Zurcon® Z20

Color: Turquoise



## ■ Installation Recommendation

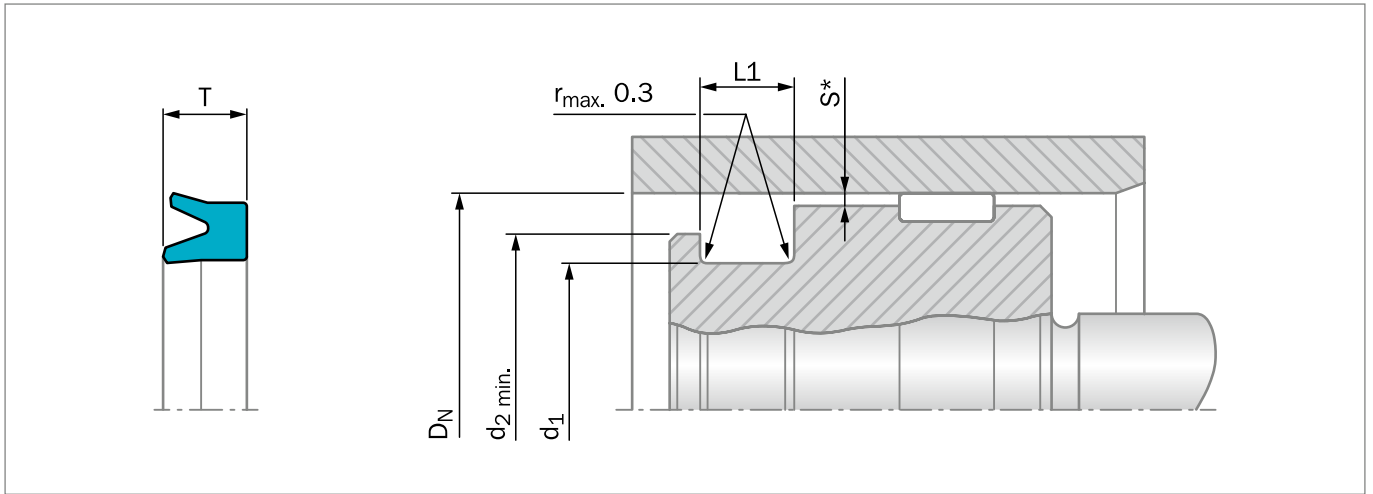


Figure 143: Installation Drawing

\* Dimensions "S" see Table 130

### ORDERING EXAMPLE

<b>Bore Diameter:</b>	$D_N = 80 \text{ mm}$
<b>Groove Diameter:</b>	$d_1 = 60 \text{ mm}$
<b>Groove Width:</b>	$L_1 = 13 \text{ mm}$
<b>TSS Part No.:</b>	PUA000800 from Table 131
<b>Material Code:</b>	Z20

<b>TSS Article No.</b>	<b>PUA 0 00800 - Z20</b>
TSS Series No.	PUA
Execution Code	0
Bore Diameter x 10	00800
Quality Index (Standard)	-
Material Code	Z20



Table 131: Installation Dimensions / TSS Part No.

Bore Diameter	Groove Diameter	Seal Width	Groove Width	Fitting Diameter	TSS Part No.
$D_N$	$d_1$	T	L1	$d_2$	
H9	h9		+0.2	min	
14.0	8.0	6.3	6.8	11.0	PUA000140
16.0	8.0	6.0	5.5	13.0	PUA300160
25.0	15.0	8.0	9.0	19.0	PUA000250
30.0	22.0	6.5	7.0	26.0	PUA400300
32.0	26.0	5.0	6.0	28.0	PUA200320
35.0	25.0	8.0	9.0	29.0	PUA100350
40.0	32.0	5.5	6.5	36.0	PUA300400
50.0	40.0	10.0	11.0	44.0	PUA400500
50.0	42.0	5.5	6.0	45.0	PUA900500
52.0	42.0	5.7	6.5	46.0	PUA000520
55.0	40.0	10.0	11.0	45.0	PUA000550
60.0	50.0	7.0	8.0	54.0	PUA000600
60.0	50.0	10.0	11.0	54.0	PUA600600
63.0	53.0	7.0	8.0	57.0	PUA200630
70.0	60.0	7.0	8.0	64.0	PUA100700
80.0	60.0	12.0	13.0	65.0	PUA000800
80.0	68.0	8.5	9.5	72.0	PUA300800
80.0	70.0	12.0	13.0	74.0	PUA700800
85.0	70.0	12.0	13.0	75.0	PUA300850
110.0	95.0	12.0	13.0	100.0	PUA101100
110.0	100.0	7.0	8.0	104.0	PUA201100
125.0	100.0	15.0	16.0	105.0	PUA201250
125.0	105.0	12.0	13.0	110.0	PUA301250
125.0	110.0	10.0	11.0	115.0	PUA101250
140.0	120.0	12.0	13.0	125.0	PUA001400
160.0	140.0	11.5	12.5	145.0	PUA001600
200.0	175.0	15.0	16.0	180.0	PUA102000

---

! This page is intentionally left blank.

# Zurcon® Wynseal



---

Double-acting

---

Rubber-energized plastic-faced seal

---

High static and dynamic sealing effect

**Material:**

Zurcon® + NBR

---



---

! This page is intentionally left blank.



## Zurcon® Wynseal



### Description

The Zurcon® Wynseal is a double-acting seal consisting of a special polyurethane seal ring and an O-Ring as energizing element (Figure 144).

The particular characteristic of the seal is the special design of the seal edge profile. Two external seal edges act as primary seal for pressures from both sides and prevent any build-up of hydrodynamic pressure over the seal profile and the risk of the blow-by effect. The central back-up and sealing bulge increases the sealing effect\*. Grooves are provided on both sides on the plane surfaces to provide activation of the energizing O-Ring. These ensure direct pressure loading of the seal under all operating conditions.

Since the installation groove is identical to that for the Turcon® Glyd Ring®, the seal is ideal for the standardisation of cylinder construction if, efficient and low cost seal elements are demanded in large quantities and, the cylinder can be adapted to meet different operating conditions. It has to be taken into consideration that in this case the gap dimension has to be checked!

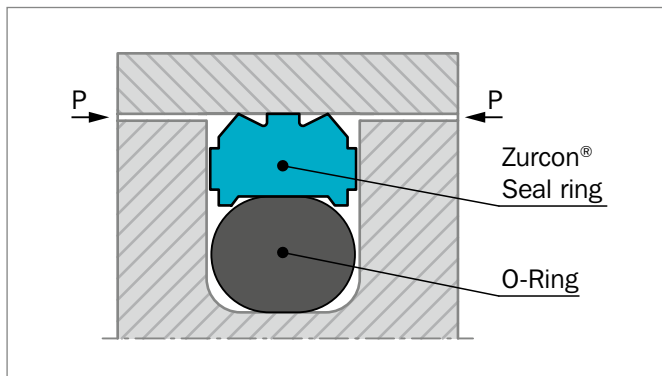


Figure 144: Zurcon® Wynseal

### ADVANTAGES

- High static and dynamic sealing effect
- High abrasion resistance
- Simple groove design, one-piece piston possible
- Suitable for grooves to ISO 7425, Part 1.

\* Only from PW42 and the following Series No.; PW40 and PW41 without sealing and supporting bulge.

### APPLICATION EXAMPLES

The Zurcon® Wynseal is the recommended element for double acting pistons of hydraulic components in various sectors such as:

- Machine tools
- Forklifts and handling machinery
- Agriculture
- Industrial hydraulic light to medium duty

### OPERATING CONDITIONS

<b>Pressure:</b>	Up to 25 MPa (Z20N)
<b>Speed:</b>	Up to 0.5 m/s
<b>Temperature:</b>	-35 °C to +110 °C
<b>Media:</b>	Mineral oil-based hydraulic fluids

### IMPORTANT NOTE

The above data are maximum values and cannot be used at the same time, e.g. the maximum operating speed depends on material type, pressure, temperature and gap value. Temperature range also depends on media.

### MATERIALS

Wynseal: Zurcon® Z20, 93 Shore A  
 O-Ring: NBR 70 Shore A  
 Set reference: Z20N





## ■ Installation Recommendation

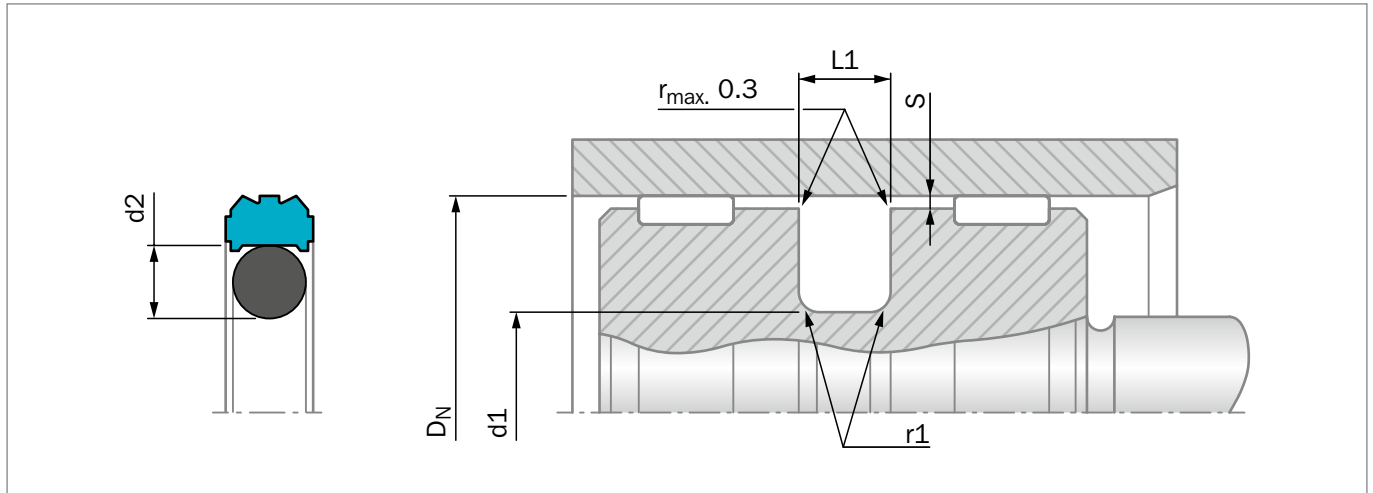


Figure 145: Installation Drawing

**Table 132: Installation Dimensions**

Series No.	Groove Diameter	Groove Width	Radius	Radial Clearance	O-Ring Cross Section
	d1 h9	L1 +0.2	r1	S <sub>max</sub>	d2
PW40	DN - 4,9	2.2	0.4	0.20	1.78
PW41	DN - 7.5	3.2	0.6	0.25	2.62
PW42	DN - 11.0	4.2	1.0	0.25	3.53
PW43	DN - 15.5	6.3	1.3	0.30	5.33
PW44	DN - 21.0	8.1	1.8	0.30	7.00

### ORDERING EXAMPLE

Wynseal for ISO groove

<b>Bore Diameter:</b>	D <sub>N</sub> = 63 mm
<b>Series No.:</b>	PW43
<b>TSS Part No.:</b>	PW4300630 from Table 133
<b>Material Code:</b>	Z20
<b>O-Ring Material Code:</b>	N
<b>Set Code:</b>	Z20N

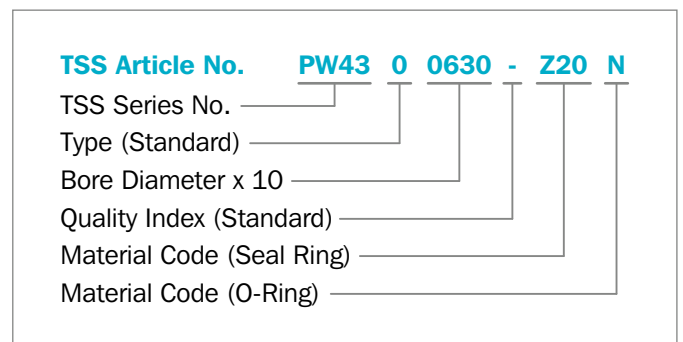




Table 133: Installation Dimensions / TSS Part No.

Bore Diameter	Groove Diameter	Groove Width	TSS Part No.	Bore Diameter	Groove Diameter	Groove Width	TSS Part No.
D <sub>N</sub>	d <sub>1</sub>	L <sub>1</sub>		D <sub>N</sub>	d <sub>1</sub>	L <sub>1</sub>	
H9	h9	+0.2		H9	h9	+0.2	
12.0	7.1	2.2	PW4000120	95.0	79.5	6.3	PW4300950
12.0	4.5	3.2	PW4100120	<b>100.0</b>	<b>84.5</b>	<b>6.3</b>	<b>PW4301000</b>
<b>16.0</b>	<b>8.5</b>	<b>3.2</b>	<b>PW4100160</b>	105.0	89.5	6.3	PW4301050
<b>20.0</b>	<b>12.5</b>	<b>3.2</b>	<b>PW4100200</b>	110.0	94.5	6.3	PW4301100
22.0	14.5	3.2	PW4100220	115.0	99.5	6.3	PW4301150
24.0	16.5	3.2	PW4100240	120.0	104.5	6.3	PW4301200
<b>25.0</b>	<b>17.5</b>	<b>3.2</b>	<b>PW4100250</b>	<b>125.0</b>	<b>109.5</b>	<b>6.3</b>	<b>PW4301250</b>
<b>25.0</b>	<b>14.0</b>	<b>4.2</b>	<b>PW4200250</b>	<b>125.0</b>	<b>104.0</b>	<b>8.1</b>	<b>PW4401250</b>
30.0	22.5	3.2	PW4100300	130.0	114.5	6.3	PW4301300
<b>32.0</b>	<b>24.5</b>	<b>3.2</b>	<b>PW4100320</b>	135.0	114.0	8.1	PW4401350
<b>32.0</b>	<b>21.0</b>	<b>4.2</b>	<b>PW4200320</b>	140.0	119.0	8.1	PW4401400
35.0	27.5	3.2	PW4100350	150.0	129.0	8.1	PW4401500
35.0	24.0	4.2	PW4200350	<b>160.0</b>	<b>139.0</b>	<b>8.1</b>	<b>PW4401600</b>
36.0	28.5	3.2	PW4100360	170.0	149.0	8.1	PW4401700
38.0	30.5	3.2	PW4100380	180.0	159.0	8.1	PW4401800
<b>40.0</b>	<b>32.5</b>	<b>3.2</b>	<b>PW4100400</b>	190.0	169.0	8.1	PW4401900
<b>40.0</b>	<b>29.0</b>	<b>4.2</b>	<b>PW4200400</b>	<b>200.0</b>	<b>179.0</b>	<b>8.1</b>	<b>PW4402000</b>
45.0	34.0	4.2	PW4200450	210.0	189.0	8.1	PW4402100
45.0	29.5	6.3	PW4300450	220.0	199.0	8.1	PW4402200
<b>50.0</b>	<b>39.0</b>	<b>4.2</b>	<b>PW4200500</b>	230.0	209.0	8.1	PW4402300
50.0	34.5	6.3	PW4300500	<b>250.0</b>	<b>229.0</b>	<b>8.1</b>	<b>PW4402500</b>
52.0	36.5	6.3	PW4300520	300.0	279.0	8.1	PW4403000
55.0	44.0	4.2	PW4200550				
55.0	39.5	6.3	PW4300550				
56.0	45.0	4.2	PW4200560				
57.0	46.0	4.2	PW4200570				
60.0	49.0	4.2	PW4200600				
60.0	44.5	6.3	PW4300600				
<b>63.0</b>	<b>52.0</b>	<b>4.2</b>	<b>PW4200630</b>				
<b>63.0</b>	<b>47.5</b>	<b>6.3</b>	<b>PW4300630</b>				
65.0	54.0	4.2	PW4200650				
65.0	49.5	6.3	PW4300650				
70.0	59.0	4.2	PW4200700				
70.0	54.5	6.3	PW4300700				
75.0	64.0	4.2	PW4200750				
75.0	59.5	6.3	PW4300750				
<b>80.0</b>	<b>69.0</b>	<b>4.2</b>	<b>PW4200800</b>				
<b>80.0</b>	<b>64.5</b>	<b>6.3</b>	<b>PW4300800</b>				
85.0	69.5	6.3	PW4300850				
90.0	74.5	6.3	PW4300900				

The sizes printed in **bold** type are suitable for grooves to ISO 7425-1.  
Additional dimensions can be delivered on request.

---

! This page is intentionally left blank.

# Zurcon® Wynseal M



---

Double-acting

---

Rubber-energized plastic-faced seal

**Material:**

Turcon®, Zurcon® and Elastomer

---



---

! This page is intentionally left blank.



## Zurcon® Wynseal M



### Description

Zurcon® Wynseal M is a modified machined version, of the Zurcon® Wynseal design.

Wynseal M is a double-acting seal consisting of a Zurcon® or Turcon® seal ring and an O-Ring as energizing element – Figure 146.

The seal is designed with a seal edge profile. Two seal edges act as primary seal for pressures from both sides and prevent build-up of hydrodynamic pressure over the seal profile and the risk of blow-by effect. The central sealing and supporting rib increases the sealing effect\*.

Radial notches are provided on both sides to provide activation of the energizing O-Ring. These ensure direct pressure loading of the seal under all operating conditions.

Installation groove is identical to that of Turcon® Glyd Ring®.

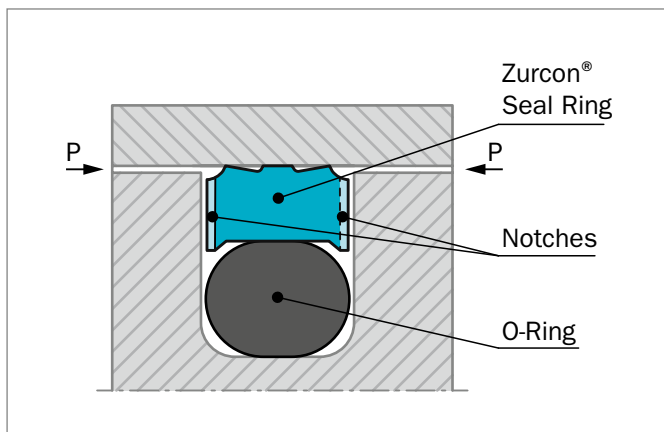


Figure 146: Zurcon® Wynseal M

\* Only from PW62 and the following Series No.; PW60 is without seal edge profile and PW61 is without supporting rib.

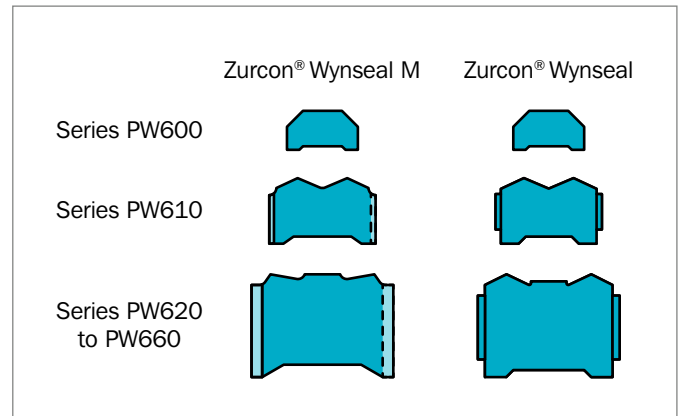


Figure 147: Zurcon® Wynseal M and Zurcon® Wynseal profiles

### ADVANTAGES

- High static and dynamic sealing effect
- High abrasion resistance (Zurcon® materials)
- Simple groove design, one-piece piston possible
- Diameter range - from 8 to 2,700 mm
- Grooves according to ISO 7425-1
- Low friction
- Higher temperature (Turcon® materials)
- Higher pressure
- High chemical resistance

### APPLICATION EXAMPLES

Zurcon® Wynseal M is used as double-acting piston seal for hydraulic components in applications such as:

- Machine tools
- Forklifts and handling machinery
- Agriculture
- Industrial hydraulics light to medium duty



## OPERATING CONDITIONS

<b>Pressure:</b>	Up to 50 MPa
<b>Speed:</b>	Up to 10 m/s
<b>Temperature:</b>	-45 °C to +200 °C* depending on seal and O-Ring material
<b>Media:</b>	Mineral oil-based hydraulic fluids, flame retardant hydraulic fluids, environmentally friendly hydraulic fluids (bio-oils), phosphate ester, water and others, depending on temperature, seal and O-Ring material compatibility - see Table 134.
<b>Clearance:</b>	The maximum permissible radial clearance $S_{max}$ is shown in Table 135, as a function of the operating pressure and functional diameter.

### IMPORTANT NOTE

The above data are maximum values and cannot be used at the same time, e.g. the maximum operating speed depends on material type, pressure, temperature and gap value. Temperature range also depends on media.

\* In the case of unpressurized piston applications in temperatures below 0 °C please contact your local Customer Solution Center for more information!

## INSTALLATION INSTRUCTIONS

Wynseal® M is installed according to information on page 245 to page 249.

Closed groove installation according to dimensions in Table 80 page 249.

## RECOMMENDED MATERIALS

The following material combinations have proven effective for hydraulic applications:

### Wynseal M in Zurcon® Z54

For light to medium hydraulic applications with linear movements in mineral oils and other media with good lubrication:

O-Ring: NBR 70 Shore A N

Set code: Z54N

### Wynseal M in Turcon® M12

All round material for light to heavy hydraulic applications linear, short stroke or helical movements in mineral oils, flame retardant hydraulic fluids, phosphate ester, bio-oils or fluids having low lubricating properties:

O-Ring: NBR 70 Shore A N  
FKM 70 Shore A V

Set code: M12N or M12V

For specific applications, all Turcon® materials are available.

Other material combinations are listed in Table 134.

**Table 134: Turcon® and Zurcon® Materials for Wynseal M**

Material, Applications, Properties	Code	O-Ring Material Shore A	Code	O-Ring Operating Temp. * °C	Mating Surface Material	MPa max. Dynamic
<b>Turcon® M12</b> First material choice for seals in linear motion Overall improved properties For new constructions and updating For all commonly applied hydraulic fluids including fluids with low lubrication performance Lowest friction and best sliding properties Lowest wear on seals Improved absorption of abrasive contaminants Low wear or abrasion of counter surface BAM tested Mineral fiber and Additives filled Color: Dark gray	M12	NBR 70	N	-30 to +100	Steel	35
		NBR 70 Low temp.	T	-45 to +80	Steel hardened Cast iron	
		FKM 70	V	-10 to +200	Stainless steel Titanium	
<b>Turcon® T08</b> For lubricating fluids and linear motion Very high compressive strength and extrusion resistance Hard counter surfaces is recommended Bronze filled Color: Light to dark brown, which may have variations in shading	T08	NBR 70	N	-30 to +100	Steel hardened	50
		NBR 70 Low temp.	T	-45 to +80	Cast iron	
		FKM 70	V	-10 to +200		
<b>Turcon® T40</b> For lubricating and non-lubricating fluids High frequency and short strokes Water hydraulics Surface texture is not suitable for gas sealing Carbon fiber filled Color: Gray	T40	NBR 70	N	-30 to +100	Steel	25
		NBR 70 Low temp.	T	-45 to +80	Steel hardened Cast iron	
		FKM 70	V	-10 to +200	Stainless steel Aluminum	
		EPDM 70	E**	-45 to +145		
<b>Turcon® T46</b> For lubricated hydraulics in linear motion High compressive strength High extrusion resistance Very good sliding and wear properties BAM tested Bronze filled Color: Light to dark brown, which may have variations in shading	T46	NBR 70	N	-30 to +100	Steel hardened	35
		NBR 70 Low temp.	T	-45 to +80	Cast iron	
		FKM 70	V	-10 to +200		

Table continues on next page





Material, Applications, Properties	Code	O-Ring Material Shore A	Code	O-Ring Operating Temp.* °C	Mating Surface Material	MPa max. Dynamic
<b>Zurcon® Z53***</b> For mineral oil based fluids Very high abrasion and extrusion resistance For counter surface with rougher surface finish Limited chemical resistance Max. working temperature 110 °C Cast polyurethane Color: Yellow to light-brown	Z53	NBR 70	N	-30 to +100	Steel	45
		NBR 70 Low temp.	T	-45 to +80	Steel hardened Cast iron Stainless steel Ceramic coating	
<b>Zurcon® Z54***</b> For mineral oil based fluids Linear and slowly turning movements High abrasion resistance For counter surface with rougher surface finish Good extrusion resistance Limited chemical resistance Max. working temperature 110 °C Cast polyurethane Color: Turquoise	Z54	NBR 70	N	-30 to +100	Steel	25
		NBR 70 Low temp.	T	-45 to +80	Steel hardened Steel chrome plated (rod) Cast iron Stainless steel Ceramic coating	
<b>Zurcon® Z80</b> For lubricating and non-lubricating fluids Water based fluids, air and gases Dry air pneumatics High abrasion and extrusion resistance For service in abrasive conditions and media with particles Good chemical resistance Limited temperature capability (-60 to +80 °C) UHMWPE (Ultra High Molecular Weight Polyethylene) Color: White to off-white	Z80	NBR 70	N	-30 to (+100)	Steel	30
		NBR 70 Low temp.	T	-45 to +80	Steel hardened Stainless steel	
		EPDM 70	E**	-45 to (+145)	Aluminum Bronze Ceramic coating	

\* The O-Ring Operation Temperature is only valid in mineral hydraulic oil (except EPDM).

\*\* Material not suitable for mineral oils.

\*\*\* Max. diameter 2,300 mm.

BAM: Tested by "Bundesanstalt Materialprüfung, Germany".

  Highlighted materials are recommended.



## Installation Recommendation

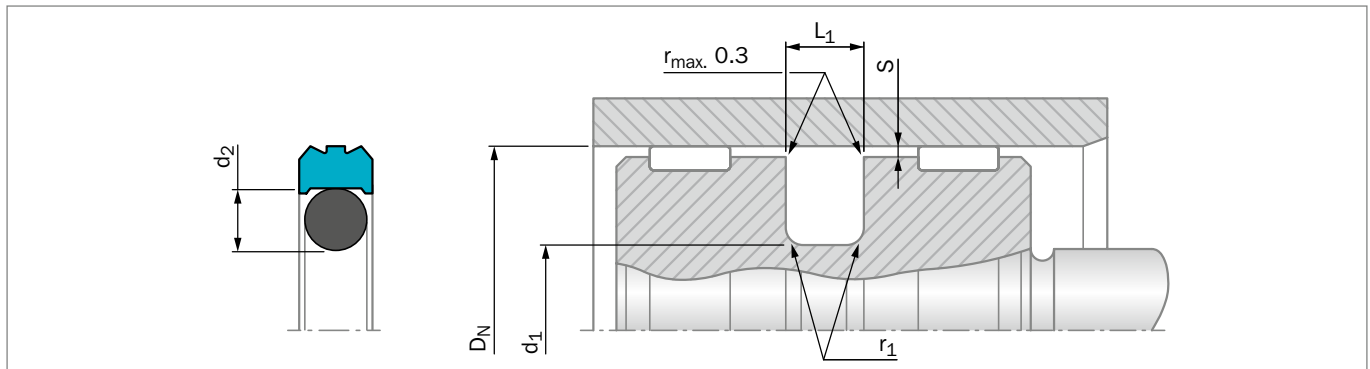


Figure 148: Installation Drawing

Table 135: Installation Dimensions – Standard Recommendations

Series No.	Bore Diameter $D_N$ H9		Groove Diameter $d_1$ h9	Groove Width $L_1$ +0.2/-0	Radius $r_1$ max	Radial Clearance $S_{max}^*$			O-Ring Cross Section $d_2$
	Standard Application	Available Range				10 MPa	20 MPa	40 MPa	
PW600	8 - 14.9	8 - 140	$D_N - 4.9$	2.20	0.4	0.40	0.30	0.20	1.78
PW610	15 - 39.9	12 - 140	$D_N - 7.5$	3.20	0.6	0.60	0.50	0.30	2.62
PW620	40 - 79.9	15 - 320	$D_N - 11.0$	4.20	1.0	0.70	0.50	0.30	3.53
PW630	80 - 132.9	40 - 400	$D_N - 15.5$	6.30	1.3	0.80	0.60	0.40	5.33
PW640	133 - 329.9	80 - 700	$D_N - 21.0$	8.10	1.8	0.80	0.60	0.40	7.00
PW680	330 - 669.9	133 - 999.9	$D_N - 24.5$	8.10	1.8	0.90	0.70	0.50	7.00
PW650	670 - 999.9	330 - 999.9	$D_N - 28.0$	9.50	2.5	1.00	0.80	0.60	8.40
PW65X	1,000 - 1,200	-	$D_N - 28.0$	9.50	2.5	1.00	0.80	0.60	8.40
PW660**	-	670 - 999.9	$D_N - 38.0$	13.80	3.0	1.20	0.90	0.70	12.00
PW66X**	1,000 - 2,700***		$D_N - 38.0$	13.80	3.0	1.20	0.90	0.70	12.00

\* At pressures > 40 MPa use diameter tolerance H8/f8 (bore/piston) in the area of the seal or consult your local Customer Solution Center for alternative material or profiles.

Slydring® / Wear Rings are not applicable at very small radial clearances please consult the Slydring® section in this catalog.

\*\* O-Rings with 12 mm cross section are delivered as special profile ring.

\*\*\* Z53 and Z54 max diameter 2,300 mm.

## ORDERING EXAMPLE

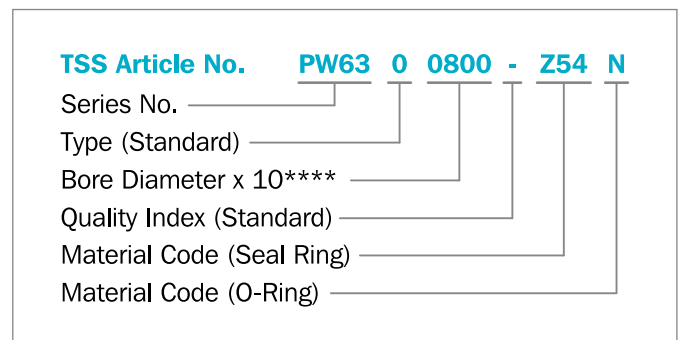
Zurcon® Wynseal M complete with O-Ring, standard application:

**Series:** PW630 from Table 135

**Bore Diameter:**  $D_N = 80.0$  mm

**TSS Part No.:** PW6300800 from Table 136

Select the material from Table 134. The corresponding code numbers are appended to the TSS Part No. Together these form the TSS Article Number. The TSS Article Number for all intermediate sizes can be determined by following the example:



\*\*\*\* For diameters  $D_N \geq 1,000.0$  mm multiply only by factor 1.  
Example: PW66X for diameter  $D_N = 1,200.0$  mm  
TSS Article No.: PW66X1200 - Z54



**Table 136: Installation Dimensions / TSS Part No.**

Bore Dia.	Groove Dia.	Groove Width	TSS Part No.	O-Ring Dimensions	Bore Dia.	Groove Dia.	Groove Width	TSS Part No.	O-Ring Dimensions
D <sub>N</sub>	d <sub>1</sub>	L <sub>1</sub>			D <sub>N</sub>	d <sub>1</sub>	L <sub>1</sub>		
H9	h9	+0.2			H9	h9	+0.2		
<b>8.0</b>	<b>3.1</b>	<b>2.2</b>	<b>PW6000080</b>	<b>2.90 x 1.78</b>	70.0	59.0	4.2	<b>PW6200700</b>	56.74 x 3.53
<b>10.0</b>	<b>5.1</b>	<b>2.2</b>	<b>PW6000100</b>	<b>4.80 x 1.80</b>	70.0	54.5	6.3	<b>PW6300700</b>	53.34 x 5.33
<b>12.0</b>	<b>7.1</b>	<b>2.2</b>	<b>PW6000120</b>	<b>6.70 x 1.80</b>	75.0	64.0	4.2	<b>PW6200750</b>	63.09 x 3.53
14.0	9.1	2.2	<b>PW6000140</b>	8.75 x 1.80	75.0	59.5	6.3	<b>PW6300750</b>	56.52 x 3.53
15.0	7.5	3.2	<b>PW6100150</b>	7.59 x 2.62	<b>80.0</b>	<b>69.0</b>	<b>4.2</b>	<b>PW6200800</b>	<b>66.27 x 3.53</b>
<b>16.0</b>	<b>11.1</b>	<b>2.2</b>	<b>PW6000160</b>	<b>10.82 x 1.78</b>	<b>80.0</b>	<b>64.5</b>	<b>6.3</b>	<b>PW6300800</b>	<b>62.87 x 5.33</b>
<b>16.0</b>	<b>8.5</b>	<b>3.2</b>	<b>PW6100160</b>	<b>7.59 x 2.62</b>	<b>80.0</b>	<b>59.0</b>	<b>8.1</b>	<b>PW6400800</b>	<b>58.00 x 7.00</b>
18.0	13.1	2.2	<b>PW6000180</b>	12.42 x 1.78	85.0	69.5	6.3	<b>PW6300850</b>	69.22 x 5.33
18.0	10.5	3.2	<b>PW6100180</b>	9.19 x 2.62	85.0	64.0	8.1	<b>PW6400850</b>	63.00 x 7.00
<b>20.0</b>	<b>15.1</b>	<b>2.2</b>	<b>PW6000200</b>	<b>14.00 x 1.78</b>	90.0	79.0	4.2	<b>PW6200900</b>	78.97 x 3.53
<b>20.0</b>	<b>12.5</b>	<b>3.2</b>	<b>PW6100200</b>	<b>12.37 x 2.62</b>	90.0	74.5	6.3	<b>PW6300900</b>	72.39 x 5.33
22.0	17.1	2.2	<b>PW6000220</b>	17.17 x 1.78	90.0	69.0	8.1	<b>PW6400900</b>	68.00 x 7.00
22.0	14.5	3.2	<b>PW6100220</b>	13.94 x 2.62	95.0	84.0	4.2	<b>PW6200950</b>	82.14 x 3.53
24.0	16.5	3.2	<b>PW6100240</b>	15.54 x 2.62	95.0	79.5	6.3	<b>PW6300950</b>	78.74 x 5.33
<b>25.0</b>	<b>20.1</b>	<b>2.2</b>	<b>PW6000250</b>	<b>18.77 x 1.78</b>	95.0	74.0	8.1	<b>PW6400950</b>	73.00 x 7.00
<b>25.0</b>	<b>17.5</b>	<b>3.2</b>	<b>PW6100250</b>	<b>17.12 x 2.62</b>	<b>100.0</b>	<b>89.0</b>	<b>4.2</b>	<b>PW6201000</b>	<b>88.49 x 3.53</b>
<b>25.0</b>	<b>14.0</b>	<b>4.2</b>	<b>PW6200250</b>	<b>13.87 x 3.53</b>	<b>100.0</b>	<b>84.5</b>	<b>6.3</b>	<b>PW6301000</b>	<b>81.92 x 5.33</b>
28.0	20.5	3.2	<b>PW6100280</b>	20.29 x 2.62	<b>100.0</b>	<b>79.0</b>	<b>8.1</b>	<b>PW6401000</b>	<b>78 x 7.00</b>
30.0	22.5	3.2	<b>PW6100300</b>	21.89 x 2.62	105.0	94.0	4.2	<b>PW6201050</b>	91.67 x 3.53
<b>32.0</b>	<b>27.1</b>	<b>2.2</b>	<b>PW6000320</b>	<b>26.70 x 1.78</b>	105.0	89.5	6.3	<b>PW6301050</b>	88.27 x 5.33
<b>32.0</b>	<b>24.5</b>	<b>3.2</b>	<b>PW6100320</b>	<b>23.47 x 2.62</b>	110.0	99.0	4.2	<b>PW6201100</b>	98.02 x 3.53
<b>32.0</b>	<b>21.0</b>	<b>4.2</b>	<b>PW6200320</b>	<b>20.22 x 3.53</b>	110.0	94.5	6.3	<b>PW6301100</b>	91.44 x 5.33
35.0	27.5	3.2	<b>PW6100350</b>	26.64 x 2.62	110.0	89.0	8.1	<b>PW6401100</b>	88.00 x 7.00
35.0	24.0	4.2	<b>PW6200350</b>	23.40 x 3.53	115.0	99.5	6.3	<b>PW6301150</b>	97.79 x 5.33
36.0	28.5	3.2	<b>PW6100360</b>	28.24 x 2.62	120.0	109.0	4.2	<b>PW6201200</b>	107.54 x 3.53
38.0	30.5	3.2	<b>PW6100380</b>	29.82 x 2.62	120.0	104.5	6.3	<b>PW6301200</b>	100.97 x 5.33
40.0	32.5	3.2	<b>PW6100400</b>	31.42 x 2.62	120.0	99.0	8.1	<b>PW6401200</b>	98.00 x 7.00
40.0	29.0	4.2	<b>PW6200400</b>	28.17 x 3.53	<b>125.0</b>	<b>114.0</b>	<b>4.2</b>	<b>PW6201250</b>	<b>113.89 x 3.53</b>
42.0	31.0	4.2	<b>PW6200420</b>	29.75 x 3.53	<b>125.0</b>	<b>109.5</b>	<b>6.3</b>	<b>PW6301250</b>	<b>107.32 x 5.33</b>
45.0	34.0	4.2	<b>PW6200450</b>	32.92 x 3.53	<b>125.0</b>	<b>104.0</b>	<b>8.1</b>	<b>PW6401250</b>	<b>103.00 x 7.00</b>
48.0	37.0	4.2	<b>PW6200480</b>	36.09 x 3.53	130.0	114.5	6.3	<b>PW6301300</b>	113.67 x 5.33
<b>50.0</b>	<b>42.5</b>	<b>3.2</b>	<b>PW6100500</b>	<b>40.94 x 2.62</b>	130.0	109.0	8.1	<b>PW6401300</b>	108.00 x 7.00
<b>50.0</b>	<b>39.0</b>	<b>4.2</b>	<b>PW6200500</b>	<b>37.70 x 3.53</b>	135.0	114.0	8.1	<b>PW6401350</b>	113.67 x 7.00
<b>50.0</b>	<b>34.5</b>	<b>6.3</b>	<b>PW6300500</b>	<b>32.69 x 5.33</b>	140.0	124.5	6.3	<b>PW6301400</b>	123.19 x 5.33
52.0	41.0	4.2	<b>PW6200520</b>	40.87 x 3.53	140.0	119.0	8.1	<b>PW6401400</b>	116.84 x 7.00
55.0	44.0	4.2	<b>PW6200550</b>	44.04 x 3.53	150.0	134.5	6.3	<b>PW6301500</b>	132.72 x 5.33
56.0	45.0	4.2	<b>PW6200560</b>	44.04 x 3.53	150.0	129.0	8.1	<b>PW6401500</b>	126.37 x 7.00
60.0	49.0	4.2	<b>PW6200600</b>	47.22 x 3.53	<b>160.0</b>	<b>144.5</b>	<b>6.3</b>	<b>PW6301600</b>	<b>142.24 x 5.33</b>
<b>63.0</b>	<b>52.0</b>	<b>4.2</b>	<b>PW6200630</b>	<b>50.39 x 3.53</b>	<b>160.0</b>	<b>139.0</b>	<b>8.1</b>	<b>PW6401600</b>	<b>135.89 x 7.00</b>
<b>63.0</b>	<b>47.5</b>	<b>6.3</b>	<b>PW6300630</b>	<b>46.99 x 5.33</b>	170.0	149.0	8.1	<b>PW6401700</b>	145.42 x 7.00
65.0	54.0	4.2	<b>PW6200650</b>	53.57 x 3.53	180.0	164.5	6.3	<b>PW6301800</b>	164.47 x 5.33



Bore Dia.	Groove Dia.	Groove Width	TSS Part No.	O-Ring Dimensions
D <sub>N</sub>	d <sub>1</sub>	L <sub>1</sub>		
H9	h9	+0.2		
180.0	159.0	8.1	PW6401800	158.12 x 7.00
190.0	169.0	8.1	PW6401900	164.47 x 7.00
<b>200.0</b>	<b>184.5</b>	<b>6.3</b>	<b>PW6302000</b>	<b>183.52 x 5.33</b>
<b>200.0</b>	<b>179.0</b>	<b>8.1</b>	<b>PW6402000</b>	<b>177.17 x 7.00</b>
210.0	189.0	8.1	PW6402100	183.52 x 7.00
220.0	199.0	8.1	PW6402200	196.22 x 7.00
230.0	214.5	6.3	PW6302300	208.92 x 5.33
230.0	209.0	8.1	PW6402300	208.92 x 7.00
240.0	219.0	8.1	PW6402400	215.27 x 7.00
<b>250.0</b>	<b>229.0</b>	<b>8.1</b>	<b>PW6402500</b>	<b>227.97 x 7.00</b>
<b>250.0</b>	<b>225.5</b>	<b>8.1</b>	<b>PW6802500</b>	<b>215.27 x 7.00</b>
<b>250.0</b>	<b>134.5</b>	<b>6.3</b>	<b>PW6302500</b>	<b>234.32 x 5.33</b>
260.0	239.0	8.1	PW6402600	240.67 x 7.00
270.0	249.0	8.1	PW6402700	240.67 x 7.00
280.0	259.0	8.1	PW6402800	253.37 x 7.00
290.0	269.0	8.1	PW6402900	266.07 x 7.00
300.0	279.0	8.1	PW6403000	278.77 x 7.00
300.0	275.5	8.1	PW6803000	266.07 x 7.00
<b>320.0</b>	<b>299.0</b>	<b>8.1</b>	<b>PW6403200</b>	<b>291.47 x 7.00</b>
<b>320.0</b>	<b>295.5</b>	<b>8.1</b>	<b>PW6803200</b>	<b>291.47 x 7.00</b>
350.0	325.5	8.1	PW6803500	316.87 x 7.00
360.0	335.5	8.1	PW6803600	329.57 x 7.00
380.0	355.5	8.1	PW6803800	354.97 x 7.00
<b>400.0</b>	<b>375.5</b>	<b>8.1</b>	<b>PW6804000</b>	<b>367.67 x 7.00</b>
450.0	425.5	8.1	PW6804500	417.96 x 7.00
<b>500.0</b>	<b>475.5</b>	<b>8.1</b>	<b>PW6805000</b>	<b>468.76 x 7.00</b>
600.0	575.5	8.1	PW6806000	557.66 x 7.00
700.0	672.0	9.5	PW6507000	670.00 x 8.40
780.0	752.0	9.5	PW6507800	750.00 x 8.40
800.0	772.0	9.5	PW6508000	770.00 x 8.40
900.0	872.0	9.5	PW6509000	870.00 x 8.40
1,000.0	972.0	9.5	PW65X1000	970.00 x 8.40
1,000.0	962.0	13.8	PW66X1000	960.00 x 12.00
1,200.0	1,172.0	9.5	PW65X1200	1,170.00 x 8.40
1,200.0	1,162.0	13.8	PW66X1200	1,160.00 x 12.00
1,500.0	1,462.0	13.8	PW66X1500	1,460.00 x 12.00
2,000.0	1,962.0	13.8	PW66X2000	1,960.00 x 12.00
2,700.0	2,662.0	13.8	PW66X2700	2,660.00 x 12.00

The bore diameters in **bold** type comply with the recommendations of ISO 3320. Other dimensions and all intermediate sizes up to 2,700 mm diameter including imperial (inch) sizes can be supplied.

All O-Rings with 12 mm cross section are delivered as special profile ring.

---

! This page is intentionally left blank.

# POLYPAC® PHD/P



---

Double-acting

---

Heavy Duty, High Pressure

---

Excellent Leakage Control

**Material:**

Zurcon® , NBR Elastomer + POM

---



---

! This page is intentionally left blank.



## ■ PHD/P Seal

### ■ Description



The PHD/P Seal is a high-pressure heavy-duty piston seal with excellent leakage control and superior extrusion and wear resistance

The PHD/P seal is a combination of a Zurcon® polyurethane slipper seal energised by an elastomer profile ring and completed with two Back-up rings (POM). It is manufactured with a predefined interference fit, which together with the squeeze of the elastomer part ensures a good sealing effect even at low system pressure. At higher pressures the elastomer part is energised by the system pressure and consequently activates the slipper seal in the radial direction.

The Back-up rings prevent the slipper seal from extrusion and ensure a long service life even under harsh conditions.

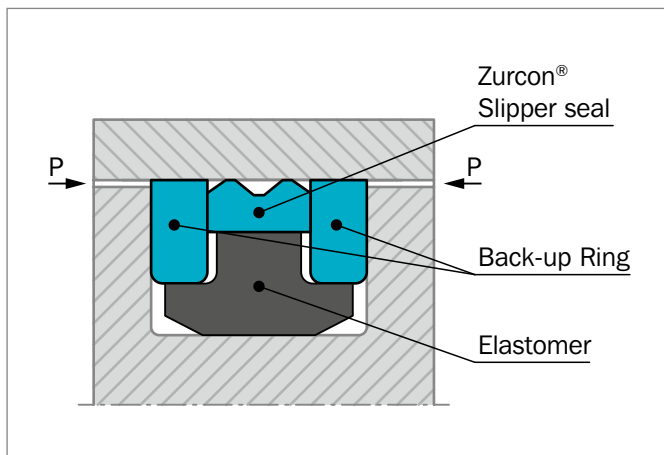


Figure 149: PHD/P Seal

### ADVANTAGES

- Simple groove design
- Excellent sealing effect
- Excellent wear resistance
- Increased clearance possible
- Long service life

### APPLICATION EXAMPLES

The PHD/P Seal is the recommended sealing element for double acting pistons of hydraulic cylinders working in very harsh conditions such as:

- Excavators
- Heavy duty cylinders

### OPERATING CONDITIONS

<b>Pressure:</b>	Up to 35 MPa
<b>Speed:</b>	Up to 0.5 m/s
<b>Temperature:</b>	-35 °C to +110 °C
<b>Media:</b>	Mineral oil-based hydraulic fluids

### IMPORTANT NOTE

The above data are maximum values and cannot be used at the same time, e.g. the maximum operating speed depends on material type, pressure, temperature and gap value. Temperature range also depends on media.

### MATERIALS

#### Standard Application

For hydraulic components in mineral oils or medium with good lubricating performance.

Slipper Seal: Zurcon® Z20 93 Shore A

Energiser: NBR 80 Shore A

Back-up rings: POM

Material code for the set: Z2053





## ■ Installation Recommendation

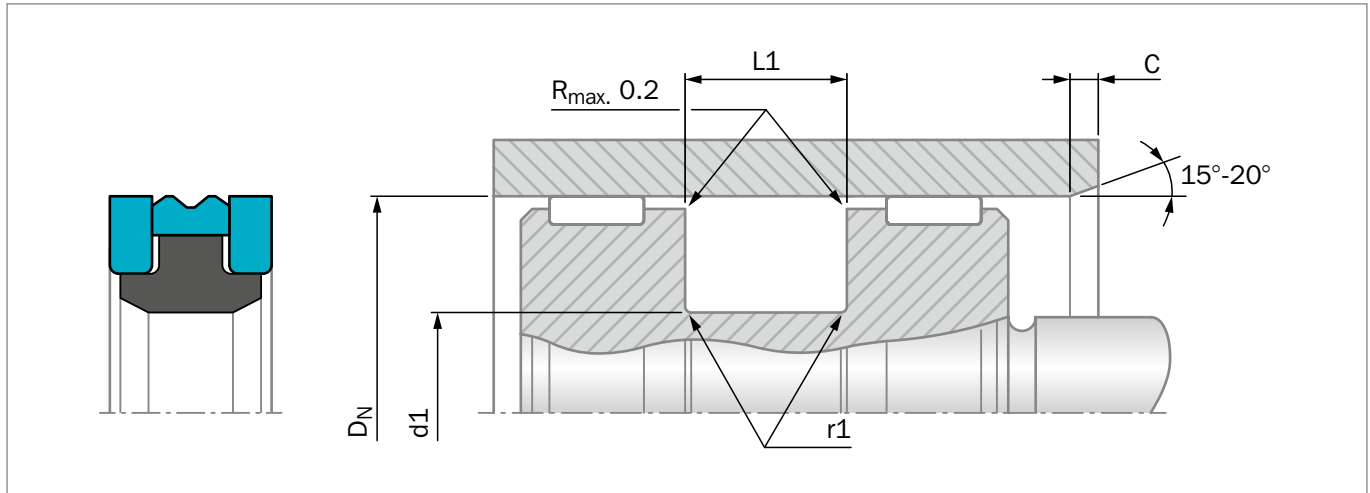


Figure 150: Installation Drawing

### ORDERING EXAMPLE

PHD/P Seal, complete.

<b>Bore Diameter:</b>	$D_N = 80.0 \text{ mm}$
<b>TSS Part No.:</b>	PKPOP0800
<b>Material Set-Code:</b>	Z2053
<b>Polypac Ref. No.:</b>	PHD 8065P

<b>TSS Article No.</b>	<b>PKPO P 0800 - Z2053</b>
TSS Series No.	PKPO
Type (Standard)	P
Bore Diameter x 10	0800
Quality Index (Standard)	-
Material Set-Code	Z2053

**Table 137: Installation Dimensions / TSS Part No.**

Bore Diameter	Groove Diameter	Groove Width	Inlet Chamfer	Radius	TSS Article No.	Polypac Ref. No.
$D_N$	$d1$	$L1$	$C$	$r1$		
H9	h9	+0.2				
50.0	36.0	9.0	5.0	0.3	<a href="#">PKPOP0500-Z2053</a>	PHD 5036P-Z20
55.0	41.0	9.0	5.0	0.3	<a href="#">PKPOP0550-Z2053</a>	PHD 5541P-Z20
60.0	46.0	9.0	5.0	0.3	<a href="#">PKPOP0600-Z2053</a>	PHD 6046P-Z20
63.0	48.0	11.0	5.0	0.5	<a href="#">PKPOP0630-Z2053</a>	PHD 6348P-Z20
65.0	50.0	11.0	5.0	0.5	<a href="#">PKPOP0650-Z2053</a>	PHD 6550P-Z20
70.0	55.0	11.0	5.0	0.5	<a href="#">PKPOP0700-Z2053</a>	PHD 7055P-Z20
75.0	60.0	11.0	5.0	0.5	<a href="#">PKPOP0750-Z2053</a>	PHD 7560P-Z20
80.0	65.0	11.0	5.0	0.5	<a href="#">PKPOP0800-Z2053</a>	PHD 8065P-Z20
85.0	70.0	11.0	5.0	0.5	<a href="#">PKPOP0850-Z2053</a>	PHD 8570P-Z20
90.0	75.0	11.0	5.0	0.5	<a href="#">PKPOP0900-Z2053</a>	PHD 9075P-Z20
95.0	80.0	11.0	5.0	0.5	<a href="#">PKPOP0950-Z2053</a>	PHD 9580P-Z20
100.0	85.0	12.5	5.0	0.5	<a href="#">PKPOP1000-Z2053</a>	PHD 10085P-Z20



Bore Diameter	Groove Diameter	Groove Width	Inlet Chamfer	Radius	TSS Article No.	Polypac Ref. No.
D <sub>N</sub>	d1	L1	C	r1		
H9	h9	+0.2				
105.0	90.0	12.5	5.0	0.5	<a href="#">PKPOP1050-Z2053</a>	PHD 10590P-Z20
110.0	95.0	12.5	5.0	0.5	<a href="#">PKPOP1100-Z2053</a>	PHD 11095P-Z20
115.0	100.0	12.5	5.0	0.5	<a href="#">PKPOP1150-Z2053</a>	PHD 115100P-Z20
120.0	105.0	12.5	5.0	0.5	<a href="#">PKPOP1200-Z2053</a>	PHD 120105P-Z20
125.0	102.0	16.0	6.5	0.6	<a href="#">PKPOP1250-Z2053</a>	PHD 125102P-Z20
130.0	107.0	16.0	6.5	0.6	<a href="#">PKPOP1300-Z2053</a>	PHD 130107P-Z20
135.0	112.0	16.0	6.5	0.6	<a href="#">PKPOP1350-Z2053</a>	PHD 135112P-Z20
140.0	117.0	16.0	6.5	0.6	<a href="#">PKPOP1400-Z2053</a>	PHD 140117P-Z20
145.0	122.0	16.0	6.5	0.6	<a href="#">PKPOP1450-Z2053</a>	PHD 145122P-Z20
150.0	127.0	16.0	6.5	0.6	<a href="#">PKPOP1500-Z2053</a>	PHD 150127P-Z20
155.0	132.0	16.0	6.5	0.6	<a href="#">PKPOP1550-Z2053</a>	PHD 155132P-Z20
160.0	137.0	16.0	6.5	0.6	<a href="#">PKPOP1600-Z2053</a>	PHD 160137P-Z20
165.0	142.0	16.0	6.5	0.6	<a href="#">PKPOP1650-Z2053</a>	PHD 165142P-Z20
170.0	147.0	16.0	6.5	0.6	<a href="#">PKPOP1700-Z2053</a>	PHD 170147P-Z20
180.0	157.0	16.0	6.5	0.6	<a href="#">PKPOP1800-Z2053</a>	PHD 180157P-Z20

Radial Clearance: For pressure up to 35 MPa 0.50

---

! This page is intentionally left blank.

# Compact Seal POLYPAC® - Duopac DPS/DPC



---

Double-acting

---

Combined seal and guide element

---

**Material:**

Fabric reinforced NBR and POM

---



---

! This page is intentionally left blank.



## DUOPAC rubber fabric reinforced compact seals Type DPS and DPC



### Description

The compact seals DUOPAC DPS and DPC types are double acting piston seals with integrated guide rings. DUOPAC has been designed to optimize the advantages of the materials selection:

- Fabric reinforcement with high mechanical strength, optimum thermal stability and lubricating properties is incorporated in the sealing element all over the dynamic contact area. For the DUOPAC DPC the reinforcement is extended on both sides to improve the extrusion resistance
- Nitrile based elastomer with optimum elasticity and low compression set provides the initial radial pre-load
- Acetal resin with improved form stability gives the Guide/backup rings high distortion and extrusion resistance

### TYPE DPS

The DPS profile has been designed for its installation in closed grooves. The radial dimension of the profile has been reduced to the minimum to allow the necessary deformation during installation in closed grooves.

Consequently its use must be limited to pressures up to 35 MPa.

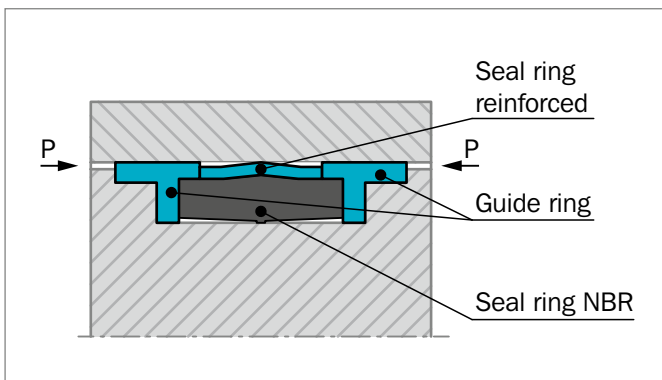


Figure 151: Compact Seal, Type DPS

### TYPE DPC

The DPC profile is much more robust and can therefore be used for pressure level up to 70 MPa.

An open groove is necessary.

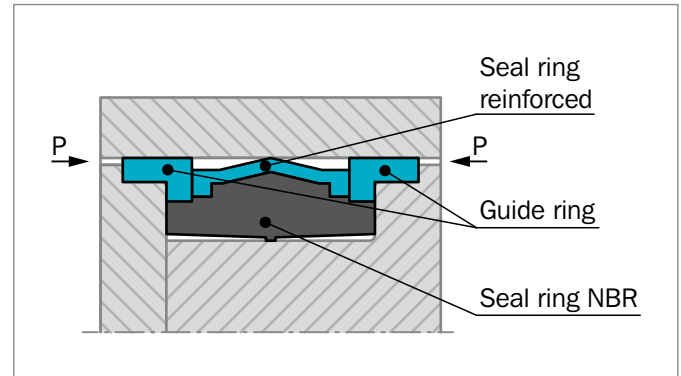


Figure 152: Compact Seal, Type DPC

### ADVANTAGES

- DPS can be installed into closed grooves but its use must consequently be limited to medium duty applications
- DPC are usually installed in open grooves in Heavy Duty applications (pressure peak up to 80 MPa)
- Improved abrasion resistance
- Excellent sealing effect in combination with good dynamic and static friction behavior

### APPLICATION EXAMPLES

The Compact seals are the recommended Sealing element for double acting Pistons of hydraulic components in following applications:

- Mining cylinders
- Presses
- Steel mills equipment
- Water hydraulic cylinders



## OPERATING CONDITIONS

For an optimum performance of the DUOPAC, the recommended tolerances and surface finish must be applied.

<b>Pressure:</b>	Up to 35 MPa DPS type Up to 70 MPa DPC type
<b>Speed:</b>	Up to 0.5 m/s
<b>Temperature:</b>	-30 °C to +130 °C
<b>Media:</b>	Mineral oil based hydraulic fluids, water/oil and water/glycol emulsions.

## IMPORTANT NOTE

The above data are maximum values and cannot be used at the same time, e.g. the maximum operating speed depends on material type, pressure, temperature and gap value.  
Temperature range also depends on media.

## MATERIALS

- The compact seals DUOPAC are available in the following material composition:

Sealing element: Rubber fabric reinforced NBR

Guide/Back-up Rings: POM

Material set-code: NOOOC



## ■ Installation Recommendation, Type DPS

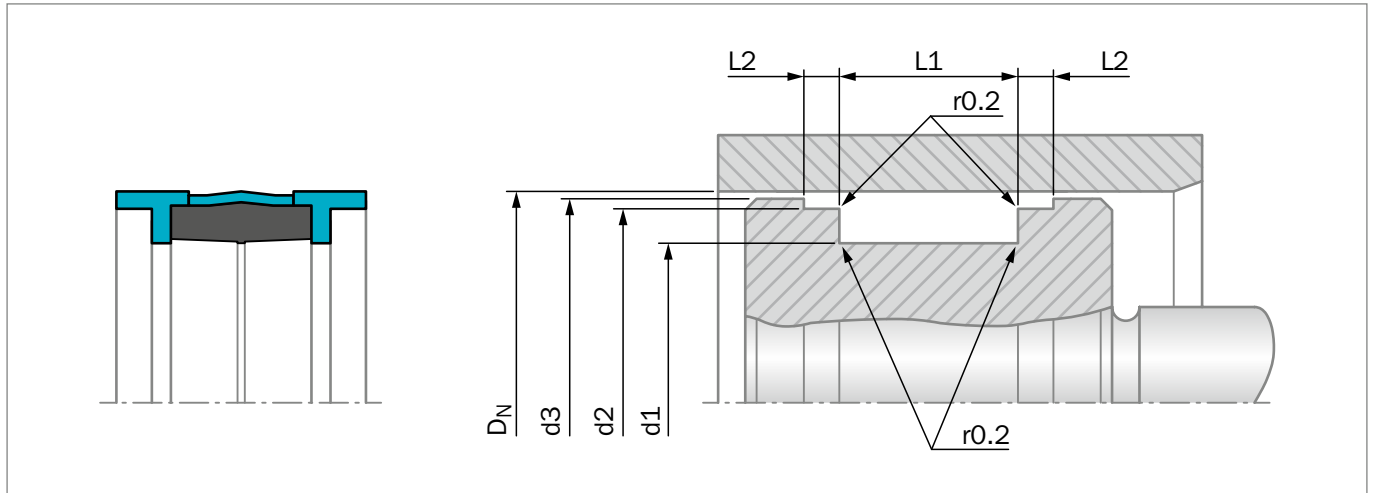


Figure 153: Installation Drawing

### ORDERING EXAMPLE

Compact Seal Type DPS

<b>Bore Diameter:</b>	$D_N = 80 \text{ mm}$
<b>Groove Diameter:</b>	$d1 = 66 \text{ mm}$
<b>Groove Width:</b>	$L1 = 22.5 \text{ mm}$
<b>TSS Part No.:</b>	PCE100800 from Table 138
<b>Material Set-Code:</b>	N000C

**TSS Article No.** **PCE1 0 0800 - N000C**

TSS Series No. ——— PCE1  
 Type (Standard) ——— 0  
 Bore Diameter x 10 ——— 0800  
 Quality Index (Standard) ———  
 Material Set-Code ——— N000C  
 Polypac Ref. No.: DPS 8066

**Table 138: Installation Dimensions / TSS Article No.**

Bore Diameter	Groove Dimensions					TSS Article No.	Description
	$D_N$	d1	L1	L2	d2		
H11	h9	+0.2	+0.1	h9	h11		
<b>25.0</b>	<b>17.0</b>	<b>10.0</b>	<b>4.0</b>	<b>22.0</b>	<b>24.0</b>	<b>PCE000250-N000C</b>	<b>DPS 2517/1</b>
32.0	24.0	15.5	3.2	28.0	31.4	PCE000320-N000C	DPS 3224
<b>32.0</b>	<b>24.0</b>	<b>10.0</b>	<b>4.0</b>	<b>29.0</b>	<b>31.0</b>	<b>PCE100320-N000C</b>	<b>DPS 3224/1</b>
35.0	27.0	15.5	3.2	31.0	34.4	PCE000350-N000C	DPS 3527
40.0	32.0	15.5	3.2	36.0	39.4	PCE000400-N000C	DPS 4032
<b>40.0</b>	<b>32.0</b>	<b>10.0</b>	<b>4.0</b>	<b>37.0</b>	<b>39.0</b>	<b>PCE100400-N000C</b>	<b>DPS 4032/1</b>
45.0	37.0	15.5	3.2	41.0	44.4	PCE000450-N000C	DPS 4537
50.0	38.0	20.5	4.2	46.0	49.4	PCE000500-N000C	DPS 5038
<b>50.0</b>	<b>40.0</b>	<b>12.5</b>	<b>4.0</b>	<b>47.0</b>	<b>49.0</b>	<b>PCE100500-N000C</b>	<b>DPS 5040/1</b>
55.0	43.0	20.5	4.2	51.0	54.4	PCE000550-N000C	DPS 5543
60.0	48.0	20.5	4.2	56.0	59.4	PCE000600-N000C	DPS 6048
63.0	51.0	20.5	4.2	59.0	62.4	PCE000630-N000C	DPS 6351





Bore Diameter	Groove Dimensions					TSS Article No.	Description
	D <sub>N</sub>	d1	L1	L2	d2		
H11	h9	+0.2	+0.1	h9	h11		
<b>63.0</b>	<b>53.0</b>	<b>12.5</b>	<b>4.0</b>	<b>60.0</b>	<b>62.0</b>	<b>PCE100630-N000C</b>	<b>DPS 6353/1</b>
65.0	53.0	20.5	4.2	61.0	64.4	PCE000650-N000C	DPS 6553
70.0	58.0	20.5	4.2	66.0	69.4	PCE000700-N000C	DPS 7058
75.0	63.0	20.5	4.2	71.0	74.4	PCE000750-N000C	DPS 7563
<b>80.0</b>	<b>65.0</b>	<b>20.0</b>	<b>5.0</b>	<b>76.0</b>	<b>78.5</b>	<b>PCE000800-N000C</b>	<b>DPS 8065/1</b>
80.0	66.0	22.5	5.2	76.0	79.4	PCE100800-N000C	DPS 8066
85.0	71.0	22.5	5.2	81.0	84.4	PCE000850-N000C	DPS 8571
90.0	76.0	22.5	5.2	86.0	89.4	PCE000900-N000C	DPS 9076
<b>100.0</b>	<b>85.0</b>	<b>20.0</b>	<b>5.0</b>	<b>96.0</b>	<b>98.5</b>	<b>PCE001000-N000C</b>	<b>DPS 10085/1</b>
100.0	86.0	22.5	5.2	96.0	99.4	PCE101000-N000C	DPS 10086
110.0	96.0	22.5	5.2	106.0	109.4	PCE001100-N000C	DPS 11096
120.0	106.0	22.5	5.2	116.0	119.4	PCE001200-N000C	DPS 120106
<b>125.0</b>	<b>105.0</b>	<b>25.0</b>	<b>6.3</b>	<b>120.0</b>	<b>123.0</b>	<b>PCE001250-N000C</b>	<b>DPS 125105/1</b>
125.0	108.0	26.5	7.2	121.0	124.4	PCE101250-N000C	DPS 125108
140.0	120.0	25.0	6.3	135.0	138.0	PCE001400-N000C	DPS 140120/1
140.0	123.0	26.5	7.2	136.0	139.4	PCE101400-N000C	DPS 140123
150.0	133.0	26.5	7.2	146.0	149.4	PCE001500-N000C	DPS 150133
<b>160.0</b>	<b>140.0</b>	<b>25.0</b>	<b>6.3</b>	<b>155.0</b>	<b>158.0</b>	<b>PCE001600-N000C</b>	<b>DPS 160140/1</b>
160.0	143.0	26.5	7.2	156.0	159.4	PCE101600-N000C	DPS 160143
180.0	163.0	26.5	7.2	176.0	179.4	PCE001800-N000C	DPS 180163
<b>200.0</b>	<b>170.0</b>	<b>36.0</b>	<b>12.5</b>	<b>192.0</b>	<b>197.0</b>	<b>PCE002000-N000C</b>	<b>DPS 200170/1</b>
200.0	180.0	31.5	9.2	196.0	199.4	PCE102000-N000C	DPS 200180
220.0	200.0	31.5	9.2	216.0	219.4	PCE002200-N000C	DPS 220200
250.0	230.0	31.5	9.2	246.0	249.4	PCE002500-N000C	DPS 250230

The bore diameters in **bold** type comply with the recommendations of ISO 6547.



## ■ Installation Recommendation, Type DPC

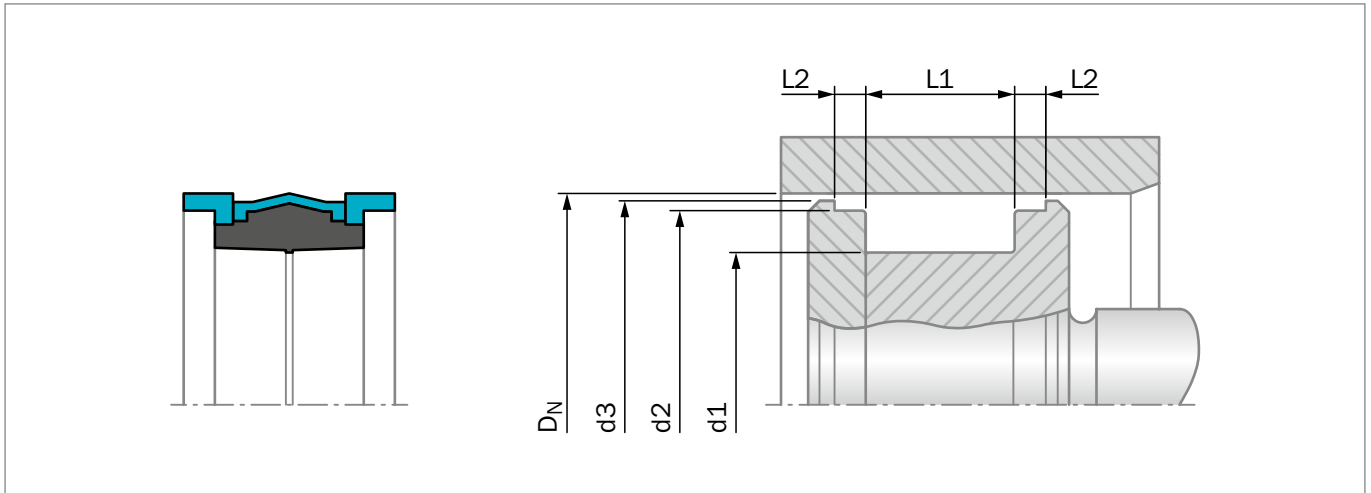


Figure 154: Installation Drawing

### ORDERING EXAMPLE

Compact Seal Type DPC

<b>Bore Diameter:</b>	$D_N = 80 \text{ mm}$
<b>Groove Diameter:</b>	$d1 = 60 \text{ mm}$
<b>Groove Width:</b>	$L1 = 22.4 \text{ mm}$
<b>TSS Part No.:</b>	PCF000800 from Table 139
<b>Material Set-Code:</b>	N000C

**TSS Article No.** **PCF0 0 0800 - N000C**

TSS Series No. \_\_\_\_\_  
 Type (Standard) \_\_\_\_\_  
 Bore Diameter x 10 \_\_\_\_\_  
 Quality Index (Standard) \_\_\_\_\_  
 Material Set-Code \_\_\_\_\_  
 Polypac Ref. No.: DPC 8060

**Table 139: Installation Dimensions / TSS Article No.**

Bore Diameter	Groove Dimensions					TSS Article No.	Description
	$D_N$	$d1$	L1	L2	$d2$		
H11	h9	+0.2	+0.1	h11	h11		
30.0	17.0	15.4	6.35	26.50	29.00	PCF000300-N000C	DPC 3017
35.0	22.0	15.4	6.35	31.40	33.70	PCF000350-N000C	DPC 3522
40.0	24.0	18.4	6.35	35.40	38.70	PCF000400-N000C	DPC 4024
45.0	29.0	18.4	6.35	40.40	43.70	PCF000450-N000C	DPC 4529
50.0	34.0	18.4	6.35	45.40	48.70	PCF000500-N000C	DPC 5034
55.0	39.0	18.4	6.35	50.40	53.70	PCF000550-N000C	DPC 5539
60.0	44.0	18.4	6.35	55.40	58.70	PCF000600-N000C	DPC 6044
65.0	50.0	18.4	6.35	60.40	63.70	PCF000650-N000C	DPC 6550
70.0	50.0	22.4	6.35	64.20	68.30	PCF000700-N000C	DPC 7050
75.0	55.0	22.4	6.35	69.20	73.30	PCF000750-N000C	DPC 7555
80.0	60.0	22.4	6.35	74.20	78.30	PCF000800-N000C	DPC 8060
85.0	65.0	22.4	6.35	79.20	83.30	PCF000850-N000C	DPC 8565



Bore Diameter	Groove Dimensions					TSS Article No.	Description
	D <sub>N</sub>	d1	L1	L2	d2		
H11	h9	+0.2	+0.1	h11	h11		
90.0	70.0	22.4	6.35	84.15	88.30	<a href="#">PCF000900-N000C</a>	DPC 9070
95.0	75.0	22.4	6.35	89.15	93.30	<a href="#">PCF000950-N000C</a>	DPC 9575
100.0	75.0	22.4	6.35	93.15	98.05	<a href="#">PCF001000-N000C</a>	DPC 10075
100.0	80.0	25.4	6.35	94.15	98.30	<a href="#">PCF101000-N000C</a>	DPC 10080
105.0	85.0	22.4	6.35	98.10	103.00	<a href="#">PCF001050-N000C</a>	DPC 10585
110.0	85.0	22.4	6.35	103.10	108.00	<a href="#">PCF001100-N000C</a>	DPC 11085
120.0	100.0	25.4	6.35	114.10	118.00	<a href="#">PCF001200-N000C</a>	DPC 120100
130.0	105.0	25.4	6.35	123.10	128.00	<a href="#">PCF001300-N000C</a>	DPC 130105
140.0	115.0	25.4	6.35	133.00	138.00	<a href="#">PCF001400-N000C</a>	DPC 140115
150.0	125.0	25.4	6.35	143.00	148.00	<a href="#">PCF001500-N000C</a>	DPC 150125
160.0	135.0	33.0	6.35	153.00	158.00	<a href="#">PCF001600-N000C</a>	DPC 160135

# POLYPAC® Veepac CH



---

Single-acting

---

Set of Chevron Ring

---

With Support and Pressure Energizing  
Ring

---

Without and with Anti-extrusion Ring

---

**Material:**

Fabric Reinforced Rubber -  
POM or PTFE

---



---

! This page is intentionally left blank.



## ■ Veepac CH



### ■ Description

Veepac seals are sets of fabric reinforced chevron rings. They are composed by a support ring, "V" shaped sealing rings and a pressure energizing ring.

The support ring or base ring guides and sustains the other "V" shaped rings for best performance. Special versions provide incorporated anti-extrusion rings, either on the inner or outer side, for rod or piston applications (see type CH/NEI or CH/NEO). In standard version the support ring is manufactured in cotton fabric reinforced rubber, for a good anti-extrusion resistance.

The intermediate "V" shaped rings (vee-rings) are the real sealing elements of Veepac seals. Their particular shape confers the capacity of increasing sealing effectiveness under high pressure. In standard version they are made in cotton fabric reinforced NBR and pure NBR.

The energizer ring ensures uniform loading of pressure on the other rings. This element is manufactured in acetal resin, or cotton fabric reinforced nitrile for diameters over 300 mm (standard material).

### DESIGN

The veepac seals are available in different compositions. The standard version consists in a support ring, two fabric reinforced vee-rings, one rubber vee-ring and the energizing ring.

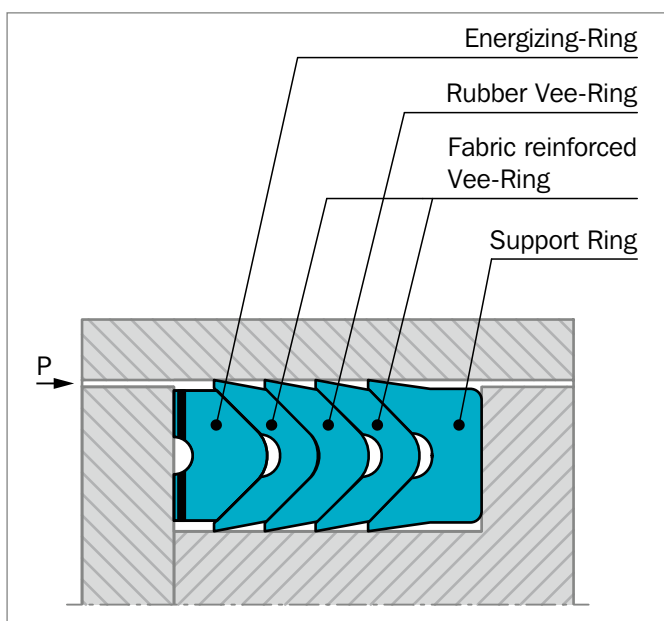


Figure 155: Veepac standard design

When the rubber vee-ring isn't available (indicated in the Table 142 with the symbol ^) the veepac are assembled with three fabric reinforced vee-ring as shown in figure below.

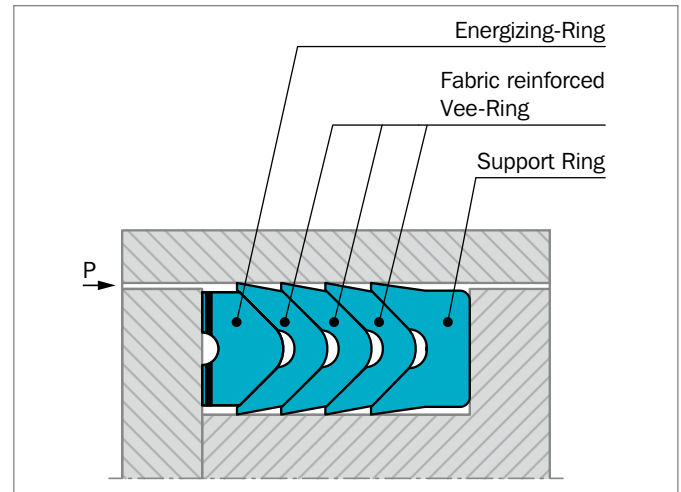


Figure 156: Veepac design with 3 fabric reinforced vee-ring

Where extrusion gaps are greater than those specified or for higher pressure conditions, special designs incorporating anti-extrusion rings can be made, to suit piston (suffix NEO) at the Polypac ref.

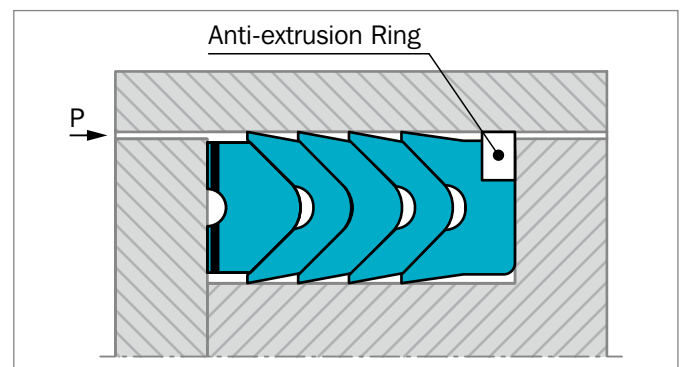


Figure 157: Veepac design with anti-extrusion ring



### ADVANTAGES

- Exceptional wear resistance
- Pre-load adjustment capability
- Excellent behaviour in harsh conditions
- Rod-seal replacement without complete cylinder dismantling possible
- Long service life

### APPLICATION EXAMPLES

VEEPAC seals are recommended for single acting or double acting (back to back installation) hydraulic cylinders in the following applications:

- Ship hydraulics
- Excavators
- Steel mills
- Presses

### OPERATING CONDITIONS

<b>Pressure:</b>	Up to 40 MPa
<b>Velocity:</b>	Up to 0.5 m/s
<b>Temperature:</b>	-30 °C to +200 °C
<b>Media:</b>	Hydraulic fluids Mineral Oil based hydraulic fluids, Water/oil and Water/Glycol emulsions
<b>Groove type:</b>	Open

### IMPORTANT NOTE

The above data are maximum values and cannot be used at the same time, e.g. the maximum operating speed depends on material type, pressure, temperature and gap value. Temperature range also depends on media.

### GAP DIMENSIONS

To prevent extrusion the diameter not facing the pressure must be max. 0.3 mm smaller (than the piston seal) and 0.3 mm larger (than the rod seal). Using Veepac with Back-up Ring enables double values.

### MATERIALS

Components of the VEEPAC seals are made in different combinations of materials, according to the specific application (see table below).

**Table 140: Material Selection**

Material Set Code	Temperature	Sealing Ring Material	Energizer Ring Material	
N000C	-30 to +130 °C	Cotton reinforced NBR	POM-GL-BK Cotton reinforced NBR	up to 300 mm I.D. over 300 mm I.D.
V000A	-20 to +150 °C	Aramid Fiber reinforced FKM	POM-GL-BK Aramid Fiber reinforced FKM	up to 300 mm I.D. over 300 mm I.D.
VOPOA	-20 to +200 °C	Aramid Fiber reinforced FKM	Filled PTFE Aramid Fiber reinforced FKM	up to 300 mm I.D. over 300 mm I.D.

Highlighted material is standard.



## ■ Installation Recommendation, Type POLYPAC® CH/NEO (with Back-up Ring)

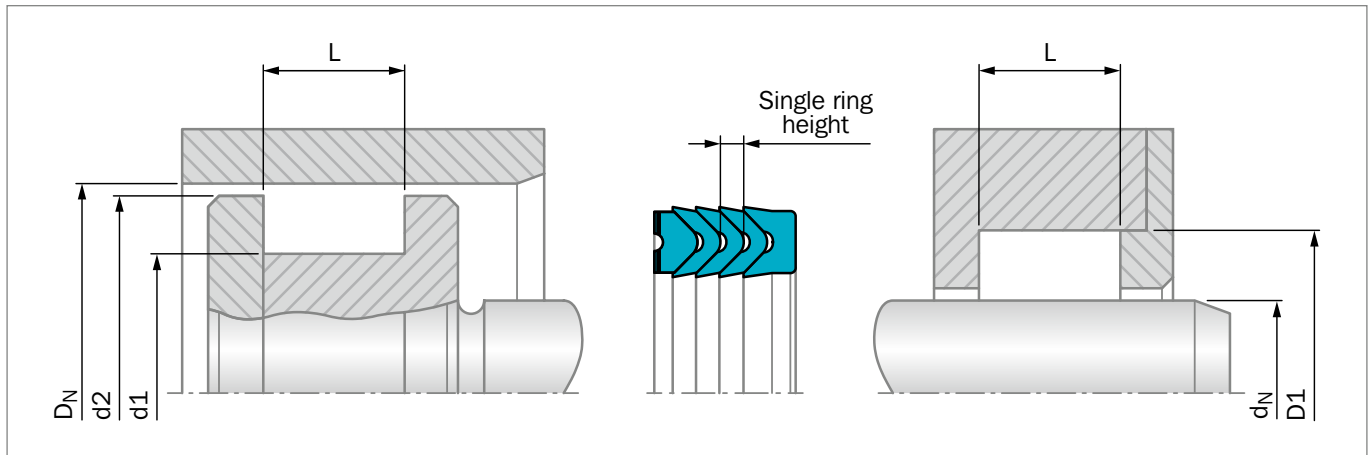


Figure 158: Installation Drawing

### ORDERING EXAMPLE

For a **piston** application of standard Veepac sealing element composed by: Support ring **with anti-extrusion ring**, 3 elements vee-rings and Energizer ring:

**Bore Diameter:**  $D_N = 150.0$  mm

**Groove Diameter:**  $d_1 = 120.0$  mm

**TSS Part No.:** PCH0E1500

**Material Set-Code:** N000C

**Polypac Part. No.:** CH 590472/NEO

**TSS Article No.** **PCH0 E 1500 - N000C**

TSS Series No. ————

Type (Standard) ————

Bore Diameter x 10 ————

Quality Index ————

Material Set-Code ————

**Table 141: Installation Dimensions / TSS Part No.**

Bore Diameter	Groove Diameter	Groove Width	Diameter	Single Ring Height	Special Version	TSS Part No.	Polypac Ref. No.*
$D_N$	$d_1$	$L$	$d_2$				
H9/f8	h11	-0.25	+/-0.1				
80.00	60.00	32.15	79.00	5.66		PCH1E0800	CH 314236/NEO
88.90	69.85	35.50	87.90	4.83		PCH0E0889	CH 350275/1/NEO
90.00	70.00	30.00	89.00	5.08		PCH0E0900	CH 354275/NEO
95.25	76.20	28.97	94.20	5.16		PCH0E0952	CH 375300/NEO
95.25	82.55	21.72	94.20	3.71	# ^	PCH1E0952	CH 375325/NEO
101.60	85.72	26.75	100.60	4.14	^	PCH0E1016	CH 400337/NEO
107.95	88.90	31.00	106.90	4.90	^	PCH0E1079	CH 425350/NEO
114.30	88.90	35.32	113.30	6.55	^	PCH0E1143	CH 450350/NEO
114.30	95.25	25.40	113.30	5.00	^	PCH1E1143	CH 450375/NEO
114.30	98.42	26.59	113.30	4.34	^	PCH2E1143	CH 450387/NEO





Bore Diameter	Groove Diameter	Groove Width	Diameter	Single Ring Height	Special Version	TSS Part No.	Polypac Ref. No.*
D <sub>N</sub>	d1	L	d2				
H9/f8	h11	-0.25	+/-0.1				
125.00	100.00	36.90	124.00	6.60	# ^	PCH1E1250	CH 492393/NEO
125.00	105.00	27.00	124.00	5.00	^	PCH2E1250	CH 492413/1/NEO
127.00	101.60	32.15	126.00	5.82	#	PCH0E1270	CH 500400/NEO
127.00	107.95	30.00	126.00	4.52	^	PCH1E1270	CH 500425/NEO
139.70	114.30	33.50	138.70	5.56	^	PCH0E1397	CH 550450/1/NEO
140.00	115.00	37.12	139.00	6.00	^	PCH0E1400	CH 551452/NEO
140.00	120.00	30.00	139.00	5.36		PCH1E1400	CH 551472/NEO
150.00	120.00	44.00	149.00	7.50		PCH0E1500	CH 590472/NEO
152.40	127.00	38.63	151.40	6.48		PCH0E1524	CH 600500/NEO
160.00	130.00	41.50	159.00	5.50	#	PCH1E1600	CH 629511/NEO
160.00	130.00	43.50	159.00	5.50	#	PCH2E1600	CH 629511/1/NEO
187.32	171.45	24.20	186.30	4.09	# ^	PCH0E1873	CH 737675/NEO
210.00	180.00	32.97	209.00	5.99		PCH0E2100	CH 826708/B/NEO
222.25	190.50	50.00	221.20	7.57	^	PCH0E2222	CH 875750/NEO
280.00	250.00	32.97	279.00	5.99	^	PCH0E2800	CH 1102984/B/NEO

\* As the Polypac Ref. No. does not refer to the material, please always state the full number if available for identification. "#" and "^" see Table 142.

**Table 142: Explanation to "Special Version"**

Not available with rubber V-ring		^	
Available upon request	#		

# POLYPAC® Veepac CH/G1



---

Single-acting

---

Chevron Ring

---

With Support and Pressure  
Energizing Ring

---

**Material:**

POM, PTFE, Fabric Reinforced Rubber

---



---

! This page is intentionally left blank.



## ■ Veepac CH/G1



### ■ Description

Veepac G1 is a set of fabric reinforced rings comprising one support ring, one sealing ring and a pressure energizing ring. It is a single acting piston seal.

The support ring or base ring is manufactured out of nitrile elastomer with high Shore A hardness and reinforced with impregnated cotton fabric layers for an optimal extrusion resistance.

The intermediate ring - the sealing ring - is a fabric reinforced nitrile elastomer with good resilience characteristics enabling the radial deflection under pressure load. Consequently the optimum sealing force is applied to the bore to be sealed.

The energiser or spreader ring is made of POM or PTFE. Its function is to ensure a uniform pre-load of the seal.

In some specific applications the energiser ring is made out of Acetal resin or Phenolic resin. Please contact our local TSS company for further details.

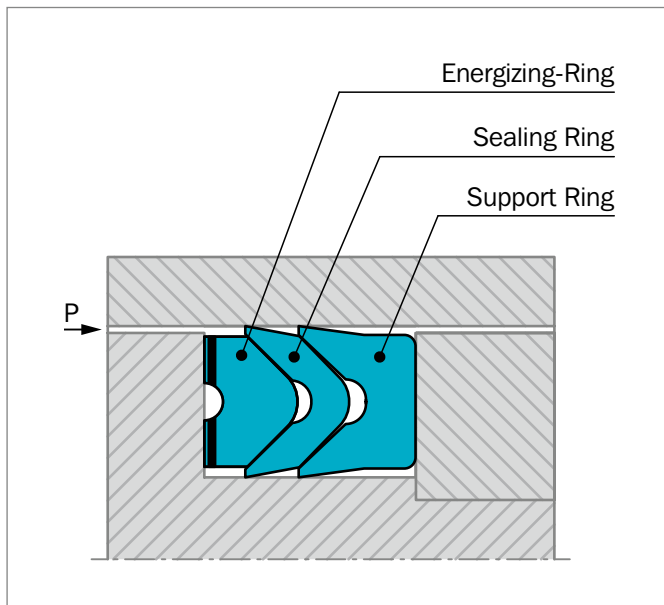


Figure 159: Veepac CH/G1

### ADVANTAGES

- Exceptional wear resistance
- Pre-load adjustment capability
- Excellent behavior in harsh conditions

### APPLICATION EXAMPLES

The Veepac seal is recommended for single acting or double acting (back to back installation) pistons in following applications:

- Mining equipment
- Excavator cylinders
- Steel mill cylinders
- Presses

### OPERATING CONDITIONS

<b>Pressure:</b>	Up to 40 MPa
<b>Velocity:</b>	Up to 0.5 m/s
<b>Temperature:</b>	-30 °C to +200 °C, depending on material
<b>Media:</b>	Mineral oil, water glycol, water emulsions


### IMPORTANT NOTE

The above data are maximum values and cannot be used at the same time, e.g. the maximum operating speed depends on material type, pressure, temperature and gap value. Temperature range also depends on media.

### MATERIALS

The following material can be delivered:

Material Set Code	Temperature	Sealing Ring Material	Energizer/ Spreader Ring Material
N000C	-30 to +130 °C	Cotton reinforced NBR	POM
V000A	-20 to +150 °C	Aramid fiber reinforced FKM	POM
V0P0A	-20 to +200 °C	Aramid fiber reinforced FKM	PTFE

 Highlighted material is standard.



## ■ Installation Recommendation, Type CH/G1

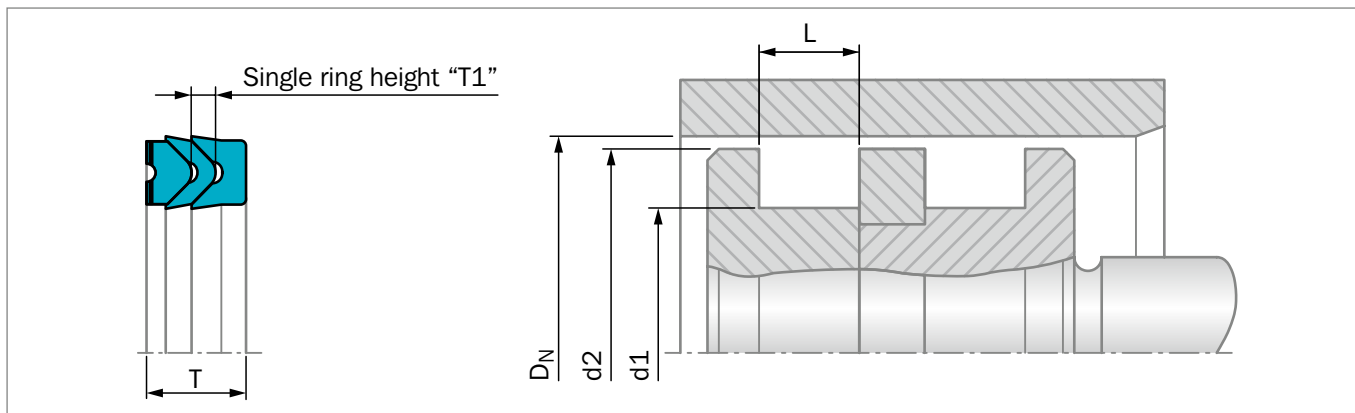


Figure 160: Installation Drawing

### ORDERING EXAMPLE

For sealing element Veepac CH/G1 comprising 1 base ring and 1 Chevron element in cotton fabric reinforced NBR and the Spreader ring in POM.

<b>Bore Diameter:</b>	$D_N = 80.0$ mm
<b>TSS Part No.:</b>	PCH0G0800 from Table 143
<b>Material Set-Code:</b>	N000C

<b>TSS Article No.</b>	<b>PCH0 G 0800 - N000C</b>
TSS Series No.	PCH0
Execution Mark	G
Bore diameter x 10	0800
Quality Index (Standard)	-
Material code	N000C
Polypac Ref. No.: CH 314236/G1	

Table 143: Installation Dimensions / TSS Part No.

Bore Diameter		Groove Diameter	Groove Width	Piston Diameter	Seal Width	Single Ring Height	TSS Part No.	Description
$D_N$	Tol.	d1 h11	L +0.3	d2 -0.3	T	T1		
40.0	H9/f8	25.0	11.5	39.0	11.0	3.2	PCH0G0400	CH 157098/G1
50.0	H9/f8	35.0	11.5	49.0	11.0	3.5	PCH0G0500	CH 196137/G1
55.0	H9/f8	40.0	11.5	54.0	11.0	2.9	PCH0G0550	CH 216157/G1
63.0	H9/f8	48.0	13.0	62.0	12.5	3.7	PCH0G0630	CH 248188/G1
65.0	H9/f8	50.0	11.5	64.0	11.0	3.9	PCH0G0650	CH 255196/G1
80.0	H9/f8	60.0	15.2	79.0	14.6	5.1	PCH0G0800	CH 314236/G1
100.0	H8/f8	80.0	21.2	99.0	20.6	5.0	PCH0G1000	CH 393314/G1
125.0	H8/f7	100.0	25.8	124.0	25.0	6.1	PCH0G1250	CH 492393/G1
140.0	H8/f7	115.0	25.8	139.0	25.0	8.0	PCH0G1400	CH 551452/G1
160.0	H8/f7	130.0	29.0	158.5	28.0	6.0	PCH0G1600	CH 629511/G1
180.0	H8/f7	150.0	31.5	178.5	30.5	9.9	PCH0G1800	CH 708590/G1
200.0	H8/f7	170.0	33.5	198.5	32.5	7.4	PCH0G2000	CH 787669/G1
240.0	H8/f7	210.0	33.5	238.5	32.5	10.2	PCH0G2400	CH 944826/G1
250.0	H8/f7	220.0	33.5	248.5	32.5	10.2	PCH0G2500	CH 984866/G1

# POLYPAC® - Selemaster DSM



---

Double-acting

---

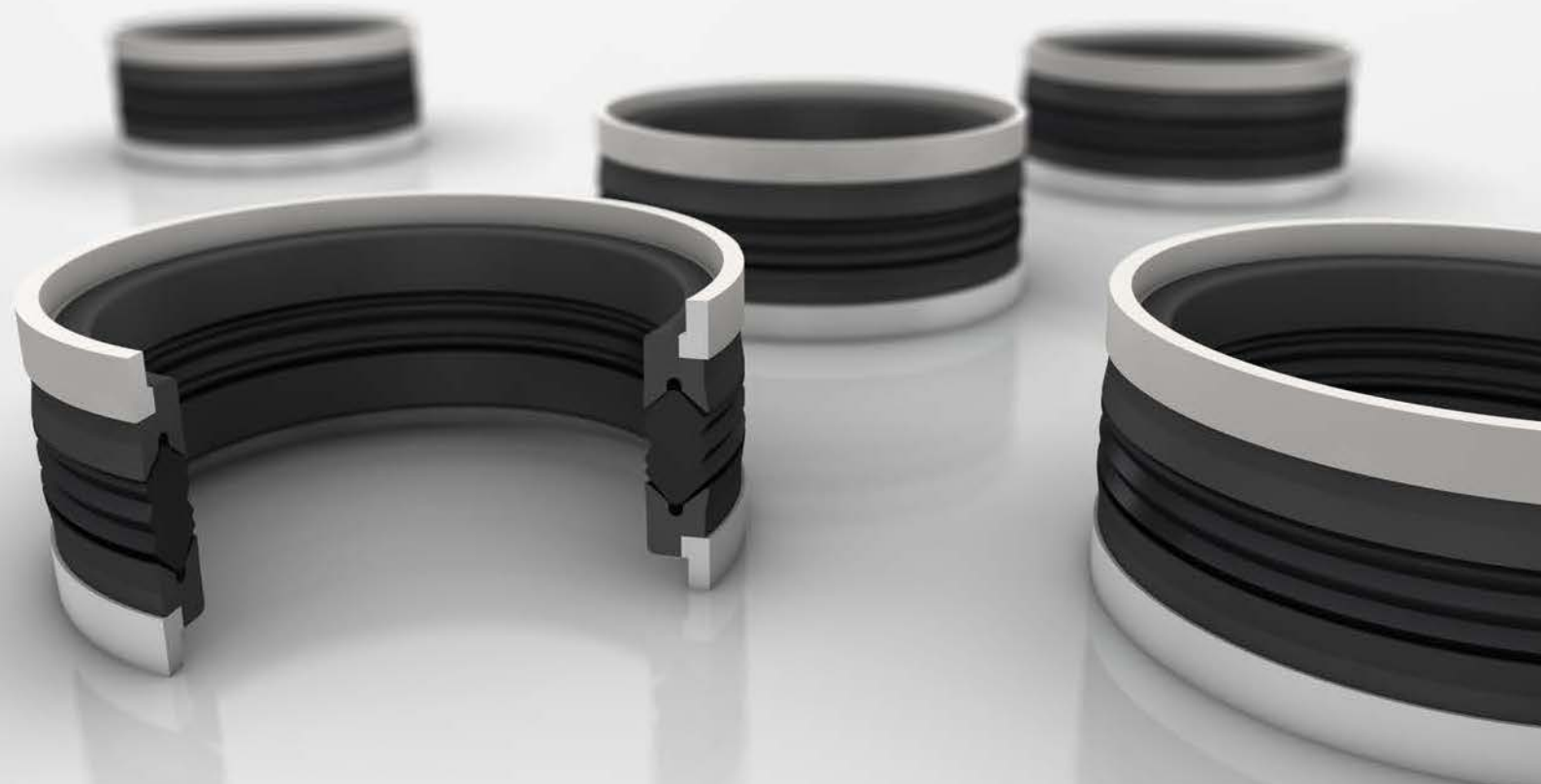
Compact Piston Seal

---

**Material:**

NBR + Fiber Reinforced NBR + POM

---



---

! This page is intentionally left blank.



## Selemaster DSM



### Description

The piston seal DSM range has been designed to meet the needs of hydraulic equipments operating at high pressures and subjected to severe loading and vibration conditions.

The main sealing element is manufactured in a highly compression set resistant nitrile. The most important quality of this element is the design of the multiple sealing lips for maximum sealing efficiency and end face configuration, which ensures that the selemaster can tolerate vibrations and severe misalignment.

The two support rings are made in cotton fabric reinforced nitrile elastomer; the "U" shape is energised when pressure is applied.

The last elements are the two guide rings manufactured in acetal resin which have also the function of anti-extrusion rings.

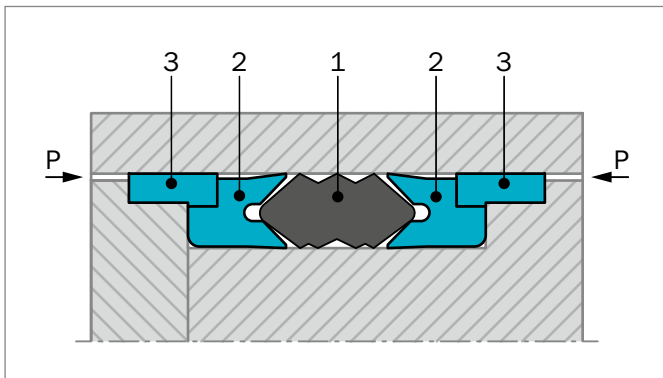


Figure 161: Selemaster design

- 1) Sealing element
- 2) Support ring
- 3) Guide ring

### ADVANTAGES

- Effective sealing during vibration and shock loading
- High sealing efficiency
- Extrusion resistance at high pressure

### APPLICATION EXAMPLES

- Earth-moving machines
- Excavators
- Lift platforms

### OPERATING CONDITIONS

<b>Pressure:</b>	Up to 70 MPa
<b>Velocity:</b>	Up to 0.5 m/s
<b>Temperature:</b>	-30 °C to +130 °C
<b>Media:</b>	Hydraulic fluids Mineral oil-based hydraulic fluids, water and water/glycol emulsions
<b>Groove type:</b>	Open

### IMPORTANT NOTE

The above data are maximum values and cannot be used at the same time, e.g. the maximum operating speed depends on material type, pressure, temperature and gap value. Temperature range also depends on media.

### STANDARD MATERIAL

- |                    |                       |
|--------------------|-----------------------|
| 1) Sealing element | NBR 80                |
| 2) Support ring    | Cotton reinforced NBR |
| 3) Guide ring      | POM                   |





## Installation Recommendation

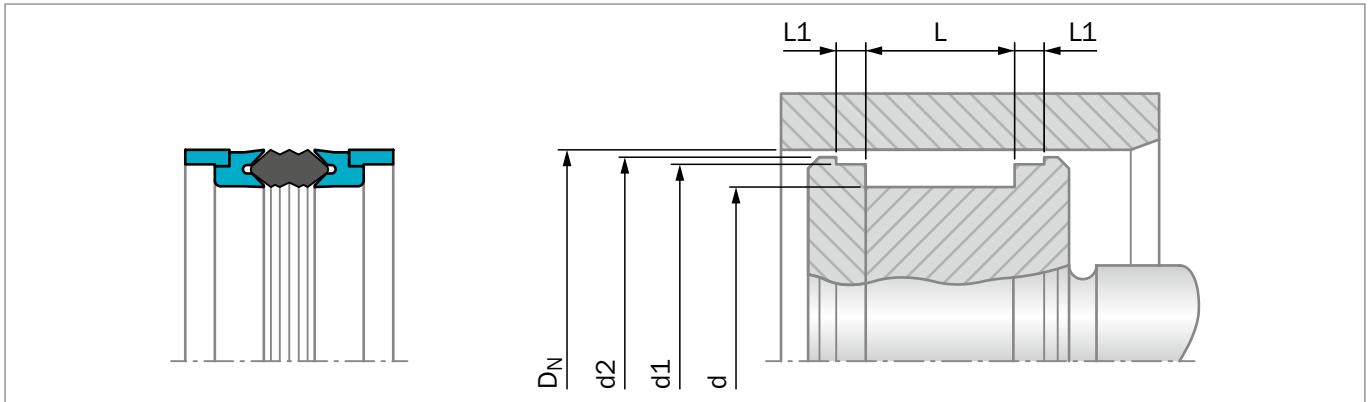


Figure 162: Installation Drawing

### ORDERING EXAMPLE

Selemaster DSM

<b>Bore Diameter:</b>	$D_N = 70.0$ mm
<b>Groove Diameter:</b>	$d = 50.0$ mm
<b>Groove Width</b>	$E = 35.0$ mm
<b>TSS Part No.:</b>	PCK000700 from Table 144
<b>Material Code:</b>	N8CO
<b>Polypac Ref.:</b>	DSM 275196/1A

<b>TSS Article No.</b>	<b>PCK 0 00700 - N8CO</b>
TSS Series No.	PCK
Type (Standard)	0
Bore Diameter x 10	00700
Quality Index (Standard)	-
Material Set-Code	N8CO

Table 144: Installation Dimensions / TSS Part No.

Bore Diameter	Groove Diameter	Groove Width	Groove Width	Diameter	Diameter	TSS Part No.	Description
$D_N$	$d$	$L$	$L1$	$d1$	$d2$		
H11	h11	+0.2	+0.1	+/-0.05	+/-0.07		
45.00	29.00	32.00	6.35	38.80	42.80	^ PCK000450	DSM 177114/1A
50.00	34.00	32.00	6.35	43.77	47.80	PCK000500	DSM 196133/1A
55.00	40.00	32.00	6.35	48.77	52.80	PCK000550	DSM 216157/1A
60.00	44.00	32.00	6.35	53.80	57.80	PCK000600	DSM 236173/1A
63.00	47.00	32.00	6.35	56.74	60.80	PCK000630	DSM 248185/1A
63.50	47.62	31.75	6.35	57.25	61.30	^ PCK000635	DSM 250187/1A
65.00	49.00	32.00	6.35	58.70	62.80	PCK000650	DSM 255192/1A
70.00	50.00	35.00	9.52	62.62	67.50	PCK000700	DSM 275196/1A
75.00	55.00	35.00	9.52	67.70	72.50	PCK000750	DSM 295216/1A
80.00	60.00	35.00	9.52	72.62	77.50	PCK000800	DSM 314236/1A
80.00	64.00	32.00	9.52	72.62	77.50	PCK100800	DSM 314251/1A
85.00	65.00	35.00	9.52	77.62	82.50	PCK000850	DSM 334255/1A
90.00	70.00	35.00	9.52	82.58	87.80	PCK000900	DSM 354275/1A
90.00	74.00	32.00	9.52	82.87	87.80	PCK100900	DSM 354291/1A
92.07	73.02	34.92	9.52	84.66	89.60	^ PCK000921	DSM 362287/1A
95.00	75.00	35.00	9.52	87.60	92.50	PCK000950	DSM 374295/1A



Bore Diameter	Groove Diameter	Groove Width	Groove Width	Diameter	Diameter		TSS Part No.	Description
$D_N$	$d$	$L$	$L1$	$d1$	$d2$			
H11	h11	+0.2	+0.1	+/-0.05	+/-0.07			
95.25	76.20	34.92	9.52	87.86	92.80	^	PCK000953	DSM 375300/1A
100.00	80.00	35.00	9.52	92.60	97.50		PCK001000	DSM 393314/1A
101.60	82.55	34.92	9.52	94.20	99.10		PCK001016	DSM 400325/1A
105.00	85.00	35.00	9.52	97.60	102.50	^	PCK001050	DSM 413334/1A
110.00	85.00	45.00	12.70	101.82	107.30		PCK001100	DSM 433334/1A
110.00	90.00	35.00	9.52	102.70	107.50		PCK101100	DSM 433354/1A
114.30	88.90	44.45	12.70	106.12	111.60		PCK001143	DSM 450350/1A
115.00	90.00	45.00	12.70	106.82	112.30		PCK001150	DSM 452354/1A
120.00	95.00	45.00	12.70	111.82	117.30		PCK001200	DSM 472374/1A
120.00	100.00	35.00	9.52	112.80	117.50		PCK101200	DSM 472393/1A
125.00	100.00	45.00	12.70	116.82	122.30		PCK001250	DSM 492393/1A
127.00	101.60	44.45	12.70	118.80	124.30		PCK001270	DSM 500400/1A
130.00	105.00	45.00	12.70	121.82	127.30		PCK001300	DSM 511413/1A
130.00	110.00	35.00	9.52	122.70	127.30		PCK101300	DSM 511433/1A
135.00	110.00	45.00	12.70	126.82	132.30		PCK001350	DSM 531433/1A
139.70	114.30	44.45	12.70	131.47	137.00	^	PCK001397	DSM 550450/1A
140.00	115.00	45.00	12.70	131.72	137.30		PCK001400	DSM 551452/1A
140.00	120.00	35.00	9.52	132.70	137.30		PCK101400	DSM 551472/1A
145.00	120.00	45.00	12.70	136.72	142.30		PCK001450	DSM 570472/1A
150.00	125.00	45.00	12.70	141.72	147.30		PCK001500	DSM 590492/1A
152.40	127.00	44.45	12.70	144.15	149.70	^	PCK001524	DSM 600500/1A
160.00	135.00	45.00	12.70	151.72	157.10		PCK001600	DSM 629531/1A
165.00	135.00	45.00	12.70	158.00	162.10		PCK001650	DSM 649531/1A
170.00	140.00	45.00	12.70	163.00	167.90		PCK001700	DSM 669551/1A
177.80	152.40	44.45	12.70	169.55	175.10		PCK001778	DSM 700600/1A
180.00	155.00	45.00	12.70	171.60	177.10		PCK001800	DSM 708610/1A
185.00	160.00	45.00	12.70	176.72	182.10		PCK001850	DSM 728629/1A
190.00	165.00	45.00	12.70	181.72	187.10		PCK001900	DSM 748649/1A
200.00	175.00	45.00	12.70	191.72	197.10		PCK002000	DSM 787688/1A
210.00	185.00	45.00	12.70	201.60	207.10		PCK002100	DSM 826728/1A
220.00	195.00	45.00	12.70	211.60	217.10		PCK002200	DSM 866767/1A
230.00	205.00	45.00	12.70	221.72	227.10		PCK002300	DSM 905807/1A
240.00	215.00	45.00	12.70	231.72	237.10		PCK002400	DSM 944846/1A
250.00	225.00	45.00	12.70	241.72	247.10		PCK002500	DSM 984886/1A
260.00	235.00	45.00	12.70	251.72	257.10		PCK002600	DSM 1024925/1A
270.00	245.00	45.00	12.70	261.72	267.10		PCK002700	DSM 1062965/1A
280.00	255.00	45.00	12.70	271.72	277.10		PCK002800	DSM 11021004/1A
290.00	265.00	45.00	12.70	281.72	287.10		PCK002900	DSM 11411043/1A
300.00	275.00	45.00	12.70	291.72	297.10		PCK003000	DSM 11811082/1A
360.00	335.00	44.50	12.70	351.76	357.30		PCK003600	DSM 14171318/1A

^ Available upon request

---

! This page is intentionally left blank.

# Additional Seals



---

Available upon Request

---

Old Series

---

Special Series

---



---

! This page is intentionally left blank.

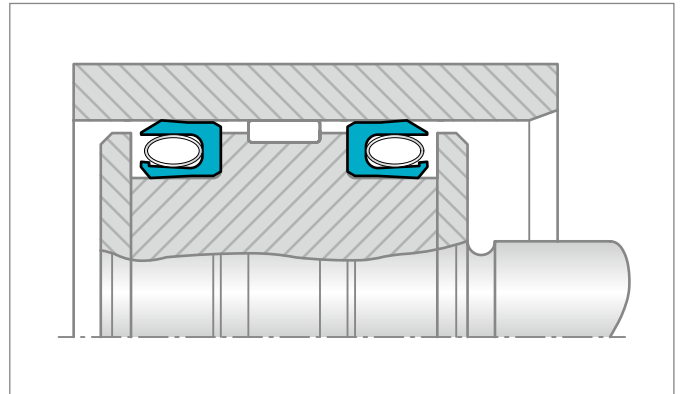


### TURCON® VARISEAL® W

Single-acting piston seal energized by a slantcoil spring. Its main advantage lies in its low friction and constant preloading force over a relatively large deformation range.

The Turcon® Variseal® W is used wherever friction has to be kept within a narrow tolerance zone.

Diameter Range mm	Pressure Range MPa	Temperature Range °C	Velocity m/s
8 - 2,500	Up to 40	-70 to +260	Up to 15

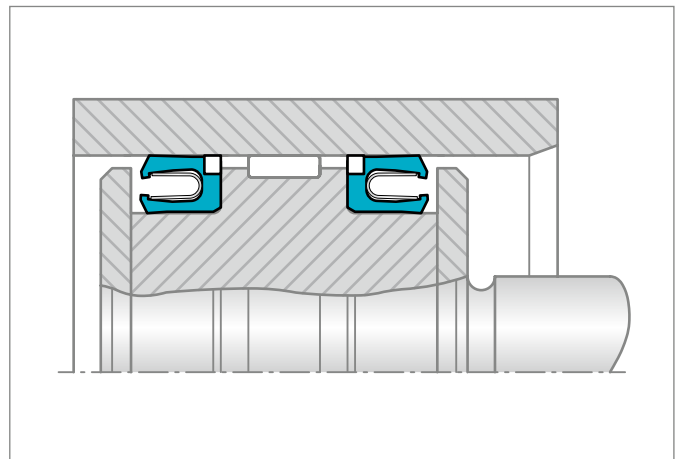


### TURCON® VARISEAL® M2 CR

Single-acting sealing element comprising a U-shaped Turcon® ring and a stainless steel energizing V-spring. Low friction with no stick-slip, minimal break out force and high wear resistance. Resistant to most liquids and chemicals. Unlimited shelf life.

With integrated back up rings in Zurcon® Z43 for higher pressures or larger gaps.

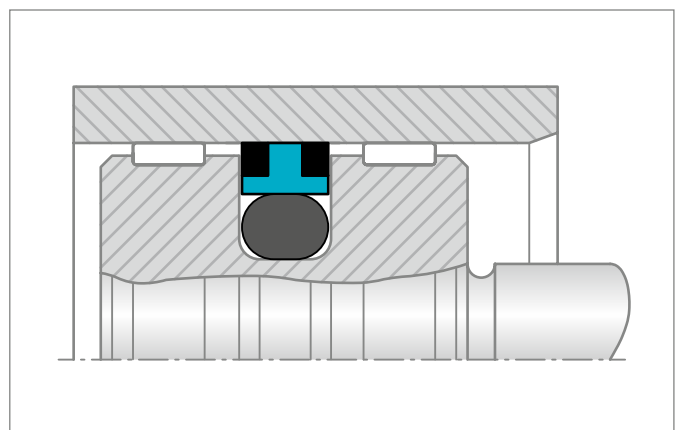
Diameter Range mm	Pressure Range MPa	Temperature Range °C	Velocity m/s
8 - 330	Up to 100	-45 to +260	Up to 5



### TURCON® GLYD RING® CR

Double-acting O-Ring energized piston seal with one or two corner reinforcements for dynamic applications. Installed in closed grooves, including grooves to ISO 7425-1, as piston Turcon® Glyd Ring®. Low friction with no stick-slip, minimal break out force and high wear resistance with integrated Back-up Rings for higher pressures or larger gaps. Standard TSS Article Numbers are available (PGR).

Diameter Range mm	Pressure Range MPa	Temperature Range °C	Velocity m/s
20 - 2,700	Up to 100	-45 to +200	Up to 5



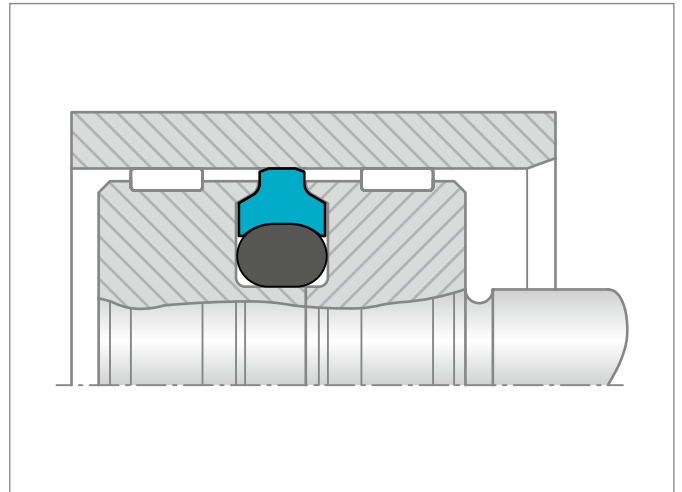


### TURCON® CAPTIVE GLYD RING®

A double-acting seal recommended for linear applications. It is designed to pass over holes/ports in the counter surface or to slide across mating surfaces that have dimensional changes from a small diameter with sealing function over the seal to a large diameter with no sealing function or vice versa. Split hardware is required and prevents the seal from pulling out the groove while passing over ports or variable diameter counter parts.

Standard TSS Part Numbers are available (PGC).

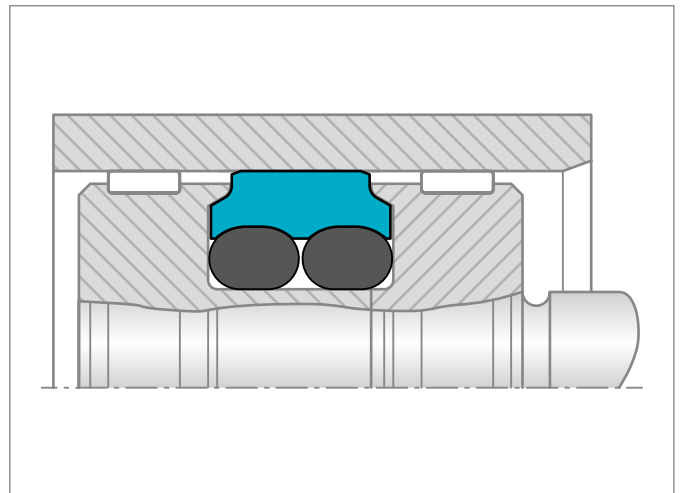
Diameter Range mm	Pressure Range MPa	Temperature Range °C	Velocity m/s
6 - 2,600	Up to 60	-45 to +200	Up to 15



### TURCON® CAPTIVE GLYD RING® WITH DOUBLE O-RING

A double-acting seal for linear applications recommended for passing over larger holes/ports in the counter surface or to slide across mating surfaces that have dimensional changes from a small diameter with sealing function over the seal to a large diameter with no sealing function or vice versa. Split hardware is required and prevents the seal from pulling out of the groove while passing over ports or variable diameter counter parts.

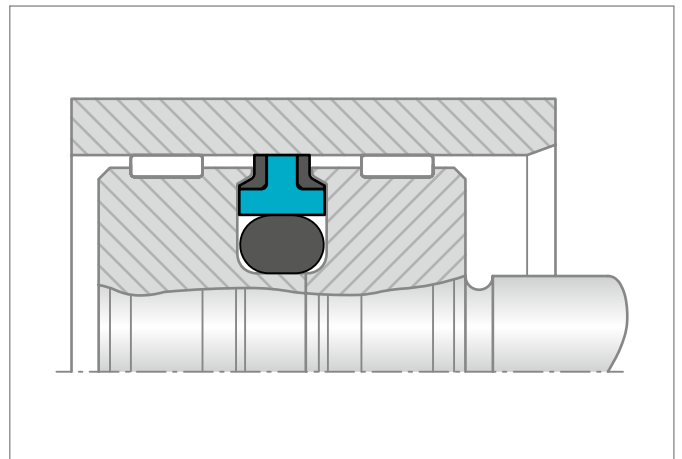
Diameter Range mm	Pressure Range MPa	Temperature Range °C	Velocity m/s
6 - 2,600	Up to 60	-45 to +260	Up to 15



### TURCON® CAPTIVE GLYD RING® CR

A double-acting corner reinforced seal for higher pressure linear applications recommended for passing over larger holes/ports in the counter surface, or to slide across mating surfaces that have dimensional changes from a small diameter with sealing function over the seal to a large diameter with no sealing function or vice versa. Split hardware is required and prevents the seal from pulling out the groove while passing over ports or variable diameter counter parts.

Diameter Range mm	Pressure Range MPa	Temperature Range °C	Velocity m/s
6 - 2,600	Up to 100	-45 to +260	Up to 15





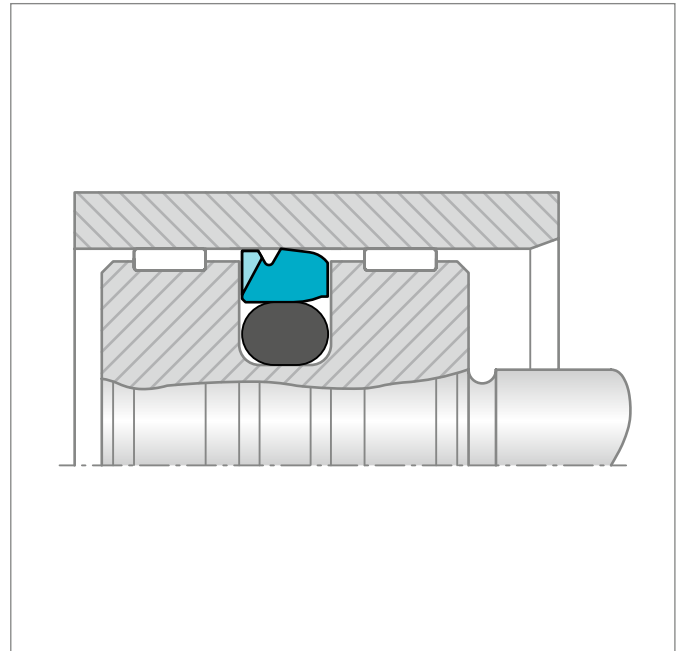
## TURCON® STEPSEAL® 2A

Single-acting primary seal for applications requiring stabilized seal position in the groove. A further development on Turcon® Stepseal® 2K by adding a stabilizing edge, which prevents the seal from tilting, caused by seal-system pressure build-up between seals in tandem configuration. It also increases assembly robustness through protection of the seal face during insertion of the rod. Same high sealing properties as Stepseal® 2K. Stepseal® 2A is used as a primary seal in piston sealing systems, preferably together with a secondary seal from the range of Turcon® and Zurcon® seals.

Installation in the same grooves as Turcon® Stepseal® 2K and grooves according to ISO 7425-1.

Standard TSS Part Numbers are available (PST).

Diameter Range mm	Pressure Range MPa	Temperature Range °C	Velocity m/s
15 - 2,700	60	-45 to +200	Up to 15

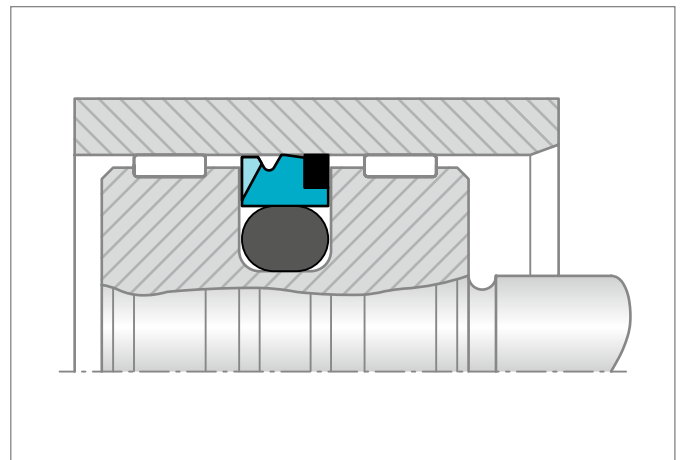


## TURCON® STEPSEAL® 2A CR

Single-acting O-Ring energized piston seal with integrated Back-up Ring for higher pressure or bigger gaps for dynamic applications. High sealing efficiency, low friction with no stick-slip, minimal break-out force and high wear resistance. Installed in closed grooves including grooves acc. ISO 7425-1

Standard TSS Part Numbers are available (PSB).

Diameter Range mm	Pressure Range MPa	Temperature Range °C	Velocity m/s
15 - 2,700	100	-45 to +200	Up to 5





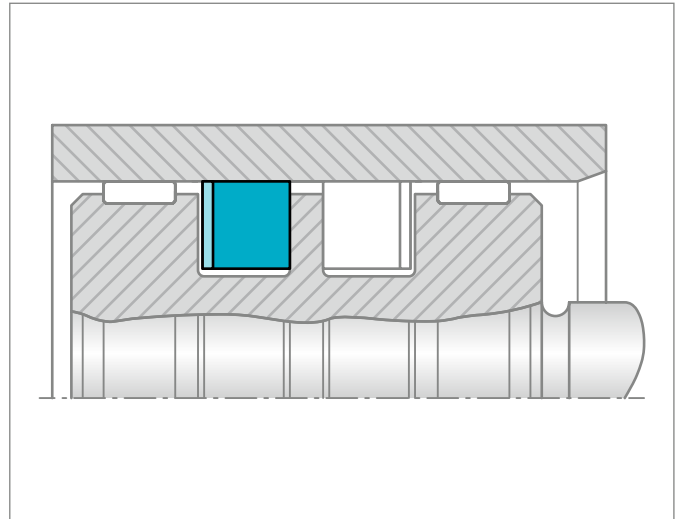


### TURCON® BUFFER RING

Turcon® Buffer Ring is an uncut piston ring. With notches on one side, the ring is a single-acting seal often used as protector of a common sealing system against peak pressures, where the notch prevents risk of pressure trap. If double-acting sealing is required, it is necessary to install two buffer rings, back-to-back, to take the pressure from both sides. For linear, helical and rotary movements.

Standard TSS Part Numbers are available (PFB).

Diameter Range mm	Pressure Range MPa	Temperature Range °C	Velocity m/s
8 - 2,500	60	+5 to +160	Up to 15 (10 rotary)

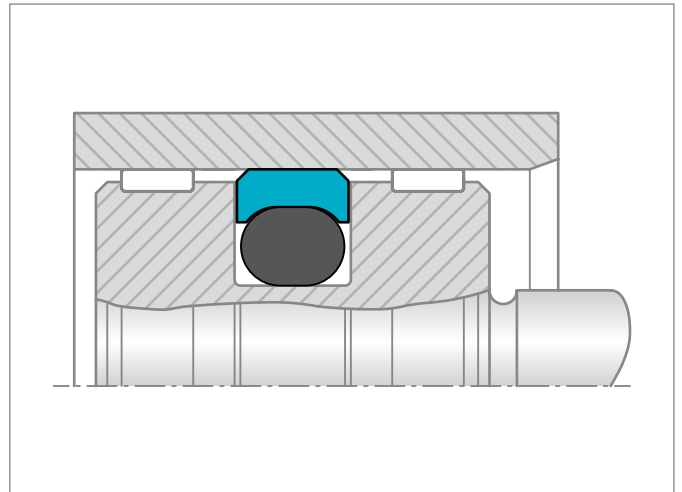


### TURCON® GLYD RING® SG

Double-acting O-Ring energized piston seal for dynamic applications. Generally applied as spare part or for heavy applications requiring seals with oversized cross-sections. Installation according to ISO 7425-1 “Square Groove housings for pistons seals”. Turcon® materials provide low friction with no stick-slip, minimal break out force and high wear and pressure resistance.

Standard TSS Part Numbers are available (PGM).

Diameter Range mm	Pressure Range MPa	Temperature Range °C	Velocity m/s
10 - 2,700	Up to 60	-45 to +200	Up to 5

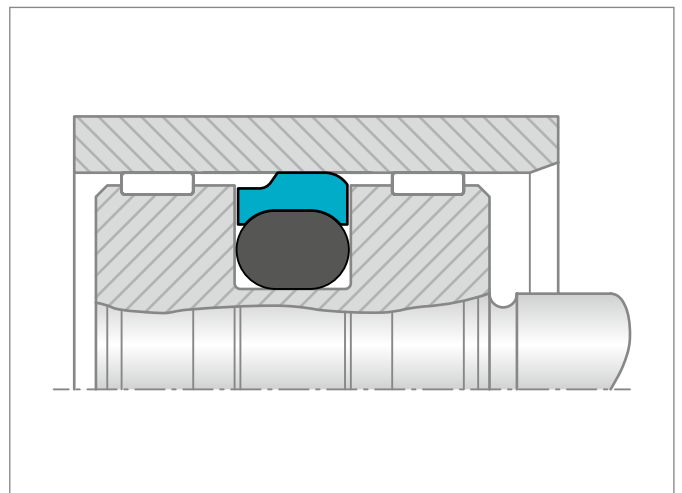


### TURCON® STEPSEAL® SG

Single-acting O-Ring energized piston seal for dynamic applications. Generally applied as spare part or for heavy applications requiring seals with oversized cross-sections. Installation identical to ISO 7425-1 “Square Groove housings for pistons seals”. Turcon® materials provide low friction with no stick-slip, minimal break out force and high wear and pressure resistance.

Standard TSS Part Numbers are available (PSM).

Diameter Range mm	Pressure Range MPa	Temperature Range °C	Velocity m/s
10 - 2,700	Up to 60	-45 to +200	Up to 5





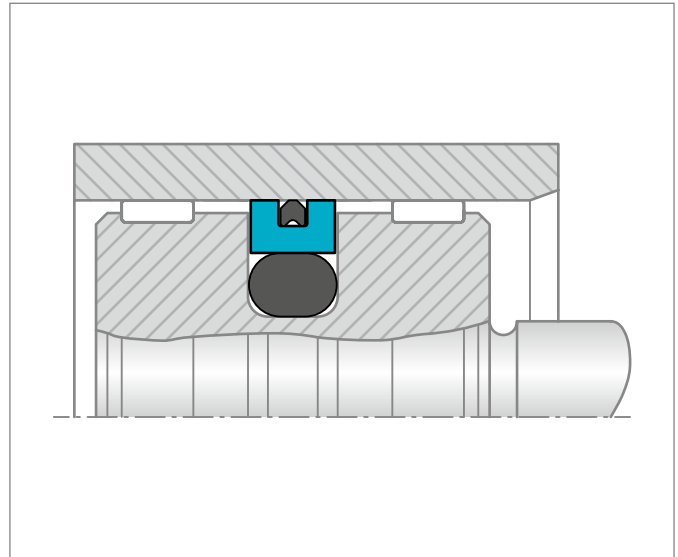
### TURCON® AQ-SEAL® BEAN SEAL

A double-acting rubber energized piston seal for sealing between two media, e.g. fluid/gas separation by incorporating a narrow footprint elastomer Bean Seal into the dynamic sealing face. Recommended for piston accumulators, preferably in tandem configuration with a Turcon® Stepseal® V. Extended diameter range compared to standard AQ-Seal® at page 311.

Installation in grooves according to ISO 7425-1 (see standard Turcon® AQ-Seal®).

Standard TSS Part Numbers are available (PQB).

Diameter Range mm	Pressure Range MPa	Temperature Range °C	Velocity m/s
16 - 2,300	Up to 50	-45 to +110	Up to 2

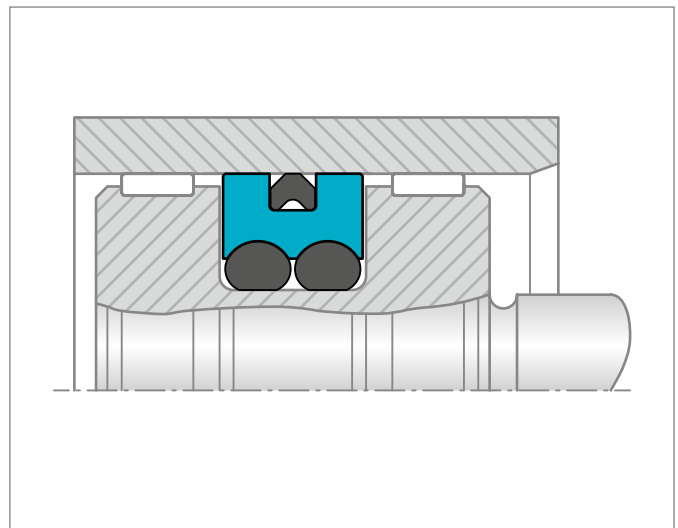


### TURCON® AQ-SEAL® 5 BEAN SEAL

A double-acting rubber energized piston seal for sealing between two media, e.g. fluid/gas separation by incorporating a narrow footprint elastomer Bean Seal installed into the dynamic sealing face. Recommended for piston accumulators preferably in tandem configuration with a Turcon® Stepseal® V. Extended diameter range compared to standard AQ-Seal® 5 at page 301. Installation in the same housing groove dimensions as standard Turcon® AQ-Seal® 5.

Standard TSS Part Numbers are available (PQC).

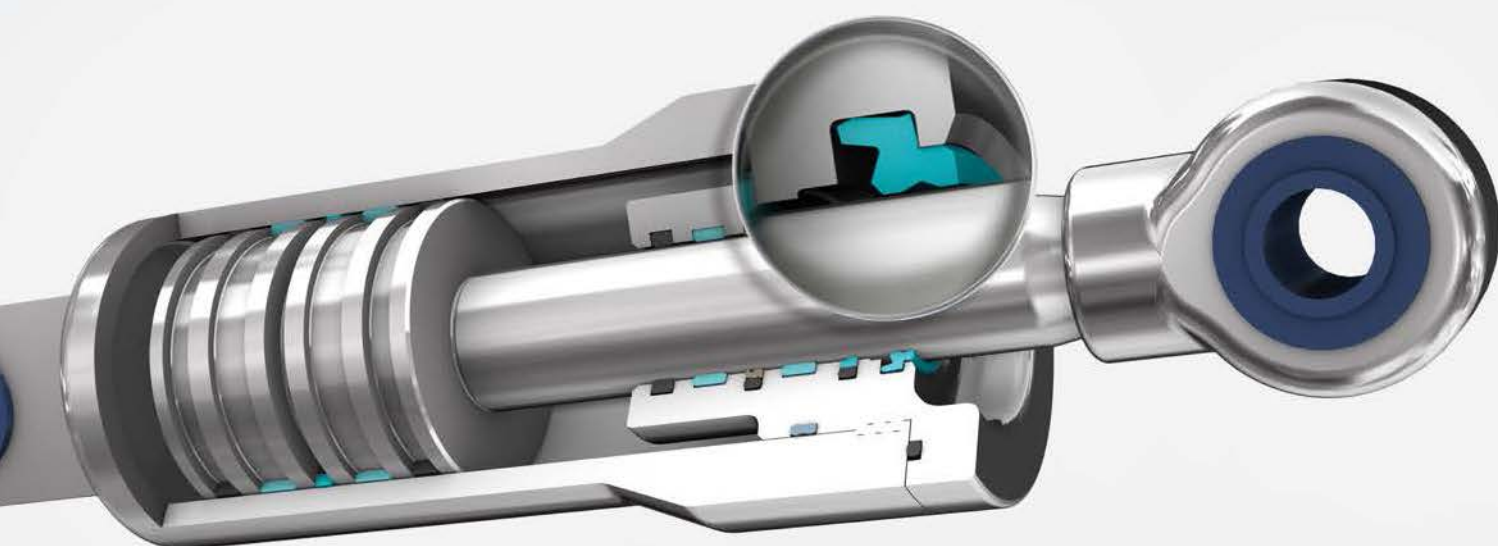
Diameter Range mm	Pressure Range MPa	Temperature Range °C	Velocity m/s
16 - 2,300	Up to 60	-45 to +110	Up to 3



---

! This page is intentionally left blank.

# Scrapers



---

! This page is intentionally left blank.

## Contents

<b>436</b>	<b>Choice of Scraper Element</b>	<b>533</b>	<b>Scraper WSA</b>
<b>441</b>	<b>Turcon® Excluder® 2</b>	<b>539</b>	<b>Zurcon® Scraper SWP</b>
<b>449</b>	<b>Turcon® Excluder® 5</b>	<b>545</b>	<b>Metal Scraper</b>
<b>457</b>	<b>Turcon® Excluder® Z</b>	<b>551</b>	<b>Turcon® Variseal® M2S</b>
<b>465</b>	<b>Turcon® Excluder® F</b>	<b>559</b>	<b>Additional Scrapers</b>
<b>475</b>	<b>Turcon® Excluder® S</b>		
<b>487</b>	<b>Turcon® Excluder® 1 and 113</b>		
<b>497</b>	<b>Scraper DA17</b>		
<b>503</b>	<b>Zurcon® Scraper DA22</b>		
<b>509</b>	<b>Zurcon® Scraper DA24 &amp; DA24 Venting version</b>		
<b>515</b>	<b>Scraper WRM</b>		
<b>523</b>	<b>Zurcon® Scraper ASW</b>		
<b>529</b>	<b>Zurcon® Scraper WNV</b>		

## ■ Choice of Scraper Element

Scrapers are installed in hydraulic cylinders to wipe any dirt, foreign particles, chips, moisture, etc. from the piston rods as they are retracted into the system, thus preventing contamination of the hydraulic medium which would otherwise damage wear rings, seals and other components.

Single and double-acting scrapers can be used, depending on the application and the sealing system. They differ quite distinctly in their function: single-acting scrapers are designed to keep out contamination from the outside; double-acting scrapers have the additional function of optimising the sealing system and scraping off the existing residual fluid film, to avoid any external leakage.

In order to satisfy both the different technical and economic demands, there is a complete range of scrapers with optimised geometries made with high-quality materials.

Before selecting the scraper and the material, it is essential to know all the desired functional parameters. The table on following pages allows a preliminary choice of the scraper type and material, according to the specific requirements of the application.

Further general informations together with specific design and installation instructions for the particular scraper type and material can be found.

### NOTE ON ORDERING







All multi-element standard scrapers are generally supplied as a complete set. The set includes scraper and energizing element. The O-Ring does not have to be ordered separately. It is also possible, however, to use other O-Ring materials from our O-Ring Catalogue. In this case, please order the scraper and O-Ring separately.

Older designs of scrapers no longer contained in this catalogue obviously continue to be available. When possible, however, for new applications we recommend the use of DIN/ISO series listed in the catalogue.

The sizes contained in this catalogue are generally available from stock and can be supplied at short notice. We reserve the right to modify our article structure without prior notice.

Please do not hesitate to contact your local Customer Solution Center for further information on specific applications and special technical questions.

Table 145: Selection Criteria for Scrapers






Scraper		Application	Standard	Groove Type	Action	Size Range	Technical Data*		Recommended Scraper Material			
Type	Page						Temp. Range**	Speed				
		Field of Application			ISO	mm	mm	°C	m/s			
			Light	Medium	Heavy							
						Single	Double					
Turcon® Excluder® 2 	441	Industrial hydraulics	•	•	•	6195 Type D	Split < 30 Closed > 30	•	4 - 2,600	-45/+200	15	M12
		Machine tools	•	•	•							
		Injection molding machines	•	•	•							
		Servo hydraulic cylinders	•	•	•							
		Robotics	•	•	•							
Turcon® Excluder® 5 	449	Heavy duty mobile and industrial hydraulics	•	•	•	6195 Type D	Split < 30 Closed > 30	•	20 - 2,600	-45/+200	15	M12
		Presses	•	•	•							
		Steel mills	•	•	•				20 - 2,200	-45/+110	2	Z54
Turcon® Excluder® Z 	457	Medium/Heavy duty mobile and industrial hydraulics	•	•	•	6195 Type D	Split < 25 Closed > 25	•	22 - 125	-45/+110	1	Z13
Turcon® Excluder® F 	465	Machine tools	•	•		-	Closed > 19	•	19 - 1,500	-45/+200	15	M12
		Automation	•	•								
		Valves	•	•								
Turcon® Excluder® S 	475	Small industrial hydraulics	•	•		-	Split	•	16 - 2,600	-45/+200	15	M12
		Heavy hydraulics		•	•							
		Offshore hydraulics		•	•							
		Water barriers		•	•					-45/+80	2	Z80/Z82
Turcon® Excluder® 1 and 113 	487	Industrial hydraulics	•	•		6195 Type D	Split < 30 Closed > 30	•	6 - 999.9	-45/+200	15	M12
		Machine tools	•	•								
		Servo hydraulics	•	•								-45/+110

\* The data above are maximum values and cannot be used at the same time.

\*\* Temperature Range depends on choice of elastomer material and media.






Table continues on next page



Scraper		Application			Standard	Groove Type	Action		Size Range	Technical Data*		Recommended Scraper Material
Type	Page	Field of Application					ISO	mm		Single	Double	
			Light	Medium	Heavy					°C	m/s	
Scraper DA17 	497	Industrial hydraulics Machine tools Presses	• • •	• • •		-	Split < 18 Closed > 18	•	10 - 440	-25/+100	1	NBR
Zurcon® Scraper DA22 	503	ISO standard cylinder Industrial hydraulic cylinders	• •	• •	•	6195 Type C	Split < 18 Closed > 18	•	5 - 180	-35/+100	1	Z201
Zurcon® Scraper DA24 & DA24 Venting Version 	509	Mobile hydraulics Construction machinery Agriculture machinery	• • •	• • •	•	-	Closed	•	45 - 290	-35/+100	1	Z201
Scraper WRM 	515	Agriculture machinery Handling equipment	• •	• •		-	Closed	•	12 - 260	-30/+110	1	NBR
Zurcon® Scraper ASW 	523	Agriculture machinery Mobile hydraulic machinery	• •	• •		-	Split < 14 Closed > 14	•	8 - 125	-35/+100	1	Z201

\* The data above are maximum values and cannot be used at the same time.

\*\* Temperature Range depends on choice of elastomer material and media.

Scraper		Application			Standard	Groove Type	Action		Size Range	Technical Data*		Recommended Scraper Material	
										Temp. Range**	Speed		
Type	Page	Field of Application			ISO	mm	Single	Double	mm	°C	m/s		
			Light	Medium									Heavy
Zurcon® Scraper WNV 	529	Agriculture machinery	•	•	•	6195 Type A	Closed	•	16 - 100	-35/+100	1	Z201	
		Mobile hydraulic machinery	•	•	•								
		ISO standard cylinder	•	•	•								
		Lift trucks	•	•	•								
		Cargo tailboards	•	•	•								
		Steering cylinders	•	•	•								
Scraper WSA 	533	Agriculture machinery	•	•		Open	•	16 - 120	-30/+110	1	NBR + Metal		
		Standard hydraulic cylinder	•	•	-								
Zurcon® Scraper SWP 	539	Construction machinery		•	•	-	Open	•	25 - 190	-35/+100	1	Z201 + Metal	
		Link pin seals		•	•								
Metal Scraper 	545	Agriculture machinery	•	•	•	-	Open	•	12 - 220	-30/+110	1	Metal + NBR + Brass	
		Mobile hydraulic machinery	•	•	•								
		ISO standard cylinder	•	•	•								
Turcon® Variseal® M2S 	551	Marine environments	•	•	•	-	Split or Stepped Housing	•	3 - 3,200	-50/+80	2	Z80	
		Subsea Application	•	•	•					-	-50/+260	15	T40
		Hydraulics	•	•	•					-	-196/+80	1	Z80
		Low temperature / Cryogenic	•	•						-	-50/+260	15	T40
		Chemical processing	•	•	•					-	-50/+80	2	Z81
		Food & Pharmaceutical	•	•						-	-50/+260	15	MF4

\* The data above are maximum values and cannot be used at the same time.

\*\* Temperature Range depends on choice of elastomer material and media.

---

! This page is intentionally left blank.

# Turcon® Excluder® 2



---

Double-acting

---

Rubber-energized Double-acting scraper

---

**Material:**

Turcon®, Zurcon® and Elastomer

---



---

! This page is intentionally left blank.



## Turcon® Excluder® 2\*



### Description

Turcon® Excluder® 2 is a patented double-acting scraper with scraper lip and sealing lip, positioned back-to-back. Excluder® 2 is always installed with an elastic O-Ring in one groove. The scraper function is performed by Excluder® 2. The O-Ring maintains the pressure of the scraper lips against the sliding surface and can compensate any deflections of the piston rod.

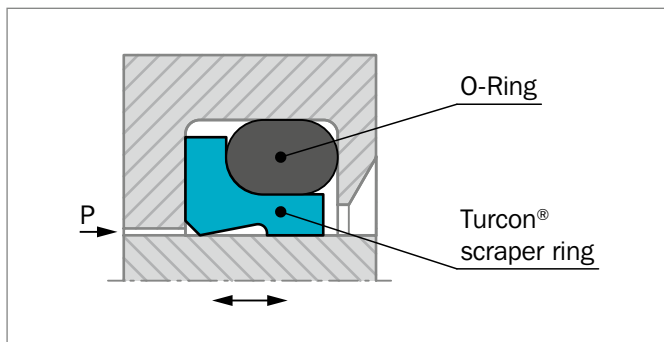


Figure 163: Turcon® Excluder® 2

Excluder® 2 has two functions:

- Scrape contaminants from the retracting piston rod to protect the system from soiling
- Hold back the residual oil film on the extending piston rod on the medium side.

Excluder® 2 is used in conjunction with our rod seals Turcon® Stepseal® 2K, Turcon® VL Seal® or Zurcon® Rimseal, i.e. seals with hydrodynamic back-pumping function.

### ADVANTAGES

- Outstanding sliding properties
- Stick-slip-free, no sticking
- Can compensate for deflections of the piston rod
- Space-saving construction
- Very good scraping effect against outside contaminants, even with firmly adhered dirt, etc.
- Very good scraping effect from the inside against the residual oil film adhering to the surface of the piston rod
- Very high resistance to hydraulic media
- Available for all diameters up to 2,600 mm (Turcon®) and up to 2,200 mm (Zurcon® Z53/Z54)
- ISO 6195 Type D installation dimensions up to diameter 63 mm

### OPERATING CONDITIONS

<b>Speed:</b>	Up to 15 m/s for Turcon® materials
	Up to 2 m/s for Zurcon® materials
<b>Temperature:</b>	-45 °C to +200 °C (Turcon®)
	-45 °C to +110 °C (Zurcon® Z53/Z54)
	-60 °C to +80 °C (Zurcon® Z80)
	(depending on O-Ring materials)
<b>Media:</b>	Mineral oil-based hydraulic fluids, flame retardant hydraulic fluids, environmentally friendly hydraulic fluids (bio-oils), phosphate ester, water, air and others, depending on the O-Ring material compatibility.

### IMPORTANT NOTE

The above data are maximum values and cannot be used at the same time, e.g. the maximum operating speed depends on material type, pressure, temperature and gap value. Temperature range also depends on media.

### INSTALLATION INSTRUCTIONS

Excluder® 2 scrapers can be installed in split and closed grooves (installation dimensions, see Table 146). Installation in closed grooves depends on the rod diameter, profile cross-section of the scraper and on the cord cross-section of the corresponding O-Ring, see Table 148.

Table 146: Installation in Closed Grooves

Turcon® Excluder® 2 Series No.	Rod Diameter $d_N$	O-Ring Cross-Section $d_2$
WE30	> 30	1.78
WE31	> 30	2.62
WE32	> 40	3.53
WE33	> 50	5.33
WE34	> 110	7.00
WE35	> 140	8.40

\* Patent application: EP 0 235 568 A2



**RECOMMENDED MATERIALS**

The following material combinations have proven effective for hydraulic applications:

**Turcon® Excluder® 2 in Turcon® M12**

All round material for light to medium hydraulic applications with linear, short stroke or helical movements in mineral oils, flame retardant hydraulic fluids, phosphate ester, bio-oils or fluids having low lubricating properties:

O-Ring:                   NBR 70 Shore A       N  
                                  FKM 70 Shore A       V

Set code:                   M12N or M12V

**Turcon® Excluder® 2 in Turcon® T46**

For medium to heavy applications with linear movements in mineral oils and other media with good lubrication:

O-Ring:                   NBR 70 Shore A       N  
                                  FKM 70 Shore A       V

Set code:                   T46N or T46V

For specific applications, all Turcon® materials are available.

Other material combinations are listed in Table 147.

**Table 147: Turcon® and Zurcon® Materials for Excluder® 2**

Material, Applications, Properties	Code	O-Ring Material Shore A	Code	O-Ring Operating Temp. * °C	Mating Surface Material	Speed max. m/s
<b>Turcon® M12</b> First material choice for linear motion Overall improved properties For new constructions and updating For all commonly applied hydraulic fluids including fluids with low lubrication performance Lowest friction and best sliding properties Lowest wear on scrapers Improved absorption of abrasive contaminants Low wear or abrasion of counter surface BAM tested Mineral fiber and Additives filled Color: Dark gray	M12	NBR 70	N	-30 to +100	Steel	15
		NBR 70 Low temp.	T	-45 to +80	Steel, hardened Steel, chrome plated (rod)	
		FKM 70	V	-10 to +200	Steel plated Cast iron Stainless steel Titanium	
<b>Turcon® T40</b> For lubricating and non-lubricating fluids High frequency and short strokes Water hydraulics Surface texture is not suitable for gas sealing Carbon fiber filled Color: Gray	T40	NBR 70	N	-30 to +100	Steel	15
		NBR 70 Low temp.	T	-45 to +80	Steel, chrome plated (rod) Cast iron	
		FKM 70	V	-10 to +200	Stainless steel	
		EPDM 70	E**	-45 to +145	Aluminum	

Table continues on next page



Material, Applications, Properties	Code	O-Ring Material Shore A	Code	O-Ring Operating Temp. * °C	Mating Surface Material	Speed max. m/s
<b>Turcon® T46</b> For lubricated hydraulics in linear motion High compressive strength High extrusion resistance Very good sliding and wear properties BAM tested Bronze filled Color: Light to dark brown, which may have variations in shading.	T46	NBR 70	N	-30 to +100	Steel, hardened	15
		NBR 70 Low temp.	T	-45 to +80	Steel, chrome plated (rod) Cast iron	
		FKM 70	V	-10 to +200		
<b>Zurcon® Z53***</b> For mineral oil based fluids Very high abrasion and extrusion resistance For counter surface with rougher surface finish More difficult to install Limited chemical resistance Max. working temperature +110 °C Cast polyurethane Color: Yellow to light-brown	Z53	NBR 70	N	-30 to +100	Steel	2
		NBR 70 Low temp.	T	-45 to +80	Steel, hardened Steel chrome plated (rod) Cast iron Ceramic coating Stainless steel	
<b>Zurcon® Z54***</b> For mineral oil based fluids Linear and slowly turning movements High abrasion resistance For counter surface with rougher surface finish Good extrusion resistance Limited chemical resistance Max. working temperature +110 °C Cast polyurethane Color: Turquoise	Z54	NBR 70	N	-30 to +100	Steel	2
		NBR 70 Low temp.	T	-45 to +80	Steel, hardened Steel, chrome plated (rod) Cast iron Stainless steel Aluminum Ceramic coating	
<b>Zurcon® Z80</b> For lubricating and non-lubricating fluids Water based fluids, air and gases Dry air pneumatics High abrasion and extrusion resistance For service in abrasive conditions and media with particles Good chemical resistance Limited temperature capability (-60 to +80 °C) UHMWPE (Ultra High Molecular Weight Polyethylene)	Z80	NBR 70	N	-30 to (+100)	Steel	2
		NBR 70 Low temp.	T	-45 to +80	Steel, chrome plated (rod) Stainless steel Aluminum Ceramic coating	
		EPDM 70	E**	-45 to (+145)		

\* The O-Ring operating temperatures are only valid in mineral hydraulic oil (except EPDM).

\*\* Material not suitable for mineral oils.

\*\*\* Max. diameter 2,200 mm

BAM: Tested by "Bundesanstalt Materialprüfung, Germany".

Highlighted materials are recommended.





## Installation Recommendation

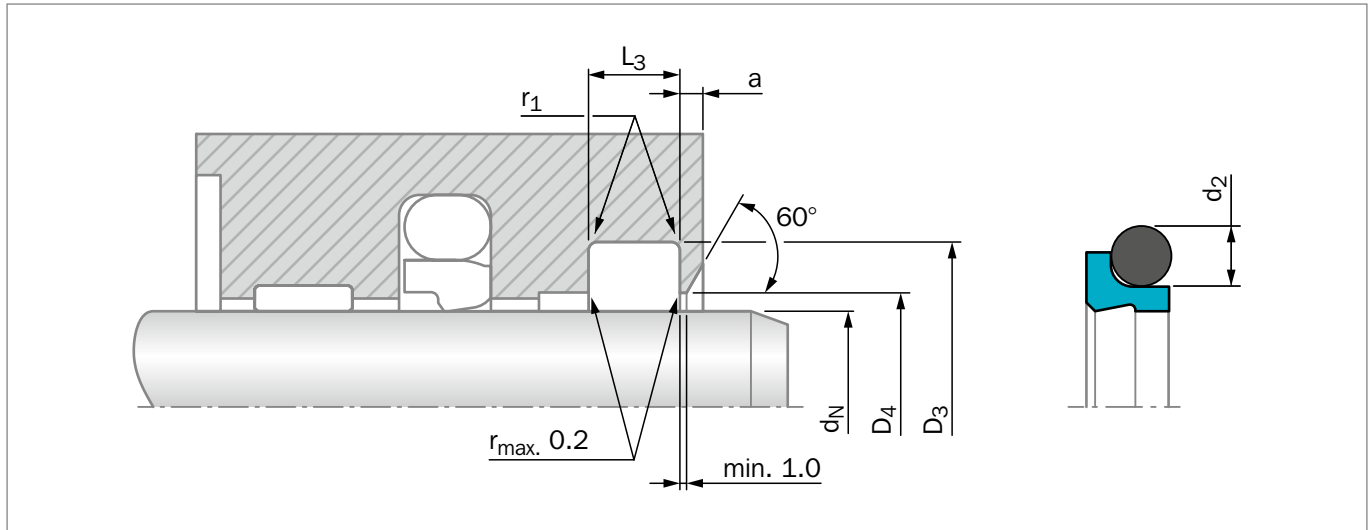


Figure 164: Installation Drawing

**Table 148: Installation Dimension - Standard Recommendations**

Series No.	Rod Diameter $d_N$ f8/h9		Groove Diameter $D_3$ H9	Groove Width $L_3$ +0.2/-0.0	Bore Diameter $D_4$ H11	Step Width $a_{min.}$	Radius $r_1$ max	O-Ring Cross Section $d_2$
	Standard Application	Available Range						
WE30	4 – 11.9	4 – 130	$d_N + 4.8$	3.7	$d_N + 1.5$	2.0	0.4	1.78
WE31	12 – 64.9	10 – 245	$d_N + 6.8$	5.0	$d_N + 1.5$	2.0	0.8	2.62
WE32	65 – 250.9	25 – 400	$d_N + 8.8$	6.0	$d_N + 1.5$	3.0	1.0	3.53
WE33	251 – 420.9	40 – 655	$d_N + 12.2$	8.4	$d_N + 2.0$	4.0	1.5	5.33
WE34	421 – 650.9	110 – 655	$d_N + 16.0$	11.0	$d_N + 2.0$	4.0	1.5	7.00
WE35	651 – 999.9	140 – 999.9	$d_N + 20.0$	14.0	$d_N + 2.5$	5.0	2.0	8.40
WE35X	1,000 - 2,600		$d_N + 20.0$	14.0	$d_N + 2.5$	5.0	2.0	8.40

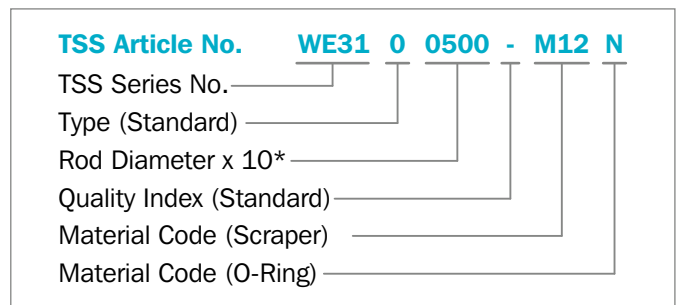
For diameters  $d_N > 400$  mm we recommend the use of Turcon® Excluder® 5.

### ORDERING EXAMPLE

Turcon® Excluder® 2 complete with O-Ring, standard application:

**Series:** WE31 from Table 148  
**Rod Diameter:**  $d_N = 50.0$  mm  
**TSS Part No.:** WE3100500 from Table 149

Select the material from Table 147. The corresponding code numbers are appended to the TSS Part No. Together these form the TSS Article Number. The TSS Article Number for all intermediate sizes can be determined by following the example:



\* For diameters  $d_N \geq 1,000.0$  mm multiply only by factor 1.  
 Example: WE35 for diameter  $d_N = 1,200.0$  mm  
 TSS Article No.: WE35X1200-M12N



Table 149: Installation Dimensions / TSS Part Numbers

Rod Dia.	Groove Dia.	Groove Width	TSS Part No.	O-Ring Size	Rod Dia.	Groove Dia.	Groove Width	TSS Part No.	O-Ring Size
$d_N$ f8/h9	$D_3$ H9	$L_3$ +0.2			$d_N$ f8/h9	$D_3$ H9	$L_3$ +0.2		
<b>4.0*</b>	<b>8.8</b>	<b>3.7</b>	<b>WE3000040</b>	<b>5.60 x 1.80</b>	55.0	61.8	5.0	WE3100550	56.82 x 2.62
<b>5.0*</b>	<b>9.8</b>	<b>3.7</b>	<b>WE3000050</b>	<b>6.70 x 1.80</b>	<b>56.0*</b>	<b>62.8</b>	<b>5.0</b>	<b>WE3100560</b>	<b>58.42 x 2.62</b>
<b>6.0*</b>	<b>10.8</b>	<b>3.7</b>	<b>WE3000060</b>	<b>7.65 x 1.78</b>	58.0	64.8	5.0	WE3100580	59.99 x 2.62
<b>8.0*</b>	<b>12.8</b>	<b>3.7</b>	<b>WE3000080</b>	<b>9.50 x 1.80</b>	60.0	66.8	5.0	WE3100600	61.60 x 2.62
<b>10.0*</b>	<b>14.8</b>	<b>3.7</b>	<b>WE3000100</b>	<b>11.8 x 1.80</b>	<b>63.0*</b>	<b>69.8</b>	<b>5.0</b>	<b>WE3100630</b>	<b>64.77 x 2.62</b>
<b>12.0*</b>	<b>18.8</b>	<b>5.0</b>	<b>WE3100120</b>	<b>13.94 x 2.62</b>	65.0	73.8	6.0	WE3200650	66.27 x 3.53
<b>14.0*</b>	<b>20.8</b>	<b>5.0</b>	<b>WE3100140</b>	<b>15.54 x 2.62</b>	<b>70.0</b>	<b>78.8</b>	<b>6.0</b>	<b>WE3200700</b>	<b>72.62 x 3.53</b>
15.0	21.8	5.0	WE3100150	17.12 x 2.62	73.0	81.8	6.0	WE3200730	75.79 x 3.53
<b>16.0</b>	<b>20.8</b>	<b>3.7</b>	<b>WE3000160</b>	<b>17.17 x 1.78</b>	75.0	83.8	6.0	WE3200750	75.79 x 3.53
<b>16.0*</b>	<b>22.8</b>	<b>5.0</b>	<b>WE3100160</b>	<b>18.00 x 2.65</b>	<b>80.0</b>	<b>88.8</b>	<b>6.0</b>	<b>WE3200800</b>	<b>82.14 x 3.53</b>
17.8	24.6	5.0	WE3100178	20.29 x 2.65	81.0	89.8	6.0	WE3200810	82.14 x 3.53
<b>18.0</b>	<b>22.8</b>	<b>3.7</b>	<b>WE3000180</b>	<b>19.00 x 1.80</b>	85.0	93.8	6.0	WE3200850	85.32 x 3.53
<b>18.0*</b>	<b>24.8</b>	<b>5.0</b>	<b>WE3100180</b>	<b>20.29 x 2.62</b>	86.0	94.8	6.0	WE3200860	88.49 x 3.53
<b>20.0</b>	<b>24.8</b>	<b>3.7</b>	<b>WE3000200</b>	<b>21.95 x 1.78</b>	88.0	96.8	6.0	WE3200880	88.49 x 3.53
<b>20.0*</b>	<b>26.8</b>	<b>5.0</b>	<b>WE3100200</b>	<b>21.89 x 2.62</b>	<b>90.0</b>	<b>98.8</b>	<b>6.0</b>	<b>WE3200900</b>	<b>91.67 x 3.53</b>
<b>22.0</b>	<b>26.8</b>	<b>3.7</b>	<b>WE3000220</b>	<b>23.52 x 1.78</b>	95.0	103.8	6.0	WE3200950	98.02 x 3.53
<b>22.0*</b>	<b>28.8</b>	<b>5.0</b>	<b>WE3100220</b>	<b>23.47 x 2.62</b>	<b>100.0</b>	<b>108.8</b>	<b>6.0</b>	<b>WE3201000</b>	<b>101.19 x 3.53</b>
24.0	30.8	5.0	WE3100240	26.64 x 2.62	105.0	113.8	6.0	WE3201050	107.54 x 3.53
<b>25.0*</b>	<b>31.8</b>	<b>5.0</b>	<b>WE3100250</b>	<b>26.64 x 2.62</b>	<b>110.0</b>	<b>118.8</b>	<b>6.0</b>	<b>WE3201100</b>	<b>110.72 x 3.53</b>
<b>28.0*</b>	<b>34.8</b>	<b>5.0</b>	<b>WE3100280</b>	<b>29.82 x 2.62</b>	115.0	123.8	6.0	WE3201150	117.07 x 3.53
29.8	36.6	5.0	WE3100298	31.42 x 2.62	120.0	128.8	6.0	WE3201200	120.24 x 3.53
30.0	34.8	3.7	WE3000300	31.47 x 1.78	<b>125.0</b>	<b>133.8</b>	<b>6.0</b>	<b>WE3201250</b>	<b>126.59 x 3.53</b>
30.0	36.8	5.0	WE3100300	31.42 x 2.62	130.0	138.8	6.0	WE3201300	132.94 x 3.53
<b>32.0*</b>	<b>38.8</b>	<b>5.0</b>	<b>WE3100320</b>	<b>34.59 x 2.62</b>	135.0	143.8	6.0	WE3201350	136.12 x 3.53
33.0	37.8	3.7	WE3000330	34.65 x 1.78	137.0	145.8	6.0	WE3201370	139.29 x 3.53
34.8	41.6	5.0	WE3100348	36.17 x 2.62	<b>140.0</b>	<b>148.8</b>	<b>6.0</b>	<b>WE3201400</b>	<b>142.47 x 3.53</b>
35.0	39.8	3.7	WE3000350	34.65 x 1.78	145.0	153.8	6.0	WE3201450	145.64 x 3.53
35.0	41.8	5.0	WE3100350	36.17 x 2.62	150.0	158.8	6.0	WE3201500	151.99 x 3.53
<b>36.0*</b>	<b>42.8</b>	<b>5.0</b>	<b>WE3100360</b>	<b>37.77 x 2.62</b>	150.0	162.2	8.4	WE3301500	151.77 x 5.33
37.0	43.8	5.0	WE3100370	39.34 x 2.62	<b>160.0</b>	<b>168.8</b>	<b>6.0</b>	<b>WE3201600</b>	<b>158.34 x 3.53</b>
<b>40.0*</b>	<b>46.8</b>	<b>5.0</b>	<b>WE3100400</b>	<b>42.52 x 2.62</b>	170.0	178.8	6.0	WE3201700	171.04 x 3.53
42.0	48.8	5.0	WE3100420	44.12 x 2.62	<b>180.0</b>	<b>188.8</b>	<b>6.0</b>	<b>WE3201800</b>	<b>177.39 x 3.53</b>
42.8	49.6	5.0	WE3100428	44.12 x 2.62	190.0	198.8	6.0	WE3201900	190.09 x 3.53
44.0	48.8	3.7	WE3000440	44.17 x 1.78	<b>200.0</b>	<b>208.8</b>	<b>6.0</b>	<b>WE3202000</b>	<b>202.79 x 3.53</b>
<b>45.0*</b>	<b>49.8</b>	<b>3.7</b>	<b>WE3000450</b>	<b>47.35 x 1.78</b>	210.0	218.8	6.0	WE3202100	209.14 x 3.53
45.0	51.8	5.0	WE3100450	47.29 x 2.62	<b>220.0</b>	<b>228.8</b>	<b>6.0</b>	<b>WE3202200</b>	<b>221.84 x 3.53</b>
49.0	55.8	5.0	WE3100490	50.47 x 2.62	230.0	238.8	6.0	WE3202300	228.19 x 3.53
<b>50.0*</b>	<b>56.8</b>	<b>5.0</b>	<b>WE3100500</b>	<b>52.07 x 2.62</b>	240.0	248.8	6.0	WE3202400	240.89 x 3.53
<b>50.0</b>	<b>62.2</b>	<b>8.4</b>	<b>WE3300500</b>	<b>53.34 x 5.33</b>	<b>250.0</b>	<b>258.8</b>	<b>6.0</b>	<b>WE3202500</b>	<b>253.59 x 3.53</b>
54.0	60.8	5.0	WE3100540	55.25 x 2.62	260.0	272.2	8.4	WE3302600	253.37 x 5.33



Rod Dia.	Groove Dia.	Groove Width	TSS Part No.	O-Ring Size
$d_N$ f8/h9	$D_3$ H9	$L_3$ +0.2		
<b>280.0</b>	<b>292.2</b>	<b>8.4</b>	<b>WE3302800</b>	<b>278.77 x 5.33</b>
300.0	312.2	8.4	WE3303000	304.17 x 5.33
<b>320.0</b>	<b>332.2</b>	<b>8.4</b>	<b>WE3303200</b>	<b>329.57 x 5.33</b>
350.0	362.2	8.4	WE3303500	354.97 x 5.33
<b>360.0</b>	<b>372.2</b>	<b>8.4</b>	<b>WE3303600</b>	<b>354.97 x 5.33</b>
370.0	382.2	8.4	WE3303700	365.00 x 5.30
400.0	412.2	8.4	WE3304000	405.26 x 5.33
500.0	516.0	11.0	WE3405000	494.16 x 7.00
600.0	616.0	11.0	WE3406000	608.08 x 7.00
700.0	720.0	14.0	WE3507000	705 x 8.40
800.0	820.0	14.0	WE3508000	805 x 8.40
900.0	920.0	14.0	WE3509000	905 x 8.40
1,200.0	1,220.0	14.0	WE35X1200	1,205 x 8.40
1,800.0	1,820.0	14.0	WE35X1800	1,805 x 8.40
2,600.0	2,620.0	14.0	WE35X2600	2,605 x 8.40

The rod diameters in **bold** type comply with the recommendations of ISO 3,320.

\* Installation in grooves according to ISO 6,195 Type D

# Turcon® Excluder® 5



---

Double-acting

---

Rubber-energized Double-acting Scraper

**Material:**

Turcon®, Zurcon® and Elastomer

---



---

! This page is intentionally left blank.



## Turcon® Excluder® 5\*



### Description

Turcon® Excluder® 5 is a patented double-acting scraper with scraper lip and sealing lip, positioned back-to-back. The scraper is installed with an O-Ring as elastic energizing element in one groove. The scraper function is performed by the Excluder® 5 Turcon® element. The O-Ring maintains the pressure of the scraper lips against the sliding surface and can compensate deflections of the piston rod.

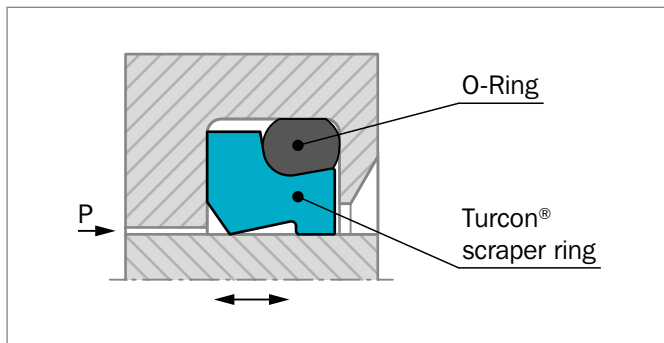


Figure 165: Turcon® Excluder® 5

Excluder® 5 has two functions:

- Scrape contaminants from the retracting piston rod to protect the system from soiling
- Hold back the residual oil film on the extending piston rod on the medium side.

Excluder® 5 is used in conjunction with our rod seals Turcon® Stepseal® 2K, Turcon® VL Seal® or Zurcon® Rimseal, i.e. seals with a hydrodynamic back-pumping function. In contrast to Excluder® 2, they are used particularly for heavy-duty applications such as in construction machinery, presses, etc.

### ADVANTAGES

- Outstanding sliding properties
- Stick-slip-free, no sticking (Turcon® material)
- Tough scraper for heavy-duty operation
- Can compensate for deflections of the piston rod or plunger
- Very good scraping effect even against firmly adhered dirt, etc.
- Very good scraping effect from the inside against the residual oil film adhering to the surface of the piston rod
- Identical installation with that of the Zurcon® Excluder® 500
- Very high resistance to hydraulic media

- Available for all diameters up to 2,600 mm (Turcon®), up to 2,200 mm (Zurcon® Z53/Z54).
- ISO 6195 Type D installation dimensions from diameter 40 mm

### OPERATING CONDITIONS

<b>Speed:</b>	Up to 15 m/s for Turcon® materials Up to 2 m/s for Zurcon® materials
<b>Temperature:</b>	-45 °C to +200 °C (Turcon®) -45 °C to +110 °C (Zurcon® Z53/Z54) -60 °C to +80 °C (Zurcon® Z80) depending on O-Ring material
<b>Media:</b>	Mineral oil-based hydraulic fluids, flame retardant hydraulic fluids, environmentally friendly hydraulic fluids (bio-oils), phosphate ester, water, air and others, depending on the scraper and O-Ring material compatibility.

### IMPORTANT NOTE

The above data are maximum values and cannot be used at the same time, e.g. the maximum operating speed depends on material type, pressure, temperature and gap value. Temperature range also depends on media.

### INSTALLATION INSTRUCTIONS

Excluder® 5 scrapers can be installed in split and closed grooves installation dimensions, see Table 150.

Installation in closed grooves depends on the rod diameter, profile cross-section of the scraper and on the cross section of the corresponding O-Ring, see Table 152.

**Table 150: Installation in Closed Grooves**

Turcon® Excluder® 5 Series No.	Rod Diameter $d_N$	O-Ring Cross Section $d_2$
WE50	> 30.0	2.62
WE51	> 40.0	2.62
WE52	> 70.0	3.53
WE53	> 100.0	5.33
WE54	> 140.0	7.00
WE55	> 180.0	8.40

\* Patent application: EP 0 235 568 A2



**RECOMMENDED MATERIALS**

The following material combinations have proven effective for most applications:

**Turcon® Excluder® 5 in Turcon® M12**

All round material for light to heavy hydraulic applications with linear, short stroke or helical movements in mineral oils, flame retardant hydraulic fluids, phosphate ester, bio-oils or fluids having low lubricating properties:

O-Ring:       NBR 70 Shore A     N  
                  FKM 70 Shore A     V

Set code:     M12N or M12V

**Turcon® Excluder® 5 in Turcon® T46**

For medium to heavy applications with linear movements in mineral oils and other media with good lubrication:

O-Ring:       NBR 70 Shore A     N  
                  FKM 70 Shore A     V

Set code:     T46N or T46V

For specific applications, all Turcon® materials are available.

Other material combinations are listed in Table 151.

**Table 151: Turcon® and Zurcon® Materials for Excluder® 5**

Material, Applications, Properties	Code	O-Ring Material Shore A	Code	O-Ring Operating Temp. * °C	Mating Surface Material	Speed max. m/s
<b>Turcon® M12</b> First material choice for linear motion Overall improved properties For new constructions and updating For all commonly applied hydraulic fluids including fluids with low lubrication performance Lowest friction and best sliding properties Lowest wear on scrapers Improved absorption of abrasive contaminants Low wear or abrasion of counter surface BAM tested Mineral fiber and Additives filled Color: Dark gray	M12	NBR 70	N	-30 to +100	Steel Steel, hardened Steel, chrome plated (rod) Cast iron Stainless steel Titanium	15
		NBR 70 Low temp.	T	-45 to +80		
		FKM 70	V	-10 to +200		
<b>Turcon® T40</b> For lubricating and non-lubricating fluids High frequency and short strokes Water hydraulics Surface texture is not suitable for gas sealing Carbon fiber filled Color: Gray	T40	NBR 70	N	-30 to +100	Steel Steel, chrome plated (rod) Cast iron Stainless steel Aluminum	15
		NBR 70 Low temp.	T	-45 to +80		
		FKM 70	V	-10 to +200		
		EPDM 70	E**	-45 to +145		

Table continues on next page



Material, Applications, Properties	Code	O-Ring Material Shore A	Code	O-Ring Operating Temp. * °C	Mating Surface Material	Speed max. m/s
<b>Turcon® T46</b> For lubricated hydraulics in linear motion High compressive strength High extrusion resistance Very good sliding and wear properties BAM tested Bronze filled Color: Light to dark brown, which may have variations in shading.	T46	NBR 70	N	-30 to +100	Steel, hardened	15
		NBR 70 Low temp.	T	-45 to +80	Steel, chrome plated (rod) Cast iron	
		FKM 70	V	-10 to +200		
<b>Zurcon® Z53***</b> For mineral oil based fluids Linear and slowly turning movements Very high abrasion and extrusion resistance For counter surface with rougher surface finish More difficult to install Limited chemical resistance Max. working temperature 110 °C Cast polyurethane Color: Yellow to light-brown	Z53	NBR 70	N	-30 to +100	Steel	2
		NBR 70 Low temp.	T	-45 to +80	Steel, hardened Steel chrome plated (rod) Cast iron Ceramic coating Stainless steel	
<b>Zurcon® Z54***</b> For mineral oil based fluids High abrasion resistance For counter surface with rougher surface finish Good extrusion resistance Limited chemical resistance Max. working temperature 110 °C Cast polyurethane Color: Turquoise	Z54	NBR 70	N	-30 to +100	Steel	1
		NBR 70 Low temp.	T	-45 to +80	Steel, hardened Steel, chrome plated (rod) Cast iron Stainless steel Aluminum Ceramic coating	
<b>Zurcon® Z80</b> For lubricating and non-lubricating fluids Water based fluids, air and gases Dry air pneumatics High abrasion and extrusion resistance For service in abrasive conditions and media with particles Good chemical resistance Limited temperature capability (-60 to +80 °C) UHMWPE (Ultra High Molecular Weight Polyethylene)	Z80	NBR 70	N	-30 to (+100)	Steel	2
		NBR 70 Low temp.	T	-45 to +80	Steel, chrome plated (rod) Stainless steel	
		EPDM 70	E**	-45 to (+145)	Aluminum Ceramic coating	

\* The O-Ring Operation Temperature is only valid in mineral hydraulic oil (except EPDM).

\*\* Material not suitable for mineral oils.

\*\*\* Max. diameter 2,200 mm

BAM: Tested by "Bundesanstalt Materialprüfung, Germany".

Highlighted materials are recommended.





## ■ Installation Recommendation

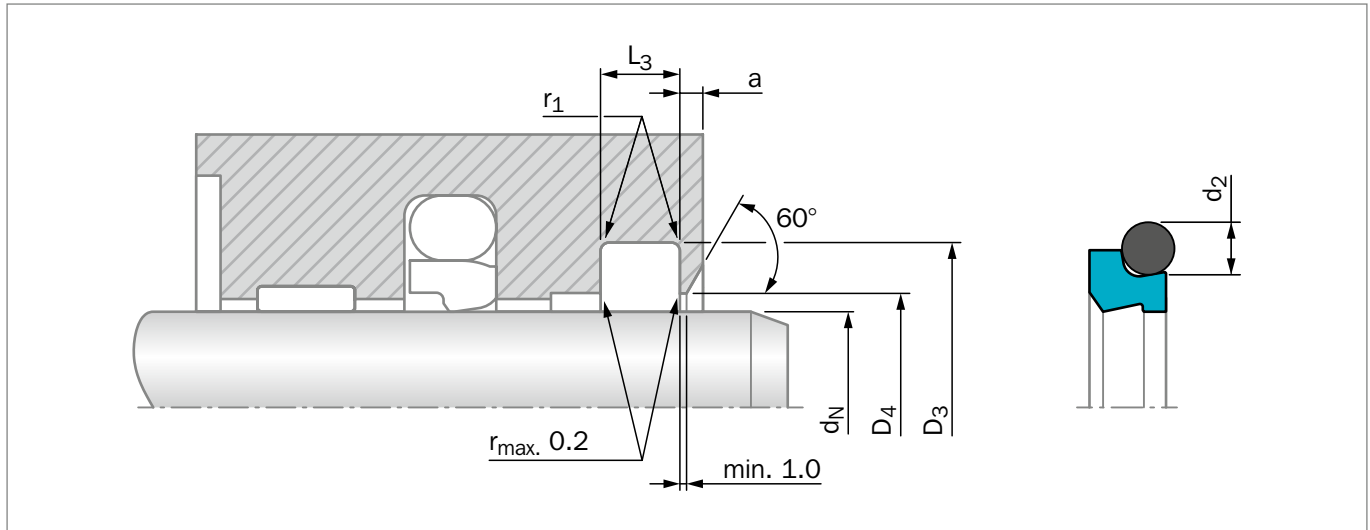


Figure 166: Installation Drawing

**Table 152: Installation Dimensions – Standard Recommendations**

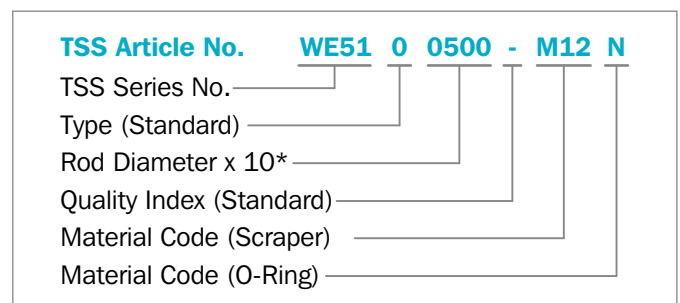
Series No.	Rod Diameter $d_N$ f8/h9		Groove Diameter $D_3$ H9	Groove Width $L_3$ +0.2/-0.0	Bore Diameter $D_4$ H11	Step Width $a_{min}$	Radius $r_1$ max	O-Ring Cross Section $d_2$
	Standard Application	Available Range						
WE50	19 – 39.9	19 – 100.0	$d_N + 7.6$	4.2	$d_N + 1.5$	3.0	0.8	2.62
WE51	40 – 69.9	30 – 200.0	$d_N + 8.8$	6.3	$d_N + 1.5$	3.0	1.0	2.62
WE52	70 – 139.9	50 – 360.0	$d_N + 12.2$	8.1	$d_N + 2.0$	4.0	1.0	3.53
WE53	140 – 399.9	100 – 650.0	$d_N + 16.0$	9.5	$d_N + 2.5$	5.0	1.5	5.33
WE54	400 – 649.9	200 – 650.0	$d_N + 24.0$	14.0	$d_N + 2.5$	8.0	1.5	7.00
WE55	650 – 999.9	400 – 999.9	$d_N + 27.3$	16.0	$d_N + 2.5$	10.0	2.0	8.40
WE55X	1,000 - 2,600		$d_N + 27.3$	16.0	$d_N + 2.5$	10.0	2.0	8.40

### ORDERING EXAMPLE

Turcon® Excluder® 5 complete with O-Ring, standard application:

<b>Series:</b>	WE51 from Table 152
<b>Rod Diameter:</b>	$d_N = 50.0$ mm
<b>TSS Part No.:</b>	WE5100500 from Table 153

Select the material from Table 151. The corresponding code numbers are appended to the TSS Part No. Together these form the TSS Article Number. The TSS Article Number for all intermediate sizes can be determined by following the example:



\* For diameters  $d_N \geq 1,000.0$  mm multiply only by factor 1.  
 Example: WE55 for diameter  $d_N = 1,200.0$  mm  
 TSS Article No.: WE55X1200-M12N



Table 153: Installation Dimensions / TSS Part No.

Rod Dia.	Groove Dia.	Groove Width	TSS Part No.	O-Ring Size	Rod Dia.	Groove Dia.	Groove Width	TSS Part No.	O-Ring Size
$d_N$ f8/h9	$D_3$ H9	$L_3$ +0.2			$d_N$ f8/h9	$D_3$ H9	$L_3$ +0.2		
19.0	26.6	4.2	WE5000190	21.89 x 2.62	125.4	137.6	8.1	WE5201254	129.77 x 3.53
<b>20.0</b>	<b>27.6</b>	<b>4.2</b>	<b>WE5000200</b>	<b>21.89 x 2.62</b>	130.0	142.2	8.1	WE5201300	136.12 x 3.53
<b>22.0</b>	<b>29.6</b>	<b>4.2</b>	<b>WE5000220</b>	<b>25.07 x 2.62</b>	135.0	147.2	8.1	WE5201350	139.29 x 3.53
<b>25.0</b>	<b>32.6</b>	<b>4.2</b>	<b>WE5000250</b>	<b>28.24 x 2.62</b>	<b>140.0*</b>	<b>152.2</b>	<b>8.1</b>	<b>WE5201400</b>	<b>145.64 x 3.53</b>
<b>28.0</b>	<b>35.6</b>	<b>4.2</b>	<b>WE5000280</b>	<b>29.82 x 2.62</b>	<b>140.0*</b>	<b>156.0</b>	<b>9.5</b>	<b>WE5301400</b>	<b>145.42 x 5.33</b>
30.0	37.6	4.2	WE5000300	32.99 x 2.62	140.5	156.5	9.5	WE5301405	145.42 x 5.33
<b>32.0</b>	<b>39.6</b>	<b>4.2</b>	<b>WE5000320</b>	<b>34.59 x 2.62</b>	150.0	166.0	9.5	WE5301500	151.77 x 5.33
35.0	42.6	4.2	WE5000350	37.77 x 2.62	153.0	169.0	9.5	WE5301530	158.12 x 5.33
<b>36.0</b>	<b>43.6</b>	<b>4.2</b>	<b>WE5000360</b>	<b>37.77 x 2.62</b>	155.0	171.0	9.5	WE5301550	158.12 x 5.33
<b>40.0*</b>	<b>48.8</b>	<b>6.3</b>	<b>WE5100400</b>	<b>44.12 x 2.62</b>	<b>160.0*</b>	<b>172.2</b>	<b>8.1</b>	<b>WE5201600</b>	<b>164.69 x 3.53</b>
42.0	50.8	6.3	WE5100420	45.69 x 2.62	<b>160.0*</b>	<b>176.0</b>	<b>9.5</b>	<b>WE5301600</b>	<b>164.47 x 5.33</b>
<b>45.0*</b>	<b>53.8</b>	<b>6.3</b>	<b>WE5100450</b>	<b>48.90 x 2.62</b>	165.0	181.0	9.5	WE5301650	170.82 x 5.33
48.0	56.8	6.3	WE5100480	52.07 x 2.62	170.0	186.0	9.5	WE5301700	177.17 x 5.33
<b>50.0*</b>	<b>58.8</b>	<b>6.3</b>	<b>WE5100500</b>	<b>53.64 x 2.62</b>	175.0	191.0	9.5	WE5301750	177.17 x 5.33
52.0	60.8	6.3	WE5100520	55.25 x 2.62	<b>180.0*</b>	<b>192.2</b>	<b>8.1</b>	<b>WE5201800</b>	<b>183.74 x 3.53</b>
55.0	63.8	6.3	WE5100550	58.42 x 2.62	<b>180.0*</b>	<b>196.0</b>	<b>9.5</b>	<b>WE5301800</b>	<b>183.52 x 5.33</b>
<b>56.0*</b>	<b>64.8</b>	<b>6.3</b>	<b>WE5100560</b>	<b>59.99 x 2.62</b>	188.2	204.2	9.5	WE5301882	189.87 x 5.33
60.0	67.6	4.2	WE5000600	63.17 x 2.62	190.0	206.0	9.5	WE5301900	196.22 x 5.33
60.0	68.8	6.3	WE5100600	63.17 x 2.62	<b>200.0*</b>	<b>212.2</b>	<b>8.1</b>	<b>WE5202000</b>	<b>202.79 x 3.53</b>
<b>63.0*</b>	<b>71.8</b>	<b>6.3</b>	<b>WE5100630</b>	<b>66.34 x 2.62</b>	<b>200.0*</b>	<b>216.0</b>	<b>9.5</b>	<b>WE5302000</b>	<b>202.57 x 5.33</b>
65.0	73.8	6.3	WE5100650	67.95 x 2.62	<b>220.0*</b>	<b>232.2</b>	<b>8.1</b>	<b>WE5202200</b>	<b>221.84 x 3.53</b>
<b>70.0*</b>	<b>78.8</b>	<b>6.3</b>	<b>WE5100700</b>	<b>72.69 x 2.62</b>	<b>220.0*</b>	<b>236.0</b>	<b>9.5</b>	<b>WE5302200</b>	<b>221.62 x 5.33</b>
<b>70.0*</b>	<b>82.2</b>	<b>8.1</b>	<b>WE5200700</b>	<b>75.79 x 3.53</b>	240.0	256.0	9.5	WE5302400	247.02 x 5.33
75.0	87.2	8.1	WE5200750	78.97 x 3.53	<b>250.0*</b>	<b>262.2</b>	<b>8.1</b>	<b>WE5202500</b>	<b>253.59 x 3.53</b>
<b>80.0*</b>	<b>88.8</b>	<b>6.3</b>	<b>WE5100800</b>	<b>82.22 x 2.62</b>	<b>250.0*</b>	<b>266.0</b>	<b>9.5</b>	<b>WE5302500</b>	<b>253.37 x 5.33</b>
<b>80.0*</b>	<b>92.2</b>	<b>8.1</b>	<b>WE5200800</b>	<b>85.32 x 3.53</b>	260.0	276.0	9.5	WE5302600	266.07 x 5.33
85.0	97.2	8.1	WE5200850	88.49 x 3.53	270.0	286.0	9.5	WE5302700	278.77 x 5.33
<b>90.0*</b>	<b>98.8</b>	<b>6.3</b>	<b>WE5100900</b>	<b>94.92 x 2.62</b>	<b>280.0*</b>	<b>292.2</b>	<b>8.1</b>	<b>WE5202800</b>	<b>278.99 x 3.53</b>
<b>90.0*</b>	<b>102.2</b>	<b>8.1</b>	<b>WE5200900</b>	<b>94.84 x 3.53</b>	<b>280.0*</b>	<b>296.0</b>	<b>9.5</b>	<b>WE5302800</b>	<b>278.77 x 5.33</b>
92.5	104.7	8.1	WE5200925	98.02 x 3.53	300.0	316.0	9.5	WE5303000	304.17 x 5.33
95.0	107.2	8.1	WE5200950	101.19 x 3.53	<b>320.0*</b>	<b>332.2</b>	<b>8.1</b>	<b>WE5203200</b>	<b>329.79 x 3.53</b>
<b>100.0*</b>	<b>108.8</b>	<b>6.3</b>	<b>WE5101000</b>	<b>101.27 x 2.62</b>	<b>320.0*</b>	<b>336.0</b>	<b>9.5</b>	<b>WE5303200</b>	<b>329.57 x 5.33</b>
<b>100.0*</b>	<b>112.2</b>	<b>8.1</b>	<b>WE5201000</b>	<b>104.37 x 3.53</b>	330.0	346.0	9.5	WE5303300	329.57 x 5.33
105.0	117.2	8.1	WE5201050	110.72 x 3.53	350.0	366.0	9.5	WE5303500	354.97 x 5.33
<b>110.0*</b>	<b>118.8</b>	<b>6.3</b>	<b>WE5101100</b>	<b>113.97 x 2.62</b>	<b>360.0*</b>	<b>372.2</b>	<b>8.1</b>	<b>WE5203600</b>	<b>355.19 x 3.53</b>
<b>110.0*</b>	<b>122.2</b>	<b>8.1</b>	<b>WE5201100</b>	<b>113.89 x 3.53</b>	<b>360.0*</b>	<b>376.0</b>	<b>9.5</b>	<b>WE5303600</b>	<b>365.00 x 5.30</b>
115.0	127.2	8.1	WE5201150	120.24 x 3.53	380.0	396.0	9.5	WE5303800	380.37 x 5.33
120.0	132.2	8.1	WE5201200	123.42 x 3.53	400.0	424.0	14.0	WE5404000	405.26 x 7.00
<b>125.0*</b>	<b>133.8</b>	<b>6.3</b>	<b>WE5101250</b>	<b>126.67 x 2.62</b>	440.0	464.0	14.0	WE5404400	443.36 x 7.00
<b>125.0*</b>	<b>137.2</b>	<b>8.1</b>	<b>WE5201250</b>	<b>129.77 x 3.53</b>	450.0	474.0	14.0	WE5404500	456.06 x 7.00



<b>Rod Dia.</b>	<b>Groove Dia.</b>	<b>Groove Width</b>	<b>TSS Part No.</b>	<b>O-Ring Size</b>
<b>d<sub>N</sub></b> f8/h9	<b>D<sub>3</sub></b> H9	<b>L<sub>3</sub></b> +0.2		
480.0	504.0	14.0	<a href="#">WE5404800</a>	481.38 x 7.00
500.0	524.0	14.0	<a href="#">WE5405000</a>	506.86 x 7.00
560.0	584.0	14.0	<a href="#">WE5405600</a>	557.66 x 7.00
600.0	624.0	14.0	<a href="#">WE5406000</a>	608.08 x 7.00
650.0	677.3	16.0	<a href="#">WE5506500</a>	662 x 8.40
680.0	707.3	16.0	<a href="#">WE5506800</a>	692 x 8.40
700.0	727.3	16.0	<a href="#">WE5507000</a>	712 x 8.40
750.0	777.3	16.0	<a href="#">WE5507500</a>	762 x 8.40
800.0	827.3	16.0	<a href="#">WE5508000</a>	812 x 8.40
850.0	877.3	16.0	<a href="#">WE5508500</a>	862 x 8.40
900.0	927.3	16.0	<a href="#">WE5509000</a>	912 x 8.40
950.0	977.3	16.0	<a href="#">WE5509500</a>	962 x 8.40
1,000.0	1,027.3	16.0	<a href="#">WE55X1000</a>	1,012 x 8.40
1,800.0	1,827.3	16.0	<a href="#">WE55X1800</a>	1,812 x 8.40
2,600.0	2,627.3	16.0	<a href="#">WE55X2600</a>	2,612 x 8.40

The rod diameters in **bold** type comply with the recommendations of ISO 3320.

\* Installation in grooves according to ISO 6195 Type D

# Zurcon® Excluder® Z



---

Injection Molded

---

Rubber-energized Double-acting Scraper

---

**Material:**

Zurcon® Z13 and Elastomer

---



---

! This page is intentionally left blank.



## ZURCON® EXCLUDER® Z



### Description

Zurcon® Excluder® Z is a new injection molded O-Ring energized double-acting scraper made from Zurcon® Z13 and fitting into 6195 type D grooves.

The O-Ring maintains the correct contact pressure on the lips and compensates for temperature conditions and rod deflection.

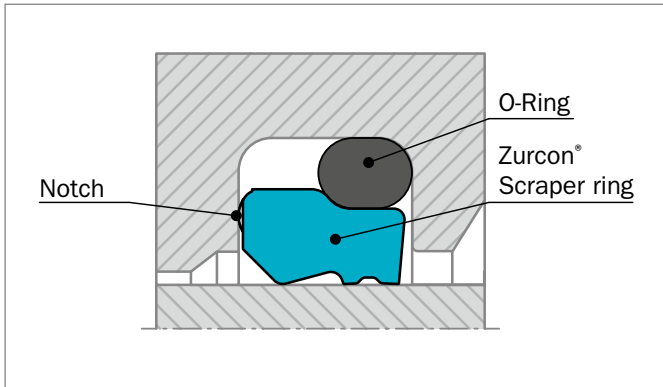


Figure 167: Zurcon® Excluder® Z

The seal has three areas, each performing a specific task: scraping, sealing and support lip (see Figure 169).

Dividing each portion of the profile into several sections, it was possible to optimize angles and the radius to achieve each function while maintaining the stability necessary to cope with different application conditions.

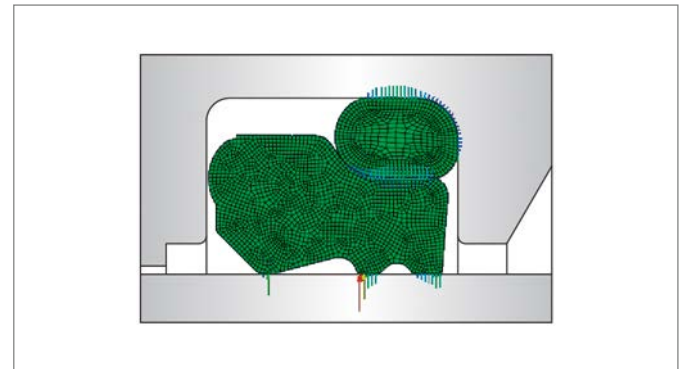


Figure 168: Contact pressure after assembly

Zurcon® Excluder® Z is designed to control fluid film during outstroke and instroke and is able to cope with hydraulic pressure coming from the system, provided it is used in combination with a primary or secondary seal with good back-pumping abilities like Zurcon® U-Cup RU9, Zurcon® L-Cup® or Zurcon® Rimseal.

Especially when used in tandem with a primary seal, this new design promises to give an effective solution for modern hydraulic applications.

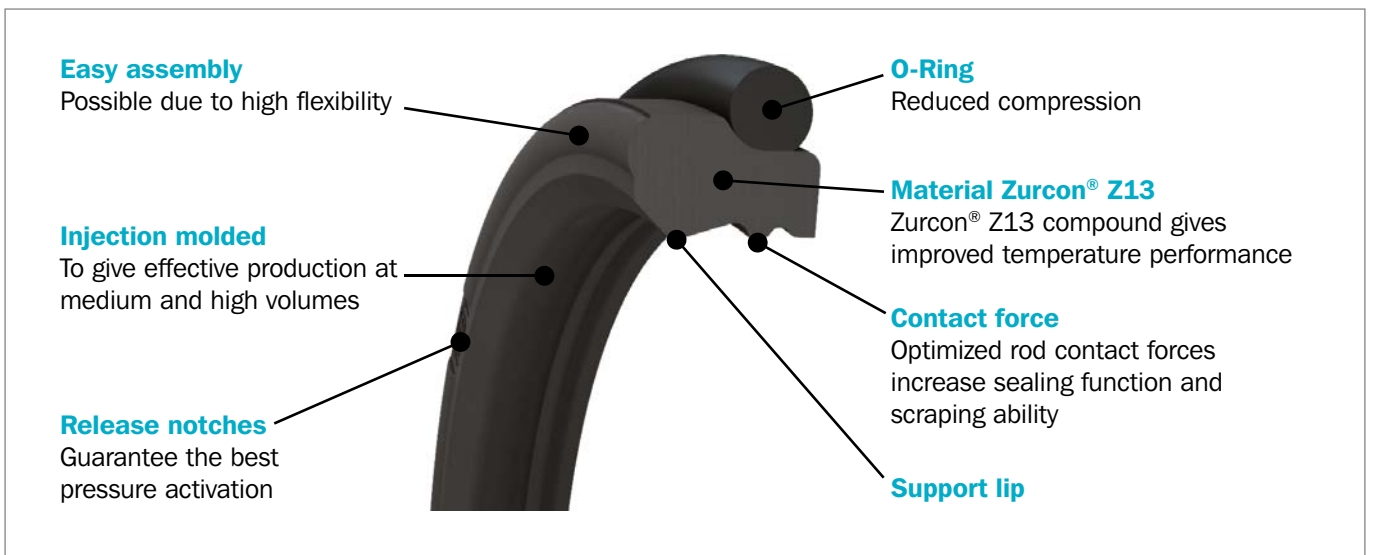


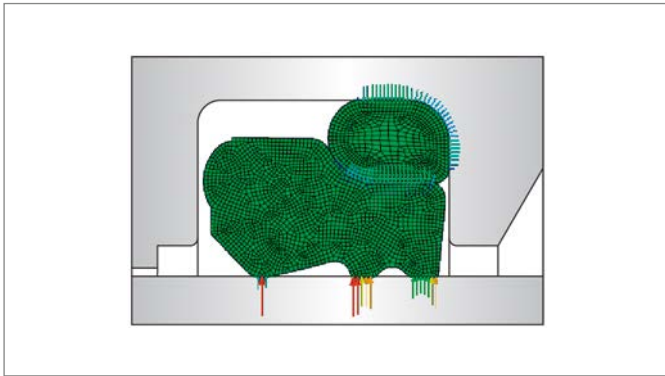
Figure 169: Zurcon® Excluder® Z design features



### METHOD OF OPERATION

Notches guarantee optimal pressure activation of the O-Ring even with poor tolerance combinations of groove, seal and temperature. In order to improve performance throughout a wide range of application conditions, stability in the groove is of critical importance. Zurcon® Excluder® Z has a very stable design due to:

- Equal scraping, sealing and support on the inner diameter
- Lower O-Ring compression



In accordance with the optimum sealing technology specifications, Zurcon® Excluder® Z is designed to control fluid film during outstroke and instroke, due to the optimized shape of the scraping lip and improved production process.

### ADVANTAGES

Zurcon® Excluder® Z has increased scraping and sealing capabilities from the optimized rod contact force distribution. Additionally, the compound also increases the temperature range up to +110 °C and greatly improves chemical compatibility with new generation hydraulic fluids.

Zurcon® Z13 is also available in injection molded tubes that allow machining of parts in low volumes and increases the diameter range above an injection machine's normal constraints.

Polyurethane materials have excellent abrasion resistance characteristics that guarantee a good scraping effect even in heavy-duty applications or when operating in harsh environments

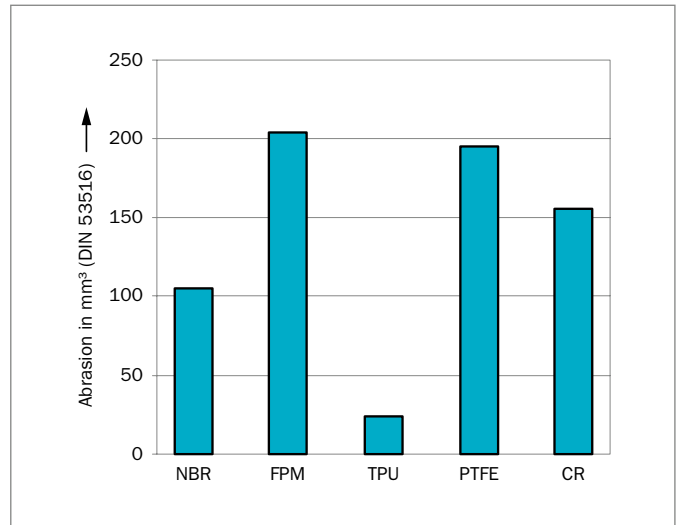


Figure 170: Comparison of abrasion resistance for different materials

Calibrated rod contact pressure and reduced friction when the oil film is controlled make Zurcon® Excluder® Z an excellent choice as a scraping element in Lubrication Management configurations.

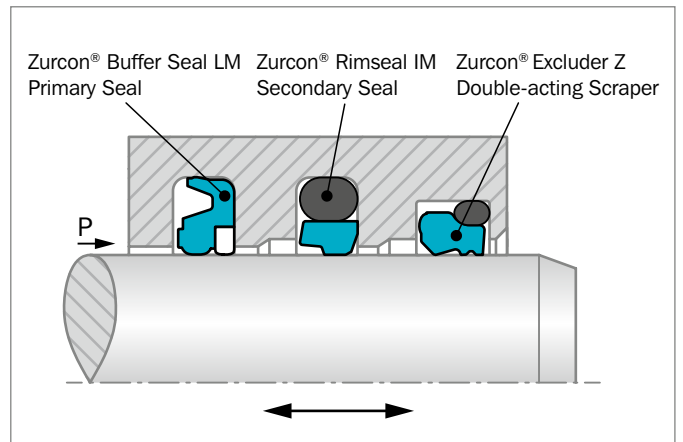


Figure 171: Tandem configuration



## APPLICATION EXAMPLES

Excellent abrasion resistance and high activation force from the compressed O-Ring provide high scraping efficiency and compensate for any deflections of the piston rod in harsh environments. The closed groove installation protects the lip from damage. Zurcon® Excluder® Z is recommended for medium- and heavy-duty applications:

- Construction machinery
- Earth moving equipment
- Mobile hydraulics
- Machine tools
- Truck cranes
- Fork lifts

## OPERATING CONDITIONS

<b>Speed:</b>	1 m/s
<b>Temperature:</b>	-45 °C to +110 °C depending on O-Ring material
<b>Media:</b>	Mineral oil, synthetic and natural esters, HEES/HETG up to +60 °C, flame retardant fluids HFA, special optimized for flame retardant fluids (HFC) up to +60 °C
<b>Installation:</b>	Standard mounting in closed grooves. For $\varnothing < 25$ mm request a split groove. No recalibration needed for installation in closed groove. ISO 6195 Type D installation dimensions from diameter 40 mm

### IMPORTANT NOTE

The above data are maximum values and cannot be used at the same time, e.g. the maximum operating speed depends on pressure, temperature and gap value. A combination of pressure and speed might cause local heat increases, so care should be taken when evaluating high values for the above parameters simultaneously.

## MATERIAL

Zurcon® Z13 is the 60 ShD TPU that combines excellent mechanical and elastic material properties:

- Temperature range from -45 ° to +110 °C
- (for short periods, up to +120°C)
- Good combination of elasticity and tensile strength
- Low friction
- Excellent chemical compatibility
- Low compression set at high temperatures

**Table 154: Material Recommendation**

Code	O-Ring Material Shore A	Code	O-Ring Temp. °C*
Z13	NBR 70	N	-30 to +100
	NBR 70 Low temp.	T	-45 to +80
	HNBR 70	H	-30 to +110
	FKM 70	V	-10 to (+200)

\* The O-Ring operation temperature is only valid in hydraulic mineral oil.

**Table 155: Z13 Chemical compatibility: General guideline (Laboratory compatibility tests 1,008 hours)**

FLUIDS TYPE	DIN / ISO Code	Temperatur	Result
Mineral Oils	HLP	+110 °C	Excellent
	HVLP		
	HLPD		
Synthetics fluids	HEES	+80 °C to +100 °C	Excellent
	HEPG (PAG)	+60 °C	Good
	HEPR (PAO)	+100 °C	Excellent
Water based fluids	HFA	+60 °C to +60 °C	Good
	HFC	+60 °C	Excellent
Synthetics water free fluids	HFDU	+100 °C	Excellent

The above results must be considered as general guidelines. We recommend verifying the compound compatibility with the specific fluids and temperature conditions experienced in the application.





## Installation Recommendation

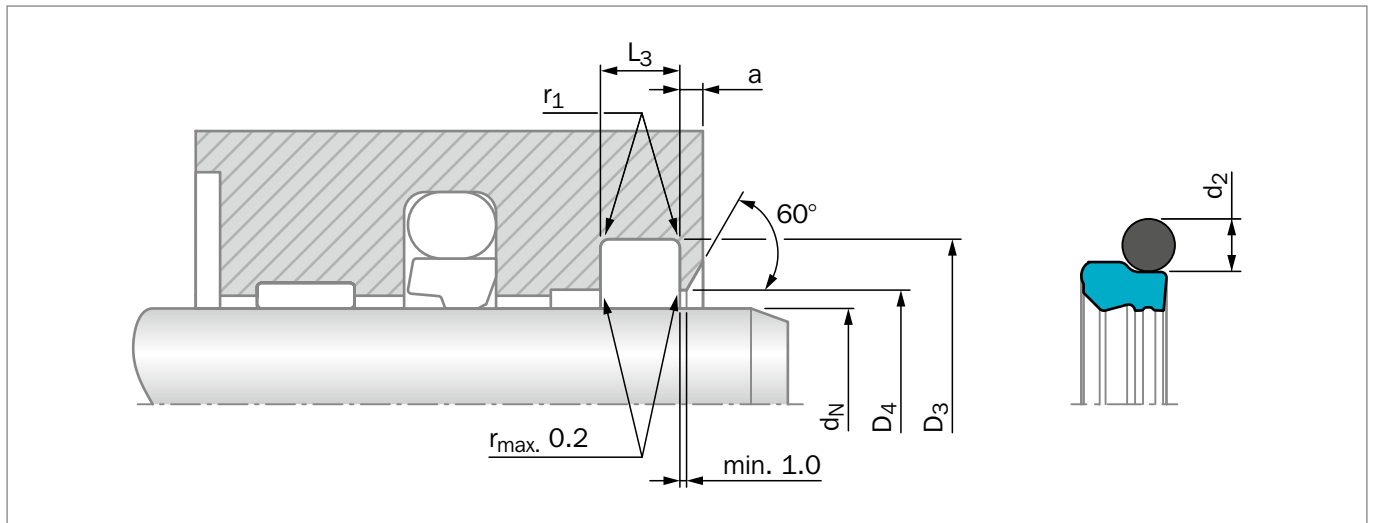


Figure 172: Installation Drawing

**Table 156: Installation Dimensions – Standard Recommendations**

Series No.	Rod Diameter $d_N$ f8/h9		Groove Diameter	Groove Width	Bore Diameter	Step Width	Radius	O-Ring Cross Section
	Standard Application	Available Range	$D_3$ H11	$L_3$ +0.2	$D_4$ H11	$a_{min}$	$r_1$ max	$d_2$
WEB0	19 – 39.9	19 – 100.0	$d_N + 7.6$	4.2	$d_N + 1.5$	3.0	0.8	2.62
WEB1	40 – 69.9	30 – 200.0	$d_N + 8.8$	6.3	$d_N + 1.5$	3.0	1.0	2.62
WEB2	70 – 139.9	70 – 360.0	$d_N + 12.2$	8.1	$d_N + 2.0$	4.0	1.0	3.53
WEB3	140 – 399.9*	100 – 399.9*	$d_N + 16.0$	9.5	$d_N + 2.5$	5.0	1.5	5.33

\* max. diameter for Zurcon® Z13 injection molded tubes for machining is 423 mm OD

### ORDERING EXAMPLE

Zurcon® Excluder Z complete with O-Ring:

**Rod Diameter:**  $d_N = 50.0$  mm

**Groove Width:**  $L_1 = 6.3$  mm

**TSS Part No.:** WEB100500

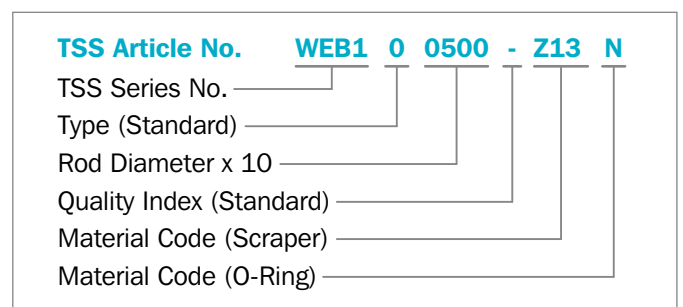




Table 157: Installation Dimensions / TSS Part No.

Rod Diameter	Groove Diameter	Groove Width	Radius	TSS Part No.	O-Ring Size
$d_N$ f8/h9	$D_1$ H9	$L_3$ +0.2	$D_4$ H11		
<b>22.0</b>	<b>29.6</b>	<b>4.2</b>	<b>23.5</b>	<b>WEB000220</b>	<b>25.07 x 2.62</b>
<b>25.0</b>	<b>32.6</b>	<b>4.2</b>	<b>26.5</b>	<b>WEB000250</b>	<b>28.24 x 2.62</b>
<b>28.0</b>	<b>35.6</b>	<b>4.2</b>	<b>29.5</b>	<b>WEB000280</b>	<b>29.82 x 2.62</b>
30.0	37.6	4.2	31.5	WEB000300	32.99 x 2.62
35.0	42.6	4.2	36.5	WEB000350	37.77 x 2.62
<b>*40.0</b>	<b>48.8</b>	<b>6.3</b>	<b>41.5</b>	<b>WEB100400</b>	<b>44.12 x 2.62</b>
<b>*45.0</b>	<b>53.8</b>	<b>6.3</b>	<b>46.5</b>	<b>WEB100450</b>	<b>48.90 x 2.62</b>
<b>*50.0</b>	<b>58.8</b>	<b>6.3</b>	<b>51.5</b>	<b>WEB100500</b>	<b>53.64 x 2.62</b>
60.0	68.8	6.3	61.5	WEB100600	63.17 x 2.62
65.0	73.8	6.3	66.5	WEB100650	67.95 x 2.62
<b>*70.0</b>	<b>82.2</b>	<b>8.1</b>	<b>72.0</b>	<b>WEB200700</b>	<b>75.79 x 3.53</b>
<b>*80.0</b>	<b>92.2</b>	<b>8.1</b>	<b>82.0</b>	<b>WEB200800</b>	<b>85.32 x 3.53</b>
85.0	97.2	8.1	87.0	WEB200850	88.49 x 3.53
<b>*90.0</b>	<b>102.2</b>	<b>8.1</b>	<b>92.0</b>	<b>WEB200900</b>	<b>94.84 x 3.53</b>
95.0	107.2	8.1	97.0	WEB200950	101.19 x 3.53
<b>*100.0</b>	<b>112.2</b>	<b>8.1</b>	<b>102.0</b>	<b>WEB201000</b>	<b>104.37 x 3.53</b>
105.0	117.2	8.1	107.0	WEB201050	110.72 x 3.53
<b>*110.0</b>	<b>122.2</b>	<b>8.1</b>	<b>112.0</b>	<b>WEB201100</b>	<b>113.89 x 3.53</b>
<b>*125.0</b>	<b>137.2</b>	<b>8.1</b>	<b>127.0</b>	<b>WEB201250</b>	<b>129.77 x 3.53</b>

All dimensions in **bold** type are in accordance with recommendations of ISO 3320

\* installation in grooves according to ISO 6195 Type D

---

! This page is intentionally left blank.

# Turcon® Excluder® F



---

Double-acting

---

Rubber-energized Double-acting Scraper

**Material:**

Turcon®, Zurcon® and Elastomer

---



---

! This page is intentionally left blank.



## ■ Turcon® Excluder® F



### ■ Description

Turcon® Excluder® F is a double-acting scraper with scraper lip and sealing lip, positioned back-to-back. The scraper is always installed with 2 O-Rings as elastic energizing elements in one groove. The scraper function itself is performed by the Excluder® F Turcon® element. The O-Rings maintains the pressure of the scraper lips against the sliding surface and compensates deflections of the piston rod.

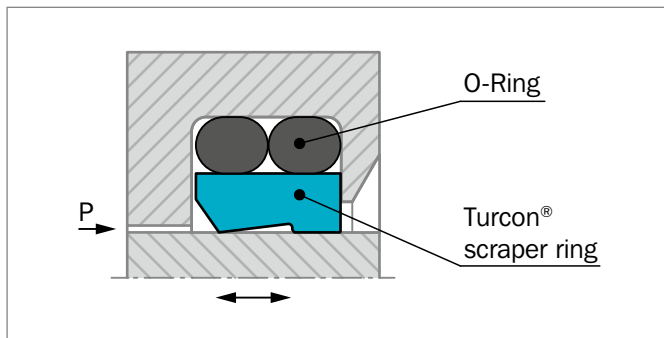


Figure 173: Turcon® Excluder® F

### EXCLUDER® F HAS TWO FUNCTIONS:

- Scrape contaminants from the retracting piston rod to protect the system from soiling
- Hold back the residual oil film on the extending piston rod on the medium side.
- Excluder® F is preferably used in conjunction with our rod seals Turcon® Stepseal® 2K or Zurcon® Rimseal, i.e. seals with a hydrodynamic back-pumping function. Application wise the Excluder® F is placed between Excluder® 2 and Excluder® 5 for medium to "light-heavy" duty such as in:
  - Light construction machinery
  - Truck crane
  - Agriculture machines
  - Hydraulic presses
  - Injection molding machines
  - Hydraulic actuators

### ADVANTAGES

In principle the same as for Excluder® 2 and 5:

- Outstanding sliding properties
- Stick-slip-free, no sticking for Turcon® materials
- Tough scraper particular in Zurcon® materials
- Can compensate for deflections of the piston rod or plunger
- Very good scraping effect even against firmly adhered dirt, etc.
- Very good sealing effect from the inside against the residual oil film adhering to the surface of the piston rod
- Identical installation as Zurcon® Excluder® 500 and Excluder® 5 from WE50 to WE52
- Very high resistance to hydraulic media
- Available for diameters from 19 up to 1,500 mm
- ISO 6195 Type D installation on recommended diameters from 40 to 140 mm

### DISADVANTAGES COMPARED TO EXCLUDER® 2 AND 5

- Require 2 pcs O-Rings
- Not completely axially locked in the groove
- More disposed to wrong installation

### ADVANTAGES COMPARED TO EXCLUDER® 2 AND 5

- Easy installation in closed groove
- Improved radial flexibility
- Improved sealing function due to O-Ring arrangement



## OPERATING CONDITIONS

<b>Speed:</b>	15 m/s for Turcon® materials 2 m/s for Zurcon® Z80 materials 1 m/s for Zurcon® Z53/Z54 materials
<b>Temperature:</b>	-45 °C to +200 °C (Turcon® ) -60 °C to +80 °C (Zurcon® Z80) -45 °C to +110 °C (Zurcon® Z53/Z54) depending on O-Ring materials
<b>Media:</b>	Mineral oil-based hydraulic fluids, flame retardant hydraulic fluids, environmentally friendly hydraulic fluids (bio-oils), phosphate ester, water, air and others, depending on scraper and O-ring material compatibility.

### IMPORTANT NOTE

The above data are maximum values and cannot be used at the same time, e.g. the maximum operating speed depends on material type, environment, temperature and media.

## INSTALLATION INSTRUCTIONS

All Excluder® F scrapers are preferably installed in closed grooves - installation dimensions see Table 159.

## MATERIALS

The following material combinations have proven effective for most applications:

### Turcon® Excluder® F in Turcon® M12

All round material for hydraulic applications with linear, short stroke or helical movements in mineral oils, flame retardant hydraulic fluids, phosphate ester, bio-oils or fluids having low lubricating properties:

O-Ring:	NBR 70 Shore A	N
	FKM 70 Shore A	V

Set code: M12N or M12V

### Turcon® Excluder® F in Turcon® T46

For medium to heavy applications with linear movements in mineral oils and other media with good lubrication:

O-Ring:	NBR 70 Shore A	N
	FKM 70 Shore A	V

Set code: T46N or T46V

For specific applications, all Turcon® materials are available.

Other material combinations are listed in Table 158.

**Table 158: Turcon® and Zurcon® Materials for Excluder® F**

Material, Applications, Properties	Code	O-Ring Material Shore A	Code	O-Ring Operating Temp. * °C	Mating Surface Material	Speed max. m/s
<b>Turcon® M12</b> First material choice for linear motion Overall improved properties For new constructions and updating For all commonly applied hydraulic fluids including fluids with low lubrication performance Lowest friction and best sliding properties Lowest wear on scrapers Improved absorption of abrasive contaminants Low wear or abrasion of counter surface BAM tested Mineral fiber and Additives filled Color: Dark gray	M12	NBR 70	N	-30 to +100	Steel	15
		NBR 70 Low temp.	T	-45 to +80	Steel, hardened Steel, chrome plated (rod)	
		FKM 70	V	-10 to +200	Steel plated (rod) Cast iron Stainless steel Titanium	
<b>Turcon® T40</b> For lubricating and non-lubricating fluids High frequency and short strokes Water hydraulics Surface texture is not suitable for gas Carbon fiber filled Color: Gray	T40	NBR 70	N	-30 to +100	Steel	15
		NBR 70 Low temp.	T	-45 to +80	Steel, chrome plated (rod) Cast iron	
		FKM 70	V	-10 to +200	Stainless steel	
		EPDM 70	E**	-45 to +145	Aluminum	
<b>Turcon® T46</b> For lubricated hydraulics in linear motion High compressive strength High extrusion resistance Very good sliding and wear properties BAM tested Bronze filled Color: Light to dark brown, which may have variations in shading.	T46	NBR 70	N	-30 to +100	Steel, hardened	15
		NBR 70 Low temp.	T	-45 to +80	Steel, chrome plated (rod) Cast iron	
		FKM 70	V	-10 to +200		
<b>Zurcon® Z53</b> For mineral oil based fluids Very high abrasion and extrusion resistance For counter surface with rougher surface finish More difficult to install Limited chemical resistance Max. working temperature +110 °C Cast polyurethane Color: Yellow to light-brown	Z53	NBR 70	N	-30 to +100	Steel	1
		NBR 70 Low temp.	T	-45 to +80	Steel, hardened Steel chrome plated (rod) Cast iron Ceramic coating Stainless steel	

Table continues on next page





Material, Applications, Properties	Code	O-Ring Material Shore A	Code	O-Ring Operating Temp.* °C	Mating Surface Material	Speed max. m/s
<b>Zurcon® Z54</b> For mineral oil based fluids High abrasion resistance For counter surface with rougher surface finishes Good extrusion resistance Limited chemical resistance Max. working temperature +110 °C Cast polyurethane Color: Turquoise	<b>Z54</b>	NBR 70	N	-30 to +100	Steel	1
		NBR 70 Low temp.	T	-45 to +80	Steel, hardened Steel, chrome plated (rod) Cast iron Stainless steel Aluminum Ceramic coating	
<b>Zurcon® Z80</b> For lubricating and non-lubricating fluids Water based fluids, air and gases Dry air pneumatics High abrasion and extrusion resistance For service in abrasive conditions and media with particles Good chemical resistance Limited temperature capability (-60 to +80 °C) UHMWPE (Ultra High Molecular Weight Polyethylene)	<b>Z80</b>	NBR 70	N	-30 to +100	Steel	2
		NBR 70 Low temp.	T	-45 to +80	Steel, chrome plated (rod) Stainless steel	
		EPDM 70	E**	-45 to +145	Aluminum Ceramic coating	

\* The O-Ring Operation Temperature is only valid in mineral hydraulic oil, except EPDM.

\*\* Material not suitable for mineral oils.

BAM: Tested by "Bundesanstalt Materialprüfung, Germany".

  Highlighted materials are recommended.



## Installation Recommendation

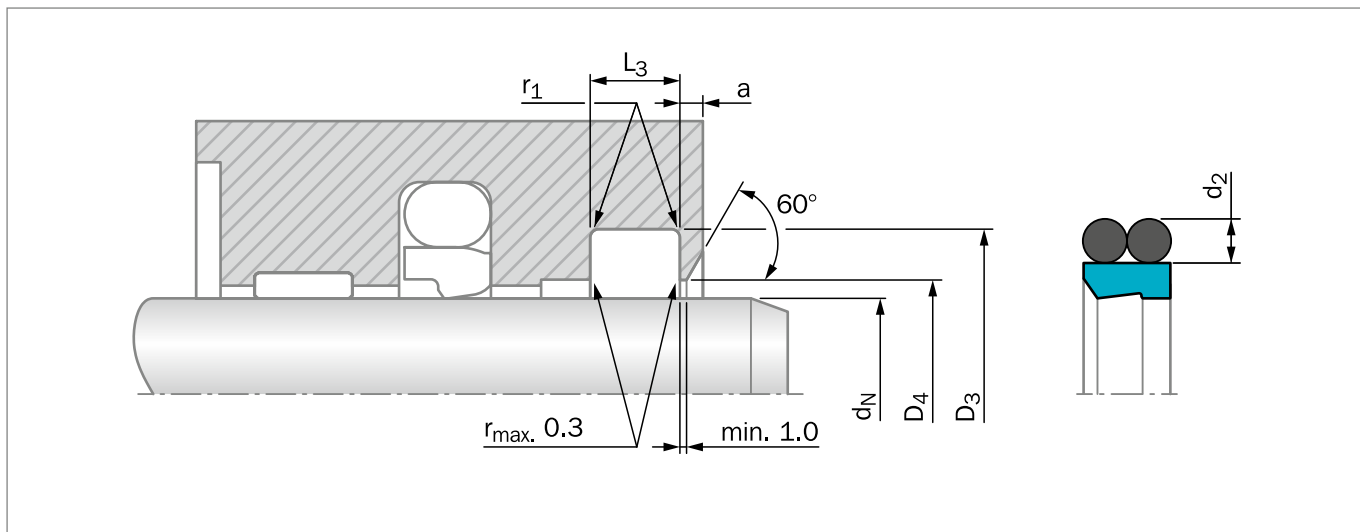


Figure 174: Installation Drawing

**Table 159: Installation Dimensions – Standard Recommendations**

Series No.	Rod $d_N$ f8/h9		Groove Diameter $D_3$ H9	Groove Width $L_3$ +0.2	Bore Diameter $D_4$ H11	Step Width $a_{min}$	Radius $r_1$ max	O-Ring Cross Section $d_2$
	Standard Application	Available Range						
WEF0	19 - 39.9	19 - 130	$d_N + 7.6$	4.2	$d + 1.0$	3.0	0.4	1.78
WEF1	40 - 69.9	30 - 250	$d_N + 8.8$	6.3	$d + 1.5$	3.0	1.0	2.62
WEF2	70 - 139.9	50 - 450	$d_N + 12.2$	8.1	$d + 2.0$	5.0	1.2	3.53
WEF3	140 - 399.9	80 - 650	$d_N + 16.0$	11.5	$d + 2.0$	5.0	2.0	5.33
WEF4	400 - 649.9	180 - 650	$d_N + 24.0$	15.5	$d + 2.5$	8.0	2.5	7.00
WEF5	650 - 999.9	300 - 999.9	$d_N + 27.3$	18.0	$d + 2.5$	10.0	2.5	8.40
WEF5X	1,000 - 1,500		$d_N + 27.3$	18.0	$d + 2.5$	10.0	2.5	8.40

### ORDERING EXAMPLE

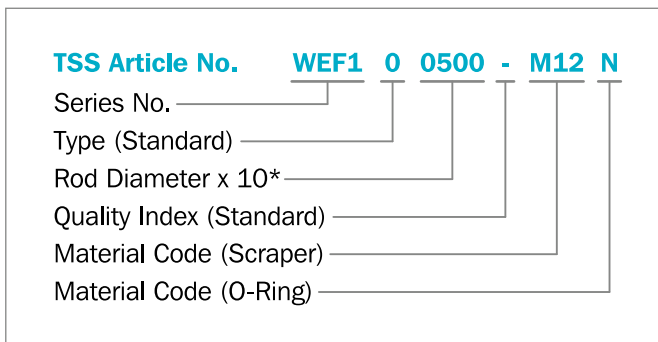
Turcon® Excluder® F complete with O-Ring, standard application:

**Series:** WEF1 from Table 159

**Rod Diameter:**  $d_N = 50.0$  mm

**TSS Part No.:** WEF100500 from Table 160

Select the material from Table 158. The corresponding code numbers are appended to the TSS Part No. Together these form the TSS Article Number. The TSS Article Number for all intermediate sizes can be determined by following the example:



\* For diameters  $d_N \geq 1,000.0$  mm multiply only by factor 1.  
 Example: WEF5 for diameter  $d_N = 1,200.0$  mm  
 TSS Article No.: WEF5X1200-M12N



Table 160: Installation Dimensions / TSS Part Numbers

Rod Dia.	Groove Dia.	Groove Width	TSS Part No.	O-Ring Size	Rod Dia.	Groove Dia.	Groove Width	TSS Part No.	O-Ring Size
d <sub>N</sub> f8/h9	D <sub>3</sub> H9	L <sub>3</sub> +0.2			d <sub>N</sub> f8/h9	D <sub>3</sub> H9	L <sub>3</sub> +0.2		
19.0	26.6	4.2	WEF000190	23.52 x 1.78	125.4	137.6	8.1	WEF201254	129.77 x 3.53
<b>20.0</b>	<b>27.6</b>	<b>4.2</b>	<b>WEF000200</b>	<b>23.52 x 1.78</b>	130.0	142.2	8.1	WEF201300	136.12 x 3.53
<b>22.0</b>	<b>29.6</b>	<b>4.2</b>	<b>WEF000220</b>	<b>26.70 x 1.78</b>	135.0	147.2	8.1	WEF201350	139.29 x 3.53
<b>25.0</b>	<b>32.6</b>	<b>4.2</b>	<b>WEF000250</b>	<b>28.30 x 1.78</b>	<b>140.0*</b>	<b>152.2</b>	<b>8.1</b>	<b>WEF201400</b>	<b>145.64 x 3.53</b>
<b>28.0</b>	<b>35.6</b>	<b>4.2</b>	<b>WEF000280</b>	<b>31.47 x 1.78</b>	<b>140.0*</b>	<b>156.0</b>	<b>11.5</b>	<b>WEF301400</b>	<b>145.42 x 5.33</b>
30.0	37.6	4.2	WEF000300	34.65 x 1.78	140.5	156.5	11.5	WEF301405	145.42 x 5.33
<b>32.0</b>	<b>39.6</b>	<b>4.2</b>	<b>WEF000320</b>	<b>34.65 x 1.78</b>	150.0	166.0	11.5	WEF301500	151.77 x 5.33
35.0	42.6	4.2	WEF000350	37.82 x 1.78	153.0	169.0	11.5	WEF301530	158.12 x 5.33
<b>36.0</b>	<b>43.6</b>	<b>4.2</b>	<b>WEF000360</b>	<b>41.00 x 1.78</b>	155.0	171.0	11.5	WEF301550	158.12 x 5.33
<b>40.0*</b>	<b>48.8</b>	<b>6.3</b>	<b>WEF100400</b>	<b>44.12 x 2.62</b>	<b>160.0*</b>	<b>172.2</b>	<b>8.1</b>	<b>WEF201600</b>	<b>164.69 x 3.53</b>
42.0	50.8	6.3	WEF100420	45.69 x 2.62	<b>160.0*</b>	<b>176.0</b>	<b>11.5</b>	<b>WEF301600</b>	<b>164.47 x 5.33</b>
<b>45.0*</b>	<b>53.8</b>	<b>6.3</b>	<b>WEF100450</b>	<b>48.90 x 2.62</b>	165.0	181.0	11.5	WEF301650	170.82 x 5.33
48.0	56.8	6.3	WEF100480	52.07 x 2.62	170.0	186.0	11.5	WEF301700	177.17 x 5.33
<b>50.0*</b>	<b>58.8</b>	<b>6.3</b>	<b>WEF100500</b>	<b>53.64 x 2.62</b>	175.0	191.0	11.5	WEF301750	177.17 x 5.33
52.0	60.8	6.3	WEF100520	55.25 x 2.62	<b>180.0*</b>	<b>192.2</b>	<b>8.1</b>	<b>WEF201800</b>	<b>183.74 x 3.53</b>
55.0	63.8	6.3	WEF100550	58.42 x 2.62	<b>180.0*</b>	<b>196.0</b>	<b>11.5</b>	<b>WEF301800</b>	<b>183.52 x 5.33</b>
<b>56.0*</b>	<b>64.8</b>	<b>6.3</b>	<b>WEF100560</b>	<b>59.99 x 2.62</b>	188.2	204.2	11.5	WEF301882	189.87 x 5.33
60.0	67.6	4.2	WEF000600	63.22 x 1.78	190.0	206.0	11.5	WEF301900	196.22 x 5.33
60.0	68.8	6.3	WEF100600	63.17 x 2.62	<b>200.0*</b>	<b>212.2</b>	<b>8.1</b>	<b>WEF202000</b>	<b>202.79 x 3.53</b>
<b>63.0*</b>	<b>71.8</b>	<b>6.3</b>	<b>WEF100630</b>	<b>66.34 x 2.62</b>	<b>200.0*</b>	<b>216.0</b>	<b>11.5</b>	<b>WEF302000</b>	<b>202.57 x 5.33</b>
65.0	73.8	6.3	WEF100650	67.95 x 2.62	<b>220.0*</b>	<b>232.2</b>	<b>8.1</b>	<b>WEF202200</b>	<b>221.84 x 3.53</b>
<b>70.0*</b>	<b>78.8</b>	<b>6.3</b>	<b>WEF100700</b>	<b>72.69 x 2.62</b>	<b>220.0*</b>	<b>236.0</b>	<b>11.5</b>	<b>WEF302200</b>	<b>221.62 x 5.33</b>
<b>70.0*</b>	<b>82.2</b>	<b>8.1</b>	<b>WEF200700</b>	<b>75.79 x 3.53</b>	240.0	256.0	11.5	WEF302400	247.02 x 5.33
75.0	87.2	8.1	WEF200750	78.97 x 3.53	<b>250.0*</b>	<b>262.2</b>	<b>8.1</b>	<b>WEF202500</b>	<b>253.59 x 3.53</b>
<b>80.0*</b>	<b>88.8</b>	<b>6.3</b>	<b>WEF100800</b>	<b>82.22 x 2.62</b>	<b>250.0*</b>	<b>266.0</b>	<b>11.5</b>	<b>WEF302500</b>	<b>253.37 x 5.33</b>
<b>80.0*</b>	<b>92.2</b>	<b>8.1</b>	<b>WEF200800</b>	<b>85.32 x 3.53</b>	260.0	276.0	11.5	WEF302600	266.07 x 5.33
85.0	97.2	8.1	WEF200850	88.49 x 3.53	270.0	286.0	11.5	WEF302700	278.77 x 5.33
<b>90.0*</b>	<b>98.8</b>	<b>6.3</b>	<b>WEF100900</b>	<b>94.92 x 2.62</b>	<b>280.0*</b>	<b>292.2</b>	<b>8.1</b>	<b>WEF202800</b>	<b>278.99 x 3.53</b>
<b>90.0*</b>	<b>102.2</b>	<b>8.1</b>	<b>WEF200900</b>	<b>94.84 x 3.53</b>	<b>280.0*</b>	<b>296.0</b>	<b>11.5</b>	<b>WEF302800</b>	<b>278.77 x 5.33</b>
92.5	104.7	8.1	WEF200925	98.02 x 3.53	300.0	316.0	11.5	WEF303000	304.17 x 5.33
95.0	107.2	8.1	WEF200950	101.19 x 3.53	<b>320.0*</b>	<b>332.2</b>	<b>8.1</b>	<b>WEF203200</b>	<b>329.79 x 3.53</b>
<b>100.0*</b>	<b>108.8</b>	<b>6.3</b>	<b>WEF101000</b>	<b>101.27 x 2.62</b>	<b>320.0*</b>	<b>336.0</b>	<b>11.5</b>	<b>WEF303200</b>	<b>329.57 x 5.33</b>
<b>100.0*</b>	<b>112.2</b>	<b>8.1</b>	<b>WEF201000</b>	<b>104.37 x 3.53</b>	330.0	346.0	11.5	WEF303300	329.57 x 5.33
105.0	117.2	8.1	WEF201050	110.72 x 3.53	350.0	366.0	11.5	WEF303500	354.97 x 5.33
<b>110.0*</b>	<b>118.8</b>	<b>6.3</b>	<b>WEF101100</b>	<b>113.97 x 2.62</b>	<b>360.0*</b>	<b>372.2</b>	<b>8.1</b>	<b>WEF203600</b>	<b>355.19 x 3.53</b>
<b>110.0*</b>	<b>122.2</b>	<b>8.1</b>	<b>WEF201100</b>	<b>113.89 x 3.53</b>	<b>360.0*</b>	<b>376.0</b>	<b>11.5</b>	<b>WEF303600</b>	<b>365.00 x 5.30</b>
115.0	127.2	8.1	WEF201150	120.24 x 3.53	380.0	396.0	11.5	WEF303800	380.37 x 5.33
120.0	132.2	8.1	WEF201200	123.42 x 3.53	400.0	424.0	15.5	WEF404000	405.26 x 7.00
<b>125.0*</b>	<b>133.8</b>	<b>6.3</b>	<b>WEF101250</b>	<b>126.67 x 2.62</b>	440.0	464.0	15.5	WEF404400	443.36 x 7.00
<b>125.0*</b>	<b>137.2</b>	<b>8.1</b>	<b>WEF201250</b>	<b>129.77 x 3.53</b>	450.0	474.0	15.5	WEF404500	456.06 x 7.00



<b>Rod Dia.</b>	<b>Groove Dia.</b>	<b>Groove Width</b>	<b>TSS Part No.</b>	<b>O-Ring Size</b>
<b>d<sub>N</sub></b> f8/h9	<b>D<sub>3</sub></b> H9	<b>L<sub>3</sub></b> +0.2		
480.0	504.0	15.5	<a href="#">WEF404800</a>	481.38 x 7.00
500.0	524.0	15.5	<a href="#">WEF405000</a>	506.86 x 7.00
550.0	574.0	15.5	<a href="#">WEF405500</a>	557.66 x 7.00
600.0	624.0	15.5	<a href="#">WEF406000</a>	608.08 x 7.00
650.0	677.3	18.0	<a href="#">WEF506500</a>	662 x 8.40
700.0	727.3	18.0	<a href="#">WEF507000</a>	712 x 8.40
750.0	777.3	18.0	<a href="#">WEF507500</a>	762 x 8.40
800.0	827.3	18.0	<a href="#">WEF508000</a>	812 x 8.40
900.0	927.3	18.0	<a href="#">WEF509000</a>	912 x 8.40
<b>1,000.0</b>	<b>1,027.3</b>	18.0	<a href="#">WEF5X1000</a>	1,012 x 8.40
<b>1,100.0</b>	<b>1,127.3</b>	18.0	<a href="#">WEF5X1100</a>	1,112 x 8.40
<b>1,200.0</b>	<b>1,227.3</b>	18.0	<a href="#">WEF5X1200</a>	1,212 x 8.40

The rod diameters in **bold** type comply with the recommendations of ISO 3320.

\* Installation in grooves according to ISO 6195 Type D

Other dimensions and all intermediate sizes up to 1,500 mm diameter including imperial (inch) sizes can be supplied upon request.

---

! This page is intentionally left blank.

# Turcon® Excluder® S



---

Double-acting

---

Rubber-energized Double-acting Scraper

**Material:**

Turcon®, Zurcon®, Elastomer and Metal

---



---

! This page is intentionally left blank.



## ■ Turcon® Excluder® S



### ■ Description

Turcon® Excluder® S is a double-acting scraper with scraper lip and sealing lip, positioned back-to-back. Excluder® S element is as standard always installed with a metal V-Spring and an O-Ring.

The V-Spring in the external part maintains a permanent pressure on the scraping edge. The internal O-Ring activates the sealing lip.

The V-Spring is filled with high temperature silicone to prevent contamination blocking the spring.

The conical front guides contamination away from the reciprocating rod. This is especially important when the piston rod is pointing upwards.

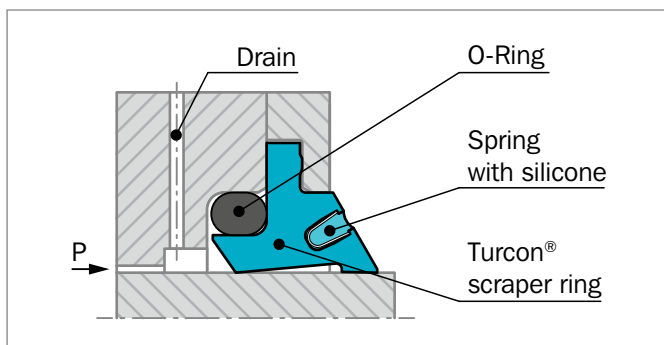


Figure 175: Turcon® Excluder® S with V-Spring activated lip

### EXCLUDER® S HAS TWO FUNCTIONS:

- Scrape contaminants from the retracting piston rod protecting the system from soiling
- Hold back the residual fluid film on the extending piston rod at the fluid side.

### APPLICATIONS

Excluder® S is preferably used in very dirty environments where it is mandatory to prevent moisture and contaminants from being trapped in front of the scraper element e.g. when the rod is pointing upwards, typically for bigger rod diameters in applications like:

- Mining equipment
- Hydraulic presses
- Steelworks
- Heavy construction machinery
- Marine constructions
- Offshore installations
- Water works

### ADVANTAGES

- No dirt trapping because of spring activated conical scraping lip
- Outstanding sliding properties
- Stick-slip-free, no sticking (for Turcon® materials)
- Good scraping effect even against firmly adhered dirt, etc.
- Good sealing effect from the inside against the residual fluid film adhering to the surface of the piston rod
- Clamped installation prevents particles and moisture to pass between Excluder® and cylinder head
- Very high resistance to hydraulic media
- Available for diameters from 40 up to 2,600 mm (Turcon®), up to 2,200 mm (Zurcon® Z53/Z54), up to 1,000 mm (Zurcon® Z82)





## OPERATING CONDITIONS

<b>Movement:</b>	Linear respectively low speed rotary service
<b>Back-Pressure:</b>	Up to 1.5 MPa drain line between rod seals and Excluder® is recommended
<b>Speed linear:</b>	15 m/s for Turcon® materials 2 m/s for Zurcon® Z80/Z82 materials 1 m/s for Zurcon® Z53/Z54 materials
<b>Temperature:</b>	-45 °C to +200 °C (Turcon®) -45 °C to +110 °C (Zurcon® Z53 / Z54) -60 °C to +80 °C (Zurcon® Z80/Z82) depending on O-Ring material
<b>Media:</b>	Mineral oil-based hydraulic fluids, flame retardant hydraulic fluids, environmentally friendly hydraulic fluids (bio-oils), phosphate ester, water, air and others, depending on scraper ring and O-Ring material compatibility.

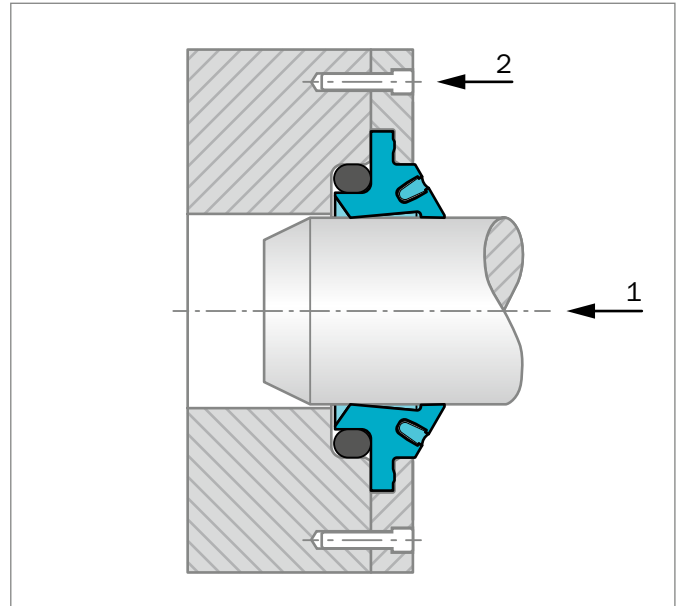


Figure 176: Installation and calibration of the Turcon® Excluder® S by the rod or a calibration mandrel

## IMPORTANT NOTE

The above data are maximum values and cannot be used at the same time, e.g. the maximum operating speed depends on material type, pressure, temperature and gap value. Temperature range also depends on media.

## INSTALLATION INSTRUCTIONS

Excluder® S is always installed in split housing grooves.

Housing dimensions, radial clearances and recommended Excluder® S series in relation to diameter are as illustrated in Table 162.

Installation should be performed in the following steps in order to ensure a concentric and stress-free fit:

- Insert the O-Ring in the groove
- Place the Excluder® Ring into the open groove
- Fit the cover loosely onto the housing
- Insert the rod - check whether rod has the recommended lead-in chamfer; if not, use a calibration mandrel - see Figure 176 **point 1**
- Tighten the cover - see Figure 176 **point 2**

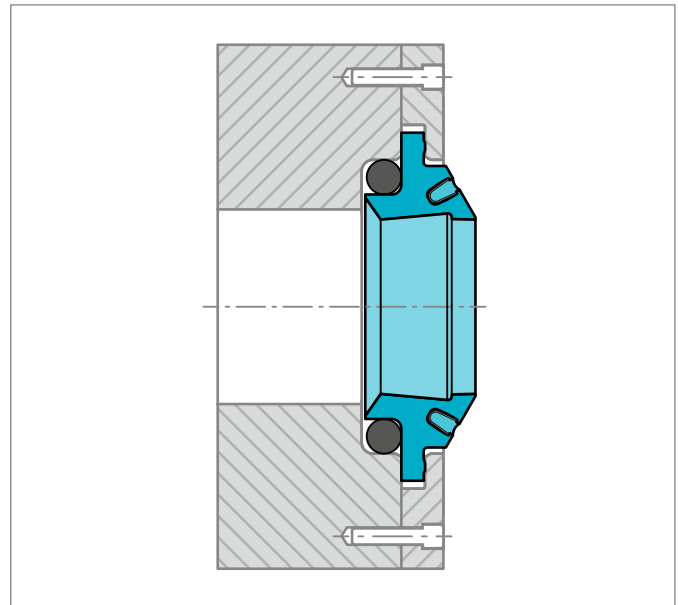


Figure 177: Turcon® Excluder® S installed in split groove



## RECOMMENDED MATERIALS

The following material combination has proven effective for most applications:

### Excluder® S in Turcon® M12

All round material for hydraulic applications with reciprocating, short stroke or helical movements in mineral oils, phosphate ester, bio-oils or fluids having less satisfactory lubricating properties:

O-Ring:                   NBR 70 Shore A       N  
                               FKM 70 Shore A       V  
                               EPDM 70 Shore A     E  
                               (dependent on medium and temperature)

Set code:                M12N, M12V or M12E

### Excluder® S in Turcon® T46

For medium to heavy duty applications with reciprocating movements in mineral oils and other media with good lubrication:

O-Ring:                   NBR 70 Shore A       N  
                               FKM 70 Shore A       V  
                               (dependent on medium and temperature)

Set code:                T46N or T46V

### Excluder® S in Zurcon® Z80/Z82

For lubricating and non-lubricating fluids including water, air and gases:

O-Ring:                   NBR 70 Shore A       N  
                               EPDM 70 Shore A     E  
                               (dependent on medium and temperature)

Set code:                Z80N or Z80E

Other available material combinations are listed in Table 161.

For specific applications, all Turcon® materials are available.



**Table 161: Turcon® and Zurcon® Materials for Excluder® S**

Material, Applications, Properties	Code	O-Ring Material Shore A	Code	O-Ring Operating Temp. * °C	Mating Surface Material	Speed max. m/s
<b>Turcon® M12</b> First material choice for linear motion Overall improved properties For new constructions and updating For all commonly applied hydraulic fluids including fluids with low lubrication performance Lowest friction and best sliding properties Lowest wear on Excluder® Improved absorption of abrasive contaminants Low wear or abrasion of counter surface BAM tested Mineral fiber and Additives filled Color: Dark gray	M12	NBR 70	N	-30 to +100	Steel	15
		NBR 70 Low temp.	T	-45 to +80	Steel, hardened Steel, chrome-plated (rod) Cast iron	
		FKM 70	V	-10 to +200	Stainless steel Titanium	
<b>Turcon® T40</b> For lubricating and non-lubricating fluids Linear and rotary motion High frequency and short strokes Water hydraulics Surface texture not suitable for gas sealing Carbon fiber filled Color: Gray	T40	NBR 70	N	-30 to +100	Steel	15
		NBR 70 Low temp.	T	-45 to +80	Steel, chrome-plated (rod) Cast iron	
		FKM 70	V	-10 to +200	Stainless steel	
		EPDM 70	E**	-45 to +145	Aluminum Bronze Alloys	
<b>Turcon® T46</b> For lubricated hydraulics in linear motion High compressive strength High extrusion resistance Very good sliding and wear properties BAM tested Bronze filled Color: Light to dark brown, which may have variations in shading.	T46	NBR 70	N	-30 to +100	Steel (tubes)	15
		NBR 70 Low temp.	T	-45 to +80	Steel, hardened Steel, chrome-plated (rod)	
		FKM 70	V	-10 to +200	Cast iron	
<b>Zurcon® Z53***</b> For mineral oil based fluids Linear and slowly turning movement Very high abrasion and extrusion resistance For counter surface with rougher surface finish More difficult to install Limited chemical resistance Max. working temperature +110 °C Cast polyurethane Color: Yellow to light-brown	Z53	NBR 70	N	-30 to +100	Steel	1
		NBR 70 Low temp.	T	-45 to +80	Steel, hardened Steel chrome plated (rod) Cast iron Ceramic coating Stainless steel	

Table continues on next page



Material, Applications, Properties	Code	O-Ring Material Shore A	Code	O-Ring Operating Temp.* °C	Mating Surface Material	Speed max. m/s
<b>Zurcon® Z54***</b> For mineral oil based fluids Linear and slowly turning movements High abrasion resistance For counter surface with rougher surface finishes Good extrusion resistance Limited chemical resistance Max. working temperature +110 °C Cast polyurethane Color: Turquoise	Z54	NBR 70	N	-30 to +100	Steel	1
		NBR 70 Low temp.	T	-45 to +80	Steel, hardened Steel, chrome-plated (rod) Cast iron Stainless steel Aluminum Bronze Alloys Ceramic coating	
<b>Zurcon® Z80</b> For lubricating and non-lubricating fluids Water based fluids, air and gases Dry air pneumatics Linear and slowly turning movements High abrasion and extrusion resistance For service in abrasive conditions and media with particles Good chemical resistance Limited temperature capability (-60 to +80 °C) Not resistant to UV-light (sunlight), use Z82 instead UHMWPE (Ultra High Molecular Weight Polyethylene) Color: White to off white	Z80	NBR 70	N	-30 to (+100)	Steel	2
		NBR 70 Low temp.	T	-45 to +80	Steel, chrome-plated (rod) Stainless steel	
		EPDM 70	E**	-45 to (+145)	Aluminum Bronze Ceramic coating	
<b>Zurcon® Z82</b> Same as Z80 but resistant to UV-light (sunlight) UHMWPE (Ultra High Molecular Weight Polyethylene) Color: Black	Z82	NBR 70	N	-30 to (+100)	Steel	2
		NBR 70 Low temp.	T	-45 to +80	Steel, chrome-plated (rod) Stainless steel	
		EPDM 70	E**	-45 to (+145)	Aluminum Bronze Ceramic coating	

\* The O-Ring Operation Temperature is only valid in mineral hydraulic oil, except EPDM.

\*\* Material not suitable for mineral oils.

\*\*\* Max. diameter 2,200 mm

BAM: Tested by "Bundesanstalt Materialprüfung, Germany".

Highlighted materials are recommended.



## Installation Recommendation

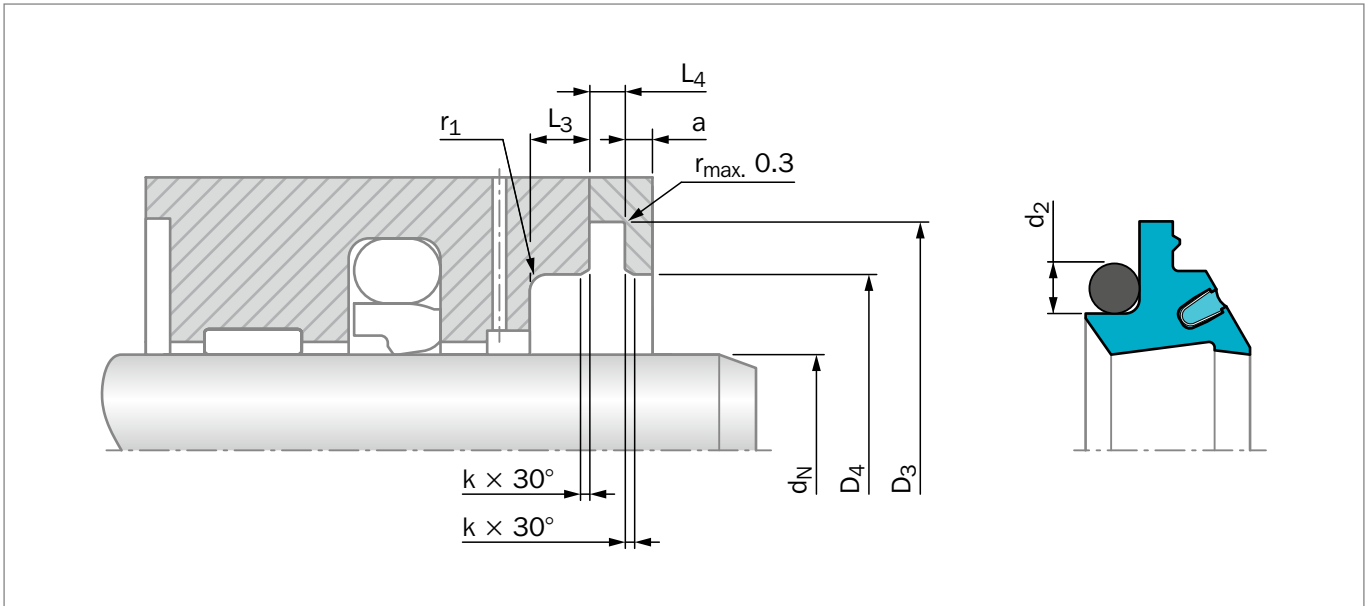


Figure 178: Installation Drawing

Table 162: Installation Dimensions

Series No.	Rod Diameter $d_N$ f8/h9		Groove Diameter	Groove Width	Groove Width	Groove Diameter	Radius	Step Width	Inlet Chamfer	O-Ring Cross Section
	Standard Application	Available Range	$D_3$ H10	$L_4$ ±0.08	$L_3$ +0.2/-0.0	$D_4$ H9	$r_1$ max	$a$ +0.0/-0.1	$k$	$d_2$
WES0	16 – 49.9	16 – 90	$d_N + 12.0$	1.80	2.20	$d_N + 7.3$	0.5	1.2	0.5	1.78
WES2	50 – 349.9	40 - 800	$d_N + 18.7$	2.50	4.20	$d_N + 11.3$	1.2	2.0	0.7	3.53
WES3	350 - 799.9	100 - 999.9	$d_N + 28.0$	4.00	6.30	$d_N + 17.0$	1.8	3.0	1.0	5.33
WES4	800 - 999.9	250 - 999.9	$d_N + 33.0$	4.50	8.25	$d_N + 21.0$	2.2	4.5	1.2	7.00
WES4X	1,000 – 2,600		$d_N + 33.0$	4.50	8.25	$d_N + 21.0$	2.2	4.5	1.2	7.00

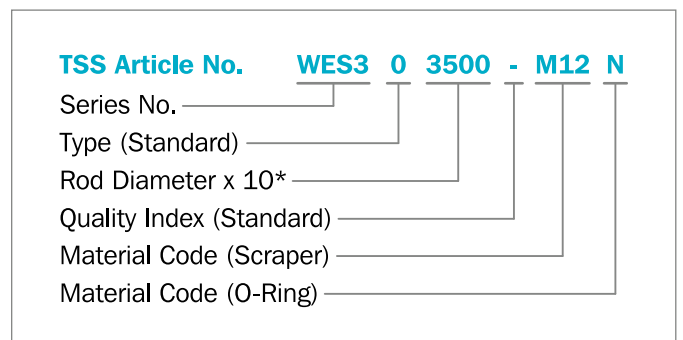
WES1 Series are not available

### ORDERING EXAMPLE

Excluder® S with V-Spring complete with O-Ring, standard application:

<b>Series:</b>	WES3 from Table 162
<b>Rod Diameter:</b>	$d_N = 350.0$ mm
<b>TSS Part No.:</b>	WES303500 from Table 163

Select the material from Table 161. The corresponding code numbers are appended to the TSS Part No. Together these form the TSS Article Number. The TSS Article No. for all intermediate sizes can be determined by following the example:



\* For diameters  $d_N \geq 1,000.0$  mm multiply only by factor 1.  
 Example: WES4 for diameter  $d_N = 1,200.0$  mm  
 TSS Article No.: WES4X1200-M12N



Table 163: Installation Dimensions / TSS Part No.

Rod Dia.	Groove Dia.	Groove Width	TSS Part No.	O-Ring Size	Rod Dia.	Groove Dia.	Groove Width	TSS Part No.	O-Ring Size
$d_N$ f8/h9	$D_3$ H10	$L_3$ +0.2			$d_N$ f8/h9	$D_3$ H10	$L_3$ +0.2		
<b>16.0</b>	<b>28.0</b>	<b>2.20</b>	<a href="#">WES000160</a>	<b>19.00 x 1.80</b>	440.0	468.0	6.30	<a href="#">WES304400</a>	430.66 x 5.33
<b>18.0</b>	<b>30.0</b>	<b>2.20</b>	<a href="#">WES000180</a>	<b>21.95 x 1.78</b>	450.0	478.0	6.30	<a href="#">WES304500</a>	456.06 x 5.33
<b>20.0</b>	<b>32.0</b>	<b>2.20</b>	<a href="#">WES000200</a>	<b>23.52 x 1.78</b>	480.0	508.0	6.30	<a href="#">WES304800</a>	481.38 x 5.33
<b>22.0</b>	<b>34.0</b>	<b>2.20</b>	<a href="#">WES000220</a>	<b>25.12 x 1.78</b>	500.0	528.0	6.30	<a href="#">WES305000</a>	506.78 x 5.33
<b>25.0</b>	<b>37.0</b>	<b>2.20</b>	<a href="#">WES000250</a>	<b>28.30 x 1.78</b>	550.0	578.0	6.30	<a href="#">WES305500</a>	532.18 x 5.33
<b>28.0</b>	<b>40.0</b>	<b>2.20</b>	<a href="#">WES000280</a>	<b>31.47 x 1.78</b>	600.0	628.0	6.30	<a href="#">WES306000</a>	582.68 x 5.33
30.0	42.0	2.20	<a href="#">WES000300</a>	33.05 x 1.78	650.0	678.0	6.30	<a href="#">WES306500</a>	633.48 x 5.33
<b>32.0</b>	<b>44.0</b>	<b>2.20</b>	<a href="#">WES000320</a>	<b>34.65 x 1.78</b>	680.0	708.0	6.30	<a href="#">WES306800</a>	658.88 x 5.33
<b>36.0</b>	<b>48.0</b>	<b>2.20</b>	<a href="#">WES000360</a>	<b>37.82 x 1.78</b>	700.0	728.0	6.30	<a href="#">WES307000</a>	658.88 x 5.33
<b>40.0</b>	<b>52.0</b>	<b>2.20</b>	<a href="#">WES000400</a>	<b>44.17 x 1.78</b>	750.0	778.0	6.30	<a href="#">WES307500</a>	658.88 x 5.33
<b>45.0</b>	<b>57.0</b>	<b>2.20</b>	<a href="#">WES000450</a>	<b>47.35 x 1.78</b>	800.0	833.0	8.25	<a href="#">WES408000</a>	809 x 7.00
<b>50.0</b>	<b>68.7</b>	<b>4.20</b>	<a href="#">WES200500</a>	<b>53.57 x 3.53</b>	850.0	883.0	8.25	<a href="#">WES408500</a>	859 x 7.00
<b>56.0</b>	<b>74.7</b>	<b>4.20</b>	<a href="#">WES200560</a>	<b>59.92 x 3.53</b>	900.0	933.0	8.25	<a href="#">WES409000</a>	909 x 7.00
<b>63.0</b>	<b>81.7</b>	<b>4.20</b>	<a href="#">WES200630</a>	<b>66.27 x 3.53</b>	950.0	983.0	8.25	<a href="#">WES409500</a>	959 x 7.00
<b>70.0</b>	<b>88.7</b>	<b>4.20</b>	<a href="#">WES200700</a>	<b>72.62 x 3.53</b>	1,000.0	1,033.0	8.25	<a href="#">WES4X1000</a>	1,009 x 7.00
<b>80.0</b>	<b>98.7</b>	<b>4.20</b>	<a href="#">WES200800</a>	<b>82.14 x 3.53</b>	1,200.0	1,233.0	8.25	<a href="#">WES4X1200</a>	1,209 x 7.00
<b>90.0</b>	<b>108.7</b>	<b>4.20</b>	<a href="#">WES200900</a>	<b>94.84 x 3.53</b>	1,500.0	1,533.0	8.25	<a href="#">WES4X1500</a>	1,509 x 7.00
<b>100.0</b>	<b>118.7</b>	<b>4.20</b>	<a href="#">WES201000</a>	<b>104.37 x 3.53</b>	1,800.0	1,833.0	8.25	<a href="#">WES4X1800</a>	1,809 x 7.00
<b>110.0</b>	<b>128.7</b>	<b>4.20</b>	<a href="#">WES201100</a>	<b>113.89 x 3.53</b>	2,000.0	2,033.0	8.25	<a href="#">WES4X2000</a>	2,009 x 7.00
120.0	138.7	4.20	<a href="#">WES201200</a>	123.42 x 3.53	2,200.0	2,233.0	8.25	<a href="#">WES4X2200</a>	2,209 x 7.00
<b>125.0</b>	<b>143.7</b>	<b>4.20</b>	<a href="#">WES201250</a>	<b>129.77 x 3.53</b>	2,600.0	2,633.0	8.25	<a href="#">WES4X2600</a>	2,609 x 7.00
130.0	148.7	4.20	<a href="#">WES201300</a>	132.94 x 3.53					
<b>140.0</b>	<b>158.7</b>	<b>4.20</b>	<a href="#">WES201400</a>	<b>142.47 x 3.53</b>					
150.0	168.7	4.20	<a href="#">WES201500</a>	151.99 x 3.53					
<b>160.0</b>	<b>178.7</b>	<b>4.20</b>	<a href="#">WES201600</a>	<b>164.69 x 3.53</b>					
170.0	188.7	4.20	<a href="#">WES201700</a>	171.04 x 3.53					
<b>180.0</b>	<b>198.7</b>	<b>4.20</b>	<a href="#">WES201800</a>	<b>183.74 x 3.53</b>					
190.0	208.7	4.20	<a href="#">WES201900</a>	190.09 x 3.53					
<b>200.0</b>	<b>218.7</b>	<b>4.20</b>	<a href="#">WES202000</a>	<b>202.79 x 3.53</b>					
210.0	228.7	4.20	<a href="#">WES202100</a>	209.14 x 3.53					
<b>220.0</b>	<b>238.7</b>	<b>4.20</b>	<a href="#">WES202200</a>	<b>221.84 x 3.53</b>					
230.0	248.7	4.20	<a href="#">WES202300</a>	234.54 x 3.53					
240.0	258.7	4.20	<a href="#">WES202400</a>	240.89 x 3.53					
<b>250.0</b>	<b>268.7</b>	<b>4.20</b>	<a href="#">WES202500</a>	<b>253.59 x 3.53</b>					
<b>280.0</b>	<b>298.7</b>	<b>4.20</b>	<a href="#">WES202800</a>	<b>278.99 x 3.53</b>					
300.0	318.7	4.20	<a href="#">WES203000</a>	304.39 x 3.53					
<b>320.0</b>	<b>338.7</b>	<b>4.20</b>	<a href="#">WES203200</a>	<b>304.39 x 3.53</b>					
350.0	378.0	6.30	<a href="#">WES303500</a>	354.97 x 5.33					
<b>360.0</b>	<b>388.0</b>	<b>6.30</b>	<a href="#">WES303600</a>	<b>365.00 x 5.30</b>					
380.0	408.0	6.30	<a href="#">WES303800</a>	380.37 x 5.33					
400.0	428.0	6.30	<a href="#">WES304000</a>	405.26 x 5.33					
420.0	448.0	6.30	<a href="#">WES304200</a>	405.26 x 5.33					

The rod diameters in **bold** type comply with the recommendations of ISO 3320



## Optional Designs

### Turcon® Excluder® SN

Optional, Turcon® Excluder® SN - Figure 179 the internal sealing lip has axial notch for applications where pressure trapping behind Excluder® S exceeds the allowed 1.5 MPa and a drain line not applicable.

The axial notch will lead the pressure to the scraping lip, which is lifted and relieving the pressure. This version is only delivered on TSS Standard Part Number with V-Spring Excluder® lip activation.

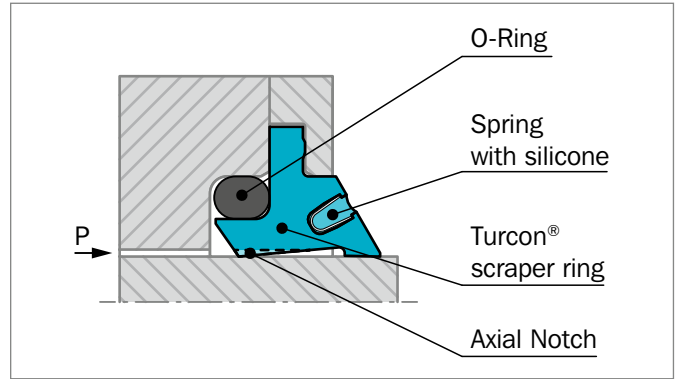


Figure 179: Optional Turcon® Excluder® SN where internal sealing lip has axial notch.

### ORDERING EXAMPLE

Optional Excluder® SN with V-Spring and Notch on internal sealing lip, complete with O-Ring, standard application:

<b>Series:</b>	WES3N from Table 162
<b>Rod Diameter:</b>	$d_N = 350.0$ mm
<b>TSS Part No.:</b>	WES3N3500 from Table 163

Select the material from Table 161. The corresponding code numbers are appended to the TSS Part No. Together these form the TSS Article Number. The TSS Article No. for all intermediate sizes can be determined by following the example:

<b>TSS Article No.</b>	<b>WES3</b>	<b>N</b>	<b>3500</b>	<b>-</b>	<b>M12</b>	<b>N</b>
Series No.						
Type (Standard)						
Rod Diameter x 10*						
Quality Index (Standard)						
Material Code (Scraper)						
Material Code (O-Ring)						

\* For diameters  $d_N \geq 1,000$  mm WES\_N is available on TSS Special Article No.



### Turcon® Excluder® SR

Optional Turcon® Excluder® SR - Figure 180 - with 2 O-Rings as elastic energizing elements.

The V-Spring is exchanged with an O-Ring for applications with less demanding service and situations where conditions or regulations eliminate applying metal V-Spring with silicone.

When Installing Excluder® SR with O-Ring scraper lip activation the O-Ring is mounted into the lip before the Excluder® Ring is placed in the groove.

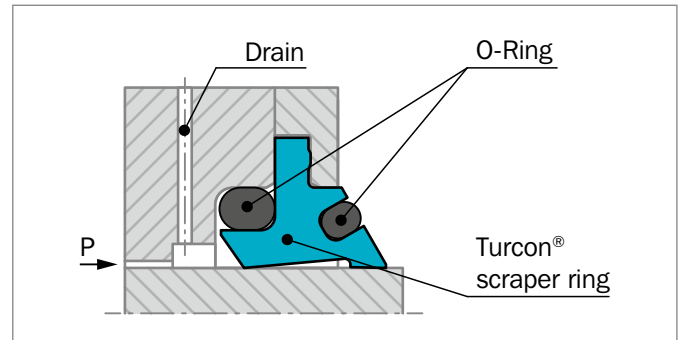


Figure 180: Optional Turcon® Excluder® SR with O-Ring activated Excluder® lip

### ORDERING EXAMPLE

Turcon® Excluder® SR complete with O-Rings, standard application:

<b>Series:</b>	WES3R from Table 162
<b>Rod Diameter:</b>	$d_N = 350.0$ mm
<b>TSS Part No.:</b>	WES3R3500 from Table 163

Select the material from Table 161. The corresponding code numbers are appended to the TSS Part No. Together these form the TSS Article Number. The TSS Article No. for all intermediate sizes can be determined by following the example:

<b>TSS Article No.</b>	<b>WES3</b>	<b>R</b>	<b>3500</b>	<b>-</b>	<b>M12</b>	<b>N</b>
Series No.	_____	_____	_____	_____	_____	_____
Type (Standard)	_____	_____	_____	_____	_____	_____
Rod Diameter x 10*	_____	_____	_____	_____	_____	_____
Quality Index (Standard)	_____	_____	_____	_____	_____	_____
Material Code (Scraper)	_____	_____	_____	_____	_____	_____
Material Code (O-Ring)	_____	_____	_____	_____	_____	_____

\* For diameters  $d_N \geq 1,000$  mm WES\_R is available on TSS Special Article No.



---

ⓘ This page is intentionally left blank.

# Turcon® Excluder® 1 and Excluder® 113



---

Single-acting

---

Rubber-energized Single-acting Scraper

**Material:**

Turcon®, Zurcon® and Elastomer

---



---

! This page is intentionally left blank.



## Turcon® Excluder® 1



### Description

Turcon® Excluder® 1 is the classic single acting scraper both for rough, delicate, hot or cold environments. It consists of two components, a scraper ring and a flexible elastomer O-Ring which ensures a tight contact with surface to be scraped. The O-Ring also functions as static seal between the opposite side of the scraper ring and the groove bottom.

- No vulcanising to counter surface
- High and low temperature capability
- Very high resistance to hydraulic media
- Available in all sizes from 6 mm to 999 mm. Sizes above 1,000 mm are available on TSS Special Part Number
- ISO 6195 Type D housing dimension up to diameter 63 mm

### APPLICATIONS

Excluder® 1 can be installed in a variety of rod sealing systems with linear movements.

A single acting scraper requires a very tight sealing system for minimising the fluid film, which will pass the scraper as leakage, and to prevent pressure activation, which can disturb the scraping function.

Produced in hard Turcon® or Zurcon® materials, the robust Excluder® 1 is able to scrape off difficult and persistent impurities such as dust, dirt, solid particles, ice, etc.

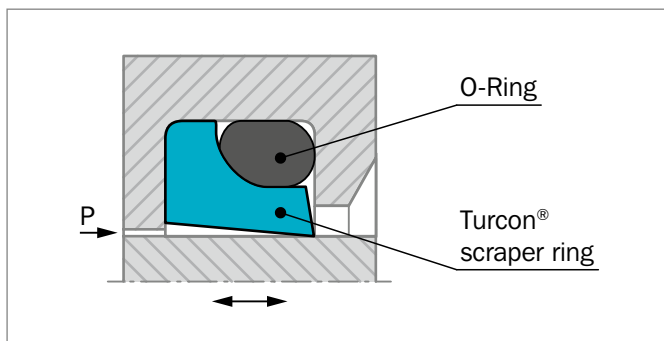


Figure 181: Turcon® Excluder® 1 an all-round single acting scraper

### ADVANTAGES

- Simple compact groove requirement, same as Turcon® Excluder® 2
- Excellent scraping performance
- Excellent wear resistant
- Compact robust design
- Compensates for deflection of the piston rod
- Low friction
- No stick-slip effect

### OPERATING CONDITIONS

<b>Speed linear:</b>	Max. 15 m/s Turcon® materials Max. 5 m/s Zurcon® Z80 materials Max. 2 m/s Zurcon® Z53/Z54 materials
<b>Temperature:</b>	-45 °C to + 200 °C (Turcon® ) -45 °C to + 80 °C (Zurcon® Z80) -45 °C to + 110 °C (Zurcon® Z53/Z54) depending on O-Ring material
<b>Media:</b>	Mineral oil-based hydraulic fluids, flame retardant hydraulic fluids, environmentally friendly hydraulic fluids (bio-oils), phosphate ester, water, air and others, depending on scraper ring and O-Ring material compatibility.

### IMPORTANT NOTE

The above data are maximum values and cannot be used at the same time, e.g. the maximum operating speed depends on material type, environment, temperature and media.

### INSTALLATION INSTRUCTIONS

Excluder® 1 scraper can be installed in split and closed grooves. Installation in closed grooves is dependent on the rod diameter, profile cross-section of the scraper and on the cord cross-section of the corresponding O-Ring, see Table 164.

**Table 164: Installation in Closed Grooves**

Turcon® Excluder® 1 Series No.	Rod Diameter $d_N$ mm	O-Ring Cross Section $d_2$ mm
WEM3, WEL5	> 30	1.78
WEM3, WEL5, WEH1	> 30	2.62
WEM3, WEL5, WEH1	> 30	3.53
WEM3, WEL5, WEH1	> 40	5.33
WEM3, WEL5, WEH1	> 110	7.00
WEM3, WEH1	> 140	8.40

- 1) The O-Ring is installed in the groove.
- 2) The Excluder® ring is compressed into a kidney-shape and placed in the groove, see Figure 182.

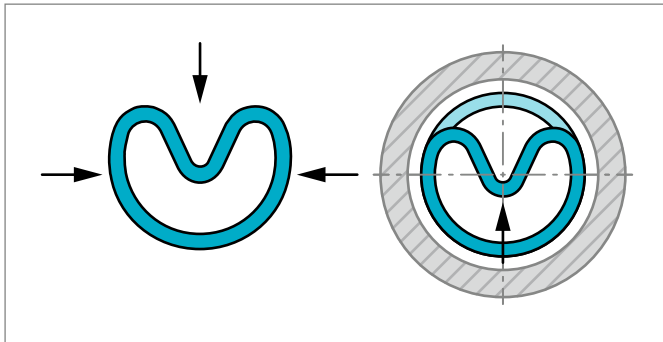


Figure 182: Place the Excluder® in compressed form into the groove behind the O-Ring and push Excluder® ring in the direction of the arrow

**RECOMMENDED MATERIALS**

The following material combinations have proven effective for hydraulic applications:

**Turcon® Excluder® 1 in Turcon® M12**

All round material for light to medium hydraulic applications linear, short stroke or helical movements in mineral oils, flame retardant hydraulic fluids, phosphate ester, bio-oils or fluids having low lubricating properties:

O-Ring: NBR 70 Shore A N  
FKM 70 Shore A V

Set code: M12N or M12V

**Turcon® Excluder® 1 in Turcon® T46**

For medium to heavy applications with linear movements in mineral oils and other media with good lubrication:

O-Ring: NBR 70 Shore A N  
FKM 70 Shore A V

Set code: T46N or T46V

For specific applications, all Turcon® materials are available. Other material combinations are listed in Table 165.

**Table 165: Turcon® and Zurcon® Materials for Excluder® 1 and 113**

Material, Applications, Properties	Code	O-Ring Material Shore A	Code	O-Ring Operating Temp. * °C	Mating Surface Material	Speed max. m/s
<b>Turcon® M12</b> First material choice for linear motion Overall improved properties For new constructions and updating For all commonly applied hydraulic fluids including fluids with low lubrication performance Lowest friction and best sliding properties Lowest wear on seals Improved absorption of abrasive contaminants Low wear or abrasion of counter surface BAM tested Mineral fiber and Additives filled Color: Dark gray	M12	NBR 70	N	-30 to +100	Steel	15
		NBR 70 Low temp.	T	-45 to +80	Steel, hardened Steel, chrome plated (rod)	
		FKM 70	V	-10 to +200	Steel plated (rod) Cast iron Stainless steel Titanium	
<b>Turcon® T40</b> For lubricating and non-lubricating fluids High frequency and short strokes Water hydraulics Surface texture is not suitable for gas sealing Carbon fiber filled Color: Gray.	T40	NBR 70	N	-30 to +100	Steel	15
		NBR 70 Low temp.	T	-45 to +80	Steel, chrome plated (rod) Cast iron	
		FKM 70	V	-10 to +200	Stainless steel	
		EPDM 70	E**	-45 to +145	Aluminum	
<b>Turcon® T46</b> For lubricated hydraulics in linear motion High compressive strength High extrusion resistance Very good sliding and wear properties BAM tested Bronze filled Color: Light to dark brown, which may have variations in shading.	T46	NBR 70	N	-30 to +100	Steel, hardened	15
		NBR 70 Low temp.	T	-45 to +80	Steel, chrome plated (rod) Cast iron	
		FKM 70	V	-10 to +200		
<b>Zurcon® Z53***</b> For mineral oil based fluids Very high abrasion and extrusion resistance For counter surface with rougher surface finishes More difficult to install Limited chemical resistance Max. working temperature +110 °C Cast polyurethane Color: Yellow to light-brown	Z53	NBR 70	N	-30 to +100	Steel	1
		NBR 70 Low temp.	T	-45 to +80	Steel, hardened Steel chrome plated (rod) Cast iron Ceramic coating Stainless steel	

Table continues on next page



Material, Applications, Properties	Code	O-Ring Material Shore A	Code	O-Ring Operating Temp.* °C	Mating Surface Material	Speed max. m/s
<b>Zurcon® Z54***</b> For mineral oil based fluids Linear and slowly turning movements High abrasion resistance For counter surface with rougher surface finishes Good extrusion resistance Limited chemical resistance Max. working temperature +110 °C Cast polyurethane Color: Turquoise	Z54	NBR 70	N	-30 to +100	Steel	1
		NBR 70 Low temp.	T	-45 to +80	Steel, hardened Steel, chrome plated (rod) Cast iron Stainless steel Aluminum Ceramic coating	
<b>Zurcon® Z80</b> For lubricating and non-lubricating fluids Water based fluids, air and gases Dry air pneumatics High abrasion and extrusion resistance For service in abrasive conditions and media with particles Good chemical resistance Limited temperature capability (-60 to +80 °C) UHMWPE (Ultra High Molecular Weight Polyethylene)	Z80	NBR 70	N	-30 to (+100)	Steel	5
		NBR 70 Low temp.	T	-45 to +80	Steel, chrome plated (rod) Stainless steel	
		EPDM 70	E**	-45 to (+145)	Aluminum Ceramic coating	

\* The O-Ring Operation Temperature is only valid in mineral hydraulic oil, except EPDM.

\*\* Material not suitable for mineral oils.

\*\*\* Max. diameter 2,200 mm

BAM: Tested by "Bundesanstalt Materialprüfung, Germany".

Highlighted materials are recommended.



## Installation Recommendation

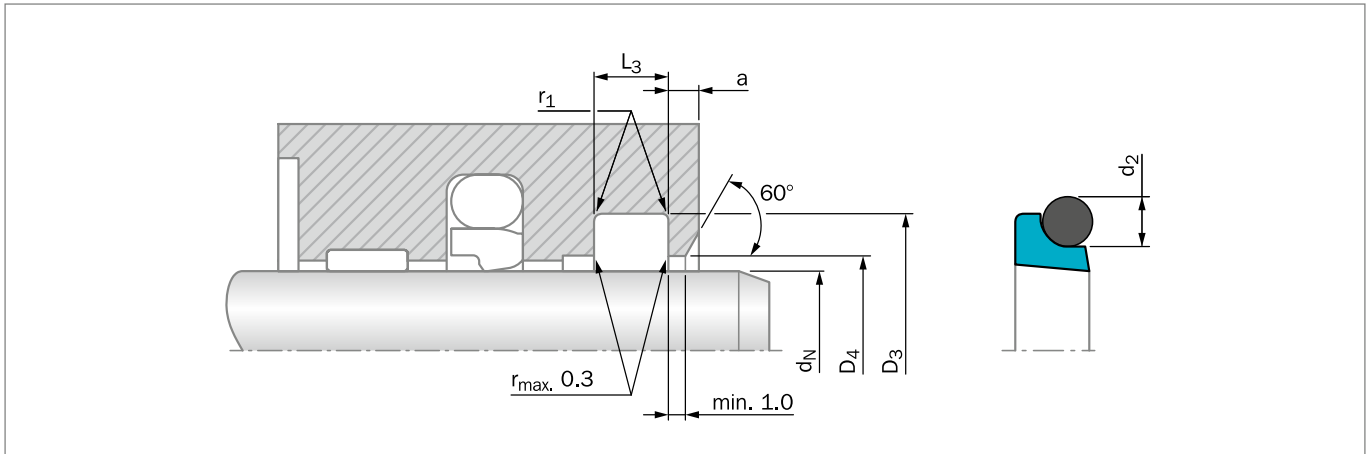


Figure 183: Installation Drawing

**Table 166: Installation Dimensions – Standard Recommendations**

Rod Diameter $d_N$ f8/h9			Groove Diameter	Groove Width	Bore Diameter	Step Width	Radius	O-Ring Cross Section
Serie No. WEM3 Standard Application	Serie No. WEL5 Light Application	Serie No. WEH1 Heavy Duty Application	$D_3$ H9	$L_3$ +0.2	$D_4$ H11	$a_{min}$	$r_1$ max	$d_2$
6 - 11.9	12 - 64.9	-	$d_N + 4.8$	3.7	$d_N + 1.5$	2.0	0.4	1.78
12 - 64.9	65 - 250.9	6 - 11.9	$d_N + 6.8$	5.0	$d_N + 1.5$	2.0	0.7	2.62
65 - 250.9	251 - 420.9	12 - 64.9	$d_N + 8.8$	6.0	$d_N + 1.5$	3.0	1.0	3.53
251 - 420.9	421 - 650.9	65 - 250.9	$d_N + 12.2$	8.4	$d_N + 2.0$	4.0	1.2	5.33
421 - 650.9	651 - 999.9	251 - 420.9	$d_N + 16.0$	11.0	$d_N + 2.0$	4.0	1.5	7.00
651 - 999.9		421 - 650.9	$d_N + 20.0$	14.0	$d_N + 2.5$	5.0	2.0	8.40

Sizes from  $d_N$  1,000.0 mm to  $d_N$  2,600.0 mm are available on TSS special part number

### ORDERING EXAMPLE

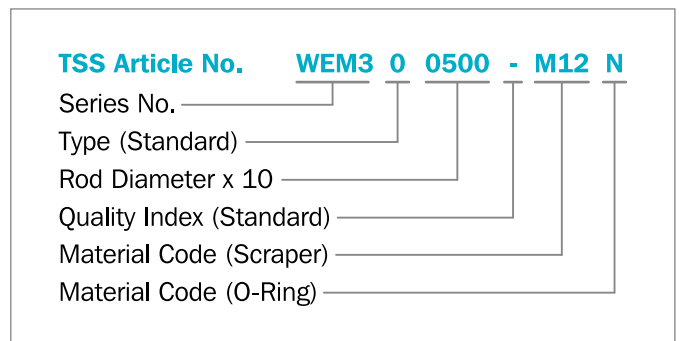
Turcon® Excluder® 1 complete with O-Ring, standard application:

**Series:** WEM3 from Table 166

**Rod Diameter:**  $d_N = 50.0$  mm

**TSS Part No.:** WEM300500 from Table 167

Select the material from Table 165. The corresponding code numbers are appended to the TSS Part No. Together these form the TSS Article Number. The TSS Article No. for all intermediate sizes can be determined by following the example:







**Table 167: Installation Dimensions / TSS Part Numbers**

Rod Dia.	Groove Dia.	Groove Width	TSS Part No.	O-Ring Size	Rod Dia.	Groove Dia.	Groove Width	TSS Part No.	O-Ring Size
d <sub>N</sub> f8/h9	D <sub>3</sub> H9	L <sub>3</sub> +0.2			d <sub>N</sub> f8/h9	D <sub>3</sub> H9	L <sub>3</sub> +0.2		
6.0*	10.8	3.7	<a href="#">WEM300060</a>	7.65 x 1.78	225.0	233.8	6.0	<a href="#">WEM302250</a>	228.19 x 3.53
8.0*	12.8	3.7	<a href="#">WEM300080</a>	9.50 x 1.80	250.0	258.8	6.0	<a href="#">WEM302500</a>	253.59 x 3.53
10.0*	14.8	3.7	<a href="#">WEM300100</a>	11.80 x 1.80	275.0	287.2	8.4	<a href="#">WEM302750</a>	278.77 x 5.33
12.0*	18.8	5.0	<a href="#">WEM300120</a>	13.94 x 2.62	300.0	312.2	8.4	<a href="#">WEM303000</a>	304.17 x 5.33
14.0*	20.8	5.0	<a href="#">WEM300140</a>	15.54 x 2.62	320.0	332.2	8.4	<a href="#">WEM303200</a>	304.17 x 5.33
16.0*	22.8	5.0	<a href="#">WEM300160</a>	18.00 x 2.65	380.0	392.2	8.4	<a href="#">WEM303800</a>	380.37 x 5.33
18.0*	24.8	5.0	<a href="#">WEM300180</a>	20.29 x 2.62	400.0	412.2	8.4	<a href="#">WEM304000</a>	405.26 x 5.33
19.0	25.8	5.0	<a href="#">WEM300190</a>	20.29 x 2.62	450.0	466.0	11.0	<a href="#">WEM304500</a>	443.36 x 7.00
20.0*	26.8	5.0	<a href="#">WEM300200</a>	21.89 x 2.62	480.0	496.0	11.0	<a href="#">WEM304800</a>	481.38 x 7.00
22.0*	28.8	5.0	<a href="#">WEM300220</a>	23.47 x 2.62	500.0	516.0	11.0	<a href="#">WEM305000</a>	494.16 x 7.00
25.0*	31.8	5.0	<a href="#">WEM300250</a>	26.64 x 2.62	550.0	566.0	11.0	<a href="#">WEM305500</a>	557.66 x 7.00
28.0*	34.8	5.0	<a href="#">WEM300280</a>	29.82 x 2.62	600.0	616.0	11.0	<a href="#">WEM306000</a>	608.08 x 7.00
30.0	36.8	5.0	<a href="#">WEM300300</a>	31.42 x 2.62	640.0	656.0	11.0	<a href="#">WEM306400</a>	633.48 x 7.00
32.0*	38.8	5.0	<a href="#">WEM300320</a>	34.59 x 2.62	680.0	700.0	14.0	<a href="#">WEM306800</a>	685 x 8.40
33.0	39.8	5.0	<a href="#">WEM300330</a>	34.59 x 2.62	700.0	720.0	14.0	<a href="#">WEM307000</a>	705 x 8.40
34.0	40.8	5.0	<a href="#">WEM300340</a>	36.17 x 2.62	750.0	770.0	14.0	<a href="#">WEM307500</a>	755 x 8.40
35.0	41.8	5.0	<a href="#">WEM300350</a>	36.17 x 2.62	800.0	820.0	14.0	<a href="#">WEM308000</a>	805 x 8.40
36.0*	42.8	5.0	<a href="#">WEM300360</a>	37.77 x 2.62	850.0	870.0	14.0	<a href="#">WEM308500</a>	855 x 8.40
40.0*	46.8	5.0	<a href="#">WEM300400</a>	42.52 x 2.62	900.0	920.0	14.0	<a href="#">WEM309000</a>	905 x 8.40
45.0*	51.8	5.0	<a href="#">WEM300450</a>	47.29 x 2.62	950.0	970.0	14.0	<a href="#">WEM309500</a>	955 x 8.40
48.0	54.8	5.0	<a href="#">WEM300480</a>	50.47 x 2.62					
50.0*	56.8	5.0	<a href="#">WEM300500</a>	52.07 x 2.62					
56.0*	62.8	5.0	<a href="#">WEM300560</a>	58.42 x 2.62					
60.0	66.8	5.0	<a href="#">WEM300600</a>	61.60 x 2.62					
63.0*	69.8	5.0	<a href="#">WEM300630</a>	64.77 x 2.62					
65.0	73.8	6.0	<a href="#">WEM300650</a>	66.27 x 3.53					
70.0	78.8	6.0	<a href="#">WEM300700</a>	72.62 x 3.53					
75.0	83.8	6.0	<a href="#">WEM300750</a>	75.79 x 3.53					
80.0	88.8	6.0	<a href="#">WEM300800</a>	82.14 x 3.53					
85.0	93.8	6.0	<a href="#">WEM300850</a>	85.32 x 3.53					
90.0	98.8	6.0	<a href="#">WEM300900</a>	91.67 x 3.53					
100.0	108.8	6.0	<a href="#">WEM301000</a>	101.19 x 3.53					
110.0	118.8	6.0	<a href="#">WEM301100</a>	110.72 x 3.53					
120.0	128.8	6.0	<a href="#">WEM301200</a>	120.24 x 3.53					
130.0	138.8	6.0	<a href="#">WEM301300</a>	132.94 x 3.53					
140.0	148.8	6.0	<a href="#">WEM301400</a>	142.47 x 3.53					
150.0	158.8	6.0	<a href="#">WEM301500</a>	151.99 x 3.53					
160.0	168.8	6.0	<a href="#">WEM301600</a>	158.34 x 3.53					
180.0	188.8	6.0	<a href="#">WEM301800</a>	177.39 x 3.53					
200.0	208.8	6.0	<a href="#">WEM302000</a>	202.79 x 3.53					

\* Installation in grooves according to ISO 6195 Type D



## Turcon® Excluder® 113

### Description

If Turcon® Excluder® 1 has been deformed or tilted by pressure activation, and acted as a seal, the pressure might have extruded and damaged the scraper lip.

To prevent this a one-way pressure relief version can be utilised where the pressure in all circumstances is channelled to a circumferential groove in Turcon® Excluder® 113 below the elastomers activation element. Should a high pressure appear, the scraping lip will shortly be lifted and the pressure released. Excluder® 113 is also applicable where the choice of seals would involve a risk of hydrodynamic pressure build-up between a seal and a double lip Excluder®.

Only available on TSS Standard Part No. in WEM3 series in all sizes from 6 mm to 999 mm. Sizes above 1,000 mm are available on TSS Special Part Number.

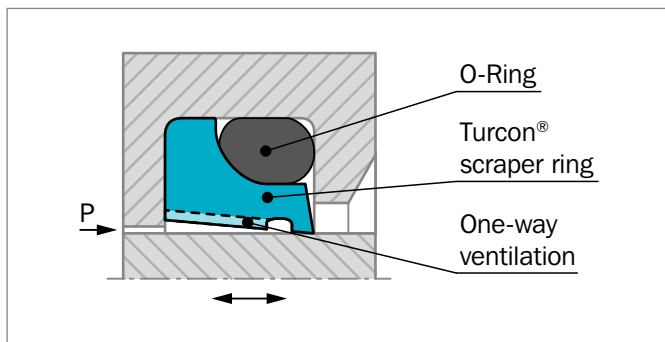


Figure 184: Turcon® Excluder® 113 with built-in one-way pressure relief

### OPERATING CONDITIONS

Identical to Turcon® Excluder® 1 see page 489.

### INSTALLATION INSTRUCTIONS

Excluder® 113 scrapers can be installed in split and closed grooves.

Installation in closed grooves is dependent on the rod diameter, profile cross-section of the scraper and on the cord cross-section of the corresponding O-Ring, see Table 168.

**Table 168: Installation in Closed Grooves**

Turcon® Excluder® 113 Series No.	Rod Diameter $d_N$ mm	O-Ring Cross Section- $\emptyset$ $d_2$ mm
WEM3E	> 30	1.78
WEM3E	> 30	2.62
WEM3E	> 30	3.53
WEM3E	> 40	5.33
WEM3E	> 110	7.00
WEM3E	> 140	8.40

Installation procedure is identical to Turcon® Excluder® 1

### MATERIALS

Identical to Turcon® Excluder® 1, see Table 165.



## ■ Installation Recommendation

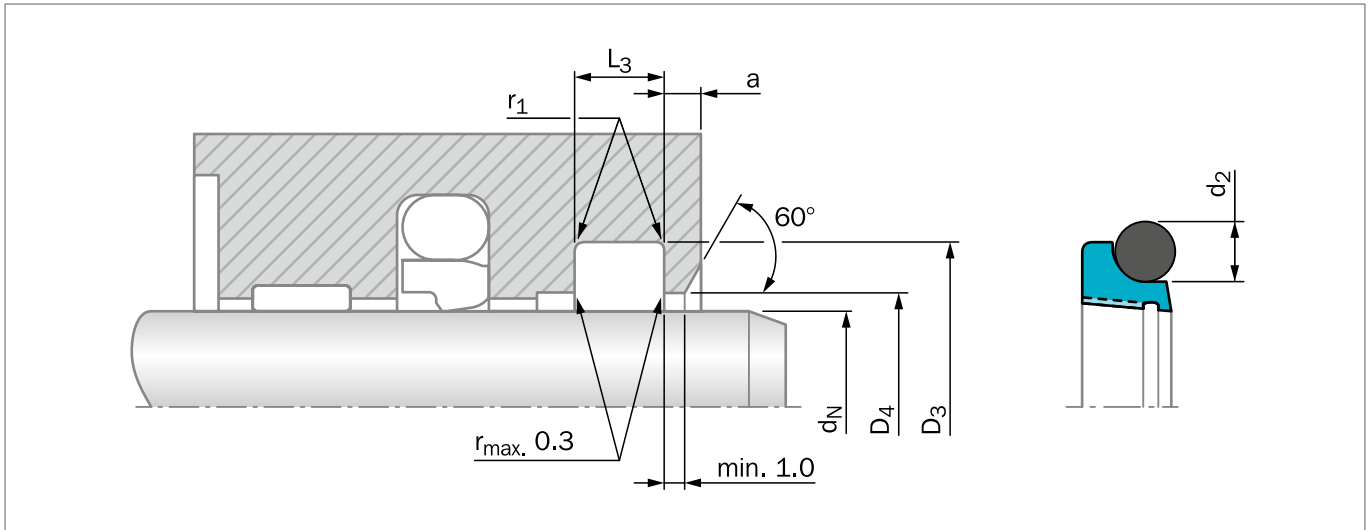


Figure 185: Installation Drawing

**Table 169: Installation Dimensions**

Series No.	Rod Diameter $d_N$ f8/h9	Groove Diameter	Groove Width	Bore Diameter	Step Width	Radius	O-Ring Cross Section
	Standard Application	$D_3$ H9	$L_3$ +0.2/-0.0	$D_4$ H11	$a_{min}$	$r_1$ max	$d_2$
WEM3E	6 – 11.9	$d_N + 4.8$	3.7	$d_N + 1.5$	2.0	0.4	1.78
WEM3E	12 – 64.9	$d_N + 6.8$	5.0	$d_N + 1.5$	2.0	0.7	2.62
WEM3E	65 – 250.9	$d_N + 8.8$	6.0	$d_N + 1.5$	3.0	1.0	3.53
WEM3E	251 – 420.9	$d_N + 12.2$	8.4	$d_N + 2.0$	4.0	1.2	5.33
WEM3E	421 – 650.9	$d_N + 16.0$	11.0	$d_N + 2.0$	4.0	1.5	7.00
WEM3E	651 – 999.9	$d_N + 20.0$	14.0	$d_N + 2.5$	5.0	2.0	8.40

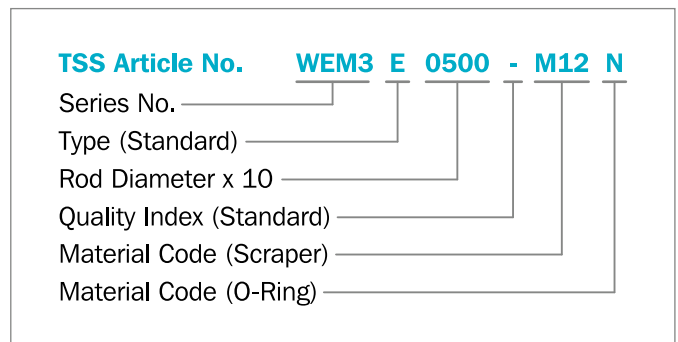
Sizes from  $d_N$  1,000.0 mm to  $d_N$  2,600.0 mm are available on special part number.

### ORDERING EXAMPLE

Turcon® Excluder® 113 complete with O-Ring, standard application:

<b>Series:</b>	WEM3E from Table 169
<b>Rod Diameter:</b>	$d_N = 50.0$ mm
<b>TSS Part No.:</b>	WEM3E0500 from Table 167

Select the material from Table 165. The corresponding code numbers are appended to the TSS Part No. Together these form the TSS Article Number. The TSS Article No. for all intermediate sizes can be determined by following the example:



# Scraper DA17



---

Double-acting

---

**Material:**  
Rubber

---



---

! This page is intentionally left blank.



## ■ Scraper DA17



### ■ Description

The scraper DA17 is a molded double-acting elastomer scraper. It has two geometrically different scraper lips.

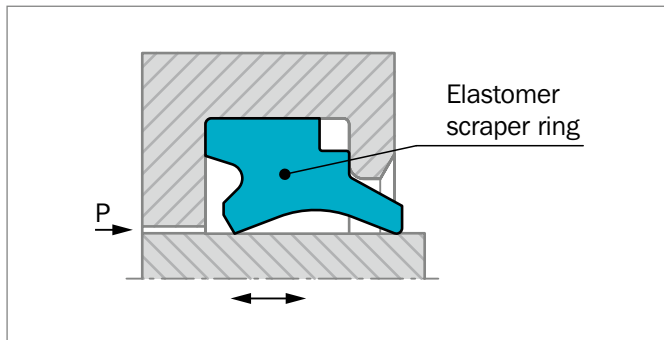


Figure 186: Scraper DA17

The scraper is preferably used for reciprocating piston rods and plunger pistons in hydraulic cylinders. It prevents the penetration of dirt into the system and on the medium side holds back the residual oil film from the extending piston rod.

The scraper is preferably used in conjunction with our rod seal Turcon® Stepseal®, i.e. seals with a hydrodynamic back-pumping function.

### ADVANTAGES

- Low friction
- Good scraping effect both inwards and outwards
- Simple, small installation groove
- Compact design
- Easy installation and removal without tools

### OPERATING CONDITIONS

<b>Speed:</b>	Up to 1 m/s
<b>Temperature:</b>	-25 °C to +100 °C
<b>Media:</b>	Mineral oil-based hydraulic fluids, flame retardant hydraulic fluids (HFA, HFB, HFC), water, air, etc.

### IMPORTANT NOTE

The above data are maximum values and cannot be used at the same time, e.g. the maximum operating speed depends on material type, pressure, temperature and gap value. Temperature range also depends on media.

### MATERIAL

Standard material: NBR 90 Shore A



## ■ Installation Recommendation

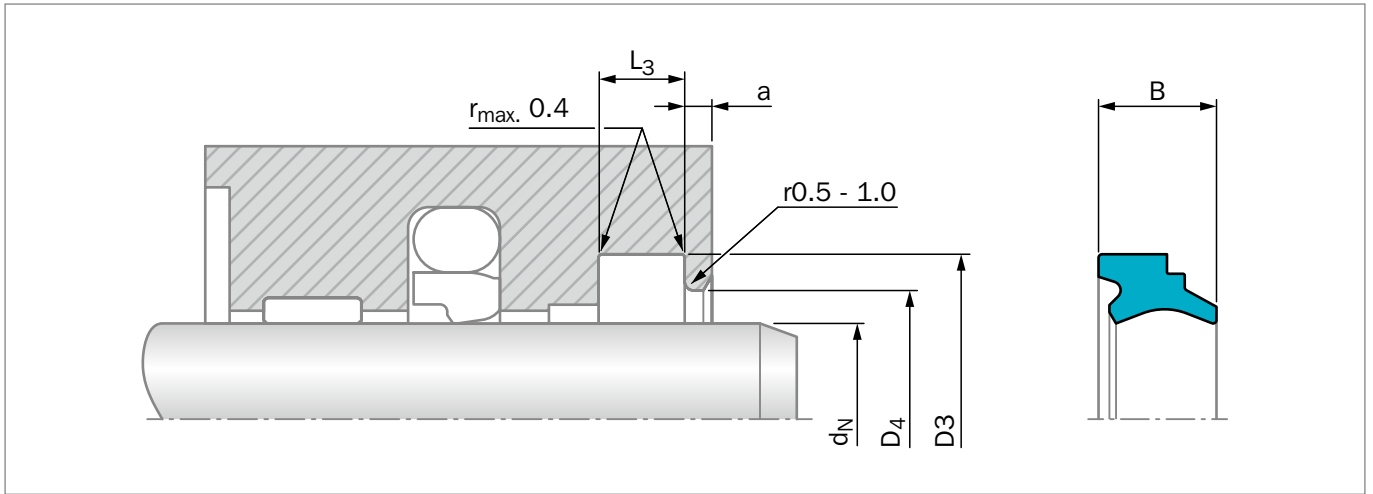


Figure 187: Installation Drawing

### ORDERING EXAMPLE

Scraper DA17

<b>Rod Diameter:</b>	$d_N = 50.0 \text{ mm}$
<b>TSS Part No.:</b>	WD1700500 from Table 170
<b>Material:</b>	Standard material NBR 90 Shore A, Code N9

<b>TSS Article No.</b>	<b>WD17 0 0500 - N9</b>
TSS Series No.	WD17
Type (Standard)	0
Rod Diameter x 10	0500
Quality Index	-
Material Code	N9

Table 170: Installation Dimensions / TSS Part No.

Rod Diameter	Groove Diameter	Groove Width	Bore Diameter	Step Width	Width	TSS Part No.
$d_N$	D3	$L_3$	D4	$a_{min}$	B	
f8/h9	H9	+0.2	H11			
<b>10.0</b>	<b>18.0</b>	<b>6.0</b>	<b>13.5</b>	<b>2.0</b>	<b>8.0</b>	<b>WD1700100</b>
<b>12.0</b>	<b>20.0</b>	<b>6.0</b>	<b>15.5</b>	<b>2.0</b>	<b>8.0</b>	<b>WD1700120</b>
<b>14.0</b>	<b>22.0</b>	<b>6.0</b>	<b>17.5</b>	<b>2.0</b>	<b>8.0</b>	<b>WD1700140</b>
15.0	23.0	6.0	18.5	2.0	8.0	WD1700150
<b>16.0</b>	<b>24.0</b>	<b>6.0</b>	<b>19.5</b>	<b>2.0</b>	<b>8.0</b>	<b>WD1700160</b>
<b>18.0</b>	<b>26.0</b>	<b>6.0</b>	<b>21.5</b>	<b>2.0</b>	<b>8.0</b>	<b>WD1700180</b>
<b>20.0</b>	<b>28.0</b>	<b>6.0</b>	<b>23.5</b>	<b>2.0</b>	<b>8.0</b>	<b>WD1700200</b>
<b>22.0</b>	<b>30.0</b>	<b>6.0</b>	<b>25.5</b>	<b>2.0</b>	<b>8.0</b>	<b>WD1700220</b>
24.0	32.0	6.0	27.5	2.0	8.0	WD1700240
<b>25.0</b>	<b>33.0</b>	<b>6.0</b>	<b>28.5</b>	<b>2.0</b>	<b>8.0</b>	<b>WD1700250</b>
<b>28.0</b>	<b>36.0</b>	<b>6.0</b>	<b>31.5</b>	<b>2.0</b>	<b>8.0</b>	<b>WD1700280</b>
30.0	38.0	6.0	33.5	2.0	8.0	WD1700300



Rod Diameter	Groove Diameter	Groove Width	Bore Diameter	Step Width	Width	TSS Part No.
$d_N$	D3	L <sub>3</sub>	D <sub>4</sub>	a <sub>min</sub>	B	
f8/h9	H9	+0.2	H11			
<b>32.0</b>	<b>40.0</b>	<b>6.0</b>	<b>35.5</b>	<b>2.0</b>	<b>8.0</b>	<b>WD1700320</b>
35.0	43.0	6.0	38.5	2.0	8.0	WD1700350
<b>36.0</b>	44.0	6.0	39.5	2.0	8.0	WD1700360
37.0	45.0	6.0	40.5	2.0	8.0	WD1700370
38.0	46.0	6.0	41.5	2.0	8.0	WD1700380
<b>40.0</b>	<b>48.0</b>	<b>6.0</b>	<b>43.5</b>	<b>2.0</b>	<b>8.0</b>	<b>WD1700400</b>
42.0	50.0	6.0	45.5	2.0	8.0	WD1700420
<b>45.0</b>	<b>53.0</b>	<b>6.0</b>	<b>48.5</b>	<b>2.0</b>	<b>8.0</b>	<b>WD1700450</b>
46.0	54.0	6.0	49.5	2.0	8.0	WD1700460
48.0	56.0	6.0	51.5	2.0	8.0	WD1700480
<b>50.0</b>	<b>58.0</b>	<b>6.0</b>	<b>53.5</b>	<b>2.0</b>	<b>8.0</b>	<b>WD1700500</b>
52.0	60.0	6.0	55.5	2.0	8.0	WD1700520
55.0	63.0	6.0	58.5	2.0	8.0	WD1700550
<b>56.0</b>	<b>64.0</b>	<b>6.0</b>	<b>59.5</b>	<b>2.0</b>	<b>8.0</b>	<b>WD1700560</b>
60.0	68.0	6.0	63.5	2.0	8.0	WD1700600
<b>63.0</b>	<b>71.0</b>	<b>6.0</b>	<b>66.5</b>	<b>2.0</b>	<b>8.0</b>	<b>WD1700630</b>
65.0	73.0	6.0	68.5	2.0	8.0	WD1700650
68.0	76.0	6.0	71.5	2.0	8.0	WD1700680
<b>70.0</b>	<b>78.0</b>	<b>6.0</b>	<b>73.5</b>	<b>2.0</b>	<b>8.0</b>	<b>WD1700700</b>
75.0	83.0	6.0	78.5	2.0	8.0	WD1700750
<b>80.0</b>	<b>88.0</b>	<b>6.0</b>	<b>83.5</b>	<b>2.0</b>	<b>8.0</b>	<b>WD1700800</b>
85.0	93.0	6.0	88.5	2.0	8.0	WD1700850
<b>90.0</b>	<b>98.0</b>	<b>6.0</b>	<b>93.5</b>	<b>2.0</b>	<b>8.0</b>	<b>WD1700900</b>
95.0	103.0	6.0	98.5	2.0	8.0	WD1700950
<b>100.0</b>	<b>108.0</b>	<b>6.0</b>	<b>103.5</b>	<b>2.0</b>	<b>8.0</b>	<b>WD1701000</b>
105.0	117.0	8.2	110.0	3.0	11.0	WD1701050
<b>110.0</b>	<b>122.0</b>	<b>8.2</b>	<b>115.0</b>	<b>3.0</b>	<b>11.0</b>	<b>WD1701100</b>
115.0	127.0	8.2	120.0	3.0	11.0	WD1701150
120.0	132.0	8.2	125.0	3.0	11.0	WD1701200
<b>125.0</b>	<b>137.0</b>	<b>8.2</b>	<b>130.0</b>	<b>3.0</b>	<b>11.0</b>	<b>WD1701250</b>
130.0	142.0	8.2	135.0	3.0	11.0	WD1701300
135.0	147.0	8.2	140.0	3.0	11.0	WD1701350
<b>140.0</b>	<b>152.0</b>	<b>8.2</b>	<b>145.0</b>	<b>3.0</b>	<b>11.0</b>	<b>WD1701400</b>
145.0	157.0	8.2	150.0	3.0	11.0	WD1701450
150.0	162.0	8.2	155.0	3.0	11.0	WD1701500
155.0	167.0	8.2	160.0	3.0	11.0	WD1701550
<b>160.0</b>	<b>172.0</b>	<b>8.2</b>	<b>165.0</b>	<b>3.0</b>	<b>11.0</b>	<b>WD1701600</b>
165.0	177.0	8.2	170.0	3.0	11.0	WD1701650
170.0	182.0	8.2	175.0	3.0	11.0	WD1701700
<b>180.0</b>	<b>192.0</b>	<b>8.2</b>	<b>185.0</b>	<b>3.0</b>	<b>11.0</b>	<b>WD1701800</b>
185.0	197.0	8.2	190.0	3.0	11.0	WD1701850
190.0	202.0	8.2	195.0	3.0	11.0	WD1701900





Rod Diameter	Groove Diameter	Groove Width	Bore Diameter	Step Width	Width	TSS Part No.
$d_N$	<b>D3</b>	<b>L<sub>3</sub></b>	<b>D<sub>4</sub></b>	<b>a<sub>min</sub></b>	<b>B</b>	
f8/h9	H9	+0.2	H11			
195.0	207.0	8.2	200.0	3.0	11.0	WD1701950
<b>200.0</b>	<b>212.0</b>	8.2	<b>205.0</b>	<b>3.0</b>	<b>11.0</b>	<b>WD1702000</b>
205.0	220.0	9.5	212.0	3.0	13.0	WD1702050
210.0	225.0	9.5	217.0	3.0	13.0	WD1702100
<b>220.0</b>	<b>235.0</b>	<b>9.5</b>	<b>227.0</b>	<b>3.0</b>	<b>13.0</b>	<b>WD1702200</b>
225.0	240.0	9.5	232.0	3.0	13.0	WD1702250
240.0	255.0	9.5	247.0	3.0	13.0	WD1702400
<b>250.0</b>	<b>265.0</b>	<b>9.5</b>	<b>257.0</b>	<b>3.0</b>	<b>13.0</b>	<b>WD1702500</b>
260.0	275.0	9.5	267.0	3.0	13.0	WD1702600
275.0	290.0	9.5	282.0	3.0	13.0	WD1702750
<b>280.0</b>	<b>295.0</b>	<b>9.5</b>	<b>287.0</b>	3.0	<b>13.0</b>	<b>WD1702800</b>
290.0	305.0	9.5	297.0	3.0	13.0	WD1702900
300.0	315.0	9.5	307.0	3.0	13.0	WD1703000
310.0	325.0	9.5	317.0	3.0	13.0	WD1703100
<b>320.0</b>	<b>335.0</b>	<b>9.5</b>	<b>327.0</b>	<b>3.0</b>	<b>13.0</b>	<b>WD1703200</b>
350.0	365.0	9.5	357.0	3.0	13.0	WD1703500
<b>360.0</b>	<b>375.0</b>	<b>9.5</b>	<b>367.0</b>	<b>3.0</b>	<b>13.0</b>	<b>WD1703600</b>
370.0	385.0	9.5	377.0	3.0	13.0	WD1703700
400.0	415.0	9.5	407.0	3.0	13.0	WD1704000
440.0	455.0	9.5	447.0	3.0	13.0	WD1704400

The rod diameters in **bold** type comply with the recommendations of ISO 3320.  
Intermediate sizes above 125 mm diameter can also be supplied in impact vulcanized form.  
Up to 18 mm diameter, we recommend a split groove.  
Other dimensions on request.

# Zurcon® Scraper DA22



---

Double-acting

---

**Material:**  
Zurcon®

---



---

! This page is intentionally left blank.



## Zurcon® Scraper DA22



### Description

The scraper is a double-acting polyurethane wiper for closed groove installation. Significant improvements are achieved regarding the profile geometry and material used if compared with conventional elastomeric scrapers.

The scraper lip is designed in a particular way that it reliably scrapes off the dirt but leaves a residual oil film on the rod, which is required for correct operation. The radial squeeze is sufficient to remove particles, dust and water.

The scraping lip facing inwards is designed in a way that it assumes a sealing function even under low pressure. The static seal is achieved by a tight radial fit between the scraper body and the groove.

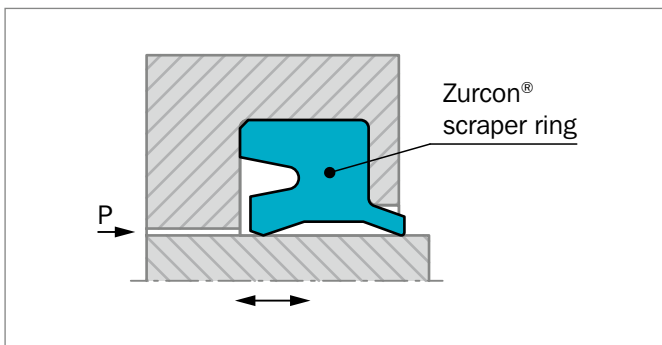


Figure 188: Scraper DA22

### ADVANTAGES

- Good scraping effect
- Wear resistant, long service life
- Retaining residual oil film
- Standard elements for standardized installation grooves.

### APPLICATION EXAMPLES

Due to the outstanding wiping capacities, DA22 scraper is recommended wherever there are dusty and humid conditions and especially for the following applications:

- ISO standard cylinders
- Hydraulic industrial cylinders
- Agriculture machinery

### OPERATING CONDITIONS

<b>Pressure</b>	Atmospheric pressure
<b>Scraper Side:</b>	
<b>Seal Side:</b>	Pressures up to 2 MPa (20 bar) a relief bore must be provided with higher pressures
<b>Speed:</b>	Up to 1 m/s
<b>Temperature:</b>	-35 °C to +100 °C
<b>Media:</b>	Mineral oils and greases
<b>Groove Type:</b>	Split/Closed (depending on size)

### IMPORTANT NOTE

The above data are maximum values and cannot be used at the same time, e.g. the maximum operating speed depends on material type, pressure, temperature and gap value. Temperature range also depends on media.

### MATERIALS

Standard application:

Zurcon® Polyurethane: 92 Shore A

Material Code: Z201

Color: Turquoise



## ■ Installation Recommendation

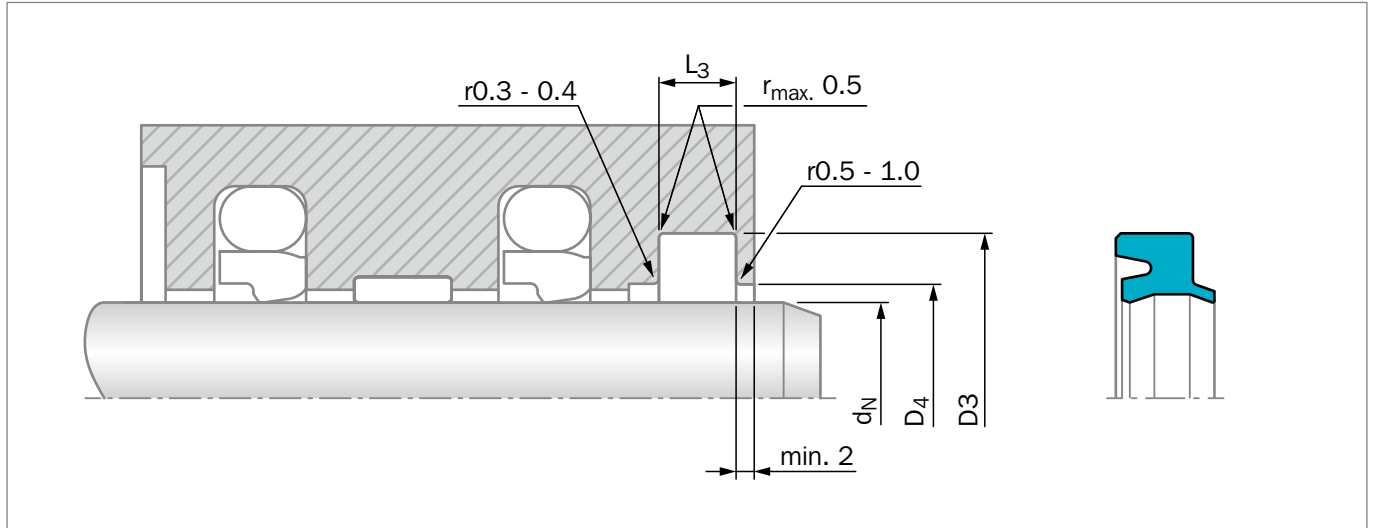


Figure 189: Installation Drawing

### ORDERING EXAMPLE

<b>Rod Diameter:</b>	$d_N = 36 \text{ mm}$
<b>Groove Diameter:</b>	$D3 = 44 \text{ mm}$
<b>TSS Part No.:</b>	WD2200360 from Table 171
<b>Material Code:</b>	Z201

<b>TSS Article No.</b>	<b>WD22 0 0360 - Z201</b>
TSS Series No.	WD22
Type (Standard)	0
Rod Diameter x 10	0360
Quality Index (Standard)	-
Material Code	Z201

Table 171: Installation Dimensions / TSS Part No.

Rod Diameter	Groove Diameter	Groove Width	Bore Diameter	TSS Part No.
$d_N$ f8/h9	D3 H9	$L_3$ +0.2	D4 H11	
5.0	10.0	3.5	7.5	WD2200050
8.0	13.0	3.5	10.5	WD2200080
10.0	16.0	4.0	12.5	WD2200100
<b>12.0</b>	<b>18.0</b>	<b>4.0</b>	<b>14.5</b>	<b>WD2200120</b>
12.0	18.6	3.8	15.0	WD2210120
<b>14.0</b>	<b>20.0</b>	<b>4.0</b>	<b>16.5</b>	<b>WD2200140</b>
14.0	20.6	3.8	17.0	WD2210140
16.0	22.0	4.0	18.5	WD2200160
<b>18.0</b>	<b>24.0</b>	<b>4.0</b>	<b>20.5</b>	<b>WD2200180</b>
18.0	24.6	3.8	21.0	WD2210180



Rod Diameter	Groove Diameter	Groove Width	Bore Diameter	TSS Part No.
$d_N$ f8/h9	D3 H9	L <sub>3</sub> +0.2	D <sub>4</sub> H11	
20.0	26.0	4.0	22.5	WD2200200
20.0	28.6	5.3	23.0	WD2210200
<b>22.0</b>	<b>28.0</b>	<b>4.0</b>	<b>24.5</b>	<b>WD2200220</b>
22.0	30.6	5.3	25.0	WD2210220
24.0	32.6	5.3	27.0	WD2210240
25.0	31.0	4.0	27.5	WD2200250
25.0	33.6	5.3	28.0	WD2210250
<b>28.0</b>	<b>36.0</b>	<b>5.0</b>	<b>31.0</b>	<b>WD2200280</b>
28.0	36.6	5.3	31.0	WD2210280
30.0	38.0	5.0	33.0	WD2200300
30.0	38.6	5.3	33.0	WD2210300
32.0	40.0	5.0	35.0	WD2200320
35.0	43.0	5.0	38.0	WD2200350
35.0	43.6	5.3	38.0	WD2210350
<b>36.0</b>	<b>44.0</b>	<b>5.0</b>	<b>39.0</b>	<b>WD2200360</b>
36.0	44.6	5.3	39.0	WD2210360
40.0	48.0	5.0	43.0	WD2200400
40.0	48.6	5.3	43.0	WD2210400
<b>45.0</b>	<b>53.0</b>	<b>5.0</b>	<b>48.0</b>	<b>WD2200450</b>
45.0	53.6	5.3	48.0	WD2210450
50.0	58.0	5.0	53.0	WD2200500
50.0	58.6	5.3	53.0	WD2210500
55.0	63.6	5.3	58.0	WD2210550
55.0	65.0	6.0	58.0	WD2200550
56.0	64.6	5.3	59.0	WD2210560
<b>56.0</b>	<b>66.0</b>	<b>6.0</b>	<b>59.0</b>	<b>WD2200560</b>
60.0	68.6	5.3	63.0	WD2210600
60.0	70.0	6.0	63.0	WD2200600
63.0	71.6	5.3	66.0	WD2210630
63.0	73.0	6.0	66.0	WD2200630
65.0	75.0	6.0	68.0	WD2200650
70.0	78.6	5.3	73.0	WD2210700
<b>70.0</b>	<b>80.0</b>	<b>6.0</b>	<b>73.0</b>	<b>WD2200700</b>
75.0	83.6	5.3	78.0	WD2210750
75.0	85.0	6.0	78.0	WD2200750
80.0	88.6	5.3	83.0	WD2210800
80.0	90.0	6.0	83.0	WD2200800
85.0	95.0	6.0	88.0	WD2200850
85.0	97.2	7.1	91.0	WD2210850
<b>90.0</b>	<b>100.0</b>	<b>6.0</b>	<b>93.0</b>	<b>WD2200900</b>
90.0	102.2	7.1	96.0	WD2210900
100.0	110.0	6.0	103.0	WD2201000



Rod Diameter	Groove Diameter	Groove Width	Bore Diameter	TSS Part No.
$d_N$ f8/h9	<b>D3</b> H9	<b>L<sub>3</sub></b> +0.2	<b>D<sub>4</sub></b> H11	
100.0	112.2	7.1	106.0	WD2211000
110.0	122.2	7.1	116.6	WD2211100
<b>110.0</b>	<b>125.0</b>	<b>8.5</b>	<b>114.0</b>	<b>WD2201100</b>
120.0	135.0	8.5	124.0	WD2201200
125.0	140.0	8.5	129.0	WD2201250
<b>140.0</b>	<b>155.0</b>	<b>8.5</b>	<b>144.0</b>	<b>WD2201400</b>
150.0	165.0	8.5	154.0	WD2201500
160.0	175.0	8.5	164.0	WD2201600
180.0	195.0	8.5	184.0	WD2201800

The sizes in **bold** type comply with ISO 6195. Installation groove Type C.  
Up to 18 mm diameter we recommend a split groove.  
Other sizes on request.

# Zurcon® Scraper DA24 & Venting Version



---

Double-acting

---

**Material:**  
Zurcon®

---





---

! This page is intentionally left blank.



## ■ Zurcon® Scraper DA24



### ■ Description

Zurcon® DA24 is a double-acting thermoplastic polyurethane scraper for severe operating conditions and heavy attack of dirt.

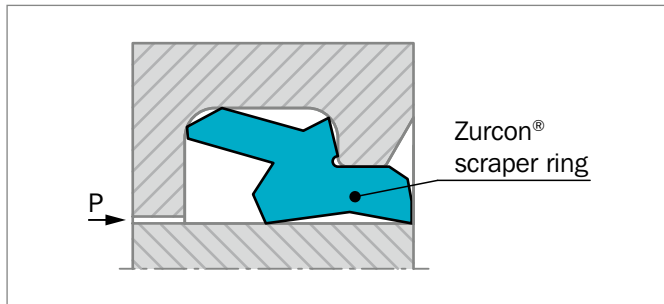


Figure 190: Scraper DA24: Standard Version

A new improved design available now in two different versions has been recently developed by Trelleborg Sealing Solutions to enhance the overall performances.

The special design of the inward-facing sealing lip contributes to an optimum contact pressure resulting in a very high scraper effect of the residual oil film thanks to the sharp, knife cut, scraping lip.

The outer scraper lip leans against the housing. This ensures an optimum sealing force and further it prevents the ingress of dirt and water across the groove bottom. Also in case of high level of external contamination and dirt or rod eccentricity under side load the scraper effect remains stable. The improved design reduces the friction with less heat generated and a longer service life.

The new design of DA24 is now available in two versions: standard and venting.

DA24 is produced in Zurcon®, the Trelleborg Sealing Solutions proprietary thermoplastic polyurethane material specially developed for sealing applications. This provides long service life under harsh working conditions and resistance against installation damage

### ADVANTAGES

- Very good scraper effect of the outward lip
- Very good sealing effect due to a trimmed inner sealing lip: Provides optimum contact pressure for efficient sealing and wiping of residual oil film
- Reliable at side steering of the piston rod
- Sturdy and wear-resistant
- Simple installation
- Advanced friction characteristics
- Limited heat generation extending service life
- Stability in the groove securing function
- Robust outer scraper lip supported by a housing recess, it ensures a high contact force on the rod

### VENTING VERSION FEATURE

In some situations when there is pressure build-up behind the scraper, the scraper can be pushed out of the groove causing total sealing system failure.

Zurcon® Scraper DA24 Venting Version has axial holes through the section which operate as pressure relief valves, allowing oil to be released in the case of overpressure.

Once the pressure is build-up the outer lip is temporarily activated through the axial holes and the pressure is released avoiding system failure. With improved stability in the groove the Zurcon® Scraper DA24 Venting Version becomes one of the most efficient scrapers available on the market.

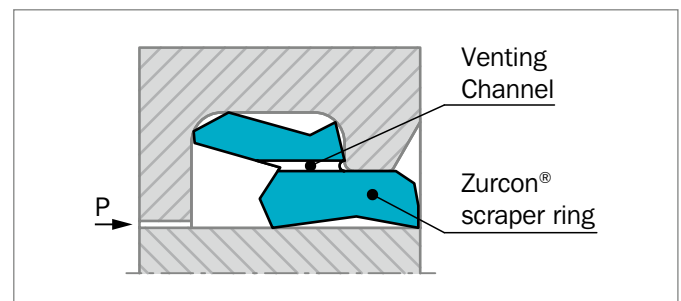
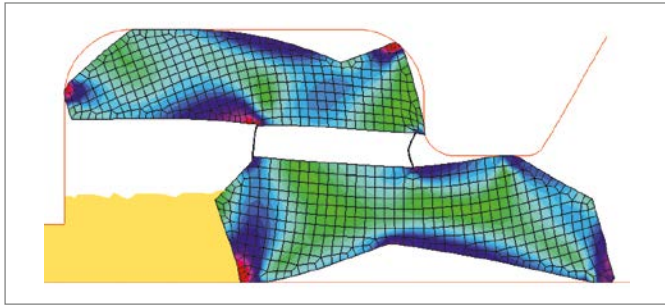


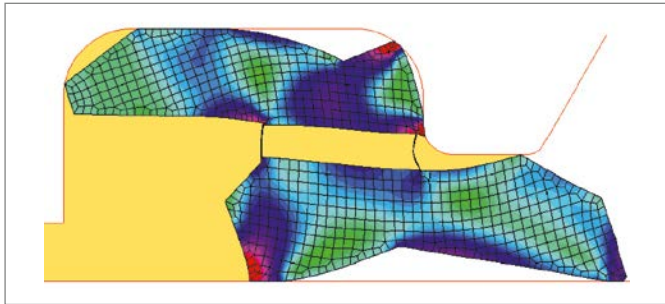
Figure 191: Scraper DA24: Venting Version



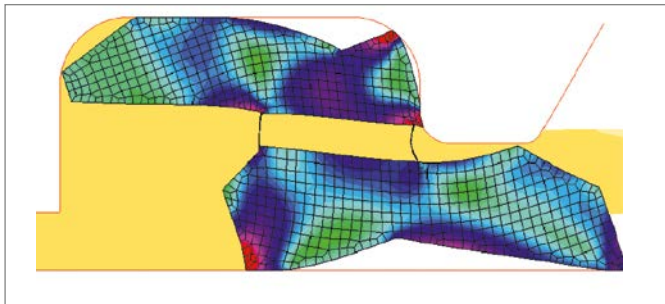
### METHOD OF OPERATION FOR VENTING VERSION



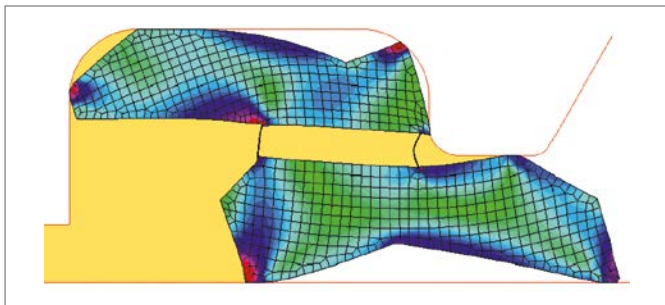
1. Pressurized oil flows through holes in the profile at the top of the scraping lip.



2. The scraping lip is pressed to the rod during pressure build-up.



3. A gap opens up between scraping lip and housing at a certain pressure level.



4. The oil is released and pressure is relieved.

### APPLICATION EXAMPLES

The scraper DA24 is especially suitable for application in:

- Construction machinery
- Agriculture- and forestry machinery
- Mobile hydraulic
- High attack of dirt
- Side steering of piston rod

### OPERATING CONDITIONS

<b>Pressure:</b>	standard version: max. 5 MPa venting version: max. 2 MPa
<b>Velocity:</b>	Up to 1 m/s at high strokes and higher speed, please contact your local Trelleborg Sealing Solutions company
<b>Temperature:</b>	-35 °C to +100 °C
<b>Media:</b>	Hydraulic fluids based on mineral oil

### MATERIALS – STANDARD APPLICATION:

The scraper DA24 consists of Zurcon® polyurethane material with excellent wear and extrusion resistance and low deformation under load.

Special Polyurethane: Zurcon® Z201 92 Shore A  
Set reference: Z201  
Color: Turquoise

### PREMIUM MATERIALS – HYDROLYSIS RESISTANCE:

Zurcon® Z24 Premium polyurethane

Set reference: Z24

The Zurcon® polyurethane has high abrasion resistance, a low compression set, high extrusion resistance and a wide temperature range.

### IMPORTANT NOTE

The above data are maximum values and cannot be used at the same time, e.g. the maximum operating speed depends on material type, pressure, temperature and gap value. Temperature range also depends on media.



## ■ Installation Recommendation

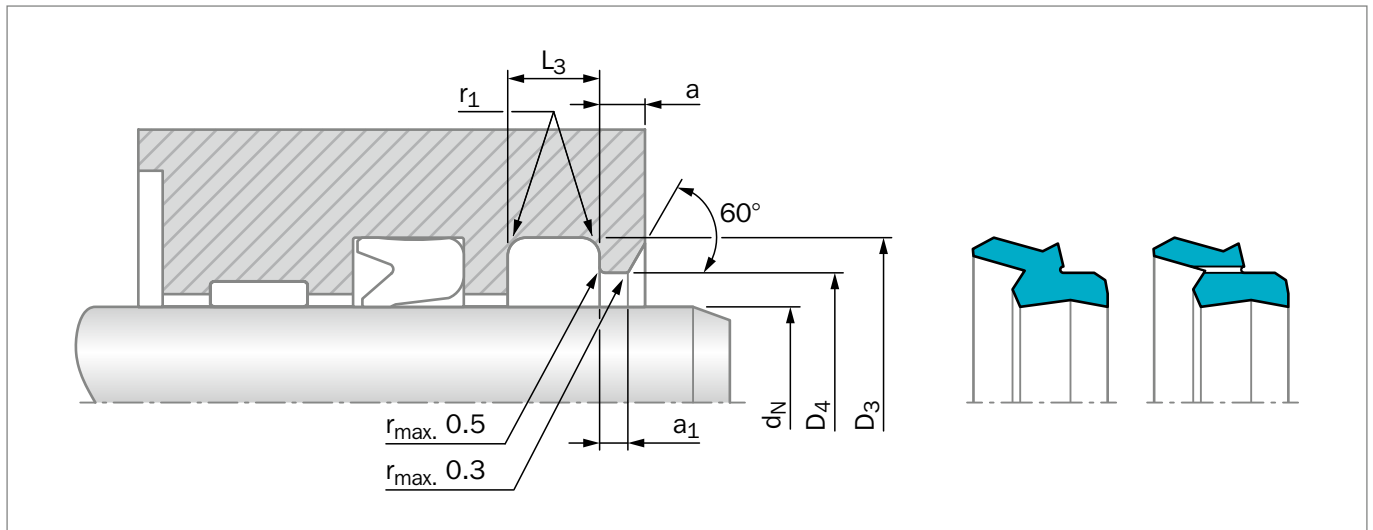


Figure 192: Installation Drawing

**Table 172: Preferred Series / Order No.**

Rod Diameter	Groove Diameter	Groove Width	Radius	Bore Diameter	Step Width	Step Width	TSS Part No. Standard Version
$d_N$ f8/h9	$D_3$ H9	$L_3$ +0.2	$r_1$ max.	$D_4$ H9	$a$ min.	$a_1$ min.	
45.0	53.8	6.3	1.2	49.4	3.2	2.0	WD2410450
50.0	58.8	6.3	1.2	54.4	3.2	2.0	WD2410500
56.0	64.8	6.3	1.2	60.4	3.2	2.0	WD2410560
60.0	68.8	6.3	1.2	64.4	3.2	2.0	WD2410600
70.0	82.2	8.1	1.6	76.0	4.0	2.5	WD2410700
75.0	87.2	8.1	1.6	81.0	4.0	2.5	WD2410750
80.0	92.2	8.1	1.6	86.0	4.0	2.5	WD2410800
85.0	97.2	8.1	1.6	91.0	4.0	2.5	WD2410850
90.0	102.2	8.1	1.6	96.0	4.0	2.5	WD2410900
95.0	107.2	8.1	1.6	101.0	4.0	2.5	WD2410950
100.0	112.2	8.1	1.6	106.0	4.0	2.5	WD2411000
105.0	117.2	8.1	1.6	111.0	4.0	2.5	WD2411050
110.0	122.2	8.1	1.6	116.0	4.0	2.5	WD2411100
115.0	127.2	8.1	1.6	121.0	4.0	2.5	WD2411150
125.0	137.2	8.1	1.6	131.0	4.0	2.5	WD2411250
140.0	156.0	9.5	2.0	148.0	5.0	3.0	WD2411400
150.0	166.0	9.5	2.0	158.0	5.0	3.0	WD2411500
160.0	176.0	9.5	2.0	168.0	5.0	3.0	WD2411600
170.0	186.0	9.5	2.0	178.0	5.0	3.0	WD2411700
180.0	196.0	9.5	2.0	188.0	5.0	3.0	WD2411800



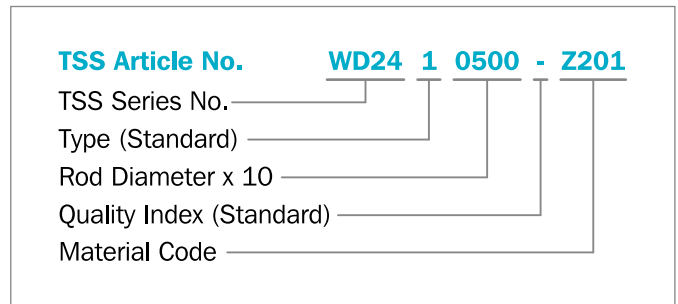
Rod Diameter	Groove Diameter	Groove Width	Radius	Bore Diameter	Step Width	Step Width	TSS Part No. Standard Version
$d_N$ f8/h9	$D_3$ H9	$L_3$ +0.2	$r_1$ max.	$D_4$ H9	$a$ min.	$a_1$ min.	
200.0	216.0	9.5	2.0	208.0	5.0	3.0	WD2412000
220.0	236.0	9.5	2.0	228.0	5.0	3.0	WD2412200
240.0	256.0	9.5	2.0	248.0	5.0	3.0	WD2412400
260.0	276.0	9.5	2.0	268.0	5.0	3.0	WD2412600
280.0	296.0	9.5	2.0	288.0	5.0	3.0	WD2412800
290.0	306.0	9.5	2.0	298.0	5.0	3.0	WD2412900

Other dimensions on request

### ORDERING EXAMPLE

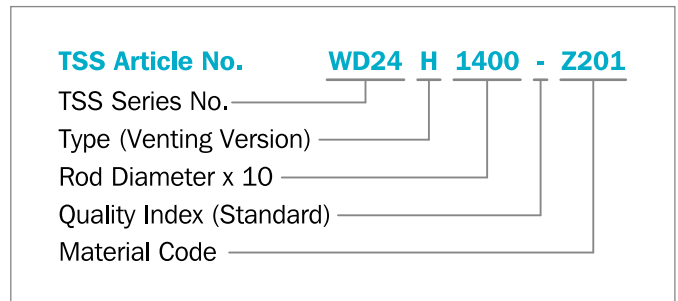
Standard Version:

<b>Rod Diameter:</b>	$d_N = 50$ mm
<b>Groove Diameter:</b>	$D_3 = 58.8$ mm
<b>Groove Width:</b>	$L_3 = 6.3$ mm
<b>TSS Part No.:</b>	WD2410500 from Table 172
<b>Material:</b>	Standard material Z201



Venting Version:

<b>Rod Diameter:</b>	$d_N = 140$ mm
<b>Groove Diameter:</b>	$D_3 = 156$ mm
<b>Groove Width:</b>	$L_3 = 9.5$ mm
<b>TSS Part No.:</b>	WD24H1400
<b>Material:</b>	Standard material Z201



# Scraper WRM



---

Single-acting

---

**Material:**  
NBR Elastomer

---



---

! This page is intentionally left blank.



## ■ Scraper WRM



### ■ Description

Scraper rings are essential components of any hydraulic or pneumatic equipment.

These are protection components for axial moving rods: they ensure that foreign matter is not introduced into the system, avoiding costly wear and damage to all the internal components including seals.

WRM scrapers are manufactured in nitrile elastomer with precision machined wiper lip, which produces a very effective wiping action.

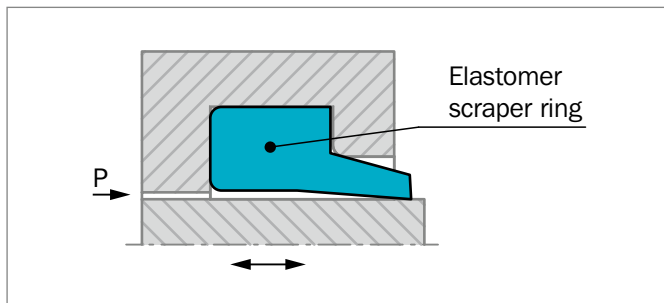


Figure 193: Scraper WRM

### ADVANTAGES

- Space-saving construction
- Low cost, economical solution
- Simple, easy-construction groove
- Easy installation and removal without tools

### APPLICATION EXAMPLES

Due to their outstanding wiping capacities WRM scrapers are recommended wherever there are dusty and humid conditions and especially for the following applications:

- Valve spindles
- Slide valves
- Hydraulic cylinders
- Agriculture machinery

### OPERATING CONDITIONS

<b>Speed:</b>	Up to 1 m/s
<b>Temperature:</b>	-30 °C to +110 °C
<b>Media:</b>	Mineral oil based hydraulic fluids, polyglycol-water emulsions, water-oil emulsions
<b>Groove Type:</b>	Closed

### IMPORTANT NOTE

The above data are maximum values and cannot be used at the same time, e.g. the maximum operating speed depends on material type, pressure, temperature and gap value. Temperature range also depends on media.

### MATERIALS

Standard application

Nitrile elastomer:	NBR 90 Shore A
Material Code:	N9T60
Polypac Ref. code:	2790





## ■ Installation Recommendation

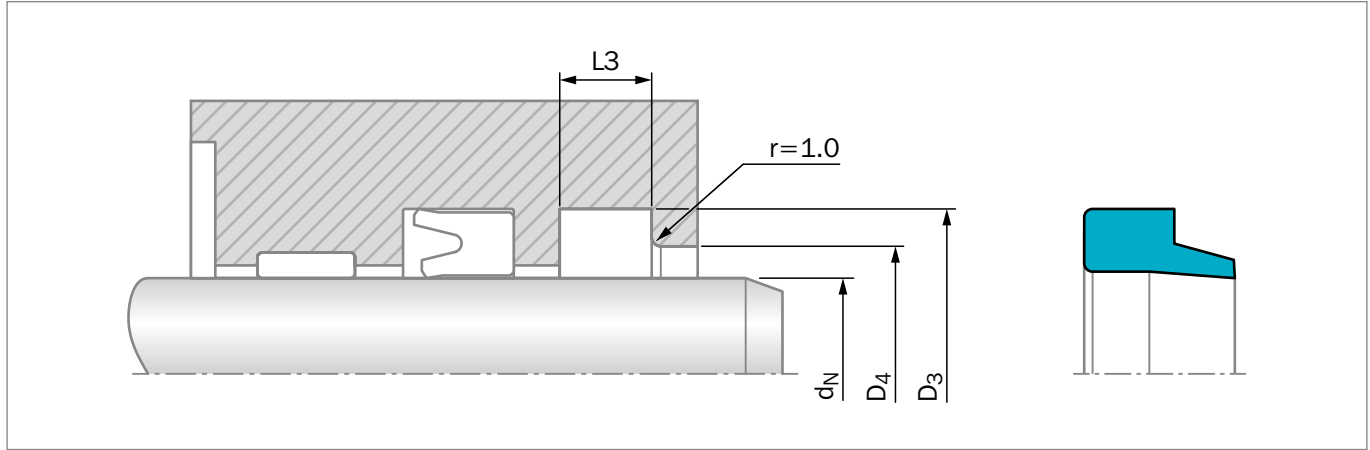
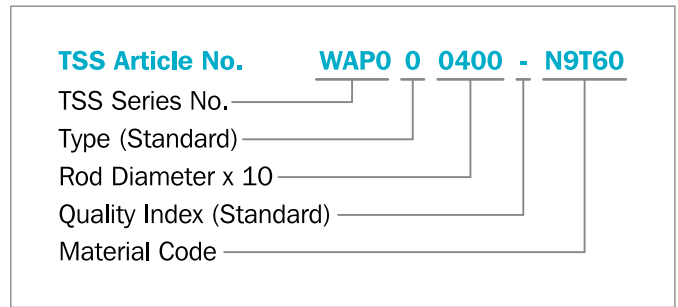


Figure 194: Installation Drawing

### ORDERING EXAMPLE

<b>Rod Diameter:</b>	$d_N = 40 \text{ mm}$
<b>TSS Part No.:</b>	WAP000400 from Table 173
<b>Material Code:</b>	N9T60 (standard)
<b>Polypac Ref.:</b>	WRM 157188



**Table 173: Installation Dimensions / TSS Part No.**

Rod Diameter	Groove Diameter	Groove Width	Bore Diameter	TSS Part No.	Description
$d_N$ f8/h9	$D_3$ H9	$L_3$ +0.2	$D_4$ +0.2		
12.0	18.6	3.8	15.0	WAP000120	WRM047070
13.0	19.6	3.8	16.0	WAP000130	WRM051074
14.0	20.6	3.8	17.0	WAP000140	WRM055078
15.0	21.6	3.8	18.0	WAP000150	WRM059082
16.0	22.6	3.8	19.0	WAP000160	WRM062087
17.0	23.6	3.8	20.0	WAP000170	WRM066094
18.0	24.6	3.8	21.0	WAP000180	WRM070094
19.0	28.6	5.3	22.0	WAP000190	WRM074110
20.0	28.6	5.3	23.0	WAP000200	WRM078110
22.0	30.6	5.3	25.0	WAP000220	WRM086118
24.0	32.6	5.3	27.0	WAP000240	WRM094125
25.0	31.6	5.3	28.0	WAP100250	WRM098122/S
25.0	33.6	5.3	28.0	WAP000250	WRM098129
26.0	34.6	5.3	29.0	WAP000260	WRM102133



Rod Diameter	Groove Diameter	Groove Width	Bore Diameter	TSS Part No.	Description
$d_N$ f8/h9	$D_3$ H9	$L_3$ +0.2	$D_4$ +0.2		
27.0	35.6	5.3	30.0	WAP000270	WRM106137
28.0	36.6	5.3	31.0	WAP000280	WRM110141
30.0	38.6	5.3	33.0	WAP000300	WRM118149
31.0	41.0	6.0	34.0	WAP000310	WRM4544907
32.0	40.6	5.3	35.0	WAP000320	WRM125157
33.0	41.6	5.3	36.0	WAP000330	WRM129161
35.0	43.6	5.3	38.0	WAP000350	WRM137169
36.0	44.6	5.3	39.0	WAP000360	WRM141173
38.0	46.6	5.3	41.0	WAP000380	WRM149181
40.0	48.6	5.3	43.0	WAP000400	WRM157188
42.0	50.6	5.3	45.0	WAP000420	WRM165196
45.0	53.6	5.3	48.0	WAP000450	WRM177208
45.0	55.6	5.3	49.0	WAP100450	WRM177216
46.0	54.6	5.3	49.0	WAP000460	WRM181212
48.0	56.6	5.3	51.0	WAP000480	WRM188220
49.0	57.6	5.3	52.0	WAP000490	WRM193225
50.0	58.6	5.3	53.0	WAP000500	WRM196228
50.0*	60.6	5.3	54.0	WAP100500	WRM196236
50.8	60.9	5.8	55.5	WAP000508	WRM200237
53.0*	61.6	5.3	56.0	WAP000530	WRM208240
55.0*	63.6	5.3	58.0	WAP000550	WRM216248
55.0	65.6	5.3	59.0	WAP100550	WRM216255
60.0	68.6	5.3	63.0	WAP000600	WRM236267
63.0*	71.6	5.3	66.0	WAP000630	WRM248279
63.0	73.6	5.3	67.0	WAP100630	WRM248287
65.0	73.6	5.3	68.0	WAP000650	WRM255287
65.0	75.6	5.3	69.0	WAP100650	WRM255295
70.0*	76.0	4.3	72.0	WAP000700	WRM275299
70.0	78.6	5.3	73.0	WAP100700	WRM275307
70.0	80.6	5.3	72.0	WAP200700	WRM275314
70.0	82.6	7.1	76.0	WAP300700	WRM275322
72.0	80.6	5.3	75.0	WAP000720	WRM283317
73.0	81.6	5.3	76.0	WAP000730	WRM287318
75.0	83.6	5.3	78.0	WAP000750	WRM295326
75.0	87.2	7.1	81.0	WAP100750	WRM295345
76.5	88.7	7.1	82.5	WAP000765	WRM301348
78.0	92.2	7.1	85.0	WAP000780	WRM307362
80.0	88.6	5.3	83.0	WAP000800	WRM314346
80.0	92.6	7.1	86.0	WAP100800	WRM314362
83.0	91.6	5.3	86.0	WAP000830	WRM326358
84.0	92.0	5.3	87.0	WAP000840	WRM330362
85.0	93.6	5.3	88.0	WAP000850	WRM334366



Rod Diameter	Groove Diameter	Groove Width	Bore Diameter	TSS Part No.	Description
$d_N$ f8/h9	$D_3$ H9	$L_3$ +0.2	$D_4$ +0.2		
85.0	97.2	7.1	91.0	WAP100850	WRM334381
88.0	100.2	7.1	94.0	WAP000880	WRM346393
90.0	102.2	7.1	96.0	WAP000900	WRM354401
95.0	107.2	7.1	101.0	WAP000950	WRM374421
97.0	111.0	7.1	104.0	WAP000970	WRM380437
100.0	112.2	7.1	106.0	WAP001000	WRM393440
101.0	111.0	5.3	105.0	WAP001010	WRM397437
103.0	115.2	7.1	109.0	WAP001030	WRM405452
104.0	116.2	7.1	110.0	WAP001040	WRM409457
105.0	117.2	7.1	111.0	WAP001050	WRM413460
110.0	122.2	7.1	116.0	WAP001100	WRM433480
115.0	127.2	7.1	121.0	WAP001150	WRM452500
116.0	128.2	7.1	121.0	WAP001160	WRM456504
116.0	130.2	7.1	123.0	WAP101160	WRM456511
118.0*	130.2	7.1	124.0	WAP001180	WRM464511
120.0	128.6	5.3	123.0	WAP001200	WRM472504
120.0	132.2	7.1	126.0	WAP101200	WRM472519
121.0*	131.0	5.3	125.0	WAP001210	WRM476515
125.0	137.2	7.1	131.0	WAP001250	WRM492539
127.0	135.6	5.3	132.0	WAP001270	WRM500531
127.0	139.2	7.1	133.0	WAP101270	WRM500550
130.0	142.2	7.1	136.0	WAP001300	WRM511559
135.0	147.2	7.1	141.0	WAP001350	WRM531578
135.0	149.2	7.1	142.0	WAP101350	WRM531582
140.0	152.2	7.1	146.0	WAP001400	WRM551598
140.0	155.2	10.1	147.0	WAP101400	WRM551610
145.0	157.2	7.1	151.0	WAP001450	WRM570618
146.0*	158.0	6.3	152.0	WAP001460	WRM575622/1
146.05	158.25	7.1	152.05	WAP001461	WRM575622
150.0*	162.2	7.1	156.0	WAP001500	WRM590637
155.0	169.2	7.1	162.0	WAP001550	WRM610664
160.0	168.6	5.3	163.0	WAP001600	WRM629661
160.0	175.2	10.1	168.0	WAP101600	WRM629688
165.0	173.6	5.3	168.0	WAP001650	WRM649681
165.0	177.2	7.1	171.0	WAP101650	WRM649698
170.0	180.6	5.3	174.0	WAP001700	WRM669708
170.0	185.2	10.1	178.0	WAP101700	WRM669728
171.0	183.0	6.3	176.0	WAP001710	WRM673720
175.0	189.2	7.1	182.0	WAP001750	WRM688744
180.0	195.2	10.1	188.0	WAP001800	WRM708767
187.0*	195.6	5.3	190.0	WAP001870	WRM736768
196.0	210.2	7.1	203.0	WAP001960	WRM771826



Rod Diameter	Groove Diameter	Groove Width	Bore Diameter	TSS Part No.	Description
$d_N$ f8/h9	$D_3$ H9	$L_3$ +0.2	$D_4$ +0.2		
197.0	219.0	6.3	202.0	<a href="#">WAP001970</a>	WRM775823
200.0	215.2	10.1	207.0	<a href="#">WAP002000</a>	WRM787847
210.0	224.2	7.1	217.0	<a href="#">WAP002100</a>	WRM826883
210.0	225.0	7.0	217.0	<a href="#">WAP102100</a>	WRM826885
219.5	233.7	7.1	226.5	<a href="#">WAP002195</a>	WRM860919
223.0	235.0	6.3	228.0	<a href="#">WAP002230</a>	WRM878925
244.5	258.7	7.1	251.5	<a href="#">WAP002445</a>	WRM9621017
249.0	261.0	6.3	254.0	<a href="#">WAP002490</a>	WRM9801027
260.0	275.2	10.1	268.0	<a href="#">WAP002600</a>	WRM10241078

\* Available upon request

---

! This page is intentionally left blank.

# Zurcon® Scraper ASW



---

Single-acting

---

**Material:**  
Zurcon®

---



---

! This page is intentionally left blank.



## ■ Zurcon® Scraper ASW

### ■ Description

The scraper ASW is a single-acting polyurethane scraper.

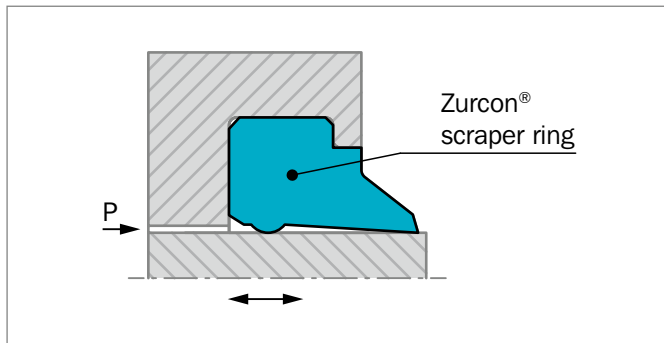


Figure 195: Scraper ASW

The special feature of this scraper is an additional supporting bead on the inner surface. It prevents tilting or twisting of the scraper in the groove. At the same time this support improves the firm seating in the groove, thus preventing the penetration of impurities via the back of the scraper. This represents a technical improvement compared with similar scraper types.

### ADVANTAGES

- Simple groove design
- Very good scraping effect, wear resistant
- No tilting or twisting in the groove
- Simple installation
- Flush fitting with the outer surface

### OPERATING CONDITIONS

<b>Speed:</b>	Up to 1 m/s
<b>Temperature:</b>	-35 °C to +100 °C
<b>Media:</b>	Mineral oil-based hydraulic fluids

### IMPORTANT NOTE

The above data are maximum values and cannot be used at the same time, e.g. the maximum operating speed depends on material type, pressure, temperature and gap value. Temperature range also depends on media.

### MATERIAL

The standard material is a wear resistant Zurcon® polyurethane.

Standard material: Polyurethane, 92 Shore A  
Material No. Z201

Color: Turquoise





## ■ Installation Recommendation

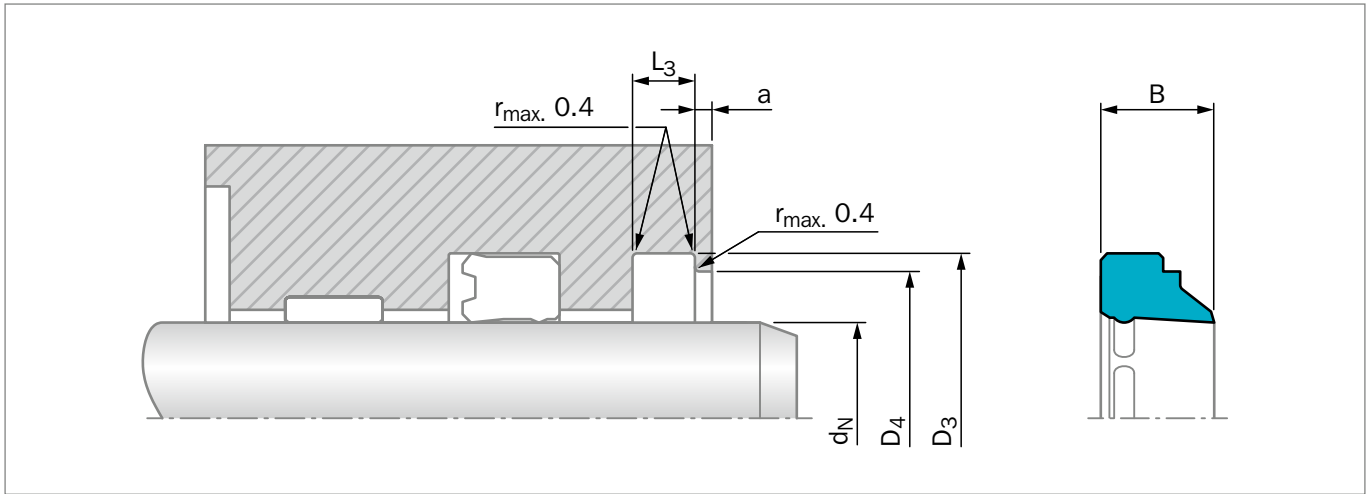


Figure 196: Installation Drawing

### ORDERING EXAMPLE

Scraper ASW

**Rod Diameter:**  $d_N = 50.0$  mm

**TSS Part No.:** WSW000500 from Table 174

**Material:** Z201

**TSS Article No.** **WSW0 0 0500 - Z201**

TSS Series No. ————

Type (Standard) ————

Rod Diameter x 10 ————

Quality Index (Standard) ————

Material Code ————

**Table 174: Installation Dimensions / TSS Part No.**

Rod Diameter	Groove Diameter	Groove Width	Bore Diameter	Step Width	Width	TSS Part No.
$d_N$ f8/h9	$D_3$ H9	$L_3$ +0.2	$D_4$ H11	$a$ min	$B$	
6.0	10.0	2.0	9.0	1.0	4.0	WSW000060
8.0	14.0	2.6	12.0	1.0	5.0	WSW000080
10.0	16.0	2.6	14.0	1.0	5.0	WSW000100
12.0	18.0	2.6	16.0	1.0	5.0	WSW000120
14.0	20.0	2.6	18.0	1.0	5.0	WSW000140
14.0	22.0	4.0	20.0	1.0	7.0	WSW100140
15.0	23.0	4.0	21.0	1.0	7.0	WSW000150
16.0	24.0	4.0	22.0	1.0	7.0	WSW000160
18.0	26.0	4.0	24.0	1.0	7.0	WSW000180
20.0	26.0	2.6	24.0	1.0	5.0	WSW100200
20.0	28.0	4.0	26.0	1.0	7.0	WSW000200
22.0	30.0	4.0	28.0	1.0	7.0	WSW000220



Rod Diameter	Groove Diameter	Groove Width	Bore Diameter	Step Width	Width	TSS Part No.
$d_N$ f8/h9	$D_3$ H9	$L_3$ +0.2	$D_4$ H11	$a$ min	$B$	
24.0	32.0	4.0	30.0	1.0	7.0	WSW000240
<b>25.0</b>	<b>33.0</b>	<b>4.0</b>	<b>31.0</b>	<b>1.0</b>	<b>7.0</b>	<b>WSW000250</b>
<b>28.0</b>	<b>36.0</b>	<b>4.0</b>	<b>34.0</b>	<b>1.0</b>	<b>7.0</b>	<b>WSW000280</b>
30.0	38.0	4.0	36.0	1.0	7.0	WSW000300
<b>32.0</b>	<b>40.0</b>	<b>4.0</b>	<b>38.0</b>	<b>1.0</b>	<b>7.0</b>	<b>WSW000320</b>
34.0	42.0	4.0	40.0	1.0	7.0	WSW000340
35.0	43.0	4.0	41.0	1.0	7.0	WSW000350
<b>36.0</b>	<b>44.0</b>	<b>4.0</b>	<b>42.0</b>	<b>1.0</b>	<b>7.0</b>	<b>WSW000360</b>
38.0	46.0	4.0	44.0	1.0	7.0	WSW000380
<b>40.0</b>	<b>48.0</b>	<b>4.0</b>	<b>46.0</b>	<b>1.0</b>	<b>7.0</b>	<b>WSW000400</b>
42.0	50.0	4.0	48.0	1.0	7.0	WSW000420
<b>45.0</b>	<b>53.0</b>	<b>4.0</b>	<b>51.0</b>	<b>1.0</b>	<b>7.0</b>	<b>WSW000450</b>
<b>50.0</b>	<b>58.0</b>	<b>4.0</b>	<b>56.0</b>	<b>1.0</b>	<b>7.0</b>	<b>WSW000500</b>
52.0	60.0	4.0	58.0	1.0	7.0	WSW000520
55.0	63.0	4.0	61.0	1.0	7.0	WSW000550
<b>56.0</b>	<b>64.0</b>	<b>4.0</b>	<b>62.0</b>	<b>1.0</b>	<b>7.0</b>	<b>WSW000560</b>
60.0	68.0	4.0	66.0	1.0	7.0	WSW000600
<b>63.0</b>	<b>71.0</b>	<b>4.0</b>	<b>69.0</b>	<b>1.0</b>	<b>7.0</b>	<b>WSW000630</b>
65.0	73.0	4.0	71.0	1.0	7.0	WSW000650
<b>70.0</b>	<b>78.0</b>	<b>4.0</b>	<b>76.0</b>	<b>1.0</b>	<b>7.0</b>	<b>WSW000700</b>
75.0	83.0	4.0	81.0	1.0	7.0	WSW000750
<b>80.0</b>	<b>88.0</b>	<b>4.0</b>	<b>86.0</b>	<b>1.0</b>	<b>7.0</b>	<b>WSW000800</b>
85.0	93.0	4.0	91.0	1.0	7.0	WSW000850
<b>90.0</b>	<b>98.0</b>	<b>4.0</b>	<b>96.0</b>	<b>1.0</b>	<b>7.0</b>	<b>WSW000900</b>
<b>100.0</b>	<b>108.0</b>	<b>4.0</b>	<b>106.0</b>	<b>1.0</b>	<b>7.0</b>	<b>WSW001000</b>
105.0	113.0	4.0	111.0	1.0	7.0	WSW001050
<b>110.0</b>	<b>122.0</b>	<b>5.5</b>	<b>119.0</b>	<b>1.5</b>	<b>10.0</b>	<b>WSW001100</b>
120.0	132.0	5.5	129.0	1.5	10.0	WSW001200
<b>125.0</b>	<b>137.0</b>	<b>5.5</b>	<b>134.0</b>	<b>1.5</b>	<b>10.0</b>	<b>WSW001250</b>
<b>140.0</b>	<b>152.0</b>	<b>5.5</b>	<b>149.0</b>	<b>1.5</b>	<b>10.0</b>	<b>WSW001400</b>
150.0	162.0	5.5	159.0	1.5	10.0	WSW001500
<b>160.0</b>	<b>172.0</b>	<b>5.5</b>	<b>169.0</b>	<b>1.5</b>	<b>10.0</b>	<b>WSW001600</b>

The rod diameters in **bold** type comply with the recommendations of ISO 3320.  
Other dimensions on request.

A split groove is required up to 14 mm diameter.

---

! This page is intentionally left blank.

# Zurcon® Scraper WNV



---

Double-acting

---

**Material:**  
Zurcon®

---



---

! This page is intentionally left blank.



## Zurcon® Scraper WNV



### Description

WNV is a double acting scraper in material Zurcon® polyurethane Z 201. The dynamic scraping lip is specially designed with an additional inwards sealing edge to keep the residual oil film in the system. If the volume of this oil film can not be backpumped by the main rod seal (e.g. u.cup) a pressure built up between u-cup and scraper will be prevented by releasing this pressure by lifting of the scraper lip.

The static sealing lip and edge respectively ensure against the intrusion of dirt and fluids (e.g. water) over the outer diameter of the scraper. The support on the reverse side of the scraper prevents it from twisting in the groove.

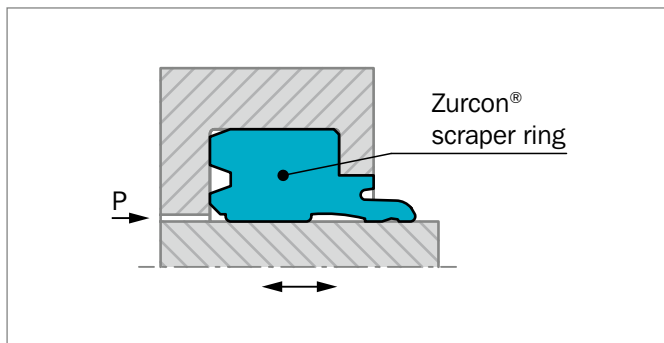


Figure 197: Scraper WNV

### ADVANTAGES

- Double acting
- Pressure release function
- Good static sealing performance due to additional seal lip at the housing
- Stable position of scraper in the housing
- Support bead with notches to support release function
- Housings in accordance to ISO 6195 type A

### APPLICATION EXAMPLES

- Mobile hydraulic machinery
- ISO-standard cylinders application
- Agriculture machinery
- Lift trucks
- Cargo tailboards
- Steering cylinders

### OPERATING CONDITIONS

<b>Speed:</b>	Up to 1 m/s
<b>Temperature:</b>	-35 °C to +100 °C
<b>Media:</b>	Mineral oil based hydraulic fluids
<b>Groove Type:</b>	Closed

### IMPORTANT NOTE

The above data are maximum values and cannot be used at the same time, e.g. the maximum operating speed depends on material type, pressure, temperature and gap value. Temperature range also depends on media.

### MATERIALS

Standard application:

Zurcon® Polyurethane: 92 Shore A

Material code: Z201

Color: Turquoise



## ■ Installation Recommendation

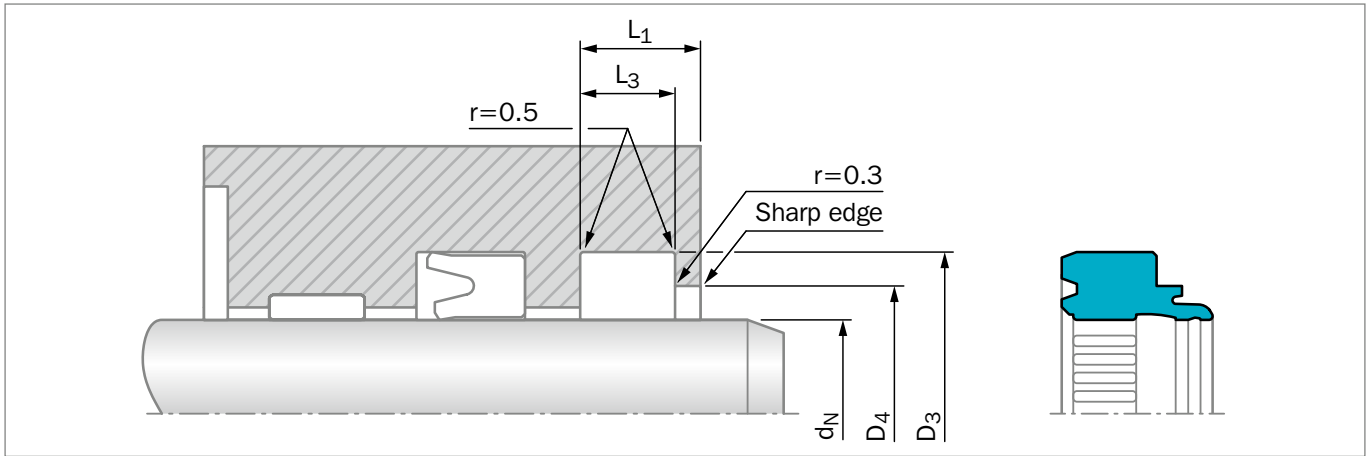


Figure 198: Installation Drawing

### ORDERING EXAMPLE

<b>Rod Diameter:</b>	$d_N = 45.0$ mm
<b>Groove Diameter:</b>	$D_3 = 53.0$ mm
<b>TSS Part No.:</b>	WNV000450 from Table 175
<b>Material Code:</b>	Z201

<b>TSS Article No.</b>	<b>WNV0 0 0450 - Z201</b>
TSS Series No.	WNV0
Type (Standard)	0
Rod Diameter x 10	0450
Quality Index (Standard)	-
Material Code	Z201

**Table 175: Installation Dimensions / TSS Part No.**

Rod Diameter	Groove Diameter	Bore Diameter	Groove Width	Depth	TSS Part No.
$d_N$	$D_3$	$D_4$	$L_3$	$L_1$	
h9	H8	H8	+0.2	+0.2	
16	24	21.5	5.0	7.0	WNV000160
18	26	23.5	5.0	7.0	WNV000180
20	28	25.5	5.0	7.0	WNV000200
25	33	30.5	5.0	7.0	WNV000250
30	38	35.5	5.0	7.0	WNV000300
32	40	37.5	5.0	7.0	WNV000320
35	43	40.5	5.0	7.0	WNV000350
40	48	45.5	5.0	7.0	WNV000400
45	53	50.5	5.0	7.0	WNV000450
50	58	55.5	5.0	7.0	WNV000500
60	68	65.5	5.0	7.0	WNV100600
70	80	77	6.3	8.3	WNV000700
80	90	87	6.3	8.3	WNV000800
100	115	110	9.5	12	WNV001000

# Scraper WSA



---

Single-acting

---

With Metal Case

---

For open Groove Assembly

**Material:**

NBR and Metal

---





---

! This page is intentionally left blank.



## ■ Scraper WSA



### ■ Description

The scraper WSA is a mold-vulcanised single-acting elastomer scraper, with integral metal reinforcement for open groove assembly. In conjunction with the scraper oversize, an exact fit is obtained in the housing.

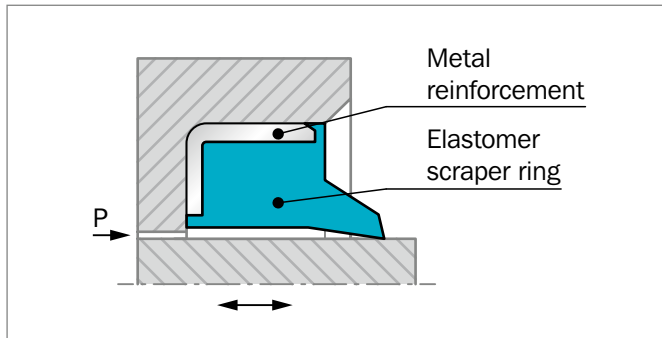


Figure 199: Scraper WSA

### ADVANTAGES

- Space-saving construction
- Low cost, economical solution
- Simple, easy-construction groove
- Firm fit in the groove due to metallic press fit

### APPLICATION EXAMPLES

- Hydraulic cylinders
- Agriculture machinery
- Construction machinery
- Lift trucks
- Mobile hydraulic

### OPERATING CONDITIONS

<b>Speed:</b>	Up to 1 m/s
<b>Temperature:</b>	-30 °C to +110 °C
<b>Media:</b>	Mineral oil based hydraulic fluids. polyglycol-water emulsions, water-oil emulsions
<b>Groove Type:</b>	Open

### IMPORTANT NOTE

The above data are maximum values and cannot be used at the same time, e.g. the maximum operating speed depends on material type, pressure, temperature and gap value. Temperature range also depends on media.

### MATERIALS

Standard application:

Material: NBR 90 Shore A + Metal

TSS code: N9MN



## ■ Installation Recommendation

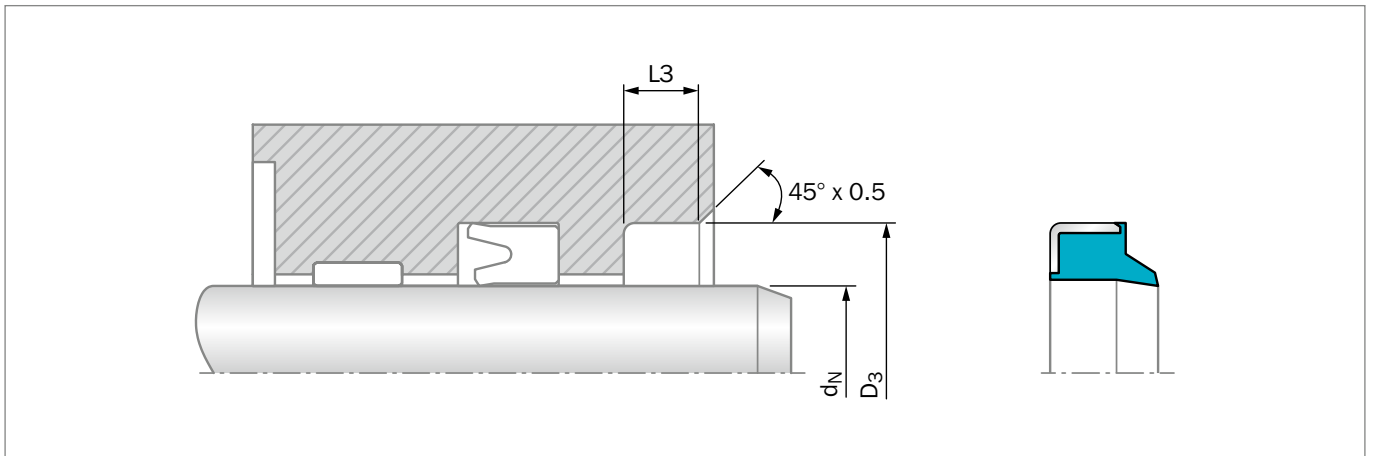


Figure 200: Installation Drawing

### ORDERING EXAMPLE

<b>Rod Diameter:</b>	$d_N = 35 \text{ mm}$
<b>Groove Diameter:</b>	$D_3 = 45 \text{ mm}$
<b>TSS Part No.:</b>	WSA000350 from Table 176
<b>Material Set-Code:</b>	N9MN

<b>TSS Article No.</b>	<b>WSA0 0 0350 - N9MN</b>
TSS Series No.	WSA0
Type (Standard)	0
Rod Diameter x 10	0350
Quality Index (Standard)	-
Material Set-Code	N9MN

**Table 176: Installation Dimensions / TSS Part No.**

Rod Diameter	Groove Diameter	Groove Width	TSS Part No.
$d_N$ h9	$D_3$ H8	$L_3$ +0.2	
6.0	13.0	3.0	WSA000060
8.0	15.0	3.0	WSA000080
10.0	16.0	3.0	WSA000100
<b>10.0</b>	<b>18.0</b>	<b>5.0</b>	<b>WSA100100</b>
12.0	18.0	5.0	WSA200120
12.0	20.0	4.0	WSA000120
12.0	22.0	5.0	WSA100120
13.0	18.0	3.0	WSA000130
14.0	20.0	4.0	WSA100140
14.0	22.0	3.0	WSA000140
16.0	22.0	4.0	WSA000160
16.0	26.0	5.0	WSA200160
16.0	28.0	5.0	WSA300160
18.0	26.0	5.0	WSA000180



Rod Diameter	Groove Diameter	Groove Width	TSS Part No.
$d_N$ h9	$D_3$ H8	$L_3$ +0.2	
18.0	28.0	5.0	WSA300180
<b>18.0</b>	<b>28.0</b>	<b>7.0</b>	<b>WSA100180</b>
20.0	26.0	4.0	WSA000200
20.0	28.0	3.5	WSA200200
20.0	28.0	5.0	WSA300200
20.0	30.0	4.0	WSA400200
20.0	30.0	5.0	WSA500200
<b>20.0</b>	<b>30.0</b>	<b>7.0</b>	<b>WSA600200</b>
22.0	28.0	5.0	WSA000220
22.0	32.0	5.0	WSA200220
<b>22.0</b>	<b>32.0</b>	<b>7.0</b>	<b>WSA100220</b>
24.0	35.0	5.0	WSA000240
25.0	36.5	5.0	WSA200250
25.0	35.0	5.0	WSA000250
<b>25.0</b>	<b>35.0</b>	<b>7.0</b>	<b>WSA100250</b>
28.0	38.0	5.0	WSA000280
28.0	40.0	7.0	WSA100280
30.0	40.0	5.0	WSA000300
30.0	40.0	7.0	WSA100300
30.0	45.0	5.0	WSA200300
32.0	42.0	5.0	WSA000320
32.0	42.0	7.0	WSA400320
32.0	44.0	4.0	WSA300320
32.0	45.0	4.0	WSA100320
32.0	45.0	7.0	WSA200320
35.0	45.0	7.0	WSA000350
36.0	45.0	7.0	WSA000360
38.0	48.0	7.0	WSA000380
40.0	50.0	5.0	WSA100400
40.0	50.0	5.0	WSA000400
<b>40.0</b>	<b>50.0</b>	<b>7.0</b>	<b>WSA200400</b>
42.0	52.0	7.0	WSA000420
45.0	55.0	5.0	WSA100450
<b>45.0</b>	<b>55.0</b>	<b>7.0</b>	<b>WSA000450</b>
50.0	56.0	5.0	WSA000500
50.0	60.0	5.0	WSA200500
50.0	60.0	5.0	WSA500500
<b>50.0</b>	<b>60.0</b>	<b>7.0</b>	<b>WSA300500</b>
50.0	65.0	7.0	WSA400500
52.0	62.0	7.0	WSA000520
55.0	63.0	7.0	WSA000550
55.0	65.0	5.0	WSA200550



Rod Diameter	Groove Diameter	Groove Width	TSS Part No.
$d_N$ h9	$D_3$ H8	$L_3$ +0.2	
55.0	65.0	7.0	WSA100550
55.0	70.0	7.0	WSA300550
<b>56.0</b>	<b>66.0</b>	<b>7.0</b>	<b>WSA000560</b>
60.0	70.0	5.0	WSA200600
60.0	70.0	7.0	WSA000600
60.0	74.0	5.0	WSA100600
63.0	75.0	7.0	WSA000630
65.0	75.0	5.0	WSA100650
65.0	75.0	7.0	WSA000650
70.0	80.0	5.0	WSA100700
<b>70.0</b>	<b>80.0</b>	<b>7.0</b>	<b>WSA000700</b>
75.0	83.0	7.0	WSA100750
75.0	85.0	7.0	WSA000750
80.0	88.0	7.0	WSA100800
<b>80.0</b>	<b>90.0</b>	<b>7.0</b>	<b>WSA000800</b>
85.0	95.0	7.0	WSA000850
<b>90.0</b>	<b>100.0</b>	<b>7.0</b>	<b>WSA000900</b>
95.0	105.0	7.0	WSA000950
100.0	110.0	7.0	WSA001000
105.0	115.0	7.0	WSA001050
110.0	120.0	7.0	WSA001100
115.0	125.0	7.0	WSA001150
120.0	130.0	7.0	WSA001200
120.0	135.0	7.0	WSA101200
<b>125.0</b>	<b>140.0</b>	<b>9.0</b>	<b>WSA001250</b>
130.0	145.0	9.0	WSA001300
135.0	145.0	7.0	WSA001350
<b>140.0</b>	<b>155.0</b>	<b>9.0</b>	<b>WSA001400</b>
140.0	160.0	10.0	WSA101400
150.0	165.0	9.0	WSA001500
<b>160.0</b>	<b>175.0</b>	<b>9.0</b>	<b>WSA001600</b>
170.0	185.0	10.0	WSA001700
175.0	190.0	9.0	WSA001750
180.0	195.0	10.0	WSA001800
200.0	220.0	12.0	WSA002000
220.0	235.0	10.0	WSA002200
270.0	295.0	12.0	WSA002700

The sizes in **bold** type comply with ISO 6195, installation groove Type B. Other sizes on request.  
The listed products are technically equivalent but availability and pricing may vary.

# Zurcon® Scraper SWP



---

Single-acting

---

Metal Reinforcement

---

For open Groove Assembly

**Material:**

Zurcon® + Metal

---



---

! This page is intentionally left blank.



## Zurcon® Scraper SWP



### Description

SWP are polyurethane manufactured lipped wipers with integrated metal reinforcement for open groove assembly. These are typically used in severe applications where there is abrasion due to solid matter on rod surface.

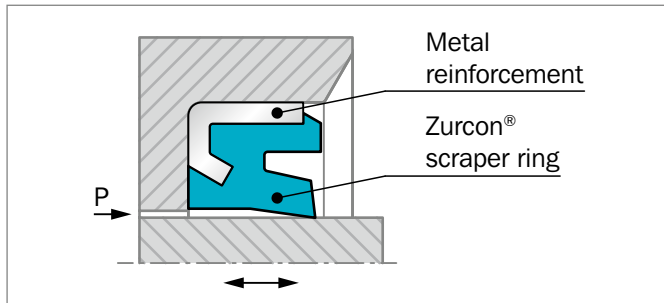


Figure 201: Scraper SWP

### ADVANTAGES

- Space-saving construction
- Simple small installation groove
- Firm fit in the groove due to metallic press fit
- At regreasing of drag bearing, the scraper lip opens at low overpressure; old grease can escape
- High wear resistance

### APPLICATION EXAMPLES

Due to their outstanding wiping capacities SWP scrapers are recommended wherever there are dusty and humid conditions and especially for the following applications:

- Mobile hydraulic machinery
- Construction machinery
- Link pin seals
- Lift trucks
- Truck cargo cranes
- Agriculture machinery

### OPERATING CONDITIONS

<b>Speed:</b>	Up to 1 m/s
<b>Temperature:</b>	-35 °C to +100 °C
<b>Media:</b>	Mineral oil based hydraulic fluids
<b>Groove Type:</b>	Open

### IMPORTANT NOTE

The above data are maximum values and cannot be used at the same time, e.g. the maximum operating speed depends on material type, pressure, temperature and gap value. Temperature range also depends on media.

### MATERIALS

Standard application

Zurcon® Polyurethane:	92 Shore A
Color:	Turquoise
Metal case:	non alloyed steel DIN 1624
Material Set-Code:	Z2022





## ■ Installation Recommendation

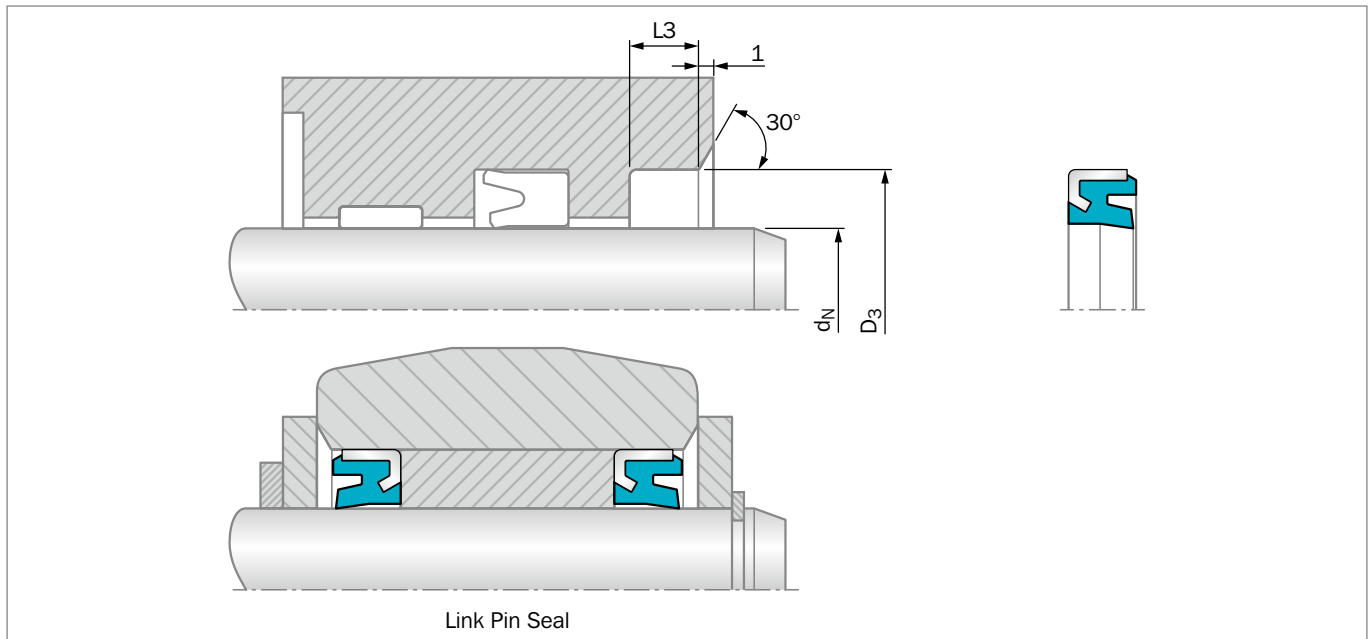


Figure 202: Installation Drawing

### ORDERING EXAMPLE

<b>Rod Diameter:</b>	$d_N = 40 \text{ mm}$
<b>Groove Diameter:</b>	$D_3 = 50 \text{ mm}$
<b>TSS Part No.:</b>	WSP000400 from Table 177
<b>Material Set-Code:</b>	Z2022 (standard)
<b>Polypac Ref.:</b>	SWP 4050

<b>TSS Article No.</b>	<b>WSP0 0 0400 - Z2022</b>
TSS Series No.	WSP0
Type (Standard)	0
Rod Diameter x 10	0400
Quality Index (Standard)	Z2022
Material Set-Code	Z2022

**Table 177: Installation Dimensions / TSS Part Numbers**

Rod Diameter	Groove Diameter	Groove Width	TSS Part No.	Description
$d_N$ h9	$D_3$ H8	L3 +0.2		
25.0	38.0	7.5	WSP000250	SWP2538
30.0	40.0	4.0	WSP000300	*SWP3040
35.0	50.0	7.5	WSP100350	SWP3550
36.0	48.0	6.0	WSP000360	SWP3648
40.0	50.0	4.0	WSP000400	*SWP4050
40.0	52.0	6.0	WSP100400	SWP4052
45.0	55.0	3.2	WSP000450	*SWP4555/1
45.0	55.0	4.0	WSP100450	*SWP4555
45.0	60.0	7.5	WSP200450	SWP4560



Rod Diameter	Groove Diameter	Groove Width	TSS Part No.	Description
$d_N$ h9	$D_3$ H8	$L_3$ +0.2		
50.0	60.0	4.0	WSP000500	*SWP5060
50.0	63.0	4.0	WSP100500	*SWP5063
50.0	65.0	7.5	WSP200500	SWP5065
55.0	65.0	3.2	WSP000550	*SWP5565
55.0	68.0	4.0	WSP100550	*SWP5568
56.0	70.0	7.5	WSP000560	SWP5670
60.0	75.0	4.0	WSP000600	*SWP6075/1
60.0	75.0	7.5	WSP100600	SWP6075
63.0	78.0	7.5	WSP000630	SWP6378
65.0	80.0	5.0	WSP000650	*SWP6580/1
65.0	80.0	7.5	WSP100650	SWP6580
70.0	80.0	5.0	WSP000700	*SWP7080
70.0	84.0	8.0	WSP100700	SWP7084
70.0	85.0	4.0	WSP200700	SWP7085/1
70.0	85.0	7.5	WSP300700	SWP7085
75.0	90.0	7.5	WSP000750	SWP7590
75.0	95.0	10.0	WSP100750	SWP7595
80.0	95.0	5.0	WSP000800	*SWP8095/1
80.0	95.0	7.5	WSP100800	SWP8095
80.0	100.0	10.0	WSP200800	SWP80100
85.0	100.0	4.0	WSP000850	*SWP85100/1
85.0	100.0	10.0	WSP100850	SWP85100
85.0	105.0	10.0	WSP200850	SWP85105
90.0	104.0	8.0	WSP000900	SWP90104
90.0	105.0	6.0	WSP100900	*SWP90105
90.0	110.0	10.0	WSP200900	SWP90110
95.0	115.0	10.0	WSP000950	SWP95115
99.0	115.0	7.5	WSP000990	SWP99115
100.0	115.0	4.0	WSP001000	*SWP100115/2
100.0	115.0	7.5	WSP201000	SWP100115
100.0	120.0	10.0	WSP301000	SWP100120
110.0	125.0	4.0	WSP001100	SWP110125/1
110.0	125.0	9.0	WSP101100	SWP110125
110.0	130.0	10.0	WSP201100	SWP110130
115.0	130.0	9.0	WSP101150	SWP115130/1
120.0	140.0	10.0	WSP001200	SWP120140
130.0	145.0	7.5	WSP001300	SWP130145
160.0	175.0	10.0	WSP001600	SWP160175
190.0	210.0	10.0	WSP001900	SWP190210

\* Can be used for "Link Pin Seal"

---

! This page is intentionally left blank.

# Metal Scraper



---

Single-acting

---

Metal and Elastomer Scrapers Lips

---

**Material:**

NBR, Metal and Brass

---



---

! This page is intentionally left blank.



## ■ Metal Scraper



### ■ Description

The metal scraper is a single-acting special scraper with two different scraper lips - a thin metallic lip and an elastomer lip. The two scraper lips are arranged in tandem behind one another in a compact metal housing.

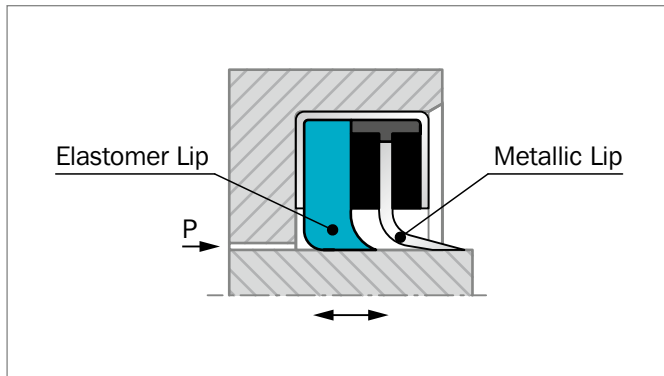


Figure 203: Metal Scraper

The metal scraper lip is designed to remove firmly adhering soiling and ice particles. The secondary lip of elastomer material enhances the overall scraping effect, i.e. fine sand grains, water and similar foreign matter are reliably scraped off. Both scraper lips have a smaller diameter than the nominal diameter of the piston rod, thus ensuring a tight fit of the scraper lips. The metallic lip is guided flexibly in radial direction and can easily follow any possible deflections of the piston rod.

### ADVANTAGES

- Very good scraping effect, even with firmly adhering dirt, e.g. mud, ice
- Very abrasion resistant
- Tight fit in the groove due to the metal case
- Easy installation in open grooves

### OPERATING CONDITIONS

<b>Speed:</b>	Max. 1 m/s with reciprocating movements
<b>Temperature:</b>	-30 °C to +110 °C
<b>Media:</b>	Mineral oil-based hydraulic fluids, flame retardant hydraulic fluids (HFA, HFB, HFC), water, air, etc.

### IMPORTANT NOTE

The above data are maximum values and cannot be used at the same time, e.g. the maximum operating speed depends on material type, pressure, temperature and gap value. Temperature range also depends on media.

### MATERIALS

Inner scraper lip:	Acrylonitrile butadiene rubber, NBR 70 Shore A Code N7
Metal housing:	Sheet metal 1.0204 (AISI 1008) or similar Code M
Outer scraper lip:	Brass Code S

Other materials for scraper lips and housing available on request. Also available in an imperial (inch) size range.



## ■ Installation Recommendation

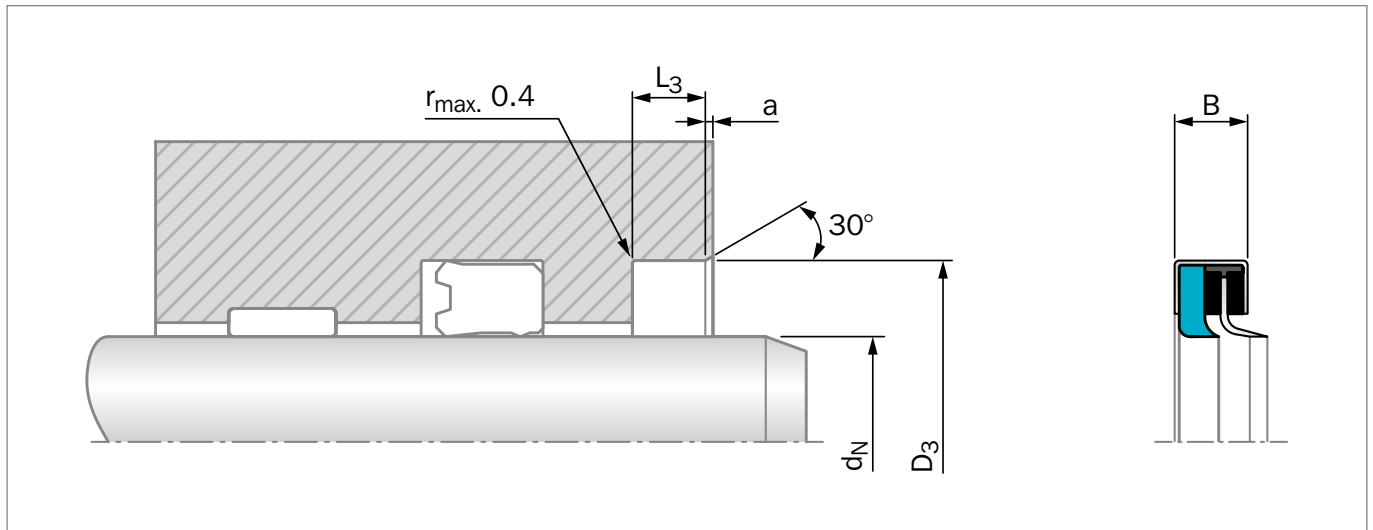


Figure 204: Installation Drawing

### ORDERING EXAMPLE

Metal Scraper

<b>Rod Diameter:</b>	$d_N = 80.00$ mm
<b>Groove Diameter:</b>	$D_3 = 96.00$ mm
<b>Groove Width:</b>	$L_3 = 8.50$ mm
<b>TSS Part No.:</b>	WM0100800 from Table 178
<b>Material:</b>	Standard materials Material code N7MS

<b>TSS Article No.</b>	<b>WM01</b>	<b>00800</b>	<b>-</b>	<b>N7</b>	<b>M</b>	<b>S</b>
TSS Series No.	_____	_____	_____	_____	_____	_____
Rod Diameter x 10	_____	_____	_____	_____	_____	_____
Quality index (Standard)	_____	_____	_____	_____	_____	_____
Material Code (Inner Scraper Lip)	_____	_____	_____	_____	_____	_____
Material Code (Housing)	_____	_____	_____	_____	_____	_____
Material Code (Outer Scraper Lip)	_____	_____	_____	_____	_____	_____



Table 178: Installation Dimensions / TSS Part Numbers

Rod Diameter	Groove Diameter	Groove Width	Chamfer	Width	TSS Part No.
$d_N$ f8/h9	$D_3$ H8	$L_3$ +0.2	$a$ min.	$B$	
<b>12.0</b>	<b>25.0</b>	<b>7.0</b>	<b>2.0</b>	<b>6.5</b>	<b>WM0000120</b>
<b>14.0</b>	<b>27.0</b>	<b>7.0</b>	<b>2.0</b>	<b>6.5</b>	<b>WM0000140</b>
15.0	28.0	7.0	2.0	6.5	WM0000150
<b>16.0</b>	<b>29.0</b>	<b>7.0</b>	<b>2.0</b>	<b>6.5</b>	<b>WM0000160</b>
<b>18.0</b>	<b>31.0</b>	<b>7.0</b>	<b>2.0</b>	<b>6.5</b>	<b>WM0000180</b>
<b>20.0</b>	<b>33.0</b>	<b>7.0</b>	<b>2.0</b>	<b>6.5</b>	<b>WM0000200</b>
<b>22.0</b>	<b>35.0</b>	<b>7.0</b>	<b>2.0</b>	<b>6.5</b>	<b>WM0000220</b>
<b>25.0</b>	<b>38.0</b>	<b>7.0</b>	<b>2.0</b>	<b>6.5</b>	<b>WM0000250</b>
<b>28.0</b>	<b>41.0</b>	<b>7.0</b>	<b>2.0</b>	<b>6.5</b>	<b>WM0000280</b>
30.0	43.0	7.5	2.0	7.0	WM0000300
<b>32.0</b>	<b>45.0</b>	<b>7.5</b>	<b>2.0</b>	<b>7.0</b>	<b>WM0000320</b>
35.0	48.0	7.5	2.0	7.0	WM0000350
<b>36.0</b>	<b>49.0</b>	<b>7.5</b>	<b>2.0</b>	<b>7.0</b>	<b>WM0000360</b>
38.0	51.0	7.5	2.0	7.0	WM0000380
<b>40.0</b>	<b>53.0</b>	<b>7.5</b>	<b>2.0</b>	<b>7.0</b>	<b>WM0200400</b>
<b>45.0</b>	<b>58.0</b>	<b>7.5</b>	<b>2.0</b>	<b>7.0</b>	<b>WM0000450</b>
<b>50.0</b>	<b>64.0</b>	<b>8.0</b>	<b>2.0</b>	<b>7.5</b>	<b>WM0000500</b>
55.0	69.0	8.0	2.0	7.5	WM0000550
58.0	72.0	8.0	2.0	7.5	WM0000580
60.0	74.0	8.0	2.0	7.5	WM0000600
<b>63.0</b>	<b>77.0</b>	<b>8.0</b>	<b>2.0</b>	<b>7.5</b>	<b>WM0000630</b>
65.0	79.0	8.0	2.0	7.5	WM0000650
<b>70.0</b>	<b>84.0</b>	<b>8.0</b>	<b>2.0</b>	<b>7.5</b>	<b>WM0000700</b>
75.0	89.0	8.0	2.0	7.5	WM0000750
<b>80.0</b>	<b>96.0</b>	<b>8.5</b>	<b>2.0</b>	<b>8.0</b>	<b>WM0100800</b>
85.0	101.0	8.5	2.0	8.0	WM0000850
<b>90.0</b>	<b>106.0</b>	<b>8.5</b>	<b>2.0</b>	<b>8.0</b>	<b>WM0000900</b>
95.0	111.0	8.5	2.0	8.0	WM0000950
<b>100.0</b>	<b>120.0</b>	<b>9.0</b>	<b>3.0</b>	<b>8.5</b>	<b>WM0001000</b>
<b>110.0</b>	<b>130.0</b>	<b>9.0</b>	<b>3.0</b>	<b>8.5</b>	<b>WM0001100</b>
120.0	140.0	9.0	3.0	8.5	WM0001200
130.0	150.0	9.0	3.0	8.5	WM0001300
<b>140.0</b>	<b>160.0</b>	<b>9.0</b>	<b>3.0</b>	<b>8.5</b>	<b>WM0001400</b>
150.0	170.0	9.0	3.0	8.5	WM0101500
<b>160.0</b>	<b>180.0</b>	<b>9.0</b>	<b>3.0</b>	<b>8.5</b>	<b>WM0001600</b>
170.0	190.0	9.0	3.0	8.5	WM0001700
<b>180.0</b>	<b>200.0</b>	<b>12.0</b>	<b>3.0</b>	<b>10.0</b>	<b>WM0001800</b>
<b>200.0</b>	<b>230.0</b>	<b>12.0</b>	<b>3.0</b>	<b>10.0</b>	<b>WM0102000</b>
210.0	230.0	12.0	3.0	10.0	WM0002100
<b>220.0</b>	<b>250.0</b>	<b>12.0</b>	<b>3.0</b>	<b>10.0</b>	<b>WM0002200</b>

The rod diameters in **bold** type comply with the recommendations of ISO 3320.

Other sizes on request.

Inch sizes can be supplied.



---

! This page is intentionally left blank.

# Turcon® Variseal® M2S



---

Single-acting

---

Spring-energized plastic U-Cup

---

**Material:**

Turcon® and Zurcon®

---



---

! This page is intentionally left blank.



## Turcon® Variseal® M2S



### Description

Turcon® Variseal® M2S is a single-acting seal consisting of a U-shaped jacket and a V-shaped corrosion resistant spring. Variseal® M2S has an asymmetric seal profile. The dynamic lip is optimized, offering long service life and a good scraping ability even in media with high viscosity.

Unlike other scrapers the Variseal® M2S offers a functional combination of scraper and seal in one.

The spring cavity can be filled with high temperature HiClean silicone to prevent contamination blocking the cavity.

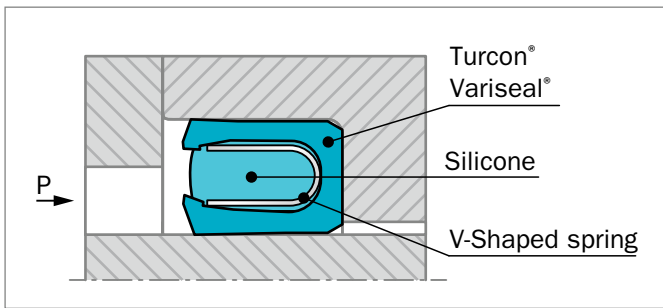


Figure 205: Turcon® Variseal® M2S

### AREAS OF APPLICATION

- Marine environments, able to scrape marine growth
- Subsea environments with high temperature application
- High speed hydraulics in dirty environments
- High temperature applications
- Low temperature and cryogenic applications
- Chemical plant where the lack of any elastomer is a benefit
- Food & Pharmaceutical application where the HiClean version has minimal entrapment areas and is resistant to many CIP/SIP fluids

### ADVANTAGES

- Suitable for reciprocating and light duty rotary movement
- Excellent scraping ability
- Combined scraping and sealing function
- High abrasion resistance
- Turcon has resistance to most fluids and chemicals
- Excellent resistance to aging
- Available for diameters from 3 to 3,200 mm
- Dimensionally stable
- Outstanding sliding and stick-slip properties

### OPERATING CONDITIONS

<b>Pressure:</b>	Maximum dynamic load:	20 MPa
	Maximum static load:	40 MPa (207 MPa with customs designs)
<b>Speed:</b>	Reciprocating	up to 15 m/s in T40 up to 2 m/s in Z80
	Rotating	up to 1.27 m/s in T40
<b>Temperature:</b>		-50 °C to +260 °C in T40
		-45 °C to +260 °C in T40 with HiClean
		-50 °C to +80 °C in Z80
		-196 °C custom design option available
<b>Media:</b>	Fluids of medium to high viscosity or containing hard particles	

### IMPORTANT NOTE

The above data are maximum values and cannot be used at the same time. e.g. the maximum operating speed depends on material type, pressure, temperature and gap value. Temperature range also depends on media.



## MATERIALS

All materials used are physiologically safe. They contain no odour or taste-affecting substances.

The following material combination has proved effective for most fluid applications:

Seal ring: Turcon® T40

Spring: Stainless steel, Material No. AISI 301  
Material code S

For gas applications use:

Seal ring: Zurcon® Z80

For use in accordance with the demands of the Food and Drug Administration, suitable materials are available on request.

**Table 179: Turcon® and Zurcon® Materials for Variseal® M2S**

Material Code Material Description	Operating Temperature* °C	Mating Surface Material	MPa max.
<b>Turcon® T40</b> High-grade formulation of virgin polytetrafluoroethylene (PTFE) based material compounded with carbon fiber additive. Excellent wear and low friction characteristics. Suited to reciprocating and rotary applications. Suitable for use in media with poor lubricating properties and for dry-running situations. Color: Black / gray	-60 to +300	Steel, hardened Steel, chromeplated	40
<b>Zurcon® Z80</b> UHMW Polyethylene. Excellent wear and abrasion resistance. Very good lubricity in water based media. Color: Translucent white	-253 to +80	Steel Steel, chromeplated Stainless steel Aluminum Bronze Ceramic coating	40

## SPRING MATERIALS

The standard spring material for Turcon® Variseal® is stainless steel (spring code S). Two further materials are available for the specific applications, as detailed in the table below.

**Table 180: Spring Material**

Media	Spring Materials	Spring Order Code
<b>For General use e.g.</b> Oil Grease Air Water, steam Solvents Food, drugs Gas	<b>Stainless steel</b> DIN Mat No. 1.4310/1.4319 AISI 301/302 UNS 30100	S (Standard spring material)
<b>For use in corrosive media e.g.</b> Acids Caustics Seawater	<b>Hastelloy® C-276</b> DIN Mat No. 2.4819 UNS N10276	H
<b>For petrochemical use e.g.</b> Crude oil Sour gas	<b>Elgiloy® 1)</b> DIN Mat No. 2.4711 UNSR30003	E

Hastelloy® is a registered trademark of Haynes International, Inc.

Elgiloy® is a registered trademark of the Elgiloy Specialty Metals.

Alternative brand may be used.

1) NACE-approval



## Groove Design

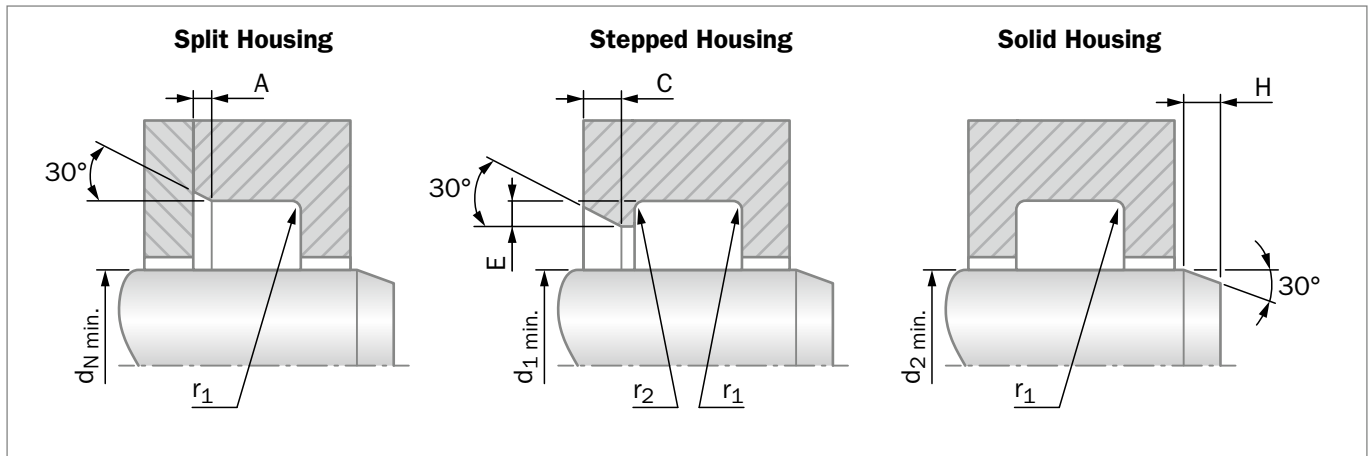


Figure 206: Variseal Groove Configurations

Installation lead-in chamfers and steps to include blend radii and are to be polished.

**Table 181: Dimensions for Groove Designs**

Series	Rod Groove Dimensions					
	A Chamfer	r <sub>1</sub> Maximum Radius	C Minimum Chamfer	r <sub>2</sub> Maximum Radius	E Minimum Step Height	H Minimum Chamfer
000	0.25 / 0.38	0.25	0.70	0.13	0.40	1.20
100	0.38 / 0.51	0.38	1.10	0.13	0.60	1.50
200	0.38 / 0.51	0.38	1.25	0.18	0.70	2.50
300	0.51 / 0.69	0.38	1.40	0.25	0.80	4.50
400	0.51 / 0.69	0.51	1.60	0.25	0.90	6.00
500	0.76 / 1.02	0.51	2.60	0.38	1.50	11.00

**Table 182: Groove Design for Rod**

Series	Rod Diameter Recommendations		
	Split Groove Ø d <sub>N</sub> Minimum	Stepped Groove Ø d <sub>1</sub> Minimum	Solid Groove Ø d <sub>2</sub> Minimum
000	3.00	20.00	31.75
100	6.00	30.00	69.85
200	10.00	35.00	111.13
300	20.00	40.00	298.45
400	35.00	45.00	495.30
500	80.00	80.00	762.00



## Installation Recommendation

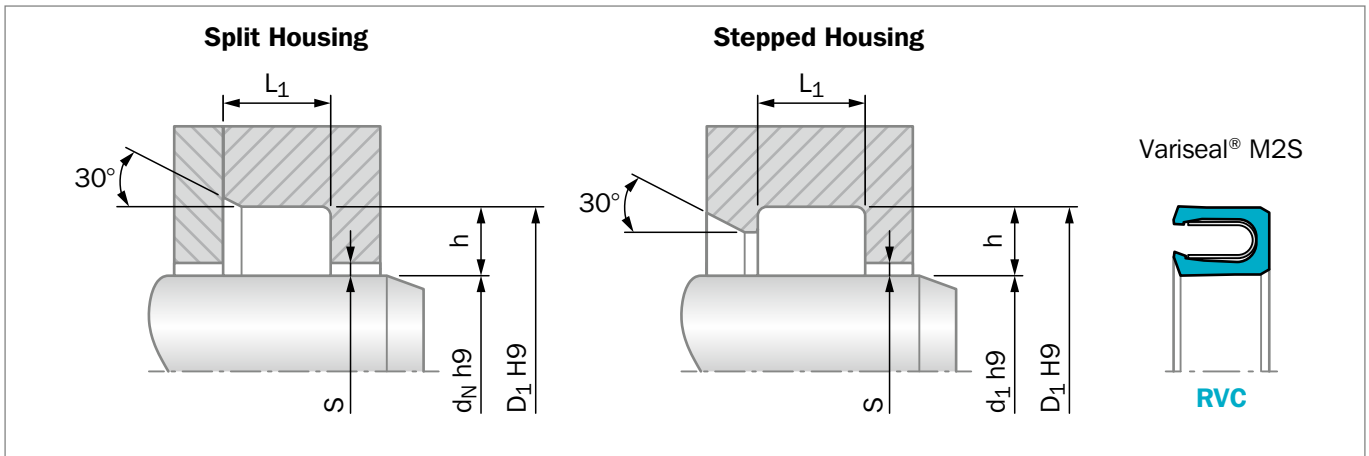


Figure 207: Installation Drawing

Table 183: Installation Dimensions

Series No.	Rod Diameter $d_N / d_1$ h9		Groove Depth $h$	Groove Diameter $D_1$ H9	Groove Width $L_1$ +0.2	Radial Clearance $S_{max.}$			
	Standard Range	Extended Range				2 MPa	10 MPa	20 MPa	40 MPa
RVC0	3 - 9.9	3 - 40	1.45	$d_N / d_1 + 2.9$	2.4	0.20	0.10	0.08	0.05
RVC1	10 - 19.9	6 - 200	2.25	$d_N / d_1 + 4.5$	3.6	0.25	0.15	0.10	0.07
RVC2	20 - 39.9	10 - 400	3.10	$d_N / d_1 + 6.2$	4.8	0.35	0.20	0.15	0.08
RVC3	40 - 119.9	20 - 700	4.70	$d_N / d_1 + 9.4$	7.1	0.50	0.25	0.20	0.10
RVC4	120 - 999.9	35 - 1,600	6.10	$d_N / d_1 + 12.2$	9.5	0.60	0.30	0.25	0.12
RVC5	1,000 - 2,500	80 - 2,500	9.50	$d_N / d_1 + 19.0$	15.0	0.90	0.50	0.40	0.20

### ORDERING EXAMPLE

Turcon® Variseal® M2S, recommended range:

<b>Series:</b>	RVC3 from Table 183
<b>Rod Diameter:</b>	$D_N = 80.0$ mm
<b>TSS Part No.:</b>	RVC300800 from Table 184
<b>Spring Material:</b>	Stainless steel from Table 180
<b>Spring Load:</b>	Medium

For other seal and spring materials please contact the Trelleborg Sealing Solutions representative.

**TSS Article No. RVC3 0 0800 - T40 S M**

TSS Series No.	RVC3
Type (Standard)	0
Rod Diameter x 10*	0800
Quality Index (Standard)	-
Material Code (Seal Ring)	T40
Material Code (Spring)	S
Spring Load (Medium)	M

\* For diameters  $\geq 1,000.0$  mm multiply only by factor 1.

Example: RVC5 for diameter 1,200.0 mm

TSS Article No.: RVC5**X1200** - T40SM



**Table 184: Installation Dimensions / TSS Part No.**

$d_N$	$D_1$	TSS Part No.	$d_N$	$D_1$	TSS Part No.	$d_N$	$D_1$	TSS Part No.
3.0	5.9	RVC0_0030	35.0	41.2	RVC2_0350	<b>90.0</b>	<b>99.4</b>	<b>RVC3_0900</b>
4.0	6.9	RVC0_0040	<b>36.0</b>	<b>42.2</b>	<b>RVC2_0360</b>	95.0	104.4	RVC3_0950
5.0	7.9	RVC0_0050	<b>40.0</b>	<b>49.4</b>	<b>RVC3_0400</b>	<b>100.0</b>	<b>109.4</b>	<b>RVC3_1000</b>
6.0	8.9	RVC0_0060	42.0	51.4	RVC3_0420	105.0	114.4	RVC3_1050
8.0	10.9	RVC0_0080	<b>45.0</b>	<b>54.4</b>	<b>RVC3_0450</b>	<b>110.0</b>	<b>119.4</b>	<b>RVC3_1100</b>
10.0	14.5	RVC1_0100	48.0	57.4	RVC3_0480	115.0	124.4	RVC3_1150
12.0	16.5	RVC1_0120	<b>50.0</b>	<b>59.4</b>	<b>RVC3_0500</b>	120.0	132.2	RVC4_1200
14.0	18.5	RVC1_0140	52.0	61.4	RVC3_0520	<b>125.0</b>	<b>137.2</b>	<b>RVC4_1250</b>
15.0	19.5	RVC1_0150	55.0	64.4	RVC3_0550	130.0	142.2	RVC4_1300
16.0	20.5	RVC1_0160	<b>56.0</b>	<b>65.4</b>	<b>RVC3_0560</b>	135.0	147.2	RVC4_1350
18.0	22.5	RVC1_0180	60.0	69.4	RVC3_0600	<b>140.0</b>	<b>152.2</b>	<b>RVC4_1400</b>
20.0	26.2	RVC2_0200	<b>63.0</b>	<b>72.4</b>	<b>RVC3_0630</b>			
22.0	28.2	RVC2_0220	65.0	74.4	RVC3_0650			
25.0	31.2	RVC2_0250	<b>70.0</b>	<b>79.4</b>	<b>RVC3_0700</b>			
28.0	34.2	RVC2_0280	75.0	84.4	RVC3_0750			
30.0	36.2	RVC2_0300	<b>80.0</b>	<b>89.4</b>	<b>RVC3_0800</b>			
32.0	38.2	RVC2_0320	85.0	94.4	RVC3_0850			

Rod diameters in **bold** type correspond to the recommendations of ISO 3320.

For additional size and part number details please contact your local Customer Solution Center.

# Additional Scrapers



---

Available upon Request

---

Old Series

---

Special Series

---



---

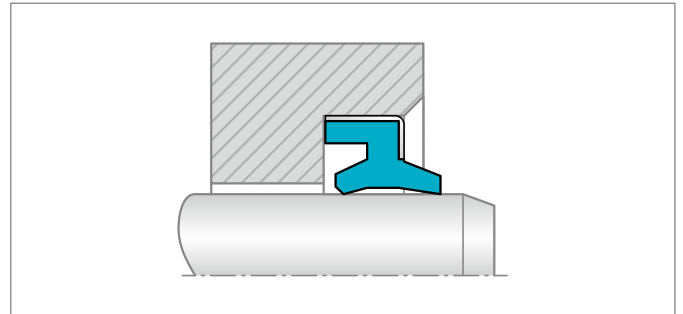
! This page is intentionally left blank.



### POLYPAC® UWR/PC

The UWR/PC is double-acting polyurethane wiper with integrated metal reinforcement for open groove assembly. The double lip guarantees a reliable scraper effect in one side and the sealing function of the oil film on the other.

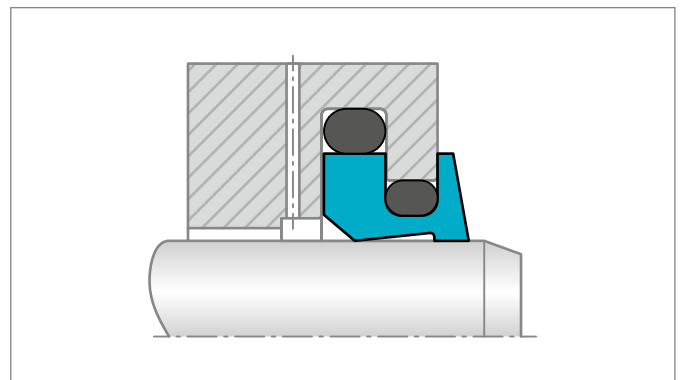
Diameter Range mm	Pressure Range MPa	Temperature Range °C	Velocity m/s
35 - 150	-	-35 to +100	Up to 0.5



### TURCON® EXCLUDER® G

A double-acting scraper with two different scraper lips which are positioned back-to-back. The scraper is installed with two O-Rings as elastic energizing elements. It is used in medium to heavy-duty applications where a gap between the rod and the gland in front of the Excluder® is not wanted. Standard TSS Part Numbers are available (WEG).

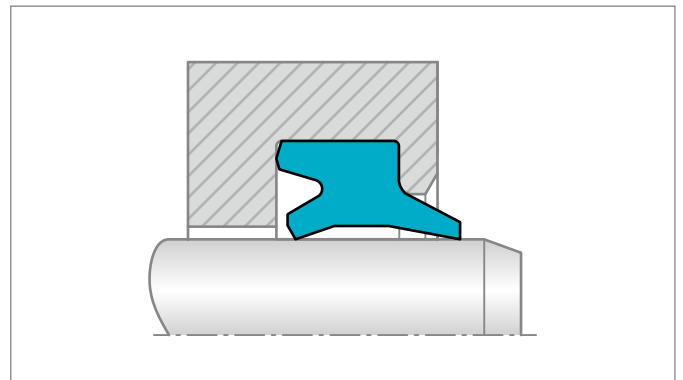
Diameter Range mm	Pressure Range MPa	Temperature Range °C	Velocity m/s
100 - 999	-	-45 to +200	Up to 5



### SCRAPER DA27

The scraper DA27 is a moulded double-acting elastomer scraper. It has two geometrically different scraper lips. The scraper is preferably used for reciprocating piston rods and plunger pistons in large hydraulic cylinders. It prevents the penetration of dirt into the system and on the medium side holds back the residual oil film from the extending piston rod.

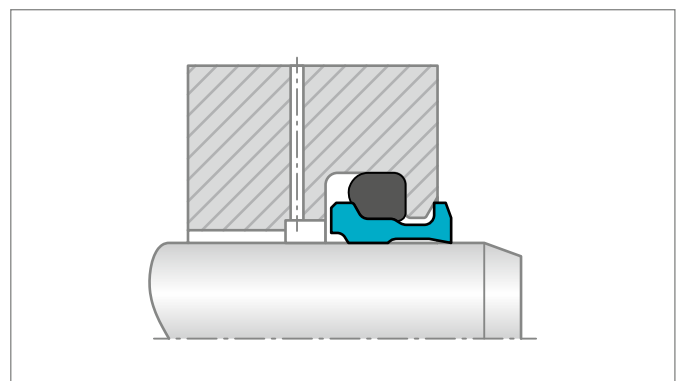
Diameter Range mm	Pressure Range MPa	Temperature Range °C	Velocity m/s
400 - 1,300	-	-30 to +100	Up to 1



### SHIELD EXCLUDER

A double-acting scraper with optional pressure relief function, which is axially and radially pre-tensioned by an elastic O-Ring. Special features include a pre-stressed scraper shield, a second scraper edge and almost constant contact pressure even at large deflections. Used for medium- to heavy-duty applications in dirty environments.

Diameter Range mm	Pressure Range MPa	Temperature Range °C	Velocity m/s
30 - 300	-	-45 to +200	Up to 2



---

! This page is intentionally left blank.



---

! This page is intentionally left blank.



## Contents

---

<b>566</b>	<b>Choice of Slydring®</b>
<b>569</b>	<b>Design Instructions</b>
<b>571</b>	<b>Turcite® Slydring® for Piston and Rod</b>
<b>574</b>	<b>Zurcon® Slydring® for Piston and Rod</b>
<b>583</b>	<b>HiMod® Slydring® for Piston and Rod</b>
<b>604</b>	<b>Orkot® Slydring® for Piston and Rod</b>

---





## ■ Choice of Slydring®

The function of Slydring® is to guide the piston and piston rod of a hydraulic cylinder by absorbing transverse forces between the sliding parts and preventing metallic contact. Non-metallic guide rings offer major benefits compared with traditional metallic guides:

- High load bearing capacity
- Eliminates local stress concentrations
- Wear-resistant, long service life
- Metal/plastic pairing eliminates fretting and seizure
- Low friction
- Damping of vibrations
- Good wiping effect, embedding of foreign particles possible
- Protection of the seal against dieseling effect
- Wide choice of material of the metal components as they are not used as guides
- Eliminates hydrodynamic pressure problems in the guide system
- Simple closed groove, easy installation
- Low service costs

## MATERIALS

In view of the different specific demands made on piston and rod guides, various Slydring® materials are available:

- Turcite® are highly wear-resistant, low friction, specially modified materials for low to medium duty with limited radial forces
- HiMod® materials with friction-reducing fillers for medium to heavy duty
- Orkot® fabric composite materials for heavy duty or high radial forces

In order to choose the most suitable Slydring®, it is first necessary to know all the required functional parameters. Table 185 is recommended for initial pre-selection of the Slydring® and the materials.

Piston and rod Slydring® are interchangeable if the difference in size is taken into consideration, e.g. piston Slydring®, diameter  $D_N$  100 x 2.5 mm thick can be used as rod Slydring®, diameter  $D_N$  95 x 2.5 mm thick.




## TOLERANCES

Depending on the material and dimensions of the Slydring®, the thickness tolerance is in the range from +0.00/-0.08 mm except for Turcite® Slydring® Article GP41 + GR41 and GP43 + GR43 where it is +0.02/-0.03 mm.

Contact your local Customer Solution Center for further information on specific applications and technical questions.



**Table 185: Selection Criteria for Slydring®**

Slydring®		Application				Standard*	Installation	Material		
Type	Page	Field of Application			Mating Surface	ISO	Size Range mm	Recommended Slydring® Material		
			Light	Medium					Heavy	
Turcite® Zurcon® Slydring® 	571	Mobile hydraulics	•			ISO 10766	Off-the-roll up to diameter 4,200	T47		
		Standard cylinders	•	•					Steel	
		Machine tools	•	•				Steel, hardchromed		
								Steel hardened		
				Cast iron						
		Valves	•	•				T51		
		Rotary manifolds	•	•						
		Gas equipment	•	•						
		Pneumatics	•	-						
		Wind Power	•	•				M12		
		Off-road vehicles	•	•						
		Injection molding machines	•	•						
		Automotive industry	•	•						
		Foodstuff industry	•	•				Z80/Z81 UHMWPE		
		Water hydraulics	•	•		ISO 10766	Off-the-roll up to diameter 4,200			
		Dry application	•	•						
		Pneumatics	•	•						
HiMod® Slydring® 	583	Mobile hydraulics	•	•		ISO 10766	Rings up to diameter 300	HM061 POM/ Glass fiber		
		Standard cylinders	•	•				Steel		
		Agricultural machinery	•	•				Steel, hardchromed		
								Cast iron		
		Mobile hydraulics	•	•	•			HM062 PA/ Glass fiber + PTFE		
		Standard cylinders	•	•						
		Agricultural machinery	•	•						
Orkot® Slydring® 	604	Mobile hydraulics	•	•	•	ISO 10766	Rings up to diameter 1,600/ off-the roll diameter > 10,000	C320 Polymer/fabric		
		Standard cylinders	•	•	•					
		Presses	•	•	•					
		Mobile hydraulics	•	•	•					C380 C480 Polymer/fabric
		Standard cylinders	•	•	•					
		Water hydraulics	•	•	•					
		Shipping and marine engineering	•	•	•					
Presses	•	•	•							
Mobile hydraulics	•	•	•				C932 Phenolic/ cotton			
Standard cylinders	•	•	•							
Presses	•	•	•							

\* For Slydring® to other standards, e.g. to French standard NF E 48-037, please contact your local Customer Solution Center.



## FORMS OF SUPPLY

Two characteristics must be observed:

### 1. Type of Cut

Figure 208 shows the commonly used angle cut. Rings with other types of cut are available on request. Design Code are shown in Table 187.

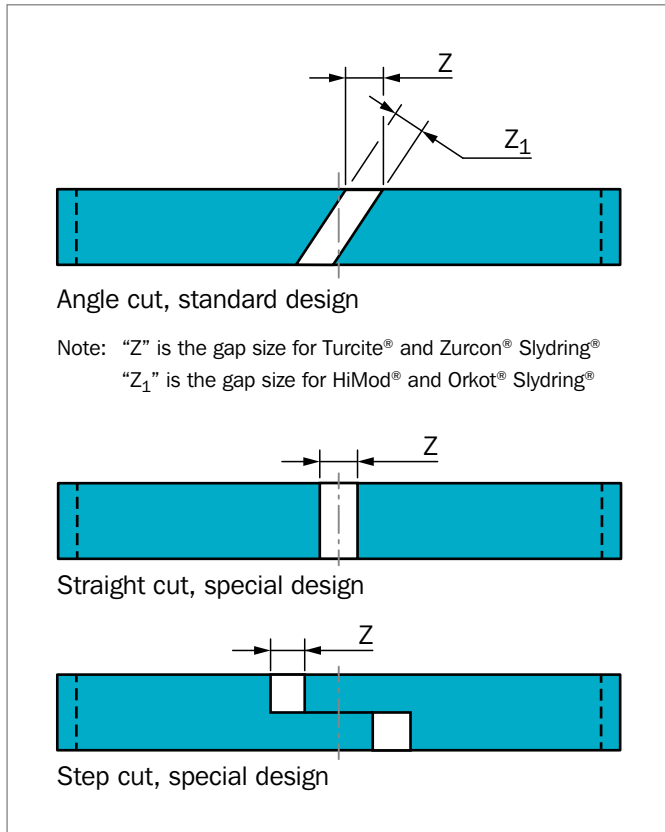


Figure 208: Type of cut

Table 187: Design Codes for Cut

Material	Turcite®		Zurcon®	HiMod®	Orkot®	
	T47 T51 M12		Z80	HM061 HM062	C380 C480 C320 C932	C380 C480 C320
Code for cut	Strip with teardrop structure*	Strip without teardrop structure	Strip without teardrop structure	Ring without teardrop structure	Ring without teardrop structure	Strip without teardrop structure
Angle cut	<b>0</b>	L	<b>0</b>	<b>0</b>	<b>0</b>	A
Straight cut	B	D	D	<b>D**</b>	H	D
Step cut	C	E	E	-	-	E

Design Code **0**, in bold types are the standard Slydring® versions. Teardrop structure: Detailed description can be found on page 571.

\* Standard for Turcite® Slydring®

\*\* HiMod® Wear Rings for non ISO groove dimensions have as standard a straight cut Code D.

### 2. Design Type

Slydring® has a rectangular cross-section with rounded or chamfered edges, thus preventing edge forces from becoming too high in the corner radii of the grooves. Chamfers also facilitate installation.

Slydring® is supplied with the gap necessary (dimension Z or Z<sub>1</sub>). The ring ends are finished as standard with an angle cut.

Depending on material, Slydring® is supplied as split rings or as strip material.

Strip material is available in rolls or precut to size as listed in Table 186.

Table 186: Forms of Supply for Slydring®

Material	Ring Diameter mm	Cut Strip for Diameter mm	Off-the-Roll
Turcite® T47/T51/M12	-	8 - 4,200	see Table 188
Zurcon® Z80/Z81	on request	30 - 4,200	on request
HiMod® HM061	up to 300	-	-
HiMod® HM062	up to 300	-	-
Orkot® C380/C480/C320	16 - 1,600	300 - > 10,000	see Table 224
Orkot® C932	16 - 500	-	-



## ■ Design Instructions

### CALCULATING BEARING LENGTH

A rough estimate of the number and width of the bearings required within an application can be calculated from the formula below:

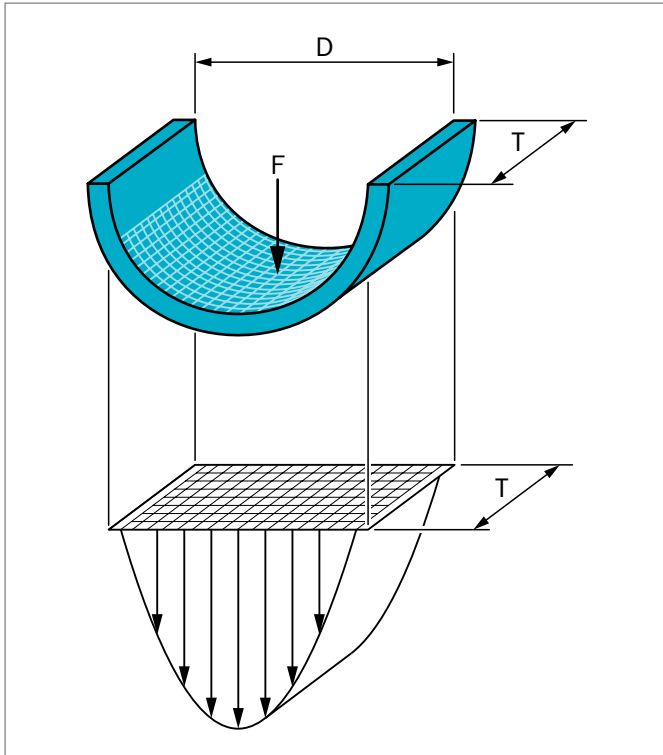


Figure 209: Load distribution

The large effective bearing area of non-metallic Slydring® provides low maximum contact pressure.

Radial forces can vary within wide ranges and cannot always be predicted. A safety factor of at least 2 is recommended when calculating:

$$T_{\min} = \frac{F \times f}{D \times Pr}$$

where:

F = Maximum radial load [N]

f = Safety factor

$d_N / D_N$  = Rod / Bore diameter [mm]

Pr = Radial Slydring® pressure [N/mm<sup>2</sup>]

$T_{\min}$  = Minimum Slydring® width [mm]

Example:

$d_N$  = 60 mm

F = 40,000 N

t = +40 °C

f = 2

Slydring® material Orkot® C 380 - see page 608.

Pr = 100 N/mm<sup>2</sup>

$$T_{\min} = \frac{40,000 \times 2}{60 \times 100} = 13.3 \text{ mm}$$

From Table 188, a groove with a width of 15 mm Series GR73 or 2 grooves with widths of 9.7 mm Series GR69 mm are selected. The installation of two strips is recommended as this gives a longer guide length.

Selected:

2 strips Series GR69 with groove width  $L_2 = 9.7$  mm, standard installation – see Figure 211.

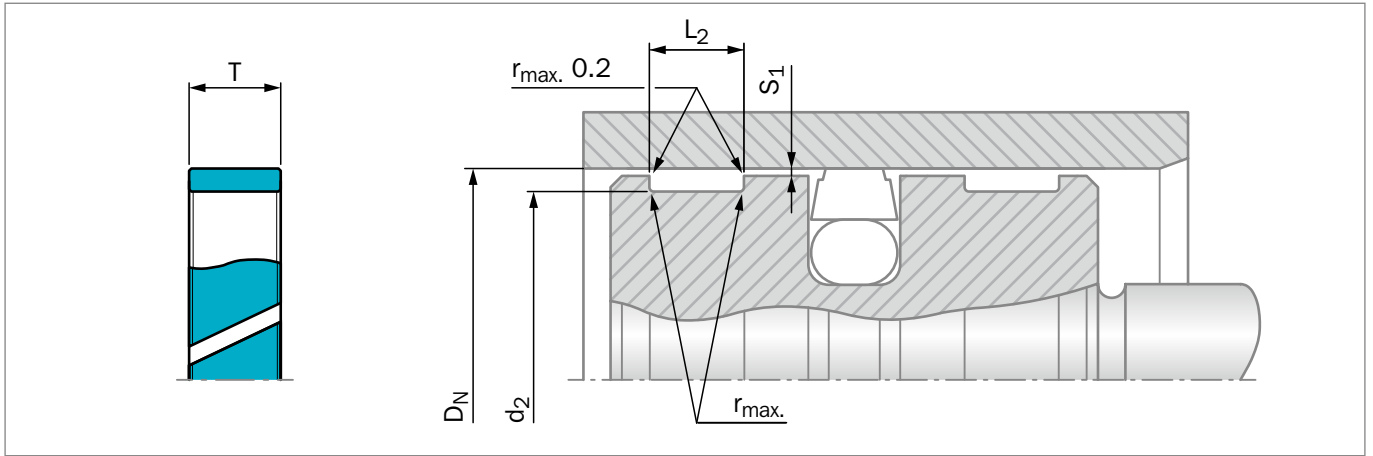


Figure 210: Piston guide

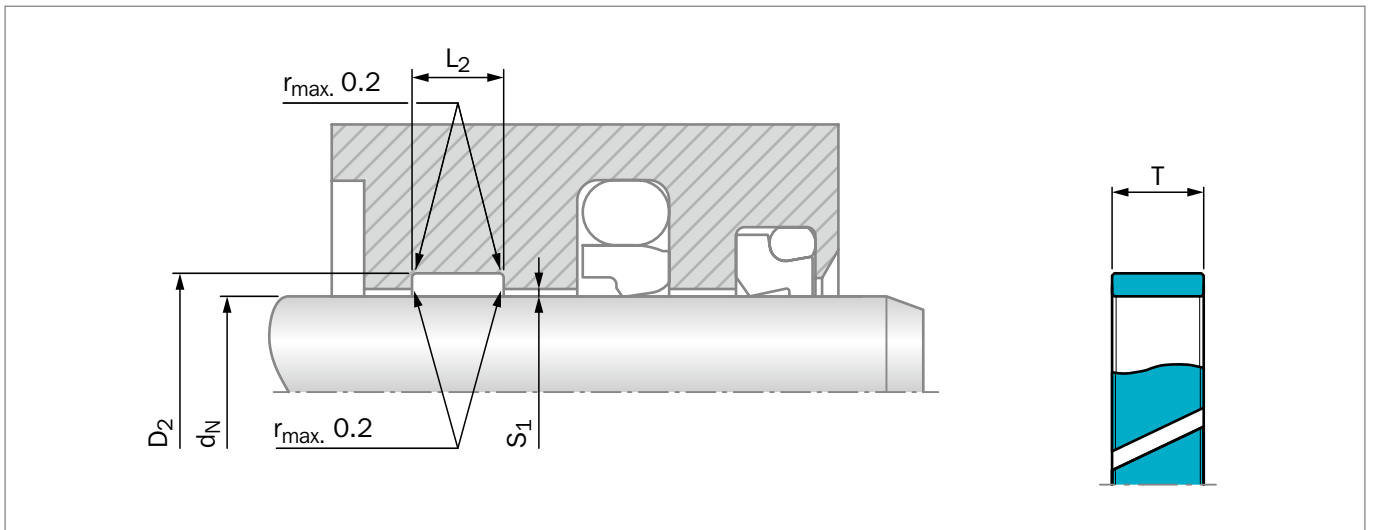


Figure 211: Rod guide

To improve the operational safety, particularly under high loads, the installation of a 3rd strip in material Turcite® M12 or T47 is recommended. It is installed on the oil side and serves, for example, as an internal scraper.

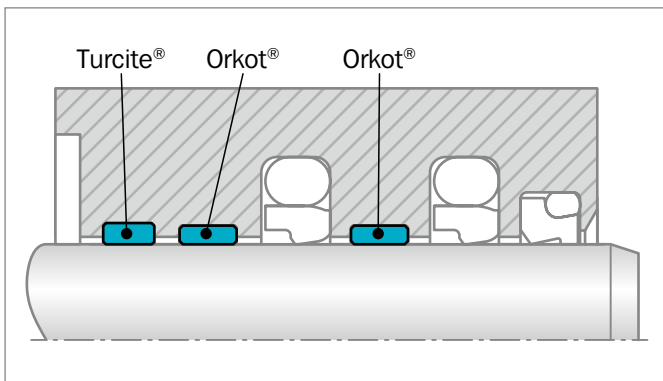


Figure 212: Rod guide for high loads (See also Figure 222 page 606)



## ■ Turcite® Slydring® for Piston and Rod

### DESCRIPTION

Turcite® Slydring® is used as piston and rod guides due to the outstanding friction behavior, stick-slip free running and good resistance to high temperatures and chemicals.

Slydring® is available off-the-roll cut to length. Sections cut to size ready for installation are available for piston and rod diameters according to Table 186.

Slydring® has a geometrically rectangular cross-section and is chamfered for easy installation into the grooves.

### TEARDROP STRUCTURE

Slydring® up to and including 4 mm radial thickness in Turcite® materials are as standard supplied with "teardrop" structure on the sliding surfaces. This structure comprises small lubricant pockets on the surface which improve the initial lubrication and promote the formation of a lubricant film. They also help to protect the seal system through their ability to embed any foreign particles. In order to be able to use the strip material for both piston and rod guides, the rings have the same teardrop structure on both sides.

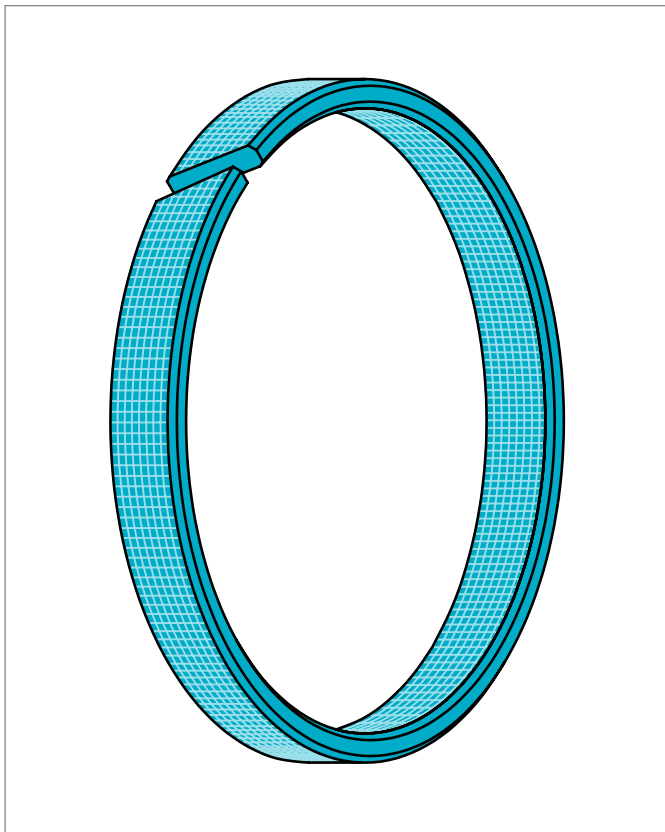


Figure 213: Turcite® Slydring® with teardrop structure structure and chamfered profile

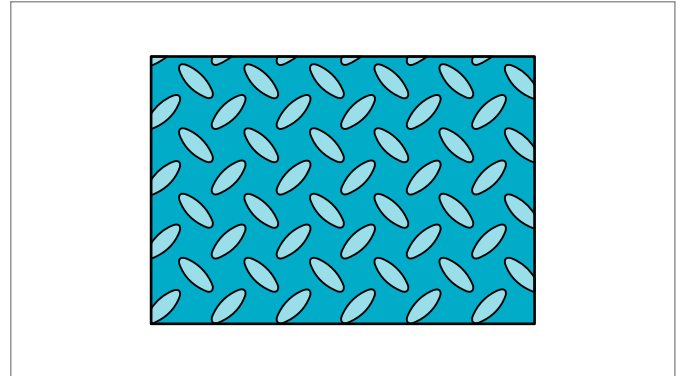


Figure 214: Teardrop structure for Turcite® Slydring®

Slydring® can also be delivered without teardrop structure. In this case, this must be indicated in the TSS Article No. (see Design Code for cut/type in Table 187).

### ADVANTAGES

- No stick-slip effect when starting for smooth operation even at very low speeds
- Minimum static and dynamic friction coefficient for low operating temperature and energy loss
- Outstanding lubrication conditions further improved by the Teardrop structure
- Suitable for non-lubricating fluids depending on Turcite® material for optimum design flexibility
- High wear resistance ensures long service life
- Installation grooves according to ISO 10766
- Suitable for most hydraulic fluids in relation with the majority of modern hardware materials and surface finish depending on material selected.
- Suitable for new environmentally friendly hydraulic fluids
- The embedding of foreign particles is enhanced
- Good damping effect, absorbs vibrations



## APPLICATION EXAMPLES

Turcite® Slydring® can be applied in demanding applications as a standard guiding element for hydraulic operated pistons, plus for piston rods with special requirements, in:

- Machine tools
- Injection molding machines
- Press brakes
- Presses
- Robotics and handling machinery
- Automation
- Positioning cylinders
- Servo hydraulics
- Piston accumulators
- Shock absorbers
- Valves for hydraulic and pneumatic circuits
- Agriculture
- Chemical and process industry

## OPERATING CONDITIONS

Turcite® Slydring® with angle cut is recommended for linear movements:

<b>Speed:</b>	Up to 15 m/s
<b>Temperature:</b>	-60 °C to +150 °C (+200 °C)
<b>Media:</b>	Mineral oil-based hydraulic fluids, flame retardant hydraulic fluids, environmentally friendly hydraulic fluids (bio-oils), phosphate ester, water, air and others, depending on the Turcite® material compatibility.
<b>Clearance:</b>	The maximum permissible radial clearance $S_{max}$ depends on the actual sealing system.
<b>Tolerance:</b>	Depending on the material and dimensions of Slydring®, the thickness tolerance is in the range from +0.00/-0.08 mm except for Turcite® Slydring® Article GP41 + GR41 and GP43 + GR43 where it is +0.02/-0.03 mm.
<b>Radial Slydring® Pressure:</b>	Max. 15 N/mm <sup>2</sup> at +25 °C Max. 12 N/mm <sup>2</sup> at +80 °C Max. 8 N/mm <sup>2</sup> at +120 °C

When calculating the width of Turcite® Slydring® it is recommended to use a safety factor  $f = 2$  - see page 569.

With Turcite® materials the allowed surface pressure decreases with increasing temperatures. The load bearing ability for dynamic applications depends primarily on the operating temperature, which should therefore generally not exceed +150 °C.

## IMPORTANT NOTE

The above stated limits for pressure and speed are maximum values individually. Friction heat generated by the combination of pressure and speed may cause local heat build-up. Care should be taken not to apply high values for pressure and speed at the same time.

## RECOMMENDED MATERIALS

The following materials have proven effective for hydraulic applications:

### Turcon® Slydring® in Turcite® M12

All round material for light to medium hydraulic applications with linear, short stroke or helical movements in mineral oils, flame retardant hydraulic fluids, bio-oils, phosphate ester and fluids having low lubricating properties. Low friction, high resistance to wear, heat and chemicals.

### Turcon® Slydring® in Turcite® T47

For light to medium hydraulic applications with linear movement in mineral oils or media with good lubricating performance.

### Turcon® Slydring® in Turcite® T51

For lubricated and poorly lubricated linear and slow rotary moving hydraulic and pneumatic components.



**Table 188: Serial Numbers for Turcite® Slydring® in M12, T47, T51**

Piston Serial No.	Rod Serial No.	Off-the-roll Serial No.*	Groove Width L <sub>2</sub>	Ring Thickness W
GP06	GR06	GM0600000-	6.00	1.00
GP22	GR22	GM2200000-	3.20	1.50
GP31	GR31	GM3100000-	10.00	1.50
GP41	GR41	GM4100000-	2.50	1.55
<b>GP43</b>	<b>GR43</b>	<b>GM4300000-</b>	<b>4.00</b>	<b>1.55</b>
GP49	GR49	GM4900000-	9.70	2.00
GP53	GR53	GM5300000-	15.00	2.00
GP64	GR64	GM6400000-	4.20	2.50
<b>GP65</b>	<b>GR65</b>	<b>GM6500000-</b>	<b>5.60</b>	<b>2.50</b>
GP67	GR67	GM6700000-	6.30	2.50
GP68	GR68	GM6800000-	8.10	2.50
<b>GP69</b>	<b>GR69</b>	<b>GM6900000-</b>	<b>9.70</b>	<b>2.50</b>
<b>GP73</b>	<b>GR73</b>	<b>GM7300000-</b>	<b>15.00</b>	<b>2.50</b>
GP74	GR74	GM7400000-	20.00	2.50
<b>GP75</b>	<b>GR75</b>	<b>GM7500000-</b>	<b>25.00</b>	<b>2.50</b>
GP76	GR76	GM7600000-	30.00	2.50
GP94	GR94	GM9400000-	20.00	3.00
<b>GP98</b>	<b>GR98</b>	<b>GM9800000-</b>	<b>25.00</b>	<b>4.00</b>
GP99	GR99	GM9900000-	9.70	4.00
GPN1	GRN1	GMN100000-	9.70	3.00
GPL2	GRL2	GML200000-	15.00	4.00
GPL3	GRL3	GML300000-	20.00	4.00
GPL5	GRL5	GML500000-	30.00	4.00

Further dimensions on request.

Dimensions in **bold** are suitable for installation in grooves to ISO 10766.

\* Off-the-roll material can be supplied as complete rolls. Length of rolls varies depending on thickness and material, please contact your local Customer Solution Center.

## TURCITE® FROM THE ROLL, CALCULATION OF THE LINEAR LENGTH

The linear length of Turcite® and Zurcon® Slydring® is calculated such that a gap "Z" is created at the ends of the strip after installation - Figure 210 and Figure 211, page 570. This is required for the following reasons:

- Compensation of the linear expansion of the strips due to the effects of temperature
- Avoidance of intermediate pressures and entrained pressures

When ordering strips off-the-roll for manufacturing of Turcite® and Zurcon® Slydring® in your own works, the length of the strip can be calculated using the following formulae:

### Piston Slydring® :

$$L = c \times (D_N - W) - k \text{ [mm]}$$

### Rod Slydring® :

$$L = c \times (d_N + W) - k \text{ [mm]}$$

where:

$D_N$  = Bore diameter [mm]

$d_N$  = Rod diameter [mm]

$W$  = Ring thickness [mm]

$c$  = 3.11 material factor, valid for Turcite® and Zurcon® Materials

$k$  = Temperature constant:

0.8 for operating temperatures up to +120 °C

2.0 only for applications > +120 °C

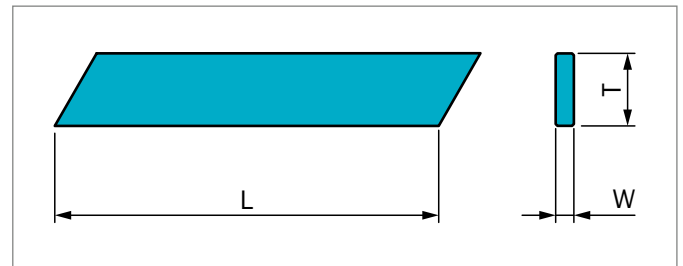


Figure 215: Cut length





## ■ Zurcon® Slydring® for Piston and Rod

### ZURCON® Z80 / Z81

Z80 is a UHMW-PE (ultra-high molecular weight polyethylene) material preferred for use in water hydraulics and pneumatics due to excellent friction and wear properties. For foodstuff and medical applications, use Zurcon® Z81, which meets the requirements in FDA CFR 21, EC, 2002/72/EC and USP 26, 2003, chapter 88 Class. VI – 121 °C-, USP biological reactivity tests, in vivo.

Zurcon® Slydring® is as standard delivered without teardrop structure - see Table 187.

### ADVANTAGES

- Good lubrication and wear performance
- Self-lubricating
- Low friction value
- No water absorption
- In compliance with FDA (Z81)
- Excellent resistance to chemicals
- High wear resistance

### APPLICATION EXAMPLES

- Water hydraulics
- Presses
- Dry pneumatics
- Filling machines
- Food processing
- Medical equipment
- Ceramic coated hydraulics

### OPERATING CONDITIONS

<b>Speed, linear:</b>	Max. 2.0 m/s
<b>Temperature:</b>	-60 °C to +80 °C
<b>Media:</b>	Mineral oil-based hydraulic fluids, flame retardant hydraulic fluids, environmentally friendly hydraulic fluids (bio-oils), phosphate ester, water, gases, dry air and others. Depending on the Zurcon® material compatibility.
<b>Radial Slydring®</b>	Max. 25 N/mm <sup>2</sup> at +25 °C
<b>Pressure:</b>	Max. 8 N/mm <sup>2</sup> from +60 °C to +80 °C

When calculating the width of Zurcon® Slydring® it is recommended to use a safety factor  $f = 2$  - see page 569.

### IMPORTANT NOTE

The above stated limits for pressure and speed are maximum values individually. Friction heat generated by the combination of pressure and speed may cause local heat build-up. Care should be taken not to apply high values for pressure and speed at the same time.

**Table 189: Serial Numbers for Slydring® in Zurcon® Z80 / Z81**

Piston Serial No.	Rod Serial No.	Off-the-roll TSS Article No.*	Groove Width L <sub>2</sub>	Ring Thickness W
GP41	GR41	GM4100000-Z80	2.50	1.55
GP43	GR43	GM4300000-Z80	4.00	1.55
GP65	GR65	GM6500000-Z80	5.60	2.50
GP69	GR69	GM6900000-Z80	9.70	2.50
GP73	GR73	GM7300000-Z80	15.00	2.50
GP75	GR75	GM7500000-Z80	25.00	2.50
GP98	GR98	GM9800000-Z80	25.00	4.00

Further dimensions on request - see Table 188.

\* Off-the-roll material can be supplied as complete rolls. Length of rolls varies depending on thickness and material, please contact your local Customer Solution Center.



## ■ Installation Recommendation, Turcite® and Zurcon® Slydring® for Piston According to ISO 10766 Groove Dimensions

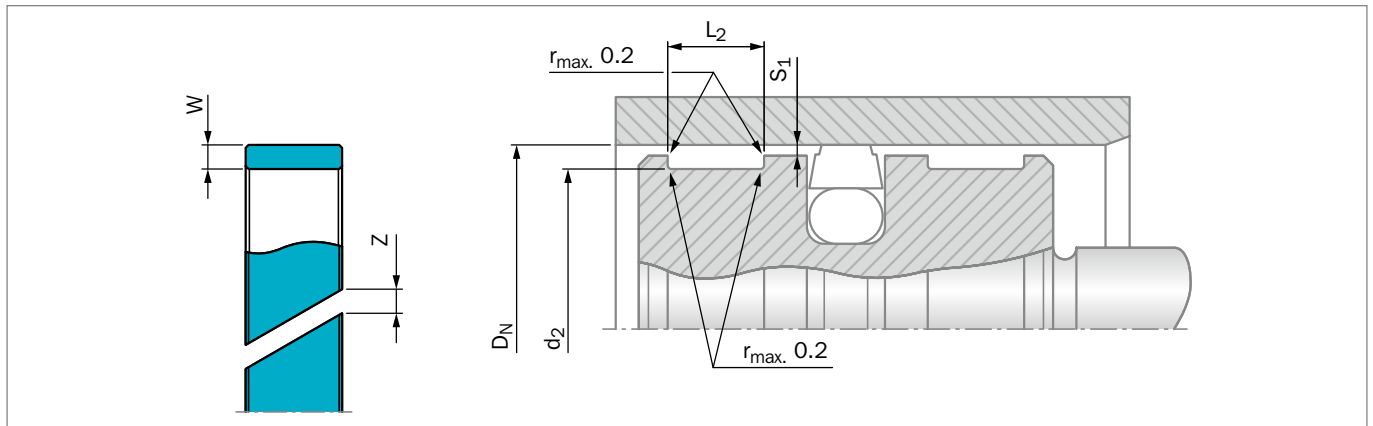


Figure 216: Installation Drawing

**Table 190: Installation Dimensions**

Series No.	Bore Diameter*	Groove Diameter	Groove Width	Ring Thickness	Ring Gap
	$D_N$ H9	$d_2$ h8	$L_2$ +0.2	W	Z
GP41	8 - 20.0	$D_N - 3.10$	2.50	1.55	****
GP43	10 - 50.0	$D_N - 3.10$	4.00	1.55	****
GP65	16 - 140.0	$D_N - 5.00$	5.60	2.50	****
GP69	60 - 220.0	$D_N - 5.00$	9.70	2.50	****
GP73	130 - 400.0	$D_N - 5.00$	15.00	2.50	****
GP75	280 - 999.9	$D_N - 5.00$	25.00	2.50	****
GP75X	1,000 - 4,200.0	$D_N - 5.00$	25.00	2.50	****
GP98	280 - 999.9	$D_N - 8.00$	25.00	4.00	****
GP98X**	1,000 - 2,200.0	$D_N - 8.00$	25.00	4.00	****
GP99***	100 - 999.9	$D_N - 8.00$	9.70	4.00	****

\* Recommended diameter ranges \*\* Slydring® in Turcite® T47 up to 3,000 mm \*\*\* Non ISO 10766 standard \*\*\*\* Calculation of the linear length, see page 573 For Slydring® to other standards, for example French standard NF E 48-037, please contact your local Customer Solution Center.

**Table 191: Radial Clearance  $S_1$ \*\*\*\***

Bore Diameter $D_N$	$S_1$ min	$S_1$ max
8 - 19	0.20	0.30
20 - 99	0.25	0.40
100 - 249	0.30	0.60
250 - 499	0.40	0.80
500 - 999	0.50	1.10
> 1,000	0.60	1.20

\*\*\*\* Specifications valid only in the area of the Slydring®, but not for the seal area. If the radial clearance S for the chosen seals is smaller than  $S_1$  min, there is risk for metal to metal contact.

**Table 192: Surface Roughness**

Parameter	Mating Surface $\mu\text{m}$		Groove Surface $\mu\text{m}$
	Turcite® Materials	Zurcon® Materials	
$R_{\text{max}}$	0.63 - 4.00	1.00 - 4.00	< 16.0
$R_z$	0.40 - 2.50	0.63 - 2.50	< 10.0
$R_a$	0.05 - 0.40	0.10 - 0.40	< 2.5

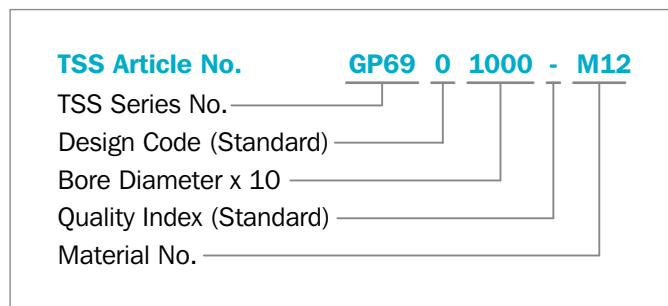


### ORDERING EXAMPLE

Slydring® for bore diameter  $D_N = 100.0$  mm  
Series GP69 from Table 190

<b>Groove Width:</b>	9.70 mm
<b>Ring Thickness:</b>	2.50 mm
<b>Material:</b>	Turcite® M12 other materials see Table 185
<b>Standard Design:</b>	With angle cut and teardrop structure Design code: 0
<b>TSS Part No.:</b>	GP6901000 from Table 193

The TSS Article No. for all intermediate sizes can be determined by following the example:

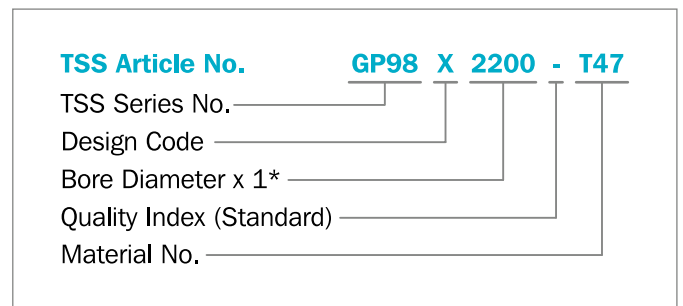


### ORDERING EXAMPLE FOR $D_N \geq 1000$ MM

Slydring® for bore diameter  $D_N = 2,200.0$  mm  
Series GP98X from Table 190

<b>Groove Width:</b>	25.00 mm
<b>Ring Thickness:</b>	2.50 mm
<b>Material:</b>	Turcite® T47 other materials see Table 185
<b>TSS Part No.:</b>	GP98X2200 from Table 193

The TSS Article No. for all intermediate sizes can be determined by following the example:



\* For diameters  $D_N \geq 1,000$  mm multiply only by factor 1.



Table 193: SLYDRING® for Piston

Dimensions				TSS Part No.	Dimensions				TSS Part No.
Bore Diameter	Groove Diameter	Groove Width	Thick-ness		Bore Diameter	Groove Diameter	Groove Width	Thick-ness	
$D_N$ H9	$d_2$ h8	$L_2$ +0.2	W		$D_N$ H9	$d_2$ h8	$L_2$ +0.2	W	
8.0	4.9	2.5	1.55	GP4100080	<b>50.0</b>	<b>46.9</b>	<b>4.0</b>	<b>1.55</b>	<b>GP4300500</b>
10.0	6.9	2.5	1.55	GP4100100	<b>50.0</b>	<b>45.0</b>	<b>5.6</b>	<b>2.50</b>	<b>GP6500500</b>
10.0	6.9	4.0	1.55	GP4300100	50.0	45.0	9.7	2.50	GP6900500
12.0	8.9	4.0	1.55	GP4300120	52.0	47.0	5.6	2.50	GP6500520
14.0	10.9	4.0	1.55	GP4300140	55.0	50.0	5.6	2.50	GP6500550
15.0	11.9	4.0	1.55	GP4300150	55.0	50.0	9.7	2.50	GP6900550
<b>16.0</b>	<b>12.9</b>	<b>4.0</b>	<b>1.55</b>	<b>GP4300160</b>	60.0	55.0	5.6	2.50	GP6500600
<b>16.0</b>	<b>11.0</b>	<b>5.6</b>	<b>2.50</b>	<b>GP6500160</b>	60.0	55.0	9.7	2.50	GP6900600
18.0	14.9	4.0	1.55	GP4300180	61.0	56.0	5.6	2.50	GP6500610
18.0	13.0	5.6	2.50	GP6500180	62.0	57.0	9.7	2.50	GP6900620
<b>20.0</b>	<b>16.9</b>	<b>4.0</b>	<b>1.55</b>	<b>GP4300200</b>	<b>63.0</b>	<b>58.0</b>	<b>5.6</b>	<b>2.50</b>	<b>GP6500630</b>
<b>20.0</b>	<b>15.0</b>	<b>5.6</b>	<b>2.50</b>	<b>GP6500200</b>	<b>63.0</b>	<b>58.0</b>	<b>9.7</b>	<b>2.50</b>	<b>GP6900630</b>
22.0	17.0	5.6	2.50	GP6500220	65.0	60.0	5.6	2.50	GP6500650
<b>25.0</b>	<b>21.9</b>	<b>4.0</b>	<b>1.55</b>	<b>GP4300250</b>	65.0	60.0	9.7	2.50	GP6900650
<b>25.0</b>	<b>20.0</b>	<b>5.6</b>	<b>2.50</b>	<b>GP6500250</b>	68.0	63.0	5.6	2.50	GP6500680
25.0	20.0	9.7	2.50	GP6900250	68.0	63.0	9.7	2.50	GP6900680
27.0	22.0	5.6	2.50	GP6500270	70.0	65.0	5.6	2.50	GP6500700
27.0	22.0	9.7	2.50	GP6900270	70.0	65.0	9.7	2.50	GP6900700
28.0	23.0	5.6	2.50	GP6500280	72.0	67.0	5.6	2.50	GP6500720
30.0	26.9	4.0	1.55	GP4300300	75.0	70.0	5.6	2.50	GP6500750
30.0	25.0	5.6	2.50	GP6500300	75.0	70.0	9.7	2.50	GP6900750
30.0	25.0	9.7	2.50	GP6900300	<b>80.0</b>	<b>75.0</b>	<b>5.6</b>	<b>2.50</b>	<b>GP6500800</b>
<b>32.0</b>	<b>28.9</b>	<b>4.0</b>	<b>1.55</b>	<b>GP4300320</b>	<b>80.0</b>	<b>75.0</b>	<b>9.7</b>	<b>2.50</b>	<b>GP6900800</b>
<b>32.0</b>	<b>27.0</b>	<b>5.6</b>	<b>2.50</b>	<b>GP6500320</b>	85.0	80.0	5.6	2.50	GP6500850
32.0	27.0	9.7	2.50	GP6900320	85.0	80.0	9.7	2.50	GP6900850
33.0	28.0	5.6	2.50	GP6500330	90.0	85.0	5.6	2.50	GP6500900
35.0	30.0	5.6	2.50	GP6500350	90.0	85.0	9.7	2.50	GP6900900
35.0	30.0	9.7	2.50	GP6900350	95.0	90.0	5.6	2.50	GP6500950
36.0	31.9	4.0	1.55	GP4300360	95.0	90.0	9.7	2.50	GP6900950
37.0	32.0	5.6	2.50	GP6500370	<b>100.0</b>	<b>95.0</b>	<b>5.6</b>	<b>2.50</b>	<b>GP6501000</b>
37.0	32.0	9.7	2.50	GP6900370	<b>100.0</b>	<b>95.0</b>	<b>9.7</b>	<b>2.50</b>	<b>GP6901000</b>
<b>40.0</b>	<b>36.9</b>	<b>4.0</b>	<b>1.55</b>	<b>GP4300400</b>	105.0	100.0	5.6	2.50	GP6501050
<b>40.0</b>	<b>35.0</b>	<b>5.6</b>	<b>2.50</b>	<b>GP6500400</b>	105.0	100.0	9.7	2.50	GP6901050
40.0	35.0	9.7	2.50	GP6900400	110.0	105.0	9.7	2.50	GP6901100
41.0	36.0	5.6	2.50	GP6500410	115.0	110.0	9.7	2.50	GP6901150
41.0	36.0	9.7	2.50	GP6900410	120.0	115.0	9.7	2.50	GP6901200
42.0	37.0	5.6	2.50	GP6500420	<b>125.0</b>	<b>120.0</b>	<b>5.6</b>	<b>2.50</b>	<b>GP6501250</b>
45.0	40.0	5.6	2.50	GP6500450	<b>125.0</b>	<b>120.0</b>	<b>9.7</b>	<b>2.50</b>	<b>GP6901250</b>
45.0	40.0	9.7	2.50	GP6900450	130.0	125.0	9.7	2.50	GP6901300
48.0	43.0	5.6	2.50	GP6500480	130.0	125.0	15.0	2.50	GP7301300



Dimensions				TSS Part No.
Bore Diameter	Groove Diameter	Groove Width	Thick-ness	
D <sub>N</sub> H9	d <sub>2</sub> h8	L <sub>2</sub> +0.2	W	
135.0	130.0	9.7	2.50	GP6901350
135.0	130.0	15.0	2.50	GP7301350
<b>140.0</b>	<b>135.0</b>	<b>9.7</b>	<b>2.50</b>	<b>GP6901400</b>
<b>140.0</b>	<b>135.0</b>	<b>15.0</b>	<b>2.50</b>	<b>GP7301400</b>
150.0	145.0	15.0	2.50	GP7301500
<b>160.0</b>	<b>155.0</b>	<b>9.7</b>	<b>2.50</b>	<b>GP6901600</b>
<b>160.0</b>	<b>155.0</b>	<b>15.0</b>	<b>2.50</b>	<b>GP7301600</b>
170.0	165.0	15.0	2.50	GP7301700
<b>180.0</b>	<b>175.0</b>	<b>9.7</b>	<b>2.50</b>	<b>GP6901800</b>
<b>180.0</b>	<b>175.0</b>	<b>15.0</b>	<b>2.50</b>	<b>GP7301800</b>
190.0	185.0	15.0	2.50	GP7301900
<b>200.0</b>	<b>195.0</b>	<b>9.7</b>	<b>2.50</b>	<b>GP6902000</b>
<b>200.0</b>	<b>195.0</b>	<b>15.0</b>	<b>2.50</b>	<b>GP7302000</b>
210.0	205.0	15.0	2.50	GP7302100
<b>220.0</b>	<b>215.0</b>	<b>9.7</b>	<b>2.50</b>	<b>GP6902200</b>
<b>220.0</b>	<b>215.0</b>	<b>15.0</b>	<b>2.50</b>	<b>GP7302200</b>
230.0	225.0	15.0	2.50	GP7302300
240.0	235.0	15.0	2.50	GP7302400
<b>250.0</b>	<b>245.0</b>	<b>9.7</b>	<b>2.50</b>	<b>GP6902500</b>
<b>250.0</b>	<b>245.0</b>	<b>15.0</b>	<b>2.50</b>	<b>GP7302500</b>
<b>280.0</b>	<b>275.0</b>	<b>15.0</b>	<b>2.50</b>	<b>GP7302800</b>
<b>280.0</b>	<b>275.0</b>	<b>25.0</b>	<b>2.50</b>	<b>GP7502800</b>

Dimensions				TSS Part No.
Bore Diameter	Groove Diameter	Groove Width	Thick-ness	
D <sub>N</sub> H9	d <sub>2</sub> h8	L <sub>2</sub> +0.2	W	
<b>280.0</b>	<b>272.0</b>	<b>25.0</b>	<b>4.00</b>	<b>GP9802800</b>
300.0	295.0	15.0	2.50	GP7303000
<b>320.0</b>	<b>315.0</b>	<b>15.0</b>	<b>2.50</b>	<b>GP7303200</b>
<b>320.0</b>	<b>315.0</b>	<b>25.0</b>	<b>2.50</b>	<b>GP7503200</b>
<b>320.0</b>	<b>312.0</b>	<b>25.0</b>	<b>4.00</b>	<b>GP9803200</b>
350.0	345.0	25.0	2.50	GP7503500
<b>360.0</b>	<b>355.0</b>	<b>15.0</b>	<b>2.50</b>	<b>GP7303600</b>
<b>360.0</b>	<b>355.0</b>	<b>25.0</b>	<b>2.50</b>	<b>GP7503600</b>
<b>360.0</b>	<b>352.0</b>	<b>25.0</b>	<b>4.00</b>	<b>GP9803600</b>
<b>400.0</b>	<b>395.0</b>	<b>15.0</b>	<b>2.50</b>	<b>GP7304000</b>
<b>400.0</b>	<b>395.0</b>	<b>25.0</b>	<b>2.50</b>	<b>GP7504000</b>
<b>400.0</b>	<b>392.0</b>	<b>25.0</b>	<b>4.00</b>	<b>GP9804000</b>
<b>450.0</b>	<b>445.0</b>	<b>15.0</b>	<b>2.50</b>	<b>GP7304500</b>
<b>450.0</b>	<b>445.0</b>	<b>25.0</b>	<b>2.50</b>	<b>GP7504500</b>
<b>450.0</b>	<b>442.0</b>	<b>25.0</b>	<b>4.00</b>	<b>GP9804500</b>
<b>500.0</b>	<b>495.0</b>	<b>15.0</b>	<b>2.50</b>	<b>GP7305000</b>
<b>500.0</b>	<b>495.0</b>	<b>25.0</b>	<b>2.50</b>	<b>GP7505000</b>
<b>500.0</b>	<b>492.0</b>	<b>25.0</b>	<b>4.00</b>	<b>GP9805000</b>
1,000.0	995.0	25.0	2.50	GP75X1000
2,700.0	2,695.0	25.0	2.50	GP75X2700

All sizes printed in **bold** type conform to ISO 10766 and should be preferred.

All intermediate sizes not contained in the table are available.



## ■ Installation Recommendation, Turcite® and Zurcon® Slydring® for Rod According to ISO 10766 Groove Dimension

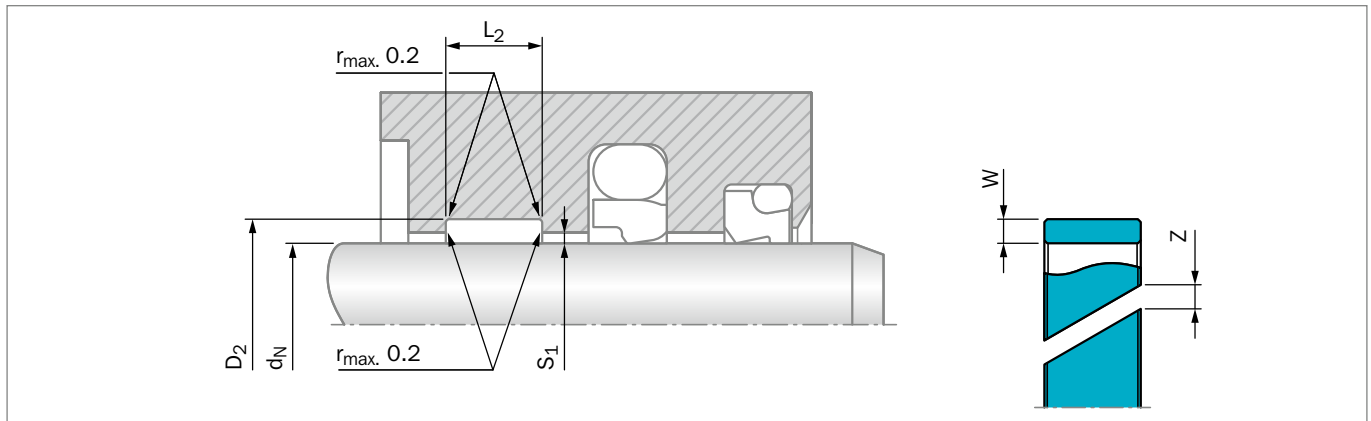


Figure 217: Installation Drawing

**Table 194: Installation Dimensions**

Serial No.	Rod Diameter*	Groove Diameter	Groove Width	Ring Thickness	Ring Gap
	$d_N$ f8/h9	$D_2$ H8	$L_2$ +0.2	$W$	$Z$
GR41	8 - 20.0	$d_N + 3.10$	2.50	1.55	***
GR43	10 - 50.0	$d_N + 3.10$	4.00	1.55	***
GR65	15 - 140.0	$d_N + 5.00$	5.60	2.50	***
GR69	20 - 220.0	$d_N + 5.00$	9.70	2.50	***
GR73	80 - 400.0	$d_N + 5.00$	15.00	2.50	***
GR75	200 - 999.9	$d_N + 5.00$	25.00	2.50	***
GR75X	1,000 - 4,200.0	$d_N + 5.00$	25.00	2.50	***
GR98	280 - 999.9	$d_N + 8.00$	25.00	4.00	***
GR98X**	1,000 - 2,200.0	$d_N + 8.00$	25.00	4.00	***

\* Recommended diameter ranges \*\* Slydring® in Turcite® T47 up to 3,000 mm \*\*\* Calculation of the linear length, see page 573  
For Slydring® to other standards, for example French standard NF E 48-037, please contact your local Customer Solution Center.

**Table 195: Radial Clearance  $S_1$ \*\*\***

Rod Diameter $d_N$	$S_1$ min	$S_1$ max
8 - 19	0.20	0.30
20 - 99	0.25	0.40
100 - 249	0.30	0.60
250 - 499	0.40	0.80
500 - 999	0.50	1.10
> 1,000	0.60	1.20

\*\*\* Specifications valid only in the area of the Slydring®, but not for the seal area. If the radial clearance  $S$  for the chosen seals is smaller than  $S_1$  min. there is risk for metal to metal contact.

**Table 196: Surface Roughness**

Parameter	Mating Surface $\mu\text{m}$		Groove Surface $\mu\text{m}$
	Turcite® Materials	Zurcon® Materials	
$R_{\text{max}}$	0.63 - 4.00	1.00 - 4.00	< 16.0
$R_z$	0.40 - 2.50	0.63 - 2.50	< 10.0
$R_a$	0.05 - 0.40	0.10 - 0.40	< 2.5

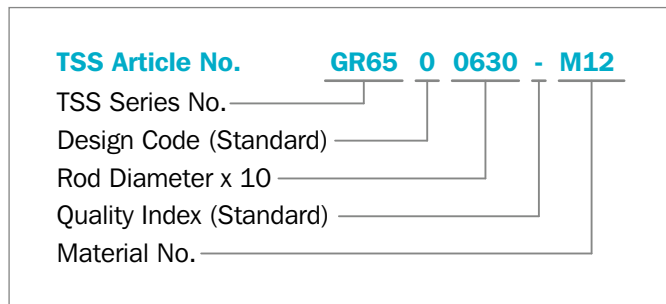


### ORDERING EXAMPLE

Slydring® for rod diameter  $d_N = 63.0$  mm  
Series GR65 from Table 194

<b>Groove Width:</b>	5.60 mm
<b>Ring Thickness:</b>	2.50 mm
<b>Material:</b>	Turcite® M12 other materials see Table 185
<b>Standard Design:</b>	With angle cut and teardrop structure Design code: 0
<b>TSS Part No.:</b>	GR6500630 from Table 197

The TSS Article No. for all intermediate sizes can be determined by following the example:

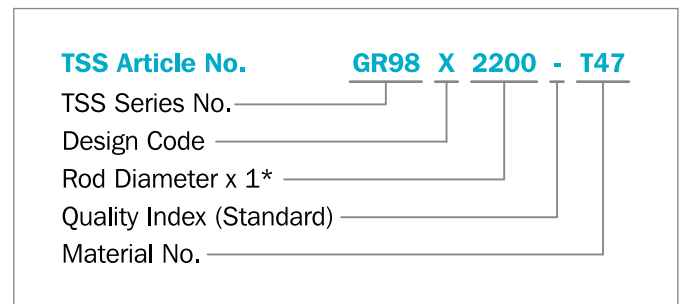


### ORDERING EXAMPLE FOR $d_N \geq 1000$ MM

Slydring® for rod diameter  $d_N = 2,200.0$  mm  
Series GR98X from Table 194

<b>Groove Width:</b>	25.00 mm
<b>Ring Thickness:</b>	4.00 mm
<b>Material:</b>	Turcite® T47 other materials see Table 185
<b>TSS Part No.:</b>	GR98X2200 from Table 197

The TSS Article No. for all intermediate sizes can be determined by following the example:



\* For diameters  $d_N \geq 1,000$  mm multiply only by factor 1.

**Table 197: Slydring® for Rods**

Dimensions				TSS Part No.
Rod Diameter	Groove Diameter	Groove Width	Thick-ness	
$d_N$ f8/h9	$D_2$ H8	$L_2$ +0.2	$W$	
8.0	11.1	2.5	1.55	GR4100080
10.0	13.1	2.5	1.55	GR4100100
10.0	13.1	4.0	1.55	GR4300100
<b>12.0</b>	<b>15.1</b>	<b>4.0</b>	<b>1.55</b>	<b>GR4300120</b>
<b>14.0</b>	<b>17.1</b>	<b>4.0</b>	<b>1.55</b>	<b>GR4300140</b>
15.0	18.1	4.0	1.55	GR4300150
<b>16.0</b>	<b>19.1</b>	<b>4.0</b>	<b>1.55</b>	<b>GR4300160</b>
16.0	21.0	5.6	2.50	GR6500160
<b>18.0</b>	<b>21.1</b>	<b>4.0</b>	<b>1.55</b>	<b>GR4300180</b>
18.0	23.0	5.6	2.50	GR6500180
<b>20.0</b>	<b>23.1</b>	<b>4.0</b>	<b>1.55</b>	<b>GR4300200</b>
20.0	25.0	5.6	2.50	GR6500200
20.0	25.0	9.7	2.50	GR6900200
<b>22.0</b>	<b>25.1</b>	<b>4.0</b>	<b>1.55</b>	<b>GR4300220</b>
22.0	27.0	5.6	2.50	GR6500220
22.0	27.0	9.7	2.50	GR6900220

Dimensions				TSS Part No.
Rod Diameter	Groove Diameter	Groove Width	Thick-ness	
$d_N$ f8/h9	$D_2$ H8	$L_2$ +0.2	$W$	
<b>25.0</b>	<b>28.1</b>	<b>4.0</b>	<b>1.55</b>	<b>GR4300250</b>
<b>25.0</b>	<b>30.0</b>	<b>5.6</b>	<b>2.50</b>	<b>GR6500250</b>
25.0	30.0	9.7	2.50	GR6900250
27.0	32.0	5.6	2.50	GR6500270
27.0	32.0	9.7	2.50	GR6900270
<b>28.0</b>	<b>31.1</b>	<b>4.0</b>	<b>1.55</b>	<b>GR4300280</b>
<b>28.0</b>	<b>33.0</b>	<b>5.6</b>	<b>2.50</b>	<b>GR6500280</b>
28.0	33.0	9.7	2.50	GR6900280
30.0	35.0	5.6	2.50	GR6500300
30.0	35.0	9.7	2.50	GR6900300
<b>32.0</b>	<b>37.0</b>	<b>5.6</b>	<b>2.50</b>	<b>GR6500320</b>
<b>32.0</b>	<b>37.0</b>	<b>9.7</b>	<b>2.50</b>	<b>GR6900320</b>
35.0	40.0	5.6	2.50	GR6500350
35.0	40.0	9.7	2.50	GR6900350
<b>36.0</b>	<b>41.0</b>	<b>5.6</b>	<b>2.50</b>	<b>GR6500360</b>
<b>36.0</b>	<b>41.0</b>	<b>9.7</b>	<b>2.50</b>	<b>GR6900360</b>



Dimensions				TSS Part No.
Rod Diameter	Groove Diameter	Groove Width	Thick-ness	
$d_N$ f8/h9	$D_2$ H8	$L_2$ +0.2	W	
<b>40.0</b>	<b>45.0</b>	<b>5.6</b>	<b>2.50</b>	<b>GR6500400</b>
<b>40.0</b>	<b>45.0</b>	<b>9.7</b>	<b>2.50</b>	<b>GR6900400</b>
40.0	45.0	15.0	2.50	GR7300400
42.0	47.0	5.6	2.50	GR6500420
43.0	48.0	5.6	2.50	GR6500430
<b>45.0</b>	<b>50.0</b>	<b>5.6</b>	<b>2.50</b>	<b>GR6500450</b>
<b>45.0</b>	<b>50.0</b>	<b>9.7</b>	<b>2.50</b>	<b>GR6900450</b>
48.0	53.0	5.6	2.50	GR6500480
48.0	53.0	9.7	2.50	GR6900480
<b>50.0</b>	<b>55.0</b>	<b>5.6</b>	<b>2.50</b>	<b>GR6500500</b>
<b>50.0</b>	<b>55.0</b>	<b>9.7</b>	<b>2.50</b>	<b>GR6900500</b>
52.0	57.0	5.6	2.50	GR6500520
52.0	57.0	9.7	2.50	GR6900520
55.0	60.0	5.6	2.50	GR6500550
55.0	60.0	9.7	2.50	GR6900550
<b>56.0</b>	<b>61.0</b>	<b>5.6</b>	<b>2.50</b>	<b>GR6500560</b>
<b>56.0</b>	<b>61.0</b>	<b>9.7</b>	<b>2.50</b>	<b>GR6900560</b>
58.0	63.0	5.6	2.50	GR6500580
58.0	63.0	9.7	2.50	GR6900580
60.0	65.0	5.6	2.50	GR6500600
60.0	65.0	9.7	2.50	GR6900600
<b>63.0</b>	<b>68.0</b>	<b>5.6</b>	<b>2.50</b>	<b>GR6500630</b>
<b>63.0</b>	<b>68.0</b>	<b>9.7</b>	<b>2.50</b>	<b>GR6900630</b>
63.0	68.0	15.0	2.50	GR7300630
65.0	70.0	5.6	2.50	GR6500650
65.0	70.0	9.7	2.50	GR6900650
<b>70.0</b>	<b>75.0</b>	<b>5.6</b>	<b>2.50</b>	<b>GR6500700</b>
<b>70.0</b>	<b>75.0</b>	<b>9.7</b>	<b>2.50</b>	<b>GR6900700</b>
70.0	75.0	15.0	2.50	GR7300700
75.0	80.0	5.6	2.50	GR6500750
75.0	80.0	9.7	2.50	GR6900750
75.0	80.0	15.0	2.50	GR7300750
80.0	85.0	5.6	2.50	GR6500800
<b>80.0</b>	<b>85.0</b>	<b>9.7</b>	<b>2.50</b>	<b>GR6900800</b>
<b>80.0</b>	<b>85.0</b>	<b>15.0</b>	<b>2.50</b>	<b>GR7300800</b>
85.0	90.0	5.6	2.50	GR6500850
85.0	90.0	9.7	2.50	GR6900850
<b>90.0</b>	<b>95.0</b>	<b>5.6</b>	<b>2.50</b>	<b>GR6500900</b>
<b>90.0</b>	<b>95.0</b>	<b>9.7</b>	<b>2.50</b>	<b>GR6900900</b>
90.0	95.0	15.0	2.50	GR7300900
95.0	100.0	9.7	2.50	GR6900950

Dimensions				TSS Part No.
Rod Diameter	Groove Diameter	Groove Width	Thick-ness	
$d_N$ f8/h9	$D_2$ H8	$L_2$ +0.2	W	
95.0	100.0	15.0	2.50	GR7300950
100.0	105.0	5.6	2.50	GR6501000
<b>100.0</b>	<b>105.0</b>	<b>9.7</b>	<b>2.50</b>	<b>GR6901000</b>
<b>100.0</b>	<b>105.0</b>	<b>15.0</b>	<b>2.50</b>	<b>GR7301000</b>
105.0	110.0	9.7	2.50	GR6901050
105.0	110.0	15.0	2.50	GR7301050
<b>110.0</b>	<b>115.0</b>	<b>9.7</b>	<b>2.50</b>	<b>GR6901100</b>
<b>110.0</b>	<b>115.0</b>	<b>15.0</b>	<b>2.50</b>	<b>GR7301100</b>
115.0	120.0	9.7	2.50	GR6901150
115.0	120.0	15.0	2.50	GR7301150
120.0	125.0	5.6	2.50	GR6501200
120.0	125.0	9.7	2.50	GR6901200
120.0	125.0	15.0	2.50	GR7301200
<b>125.0</b>	<b>130.0</b>	<b>9.7</b>	<b>2.50</b>	<b>GR6901250</b>
<b>125.0</b>	<b>130.0</b>	<b>15.0</b>	<b>2.50</b>	<b>GR7301250</b>
130.0	135.0	15.0	2.50	GR7301300
135.0	140.0	15.0	2.50	GR7301350
<b>140.0</b>	<b>145.0</b>	<b>9.7</b>	<b>2.50</b>	<b>GR6901400</b>
<b>140.0</b>	<b>145.0</b>	<b>15.0</b>	<b>2.50</b>	<b>GR7301400</b>
150.0	155.0	15.0	2.50	GR7301500
155.0	160.0	15.0	2.50	GR7301550
<b>160.0</b>	<b>165.0</b>	<b>9.7</b>	<b>2.50</b>	<b>GR6901600</b>
<b>160.0</b>	<b>165.0</b>	<b>15.0</b>	<b>2.50</b>	<b>GR7301600</b>
170.0	175.0	15.0	2.50	GR7301700
<b>180.0</b>	<b>185.0</b>	<b>9.7</b>	<b>2.50</b>	<b>GR6901800</b>
<b>180.0</b>	<b>185.0</b>	<b>15.0</b>	<b>2.50</b>	<b>GR7301800</b>
190.0	195.0	15.0	2.50	GR7301900
195.0	200.0	15.0	2.50	GR7301950
<b>200.0</b>	<b>205.0</b>	<b>15.0</b>	<b>2.50</b>	<b>GR7302000</b>
<b>200.0</b>	<b>205.0</b>	<b>25.0</b>	<b>2.50</b>	<b>GR7502000</b>
210.0	215.0	15.0	2.50	GR7302100
<b>220.0</b>	<b>225.0</b>	<b>15.0</b>	<b>2.50</b>	<b>GR7302200</b>
<b>220.0</b>	<b>225.0</b>	<b>25.0</b>	<b>2.50</b>	<b>GR7502200</b>
230.0	235.0	25.0	2.50	GR7502300
240.0	245.0	25.0	2.50	GR7502400
<b>250.0</b>	<b>255.0</b>	<b>15.0</b>	<b>2.50</b>	<b>GR7302500</b>
<b>250.0</b>	<b>255.0</b>	<b>25.0</b>	<b>2.50</b>	<b>GR7502500</b>
<b>280.0</b>	<b>285.0</b>	<b>15.0</b>	<b>2.50</b>	<b>GR7302800</b>
<b>280.0</b>	<b>285.0</b>	<b>25.0</b>	<b>2.50</b>	<b>GR7502800</b>
<b>280.0</b>	<b>288.0</b>	<b>25.0</b>	<b>4.00</b>	<b>GR9802800</b>
300.0	305.0	25.0	2.50	GR7503000





Dimensions				TSS Part No.
Rod Diameter	Groove Diameter	Groove Width	Thick-ness	
$d_N$ f8/h9	$D_2$ H8	$L_2$ +0.2	W	
<b>320.0</b>	<b>325.0</b>	<b>15.0</b>	<b>2.50</b>	<a href="#">GR7303200</a>
<b>320.0</b>	<b>325.0</b>	<b>25.0</b>	<b>2.50</b>	<a href="#">GR7503200</a>
<b>320.0</b>	<b>328.0</b>	<b>25.0</b>	<b>4.00</b>	<a href="#">GR9803200</a>
350.0	355.0	25.0	2.50	<a href="#">GR7503500</a>
<b>360.0</b>	<b>365.0</b>	<b>15.0</b>	<b>2.50</b>	<a href="#">GR7303600</a>
<b>360.0</b>	<b>365.0</b>	<b>25.0</b>	<b>2.50</b>	<a href="#">GR7503600</a>
<b>360.0</b>	<b>368.0</b>	<b>25.0</b>	<b>4.00</b>	<a href="#">GR9803600</a>
400.0	405.0	25.0	2.50	<a href="#">GR7504000</a>
400.0	408.0	25.0	4.00	<a href="#">GR9804000</a>
800.0	805.0	25.0	2.50	<a href="#">GR7508000</a>
800.0	808.0	25.0	4.00	<a href="#">GR9808000</a>
1,000.0	1,005.0	25.0	2.50	<a href="#">GR75X1000</a>
1,000.0	1,008.0	25.0	4.00	<a href="#">GR98X1000</a>
2,200.0	2,205.0	25.0	2.50	<a href="#">GR75X2200</a>
2,600.0	2,605.0	25.0	2.50	<a href="#">GR75X2600</a>
2,600.0	2,608.0	25.0	4.00	<a href="#">GR98X2600</a>

All sizes printed in **bold** type conform to ISO 10766 and should be preferred.

All intermediate sizes not contained in the table are available upon request.



## ■ HiMod® Slydring® for Piston and Rod

### DESCRIPTION

HiMod® Slydring® are made in special, modified thermoplastic materials and can be used in hydraulic cylinders for medium to high loads. Two different grades of material are available:

HiMod® HM061: A special glass fiber reinforced polyacetal

HiMod® HM062: A special glass fiber reinforced heat-stabilized polyamid with PTFE filler

Slydring® in material HM061 and HM062 are injection molded to finish parts (mold necessary), a wide range of standard sizes (see Table 203 and Table 215) are available.

### APPLICATION EXAMPLES

HiMod® Slydring® (HM061, 062) is generally utilized in a wide range of hydraulic equipment such as:

- Standard hydraulic cylinder, medium range
- Truck tail lift
- Telescopic cylinders
- Truck cranes
- Forklift truck
- Stabilizer cylinders
- Agriculture equipment
- Construction machinery

### MATERIALS

#### HiMod® HM061

HiMod® HM061 is a polyacetal (POM) based material with glass fibers.

### ADVANTAGES

- Favorable price/performance ratio
- High compressive strength
- Easy installation on pistons and glands (gland bore > 40 mm)
- High wear resistance
- Water absorption 0.2%
- High stiffness

### OPERATING CONDITIONS

<b>Velocity, reciprocating:</b>	max. 0.8 m/s
<b>Temperature:</b>	-40 °C to +110 °C
<b>Radial Slydring®</b>	max. 40 N/mm <sup>2</sup> at +25 °C
<b>Pressure:</b>	max. 25 N/mm <sup>2</sup> > +60 °C

When calculating the width of HiMod® Slydring® it is recommended to use a safety factor  $f = 2$ , see page 569.

### IMPORTANT NOTE

The above stated limits for pressure and speed are maximum values individually. Friction heat generated by the combination of pressure and speed may cause local heat build-up. Care should be taken not to apply high values for pressure and speed at the same time.

**HiMod® HM062**

HM062 is a polyamid (PA 66) based material with glass fibers and PTFE filler. The material is heat stabilized.

**ADVANTAGES**

- Good price/performance ratio
- High compressive strength even at high temperatures
- High wear resistance
- Easy installation on pistons and glands (gland bore > 30 mm)
- Low friction
- For operation under poor lubrication

**OPERATING CONDITIONS**

<b>Velocity, reciprocating:</b>	max. 1.0 m/s
<b>Temperature:</b>	-40 °C to +130 °C
<b>Radial Slydring®</b>	max. 75 N/mm <sup>2</sup> at +60 °C
<b>Pressure:</b>	max. 40 N/mm <sup>2</sup> > +60 °C

When calculating the width of HiMod® Slydring® it is recommended to use a safety factor  $f = 2$  - see page 569.

**IMPORTANT NOTE**

The above stated limits for pressure and speed are maximum values individually. Friction heat generated by the combination of pressure and speed may cause local heat build-up. Care should be taken not to apply high values for pressure and speed at the same time.



## ■ Installation Recommendation, HiMod® Slydring® for Piston According to ISO 10766 Groove Dimension

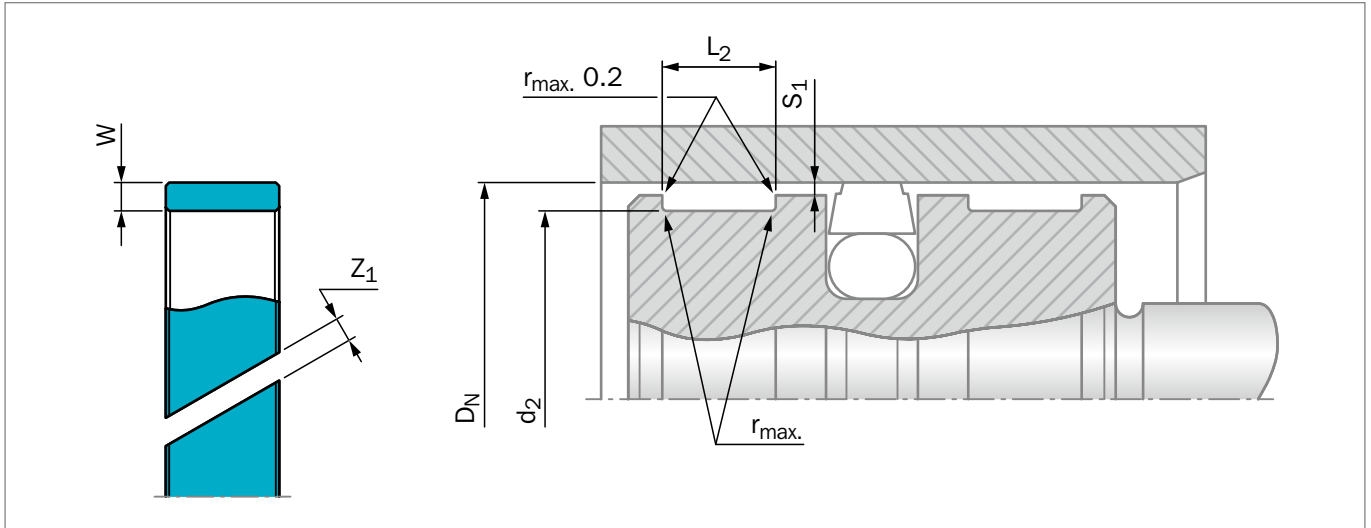


Figure 218: Installation Drawing

**Table 198: Installation Dimensions**

Serial No.	Bore Diameter*	Groove Diameter	Groove Width	Ring Thickness
	$D_N$ H9	$d_2$ h8	$L_2$ +0.2	$W$
GP43	10 - 50.0	$D_N - 3.10$	4.00	1.55
GP65	16 - 140.0	$D_N - 5.00$	5.60	2.50
GP69	60 - 220.0	$D_N - 5.00$	9.70	2.50
GP73	130 - 300.0	$D_N - 5.00$	15.00	2.50
GP75	280 - 300.0	$D_N - 5.00$	25.00	2.50
GP98	280 - 300.0	$D_N - 8.00$	25.00	4.00

\* Recommended diameter ranges.

For Slydring® to other standards, e.g. French standard NF E 48-037, please contact your local Customer Solution Center.

**Table 199: Recommended Radii for Groove**

$D_N$	$r_{max}$
8 - 250	0.2
> 250	0.4

**Table 200: Radial Clearance  $S_1$ \*\***

Bore Diameter $D_N$	$S_1$ min	$S_1$ max
8 - 20	0.20	0.30
20 - 100	0.25	0.40
101 - 250	0.30	0.60
251 - 300	0.40	0.80

\*\* Specifications valid only in the area of the Slydring®, but not for the seal area.



**Table 201: Recommended Gap**

$D_N$	Ring Gap $Z_1$
10 - 44	2 - 2.5
45 - 149	2 - 3
> 150	3 - 4

**ORDERING EXAMPLE**

Slydring® for bore diameter  $D_N = 100.0$  mm  
Series GP69 from Table 198:

<b>Groove Width:</b>	9.70 mm
<b>Ring Thickness:</b>	2.50 mm
<b>Material:</b>	HiMod® HM061 other materials see Table 185
<b>Standard Design:</b>	With angle cut Design code: 0
<b>TSS Article No.:</b>	GP6901000-HM061 from Table 203

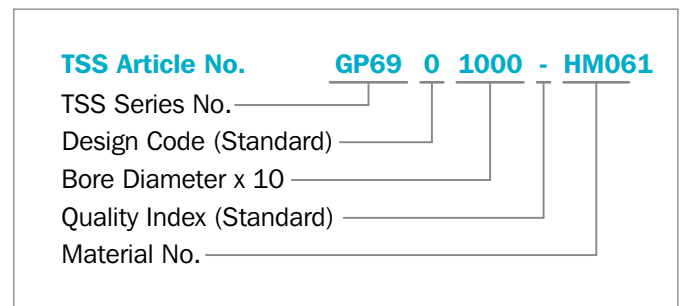
**Table 202: Surface Roughness**

Parameter	Mating Surface $\mu\text{m}$	Groove Surface $\mu\text{m}$
	HiMod® Materials	
$R_{\text{max}}$	1.00 - 4.00	< 16.0
$R_z$	0.63 - 2.50	< 10.0
$R_a$	0.10 - 0.40	< 2.5

**Note**

HM062 material can be ordered by replacing the HM061 material code in the TSS Article Number.

Please check with your local Customer Solution Center the availability and price of the HM062. This material may require new molds.



**Table 203: Slydring® for Piston in HM061**

Dimensions				TSS Article No.	Polypac Ref. No.
Bore Diameter	Groove Diameter	Groove Width	Thickness		
$D_N$ H9	$d_2$ h8	$L_2$ +0.2	$W$		
12.0	8.9	4.0	1.55	GP4300120-HM061	WR 8.9 12 4
<b>16.0</b>	<b>12.9</b>	<b>4.0</b>	<b>1.55</b>	<b>GP4300160-HM061</b>	<b>WR 12.9 16 4</b>
<b>20.0</b>	<b>16.9</b>	<b>4.0</b>	<b>1.55</b>	<b>GP4300200-HM061</b>	<b>WR 16.9 20 4</b>
24.0	20.9	4.0	1.55	GP4300240-HM061	WR 20.9 24 4
<b>25.0</b>	<b>21.9</b>	<b>4.0</b>	<b>1.55</b>	<b>GP4300250-HM061</b>	<b>WR 21.9 25 4</b>
<b>25.0</b>	<b>20.0</b>	<b>5.6</b>	<b>2.50</b>	<b>GP6500250-HM061</b>	<b>WR 20 25 5.6</b>
25.0	20.0	9.7	2.50	GP6900250-HM061	WR 20 25 9.7
27.0	22.0	5.6	2.50	GP6500270-HM061	WR 22 27 5.6
27.0	22.0	9.7	2.50	GP6900270-HM061	WR 22 27 9.7
30.0	25.0	5.6	2.50	GP6500300-HM061	WR 25 30 5.6
30.0	25.0	9.7	2.50	GP6900300-HM061	WR 25 30 9.7
<b>32.0</b>	<b>28.9</b>	<b>4.0</b>	<b>1.55</b>	<b>GP4300320-HM061</b>	<b>WR 28.9 32 4</b>
<b>32.0</b>	<b>27.0</b>	<b>5.6</b>	<b>2.50</b>	<b>GP6500320-HM061</b>	<b>WR 27 32 5.6</b>
32.0	27.0	9.7	2.50	GP6900320-HM061	WR 27 32 9.7



Dimensions				TSS Article No.	Polypac Ref. No.
Bore Diameter	Groove Diameter	Groove Width	Thickness		
D <sub>N</sub> H9	d <sub>2</sub> h8	L <sub>2</sub> +0.2	W		
33.0	28.0	5.6	2.50	GP6500330-HM061	WR 28 33 5.6
35.0	30.0	5.6	2.50	GP6500350-HM061	WR 30 35 5.6
35.0	30.0	9.7	2.50	GP6900350-HM061	WR 30 35 9.7
37.0	32.0	5.6	2.50	GP6500370-HM061	WR 32 37 5.6
37.0	32.0	9.7	2.50	GP6900370-HM061	WR 32 37 9.7
<b>40.0</b>	<b>35.0</b>	<b>5.6</b>	<b>2.50</b>	<b>GP6500400-HM061</b>	<b>WR 35 40 5.6</b>
40.0	35.0	9.7	2.50	GP6900400-HM061	WR 35 40 9.7
41.0	36.0	5.6	2.50	GP6500410-HM061	WR 36 41 5.6
41.0	36.0	9.7	2.50	GP6900410-HM061	WR 36 41 9.7
45.0	40.0	5.6	2.50	GP6500450-HM061	WR 40 45 5.6
45.0	40.0	9.7	2.50	GP6900450-HM061	WR 40 45 9.7
45.0	40.0	15.0	2.50	GP7300450-HM061	WR 40 45 15
<b>50.0</b>	<b>45.0</b>	<b>5.6</b>	<b>2.50</b>	<b>GP6500500-HM061</b>	<b>WR 45 50 5.6</b>
50.0	45.0	9.7	2.50	GP6900500-HM061	WR 45 50 9.7
50.0	45.0	15.0	2.50	GP7300500-HM061	WR 45 50 15
52.0	47.0	5.6	2.50	GP6500520-HM061	WR 47 52 5.6
55.0	50.0	5.6	2.50	GP6500550-HM061	WR 50 55 5.6
55.0	50.0	9.7	2.50	GP6900550-HM061	WR 50 55 9.7
55.0	50.0	15.0	2.50	GP7300550-HM061	WR 50 55 15
57.0	52.0	5.6	2.50	GP6500570-HM061	WR 52 57 5.6
57.0	52.0	9.7	2.50	GP6900570-HM061	WR 52 57 9.7
58.0	53.0	9.7	2.50	GP6900580-HM061	WR 53 58 9.7
60.0	55.0	5.6	2.50	GP6500600-HM061	WR 55 60 5.6
60.0	55.0	9.7	2.50	GP6900600-HM061	WR 55 60 9.7
61.0	56.0	5.6	2.50	GP6500610-HM061	WR 56 61 5.6
62.0	56.0	9.7	2.50	GP6900620-HM061	WR 56 61 9.7
<b>63.0</b>	<b>58.0</b>	<b>5.6</b>	<b>2.50</b>	<b>GP6500630-HM061</b>	<b>WR 58 63 5.6</b>
<b>63.0</b>	<b>58.0</b>	<b>9.7</b>	<b>2.50</b>	<b>GP6900630-HM061</b>	<b>WR 58 63 9.7</b>
65.0	60.0	5.6	2.50	GP6500650-HM061	WR 60 65 5.6
65.0	60.0	9.7	2.50	GP6900650-HM061	WR 60 65 9.7
68.0	63.0	5.6	2.50	GP6500680-HM061	WR 63 68 5.6
68.0	63.0	9.7	2.50	GP6900680-HM061	WR 63 68 9.7
68.0	63.0	15.0	2.50	GP7300680-HM061	WR 63 68 15
70.0	65.0	5.6	2.50	GP6500700-HM061	WR 65 70 5.6
70.0	65.0	9.7	2.50	GP6900700-HM061	WR 65 70 9.7
72.0	67.0	5.6	2.50	GP6500720-HM061	WR 67 72 5.6
75.0	70.0	5.6	2.50	GP6500750-HM061	WR 70 75 5.6
75.0	70.0	9.7	2.50	GP6900750-HM061	WR 70 75 9.7
75.0	70.0	15.0	2.50	GP7300750-HM061	WR 70 75 15
<b>80.0</b>	<b>75.0</b>	<b>5.6</b>	<b>2.50</b>	<b>GP6500800-HM061</b>	<b>WR 75 80 5.6</b>
<b>80.0</b>	<b>75.0</b>	<b>9.7</b>	<b>2.50</b>	<b>GP6900800-HM061</b>	<b>WR 75 80 9.7</b>



Dimensions				TSS Article No.	Polypac Ref. No.
Bore Diameter	Groove Diameter	Groove Width	Thickness		
$D_N$ H9	$d_2$ h8	$L_2$ +0.2	$W$		
<b>80.0</b>	<b>75.0</b>	<b>15.0</b>	<b>2.50</b>	<b>GP7300800-HM061</b>	<b>WR 75 80 15</b>
85.0	80.0	5.6	2.50	GP6500850-HM061	WR 80 85 5.6
85.0	80.0	9.7	2.50	GP6900850-HM061	WR 80 85 9.7
85.0	80.0	15.0	2.50	GP7300850-HM061	WR 80 85 15
90.0	85.0	5.6	2.50	GP6500900-HM061	WR 85 90 5.6
90.0	85.0	9.7	2.50	GP6900900-HM061	WR 85 90 9.7
90.0	85.0	15.0	2.50	GP7300900-HM061	WR 85 90 15
95.0	90.0	5.6	2.50	GP6500950-HM061	WR 90 95 5.6
95.0	90.0	9.7	2.50	GP6900950-HM061	WR 90 95 9.7
<b>100.0</b>	<b>95.0</b>	<b>5.6</b>	<b>2.50</b>	<b>GP6501000-HM061</b>	<b>WR 95 100 5.6</b>
<b>100.0</b>	<b>95.0</b>	<b>9.7</b>	<b>2.50</b>	<b>GP6901000-HM061</b>	<b>WR 95 100 9.7</b>
<b>100.0</b>	<b>95.0</b>	<b>15.0</b>	<b>2.50</b>	<b>GP7301000-HM061</b>	<b>WR 95 100 15</b>
105.0	100.0	5.6	2.50	GP6501050-HM061	WR 100 105 5.6
105.0	100.0	9.7	2.50	GP6901050-HM061	WR 100 105 9.7
105.0	100.0	15.0	2.50	GP7301050-HM061	WR 100 105 15
110.0	105.0	9.7	2.50	GP6901100-HM061	WR 105 110 9.7
110.0	105.0	15.0	2.50	GP7301100-HM061	WR 105 110 15
115.0	110.0	9.7	2.50	GP6901150-HM061	WR 110 115 9.7
115.0	110.0	15.0	2.50	GP7301150-HM061	WR 110 115 15
120.0	115.0	9.7	2.50	GP6901200-HM061	WR 115 120 9.7
<b>125.0</b>	<b>120.0</b>	<b>5.6</b>	<b>2.50</b>	<b>GP6501250-HM061</b>	<b>WR 120 125 5.6</b>
<b>125.0</b>	<b>120.0</b>	<b>9.7</b>	<b>2.50</b>	<b>GP6901250-HM061</b>	<b>WR 120 125 9.7</b>
<b>125.0</b>	<b>120.0</b>	<b>15.0</b>	<b>2.50</b>	<b>GP7301250-HM061</b>	<b>WR 120 125 15</b>
130.0	125.0	15.0	2.50	GP7301300-HM061	WR 125 130 15
<b>140.0</b>	<b>135.0</b>	<b>9.7</b>	<b>2.50</b>	<b>GP6901400-HM061</b>	<b>WR 135 140 9.7</b>
<b>140.0</b>	<b>135.0</b>	<b>15.0</b>	<b>2.50</b>	<b>GP7301400-HM061</b>	<b>WR 135 140 15</b>
<b>160.0</b>	<b>155.0</b>	<b>9.7</b>	<b>2.50</b>	<b>GP6901600-HM061</b>	<b>WR 155 160 9.7</b>
<b>160.0</b>	<b>155.0</b>	<b>15.0</b>	<b>2.50</b>	<b>GP7301600-HM061</b>	<b>WR 155 160 15</b>
<b>200.0</b>	<b>195.0</b>	<b>15.0</b>	<b>2.50</b>	<b>GP7302000-HM061</b>	<b>WR 195 200 15</b>

All sizes printed in **bold** type conform to ISO 10766 and should be preferred for use.



## ■ Installation Recommendation, HiMod® Slydring® for Piston Non ISO 10766 Groove Dimension

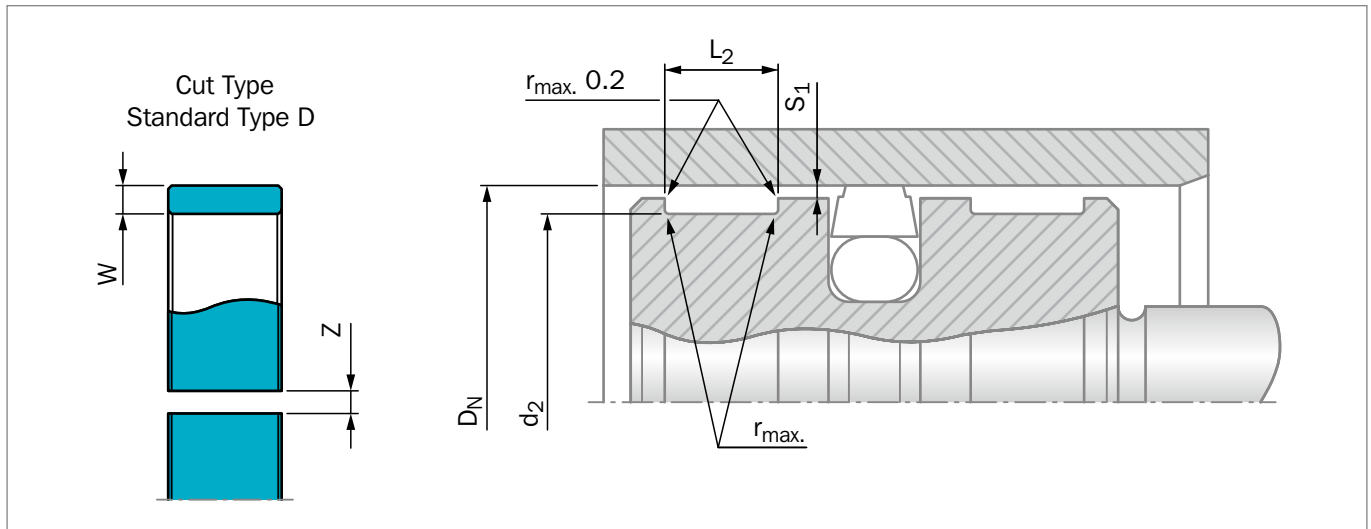


Figure 219: Installation Drawing

**Table 204: Installation Dimensions HiMod® Slydring® for Piston non ISO 10766 Groove Dimensions**

Series No.	Groove Diameter $d_2$ h8	Groove Width $L_2$ +0.2	Ring Thickness $W$	Series No.	Groove Diameter $d_2$ h8	Groove Width $L_2$ +0.2	Ring Thickness $W$
GP49	$D_N - 4.00$	9.70	2.00	GP91	$D_N - 6.00$	10.00	3.00
GP51	$D_N - 4.00$	10.00	2.00	GP92	$D_N - 6.00$	12.00	3.00
GP53	$D_N - 4.00$	15.00	2.00	GPN3	$D_N - 6.00$	12.80	3.00
GP54	$D_N - 4.00$	20.00	2.00	GP93	$D_N - 6.00$	15.00	3.00
GP67	$D_N - 5.00$	6.30	2.50	GPN4	$D_N - 6.00$	19.20	3.00
GP68	$D_N - 5.00$	8.10	2.50	GP94	$D_N - 6.00$	20.00	3.00
GP71	$D_N - 5.00$	10.00	2.50	GP95	$D_N - 6.00$	25.00	3.00
GPN1	$D_N - 6.00$	9.70	3.00	GPL2	$D_N - 8.00$	15.00	4.00

**Table 205: Recommended Radii for Groove**

$D_N$	$r_{max}$
8 - 250	0.2
> 250	0.4

**Table 206: Radial Clearance  $S_1$  \***

Bore Diameter $D_N$	$S_1$ min	$S_1$ max
8 - 20	0.20	0.30
20 - 100	0.25	0.40
101 - 250	0.30	0.60
251 - 300	0.40	0.80

\* Specifications valid only in the area of the Slydring®, but not for the seal area.





**Table 207: Recommended Gap**

$D_N$	Ring Gap $Z_1$
16 - 49	1 - 1.5
50 - 154	1.5 - 2.5
> 155	2 - 4

**ORDERING EXAMPLE**

For Polypac Slydring® Ref. No. E/DWR 20/2  
Bore diameter  $D_N = 20.0$  mm:

<b>Groove Width:</b>	9.70 mm
<b>Ring Thickness:</b>	2.00 mm
<b>Material:</b>	HM061
<b>Standard Design:</b>	With angle cut Design code: 0

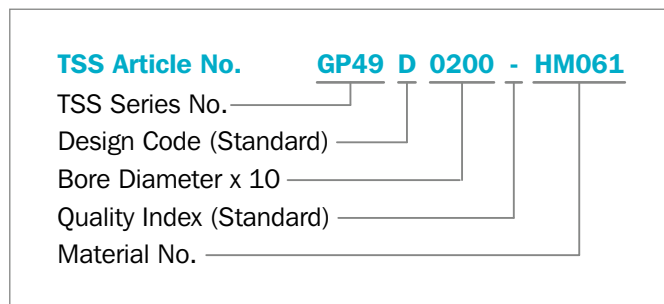
**Table 208: Surface Roughness**

Parameter	Mating Surface $\mu\text{m}$	Groove Surface $\mu\text{m}$
	HiMod® Materials	
$R_{\text{max}}$	1.00 - 4.00	< 16.0
$R_z$	0.63 - 2.50	< 10.0
$R_a$	0.10 - 0.40	< 2.5

**Note**

HM062 material can be ordered by replacing the HM061 material code in the TSS Article Number.

Please check with your local Customer Solution Center the availability and price of the HM062. This material may require new molds.



**Table 209: Slydring® for Piston in HM061**

Dimensions				TSS Article No.	Polypac Ref. No.
Bore Diameter	Groove Diameter	Groove Width	Thickness		
$D_N$ H11	$d_2$ h8	$L_2$ +0.2	$W$		
16.0	12.0	9.7	2.00	GP49D0160-HM061	E/DWR 16/2-9.6
18.0	14.0	9.7	2.00	GP49D0180-HM061	E/DWR 18/2-9.6
20.0	16.0	9.7	2.00	GP49D0200-HM061	E/DWR 20/2-9.6
22.0	18.0	9.7	2.00	GP49D0220-HM061	E/DWR 22/2-9.6
24.0	20.0	9.7	2.00	GP49D0240-HM061	E/DWR 24/2-9.6
25.0	21.0	9.7	2.00	GP49D0250-HM061	E/DWR 25/2-9.6
26.0	22.0	9.7	2.00	GP49D0260-HM061	E/DWR 26/2-9.6
27.0	23.0	9.7	2.00	GP49D0270-HM061	E/DWR 27/2-9.6
28.0	24.0	9.7	2.00	GP49D0280-HM061	E/DWR 28/2-9.6
29.0	25.0	9.7	2.00	GP49D0290-HM061	E/DWR 29/2-9.6
30.0	26.0	9.7	2.00	GP49D0300-HM061	E/DWR 30/2-9.6
32.0	28.0	9.7	2.00	GP49D0320-HM061	E/DWR 32/2-9.6
33.0	29.0	9.7	2.00	GP49D0330-HM061	E/DWR 33/2-9.6
34.0	30.0	9.7	2.00	GP49D0340-HM061	E/DWR 34/2-9.6
35.0	31.0	9.7	2.00	GP49D0350-HM061	E/DWR 35/2-9.6
35.0	29.0	9.7	3.00	GPN1D0350-HM061	E/DWR 35/3-9.6
36.0	32.0	9.7	2.00	GP49D0360-HM061	E/DWR 36/2-9.6
38.0	34.0	9.7	2.00	GP49D0380-HM061	E/DWR 38/2-9.6



Dimensions				TSS Article No.	Polypac Ref. No.
Bore Diameter	Groove Diameter	Groove Width	Thickness		
D <sub>N</sub> H11	d <sub>2</sub> h8	L <sub>2</sub> +0.2	W		
39.0	35.0	9.7	2.00	GP49D0390-HM061	E/DWR 39/2-9.6
39.0	35.0	12.8	2.00	GPN3D0390-HM061	E/DWR 39/2-12.8
39.0	33.0	9.7	3.00	GPN1D0390-HM061	E/DWR 39/3-9.6
40.0	36.0	9.7	2.00	GP49D0400-HM061	E/DWR 40/2-9.6
40.0	34.0	9.7	3.00	GPN1D0400-HM061	E/DWR 40/3-9.6
42.0	38.0	9.7	2.00	GP49D0420-HM061	E/DWR 42/2-9.6
44.0	40.0	9.7	2.00	GP49D0440-HM061	E/DWR 44/2-9.6
44.0	38.0	9.7	3.00	GPN1D0440-HM061	E/DWR 44/3-9.6
45.0	41.0	9.7	2.00	GP49D0450-HM061	E/DWR 45/2-9.6
45.0	39.0	9.7	3.00	GPN1D0450-HM061	E/DWR 45/3-9.6
46.0	40.0	9.7	3.00	GPN1D0460-HM061	E/DWR 46/3-9.6
48.0	42.0	9.7	3.00	GPN1D0480-HM061	E/DWR 48/3-9.6
48.0	42.0	12.8	3.00	GPN3D0480-HM061	E/DWR 48/3-12.8
49.0	45.0	9.7	2.00	GP49D0490-HM061	E/DWR 49/2-9.6
49.0	43.0	9.7	3.00	GPN1D0490-HM061	E/DWR 49/3-9.6
50.0	44.0	9.7	3.00	GPN1D0500-HM061	E/DWR 50/3-9.6
50.0	44.0	12.8	3.00	GPN3D0500-HM061	E/DWR 50/3-12.8
52.0	46.0	12.8	3.00	GPN3D0520-HM061	E/DWR 52/3-12.8
53.0	47.0	9.7	3.00	GPN1D0530-HM061	E/DWR 53/3-9.6
54.0	48.0	12.8	3.00	GPN3D0540-HM061	E/DWR 54/3-12.8
55.0	51.0	9.7	2.00	GP49D0550-HM061	E/DWR 55/2-9.6
55.0	49.0	9.7	3.00	GPN1D0550-HM061	E/DWR 55/3-9.6
55.0	49.0	12.8	3.00	GPN3D0550-HM061	E/DWR 55/3-12.8
56.0	50.0	12.8	3.00	GPN3D0560-HM061	E/DWR 56/3-12.8
57.0	51.0	12.8	3.00	GPN3D0570-HM061	E/DWR 57/3-12.8
59.0	55.0	9.7	2.00	GP49D0590-HM061	E/DWR 59/2-9.6
60.0	56.0	9.7	2.00	GP49D0600-HM061	E/DWR 60/2-9.6
60.0	54.0	12.8	3.00	GPN3D0600-HM061	E/DWR 60/3-12.8
62.0	56.0	12.8	3.00	GPN3D0620-HM061	E/DWR 62/3-12.8
63.0	57.0	12.8	3.00	GPN3D0630-HM061	E/DWR 63/3-12.8
65.0	61.0	9.7	2.00	GP49D0650-HM061	E/DWR 65/2-9.6
65.0	59.0	12.8	3.00	GPN3D0650-HM061	E/DWR 65/3-12.8
67.0	61.0	12.8	3.00	GPN3D0670-HM061	E/DWR 67/3-12.8
68.0	62.0	12.8	3.00	GPN3D0680-HM061	E/DWR 68/3-12.8
70.0	64.0	12.8	3.00	GPN3D0700-HM061	E/DWR 70/3-12.8
71.0	65.0	12.8	3.00	GPN3D0710-HM061	E/DWR 71/3-12.8
72.0	66.0	12.8	3.00	GPN3D0720-HM061	E/DWR 72/3-12.8
74.0	70.0	9.7	2.00	GP49D0740-HM061	E/DWR 74/2-9.6
74.0	68.0	12.8	3.00	GPN3D0740-HM061	E/DWR 74/3-12.8
75.0	69.0	12.8	3.00	GPN3D0750-HM061	E/DWR 75/3-12.8
76.0	70.0	12.8	3.00	GPN3D0760-HM061	E/DWR 76/3-12.8
77.0	71.0	12.8	3.00	GPN3D0770-HM061	E/DWR 77/3-12.8
80.0	74.0	12.8	3.00	GPN3D0800-HM061	E/DWR 80/3-12.8
83.0	77.0	12.8	3.00	GPN3D0830-HM061	E/DWR 83/3-12.8



Dimensions				TSS Article No.	Polypac Ref. No.
Bore Diameter	Groove Diameter	Groove Width	Thickness		
D <sub>N</sub> H11	d <sub>2</sub> h8	L <sub>2</sub> +0.2	W		
84.0	78.0	12.8	3.00	GPN3D0840-HM061	E/DWR 84/3-12.8
85.0	79.0	12.8	3.00	GPN3D0850-HM061	E/DWR 85/3-12.8
88.0	82.0	12.8	3.00	GPN3D0880-HM061	E/DWR 88/3-12.8
89.0	83.0	12.8	3.00	GPN3D0890-HM061	E/DWR 89/3-12.8
90.0	84.0	12.8	3.00	GPN3D0900-HM061	E/DWR 90/3-12.8
91.0	85.0	12.8	3.00	GPN3D0910-HM061	E/DWR 91/3-12.8
92.0	86.0	12.8	3.00	GPN3D0920-HM061	E/DWR 92/3-12.8
93.0	87.0	12.8	3.00	GPN3D0930-HM061	E/DWR 93/3-12.8
94.0	88.0	12.8	3.00	GPN3D0940-HM061	E/DWR 94/3-12.8
95.0	89.0	12.8	3.00	GPN3D0950-HM061	E/DWR 95/3-12.8
100.0	94.0	9.7	3.00	GPN1D1000-HM061	E/DWR 100/3-9.6
100.0	94.0	12.8	3.00	GPN3D1000-HM061	E/DWR 100/3-12.8
102.0	96.0	12.8	3.00	GPN3D1020-HM061	E/DWR 102/3-12.8
104.0	98.0	12.8	3.00	GPN3D1040-HM061	E/DWR 104/3-12.8
105.0	99.0	12.8	3.00	GPN3D1050-HM061	E/DWR 105/3-12.8
105.0	99.0	19.2	3.00	GPN4D1050-HM061	E/DWR 105/3-19.2
108.0	102.0	12.8	3.00	GPN3D1080-HM061	E/DWR 108/3-12.8
110.0	104.0	12.8	3.00	GPN3D1100-HM061	E/DWR 110/3-12.8
112.0	106.0	19.2	3.00	GPN4D1120-HM061	E/DWR 112/3-19.2
115.0	109.0	12.8	3.00	GPN3D1150-HM061	E/DWR 115/3-12.8
115.0	109.0	19.2	3.00	GPN4D1150-HM061	E/DWR 115/3-19.2
116.0	110.0	12.8	3.00	GPN3D1160-HM061	E/DWR 116/3-12.8
116.0	110.0	19.2	3.00	GPN4D1160-HM061	E/DWR 116/3-19.2
118.0	112.0	12.8	3.00	GPN3D1180-HM061	E/DWR 118/3-12.8
120.0	114.0	12.8	3.00	GPN3D1200-HM061	E/DWR 120/3-12.8
121.0	115.0	12.8	3.00	GPN3D1210-HM061	E/DWR 121/3-12.8
123.0	117.0	12.8	3.00	GPN3D1230-HM061	E/DWR 123/3-12.8
125.0	119.0	12.8	3.00	GPN3D1250-HM061	E/DWR 125/3-12.8
125.0	119.0	19.2	3.00	GPN4D1250-HM061	E/DWR 125/3-19.2
126.0	120.0	12.8	3.00	GPN3D1260-HM061	E/DWR 126/3-12.8
127.0	121.0	12.8	3.00	GPN3D1270-HM061	E/DWR 127/3-12.8
130.0	124.0	12.8	3.00	GPN3D1300-HM061	E/DWR 130/3-12.8
130.0	124.0	19.2	3.00	GPN4D1300-HM061	E/DWR 130/3-19.2
133.0	127.0	12.8	3.00	GPN3D1330-HM061	E/DWR 133/3-12.8
135.0	129.0	12.8	3.00	GPN3D1350-HM061	E/DWR 135/3-12.8
135.0	129.0	19.2	3.00	GPN4D1350-HM061	E/DWR 135/3-19.2
140.0	134.0	12.8	3.00	GPN3D1400-HM061	E/DWR 140/3-12.8
140.0	134.0	19.2	3.00	GPN4D1400-HM061	E/DWR 140/3-19.2
145.0	139.0	12.8	3.00	GPN3D1450-HM061	E/DWR 145/3-12.8
145.0	139.0	19.2	3.00	GPN4D1450-HM061	E/DWR 145/3-19.2
146.0	140.0	12.8	3.00	GPN3D1460-HM061	E/DWR 146/3-12.8
147.0	141.0	12.8	3.00	GPN3D1470-HM061	E/DWR 147/3-12.8
150.0	144.0	12.8	3.00	GPN3D1500-HM061	E/DWR 150/3-12.8
150.0	144.0	19.2	3.00	GPN4D1500-HM061	E/DWR 150/3-19.2



Dimensions				TSS Article No.	Polypac Ref. No.
Bore Diameter	Groove Diameter	Groove Width	Thickness		
D <sub>N</sub> H11	d <sub>2</sub> h8	L <sub>2</sub> +0.2	W		
151.0	145.0	12.8	3.00	GPN3D1510-HM061	E/DWR 151/3-12.8
152.0	146.0	19.2	3.00	GPN4D1520-HM061	E/DWR 152/3-19.2
153.0	147.0	19.2	3.00	GPN4D1530-HM061	E/DWR 153/3-19.2
154.0	148.0	19.2	3.00	GPN4D1540-HM061	E/DWR 154/3-19.2
155.0	149.0	19.2	3.00	GPN4D1550-HM061	E/DWR 155/3-19.2
158.0	152.0	19.2	3.00	GPN4D1580-HM061	E/DWR 158/3-19.2
160.0	154.0	19.2	3.00	GPN4D1600-HM061	E/DWR 160/3-19.2
165.0	159.0	19.2	3.00	GPN4D1650-HM061	E/DWR 165/3-19.2
168.0	162.0	12.8	3.00	GPN3D1680-HM061	E/DWR 168/3-12.8
168.0	162.0	19.2	3.00	GPN4D1680-HM061	E/DWR 168/3-19.2
170.0	164.0	19.2	3.00	GPN4D1700-HM061	E/DWR 170/3-19.2
172.0	166.0	19.2	3.00	GPN4D1720-HM061	E/DWR 172/3-19.2
175.0	169.0	19.2	3.00	GPN4D1750-HM061	E/DWR 175/3-19.2
180.0	174.0	19.2	3.00	GPN4D1800-HM061	E/DWR 180/3-19.2
181.0	175.0	19.2	3.00	GPN4D1810-HM061	E/DWR 181/3-19.2
185.0	179.0	19.2	3.00	GPN4D1850-HM061	E/DWR 185/3-19.2
189.0	183.0	19.2	3.00	GPN4D1890-HM061	E/DWR 189/3-19.2
190.0	184.0	19.2	3.00	GPN4D1900-HM061	E/DWR 190/3-19.2
192.0	186.0	19.2	3.00	GPN4D1920-HM061	E/DWR 192/3-19.2
195.0	189.0	19.2	3.00	GPN4D1950-HM061	E/DWR 195/3-19.2
200.0	194.0	19.2	3.00	GPN4D2000-HM061	E/DWR 200/3-19.2
205.0	199.0	19.2	3.00	GPN4D2050-HM061	E/DWR 205/3-19.2
210.0	204.0	19.2	3.00	GPN4D2100-HM061	E/DWR 210/3-19.2
215.0	209.0	19.2	3.00	GPN4D2150-HM061	E/DWR 215/3-19.2
217.0	211.0	19.2	3.00	GPN4D2170-HM061	E/DWR 217/3-19.2
220.0	214.0	19.2	3.00	GPN4D2200-HM061	E/DWR 220/3-19.2
225.0	219.0	19.2	3.00	GPN4D2250-HM061	E/DWR 225/3-19.2
230.0	224.0	19.2	3.00	GPN4D2300-HM061	E/DWR 230/3-19.2
235.0	229.0	19.2	3.00	GPN4D2350-HM061	E/DWR 235/3-19.2
237.0	231.0	19.2	3.00	GPN4D2370-HM061	E/DWR 237/3-19.2
240.0	234.0	19.2	3.00	GPN4D2400-HM061	E/DWR 240/3-19.2
245.0	239.0	19.2	3.00	GPN4D2450-HM061	E/DWR 245/3-19.2
250.0	244.0	19.2	3.00	GPN4D2500-HM061	E/DWR 250/3-19.2
254.0	248.0	19.2	3.00	GPN4D2540-HM061	E/DWR 254/3-19.2
255.0	249.0	19.2	3.00	GPN4D2550-HM061	E/DWR 255/3-19.2
260.0	254.0	19.2	3.00	GPN4D2600-HM061	E/DWR 260/3-19.2
265.0	259.0	19.2	3.00	GPN4D2650-HM061	E/DWR 265/3-19.2
270.0	264.0	19.2	3.00	GPN4D2700-HM061	E/DWR 270/3-19.2
275.0	269.0	19.2	3.00	GPN4D2750-HM061	E/DWR 275/3-19.2
280.0	274.0	19.2	3.00	GPN4D2800-HM061	E/DWR 280/3-19.2
285.0	279.0	19.2	3.00	GPN4D2850-HM061	E/DWR 285/3-19.2
290.0	284.0	19.2	3.00	GPN4D2900-HM061	E/DWR 290/3-19.2
295.0	289.0	19.2	3.00	GPN4D2950-HM061	E/DWR 295/3-19.2
300.0	294.0	19.2	3.00	GPN4D3000-HM061	E/DWR 300/3-19.2



## ■ Installation Recommendation, HiMod® Slydring® for Rod According to ISO 10766 Groove Dimension

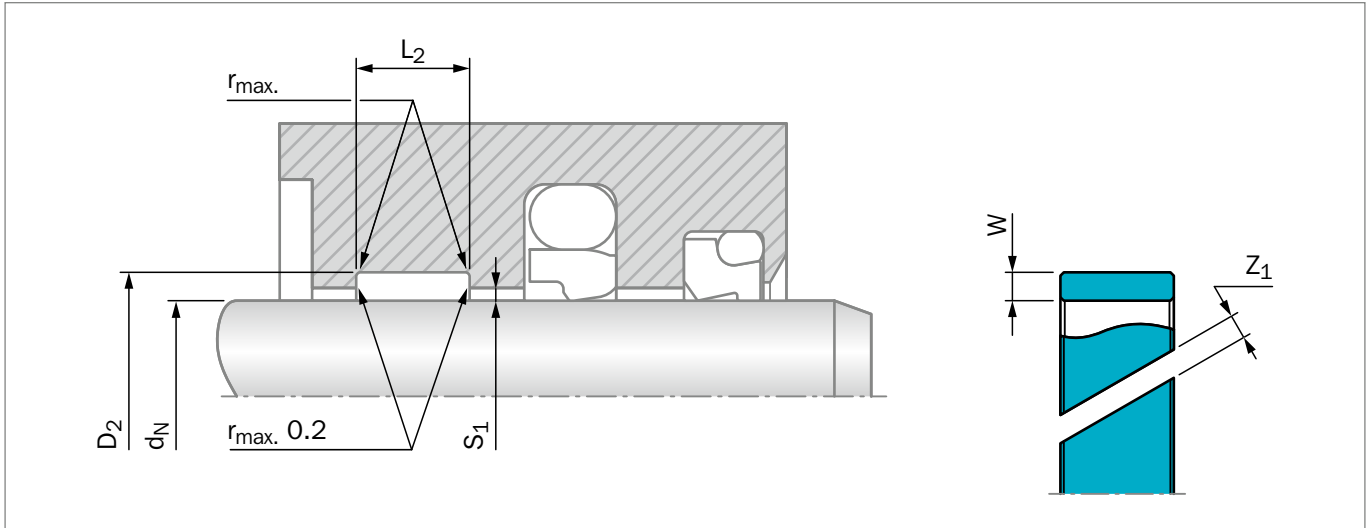


Figure 220: Installation Drawing

**Table 210: Installation Dimensions**

Serial No.	Rod Diameter*	Groove Diameter	Groove Width	Ring Thickness
	$d_N$ f8/h9	$D_2$ H8	$L_2$ +0.2	$W$
GR43	10 - 50.0	$d_N + 3.10$	4.00	1.55
GR65	15 - 140.0	$d_N + 5.00$	5.60	2.50
GR69	20 - 220.0	$d_N + 5.00$	9.70	2.50
GR73	80 - 300.0	$d_N + 5.00$	15.00	2.50
GR75	200 - 300.0	$d_N + 5.00$	25.00	2.50
GR98	280 - 300.0	$d_N + 8.00$	25.00	4.00

\* Recommended diameter ranges.

For Slydring® to other standards, e.g. French standard NF E 48-037, please contact your local Customer Solution Center.

**Table 211: Recommended Radii for Groove**

$d_N$	$r_{max}$
8 - 250	0.2
> 250	0.4

**Table 212: Radial Clearance  $S_1$ \*\***

Rod Diameter $d_N$	$S_1$ min	$S_1$ max
8 - 20	0.20	0.30
20 - 100	0.25	0.40
101 - 250	0.30	0.60
251 - 300	0.40	0.80

\*\* Specifications valid only in the area of the Slydring®, but not for the seal area.



Table 213: Recommended Gap

$d_N$	Ring Gap $Z_1$
10 - 39	2 - 2.5
40 - 149	2 - 3
> 150	3 - 4

## ORDERING EXAMPLE

Slydring® for rod diameter  $d_N = 63.0$  mm  
Series GR69 from Table 210

<b>Groove Width:</b>	9.70 mm
<b>Ring Thickness:</b>	2.50 mm
<b>Material:</b>	HiMod® HM061 other materials see Table 185
<b>Standard Design:</b>	With angle cut Design code: 0
<b>TSS Part No.:</b>	GR6900630-HM061 from Table 215

Table 214: Surface Roughness

Parameter	Mating Surface $\mu\text{m}$	Groove Surface $\mu\text{m}$
	HiMod® Materials	
$R_{\text{max}}$	1.00 - 4.00	< 16.0
$R_z$	0.63 - 2.50	< 10.0
$R_a$	0.10 - 0.40	< 2.5

## Note

HM062 material can be ordered by replacing the HM061 material code in the TSS Article Number.

Please check with your local Customer Solution Center the availability and price of the HM062. This material may require new molds.

TSS Article No. **GR69 0 0630 - HM061**

TSS Series No. \_\_\_\_\_  
Design Code (Standard) \_\_\_\_\_  
Rod Diameter x 10 \_\_\_\_\_  
Quality Index (Standard) \_\_\_\_\_  
Material No. \_\_\_\_\_

Table 215: Slydring® for Rods in HM061

Dimensions				TSS Article No.	Polypac Ref. No.
Rod Diameter	Groove Diameter	Groove Width	Thickness		
$d_N$ f8/h9	$D_2$ H8	$L_2$ +0.2	$W$		
<b>20.0</b>	<b>23.1</b>	<b>4.0</b>	<b>1.55</b>	<b>GR4300200-HM061</b>	<b>WR 20 23.1 4</b>
20.0	25.0	5.6	2.50	GR6500200-HM061	WR 20 25 5.6
20.0	25.0	9.7	2.50	GR6900200-HM061	WR 20 25 9.7
22.0	27.0	5.6	2.50	GR6500220-HM061	WR 22 27 5.6
22.0	27.0	9.7	2.50	GR6900220-HM061	WR 22 27 9.7
<b>25.0</b>	<b>28.1</b>	<b>4.0</b>	<b>1.55</b>	<b>GR4300250-HM061</b>	<b>WR 25 28.1 4</b>
<b>25.0</b>	<b>30.0</b>	<b>5.6</b>	<b>2.50</b>	<b>GR6500250-HM061</b>	<b>WR 25 30 5.6</b>
25.0	30.0	9.7	2.50	GR6900250-HM061	WR 25 30 9.7
27.0	32.0	5.6	2.50	GR6500270-HM061	WR 27 32 5.6
27.0	32.0	9.7	2.50	GR6900270-HM061	WR 27 32 9.7
<b>28.0</b>	<b>33.0</b>	<b>5.6</b>	<b>2.50</b>	<b>GR6500280-HM061</b>	<b>WR 28 33 5.6</b>
30.0	35.0	5.6	2.50	GR6500300-HM061	WR 30 35 5.6
30.0	35.0	9.7	2.50	GR6900300-HM061	WR 30 35 9.7
<b>32.0</b>	<b>37.0</b>	<b>5.6</b>	<b>2.50</b>	<b>GR6500320-HM061</b>	<b>WR 32 37 5.6</b>



Dimensions				TSS Article No.	Polypac Ref. No.
Rod Diameter	Groove Diameter	Groove Width	Thickness		
d <sub>N</sub> f8/h9	D <sub>2</sub> H8	L <sub>2</sub> +0.2	W		
<b>32.0</b>	<b>37.0</b>	<b>9.7</b>	<b>2.50</b>	<b>GR6900320-HM061</b>	<b>WR 32 37 9.7</b>
35.0	40.0	5.6	2.50	GR6500350-HM061	WR 35 40 5.6
35.0	40.0	9.7	2.50	GR6900350-HM061	WR 35 40 9.7
<b>36.0</b>	<b>41.0</b>	<b>5.6</b>	<b>2.50</b>	<b>GR6500360-HM061</b>	<b>WR 36 41 5.6</b>
<b>36.0</b>	<b>41.0</b>	<b>9.7</b>	<b>2.50</b>	<b>GR6900360-HM061</b>	<b>WR 36 41 9.7</b>
<b>40.0</b>	<b>45.0</b>	<b>5.6</b>	<b>2.50</b>	<b>GR6500400-HM061</b>	<b>WR 40 45 5.6</b>
<b>40.0</b>	<b>45.0</b>	<b>9.7</b>	<b>2.50</b>	<b>GR6900400-HM061</b>	<b>WR 40 45 9.7</b>
40.0	45.0	15.0	2.50	GR7300400-HM061	WR 40 45 15
<b>45.0</b>	<b>50.0</b>	<b>5.6</b>	<b>2.50</b>	<b>GR6500450-HM061</b>	<b>WR 45 50 5.6</b>
<b>45.0</b>	<b>50.0</b>	<b>9.7</b>	<b>2.50</b>	<b>GR6900450-HM061</b>	<b>WR 45 50 9.7</b>
45.0	50.0	15.0	2.50	GR7300450-HM061	WR 45 50 15
47.0	52.0	5.6	2.50	GR6500470-HM061	WR 47 52 5.6
<b>50.0</b>	<b>55.0</b>	<b>5.6</b>	<b>2.50</b>	<b>GR6500500-HM061</b>	<b>WR 50 55 5.6</b>
<b>50.0</b>	<b>55.0</b>	<b>9.7</b>	<b>2.50</b>	<b>GR6900500-HM061</b>	<b>WR 50 55 9.7</b>
50.0	55.0	15.0	2.50	GR7300500-HM061	WR 50 55 15
52.0	57.0	5.6	2.50	GR6500520-HM061	WR 52 57 5.6
52.0	57.0	9.7	2.50	GR6900520-HM061	WR 52 57 9.7
53.0	58.0	9.7	2.50	GR6900530-HM061	WR 53 58 9.7
55.0	60.0	5.6	2.50	GR6500550-HM061	WR 55 60 5.6
55.0	60.0	9.7	2.50	GR6900550-HM061	WR 55 60 9.7
<b>56.0</b>	<b>61.0</b>	<b>5.6</b>	<b>2.50</b>	<b>GR6500560-HM061</b>	<b>WR 56 61 5.6</b>
<b>56.0</b>	<b>61.0</b>	<b>9.7</b>	<b>2.50</b>	<b>GR6900560-HM061</b>	<b>WR 56 61 9.7</b>
58.0	63.0	5.6	2.50	GR6500580-HM061	WR 58 63 5.6
58.0	63.0	9.7	2.50	GR6900580-HM061	WR 58 63 9.7
60.0	65.0	5.6	2.50	GR6500600-HM061	WR 60 65 5.6
60.0	65.0	9.7	2.50	GR6900600-HM061	WR 60 65 9.7
<b>63.0</b>	<b>68.0</b>	<b>5.6</b>	<b>2.50</b>	<b>GR6500630-HM061</b>	<b>WR 63 68 5.6</b>
<b>63.0</b>	<b>68.0</b>	<b>9.7</b>	<b>2.50</b>	<b>GR6900630-HM061</b>	<b>WR 63 68 9.7</b>
63.0	68.0	15.0	2.50	GR7300630-HM061	ER 63 68 15
65.0	70.0	5.6	2.50	GR6500650-HM061	WR 65 70 5.6
65.0	70.0	9.7	2.50	GR6900650-HM061	WR 65 70 9.7
67.0	72.0	5.6	2.50	GR6500670-HM061	WR 67 72 5.6
<b>70.0</b>	<b>75.0</b>	<b>5.6</b>	<b>2.50</b>	<b>GR6500700-HM061</b>	<b>WR 70 75 5.6</b>
<b>70.0</b>	<b>75.0</b>	<b>9.7</b>	<b>2.50</b>	<b>GR6900700-HM061</b>	<b>WR 70 75 9.7</b>
70.0	75.0	15.0	2.50	GR7300700-HM061	WR 70 75 15
75.0	80.0	5.6	2.50	GR6500750-HM061	WR 75 80 5.6
75.0	80.0	9.7	2.50	GR6900750-HM061	WR 75 80 9.7
75.0	80.0	15.0	2.50	GR7300750-HM061	WR 75 80 15
80.0	85.0	5.6	2.50	GR6500800-HM061	WR 80 85 5.6
<b>80.0</b>	<b>85.0</b>	<b>9.7</b>	<b>2.50</b>	<b>GR6900800-HM061</b>	<b>WR 80 85 9.7</b>
<b>80.0</b>	<b>85.0</b>	<b>15.0</b>	<b>2.50</b>	<b>GR7300800-HM061</b>	<b>WR 80 85 15</b>





Dimensions				TSS Article No.	Polypac Ref. No.
Rod Diameter	Groove Diameter	Groove Width	Thickness		
$d_N$ f8/h9	$D_2$ H8	$L_2$ +0.2	$W$		
85.0	90.0	5.6	2.50	GR6500850-HM061	WR 85 90 5.6
85.0	90.0	9.7	2.50	GR6900850-HM061	WR 85 90 9.7
85.0	90.0	15.0	2.50	GR7300850-HM061	WR 85 90 15
90.0	95.0	5.6	2.50	GR6500900-HM061	WR 90 95 5.6
<b>90.0</b>	<b>95.0</b>	<b>9.7</b>	<b>2.50</b>	<b>GR6900900-HM061</b>	<b>WR 90 95 9.7</b>
92.0	97.0	25.0	2.50	GR7500920-HM061	WR 92 97 25
95.0	100.0	5.6	2.50	GR6500950-HM061	WR 95 100 5.6
95.0	100.0	9.7	2.50	GR6900950-HM061	WR 95 100 9.7
95.0	100.0	15.0	2.50	GR7300950-HM061	WR 95 100 15
100.0	105.0	5.6	2.50	GR6501000-HM061	WR 100 105 5.6
<b>100.0</b>	<b>105.0</b>	<b>9.7</b>	<b>2.50</b>	<b>GR6901000-HM061</b>	<b>WR 100 105 9.7</b>
<b>100.0</b>	<b>105.0</b>	<b>15.0</b>	<b>2.50</b>	<b>GR7301000-HM061</b>	<b>WR 100 105 15</b>
105.0	110.0	9.7	2.50	GR6901050-HM061	WR 105 110 9.7
105.0	110.0	15.0	2.50	GR7301050-HM061	WR 105 110 15
<b>110.0</b>	<b>115.0</b>	<b>9.7</b>	<b>2.50</b>	<b>GR6901100-HM061</b>	<b>WR 110 115 9.7</b>
<b>110.0</b>	<b>115.0</b>	<b>15.0</b>	<b>2.50</b>	<b>GR7301100-HM061</b>	<b>WR 110 115 15</b>
115.0	120.0	9.7	2.50	GR6901150-HM061	WR 115 120 9.7
120.0	125.0	5.6	2.50	GR6501200-HM061	WR 120 125 5.6
120.0	125.0	9.7	2.50	GR6901200-HM061	WR 120 125 9.7
120.0	125.0	15.0	2.50	GR7301200-HM061	WR 120 125 15
<b>125.0</b>	<b>130.0</b>	<b>15.0</b>	<b>2.50</b>	<b>GR7301250-HM061</b>	<b>WR 125 130 15</b>
135.0	140.0	9.7	2.50	GR6901350-HM061	WR 135 140 9.7
135.0	140.0	15.0	2.50	GR7301350-HM061	WR 135 140 15
155.0	160.0	15.0	2.50	GR7301550-HM061	WR 155 160 15
195.0	200.0	15.0	2.50	GR7301950-HM061	WR 195 200 15

All sizes printed in **bold** type conform to ISO 10766 and should be preferred for use.





## ■ Installation Recommendation, HiMod® Slydring® for Rod Non ISO 10766 Groove Dimension

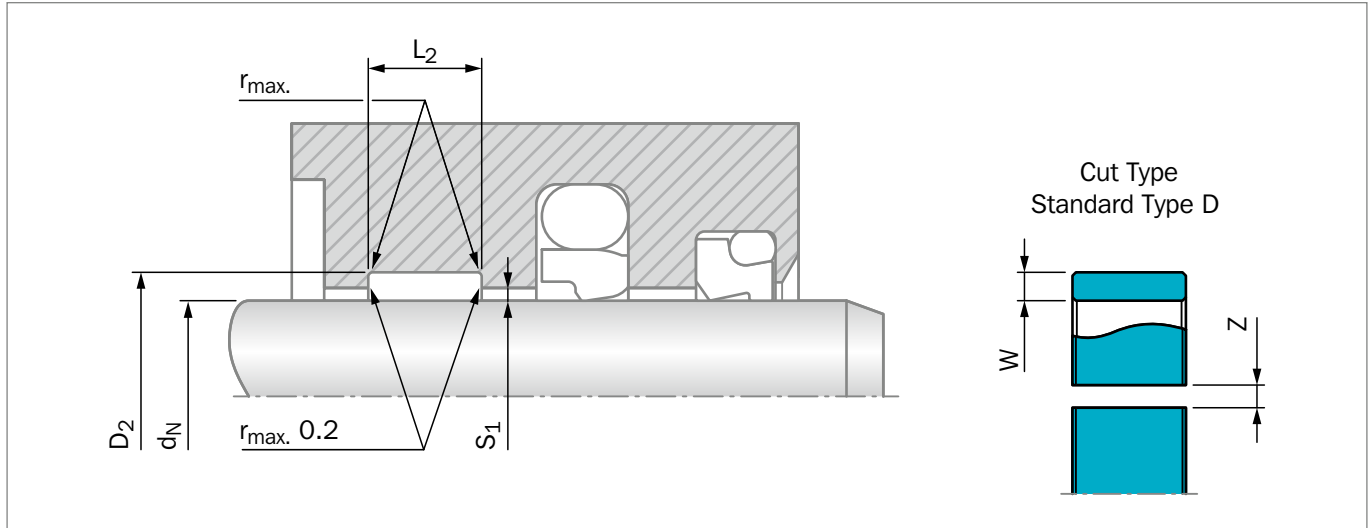


Figure 221: Installation Drawing

**Table 216: Installation Dimensions HiMod® Slydring® for Rod non ISO 10766 Groove Dimensions**

Serial No.	Groove Diameter	Groove Width	Ring Thickness	Serial No.	Groove Diameter	Groove Width	Ring Thickness
	$D_2$ H8	$L_2$ +0.2	W		$D_2$ H8	$L_2$ +0.2	W
GR48	$d_N + 4.00$	8.10	2.00	GR92	$d_N + 6.00$	12.00	3.00
GR49	$d_N + 4.00$	9.70	2.00	GRN3	$d_N + 6.00$	12.80	3.00
GR51	$d_N + 4.00$	10.00	2.00	GRN4	$d_N + 6.00$	19.20	3.00
GRN5	$d_N + 4.00$	12.80	2.00	GR94	$d_N + 6.00$	20.00	3.00
GR53	$d_N + 4.00$	15.00	2.00	GR95	$d_N + 6.00$	25.00	3.00
GR54	$d_N + 4.00$	20.00	2.00	GR96	$d_N + 6.00$	30.00	3.00
GRN1	$d_N + 6.00$	9.70	3.00	GRL5	$d_N + 8.00$	30.00	4.00
GR91	$d_N + 6.00$	10.00	3.00				

**Table 217: Recommended Radii for Groove**

$d_N$	$r_{max}$
8 - 250	0.2
> 250	0.4

**Table 218: Radial Clearance  $S_1$  \***

Rod Diameter $d_N$	$S_1$ min	$S_1$ max
8 - 20	0.20	0.30
20 - 100	0.25	0.40
101 - 250	0.30	0.60
251 - 500	0.40	0.80
501 - 1,000	0.50	1.10
> 1,001	0.60	1.20

\* Specifications valid only in the area of the Slydring®, but not for the seal area.

**Table 219: Recommended Gap**

$d_N$	Ring Gap $Z_1$
12 - 40	1 - 1.5
41 - 149	1.5 - 2.5
> 150	2 - 4

**ORDERING EXAMPLE**

For Polypac Slydring® Ref. No. I/DWR 40/2  
Rod diameter  $d_N = 40.0$  mm:

<b>Groove Width:</b>	9.70 mm
<b>Ring Thickness:</b>	2.00 mm
<b>Material:</b>	HiMod® HM061 other materials see Table 185
<b>Standard Design:</b>	With angle cut Design code: 0

**Table 220: Surface Roughness**

Parameter	Mating Surface $\mu\text{m}$	Groove Surface $\mu\text{m}$
	HiMod® Materials	
$R_{\text{max}}$	1.00 - 4.00	< 16.0
$R_z$	0.63 - 2.50	< 10.0
$R_a$	0.10 - 0.40	< 2.5

**Note**

HM062 material can be ordered by replacing the HM061 material code in the TSS Article Number.

Please check with your local Customer Solution Center the availability and price of the HM062. This material may require new molds.

**TSS Article No. GR49 D 0400 - HM061**

TSS Series No. \_\_\_\_\_  
Design Code (Standard) \_\_\_\_\_  
Rod Diameter x 10 \_\_\_\_\_  
Quality Index (Standard) \_\_\_\_\_  
Material No. \_\_\_\_\_

**Table 221: Slydring® for Rod in HM061**

Dimensions				TSS Article No.	Polypac Ref. No.
Rod Diameter	Groove Diameter	Groove Width	Thickness		
$d_N$ h11	$D_2$ H8	$L_2$ +0.2	$W$		
12.0	16.0	9.7	2.00	GR49D0120-HM061	I/DWR 12/2-9.6
14.0	18.0	9.7	2.00	GR49D0140-HM061	I/DWR 14/2-9.6
15.0	19.0	9.7	2.00	GR49D0150-HM061	I/DWR 15/2-9.6
16.0	20.0	9.7	2.00	GR49D0160-HM061	I/DWR 16/2-9.6
18.0	22.0	9.7	2.00	GR49D0180-HM061	I/DWR 18/2-9.6
20.0	24.0	9.7	2.00	GR49D0200-HM061	I/DWR 20/2-9.6
22.0	26.0	9.7	2.00	GR49D0220-HM061	I/DWR 22/2-9.6
24.0	28.0	9.7	2.00	GR49D0240-HM061	I/DWR 24/2-9.6
25.0	29.0	9.7	2.00	GR49D0250-HM061	I/DWR 25/2-9.6
26.0	30.0	9.7	2.00	GR49D0260-HM061	I/DWR 26/2-9.6
27.0	31.0	9.7	2.00	GR49D0270-HM061	I/DWR 27/2-9.6
28.0	32.0	9.7	2.00	GR49D0280-HM061	I/DWR 28/2-9.6
30.0	34.0	9.7	2.00	GR49D0300-HM061	I/DWR 30/2-9.6
30.0	36.0	9.7	3.00	GRN1D0300-HM061	I/DWR 30/3-9.6
31.0	35.0	9.7	2.00	GR49D0310-HM061	I/DWR 31/2-9.6
32.0	36.0	9.7	2.00	GR49D0320-HM061	I/DWR 32/2-9.6



Dimensions				TSS Article No.	Polypac Ref. No.
Rod Diameter	Groove Diameter	Groove Width	Thickness		
$d_N$ h11	$D_2$ H8	$L_2$ +0.2	W		
34.0	38.0	9.7	2.00	GR49D0340-HM061	I/DWR 34/2-9.6
35.0	39.0	9.7	2.00	GR49D0350-HM061	I/DWR 35/2-9.6
35.0	41.0	9.7	3.00	GRN1D0350-HM061	I/DWR 35/3-9.6
35.0	39.0	12.8	2.00	GRN5D0350-HM061	I/DWR 35/2-12.8
36.0	40.0	9.7	2.00	GR49D0360-HM061	I/DWR 36/2-9.6
36.0	42.0	9.7	3.00	GRN1D0360-HM061	I/DWR 36/3-9.6
37.0	41.0	9.7	2.00	GR49D0370-HM061	I/DWR 37/2-9.6
38.0	42.0	9.7	2.00	GR49D0380-HM061	I/DWR 38/2-9.6
40.0	44.0	9.7	2.00	GR49D0400-HM061	I/DWR 40/2-9.6
40.0	46.0	9.7	3.00	GRN1D0400-HM061	I/DWR 40/3-9.6
40.0	46.0	12.8	3.00	GRN3D0400-HM061	I/DWR 40/3-12.8
42.0	46.0	9.7	2.00	GR49D0420-HM061	I/DWR 42/2-9.6
42.0	48.0	9.7	3.00	GRN1D0420-HM061	I/DWR 42/3-9.6
44.0	50.0	9.7	3.00	GRN1D0440-HM061	I/DWR 44/3-9.6
45.0	51.0	9.7	3.00	GRN1D0450-HM061	I/DWR 45/3-9.6
45.0	51.0	12.8	3.00	GRN3D0450-HM061	I/DWR 45/3-12.8
46.0	50.0	9.7	2.00	GR49D0460-HM061	I/DWR 46/2-9.6
46.0	52.0	9.7	3.00	GRN1D0460-HM061	I/DWR 46/3-9.6
47.0	53.0	9.7	3.00	GRN1D0470-HM061	I/DWR 47/3-9.6
48.0	54.0	9.7	3.00	GRN1D0480-HM061	I/DWR 48/3-9.6
48.0	52.0	12.8	2.00	GRN5D0480-HM061	I/DWR 48/2-12.8
50.0	54.0	9.7	2.00	GR49D0500-HM061	I/DWR 50/2-9.6
50.0	56.0	9.7	3.00	GRN1D0500-HM061	I/DWR 50/3-9.6
50.0	56.0	12.8	3.00	GRN3D0500-HM061	I/DWR 50/3-12.8
52.0	58.0	9.7	3.00	GRN1D0520-HM061	I/DWR 52/3-9.6
53.0	59.0	9.7	3.00	GRN1D0530-HM061	I/DWR 53/3-9.6
54.0	60.0	9.7	3.00	GRN1D0540-HM061	I/DWR 54/3-9.6
54.0	60.0	12.8	3.00	GRN3D0540-HM061	I/DWR 54/3-12.8
55.0	59.0	9.7	2.00	GR49D0550-HM061	I/DWR 55/2-9.6
55.0	61.0	9.7	3.00	GRN1D0550-HM061	I/DWR 55/3-9.6
55.0	61.0	12.8	3.00	GRN3D0550-HM061	I/DWR 55/3-12.8
56.0	62.0	9.7	3.00	GRN1D0560-HM061	I/DWR 56/3-9.6
56.0	62.0	12.8	3.00	GRN3D0560-HM061	I/DWR 56/3-12.8
58.0	64.0	12.8	3.00	GRN3D0580-HM061	I/DWR 58/3-12.8
60.0	64.0	9.7	2.00	GR49D0600-HM061	I/DWR 60/2-9.6
60.0	66.0	9.7	3.00	GRN1D0600-HM061	I/DWR 60/3-9.6
60.0	66.0	12.8	3.00	GRN3D0600-HM061	I/DWR 60/3-12.8
61.0	67.0	12.8	3.00	GRN3D0610-HM061	I/DWR 61/3-12.8
62.0	68.0	12.8	3.00	GRN3D0620-HM061	I/DWR 62/3-12.8
63.0	69.0	12.8	3.00	GRN3D0630-HM061	I/DWR 63/3-12.8



Dimensions				TSS Article No.	Polypac Ref. No.
Rod Diameter	Groove Diameter	Groove Width	Thickness		
$d_N$ h11	$D_2$ H8	$L_2$ +0.2	W		
65.0	71.0	12.8	3.00	<a href="#">GRN3D0650-HM061</a>	I/DWR 65/3-12.8
66.0	72.0	12.8	3.00	<a href="#">GRN3D0660-HM061</a>	I/DWR 66/3-12.8
67.0	73.0	12.8	3.00	<a href="#">GRN3D0670-HM061</a>	I/DWR 67/3-12.8
69.0	75.0	12.8	3.00	<a href="#">GRN3D0690-HM061</a>	I/DWR 69/3-12.8
70.0	76.0	12.8	3.00	<a href="#">GRN3D0700-HM061</a>	I/DWR 70/3-12.8
70.0	76.0	19.2	3.00	<a href="#">GRN4D0700-HM061</a>	I/DWR 70/3-19.2
72.0	78.0	12.8	3.00	<a href="#">GRN3D0720-HM061</a>	I/DWR 72/3-12.8
73.0	79.0	12.8	3.00	<a href="#">GRN3D0730-HM061</a>	I/DWR 73/3-12.8
75.0	81.0	12.8	3.00	<a href="#">GRN3D0750-HM061</a>	I/DWR 75/3-12.8
75.0	81.0	19.2	3.00	<a href="#">GRN4D0750-HM061</a>	I/DWR 75/3-19.2
76.0	82.0	12.8	3.00	<a href="#">GRN3D0760-HM061</a>	I/DWR 76/3-12.8
78.0	84.0	12.8	3.00	<a href="#">GRN3D0780-HM061</a>	I/DWR 78/3-12.8
79.0	85.0	12.8	3.00	<a href="#">GRN3D0790-HM061</a>	I/DWR 79/3-12.8
80.0	86.0	12.8	3.00	<a href="#">GRN3D0800-HM061</a>	I/DWR 80/3-12.8
80.0	86.0	19.2	3.00	<a href="#">GRN4D0800-HM061</a>	I/DWR 80/3-19.2
82.0	88.0	12.8	3.00	<a href="#">GRN3D0820-HM061</a>	I/DWR 82/3-12.8
84.0	90.0	12.8	3.00	<a href="#">GRN3D0840-HM061</a>	I/DWR 84/3-12.8
85.0	91.0	12.8	3.00	<a href="#">GRN3D0850-HM061</a>	I/DWR 85/3-12.8
85.0	91.0	19.2	3.00	<a href="#">GRN4D0850-HM061</a>	I/DWR 85/3-19.2
86.0	92.0	12.8	3.00	<a href="#">GRN3D0860-HM061</a>	I/DWR 86/3-12.8
88.0	94.0	12.8	3.00	<a href="#">GRN3D0880-HM061</a>	I/DWR 88/3-12.8
90.0	96.0	12.8	3.00	<a href="#">GRN3D0900-HM061</a>	I/DWR 90/3-12.8
90.0	96.0	19.2	3.00	<a href="#">GRN4D0900-HM061</a>	I/DWR 90/3-19.2
91.0	97.0	12.8	3.00	<a href="#">GRN3D0910-HM061</a>	I/DWR 91/3-12.8
92.0	98.0	12.8	3.00	<a href="#">GRN3D0920-HM061</a>	I/DWR 92/3-12.8
93.0	99.0	12.8	3.00	<a href="#">GRN3D0930-HM061</a>	I/DWR 93/3-12.8
95.0	101.0	12.8	3.00	<a href="#">GRN3D0950-HM061</a>	I/DWR 95/3-12.8
95.0	101.0	19.2	3.00	<a href="#">GRN4D0950-HM061</a>	I/DWR 95/3-19.2
96.0	102.0	12.8	3.00	<a href="#">GRN3D0960-HM061</a>	I/DWR 96/3-12.8
97.0	103.0	12.8	3.00	<a href="#">GRN3D0970-HM061</a>	I/DWR 97/3-12.8
98.0	104.0	12.8	3.00	<a href="#">GRN3D0980-HM061</a>	I/DWR 98/3-12.8
99.0	105.0	12.8	3.00	<a href="#">GRN3D0990-HM061</a>	I/DWR 99/3-12.8
99.0	105.0	19.2	3.00	<a href="#">GRN4D0990-HM061</a>	I/DWR 99/3-19.2
100.0	106.0	12.8	3.00	<a href="#">GRN3D1000-HM061</a>	I/DWR 100/3-12.8
100.0	106.0	19.2	3.00	<a href="#">GRN4D1000-HM061</a>	I/DWR 100/3-19.2
101.0	107.0	12.8	3.00	<a href="#">GRN3D1010-HM061</a>	I/DWR 101/3-12.8
105.0	111.0	12.8	3.00	<a href="#">GRN3D1050-HM061</a>	I/DWR 105/3-12.8
105.0	111.0	19.2	3.00	<a href="#">GRN4D1050-HM061</a>	I/DWR 105/3-19.2
106.0	112.0	19.2	3.00	<a href="#">GRN4D1060-HM061</a>	I/DWR 106/3-19.2
107.0	113.0	12.8	3.00	<a href="#">GRN3D1070-HM061</a>	I/DWR 107/3-12.8



Dimensions				TSS Article No.	Polypac Ref. No.
Rod Diameter	Groove Diameter	Groove Width	Thickness		
$d_N$ h11	$D_2$ H8	$L_2$ +0.2	W		
109.0	115.0	12.8	3.00	GRN3D1090-HM061	I/DWR 109/3-12.8
110.0	116.0	12.8	3.00	GRN3D1100-HM061	I/DWR 110/3-12.8
113.0	119.0	12.8	3.00	GRN3D1130-HM061	I/DWR 113/3-12.8
115.0	121.0	12.8	3.00	GRN3D1150-HM061	I/DWR 115/3-12.8
115.0	121.0	19.2	3.00	GRN4D1150-HM061	I/DWR 115/3-19.2
117.0	123.0	12.8	3.00	GRN3D1170-HM061	I/DWR 117/3-12.8
118.0	124.0	12.8	3.00	GRN3D1180-HM061	I/DWR 118/3-12.8
120.0	126.0	12.8	3.00	GRN3D1200-HM061	I/DWR 120/3-12.8
120.0	126.0	19.2	3.00	GRN4D1200-HM061	I/DWR 120/3-19.2
123.0	129.0	12.8	3.00	GRN3D1230-HM061	I/DWR 123/3-12.8
125.0	131.0	12.8	3.00	GRN3D1250-HM061	I/DWR 125/3-12.8
125.0	131.0	19.2	3.00	GRN4D1250-HM061	I/DWR 125/3-19.2
126.0	132.0	12.8	3.00	GRN3D1260-HM061	I/DWR 126/3-12.8
127.0	133.0	12.8	3.00	GRN3D1270-HM061	I/DWR 127/3-12.8
129.0	135.0	19.2	3.00	GRN4D1290-HM061	I/DWR 129/3-19.2
130.0	136.0	12.8	3.00	GRN3D1300-HM061	I/DWR 130/3-12.8
131.0	137.0	12.8	3.00	GRN3D1310-HM061	I/DWR 131/3-12.8
132.0	138.0	12.8	3.00	GRN3D1320-HM061	I/DWR 132/3-12.8
135.0	141.0	12.8	3.00	GRN3D1350-HM061	I/DWR 135/3-12.8
138.0	144.0	12.8	3.00	GRN3D1380-HM061	I/DWR 138/3-12.8
139.0	145.0	19.2	3.00	GRN4D1390-HM061	I/DWR 139/3-19.2
140.0	146.0	12.8	3.00	GRN3D1400-HM061	I/DWR 140/3-12.8
141.0	147.0	12.0	3.00	GR92D1410-HM061	I/DWR 141/3-12.0
141.0	147.0	12.8	3.00	GRN3D1410-HM061	I/DWR 141/3-12.8
141.0	147.0	19.2	3.00	GRN4D1410-HM061	I/DWR 141/3-19.2
142.0	148.0	12.8	3.00	GRN3D1420-HM061	I/DWR 142/3-12.8
143.0	149.0	12.8	3.00	GRN3D1430-HM061	I/DWR 143/3-12.8
145.0	151.0	12.8	3.00	GRN3D1450-HM061	I/DWR 145/3-12.8
145.0	151.0	19.2	3.00	GRN4D1450-HM061	I/DWR 145/3-19.2
148.0	154.0	12.8	3.00	GRN3D1480-HM061	I/DWR 148/3-12.8
150.0	156.0	12.8	3.00	GRN3D1500-HM061	I/DWR 150/3-12.8
150.0	156.0	19.2	3.00	GRN4D1500-HM061	I/DWR 150/3-19.2
152.0	158.0	12.8	3.00	GRN3D1520-HM061	I/DWR 152/3-12.8
152.0	158.0	19.2	3.00	GRN4D1520-HM061	I/DWR 152/3-19.2
154.0	160.0	19.2	3.00	GRN4D1540-HM061	I/DWR 154/3-19.2
155.0	161.0	19.2	3.00	GRN4D1550-HM061	I/DWR 155/3-19.2
160.0	166.0	19.2	3.00	GRN4D1600-HM061	I/DWR 160/3-19.2
162.0	168.0	19.2	3.00	GRN4D1620-HM061	I/DWR 162/3-19.2
163.0	169.0	19.2	3.00	GRN4D1630-HM061	I/DWR 163/3-19.2
165.0	171.0	19.2	3.00	GRN4D1650-HM061	I/DWR 165/3-19.2



Dimensions				TSS Article No.	Polypac Ref. No.
Rod Diameter	Groove Diameter	Groove Width	Thickness		
$d_N$ h11	$D_2$ H8	$L_2$ +0.2	$W$		
170.0	176.0	19.2	3.00	<a href="#">GRN4D1700-HM061</a>	I/DWR 170/3-19.2
173.0	179.0	19.2	3.00	<a href="#">GRN4D1730-HM061</a>	I/DWR 173/3-19.2
175.0	181.0	19.2	3.00	<a href="#">GRN4D1750-HM061</a>	I/DWR 175/3-19.2
180.0	186.0	12.8	3.00	<a href="#">GRN3D1800-HM061</a>	I/DWR 180/3-12.8
180.0	186.0	19.2	3.00	<a href="#">GRN4D1800-HM061</a>	I/DWR 180/3-19.2
183.0	189.0	19.2	3.00	<a href="#">GRN4D1830-HM061</a>	I/DWR 183/3-19.2
184.0	190.0	19.2	3.00	<a href="#">GRN4D1840-HM061</a>	I/DWR 184/3-19.2
185.0	191.0	19.2	3.00	<a href="#">GRN4D1850-HM061</a>	I/DWR 185/3-19.2
190.0	196.0	19.2	3.00	<a href="#">GRN4D1900-HM061</a>	I/DWR 190/3-19.2
195.0	201.0	19.2	3.00	<a href="#">GRN4D1950-HM061</a>	I/DWR 195/3-19.2
196.0	202.0	19.2	3.00	<a href="#">GRN4D1960-HM061</a>	I/DWR 196/3-19.2
198.0	204.0	19.2	3.00	<a href="#">GRN4D1980-HM061</a>	I/DWR 198/3-19.2
200.0	206.0	19.2	3.00	<a href="#">GRN4D2000-HM061</a>	I/DWR 200/3-19.2
205.0	211.0	19.2	3.00	<a href="#">GRN4D2050-HM061</a>	I/DWR 205/3-19.2
210.0	216.0	19.2	3.00	<a href="#">GRN4D2100-HM061</a>	I/DWR 210/3-19.2
215.0	221.0	19.2	3.00	<a href="#">GRN4D2150-HM061</a>	I/DWR 215/3-19.2
220.0	226.0	19.2	3.00	<a href="#">GRN4D2200-HM061</a>	I/DWR 220/3-19.2
225.0	231.0	19.2	3.00	<a href="#">GRN4D2250-HM061</a>	I/DWR 225/3-19.2
230.0	236.0	19.2	3.00	<a href="#">GRN4D2300-HM061</a>	I/DWR 230/3-19.2
231.0	237.0	19.2	3.00	<a href="#">GRN4D2310-HM061</a>	I/DWR 231/3-19.2
235.0	241.0	19.2	3.00	<a href="#">GRN4D2350-HM061</a>	I/DWR 235/3-19.2
240.0	246.0	19.2	3.00	<a href="#">GRN4D2400-HM061</a>	I/DWR 240/3-19.2
245.0	251.0	19.2	3.00	<a href="#">GRN4D2450-HM061</a>	I/DWR 245/3-19.2
248.0	254.0	19.2	3.00	<a href="#">GRN4D2480-HM061</a>	I/DWR 248/3-19.2
250.0	256.0	19.2	3.00	<a href="#">GRN4D2500-HM061</a>	I/DWR 250/3-19.2
254.0	260.0	19.2	3.00	<a href="#">GRN4D2540-HM061</a>	I/DWR 254/3-19.2
255.0	261.0	19.2	3.00	<a href="#">GRN4D2550-HM061</a>	I/DWR 255/3-19.2
260.0	266.0	19.2	3.00	<a href="#">GRN4D2600-HM061</a>	I/DWR 260/3-19.2
265.0	271.0	19.2	3.00	<a href="#">GRN4D2650-HM061</a>	I/DWR 265/3-19.2
270.0	276.0	19.2	3.00	<a href="#">GRN4D2700-HM061</a>	I/DWR 270/3-19.2
275.0	281.0	19.2	3.00	<a href="#">GRN4D2750-HM061</a>	I/DWR 275/3-19.2
280.0	286.0	19.2	3.00	<a href="#">GRN4D2800-HM061</a>	I/DWR 280/3-19.2
285.0	291.0	19.2	3.00	<a href="#">GRN4D2850-HM061</a>	I/DWR 285/3-19.2
290.0	296.0	19.2	3.00	<a href="#">GRN4D2900-HM061</a>	I/DWR 290/3-19.2
295.0	301.0	19.2	3.00	<a href="#">GRN4D2950-HM061</a>	I/DWR 295/3-19.2
300.0	306.0	19.2	3.00	<a href="#">GRN4D3000-HM061</a>	I/DWR 300/3-19.2



## ■ Orkot® Slydring® for Piston and Rod

### DESCRIPTION

Orkot® Slydring® are manufactured from fabric-reinforced composite material using a woven fabric and thermoset resins, incorporating evenly dispersed solid lubricants. Orkot® is recommended for use in hydraulic cylinders exposed to high loads, such as in mobile hydraulics or presses. High compressive strength, good sliding behavior and exceptional wear resistance ensure a long service life.

### DESIGN

Orkot® Slydring® is manufactured from either tubular or strip material cut to the right size, including an angle cut gap with the necessary width. For large diameters, > 300 mm, rings can be cut from Orkot® C320, C380 or C480 strip material. This offers economical solutions for non-standard diameters or when quantities are limited.

### ADVANTAGES

- Dimensionally stable
- Vibration absorbing
- Even distribution of high radial forces
- Good sliding and dry running properties
- High wear resistance
- Long service life
- Versatile
- Can be used with wide range of media
- Stock availability

### APPLICATION EXAMPLES

Orkot® Slydring is widely used as a bearing element for heavy duty hydraulic equipment, such as:

- Hydraulic actuators
- Mobile hydraulics
- Excavators
- Construction equipment
- Forrestry machinery
- Mining

- Steel mills
- Presses
- Water locks
- Marine engineering
- Oil and gas

### MATERIALS

#### Orkot® C380

Orkot® C380 is a turquoise colored, versatile Slydring® material with enhanced sliding properties in various hydraulic media, such as mineral or synthetic oils, as well as water based fluids. It is good at damping vibrations, it offers long service life, low friction and is suitable for all commonly used counter surfaces. C380 is the first choice for most applications.

#### Orkot® C480

Orkot® C480 is an evolutionary development of the established C380. A finely dispersed mix of solid lubricants improve the static and dynamic coefficient of friction therefore reducing or removing the effect of stick-slip. A strong affinity with hydraulic fluid improves its potential to operate when marginally lubricated.

#### Orkot® C320

Orkot® C320 has been the historic choice for hydraulic applications. The woven fabric reinforced thermoset composite with lubricant additives has a very high resistance to wear, good dry-running properties and dampens vibrations.

#### Orkot® C932

Orkot® C932 is a composite made from a fine weave cotton fabric impregnated with a phenolic resin. The material stiffness is greater than other Orkot® Slydring materials. Use of C932 in water-based fluids is not recommended.

**Table 222: Orkot® Grade and Color**

Orkot Grade	Color
C380	Turquoise
C480	White
C320	Dark gray
C932	Yellow-brown





## OPERATING CONDITIONS

<b>Velocity:</b>	Exceeding 1m/s with reciprocating movements
<b>Temperature:</b>	-40 °C to +120 °C
<b>Pressure Under Dynamic Conditions:</b>	max. 100 N/mm <sup>2</sup> at +25 °C max. 50 N/mm <sup>2</sup> > +60 °C
<b>Ultimate Compressive Strength:</b>	max. > 300 N/mm <sup>2</sup> (C380, C480, C320) max. 260 N/mm <sup>2</sup> (C932)

### IMPORTANT NOTE

The above stated limits for pressure and speed are maximum values. Friction heat generated by the combination of pressure and speed may cause local heat build-up. Care should be taken not to apply high values for pressure and speed at the same time.

**Table 223: Serial Numbers for Orkot® Slydring®, ready-to-fit**

Piston Serial No.	Rod Serial No.	Groove Width	Ring Thickness
GP41	GR41	2.5	1.55
<b>GP43</b>	<b>GR43</b>	<b>4.0</b>	<b>1.55</b>
GP47	GR47	6.3	2.00
GP48	GR48	8.1	2.00
GP49	GR49	9.7	2.00
GP51	GR51	10.0	2.00
GP53	GR53	15.0	2.00
GP64	GR64	4.2	2.50
<b>GP65</b>	<b>GR65</b>	<b>5.6</b>	<b>2.50</b>
GP67	GR67	6.3	2.50
GP68	GR68	8.1	2.50
<b>GP69</b>	<b>GR69</b>	<b>9.7</b>	<b>2.50</b>
<b>GP73</b>	<b>GR73</b>	<b>15.0</b>	<b>2.50</b>
GP74	GR74	20.0	2.50
<b>GP75</b>	<b>GR75</b>	<b>25.0</b>	<b>2.50</b>
GP76	GR76	30.0	2.50
GP77	GR77	35.0	2.50
GP93	GR93	15.0	3.00
GP94	GR94	20.0	3.00
GP95	GR95	25.0	3.00
GP96	GR96	30.0	3.00
GP99	GR99	9.7	4.00
GPL2	GRL2	15.0	4.00
GPL3	GRL3	20.0	4.00
<b>GP98</b>	<b>GR98</b>	<b>25.0</b>	<b>4.00</b>
GPL5	GRL5	30.0	4.00
GPL7	GRL7	40.0	4.00
GPL9	GRL9	50.0	4.00

Note that customer specific sizes can be supplied without tooling costs.





**Table 224: Part numbers for Orkot® Slydring® Coiled Strip, to cut to length**

Ring Thickness	Groove Width	Part Number			
		2 meter	3 meter	5 meter	10 meter
2.50	5.6	GM65A2000-C380	-	-	-
2.50	9.7	GM69A2000-C380	GM69A3000-C380	GM69A5000-C380	GM69X0010-C380
2.50	15.0	GM73A2000-C380	GM73A3000-C380	GM73A5000-C380	GM73X0010-C380
2.50	20.0	GM74A2000-C380	GM74A3000-C380	GM74A5000-C380	GM74X0010-C380
2.50	25.0	GM75A2000-C380	GM75A3000-C380	GM75A5000-C380	GM75X0010-C380
2.50	30.0	GM76A2000-C380	GM76A3000-C380	GM76A5000-C380	GM76X0010-C380
2.50	35.0	GM77A2000-C380	GM77A3000-C380	GM77A5000-C380	GM77X0010-C380
2.50	40.0	GM78A2000-C380	GM78A3000-C380	GM78A5000-C380	GM78X0010-C380
2.50	45.0	GM79A2000-C380	GM79A3000-C380	GM79A5000-C380	GM79X0010-C380
3.00	20.0	GM94A2000-C380	GM94A3000-C380	GM94A5000-C380	GM94X0010-C380
3.00	25.0	GM95A2000-C380	GM95A3000-C380	GM95A5000-C380	GM95X0010-C380
3.00	30.0	GM96A2000-C380	GM96A3000-C380	GM96A5000-C380	GM96X0010-C380
4.00	15.0	GML2A2000-C380	GML2A3000-C380	GML2A5000-C380	GML2X0010-C380
4.00	20.0	GML3A2000-C380	GML3A3000-C380	GML3A5000-C380	GML3X0010-C380
4.00	25.0	GM98A2000-C380	GM98A3000-C380	GM98A5000-C380	GM98X0010-C380
4.00	30.0	GML5A2000-C380	GML5A3000-C380	GML5A5000-C380	GML5X0010-C380
4.00	40.0	GML7A2000-C380	GML7A3000-C380	GML7A5000-C380	GML7X0010-C380
4.00	50.0	GML9A2000-C380	GML9A3000-C380	GML9A5000-C380	GML9X0010-C380

Standard available grades: C380 and C480. Replace material code to C480, for example: GM73X0010-C480.  
Strip with a thickness of 2.50 mm is coiled with an outer diameter of 300 mm, 3 and 4 mm is coiled with a diameter of 700 mm.

**INSTALLATION RECOMMENDATION**

In order to protect the seal and guide system against ingress of foreign particles, we recommend the use of Turcite® Slydring® in combination with Orkot® Slydring®. The larger face area of these rings (Series GP99 from Table 188) embeds the contaminant particles, when present in the system, and keeps them away from the actual guides and seals (Figure 222). Reducing the piston diameter at both ends allows the particles to become embedded on the face side.

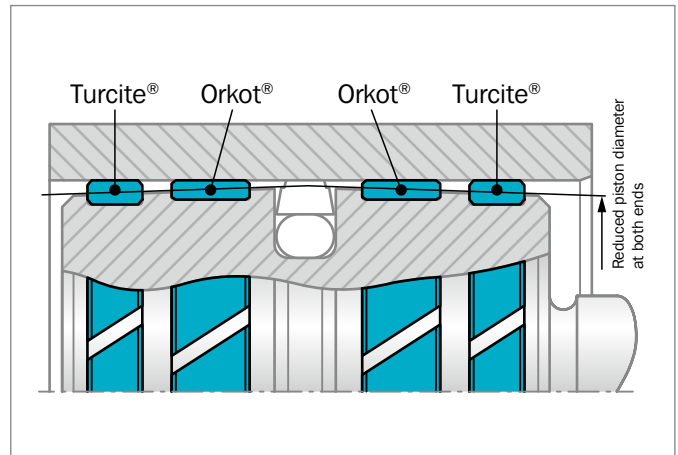


Figure 222: Arrangement of the Slydring® on the piston



## ■ Installation Recommendation, Orkot® Slydring® for Piston According to ISO 10766 Groove Dimension

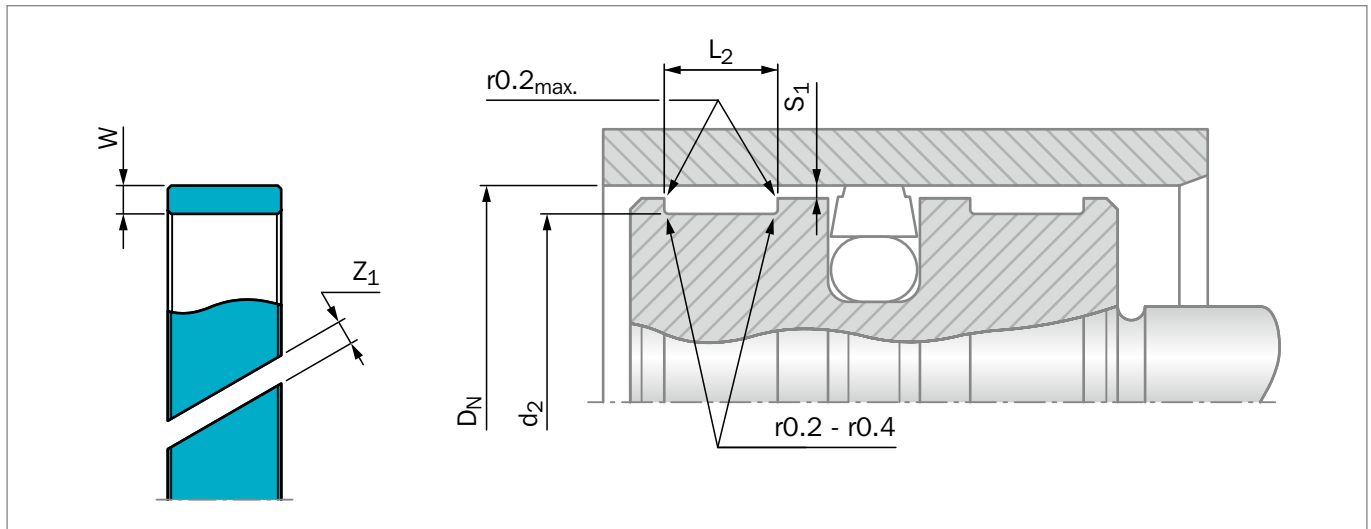


Figure 223: Installation Drawing

**Table 225: Installation Dimensions**

Serial No.	Bore Diameter*	Groove Diameter	Groove Width	Ring Thickness	Ring Gap**
	$D_N$ H9	$d_2$ h8	$L_2$ +0.2	$W$	$Z_1$
GP43	16 - 50.0	$D_N - 3.10$	4.00	1.55	1 - 3
GP65	16 - 125.0	$D_N - 5.00$	5.60	2.50	2 - 6
GP69	25 - 250.0	$D_N - 5.00$	9.70	2.50	2 - 9
GP73	80 - 500.0	$D_N - 5.00$	15.00	2.50	4 - 17
GP75	125 - 999.9	$D_N - 5.00$	25.00	2.50	6 - 33
GP75X	1,000 - 1,500.0	$D_N - 5.00$	25.00	2.50	33 - 48
GP98	280 - 999.9	$D_N - 8.00$	25.00	4.00	10 - 33
GP98X	1,000 - 1,500.0	$D_N - 8.00$	25.00	4.00	33 - 48

\* Recommended diameter ranges.

\*\* see Figure 224

For Slydring® to other standards, for example French standard NF E 48-037, please contact your local Customer Solution Center.

### RADIAL CLEARANCE $S_1$

The minimum radial gap is calculated taking into account:

- The fitting tolerances of the hardware
- The tolerance on the ring thickness
- An allowance for wear
- In case of high radial loads an allowance for elastic deformation
- A safety margin to avoid metal-to-metal contact

The gaps  $S_1$  can be chosen larger than near to the seal (attention: take care of gap dimension for the seal) thus allowing slight tilting of the piston, still without metal-to-metal contact.

It also allows foreign particles to be wiped away by the Slydring® rather than being squeezed between the metal components. The slot ' $Z_1$ ' allows fluid to pass across the ring thus preventing fluid pressure build-up which might cause extrusion of the guide ring. To ensure the ring cannot escape out of the groove it is recommended to observe the following radial gap sizes as maximum values:

- 0.50 mm for GP43 (1.55 mm thickness)
- 0.90 mm for GP65 to GP75 (2.50 mm thickness)
- 1.50 mm for GP98 and GP98X (4.00 mm thickness)



**Table 226: Recommended Radii for Groove**

$D_N$	$r_{max}$
8 - 250	0.2
> 250	0.4

**Table 227: Surface Roughness**

Parameter	Mating Surface $\mu m$	Groove Surface $\mu m$
$R_{max}$	1.00 - 4.00	< 16.0
$R_z$	0.63 - 2.50	< 10.0
$R_a$	0.10 - 0.40	< 2.5

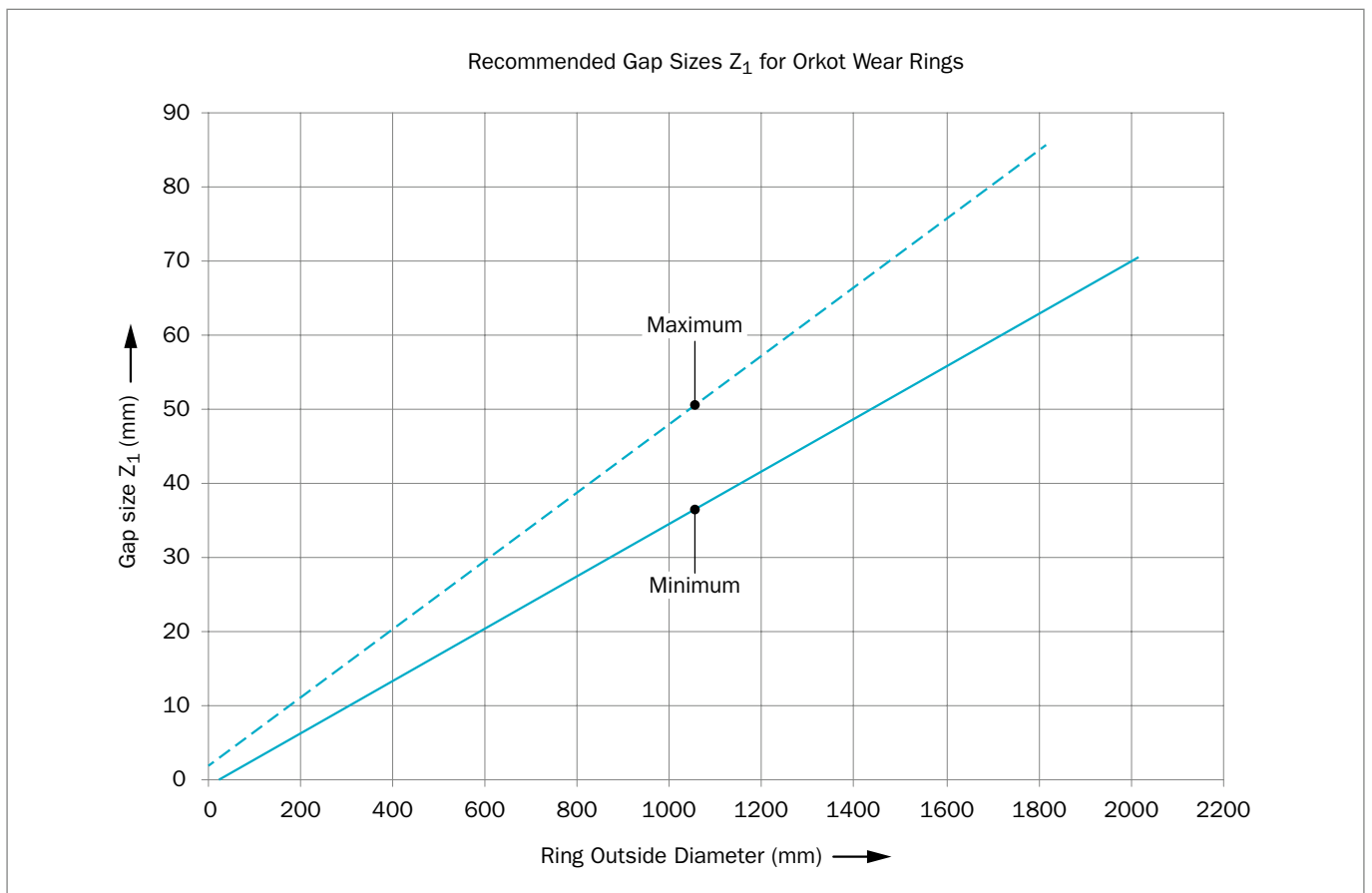


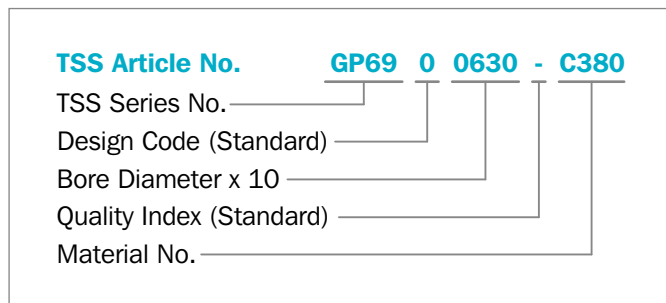
Figure 224: Recommended Gap Sizes  $Z_1$  for Orkot Wear Ring



## ORDERING EXAMPLE

Slydring® for bore diameter  $D_N = 63.0$  mm  
Series GP69 from Table 225

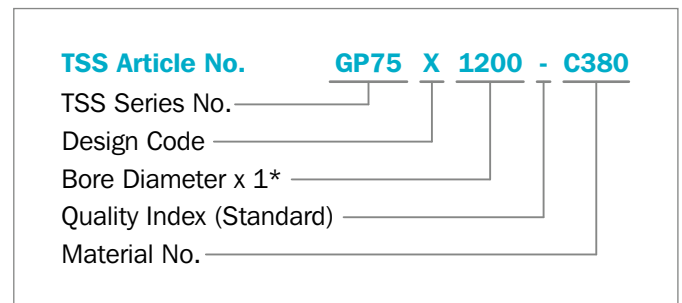
<b>Groove Width:</b>	9.70 mm
<b>Ring Thickness:</b>	2.50 mm
<b>Material:</b>	Orkot® C380 other materials see Table 185
<b>Standard Design:</b>	With angle cut Design code: 0
<b>TSS Part No.:</b>	GP6900630 from Table 228



## ORDERING EXAMPLE FOR DIAMETER > 1000 MM

Slydring® for bore diameter  $D_N = 1,200.0$  mm  
Series GP75X from Table 225

<b>Groove Width:</b>	25.00 mm
<b>Ring Thickness:</b>	2.50 mm
<b>Material:</b>	Orkot® C380 other materials see Table 185
<b>Standard Design:</b>	With angle cut Design code: X
<b>TSS Part No.:</b>	GP75X1200 from Table 228



\* For diameters  $\geq 1,000$  mm multiply only by factor 1.

### Please Note

Orkot® Slydring® for pistons can be used as rod guide ring, taking in account that the part number references the piston or rod diameter.

Example:

**GP69 0 1000 - C380**

is identical and can be replaced with

**GR69 0 0950 - C380**

**Table 228: Slydring® for Piston**

Dimensions				TSS Part No.
Bore Diameter	Groove Diameter	Groove Width	Thickness	
$D_N$ H9	$d_2$ h8	$L_2$ +0.2	$W$	
<b>16.0</b>	<b>11.0</b>	<b>5.6</b>	<b>2.50</b>	<b>GP6500160</b>
18.0	13.0	5.6	2.50	GP6500180
<b>20.0</b>	<b>15.0</b>	<b>5.6</b>	<b>2.50</b>	<b>GP6500200</b>
22.0	17.0	5.6	2.50	GP6500220
<b>25.0</b>	<b>20.0</b>	<b>5.6</b>	<b>2.50</b>	<b>GP6500250</b>
25.0	20.0	9.7	2.50	GP6900250



Dimensions				TSS Part No.
Bore Diameter	Groove Diameter	Groove Width	Thickness	
$D_N$ H9	$d_2$ h8	$L_2$ +0.2	$W$	
27.0	22.0	5.6	2.50	GP6500270
28.0	23.0	5.6	2.50	GP6500280
30.0	25.0	9.7	2.50	GP6900300
32.0	28.9	4.0	1.55	GP4300320
<b>32.0</b>	<b>27.0</b>	<b>5.6</b>	<b>2.50</b>	<b>GP6500320</b>
<b>32.0</b>	<b>27.0</b>	<b>9.7</b>	<b>2.50</b>	<b>GP6900320</b>
33.0	28.0	5.6	2.50	GP6500330
35.0	30.0	5.6	2.50	GP6500350
35.0	30.0	9.7	2.50	GP6900350
36.0	31.0	5.6	2.50	GP6500360
36.0	31.0	9.7	2.50	GP6900360
37.0	32.0	9.7	2.50	GP6900370
<b>40.0</b>	<b>36.9</b>	<b>4.0</b>	<b>1.55</b>	<b>GP4300400</b>
<b>40.0</b>	<b>35.0</b>	<b>5.6</b>	<b>2.50</b>	<b>GP6500400</b>
40.0	35.0	9.7	2.50	GP6900400
41.0	36.0	5.6	2.50	GP6500410
41.0	36.0	9.7	2.50	GP6900410
42.0	37.0	5.6	2.50	GP6500420
44.0	39.0	5.6	2.50	GP6500440
45.0	40.0	5.6	2.50	GP6500450
45.0	40.0	9.7	2.50	GP6900450
46.0	41.0	9.7	2.50	GP6900460
48.0	43.0	5.6	2.50	GP6500480
<b>50.0</b>	<b>45.0</b>	<b>5.6</b>	<b>2.50</b>	<b>GP6500500</b>
50.0	45.0	9.7	2.50	GP6900500
51.0	46.0	9.7	2.50	GP6900510
51.0	46.0	15.0	2.50	GP7300510
52.0	47.0	5.6	2.50	GP6500520
53.0	48.0	5.6	2.50	GP6500530
55.0	50.0	5.6	2.50	GP6500550
55.0	50.0	9.7	2.50	GP6900550
58.0	53.0	5.6	2.50	GP6500580
60.0	55.0	5.6	2.50	GP6500600
60.0	55.0	9.7	2.50	GP6900600
61.0	56.0	5.6	2.50	GP6500610
62.0	57.0	5.6	2.50	GP6500620
62.0	56.0	9.7	2.50	GP6900610
<b>63.0</b>	<b>58.0</b>	<b>5.6</b>	<b>2.50</b>	<b>GP6500630</b>
<b>63.0</b>	<b>58.0</b>	<b>9.7</b>	<b>2.50</b>	<b>GP6900630</b>
65.0	60.0	5.6	2.50	GP6500650



Dimensions				TSS Part No.
Bore Diameter	Groove Diameter	Groove Width	Thickness	
$D_N$ H9	$d_2$ h8	$L_2$ +0.2	$W$	
65.0	60.0	9.7	2.50	GP6900650
68.0	63.0	5.6	2.50	GP6500680
68.0	63.0	9.7	2.50	GP6900680
70.0	65.0	5.6	2.50	GP6500700
70.0	65.0	9.7	2.50	GP6900700
74.0	69.0	5.6	2.50	GP6500740
75.0	70.0	5.6	2.50	GP6500750
75.0	70.0	9.7	2.50	GP6900750
<b>80.0</b>	<b>75.0</b>	<b>5.6</b>	<b>2.50</b>	<b>GP6500800</b>
<b>80.0</b>	<b>75.0</b>	<b>9.7</b>	<b>2.50</b>	<b>GP6900800</b>
<b>80.0</b>	<b>75.0</b>	<b>25.0</b>	<b>2.50</b>	<b>GP7500800</b>
85.0	80.0	5.6	2.50	GP6500850
85.0	80.0	9.7	2.50	GP6900850
90.0	85.0	5.6	2.50	GP6500900
90.0	85.0	9.7	2.50	GP6900900
95.0	90.0	5.6	2.50	GP6500950
95.0	90.0	9.7	2.50	GP6900950
<b>100.0</b>	<b>95.0</b>	<b>5.6</b>	<b>2.50</b>	<b>GP6501000</b>
<b>100.0</b>	<b>95.0</b>	<b>9.7</b>	<b>2.50</b>	<b>GP6901000</b>
<b>100.0</b>	<b>95.0</b>	<b>15.0</b>	<b>2.50</b>	<b>GP7301000</b>
<b>100.0</b>	<b>95.0</b>	<b>25.0</b>	<b>2.50</b>	<b>GP7501000</b>
105.0	100.0	5.6	2.50	GP6501050
105.0	100.0	9.7	2.50	GP6901050
110.0	105.0	9.7	2.50	GP6901100
115.0	110.0	9.7	2.50	GP6901150
120.0	115.0	9.7	2.50	GP6901200
120.0	115.0	15.0	2.50	GP7301200
<b>125.0</b>	<b>120.0</b>	<b>5.6</b>	<b>2.50</b>	<b>GP6501250</b>
<b>125.0</b>	<b>120.0</b>	<b>9.7</b>	<b>2.50</b>	<b>GP6901250</b>
<b>125.0</b>	<b>120.0</b>	<b>15.0</b>	<b>2.50</b>	<b>GP7301250</b>
<b>125.0</b>	<b>120.0</b>	<b>25.0</b>	<b>2.50</b>	<b>GP7501250</b>
130.0	125.0	9.7	2.50	GP6901300
130.0	125.0	15.0	2.50	GP7301300
135.0	130.0	9.7	2.50	GP6901350
135.0	130.0	15.0	2.50	GP7301350
<b>140.0</b>	<b>135.0</b>	<b>9.7</b>	<b>2.50</b>	<b>GP6901400</b>
<b>140.0</b>	<b>135.0</b>	<b>15.0</b>	<b>2.50</b>	<b>GP7301400</b>
<b>140.0</b>	<b>135.0</b>	<b>25.0</b>	<b>2.50</b>	<b>GP7501400</b>
145.0	140.0	25.0	2.50	GP7501450
150.0	145.0	9.7	2.50	GP6901500



Dimensions				TSS Part No.
Bore Diameter	Groove Diameter	Groove Width	Thickness	
$D_N$ H9	$d_2$ h8	$L_2$ +0.2	$W$	
150.0	145.0	15.0	2.50	GP7301500
150.0	145.0	25.0	2.50	GP7501500
<b>160.0</b>	<b>155.0</b>	<b>9.7</b>	<b>2.50</b>	<b>GP6901600</b>
<b>160.0</b>	<b>155.0</b>	<b>15.0</b>	<b>2.50</b>	<b>GP7301600</b>
170.0	165.0	15.0	2.50	GP7301700
175.0	170.0	25.0	2.50	GP7501750
<b>180.0</b>	<b>175.0</b>	<b>9.7</b>	<b>2.50</b>	<b>GP6901800</b>
<b>180.0</b>	<b>175.0</b>	<b>15.0</b>	<b>2.50</b>	<b>GP7301800</b>
180.0	175.0	25.0	2.50	GP7501800
190.0	185.0	9.7	2.50	GP6901900
190.0	185.0	15.0	2.50	GP7301900
<b>200.0</b>	<b>195.0</b>	<b>9.7</b>	<b>2.50</b>	<b>GP6902000</b>
<b>200.0</b>	<b>195.0</b>	<b>15.0</b>	<b>2.50</b>	<b>GP7302000</b>
200.0	195.0	25.0	2.50	GP7502000
205.0	200.0	15.0	2.50	GP7302050
210.0	205.0	15.0	2.50	GP7302100
<b>220.0</b>	<b>215.0</b>	<b>9.7</b>	<b>2.50</b>	<b>GP6902200</b>
<b>220.0</b>	<b>215.0</b>	<b>15.0</b>	<b>2.50</b>	<b>GP7302200</b>
220.0	215.0	25.0	2.50	GP7502200
230.0	225.0	9.7	2.50	GP6902300
230.0	225.0	15.0	2.50	GP7302300
230.0	225.0	25.0	2.50	GP7502300
240.0	235.0	9.7	2.50	GP6902400
240.0	235.0	15.0	2.50	GP7302400
240.0	235.0	25.0	2.50	GP7502400
<b>250.0</b>	<b>245.0</b>	<b>9.7</b>	<b>2.50</b>	<b>GP6902500</b>
<b>250.0</b>	<b>245.0</b>	<b>15.0</b>	<b>2.50</b>	<b>GP7302500</b>
250.0	245.0	25.0	2.50	GP7502500
270.0	265.0	25.0	2.50	GP7502700
280.0	275.0	9.7	2.50	GP6902800
<b>280.0</b>	<b>275.0</b>	<b>15.0</b>	<b>2.50</b>	<b>GP7302800</b>
<b>280.0</b>	<b>272.0</b>	<b>25.0</b>	<b>4.00</b>	<b>GP9802800</b>
300.0	295.0	15.0	2.50	GP7303000
300.0	295.0	25.0	2.50	GP7503000
300.0	292.0	25.0	4.00	GP9803000
310.0	302.0	25.0	4.00	GP9803100
<b>320.0</b>	<b>315.0</b>	<b>15.0</b>	<b>2.50</b>	<b>GP7303200</b>
<b>320.0</b>	<b>315.0</b>	<b>25.0</b>	<b>2.50</b>	<b>GP7503200</b>
<b>320.0</b>	<b>312.0</b>	<b>25.0</b>	<b>4.00</b>	<b>GP9803200</b>
340.0	335.0	25.0	2.50	GP7503400



Dimensions				TSS Part No.
Bore Diameter	Groove Diameter	Groove Width	Thickness	
$D_N$ H9	$d_2$ h8	$L_2$ +0.2	$W$	
340.0	332.0	25.0	4.00	GP9803400
350.0	345.0	25.0	2.50	GP7503500
<b>360.0</b>	<b>355.0</b>	<b>15.0</b>	<b>2.50</b>	<b>GP7303600</b>
<b>360.0</b>	<b>355.0</b>	<b>25.0</b>	<b>2.50</b>	<b>GP7503600</b>
<b>360.0</b>	<b>352.0</b>	<b>25.0</b>	<b>4.00</b>	<b>GP9803600</b>
<b>400.0</b>	<b>395.0</b>	<b>15.0</b>	<b>2.50</b>	<b>GP7304000</b>
<b>400.0</b>	<b>395.0</b>	<b>25.0</b>	<b>2.50</b>	<b>GP7504000</b>
<b>400.0</b>	<b>392.0</b>	<b>25.0</b>	<b>4.00</b>	<b>GP9804000</b>
420.0	415.0	25.0	2.50	GP7504200
440.0	432.0	25.0	4.00	GP9804400
<b>450.0</b>	<b>445.0</b>	<b>15.0</b>	<b>2.50</b>	<b>GP7304500</b>
<b>450.0</b>	<b>445.0</b>	<b>25.0</b>	<b>2.50</b>	<b>GP7504500</b>
<b>450.0</b>	<b>442.0</b>	<b>25.0</b>	<b>4.00</b>	<b>GP9804500</b>
<b>500.0</b>	<b>495.0</b>	<b>15.0</b>	<b>2.50</b>	<b>GP7305000</b>
<b>500.0</b>	<b>495.0</b>	<b>25.0</b>	<b>2.50</b>	<b>GP7505000</b>
<b>500.0</b>	<b>492.0</b>	<b>25.0</b>	<b>4.00</b>	<b>GP9805000</b>
600.0	595.0	25.0	2.50	GP7506000
600.0	592.0	25.0	4.00	GP9806000
700.0	692.0	25.0	4.00	GP9807000
1,000.0	995.0	25.0	2.50	GP75X1000
1,000.0	992.0	25.0	4.00	GP98X1000
1,200.0	1,195.0	25.0	2.50	GP75X1200
1,500.0	1,495.0	25.0	2.50	GP75X1500

All sizes printed in **bold** type conform to ISO 10766 and should be preferred for use.

Additional sizes not covered by this list are also held in stock. Also please note that customer specific sizes can be supplied without tooling costs.





## ■ Installation Recommendation, Orkot® Slydring® for Rod According to ISO 10766 Groove Dimension

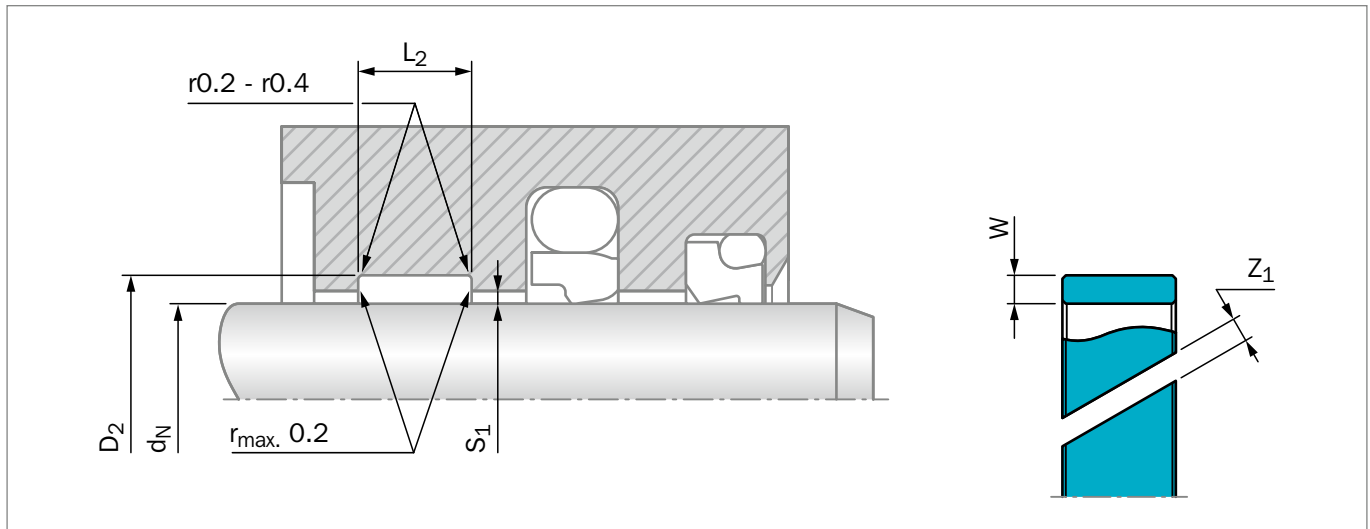


Figure 225: Installation Drawing

**Table 229: Installation Dimensions**

Serial No.	Rod Diameter*	Groove Diameter	Groove Width	Ring Thickness	Ring Gap**
	$d_N$ f8/h9	$D_2$ H8	$L_2$ +0.2	$W$	$Z_1$
GR43	8 - 100.0	$d_N + 3.10$	4.00	1.55	1 - 4
GR65	11 - 120.0	$d_N + 5.00$	5.60	2.50	1 - 6
GR69	15 - 250.0	$d_N + 5.00$	9.70	2.50	2 - 12
GR73	20 - 999.0	$d_N + 5.00$	15.00	2.50	2 - 39
GR75	20 - 999.9	$d_N + 5.00$	25.00	2.50	2 - 39
GR75X	1,000 - 3,000.0	$d_N + 5.00$	25.00	2.50	39 - 60
GR98	75 - 999.9	$d_N + 8.00$	25.00	4.00	6 - 39
GR98X	1,000 - 3,000.0	$d_N + 8.00$	25.00	4.00	39 - 60

\* Recommended diameter ranges. \*\* see Figure 226.

For Slydring® to other standards, for example French standard NF E 48-037, please contact your local Customer Solution Center.

### RADIAL CLEARANCE $S_1$

The minimum radial gap is to be calculated taking into account.

- The fitting tolerances of the hardware
- The tolerance on the ring thickness
- An allowance for wear
- In case of high radial loads, an allowance for elastic deformation
- A safety margin to avoid metal-to-metal contact

The gaps  $S_1$  can be chosen larger than near to the seal (attention: take care of gap dimension for the seal) thus allowing slight bending of the rod, still without metal-to-metal contact.

It also allows foreign particles to be wiped away by the Slydring® rather than being squeezed between the metal components (see page 573). The slot " $Z_1$ " allows fluid to pass across the ring thus preventing fluid pressure build-up which might cause extrusion of the guide ring. To ensure the ring cannot escape out of the groove, it is recommended to observe the following radial gap sizes as maximum values:

- 0.50 mm for GR43 (1.55 mm thickness)
- 0.90 mm for GR65 to GR75 (2.50 mm thickness)
- 1.50 mm for GR98 and GR98X (4.00 mm thickness)



**Table 230: Recommended Radii for Groove**

$d_N$	$r_{max}$
8 - 250	0.2
> 250	0.4

**Table 231: Surface Roughness**

Parameter	Mating Surface $\mu m$	Groove Surface $\mu m$
$R_{max}$	1.00 - 4.00	< 16.0
$R_z$	0.63 - 2.50	< 10.0
$R_a$	0.10 - 0.40	< 2.5

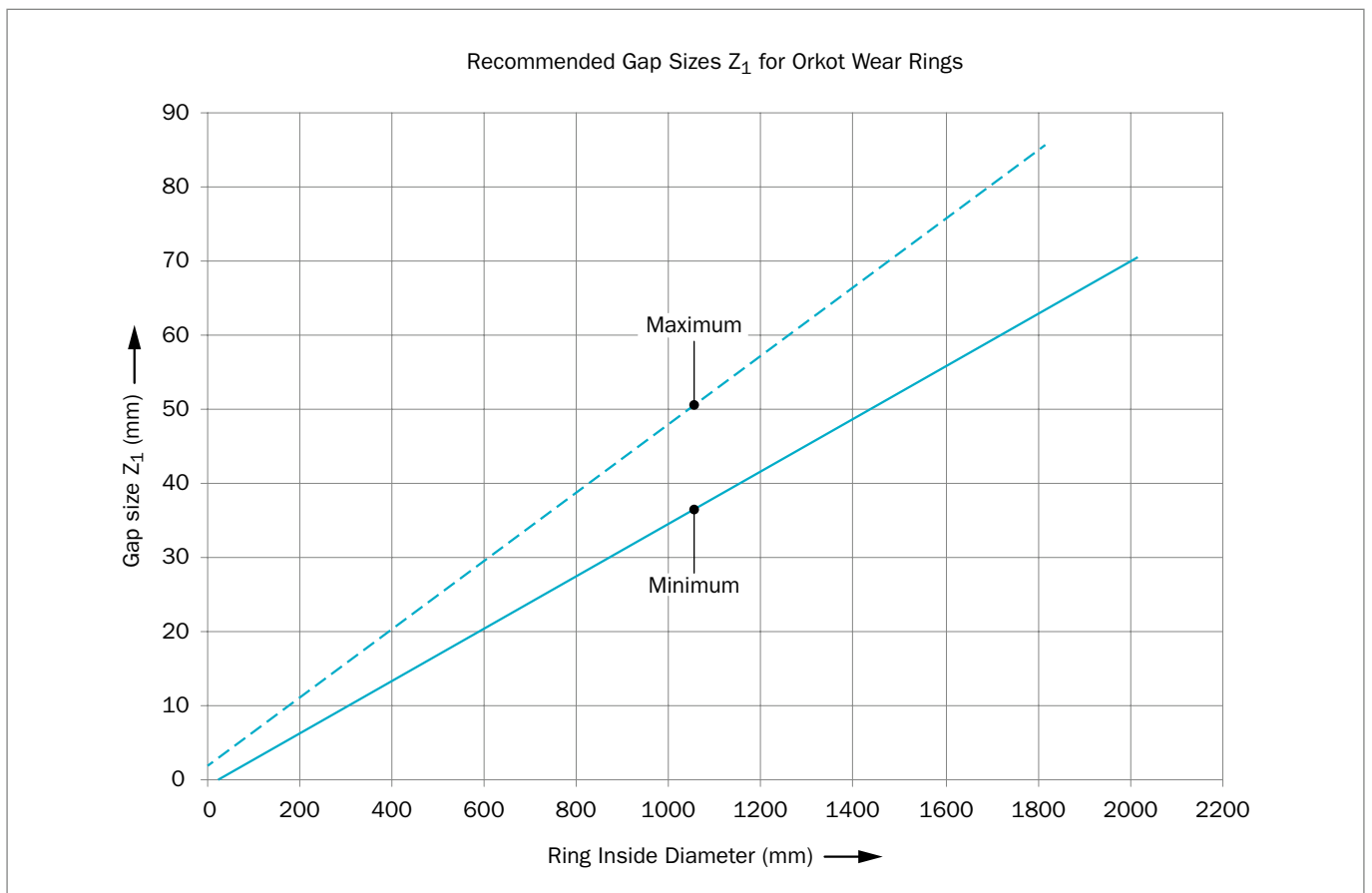


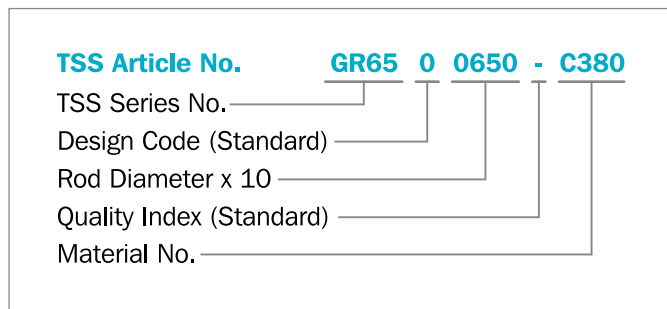
Figure 226: Recommended Gap Sizes  $Z_1$  for Orkot Wear Ring



### ORDERING EXAMPLE

Slydring® for rod diameter  $d_N = 65.0$  mm  
Series GR65 from Table 229

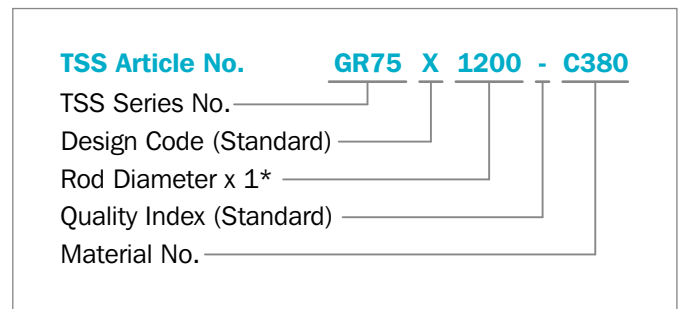
<b>Groove Width:</b>	5.60 mm
<b>Ring Thickness:</b>	2.50 mm
<b>Material:</b>	Orkot® C380 other materials see Table 185
<b>Standard Design:</b>	With angle cut Design code: 0
<b>TSS Part No.:</b>	GR6500650 from Table 232



### ORDERING EXAMPLE FOR DIAMETER > 1000 MM

Slydring® for rod diameter  $d_N = 1,200.0$  mm  
Series GR75X from Table 229

<b>Groove Width:</b>	25.00 mm
<b>Ring Thickness:</b>	2.50 mm
<b>Material:</b>	Orkot® C380 other materials see Table 185
<b>Standard Design:</b>	With angle cut Design code: X
<b>TSS Part No.:</b>	GR75X1200 from Table 232



\* For diameters  $\geq 1,000$  mm multiply only by factor 1.

#### Please Note

Orkot® Slydring® for rods can be used as piston guide ring, taking in account that the part number references the piston or rod diameter.

#### Example:

**GR65 0 0650 - C380**

is identical and can be replaced with

**GP69 0 0700 - C380**



Table 232: Slydring® for Rod

Rod Diameter	Dimensions			TSS Part No.
	Groove Diameter	Groove Width	Thickness	
	$d_N$ f8/h9	$D_2$ H8	$L_2$ +0.2	
11.0	14.1	4.0	1.55	GR4300110
15.0	18.1	4.0	1.55	GR4300150
16.0	21.0	5.6	2.50	GR6500160
18.0	23.0	5.6	2.50	GR6500180
20.0	25.0	5.6	2.50	GR6500200
20.0	25.0	9.7	2.50	GR6900200
22.0	27.0	5.6	2.50	GR6500220
<b>25.0</b>	<b>30.0</b>	<b>5.6</b>	<b>2.50</b>	<b>GR6500250</b>
25.0	30.0	9.7	2.50	GR6900250
27.0	32.0	9.7	2.50	GR6900270
<b>28.0</b>	<b>31.1</b>	<b>4.0</b>	<b>1.55</b>	<b>GR4300280</b>
<b>28.0</b>	<b>33.0</b>	<b>5.6</b>	<b>2.50</b>	<b>GR6500280</b>
28.0	33.0	9.7	2.50	GR6900280
30.0	35.0	5.6	2.50	GR6500300
30.0	35.0	9.7	2.50	GR6900300
<b>32.0</b>	<b>37.0</b>	<b>5.6</b>	<b>2.50</b>	<b>GR6500320</b>
<b>32.0</b>	<b>37.0</b>	<b>9.7</b>	<b>2.50</b>	<b>GR6900320</b>
35.0	40.0	9.7	2.50	GR6900350
<b>36.0</b>	<b>41.0</b>	<b>5.6</b>	<b>2.50</b>	<b>GR6500360</b>
<b>36.0</b>	<b>41.0</b>	<b>9.7</b>	<b>2.50</b>	<b>GR6900360</b>
36.0	41.0	15.0	2.50	GR7300360
<b>40.0</b>	<b>45.0</b>	<b>5.6</b>	<b>2.50</b>	<b>GR6500400</b>
<b>40.0</b>	<b>45.0</b>	<b>9.7</b>	<b>2.50</b>	<b>GR6900400</b>
40.0	45.0	15.0	2.50	GR7300400
<b>40.0</b>	<b>45.0</b>	<b>25.0</b>	<b>2.50</b>	<b>GR7500400</b>
42.0	47.0	5.6	2.50	GR6500420
43.0	48.0	5.6	2.50	GR6500430
<b>45.0</b>	<b>50.0</b>	<b>5.6</b>	<b>2.50</b>	<b>GR6500450</b>
<b>45.0</b>	<b>50.0</b>	<b>9.7</b>	<b>2.50</b>	<b>GR6900450</b>
45.0	50.0	15.0	2.50	GR7300450
48.0	53.0	5.6	2.50	GR6500480
48.0	53.0	9.7	2.50	GR6900480
<b>50.0</b>	<b>55.0</b>	<b>5.6</b>	<b>2.50</b>	<b>GR6500500</b>
<b>50.0</b>	<b>55.0</b>	<b>9.7</b>	<b>2.50</b>	<b>GR6900500</b>
50.0	55.0	15.0	2.50	GR7300500
52.0	57.0	5.6	2.50	GR6500520
52.0	57.0	9.7	2.50	GR6900520
55.0	60.0	9.7	2.50	GR6900550
55.0	60.0	15.0	2.50	GR7300550
55.0	60.0	25.0	2.50	GR7500550



Dimensions				TSS Part No.
Rod Diameter	Groove Diameter	Groove Width	Thickness	
$d_N$ f8/h9	$D_2$ H8	$L_2$ +0.2	W	
<b>56.0</b>	<b>61.0</b>	<b>5.6</b>	<b>2.50</b>	<b>GR6500560</b>
<b>56.0</b>	<b>61.0</b>	<b>9.7</b>	<b>2.50</b>	<b>GR6900560</b>
<b>56.0</b>	<b>61.0</b>	<b>15.0</b>	<b>2.50</b>	<b>GR7300560</b>
58.0	63.0	5.6	2.50	GR6500580
58.0	63.0	9.7	2.50	GR6900580
60.0	65.0	5.6	2.50	GR6500600
60.0	65.0	9.7	2.50	GR6900600
60.0	65.0	15.0	2.50	GR7300600
60.0	65.0	25.0	2.50	GR7500600
<b>63.0</b>	<b>68.0</b>	<b>9.7</b>	<b>2.50</b>	<b>GR6900630</b>
63.0	68.0	15.0	2.50	GR7300630
65.0	70.0	5.6	2.50	GR6500650
65.0	70.0	9.7	2.50	GR6900650
65.0	70.0	15.0	2.50	GR7300650
<b>70.0</b>	<b>75.0</b>	<b>5.6</b>	<b>2.50</b>	<b>GR6500700</b>
<b>70.0</b>	<b>75.0</b>	<b>9.7</b>	<b>2.50</b>	<b>GR6900700</b>
70.0	75.0	15.0	2.50	GR7300700
<b>70.0</b>	<b>75.0</b>	<b>25.0</b>	<b>2.50</b>	<b>GR7500700</b>
75.0	80.0	5.6	2.50	GR6500750
75.0	80.0	9.7	2.50	GR6900750
75.0	80.0	15.0	2.50	GR7300750
80.0	85.0	5.6	2.50	GR6500800
<b>80.0</b>	<b>85.0</b>	<b>9.7</b>	<b>2.50</b>	<b>GR6900800</b>
<b>80.0</b>	<b>85.0</b>	<b>15.0</b>	<b>2.50</b>	<b>GR7300800</b>
<b>80.0</b>	<b>85.0</b>	<b>25.0</b>	<b>2.50</b>	<b>GR7500800</b>
85.0	90.0	9.7	2.50	GR6900850
85.0	90.0	15.0	2.50	GR7300850
90.0	95.0	5.6	2.50	GR6500900
<b>90.0</b>	<b>95.0</b>	<b>9.7</b>	<b>2.50</b>	<b>GR6900900</b>
<b>90.0</b>	<b>95.0</b>	<b>15.0</b>	<b>2.50</b>	<b>GR7300900</b>
90.0	95.0	25.0	2.50	GR7500900
95.0	100.0	5.6	2.50	GR6500950
95.0	100.0	9.7	2.50	GR6900950
95.0	100.0	15.0	2.50	GR7300950
100.0	105.0	5.6	2.50	GR6501000
<b>100.0</b>	<b>105.0</b>	<b>9.7</b>	<b>2.50</b>	<b>GR6901000</b>
<b>100.0</b>	<b>105.0</b>	<b>15.0</b>	<b>2.50</b>	<b>GR7301000</b>
100.0	105.0	25.0	2.50	GR7501000
105.0	110.0	15.0	2.50	GR7301050
105.0	110.0	25.0	2.50	GR7501050



Dimensions				TSS Part No.
Rod Diameter	Groove Diameter	Groove Width	Thickness	
$d_N$ f8/h9	$D_2$ H8	$L_2$ +0.2	W	
<b>110.0</b>	<b>115.0</b>	<b>9.7</b>	<b>2.50</b>	<b>GR6901100</b>
<b>110.0</b>	<b>115.0</b>	<b>15.0</b>	<b>2.50</b>	<b>GR7301100</b>
110.0	115.0	25.0	2.50	GR7501100
115.0	120.0	9.7	2.50	GR6901150
115.0	120.0	15.0	2.50	GR7301150
120.0	125.0	15.0	2.50	GR7301200
<b>125.0</b>	<b>130.0</b>	<b>15.0</b>	<b>2.50</b>	<b>GR7301250</b>
125.0	130.0	25.0	2.50	GR7501250
130.0	135.0	15.0	2.50	GR7301300
<b>140.0</b>	<b>145.0</b>	<b>9.7</b>	<b>2.50</b>	<b>GR6901400</b>
<b>140.0</b>	<b>145.0</b>	<b>15.0</b>	<b>2.50</b>	<b>GR7301400</b>
140.0	145.0	25.0	2.50	GR7501400
150.0	155.0	15.0	2.50	GR7301500
150.0	155.0	25.0	2.50	GR7501500
155.0	160.0	15.0	2.50	GR7301550
155.0	160.0	25.0	2.50	GR7501550
<b>160.0</b>	<b>165.0</b>	<b>9.7</b>	<b>2.50</b>	<b>GR6901600</b>
<b>160.0</b>	<b>165.0</b>	<b>15.0</b>	<b>2.50</b>	<b>GR7301600</b>
<b>160.0</b>	<b>165.0</b>	<b>25.0</b>	<b>2.50</b>	<b>GR7501600</b>
170.0	175.0	15.0	2.50	GR7301700
170.0	175.0	25.0	2.50	GR7501700
<b>180.0</b>	<b>185.0</b>	<b>15.0</b>	<b>2.50</b>	<b>GR7301800</b>
190.0	195.0	15.0	2.50	GR7301900
190.0	195.0	25.0	2.50	GR7501900
<b>200.0</b>	<b>205.0</b>	<b>15.0</b>	<b>2.50</b>	<b>GR7302000</b>
<b>200.0</b>	<b>205.0</b>	<b>25.0</b>	<b>2.50</b>	<b>GR7502000</b>
<b>200.0</b>	<b>208.0</b>	<b>25.0</b>	<b>4.00</b>	<b>GR9802000</b>
210.0	215.0	15.0	2.50	GR7302100
<b>220.0</b>	<b>225.0</b>	<b>15.0</b>	<b>2.50</b>	<b>GR7302200</b>
<b>220.0</b>	<b>225.0</b>	<b>25.0</b>	<b>2.50</b>	<b>GR7502200</b>
230.0	235.0	25.0	2.50	GR7502300
240.0	245.0	25.0	2.50	GR7502400
240.0	248.0	25.0	4.00	GR9802400
<b>250.0</b>	<b>255.0</b>	<b>25.0</b>	<b>2.50</b>	<b>GR7502500</b>
270.0	275.0	15.0	2.50	GR7302700
<b>280.0</b>	<b>285.0</b>	<b>15.0</b>	<b>2.50</b>	<b>GR7302800</b>
<b>280.0</b>	<b>285.0</b>	<b>25.0</b>	<b>2.50</b>	<b>GR7502800</b>
<b>280.0</b>	<b>288.0</b>	<b>25.0</b>	<b>4.00</b>	<b>GR9802800</b>
300.0	305.0	25.0	2.50	GR7503000
<b>320.0</b>	<b>325.0</b>	<b>25.0</b>	<b>2.50</b>	<b>GR7503200</b>



Dimensions				TSS Part No.
Rod Diameter	Groove Diameter	Groove Width	Thickness	
$d_N$ f8/h9	$D_2$ H8	$L_2$ +0.2	W	
<b>320.0</b>	<b>328.0</b>	<b>25.0</b>	<b>4.00</b>	<b>GR9803200</b>
350.0	355.0	25.0	2.50	GR7503500
<b>360.0</b>	<b>365.0</b>	<b>25.0</b>	<b>2.50</b>	<b>GR7503600</b>
<b>360.0</b>	<b>368.0</b>	<b>25.0</b>	<b>4.00</b>	<b>GR9803600</b>
400.0	405.0	25.0	2.50	GR7504000
400.0	408.0	25.0	4.00	GR9804000
800.0	805.0	25.0	2.50	GR7508000
800.0	808.0	25.0	4.00	GR9808000
1,000.0	1,005.0	25.0	2.50	GR75X1000
1,000.0	1,008.0	25.0	4.00	GR98X1000
1,200.0	1,205.0	25.0	2.50	GR75X1200
1,500.0	1,505.0	25.0	2.50	GR75X1500

All sizes printed in **bold** type conform to ISO 10766 and should be preferred for use.  
 Additional sizes not covered by this list are also held in stock. Also please note that customer specific sizes can be supplied without tooling costs.





# General Quality Criteria and Storage Guidelines



---

! This page is intentionally left blank.

## ■ General Quality Criteria

The cost-effective use of seals and bearings is highly influenced by the quality criteria applied in production. Seals and bearings from Trelleborg Sealing Solutions are continuously monitored according to strict quality standards from material acquisition through to delivery.

Production facilities are certified according to relevant quality management system standards. Depending on the requirements of the customer or market and in addition to the current ISO 9001, these locations may have further certifications: IATF 16949 for Automotive customers, EN/AS 9100 for Aerospace customers, ISO 13485 for Healthcare & Medical customers and ISO 29001 for Oil & Gas customers. This enables us to provide all market segments with the required quality standards.

Our quality policy is consistently controlled by strict procedures and guidelines which are implemented within all areas of the company.

All testing of materials and products is performed in accordance with accepted test standards and specifications, e.g. random sample testing in accordance with ISO 2859-1 AQL 1.0 general inspection level II, normal inspection.

Inspection specifications correspond to standards applicable to individual product groups (e.g. for O-Rings: ISO 3601).

## ■ Guidelines for the Storage of Polymer Products Based on ISO 2230

Many polymer products and components are stored for long periods of time before being put into service, so it is important they are stored in conditions that minimize unwanted changes in properties. Such changes may result from degradation, in which case they may include excessive hardening, softening, cracking, crazing and other surface effects. Other changes may be caused by deformation, contamination or mechanical damage.

### Packaging

Unless otherwise specified in the appropriate product specification, rubber products should be enclosed in individual sealed envelopes. The packaging should be carried out in an atmosphere in which the relative humidity is less than 70%, or if polyurethanes are being packed, less than 65%. Where there is serious risk of ingress of moisture (e.g. rubber-metal-bonded parts), aluminum foil/paper/polyethylene laminate or other similar means of protection should be used to ensure protection from ingress of moisture.

### Temperature

The preferred storage temperature for elastomer parts is +15 °C (+59 °F) and should not exceed +25 °C (+77 °F). The products should be stored away from direct sources of heat such as boilers, radiators and direct sunlight. If the storage temperature is below +15 °C (+59 °F), care should be exercised during handling of stored products, as they may have stiffened and have become susceptible to distortion if not handled carefully.

### Humidity

The relative humidity should be such that, given in the variations of temperature in storage, condensation does not occur. In all cases, the relative humidity of the atmosphere in storage should be less than 70%, or if polyurethanes are being stored, less than 65%.

### Light

Rubber should be protected from light sources, in particular direct sunlight or intense light having a high ultra-violet content. It is advisable that any windows of storage rooms be covered with a red or orange coating or screen.

### Radiation

Precautions should be taken to protect stored products from all sources of ionizing radiation likely to cause damage to the products.

### Ozone

Ozone has a particularly harmful effect on rubber. Storage rooms should not contain any equipment that is capable of generating ozone, such as mercury vapor lamps or high-voltage electrical equipment giving rise to electric sparks or electrical discharges. Combustion gases and organic vapors should also be excluded, as they may give rise to ozone via photo-chemical processes. When equipment such as a fork-lift truck is used to handle large rubber products, care needs to be taken to ensure this equipment is not a source of pollution that may affect the rubber. Combustion gases should be considered separately. While they are responsible for generating ground-level ozone, they may also contain unburned fuel which, by condensing on rubber products, can cause additional deterioration.

### **Deformation**

Rubber should be stored free from tension, compressive stresses or other causes of deformation. Where products are packaged in a strain-free condition, they should be stored in their original packaging. In case of doubt, the manufacturer's advice should be sought. It is advisable that rings of large internal diameter are formed into three equal loops so as to avoid creasing or twisting. It is not possible to achieve this condition by forming just two loops.

### **Contact with liquids and semi-liquid materials**

Rubber should not be allowed to come into contact with liquid or semi-liquid materials (for example, petrol, greases, acids, disinfectants, cleaning fluids) or their vapors at any time during storage, unless these materials are by design an integral part of the product or the manufacturer's packaging. When rubber products are received coated with their operational media, they should be stored in this condition.

### **Contact with metals**

Certain metals and their alloys (in particular, copper and manganese) are known to have harmful effects on some rubbers. Rubber should not be stored in contact with such metals except when bonded to them. They should be protected by wrapping in, or by separation with, a suitable material, e.g. paper or polyethylene.

### **Contact with dusting powder**

Dusting powders should only be used for the packaging of rubber items in order to prevent adhesion. In such cases, the minimum quantity of powder to prevent adhesion should be used. Any powder used should be free from any constituent that would have a harmful effect on the rubber or the subsequent application of the rubber.

### **Contact between different products**

Contact between products made from rubbers of different compositions should be avoided. This includes products of the same type but differing in color.

### **Rubber-to-metal bonded products**

The metal part of rubber-to-metal bonded products should not come into contact with the rubber of other products. Preservative used on the metal should be of a type that it will not adversely affect the rubber or the bond to such an extent that it does not comply with the product specification.

### **Storage life**

This is the maximum period of time that a rubber product, appropriately packaged, may be stored. After this time the product is regarded as unserviceable for the purposes for which it was originally manufactured. The storage life of a rubber product is influenced by its shape and size as well as its composition. Thick products usually undergo slower changes through degradation than thinner ones.

### **Initial storage period**

This is the maximum period, starting from the time of manufacture, for which a rubber product, appropriately packaged, may be stored under specified conditions before a sample needs to be inspected or re-tested.

### **Extension storage period**

This is the period for which a rubber product, appropriately packaged, may be stored after the initial storage period, before further inspection and re-testing is necessary.

### **Assembly**

These are products or components containing more than one element, one or more of which is made of rubber. Generally it is not recommended to store elastomeric products in an assembled condition. If it is necessary to do so, the units should be checked more often. The inspection interval depends on the design and geometry of the components.

### **Inspection before extension storage**

Before any items are to be stored for an extension period, representative samples of each type should be selected for inspection at the end of the appropriate initial storage period. Inspection should be in accordance with the relevant product specification.

### **Visual inspection**

Inspect each of the items for the following:

1. Permanent distortions, such as creases or flats.
2. Mechanical damage, such as cuts, tears, abraded areas or delaminated plies.
3. Surface cracking when viewed under a microscope at x10 magnification.
4. Changes in surface condition, such as hardening, softening or tackiness.

**Assessment at the end of the initial period**

If, following the visual inspection procedure the items are not satisfactory, they should not be stored for an extended period. If the items are satisfactory and are stored for an extended period a record should be kept of the date initial storage began as well as the date the extended storage period began. Items stored for an extended period should be inspected and tested at, or before, the expiry of the extension storage period before they are put into service or stored for a further extended period.

**Table 233: Initial and extension storage periods for unassembled components**

Material Group	Initial Storage Period	Extended Storage Period
AU, EU, NR, SBR	5 years	2 years
ACM, AEM, CR, ECO, HNBR, IIR, NBR	7 years	3 years
CSM, EPDM, FKM, VMQ, FVMQ	10 years	5 years
FFKM Isolast®	20 years	5 years
Zurcon®	10 years	5 years
PTFE	unlimited	

Note 1: If the storage temperature is over or under +25 °C (+77 °F) this will influence the storage time. Storage at +10 °C (+50 °F) higher will reduce the storage time by about 50%. Storage at +10 °C (+50 °F) lower will increase the storage time by around 100%.

Note 2: In application areas such as aerospace the storage periods can differ from this specification. These specific storage conditions have to be agreed between the supplier and the buyer.

Trelleborg is a world leader in engineered polymer solutions that seal, damp and protect critical applications in demanding environments. Its innovative solutions accelerate performance for customers in a sustainable way.

Trelleborg Sealing Solutions is a leading developer, manufacturer and supplier of precision seals, bearings and custom-molded polymer components. It focuses on meeting the most demanding needs of aerospace, automotive and general industrial customers with innovative solutions.

[WWW.TRELLEBORG.COM/SEALS](http://WWW.TRELLEBORG.COM/SEALS)



[facebook.com/TrelleborgSealingSolutions](https://facebook.com/TrelleborgSealingSolutions)  
[twitter.com/TrelleborgSeals](https://twitter.com/TrelleborgSeals)  
[youtube.com/TrelleborgSeals](https://youtube.com/TrelleborgSeals)  
[linkedin.com/company/trelleborg-sealing-solutions](https://linkedin.com/company/trelleborg-sealing-solutions)

If you'd like to talk to Trelleborg Sealing Solutions, find your local contact at: [www.trelleborg.com/seals/worldwide](http://www.trelleborg.com/seals/worldwide)