

UNDERCARRIAGE

UNDERCARRIAGE



● IDLER

- Cast Idlers available with brackets and tension device
- Full Range of excavator/dozer applications

● ROLLERS

- Roller Shells manufactured using baron steel
- Superior wear resistance in HD applications

● TRACK LINK

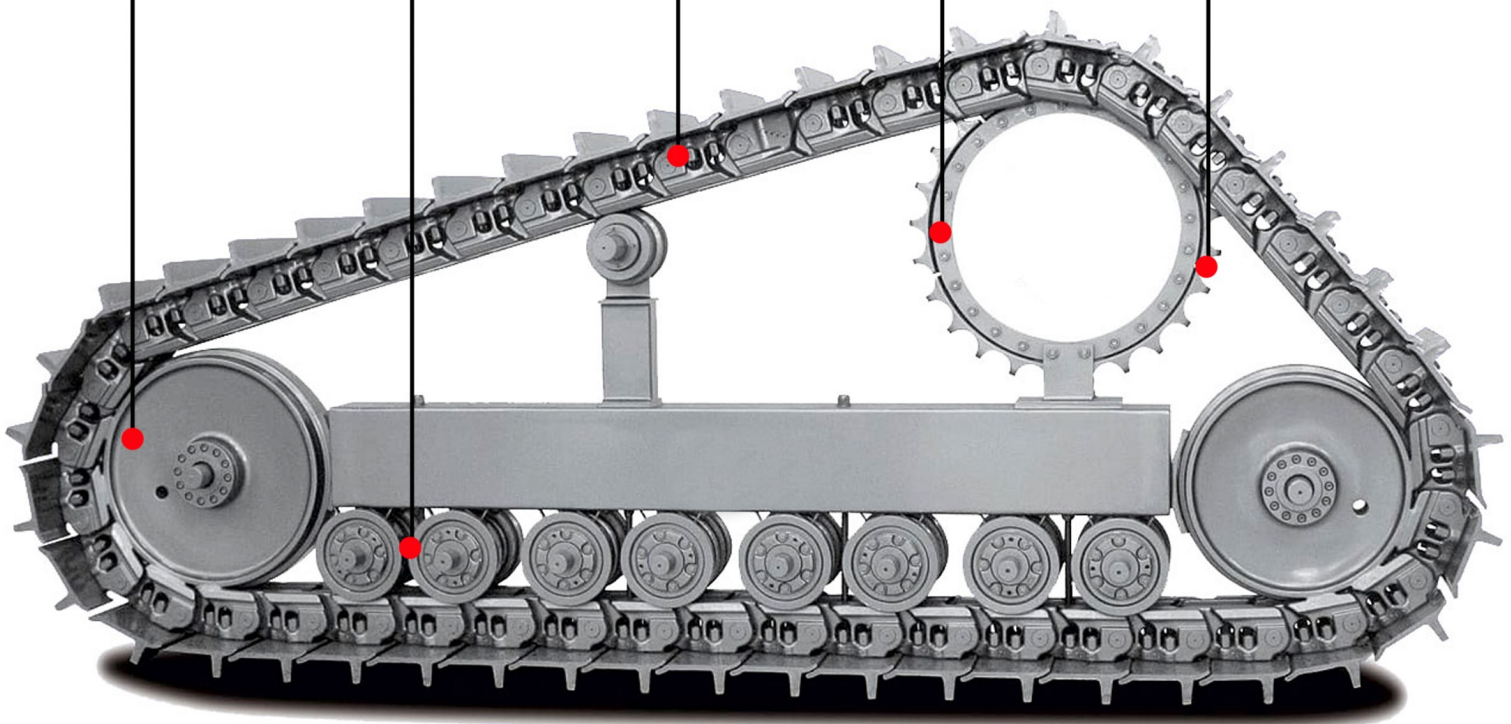
- Pin/Bushing with reduced friction
- Standard and Heavy Duty link designs
- Patented split master link

● SPROCKET

- From mini to mining application
- Sprocket and Rims
- Reinforced Geometries

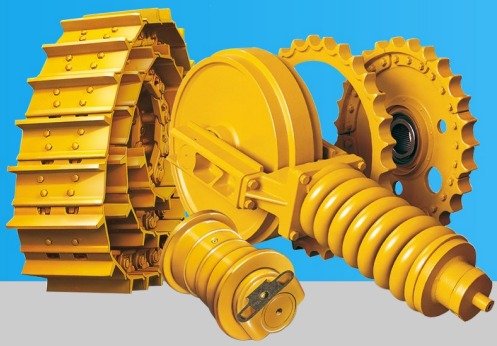
● SEGMENT

- Complete range
- Excellent wear and resistant to Breakage



UNDERCARRIAGE

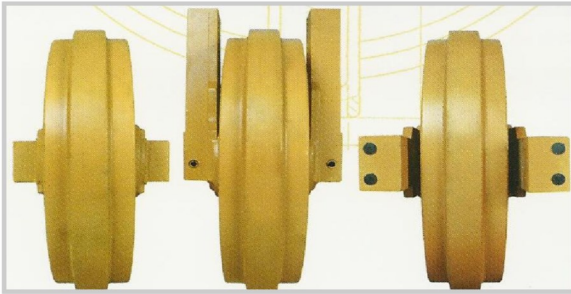
Mark	Description	Model
KOMATSU	ROLLER GR.	PC120-3
		PC200-5
	CARRIER ROLLER GR.	PC120-3
		PC200-5
	SPROCKET RIM	PC120-3
		PC200-5
	FRONT ASS'Y	PC120-3
		PC200-5
KOBELCO	ROLLER GR.	SK120
		SK200-3
	CARRIER ROLLER GR.	SK120
		SK200-3
	SPROCKET RIM	SK120
		SK200-3
	FRONT ASS'Y	SK120
		SK200-3
HITACHI	ROLLER GR.	EX120,EX100
		EX200-2
	CARRIER ROLLER GR.	EX120,EX100
		EX200-2
	SPROCKET RIM	EX120,EX100
		EX200-2
	FRONT ASS'Y	EX120,EX100
		EX200-2
CATERPILLAR	ROLLER GR.	CAT312,E120
		CAT320
	CARRIER ROLLER GR.	CAT312,E120
		CAT320
	SPROCKET RIM	CAT312,E120
		CAT320
	FRONT ASS'Y	CAT312,E120
		CAT320
SANY	ROLLER GR.	SY135
		SY215 , SY205
		SY365
	CARRIER ROLLER GR.	SY135
		SY215 , SY205
		SY365
	SPROCKET RIM	SY135
		SY215 , SY205
		SY365
	FRONT ASS'Y	SY135
		SY215 , SY205
		SY365



UNDERCARRIAGE

IDLER ASSY

These product are made in two main Manufacturing concepts; steel casting and Fabrication by electric welding process.



TRACK ROLLER & CARRIER ROLLER

TRACK ROLLER :

Excavator rollers are specifically designed, engineered And manufactured for applications requiring high load resistance

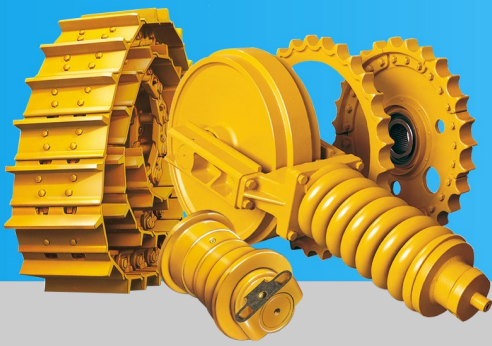
Dozer rollers are designed for applications that call for The maximum wear resistance



CARRIER ROLLER :

Our rollers offer high performance and reliability in all Working condition, with long life and freedom from maintenance assured by a highly efficient lubrication system.





UNDERCARRIAGE

TRACK LINK & SHOE

TRACK LINK :

Our chains are hardened for long life and excellent seal-ability. They (for all crawlers and excavators) are forged with medium carbon steel that allow deeper heat treating. It assists to keep the pins and bushings from loosening even in severe applications.

OEM Quality and reliable

Available for all popular brands of Bulldozers, Crawler Loaders and Hydraulic Excavators etc.

>>Guaranteed Heat Treatment

>>Optimum Purchased Parts

>>High Quality Control

TRACK SHOES :

We will support you with track shoes available several styles and a range of widths.

Standard shoes provide good penetration and traction. Extreme service shoes provide longer wear life in high impact and abrasive conditions.

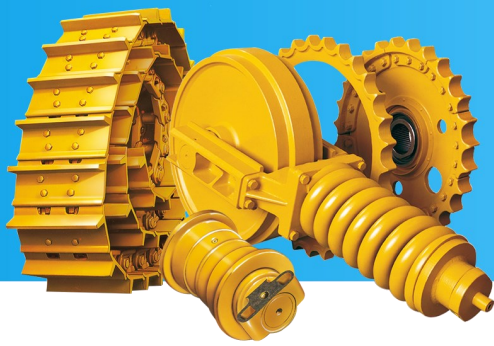
They are tough and durable enough to survive continuous contact with the ground.

MINI EXCAVATOR'S PARTS :

We supply the full range of Mini-Excavator's undercarriage spare parts.

They are worth to all kinds of working conditions.





UNDERCARRIAGE

MAKER		PRODUCT RANGE FOR UNDERCARRIAGE
BULLDOZER	CATERPILLAR	D3C,D4C,D4D,D4H,D5B,D5H,D5M,D6D,D6H,D6M,D7H,D7G/D7F/D7E,D8H,D8L,D8N,D8R,D9H,D9N,D9R, D10N,D10R, etc.
	KOMATSU	D20P,PL-5/6/7,D30/D31,D37,D40/D50,D60/D65,D80,D83,D85,D85ESS-1/D85A-18,D155,D355,D375 etc.
EXCAVATOR	CATERPILLAR	CAT215,CAT215DLC,CAT225,CAT225DLC/BLC,CAT235,E240,E200B/E320,CAT307,CAT311,CAT312/E120B,CAT317,CAT318BL/CAT320BL,CAT320,CAT320C,CAT325,CAT330,CAT330C/D,CAT350,E70,E300,E300B,E330L,E450, etc.
	KOMATSU	PC20,PC30,P40,PC50,PC60,PC100,PC120,PC150,PC200,PC220,PC300,PC400,PC450,PC650 etc.
	HITACHI	EX60,ZX70,EX60,EX90,EX100,EX120,EX100M,EX130H-5,EX150,EX200,FH200,EX210,FH220,EX220,ZX230,FH330,EX270,EX300,ZX350,EX330,EX400,EX450,UH04,UH045-7/UH063,UH07-5/UH081,UH07-7/UH083,ZX70,FH220-3,ZX230,ZX450,FH330,UH063,ZAXIS200/210,ZAXIS180/ZAXIS225,UH10LC,UH07-7,UH083,UH181,EX700,EX750,EX800,EX850,ZX850,EX1100, etc.
	VOLVO	EC210/EC240,EC280,EC290,EC295,EC350,EC360,EC460, etc.
	KOBELCO	SK03,SK04,SK045,SK12,SK60,SK100,SK120,SK135,SK200,SK200,S220,SK230,SK250,SK270/LC,SK300,SK330,SK07,SK21,SK60,SK150M,SK200,K907,K907-C/D Mark II,K904 etc.
	SUMITOMO	LS2650,LS4300,LS3400,SH100,SH120,SH200/280/LS2800FJ1/2,SH220,SH300,SH330,SH60/SH65,SH120,SH200, etc.
	KATO	HD250,HD400-2,HD400-5,HD450,HD700/770,HD800/820,HD900,HD909,HD1023,HD1250, INGERSOLLAND etc.
	HYUNDAI	R55,R130,R180,R200,R210,R220,R280,R290,R300,R320,R420,R450,R914, etc.
	DAEWOO/DOOSAN	DH07,DH08,DH010,DH180,DH220/UH081,DH250,DH280,DH300,DH320,DH330,DH55,DH220,DH130,S130,S150,S170,S175,S200,DH400 etc. DX35Z,DX63-3,DX140LC,DX200A,DX225LCA,DX300LCA,DX340LCA,DX420LCA,DX500LCA,DX700LCA
	SAMSUNG	MX8-2,MX292,MX352,SE130,SE210,SE210LC-2,SE280,SE280LC-2,SE350,SE350LC-2,SE450LC-2,SE460 etc.
OTHERS	MS110,MS120,MS180-8,MS230,MS240/MS270,BD2G, MANTIS, PAVER, FURUKAWA, CRAWLER CRANE, DEMAG, ATLAS COPCO, HALLA220, LIEBHERR etc.	