

Energy Meter with Modbus Connection

SE-MTR-3Y-400V-A

ACCESSORIES

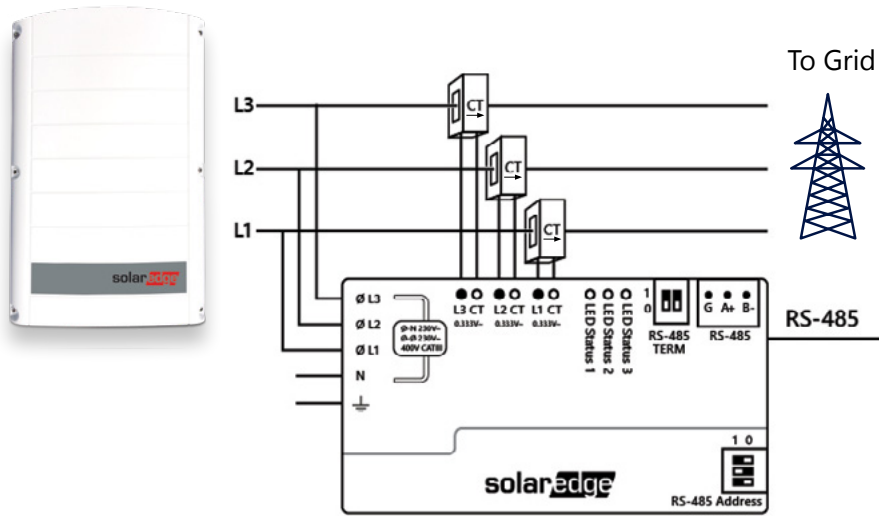


Energy Meter with Modbus Connection for SolarEdge Installations

- High accuracy meter readings for production/consumption monitoring
- Supports residential, commercial and utility-size installations
- Import/Export meter readings for export limitation functionality
- Supports RS485 120Ω line termination
- Small and easy to install - fits in standard electrical panels

/ Energy Meter with Modbus Connection

SE-MTR-3Y-400V-A



SE-MTR-3Y-400V-A		UNITS	
ELECTRICAL SERVICE			
Operating Voltage Range	Line to Line	207 - 440	Vac
	Line to Neutral	108 - 305	Vac
Nominal Voltage Range	Line to Line	230 - 400	Vac
	Line to Neutral	120 to 277	Vac
AC Frequency		45 - 65	Hz
Grids Supported ⁽³⁾ - Single Phase ; Three Phase		L / N / PE ; L1 / L 2 / L3 / N / PE	
Power Consumption (max)		3	W
CT Inputs		333	mV
COMMUNICATION			
Supported Communication Interfaces		RS485 half-duplex, 3 wires (A, B, GND)	
Response Time ⁽⁴⁾		≤200	ms
Default Device ID (Modbus)		2	
RS485 Line Termination		120	Ω
ACCURACY (@25°C, PF: 1)⁽⁵⁾			
Meter		0.25	%
Overall Accuracy - Meter + CT		±1.25	%
IEC Accuracy		IEC 62053-21 Class 1, IEC 62053-23 Class 2	
STANDARD COMPLIANCE			
Safety		IEC 61010-1, UL 61010-1, CAN/CSA-C22.2 No. 61010-1-04	
Immunity		EN 61326: 2000, EN 61000-4-2, EN 61000-4-3, EN 61000-4-4, EN 61000-4-5, EN 61000-4-6, EN 61000-4-5, EN 61000-4-6,	
Emissions		EN 55022 Class B	
INSTALLATION SPECIFICATIONS			
Dimensions (HxWxD)		75 x 138.6 x 35 / 2.95 x 5.45 x 1.37	mm / in
Weight		225 / 0.49	g / lb
Operating Temperature Range		-40 to +85 / -40 to +185	°C / °F
Relative Humidity (non-condensing)		5% to 90% up to 40°C decreasing linearity to 50% RH at 55°C	
Protection Rating		IP20 - Suitable for indoor use	
Mounting Type		DIN Rail / Surface mount	
AC voltage Terminal Block		up to 12 / 2.5	AWG/mm ²
Communication Terminal Block		24 / 0.2 to 14 / 2	AWG/mm ²
Current Transformer Terminal Block		24 / 0.2 to 14 / 2	AWG/mm ²

/ Energy Meter with Modbus Connection

SE-MTR-3Y-400V-A

WHEN ORDERING A METER, ORDER CURRENT TRANSFORMERS AS WELL:

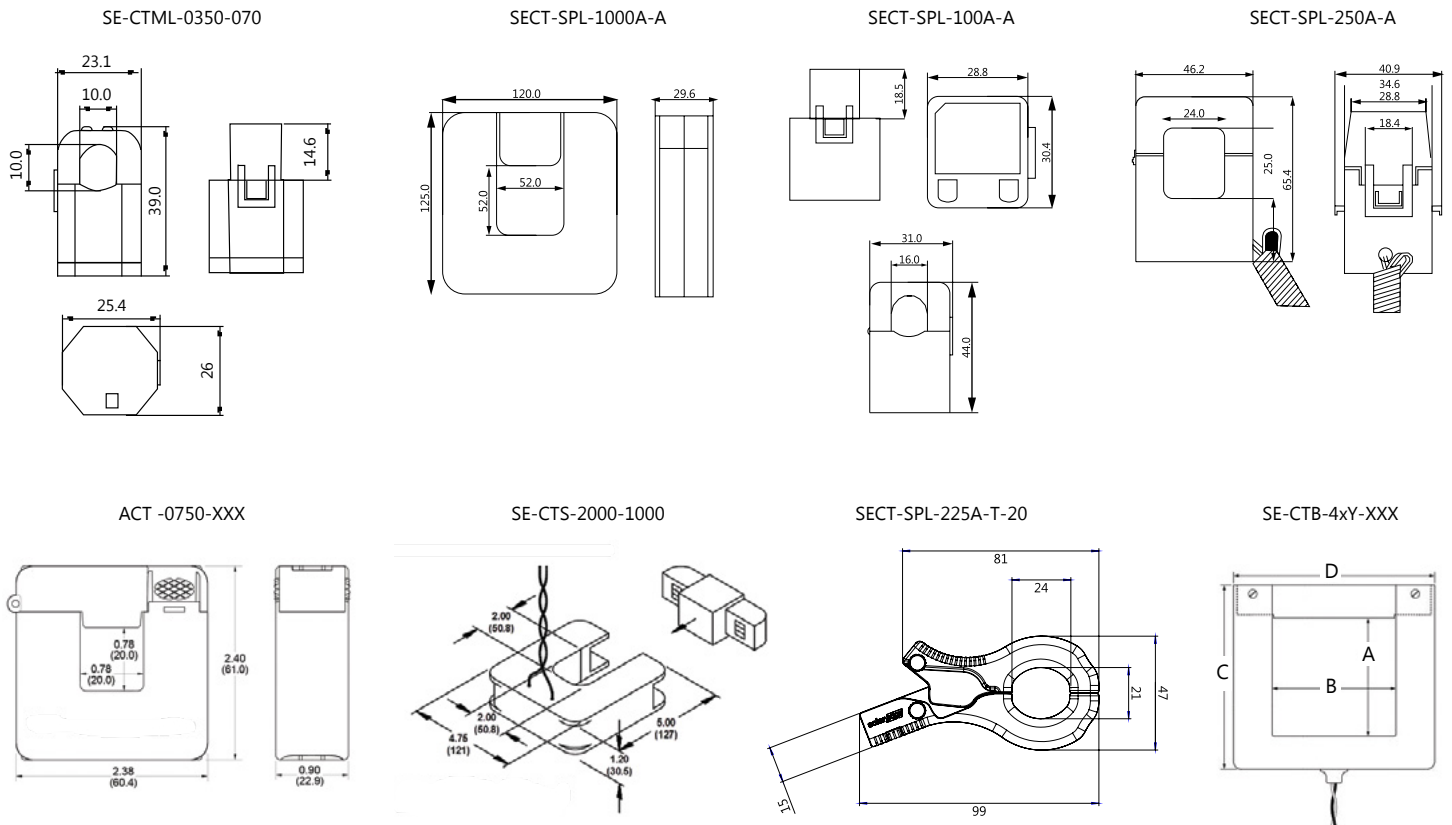
CURRENT TRANSFORMER PN ⁽¹⁾	RATED RMS CURRENT(A)	ACCURACY (%)	ACCURACY RANGE ⁽²⁾ (%)	INTERNAL (A X B) / EXTERNAL (C X D)
SE-CTML-0350-070	70	±1	1 to 130	10 x 10 mm / 25.4 x 39 mm
SECT-SPL-100A-A	100	±1	1 to 130	16 x 16 mm / 44 x 31 mm
SE-ACT-0750-100	100	±0.75	1 to 120	20 x 20 mm / 61 x 60.4 mm
SECT-SPL-225A-T-20	225	±1	1 to 100	24 x 21 mm / 99 x 47 mm
SECT-SPL-250A-A	250	±1	1 to 130	24 x 25 mm / 46.2 x 65.4 mm
SE-ACT-0750-250	250	±0.75	1 to 120	20 x 20 mm / 61 x 60.4 mm
SE-ACT-0750-250-C06	250	±0.5	1 to 120	20 x 20 mm / 61 x 60.4 mm
SECT-SPL-1000A-A	1000	±1	1 to 130	52 x 52 mm / 120 x 125 mm
SE-CTS-2000-1000	1000	±1	1 to 100	50.8 x 50.8 mm / 121 x 127 mm
SE-CTB-4x4-1200	1200	±1.5	1 to 100	102 x 102 mm / 158 x 168 mm
SE-CTB-4x4-2000	2000	±1.5	1 to 100	102 x 102 mm / 158 x 168 mm
SE-CTB-4x4.5-3000	3000	±1.5	1 to 100	114 x 102 mm / 171 x 168 mm

(*) All CT twisted pair lead wire length are 2.4 meters. Except SECT-SPL-225A-T-20 which comes with 5.2m lead wire

(1) One current transformer per phase; for other ratings contact SolarEdge

(2) Percentage of rated current for which CT accuracy is met

Current Transformer Dimensions



*All dimensions are in millimeters

CE RoHS

© SolarEdge Technologies Ltd. All rights reserved. SOLAREEDGE, the SolarEdge logo, OPTIMIZED BY SOLAREEDGE are trademarks or registered trademarks of SolarEdge Technologies, Inc. All other trademarks mentioned herein are trademarks of their respective owners. Date: 08/2021 DS-00002-1.1-ENG. Subject to change without notice.

solar edge