



TRUNKING SYSTEM



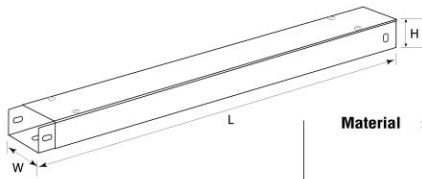
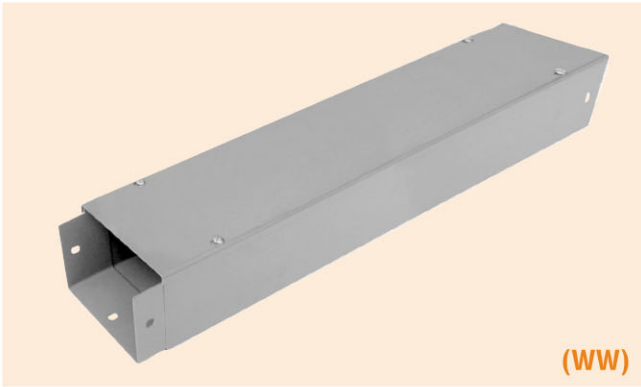
ISO 9001

Certified



CABLE TRUNKING SYSTEM

STRAIGHT TRUNKING



Type of Product : ♦ Screw Type
 ♦ Press lock Type
Standard Length : ♦ 2.44 M.
 ♦ 3.00 M.
 (Special request)

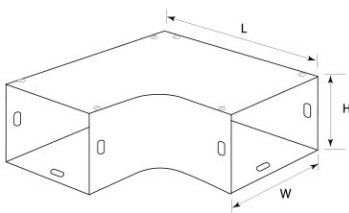
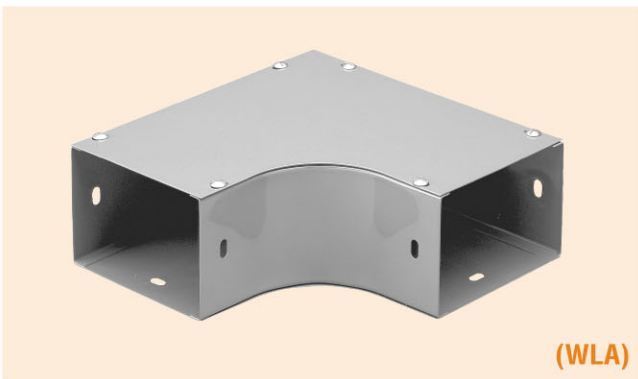
Material : ♦ Steel Sheet
 ♦ Galvanized Steel Sheet (Zinc)
 ♦ Aluzinc Steel Sheet
 ♦ Electro Galvanized Steel Sheet
 ♦ Aluminum Steel Sheet
 ♦ Stainless Steel Sheet
Finishing : ♦ Epoxy Powder Coat
 (Gray, White, Etc.)
 ♦ Hot Dip Galvanized after
 Fabrication
Thickness : ♦ 1.0, 1.2, 1.5, 1.6, 2.0 mm.

Code No.	Width (mm.)	Height (mm.)	Length (mm.)
UI-W / WW-202	50	50	2,440
UI-W / WW-302	75	50	2,440
UI-W / WW-402	100	50	2,440
UI-W / WW-403	100	75	2,440
UI-W / WW-404	100	100	2,440
UI-W / WW-604	150	100	2,440
UI-W / WW-606	150	150	2,440
UI-W / WW-804	200	100	2,440
UI-W / WW-806	200	150	2,440
UI-W / WW-1004	250	100	2,440
UI-W / WW-1006	250	150	2,440
UI-W / WW-1204	300	100	2,440
UI-W / WW-1206	300	150	2,440
UI-W / WW-1208	300	200	2,440

* The others sizes and materials are available upon request

CABLE TRUNKING SYSTEM ACCESSORIES

HORIZONTAL ELBOW



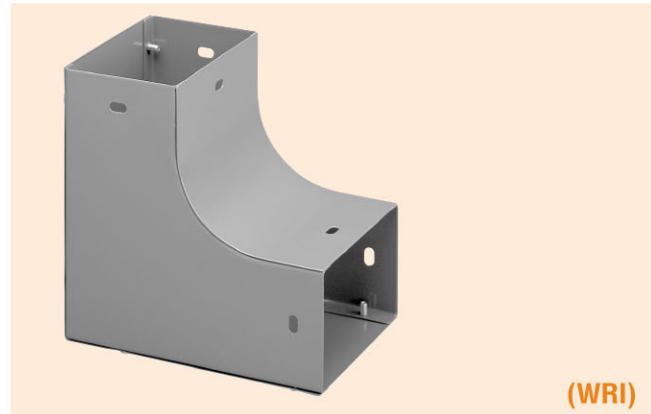
Material : ♦ Steel Sheet
 ♦ Galvanized Steel Sheet (Zinc)
 ♦ Aluzinc Steel Sheet
 ♦ Electro Galvanized Steel Sheet
 ♦ Aluminum Steel Sheet
 ♦ Stainless Steel Sheet
Finishing : ♦ Epoxy Powder Coat
 (Gray, White, Etc.)
 ♦ Hot Dip Galvanized after
 Fabrication
Thickness : ♦ 1.0, 1.2, 1.5, 1.6, 2.0 mm.

Code No.	Width (mm.)	Height (mm.)	Length (mm.)
UI-W / WLA-202	50	50	180
UI-W / WLA-302	75	50	205
UI-W / WLA-402	100	50	230
UI-W / WLA-403	100	75	230
UI-W / WLA-404	100	100	230
UI-W / WLA-604	150	100	280
UI-W / WLA-606	150	150	280
UI-W / WLA-804	200	100	330
UI-W / WLA-806	200	150	330
UI-W / WLA-1004	250	100	380
UI-W / WLA-1006	250	150	380
UI-W / WLA-1204	300	100	430
UI-W / WLA-1206	300	150	430
UI-W / WLA-1208	300	200	430

* The others sizes and materials are available upon request

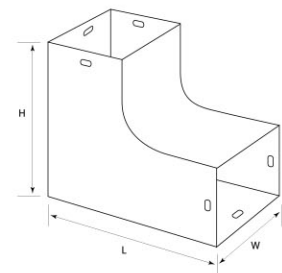
INSIDE VERTICAL RISER

Code No.	Width (mm.)	Height (mm.)	Length (mm.)
UI-W / WRI-202	50	50	180
UI-W / WRI-302	75	50	180
UI-W / WRI-402	100	50	180
UI-W / WRI-403	100	75	205
UI-W / WRI-404	100	100	230
UI-W / WRI-604	150	100	230
UI-W / WRI-606	150	150	280
UI-W / WRI-804	200	100	230
UI-W / WRI-806	200	150	280
UI-W / WRI-1004	250	100	230
UI-W / WRI-1006	250	150	280
UI-W / WRI-1204	300	100	230
UI-W / WRI-1206	300	150	280
UI-W / WRI-1208	300	200	330



(WRI)

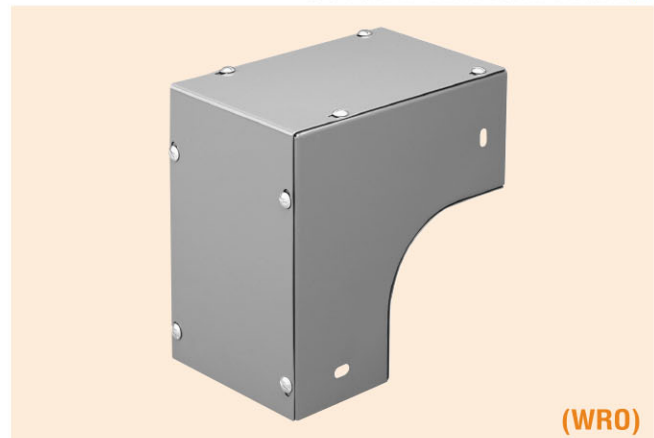
- Material :** ♦ Steel Sheet
 ♦ Galvanized Steel Sheet (Zinc)
 ♦ Aluzinc Steel Sheet
 ♦ Electro Galvanized Steel Sheet
 ♦ Aluminum Steel Sheet
 ♦ Stainless Steel Sheet
- Finishing :** ♦ Epoxy Powder Coat (Gray, White, Etc.)
 ♦ Hot Dip Galvanized after Fabrication
- Thickness :** ♦ 1.0, 1.2, 1.5, 1.6, 2.0 mm.



* The others sizes and materials are available upon request

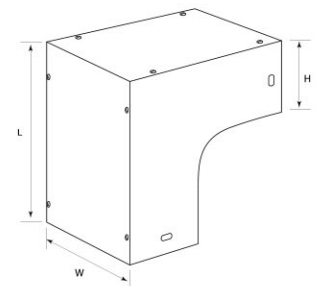
OUTSIDE VERTICAL RISER

Code No.	Width (mm.)	Height (mm.)	Length (mm.)
UI-W / WRO-202	50	50	180
UI-W / WRO-302	75	50	180
UI-W / WRO-402	100	50	180
UI-W / WRO-403	100	75	205
UI-W / WRO-404	100	100	230
UI-W / WRO-604	150	100	230
UI-W / WRO-606	150	150	280
UI-W / WRO-804	200	100	230
UI-W / WRO-806	200	150	280
UI-W / WRO-1004	250	100	230
UI-W / WRO-1006	250	150	280
UI-W / WRO-1204	300	100	230
UI-W / WRO-1206	300	150	280
UI-W / WRO-1208	300	200	330



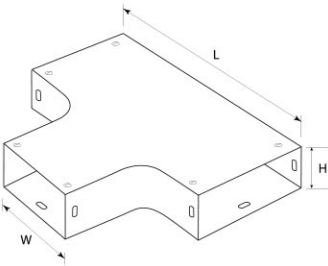
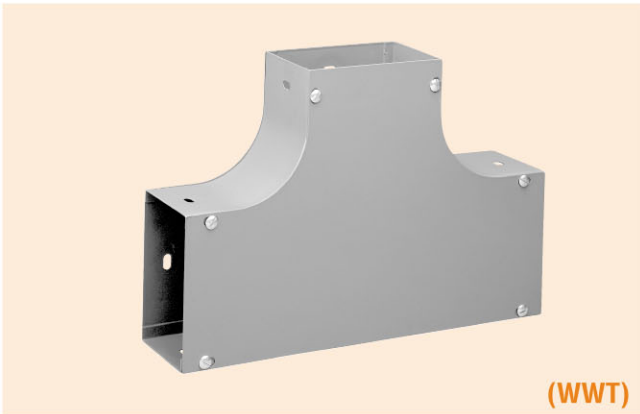
(WRO)

- Material :** ♦ Steel Sheet
 ♦ Galvanized Steel Sheet (Zinc)
 ♦ Aluzinc Steel Sheet
 ♦ Electro Galvanized Steel Sheet
 ♦ Aluminum Steel Sheet
 ♦ Stainless Steel Sheet
- Finishing :** ♦ Epoxy Powder Coat (Gray, White, Etc.)
 ♦ Hot Dip Galvanized after Fabrication
- Thickness :** ♦ 1.0, 1.2, 1.5, 1.6, 2.0 mm.



* The others sizes and materials are available upon request

HORIZONTAL TEE

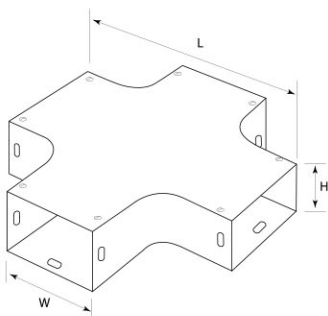
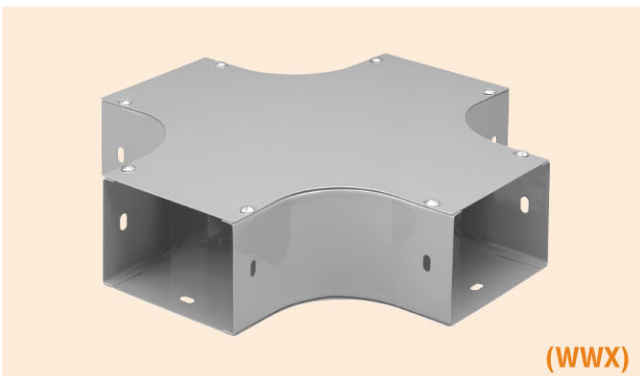


- Material :**
- ✦ Steel Sheet
 - ✦ Galvanized Steel Sheet (Zinc)
 - ✦ Aluzinc Steel Sheet
 - ✦ Electro Galvanized Steel Sheet
 - ✦ Aluminum Steel Sheet
 - ✦ Stainless Steel Sheet
- Finishing :**
- ✦ Epoxy Powder Coat (Gray, White, Etc.)
 - ✦ Hot Dip Galvanized after Fabrication
- Thickness :**
- ✦ 1.0, 1.2, 1.5, 1.6, 2.0 mm.

Code No.	Width (mm.)	Height (mm.)	Length (mm.)
UI-W / WWT-202	50	50	310
UI-W / WWT-302	75	50	335
UI-W / WWT-402	100	50	360
UI-W / WWT-403	100	75	360
UI-W / WWT-404	100	100	360
UI-W / WWT-604	150	100	410
UI-W / WWT-606	150	150	410
UI-W / WWT-804	200	100	460
UI-W / WWT-806	200	150	460
UI-W / WWT-1004	250	100	510
UI-W / WWT-1006	250	150	510
UI-W / WWT-1204	300	100	560
UI-W / WWT-1206	300	150	560
UI-W / WWT-1208	300	200	2440

* The others sizes and materials are available upon request

HORIZONTAL CROSSES



- Material :**
- ✦ Steel Sheet
 - ✦ Galvanized Steel Sheet (Zinc)
 - ✦ Aluzinc Steel Sheet
 - ✦ Electro Galvanized Steel Sheet
 - ✦ Aluminum Steel Sheet
 - ✦ Stainless Steel Sheet
- Finishing :**
- ✦ Epoxy Powder Coat (Gray, White, Etc.)
 - ✦ Hot Dip Galvanized after Fabrication
- Thickness :**
- ✦ 1.0, 1.2, 1.5, 1.6, 2.0 mm.

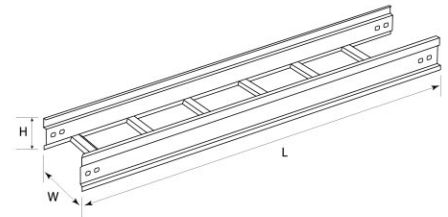
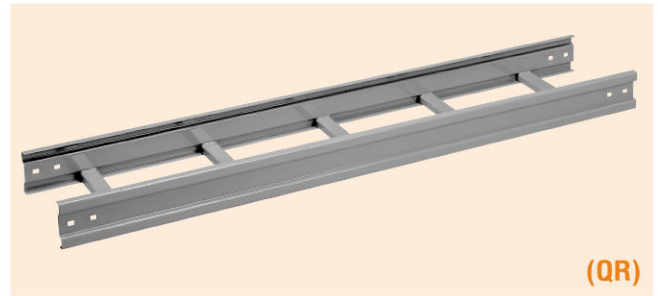
Code No.	Width (mm.)	Height (mm.)	Length (mm.)
UI-W / WWX-202	50	50	310
UI-W / WWX-302	75	50	335
UI-W / WWX-402	100	50	360
UI-W / WWX-403	100	75	360
UI-W / WWX-404	100	100	360
UI-W / WWX-604	150	100	410
UI-W / WWX-606	150	150	410
UI-W / WWX-804	200	100	460
UI-W / WWX-806	200	150	460
UI-W / WWX-1004	250	100	510
UI-W / WWX-1006	250	150	510
UI-W / WWX-1204	300	100	560
UI-W / WWX-1206	300	150	560
UI-W / WWX-1208	300	200	560

* The others sizes and materials are available upon request

CABLE LADDER

Code No.	Width (mm.)	Height (mm.)	Length (mm.)
UI-L / QR-20	200	100	3000
UI-L / QR-30	300	100	3000
UI-L / QR-40	400	100	3000
UI-L / QR-50	500	100	3000
UI-L / QR-60	600	100	3000
UI-L / QR-70	700	100	3000
UI-L / QR-80	800	100	3000
UI-L / QR-90	900	100	3000
UI-L / QR-100	1000	100	3000

* The others sizes and materials are available upon request



Standard Length : ❖ 3.0 M.

Material : ❖ Steel Sheet
❖ Galvanized Steel Sheet (Zinc)
❖ Aluzinc Steel Sheet
❖ Electro Galvanized Steel Sheet
❖ Aluminum Steel Sheet
❖ Stainless Steel Sheet

Finishing : ❖ Epoxy Powder Coat (Gray, White, Etc.)
❖ Hot Dip Galvanized after Fabrication

Thickness : ❖ Side rail thickness = 2.0 mm.
❖ Rung thickness = 2.0 mm.

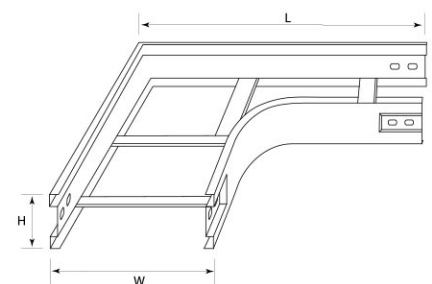
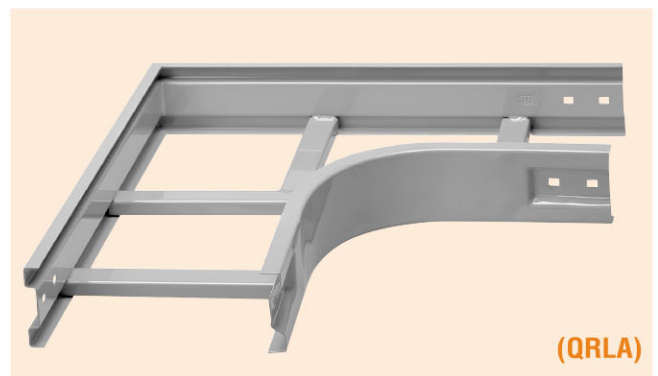
Rung Space : ❖ 300 mm.

CABLE LADDER SYSTEM ACCESSORIES

HORIZONTAL ELBOW

Code No.	Width (mm.)	Height (mm.)	Length (mm.)
UI-L / QRLA-20	200	100	565
UI-L / QRLA-30	300	100	665
UI-L / QRLA-40	400	100	765
UI-L / QRLA-50	500	100	865
UI-L / QRLA-60	600	100	965
UI-L / QRLA-70	700	100	1065
UI-L / QRLA-80	800	100	1165
UI-L / QRLA-90	900	100	1265
UI-L / QRLA-100	1000	100	1365

* The others sizes and materials are available upon request



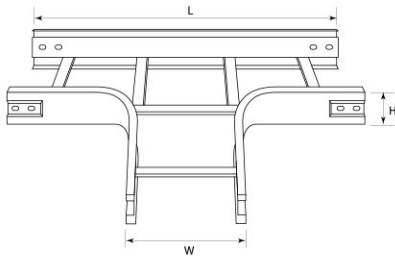
Material : ❖ Steel Sheet
❖ Galvanized Steel Sheet (Zinc)
❖ Aluzinc Steel Sheet
❖ Electro Galvanized Steel Sheet
❖ Aluminum Steel Sheet
❖ Stainless Steel Sheet

Finishing : ❖ Epoxy Powder Coat (Gray, White, Etc.)
❖ Hot Dip Galvanized after Fabrication

Thickness : ❖ Side rail thickness = 2.0 mm.
❖ Rung thickness = 2.0 mm.

CABLE LADDER SYSTEM ACCESSORIES

HORIZONTAL TEE



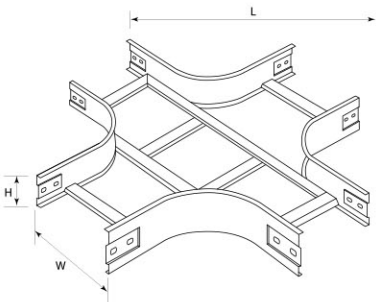
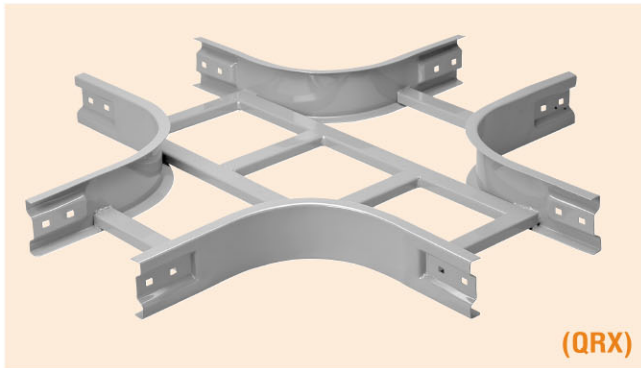
- Material** :
- ✦ Steel Sheet
 - ✦ Galvanized Steel Sheet (Zinc)
 - ✦ Aluzinc Steel Sheet
 - ✦ Electro Galvanized Steel Sheet
 - ✦ Aluminum Steel Sheet
 - ✦ Stainless Steel Sheet
- Finishing** :
- ✦ Epoxy Powder Coat (Gray, White, Etc.)
 - ✦ Hot Dip Galvanized after Fabrication
- Thickness** :
- ✦ Side rail thickness = 2.0 mm.
 - ✦ Rung thickness = 2.0 mm.

Code No.	Width (mm.)	Height (mm.)	Length (mm.)
UI-L / QRT20	200	100	930
UI-L / QRT-30	300	100	1030
UI-L / QRT-40	400	100	1130
UI-L / QRT-50	500	100	1230
UI-L / QRT-60	600	100	1330
UI-L / QRT-70	700	100	1430
UI-L / QRT-80	800	100	1530
UI-L / QRT-90	900	100	1630
UI-L / QRT-100	1000	100	1730

* The others sizes and materials are available upon request

CABLE LADDER SYSTEM ACCESSORIES

HORIZONTAL CROSSES



- Material** :
- ✦ Steel Sheet
 - ✦ Galvanized Steel Sheet (Zinc)
 - ✦ Aluzinc Steel Sheet
 - ✦ Electro Galvanized Steel Sheet
 - ✦ Aluminum Steel Sheet
 - ✦ Stainless Steel Sheet
- Finishing** :
- ✦ Epoxy Powder Coat (Gray, White, Etc.)
 - ✦ Hot Dip Galvanized after Fabrication
- Thickness** :
- ✦ Side rail thickness = 2.0 mm.
 - ✦ Rung thickness = 2.0 mm.

Code No.	Width (mm.)	Height (mm.)	Length (mm.)
UI-L / QRX-20	200	100	930
UI-L / QRX-30	300	100	1030
UI-L / QRX-40	400	100	1130
UI-L / QRX-50	500	100	1230
UI-L / QRX-60	600	100	1330
UI-L / QRX-70	700	100	1430
UI-L / QRX-80	800	100	1530
UI-L / QRX-90	900	100	1630
UI-L / QRX-100	1000	100	1730

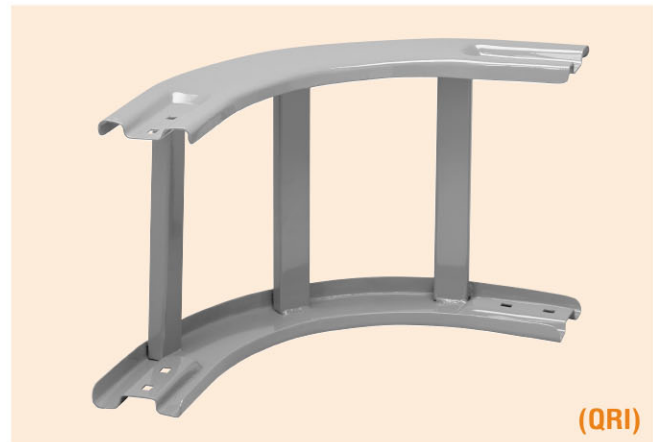
* The others sizes and materials are available upon request

INSIDE VERTICAL RISER

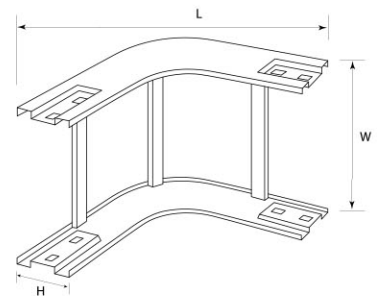
Code No.	Width (mm.)	Height (mm.)	Length (mm.)
UI-L / QRI-20	200	100	420
UI-L / QRI-30	300	100	420
UI-L / QRI-40	400	100	420
UI-L / QRI-50	500	100	420
UI-L / QRI-60	600	100	420
UI-L / QRI-70	700	100	420
UI-L / QRI-80	800	100	420
UI-L / QRI-90	900	100	420
UI-L / QRI-100	1000	100	420

* The others sizes and materials are available upon request

- Material :**
- ❖ Steel Sheet
 - ❖ Galvanized Steel Sheet (Zinc)
 - ❖ Aluzinc Steel Sheet
 - ❖ Electro Galvanized Steel Sheet
 - ❖ Aluminum Steel Sheet
 - ❖ Stainless Steel Sheet
- Finishing :**
- ❖ Epoxy Powder Coat (Gray, White, Etc.)
 - ❖ Hot Dip Galvanized after Fabrication
- Thickness :**
- ❖ Side rail thickness = 2.0 mm.
 - ❖ Rung thickness = 2.0 mm.



(QRI)



OUTSIDE VERTICAL RISER

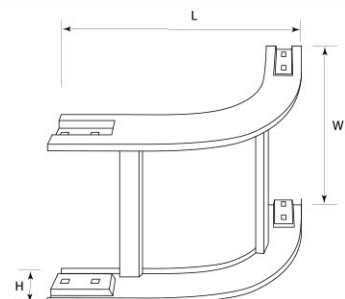
Code No.	Width (mm.)	Height (mm.)	Length (mm.)
UI-L / QRO-20	200	100	420
UI-L / QRO-30	300	100	420
UI-L / QRO-40	400	100	420
UI-L / QRO-50	500	100	420
UI-L / QRO-60	600	100	420
UI-L / QRO-70	700	100	420
UI-L / QRO-80	800	100	420
UI-L / QRO-90	900	100	420
UI-L / QRO-100	1000	100	420

* The others sizes and materials are available upon request

- Material :**
- ❖ Steel Sheet
 - ❖ Galvanized Steel Sheet (Zinc)
 - ❖ Aluzinc Steel Sheet
 - ❖ Electro Galvanized Steel Sheet
 - ❖ Aluminum Steel Sheet
 - ❖ Stainless Steel Sheet
- Finishing :**
- ❖ Epoxy Powder Coat (Gray, White, Etc.)
 - ❖ Hot Dip Galvanized after Fabrication
- Thickness :**
- ❖ Side rail thickness = 2.0 mm.
 - ❖ Rung thickness = 2.0 mm.

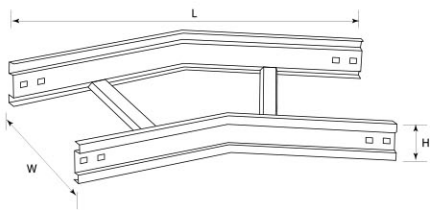
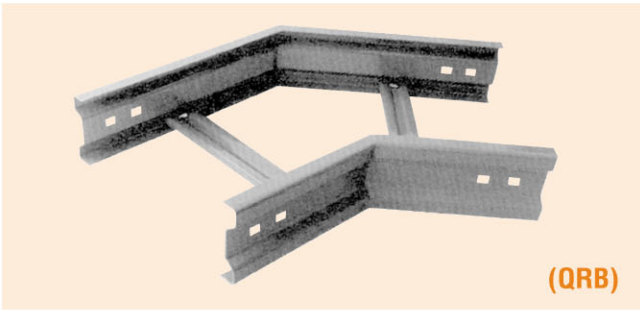


(QRO)



CABLE LADDER SYSTEM ACCESSORIES

HORIZONTAL 45 DEG. ELBOW



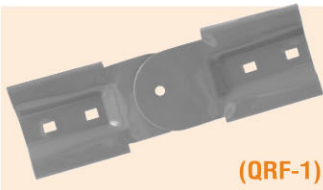
- Material :**
- ◆ Steel Sheet
 - ◆ Galvanized Steel Sheet (Zinc)
 - ◆ Aluzinc Steel Sheet
 - ◆ Electro Galvanized Steel Sheet
 - ◆ Aluminum Steel Sheet
 - ◆ Stainless Steel Sheet
- Finishing :**
- ◆ Epoxy Powder Coat (Gray, White, Etc.)
 - ◆ Hot Dip Galvanized after Fabrication
- Thickness :**
- ◆ Side rail thickness = 2.0 mm.
 - ◆ Rung thickness = 2.0 mm.

Code No.	Width (mm.)	Height (mm.)	Length (mm.)
UI-L / QRB20	200	100	350
UI-L / QRB-30	300	100	427
UI-L / QRB-40	400	100	503
UI-L / QRB-50	500	100	580
UI-L / QRB-60	600	100	565
UI-L / QRB-70	700	100	733
UI-L / QRB-80	800	100	810
UI-L / QRB-90	900	100	886
UI-L / QRB-100	1000	100	963

* The others sizes and materials are available upon request

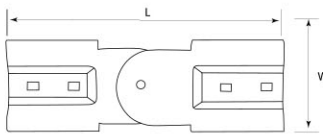
SPLICE PLATE ADJUSTABLE EXPANSION CABLE LADDER

VERTICAL ADJUSTABLE SPLICE PLATE



UI-L/QRF-EC	30 - 110 - 2	EPOXY
UI-L/QRF-HD	30 - 120 - 2	HOT DIP GAL
UI-L/QRF-AZ	30 - 130 - 2	ALUZINC

- Material :**
- ◆ Steel Sheet
 - ◆ Galvanized Steel Sheet (Zinc)
 - ◆ Aluzinc Steel Sheet
 - ◆ Electro Galvanized Steel Sheet
 - ◆ Aluminum Steel Sheet
 - ◆ Stainless Steel Sheet
- Finishing :**
- ◆ Epoxy Powder Coat (Gray, White, Etc.)
 - ◆ Hot Dip Galvanized after Fabrication
- Thickness :**
- ◆ Side rail thickness = 2.0 mm.
 - ◆ Rung thickness = 2.0 mm.

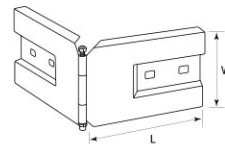


HORIZONTAL ADJUSTABLE SPLICE PLATE



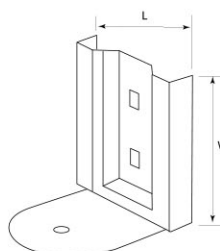
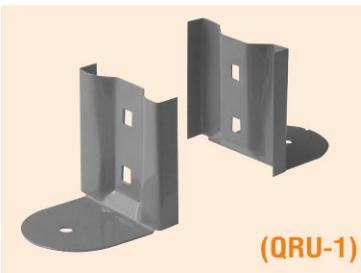
- Material :**
- ◆ Steel Sheet
 - ◆ Galvanized Steel Sheet (Zinc)
 - ◆ Aluzinc Steel Sheet
 - ◆ Electro Galvanized Steel Sheet
 - ◆ Aluminum Steel Sheet
 - ◆ Stainless Steel Sheet
- Finishing :**
- ◆ Epoxy Powder Coat (Gray, White, Etc.)
 - ◆ Hot Dip Galvanized after Fabrication
- Thickness :**
- ◆ Side rail thickness = 2.0 mm.
 - ◆ Rung thickness = 2.0 mm.

UI-L/RJO	30 - 110 - 4	EPOXY
UI-L/RJO	30 - 120 - 4	HOT DIP GAL
UI-L/RJO	30 - 130 - 4	ALUZINC



90° SPLICE PLATE JOGGLED EXPANSION CABLE LADDER

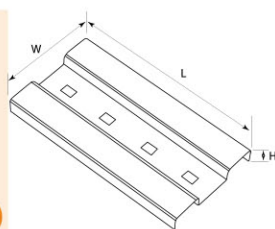
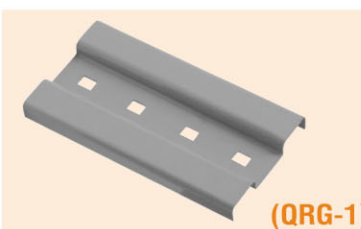
90 DEG. SPLICE PLATE



- Material :**
- ◆ Steel Sheet
 - ◆ Galvanized Steel Sheet (Zinc)
 - ◆ Aluzinc Steel Sheet
 - ◆ Electro Galvanized Steel Sheet
 - ◆ Aluminum Steel Sheet
 - ◆ Stainless Steel Sheet
- Finishing :**
- ◆ Epoxy Powder Coat (Gray, White, Etc.)
 - ◆ Hot Dip Galvanized after Fabrication
- Thickness :**
- ◆ Side rail thickness = 2.0 mm.
 - ◆ Rung thickness = 2.0 mm.

UI-L/QRU-EC	30 - 110 - 3	EPOXY
UI-L/QRU-HD	30 - 120 - 3	HOT DIP GAL
UI-L/QRU-AZ	30 - 130 - 3	ALUZINC

SPLICE PLATE CABLE LADDER



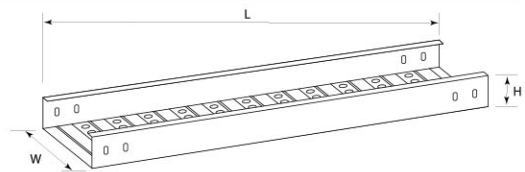
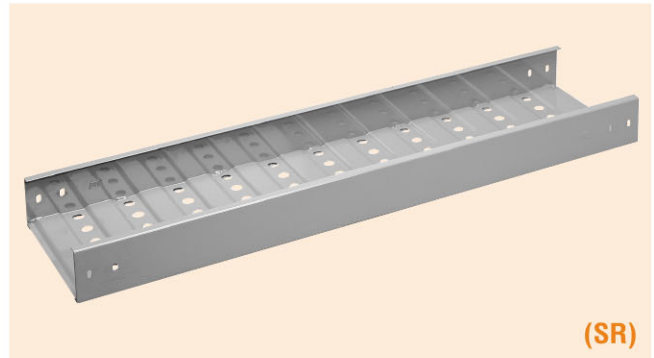
- Material :**
- ◆ Steel Sheet
 - ◆ Galvanized Steel Sheet (Zinc)
 - ◆ Aluzinc Steel Sheet
 - ◆ Electro Galvanized Steel Sheet
 - ◆ Aluminum Steel Sheet
 - ◆ Stainless Steel Sheet
- Finishing :**
- ◆ Epoxy Powder Coat (Gray, White, Etc.)
 - ◆ Hot Dip Galvanized after Fabrication
- Thickness :**
- ◆ Side rail thickness = 2.0 mm.
 - ◆ Rung thickness = 2.0 mm.

UI-L/QRG-EC	30 - 110 - 1	EPOXY
UI-L/QRG-HD	30 - 120 - 1	HOT DIP GAL
UI-L/QRG-AZ	30 - 130 - 1	ALUZINC

CABLE TRAY (HEAVE-DUTY)

Code No.	Width (mm.)	Height (mm.)	Length (mm.)
UI-T / SR-20	200	100	2,400
UI-T / SR-30	300	100	2,400
UI-T / SR-40	400	100	2,400
UI-T / SR-50	500	100	2,400
UI-T / SR-60	600	100	2,400
UI-T / SR-70	700	100	2,400
UI-T / SR-80	800	100	2,400
UI-T / SR-90	900	100	2,400
UI-T / SR-100	1000	100	2,400

* The others sizes and materials are available upon request



Standard Length : ❖ 2.40 M.

❖ 3.00 M. (Special request)

Material :

- ❖ Steel Sheet
- ❖ Galvanized Steel Sheet (Zinc)
- ❖ Aluzinc Steel Sheet
- ❖ Electro Galvanized Steel Sheet
- ❖ Aluminum Steel Sheet
- ❖ Stainless Steel Sheet

Finishing : ❖ Epoxy Powder Coat (Gray, White, Etc.)

❖ Hot Dip Galvanized after Fabrication

Thickness :

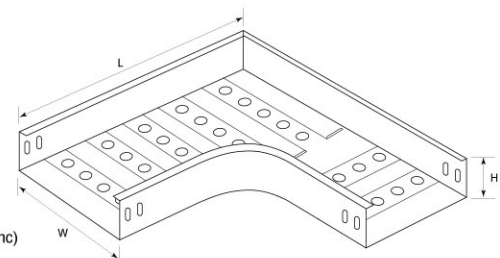
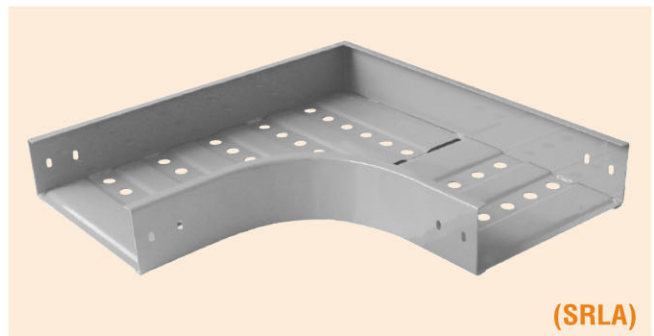
- ❖ Side rail thickness = 2.0 mm.
- ❖ Tray thickness = 1.6, 2.0 mm.

CABLE TRAY SYSTEM ACCESSORIES

HORIZONTAL ELBOW 90

Code No.	Width (mm.)	Height (mm.)	Length (mm.)
UI-T / SRLA-20	200	100	520
UI-T / SRLA-30	300	100	620
UI-T / SRLA-40	400	100	720
UI-T / SRLA-50	500	100	820
UI-T / SRLA-60	600	100	920
UI-T / SRLA-70	700	100	1020
UI-T / SRLA-80	800	100	1120
UI-T / SRLA-90	900	100	1220
UI-T / SRLA-100	1000	100	1320

* The others sizes and materials are available upon request



Material : ❖ Steel Sheet

❖ Galvanized Steel Sheet (Zinc)

❖ Aluzinc Steel Sheet

❖ Electro Galvanized Steel Sheet

❖ Aluminum Steel Sheet

❖ Stainless Steel Sheet

Finishing : ❖ Epoxy Powder Coat (Gray, White, Etc.)

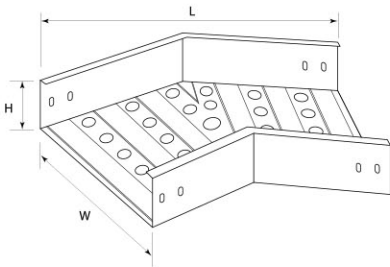
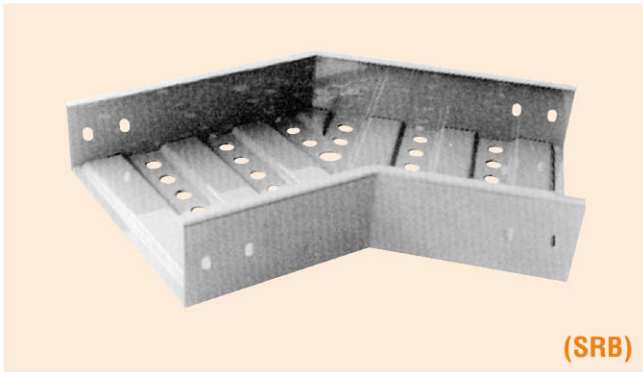
❖ Hot Dip Galvanized after Fabrication

Thickness : ❖ Side rail thickness = 2.0 mm.

❖ Tray thickness = 1.6, 2.0 mm.

CABLE TRAY SYSTEM ACCESSORIES

HORIZONTAL 45 DEG. ELBOW



(SRB)

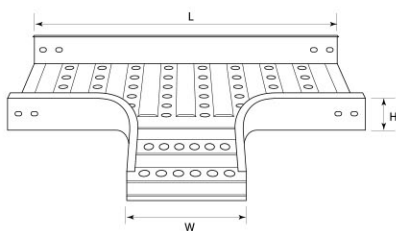
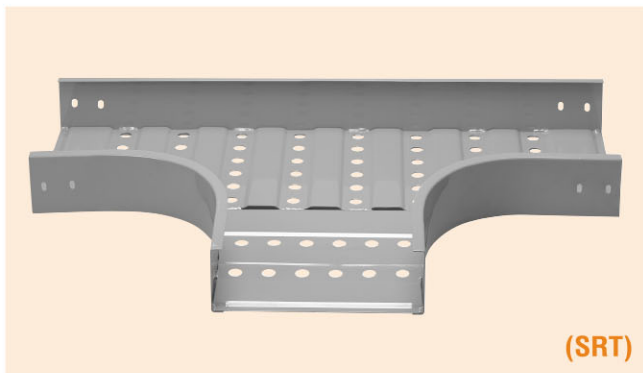
Code No.	Width (mm.)	Height (mm.)	Length (mm.)
UI-T / SRB-20	200	100	340
UI-T / SRB-30	300	100	410
UI-T / SRB-40	400	100	487
UI-T / SRB-50	500	100	563
UI-T / SRB-60	600	100	640
UI-T / SRB-70	700	100	716
UI-T / SRB-80	800	100	793
UI-T / SRB-90	900	100	870
UI-T / SRB-100	1000	100	946

* The others sizes and materials are available upon request

- Material :**
- ❖ Steel Sheet
 - ❖ Galvanized Steel Sheet (Zinc)
 - ❖ Aluzinc Steel Sheet
 - ❖ Electro Galvanized Steel Sheet
 - ❖ Aluminum Steel Sheet
 - ❖ Stainless Steel Sheet
- Finishing :**
- ❖ Epoxy Powder Coat (Gray, White, Etc.)
 - ❖ Hot Dip Galvanized after Fabrication
- Thickness :**
- ❖ Side rail thickness = 2.0 mm.
 - ❖ Tray thickness = 1.6, 2.0 mm.

CABLE TRAY SYSTEM ACCESSORIES

HORIZONTAL TEE



(SRT)

Code No.	Width (mm.)	Height (mm.)	Length (mm.)
UI-W / SRT-20	200	100	840
UI-W / SRT-30	300	100	940
UI-W / SRT-40	400	100	1040
UI-W / SRT-50	500	100	1140
UI-W / SRT-60	600	100	1240
UI-W / SRT-70	700	100	1340
UI-W / SRT-80	800	100	1440
UI-W / SRT-90	900	100	1540
UI-W / SRT-100	1000	100	1640

* The others sizes and materials are available upon request

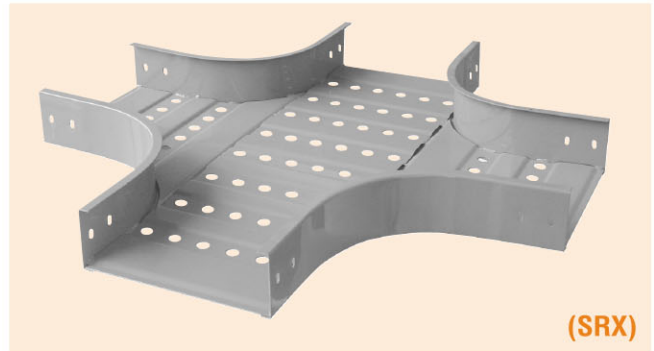
- Material :**
- ❖ Steel Sheet
 - ❖ Galvanized Steel Sheet (Zinc)
 - ❖ Aluzinc Steel Sheet
 - ❖ Electro Galvanized Steel Sheet
 - ❖ Aluminum Steel Sheet
 - ❖ Stainless Steel Sheet
- Finishing :**
- ❖ Epoxy Powder Coat (Gray, White, Etc.)
 - ❖ Hot Dip Galvanized after Fabrication
- Thickness :**
- ❖ Side rail thickness = 2.0 mm.
 - ❖ Tray thickness = 1.6, 2.0 mm.

HORIZONTAL CROSSES

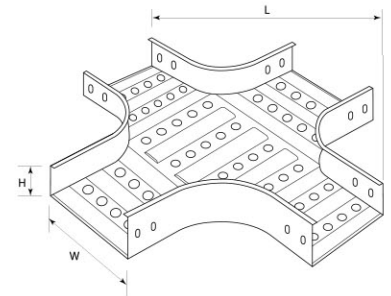
Code No.	Width (mm.)	Height (mm.)	Length (mm.)
UI-T / SRX-20	200	100	840
UI-T / SRX-30	300	100	940
UI-T / SRX-40	400	100	1040
UI-T / SRX-50	500	100	1140
UI-T / SRX-60	600	100	1240
UI-T / SRX-70	700	100	1340
UI-T / SRX-80	800	100	1440
UI-T / SRX-90	900	100	1540
UI-T / SRX-100	1000	100	1640

* The others sizes and materials are available upon request

- Material :**
- ❖ Steel Sheet
 - ❖ Galvanized Steel Sheet (Zinc)
 - ❖ Aluzinc Steel Sheet
 - ❖ Electro Galvanized Steel Sheet
 - ❖ Aluminum Steel Sheet
 - ❖ Stainless Steel Sheet
- Finishing :**
- ❖ Epoxy Powder Coat (Gray, White, Etc.)
 - ❖ Hot Dip Galvanized after Fabrication
- Thickness :**
- ❖ Side rail thickness = 2.0 mm.
 - ❖ Tray thickness = 1.6, 2.0 mm.



(SRX)

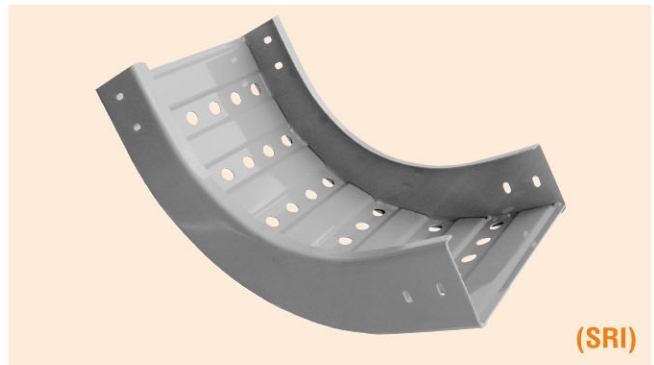


INSIDE VERTICAL RISER

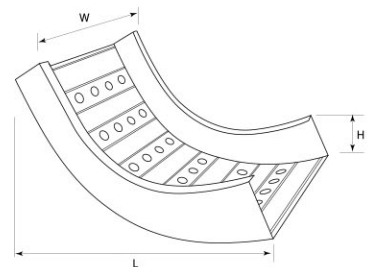
Code No.	Width (mm.)	Height (mm.)	Length (mm.)
UI-T / SRI-20	200	100	420
UI-T / SRI-30	300	100	420
UI-T / SRI-40	400	100	420
UI-T / SRI-50	500	100	420
UI-T / SRI-60	600	100	420
UI-T / SRI-70	700	100	420
UI-T / SRI-80	800	100	420
UI-T / SRI-90	900	100	420
UI-T / SRI-100	1000	100	420

* The others sizes and materials are available upon request

- Material :**
- ❖ Steel Sheet
 - ❖ Galvanized Steel Sheet (Zinc)
 - ❖ Aluzinc Steel Sheet
 - ❖ Electro Galvanized Steel Sheet
 - ❖ Aluminum Steel Sheet
 - ❖ Stainless Steel Sheet
- Finishing :**
- ❖ Epoxy Powder Coat (Gray, White, Etc.)
 - ❖ Hot Dip Galvanized after Fabrication
- Thickness :**
- ❖ Side rail thickness = 2.0 mm.
 - ❖ Tray thickness = 1.6, 2.0 mm.



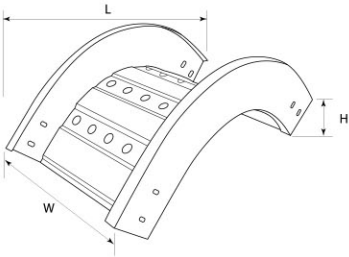
(SRI)



OUTSIDE VERTICAL RISER



(SRO)



- Material :**
- ◆ Steel Sheet
 - ◆ Galvanized Steel Sheet (Zinc)
 - ◆ Aluzinc Steel Sheet
 - ◆ Electro Galvanized Steel Sheet
 - ◆ Aluminum Steel Sheet
 - ◆ Stainless Steel Sheet

- Finishing :**
- ◆ Epoxy Powder Coat (Gray, White, Etc.)
 - ◆ Hot Dip Galvanized after Fabrication

- Thickness :**
- ◆ Side rail thickness = 2.0 mm.
 - ◆ Tray thickness = 1.6, 2.0 mm.

Code No.	Width (mm.)	Height (mm.)	Length (mm.)
UI-T / SRO-20	200	100	420
UI-T / SRO-30	300	100	420
UI-T / SRO-40	400	100	420
UI-T / SRO-50	500	100	420
UI-T / SRO-60	600	100	420
UI-T / SRO-70	700	100	420
UI-T / SRO-80	800	100	420
UI-T / SRO-90	900	100	420
UI-T / SRO-100	1000	100	420

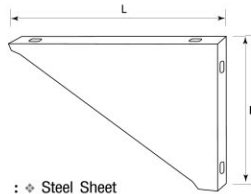
* The others sizes and materials are available upon request

BRACKET : UI-BKR & BKL

BRACKETS



(NPR-BKR & NPR-BKL)



- Material :**
- ◆ Steel Sheet
 - ◆ Galvanized Steel Sheet (Zinc)
 - ◆ Aluzinc Steel Sheet
 - ◆ Electro Galvanized Steel Sheet
 - ◆ Aluminum Steel Sheet
 - ◆ Stainless Steel Sheet

- Finishing :**
- ◆ Epoxy Powder Coat (Gray, White, Etc.)
 - ◆ Hot Dip Galvanized after Fabrication

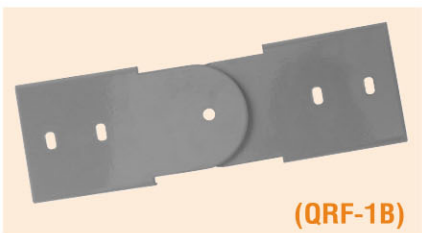
- Thickness :**
- ◆ Side rail thickness = 2.0 mm.
 - ◆ Tray thickness = 1.6, 2.0 mm.

Type	Type
UI-BK / (BKR)-(BKL)-20	UI-BK / (BKR)-(BKL)-70
UI-BK / (BKR)-(BKL)-30	UI-BK / (BKR)-(BKL)-80
UI-BK / (BKR)-(BKL)-40	UI-BK / (BKR)-(BKL)-90
UI-BK / (BKR)-(BKL)-50	UI-BK / (BKR)-(BKL)-100
UI-BK / (BKR)-(BKL)-60	

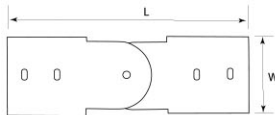
หมายเหตุ : BKR (Right) = เป็นรองรับด้านขวา
BKL (Left) = เป็นรองรับด้านซ้าย

SPLICE PLATE ADJUSTABLE EXPANSION CABLE TRAY

VERTICAL ADJUSTABLE SPLICE PLATE



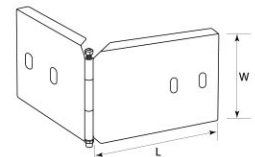
(QRF-1B)



HORIZONTAL ADJUSTABLE SPLICE PLATE



(RJO)



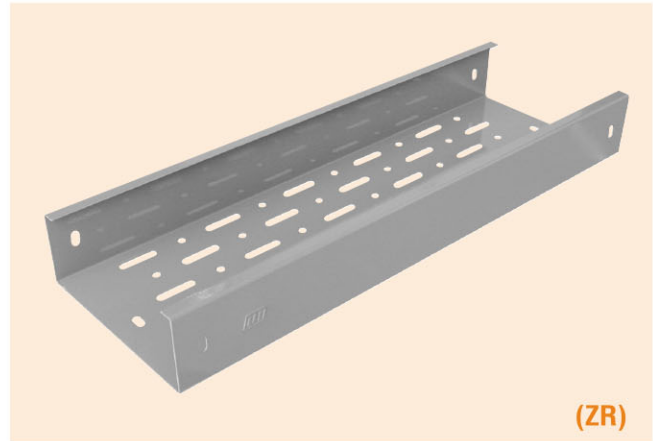
UI-L/QRF-EC	30 - 110 - 1B	EPOXY
UI-L/QRF-HD	30 - 120 - 1B	HOT DIP GAL
UI-L/QRF-AZ	30 - 130 - 1B	ALUZINC

UI-T/RJO	30 - 110 - 5	EPOXY
UI-T/RJO	30 - 120 - 5	HOT DIP GAL
UI-T/RJO	30 - 130 - 5	ALUZINC

PERFORATED CABLE TRAY

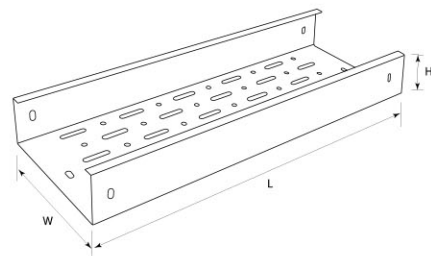
Code No.	Width (mm.)	Height (mm.)	Length (mm.)
UI-T / ZR-20	200	100	2,400
UI-T / ZR-30	300	100	2,400
UI-T / ZR-40	400	100	2,400
UI-T / ZR-50	500	100	2,400
UI-T / ZR-60	600	100	2,400
UI-R / ZR-70	700	100	2,400
UI-T / ZR-80	800	100	2,400

* The others sizes and materials are available upon request



(ZR)

- Standard Length :** 2.44 M.
- Material :**
- ❖ Steel Sheet
 - ❖ Galvanized Steel Sheet (Zinc)
 - ❖ Aluzinc Steel Sheet
 - ❖ Electro Galvanized Steel Sheet
 - ❖ Aluminum Steel Sheet
 - ❖ Stainless Steel Sheet
- Finishing :**
- ❖ Epoxy Powder Coat (Gray, White, Etc.)
 - ❖ Hot Dip Galvanized after Fabrication
- Thickness :**
- ❖ 1.0, 1.2, 1.5, 1.6, 2.0 mm.

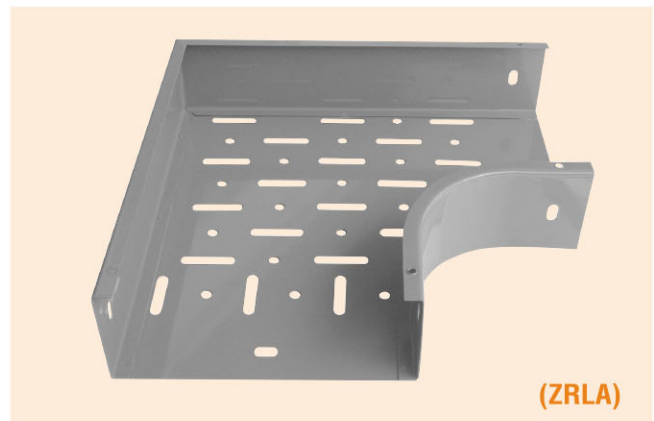


CABLE TRAY SYSTEM ACCESSORIES-ZR

HORIZONTAL ELBOW PERFORATED CABLE TRAY

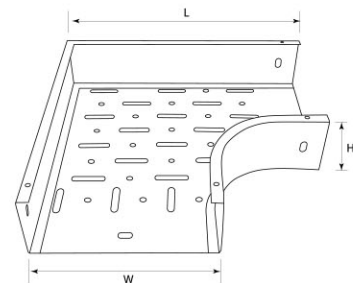
Code No.	Width (mm.)
UI-T / ZRLA-20	200
UI-T / ZRLA-30	300
UI-T / ZRLA-40	400
UI-T / ZRLA-50	500
UI-T / ZRLA-60	600
UI-T / ZRLA-70	700

* The others sizes and materials are available upon request

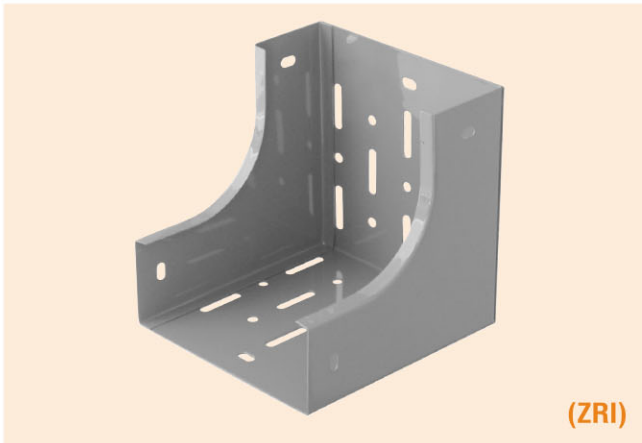


(ZRLA)

- Material :**
- ❖ Steel Sheet
 - ❖ Galvanized Steel Sheet (Zinc)
 - ❖ Aluzinc Steel Sheet
 - ❖ Electro Galvanized Steel Sheet
 - ❖ Aluminum Steel Sheet
 - ❖ Stainless Steel Sheet
- Finishing :**
- ❖ Epoxy Powder Coat (Gray, White, Etc.)
 - ❖ Hot Dip Galvanized after Fabrication
- Thickness :**
- ❖ 1.0, 1.2, 1.5, 1.6, 2.0 mm.

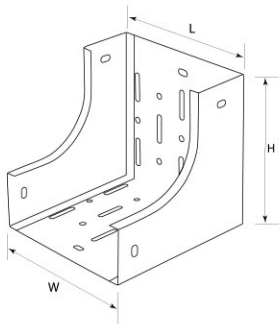


INSIDE VERTICAL RISER PERFORATED CABLE TRAY



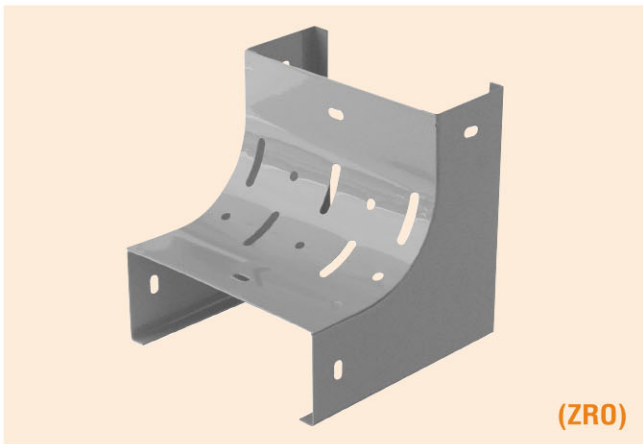
Code No.	Width (mm.)
UI-T / ZRI-10	100
UI-T / ZRI-20	200
UI-T / ZRI-30	300
UI-T / ZRI-40	400
UI-T / ZRI-50	500

* The others sizes and materials are available upon request



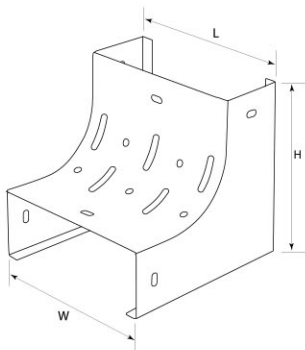
- Material** : ♦ Steel Sheet
 ♦ Galvanized Steel Sheet (Zinc)
 ♦ Aluzinc Steel Sheet
 ♦ Electro Galvanized Steel Sheet
 ♦ Aluminum Steel Sheet
 ♦ Stainless Steel Sheet
- Finishing** : ♦ Epoxy Powder Coat (Gray, White, Etc.)
 ♦ Hot Dip Galvanized after Fabrication
- Thickness** : ♦ 1.0, 1.2, 1.5, 1.6, 2.0 mm.

OUTSIDE VERTICAL RISER PERFORATED CABLE TRAY



Code No.	Width (mm.)
UI-T / ZRO-10	100
UI-T / ZRO-20	200
UI-T / ZRO-30	300
UI-T / ZRO-40	400
UI-T / ZRO-50	500

* The others sizes and materials are available upon request

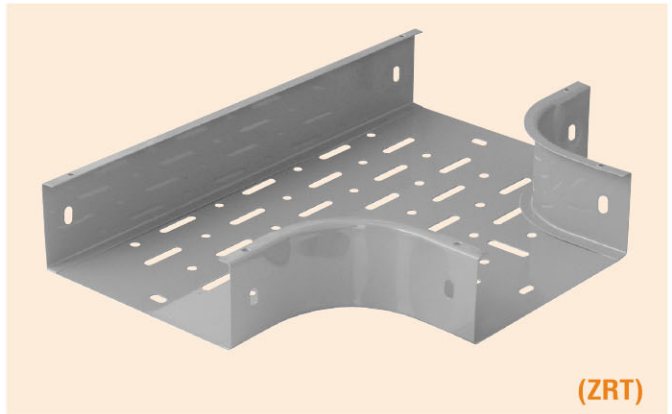


- Material** : ♦ Steel Sheet
 ♦ Galvanized Steel Sheet (Zinc)
 ♦ Aluzinc Steel Sheet
 ♦ Electro Galvanized Steel Sheet
 ♦ Aluminum Steel Sheet
 ♦ Stainless Steel Sheet
- Finishing** : ♦ Epoxy Powder Coat (Gray, White, Etc.)
 ♦ Hot Dip Galvanized after Fabrication
- Thickness** : ♦ 1.0, 1.2, 1.5, 1.6, 2.0 mm.

HORIZONTAL TEE PERFORATED CABLE TRAY

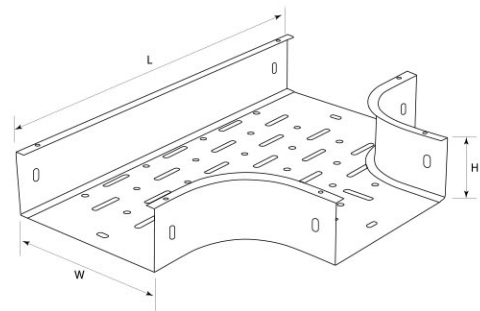
Code No.	Width (mm.)
UI-T / ZRT-20	200
UI-T / ZRT-30	300
UI-T / ZRT-40	400
UI-T / ZRT-50	500
UI-T / ZRT-60	600
UI-T / ZRT-70	700

* The others sizes and materials are available upon request



(ZRT)

- Material** :
- ◆ Steel Sheet
 - ◆ Galvanized Steel Sheet (Zinc)
 - ◆ Aluzinc Steel Sheet
 - ◆ Electro Galvanized Steel Sheet
 - ◆ Aluminum Steel Sheet
 - ◆ Stainless Steel Sheet
- Finishing** :
- ◆ Epoxy Powder Coat (Gray, White, Etc.)
 - ◆ Hot Dip Galvanized after Fabrication
- Thickness** :
- ◆ 1.0, 1.2, 1.5, 1.6, 2.0 mm.

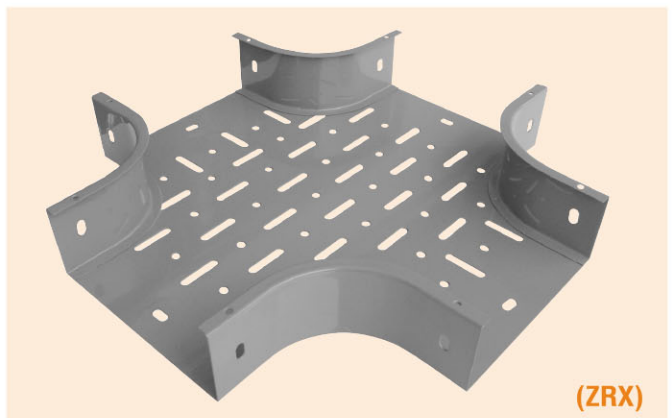


CABLE TRAY SYSTEM ACCESSORIES

HORIZONTAL CROSSES PERFORATED CABLE TRAY

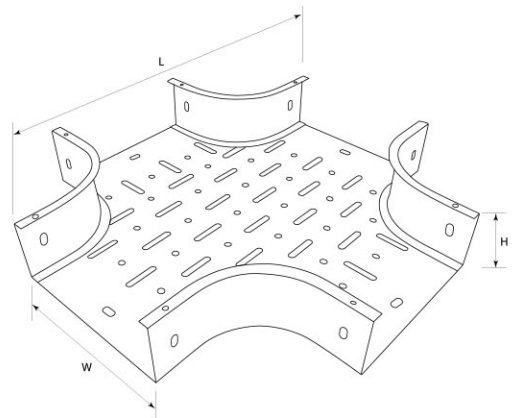
Code No.	Width (mm.)
UI-T / ZRX-20	200
UI-T / ZRX-30	300
UI-T / ZRX-40	400
UI-T / ZRX-50	500
UI-T / ZRX-60	600
UI-T / ZRX-70	700

* The others sizes and materials are available upon request



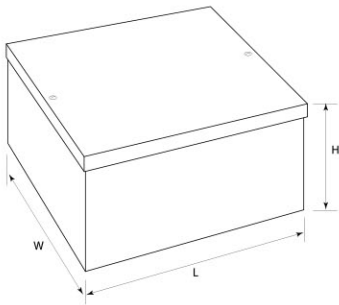
(ZRX)

- Material** :
- ◆ Steel Sheet
 - ◆ Galvanized Steel Sheet (Zinc)
 - ◆ Aluzinc Steel Sheet
 - ◆ Electro Galvanized Steel Sheet
 - ◆ Aluminum Steel Sheet
 - ◆ Stainless Steel Sheet
- Finishing** :
- ◆ Epoxy Powder Coat (Gray, White, Etc.)
 - ◆ Hot Dip Galvanized after Fabrication
- Thickness** :
- ◆ 1.0, 1.2, 1.5, 1.6, 2.0 mm.



CABLE TRAY SYSTEM ACCESSORIES

PULL BOX



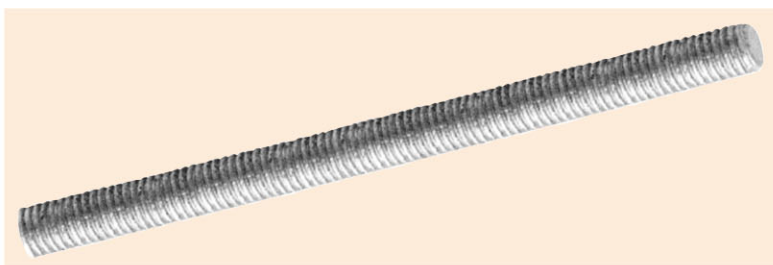
- Material** : ❖ Steel Sheet
 ❖ Galvanized Steel Sheet (Zinc)
 ❖ Aluzinc Steel Sheet
 ❖ Electro Galvanized Steel Sheet
 ❖ Aluminum Steel Sheet
 ❖ Stainless Steel Sheet
- Finishing** : ❖ Epoxy Powder Coat (Gray, White, Etc.)
 ❖ Hot Dip Galvanized after Fabrication
- Thickness** : ❖ 1.0, 1.2, 1.5, 1.6, 2.0 mm.

Code No.	Size INC.
UI - SPB - 001	6" x 6" x 4"
UI - SPB - 001	6" x 8" x 4"
UI - SPB - 001	8" x 8" x 4"
UI - SPB - 001	8" x 10" x 4"
UI - SPB - 001	10" x 10" x 4"
UI - SPB - 001	10" x 12" x 4"
UI - SPB - 001	12" x 12" x 4"
UI - SPB - 001	14" x 14" x 4"
UI - SPB - 001	6" x 6" x 6"
UI - SPB - 001	8" x 8" x 6"
UI - SPB - 001	10" x 10" x 6"
UI - SPB - 001	12" x 12" x 6"
UI - SPB - 001	14" x 14" x 6"
UI - SPB - 001	16" x 16" x 6"

* The others sizes and materials are available upon request

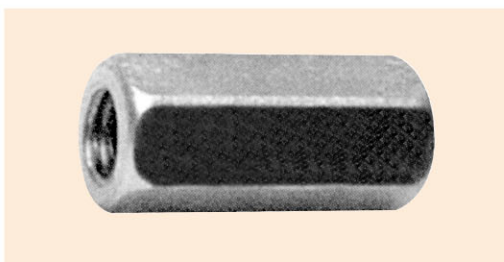
CABLE TRAY SYSTEM ACCESSORIES

C-CHANNEL HANGER ROD



Code No.	Size	Length (mm.)
UI-33/CHD1010	3/8"	1000
UI-33/CHD1015	3/8"	1500
UI-33/CHD1110	1/2"	1000
UI-33/CHD1115	1/2"	1500

HEXAGON COUPLING



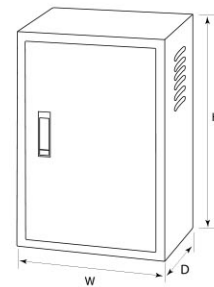
Code No.	Size
UI-33/CHC1010	3/8"
UI-33/CHC1015	1/2"

* The others sizes and materials are available upon request

Type	Dimension in mm.		
	Width	Height	Depth
UI - TC 1	280	350	150
UI - TC 2	300	450	150
UI - TC 3	350	450	150
UI - TC 4	300	450	200
UI - TC 5	350	450	200
UI - TC 6	350	500	200
UI - TC 7	400	550	200
UI - TC 8	450	600	200
UI - TC 9	450	600	200
UI - TC 10	500	600	200
UI - TC 11	500	600	250
UI - TC 12	550	700	250
UI - TC 13	630	750	250
UI - TC 14	630	900	250



UI-TC



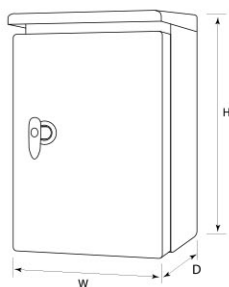
The UI-TC Type now available in 14 practical size for every application.

Available in both pre-drilled wall mounting and inside mounting plate.

Every parts of the cabinets use standard steel sheet and electrostatic spray in modern paints shop.



UI-WPD



Type	Dimension In mm.		
	Width	Height	Depth
UI - WPD 1	300	400	150
UI - WPD 2	300	500	150
UI - WPD 3	400	600	200
UI - WPD 4	500	600	200
UI - WPD 5	500	700	200
UI - WPD 6	600	800	200
UI - WPD 7	600	1000	300
UI - WPD 8	700	1200	300

The UI WPD Type cabinets are the unbeatable corrosion protection now in 8 models are available.

Cabinets are corrosion-proof for a long period of time, impervious to dust and moisture and very strong.

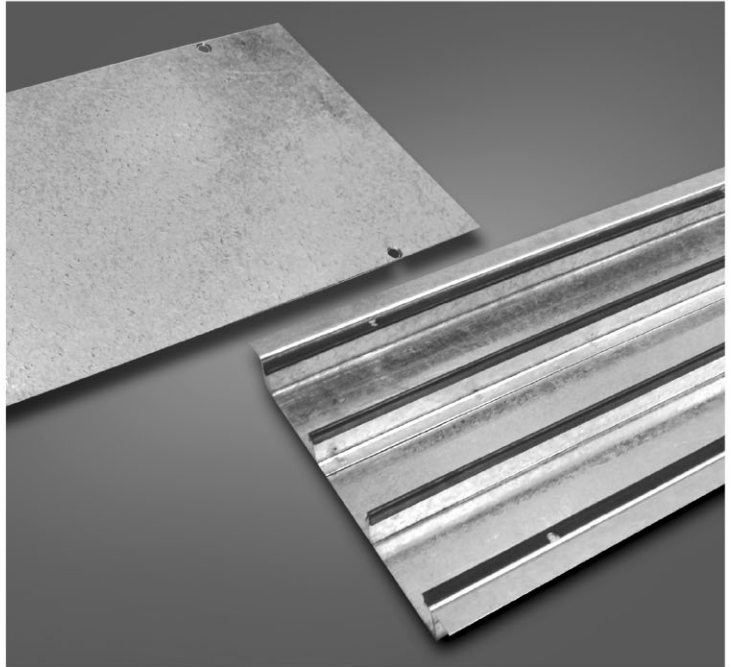
Every part of the cabinet uses standard steel sheet.

The cover has sealing gasket and rubber seal.

Modular covers facilitate easy access to the cables for maintenance purposes. Flushfloor service outlet boxes can be installed on the cover.

Natural rubber gaskets are used on flange edges and partitions to cushion the covers, thus reducing noise transmission when the covers are stepped upon.

"UI" Standard flushfloor trunkings are supplied with screw-on type covers.



Trunking Specification

- Material :** Galvanized steel sheet
- Thickness :** Body 1.5 mm , Cover 2.0 mm
- Length of Body:** 2400 mm
- Length of Cover:** 400 mm (6 nos per trunking)
- Width :**
 - 150 mm - 1 compartment
 - 150 mm - 2 compartments
 - 150 mm - 3 compartments
 - 225 mm - 2 compartments
 - 225 mm - 3 compartments
 - 300 mm - 3 compartments
- Depth :** 50 mm

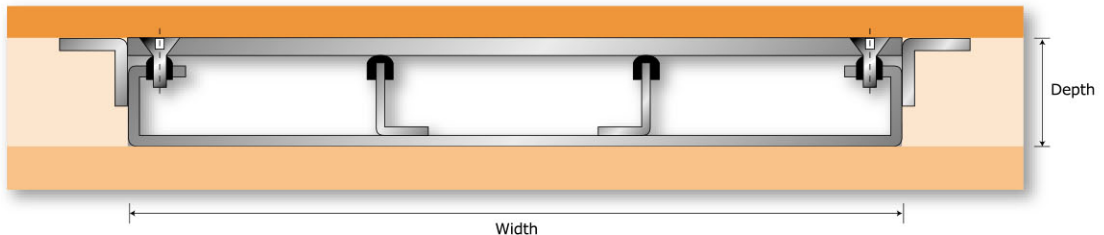
**Remark-Other material, sizes and compartment configurations are available on order

Model	Size (mm)		Compartments	Compartments Size		
	W	H		1st mm	2nd mm	3rd mm
UI-FT 150/1	150	50	1	150	-	-
UI-FT 150/2	150	50	2	75	75	-
UI-FT 150/3	150	50	3	50	50	50
UI-FT 225/2	225	50	2	112.5	112.5	-
UI-FT 225/3	225	50	3	75	75	75
UI-FT 300/3	300	50	3	100	100	100

Tolerance

All connections are subject to local tolerance during installation on site

Cross Section

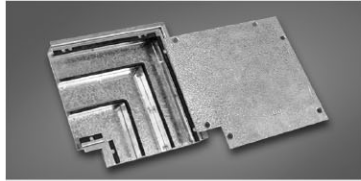


Flushfloor Trunking System

"UI" cross, tee and elbow junction boxes are supplied with flyovers.
 Body of boxes and elbow is formed from 1.5 mm galvanized steel sheet.
 All covers are formed from 2.0 mm galvanized steel sheet.

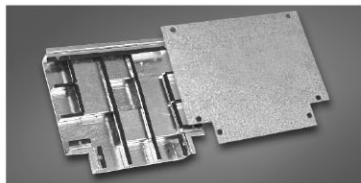
"UI" cross, tee and elbow boxes are designed on a modular concept to suit "UI" flushfloor trunking system.

Elbow Box



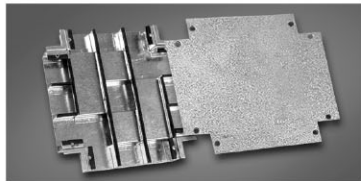
Model	Size (mm)		Compartments	Compartments Size		
	W	H		1st mm	2nd mm	3rd mm
UI-FEB150/1	150	50	1	150	-	-
UI-FEB150/2	150	50	2	75	75	-
UI-FEB150/3	150	50	3	50	50	50
UI-FEB225/2	225	50	2	112.5	112.5	-
UI-FEB225/3	225	50	3	75	75	75
UI-FEB300/3	300	50	3	100	100	100

Tee Junction Box



Model	Size (mm)		Compartments	Compartments Size		
	W	H		1st mm	2nd mm	3rd mm
UI-FTJ150/1	150	50	1	150	-	-
UI-FTJ150/2	150	50	2	75	75	-
UI-FTJ150/3	150	50	3	50	50	50
UI-FTJ225/2	225	50	2	112.5	112.5	-
UI-FTJ225/3	225	50	3	75	75	75
UI-FTJ300/3	300	50	3	100	100	100

Cross Junction Box



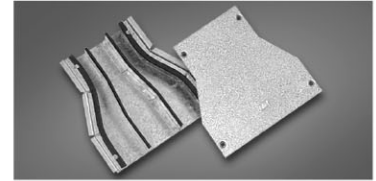
Model	Size (mm)		Compartments	Compartments Size		
	W	H		1st mm	2nd mm	3rd mm
UI-FCJ150/1	150	50	1	150	-	-
UI-FCJ150/2	150	50	2	75	75	-
UI-FCJ150/3	150	50	3	50	50	50
UI-FCJ225/2	225	50	2	112.5	112.5	-
UI-FCJ225/3	225	50	3	75	75	75
UI-FCJ300/3	300	50	3	100	100	100

Vertical Access Box



Model	Size (mm)		Compartments	Compartments Size		
	W	H		1st mm	2nd mm	3rd mm
UI-FVT150/1	150	50	1	150	-	-
UI-FVT150/2	150	50	2	75	75	-
UI-FVT150/3	150	50	3	50	50	50
UI-FVT225/2	225	50	2	112.5	112.5	-
UI-FVT225/3	225	50	3	75	75	75
UI-FVT300/3	300	50	3	100	100	100

Reducer



Model	Description
UI-FRE 300-225	Reducer 300 mm to 225 mm
UI-FRE 300-150	Reducer 300 mm to 150 mm
UI-FRE 225-150	Reducer 225 mm to 150 mm

End Cap



Model	Description
UI-FEC 150	End Cap For 150 x 50 mm
UI-FEC 225	End Cap For 225 x 50 mm
UI-FEC 300	End Cap For 300 x 50 mm

Trunking Support Bracket (Adjustable Type)



Model	Description
UI-FSP 200	For FT 150 Trunking
UI-FSP 275	For FT 225 Trunking
UI-FSP 350	For FT 300 Trunking

Coupling



Trunking Fixing Bracket

