

รางเดินสายไฟ

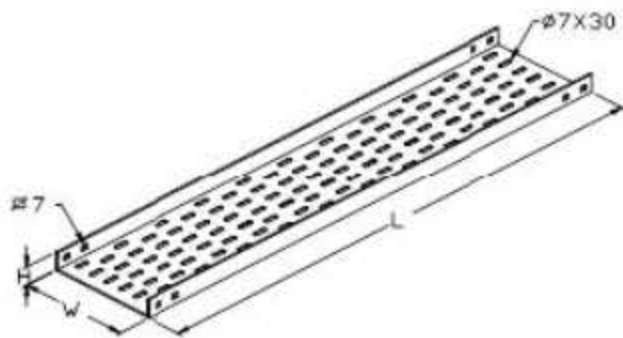
CABLE TRAY : CHANNEL PERFORATE TYPE

SCI **Channel Perforated Tray** is designed as an economical branch cable tray available in Zinc Sheet, Stainless Steel and Hot Roll Mild Steel furnish with hot dip galvanized. The straight are ventilated with cross-alternated punching oval-holes in each row to ease for cable tie. Fitting sections as horizontal bend, vertical bend can also be available.

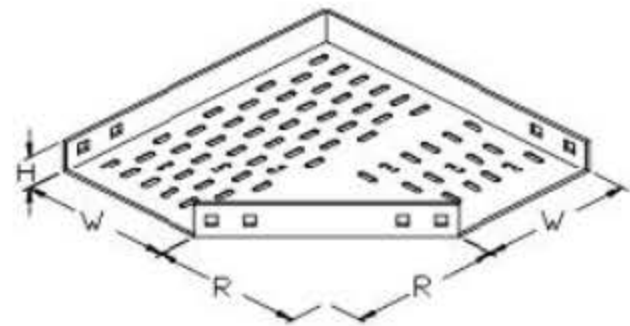
SCI STANDARD : CTC TYPE

(MADE TO ORDER AS CLIENT'S REQUIRMENT ARE AVAILABLE)

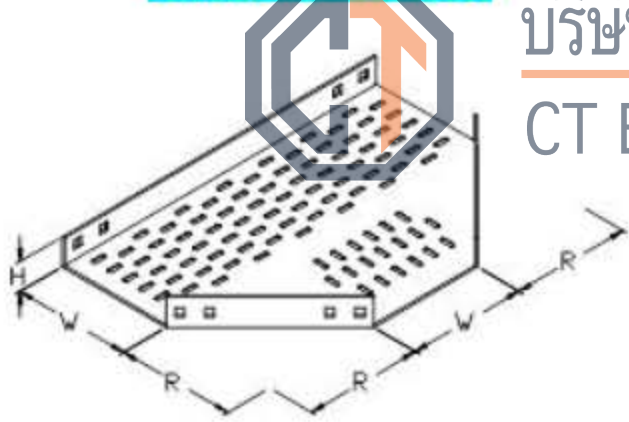
Height	: 20mm
Width	: 50, 75, 100, 125, 150mm
Length	: 2400 / 3000mmL
Available in	: Hot Dip Galvanized after Fabrication Painting RAL 7032 Stainless Steel 304 or 316 Galvanized Steel Sheet Aluminium Alloy A1100



STRAIGHT SECTION



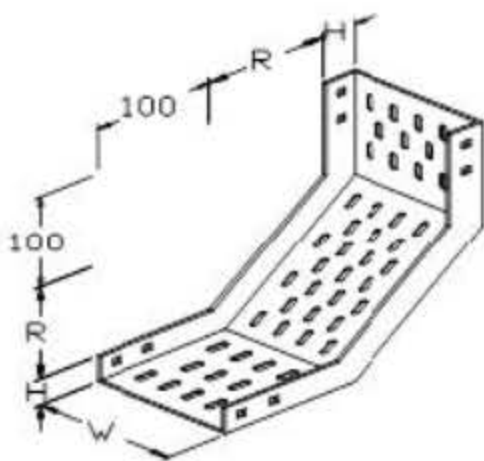
HORIZONTAL ELBOW 90DEG



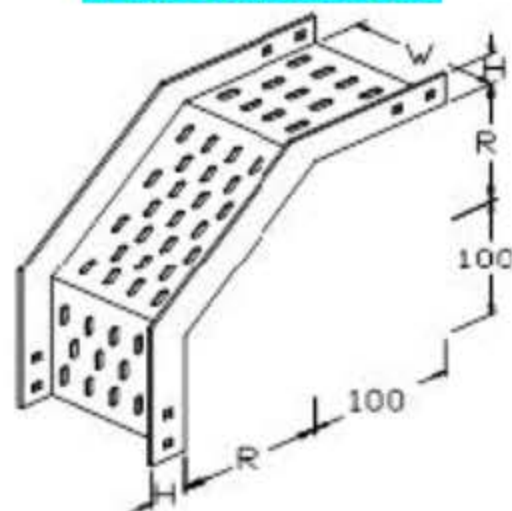
HORIZONTAL TEE



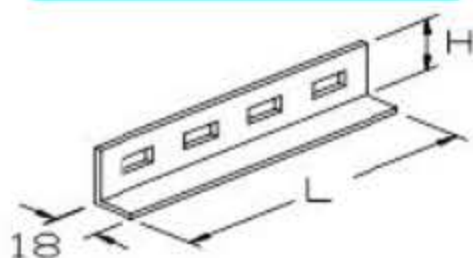
HORIZONTAL CROSS



INSIDE VERTICAL 90DEG



OUTSIDE VERTICAL 90DEG



SPLICE PLATE



BOLT & NUT FOR JOINT PLATE

บริษัท ซีที อิเล็กทริก ซัพพลาย จำกัด
CT ELECTRIC SUPPLY CO., LTD.
โทร : 02 550 9555

รางเดินสายไฟ

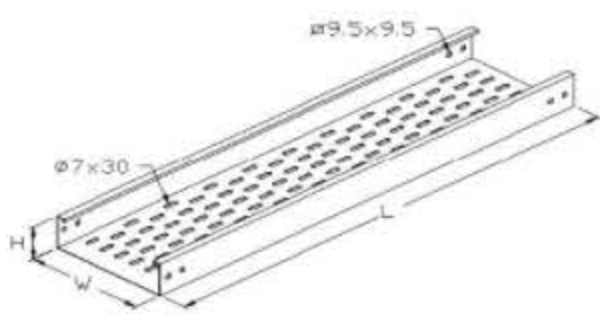
CABLE TRAY : PERFORATE TYPE

SCI **Perforate Tray** , Stress sheet is fabricated and punching by CNC machine. The perforation will help air ventilation to reduce heat and control temperature. The perforate type is recommended for instrument cable installation. They have a various type such as **CTC Type**, **CTU Type** and **CTJ Type**. The selection will be according to material & specification usage.

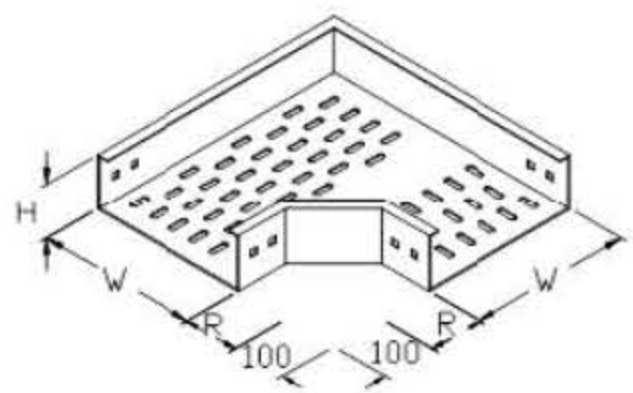
SCI STANDARD : CTC TYPE

(MADE TO ORDER AS CLIENT'S REQUIRMENT ARE AVAILABLE)

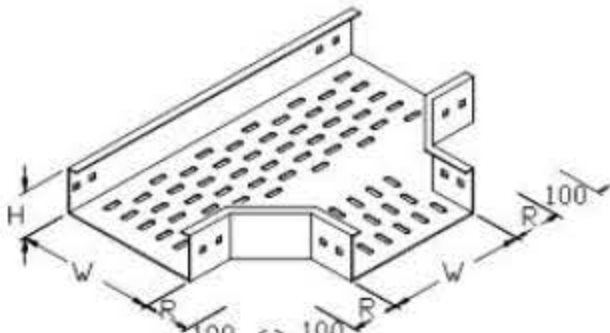
- Height : 50, 70 and 100mm
- Width : 75, 100, 150, 225, 300, 450 and 600mm
- Length : 2400 / 3000mmL
- Available in : Hot Dip Galvanized after Fabrication
Painting RAL 7032
Stainless Steel 304 or 316
Galvanized Steel Sheet
Aluminium Steel Sheet 1100



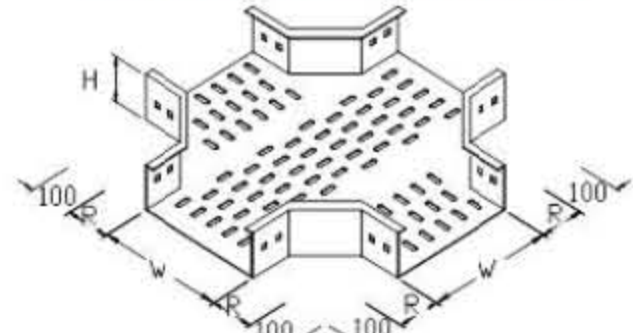
STRAIGHT SECTION



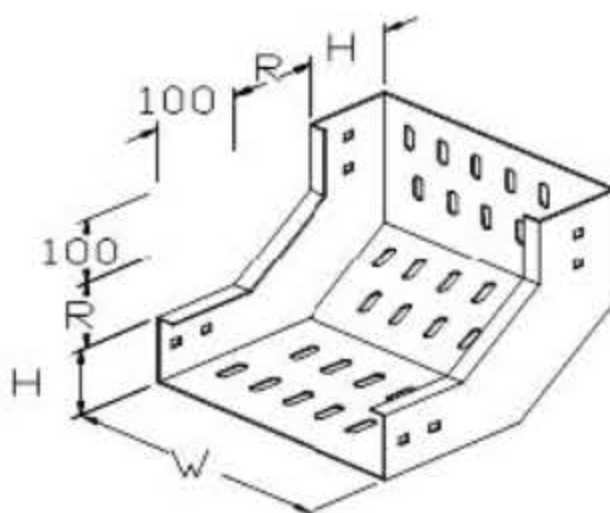
HORIZONTAL ELBOW 90DEG



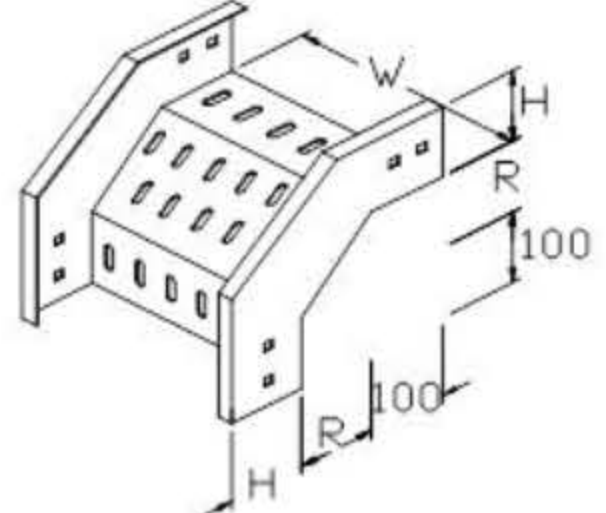
HORIZONTAL TEE



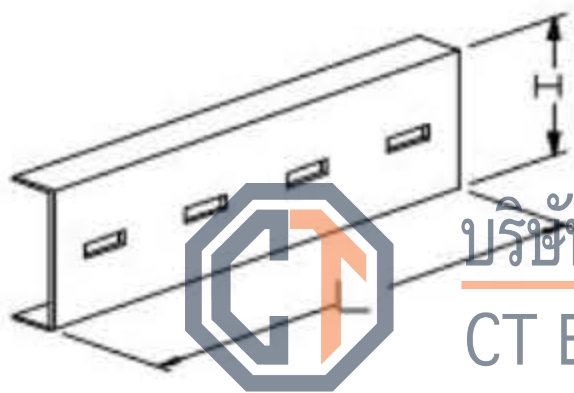
HORIZONTAL CROSS



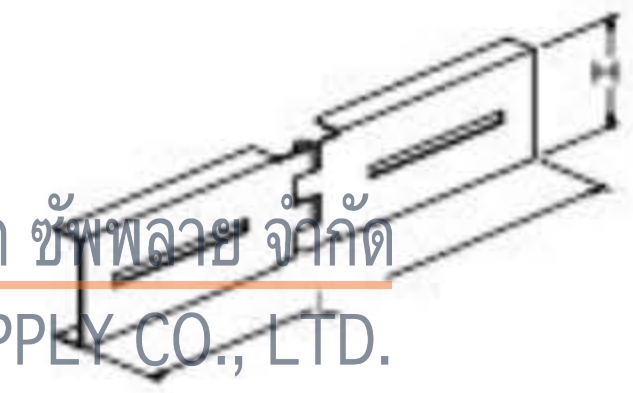
INSIDE VERTICAL 90DEG



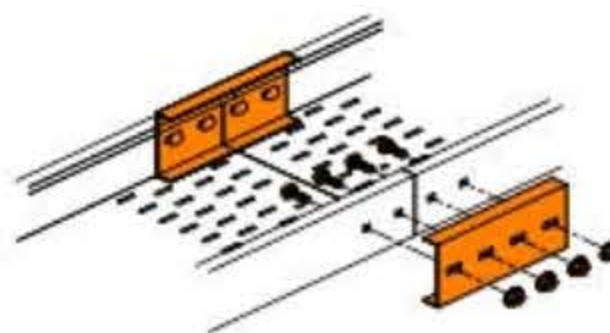
OUTSIDE VERTICAL 90DEG



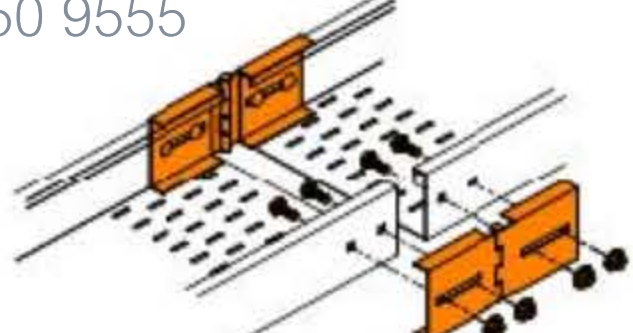
SPLICE PLATE



HORIZONTAL ADJUST PLATE



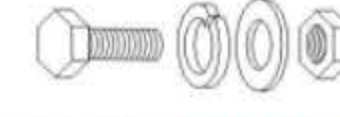
VERTICAL ADJUST PLATE



HOLD DOWN CLAMP

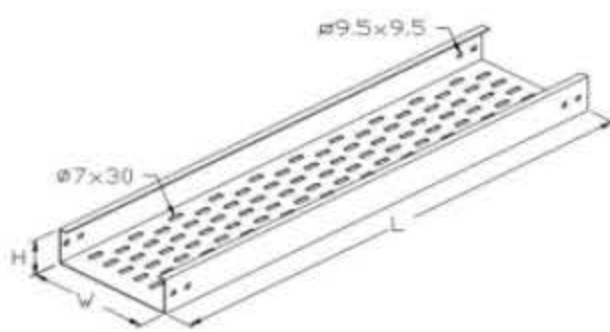


BOLT & NUT FOR ACCESSORIES



BOLT & NUT FOR HOLD DOWN CLAMP

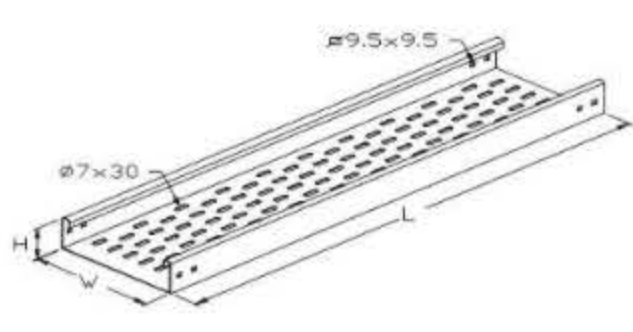
OTHER TYPES OF PERFORATE TRAY



PERFORATE TRAY : CTU TYPE

HEIGHT : 50mm

AVAILABLE IN : Hot Dip Galvanized after Fabrication
Painting RAL 7032
Stainless Steel 304 or 316
Galvanized Steel Sheet
Aluminium Alloy A1100



PERFORATE TRAY : CTJ TYPE

HEIGHT : 50, 70, 100mm

AVAILABLE IN : Painting RAL 7032
Stainless Steel 304 or 316
Galvanized Steel Sheet
Aluminium Alloy A1100

รางเดินสายไฟ

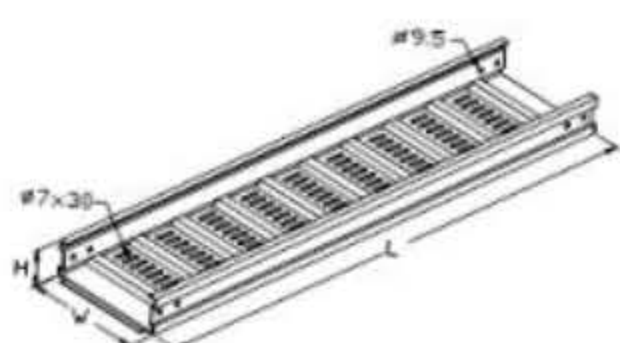
CABLE TRAY : CORRUGATE TYPE

SCI **Corrugate Tray** is available in Ventilate and/or Solid Bottom, the continuous corrugated with both ventilate or solid bottom is a heavy duty to carry more loading and to help circulation. The E-shape side rail welds together with corrugated bottom will secure more strength.

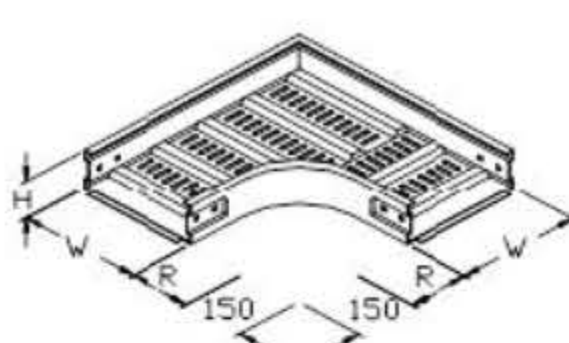
SCI STANDARD : CTW TYPE

(MADE TO ORDER AS CLIENT'S REQUIREMENT ARE AVAILABLE)

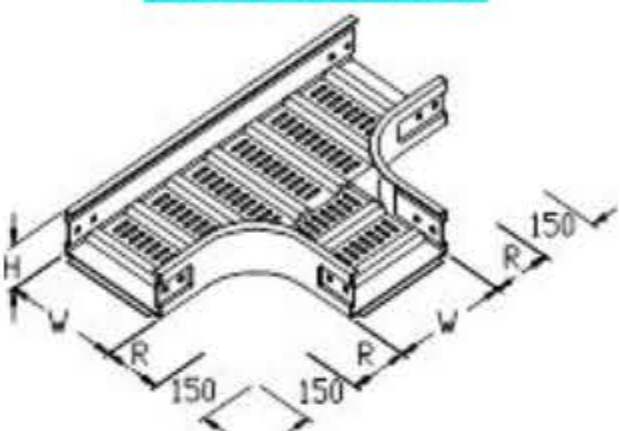
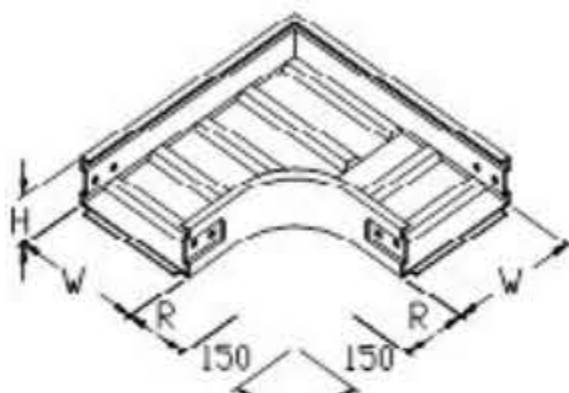
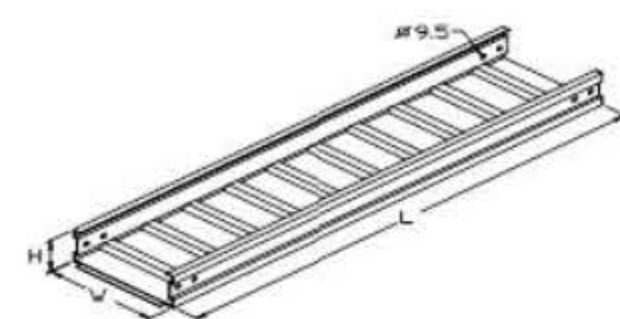
Height	: 100, 120 and 150mm
Width	: 150, 225, 300, 450, 600, 750 and 900 mm
Length	: 3000 / 6000mmL
Available in	: Hot Dip Galvanized after Fabrication Painting RAL 7032



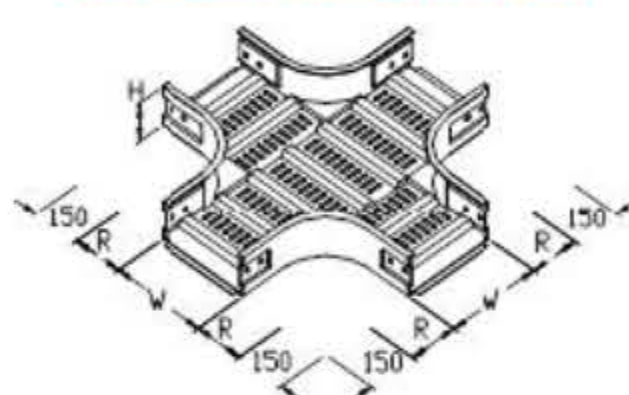
STRAIGHT SECTION



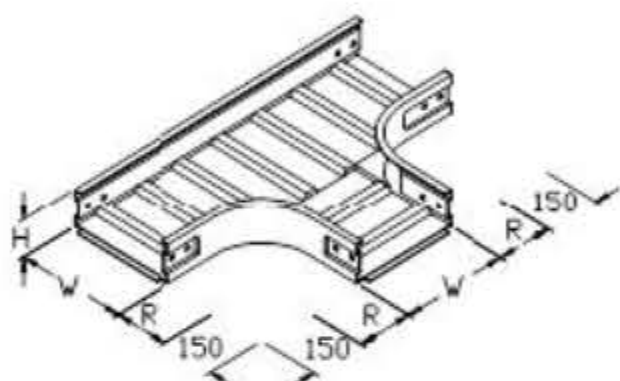
HORIZONTAL ELBOW 90DEG



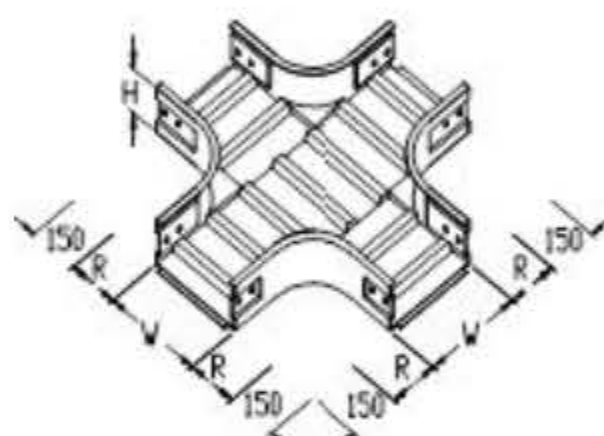
HORIZONTAL TEE



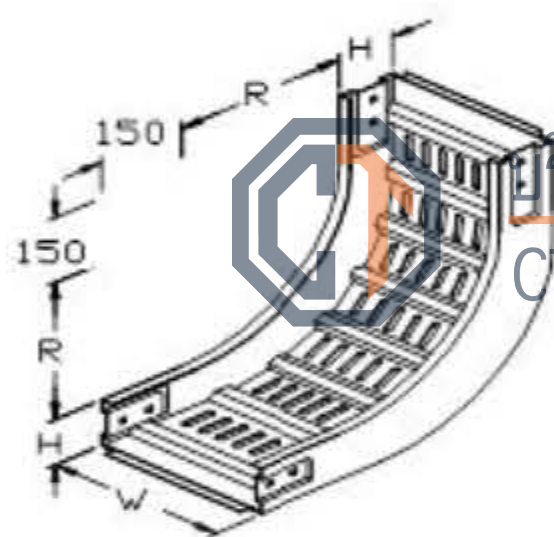
HORIZONTAL CROSS



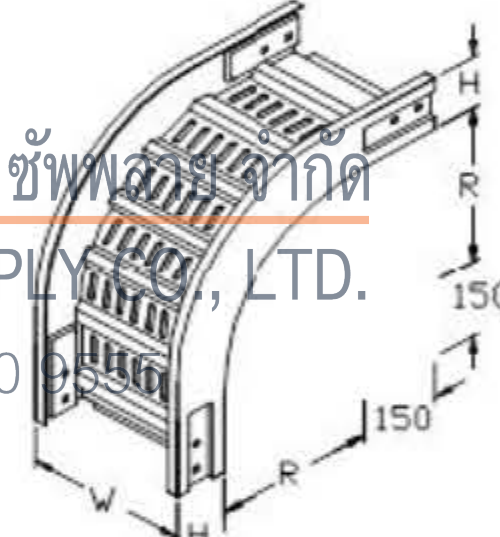
INSIDE VERTICAL 90DEG



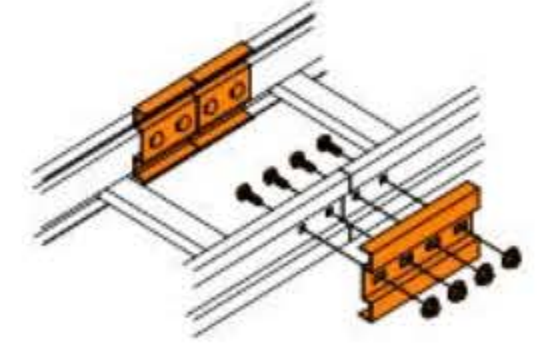
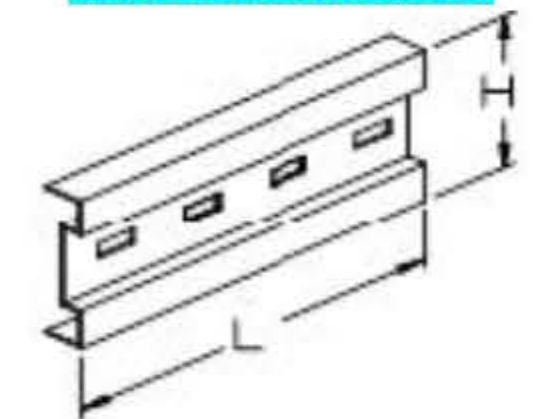
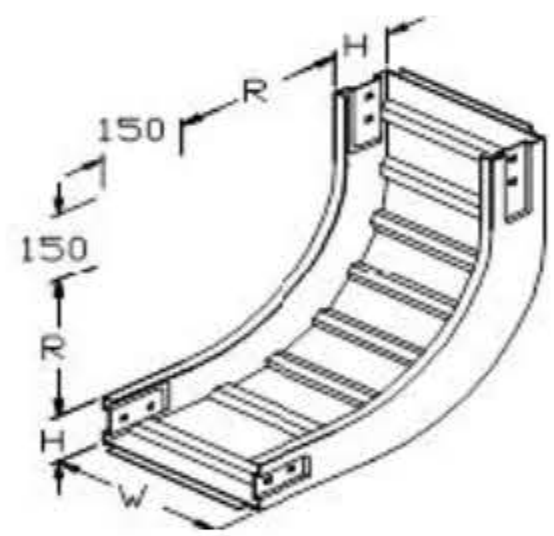
OUTSIDE VERTICAL 90DEG



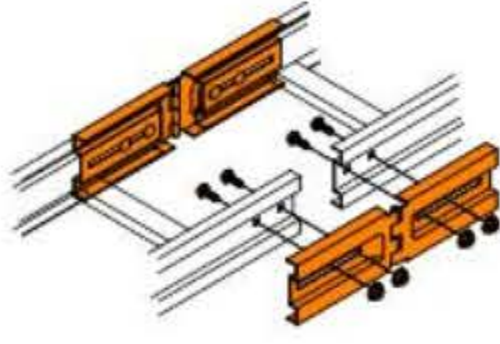
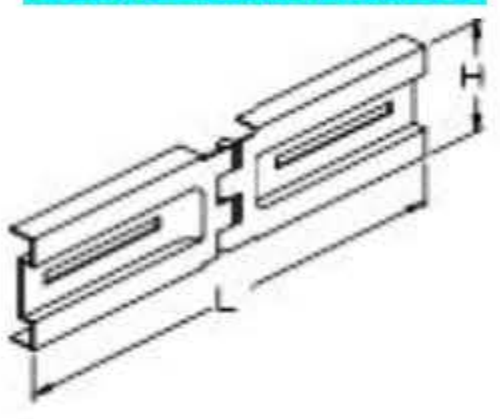
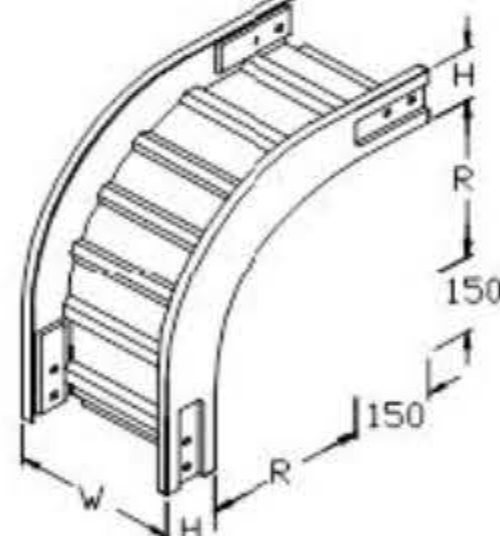
SPLICE PLATE



HORIZONTAL ADJUST PLATE



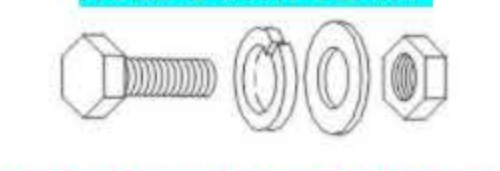
VERTICAL ADJUST PLATE



HOLD DOWN CLAMP



BOLT & NUT FOR ACCESSORIES



BOLT & NUT FOR HOLD DOWN CLAMP

บริษัท ซีที อิเล็กทริก ซัพพลาย จำกัด
 CT ELECTRIC SUPPLY CO., LTD.
 โทร : 02 550 9555

รางเดินสายไฟ

CABLE TRAY : LADDER TYPE

SCI **Ladder Type**, the E-shape side rail and structural rungs are MIG weld to increase strength and withstand abuse. All edges are finishing to smooth the surface to prevent insulation damage. The various type such as **CLC Type**, **CLU Type**, **CLF Type**. Extra Heavy Duty Type is **CLJ Type** which is carried load & deflection more than usual standard. An Export general use **CLZ Type**.

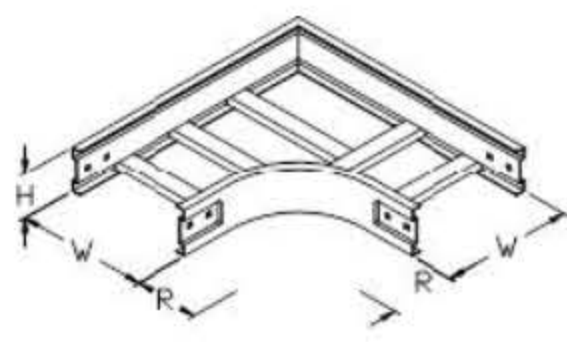
SCI STANDARD : CLE TYPE

(MADE TO ORDER AS CLIENT'S REQUIRMENT ARE AVAILABLE)

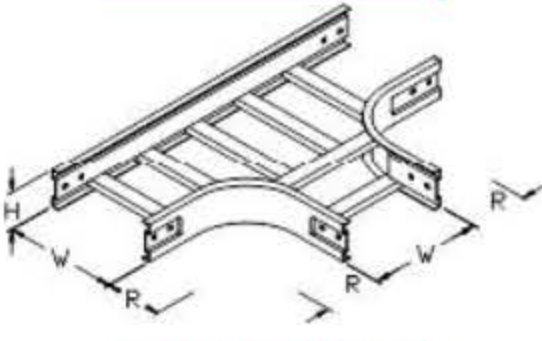
Height : 100, 120 and 150mm
Width : 150, 225, 300, 450, 600, 750 and 900 mm
Length : 3000 / 6000mmL
Available in : Hot Dip Galvanized after Fabrication
Painting RAL 7032



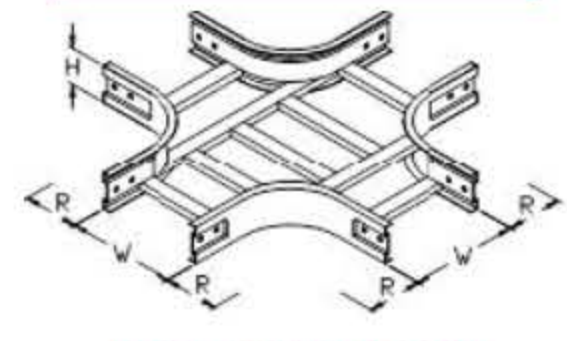
STRAIGHT SECTION



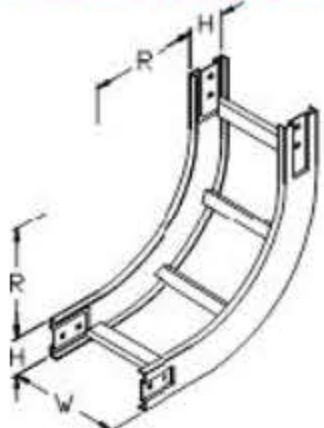
HORIZONTAL ELBOW 90DEG



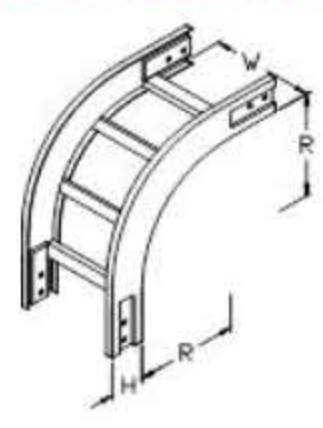
HORIZONTAL TEE



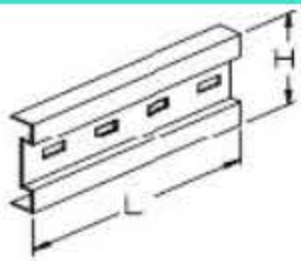
HORIZONTAL CROSS



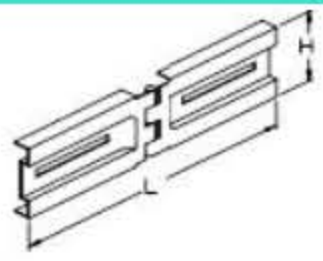
INSIDE VERTICAL 90DEG



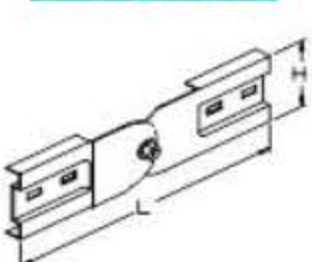
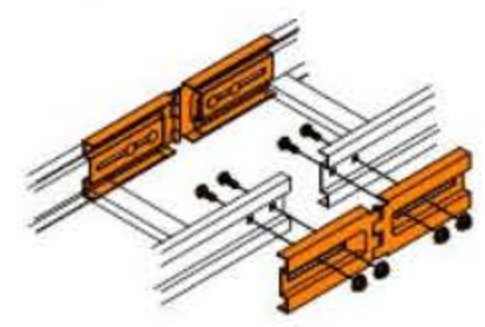
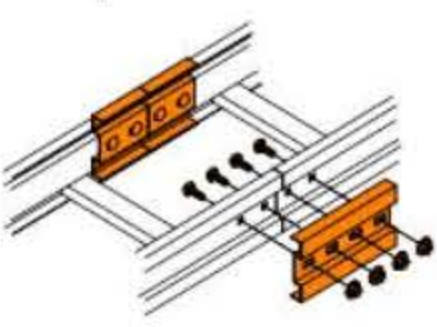
OUTSIDE VERTICAL 90DEG



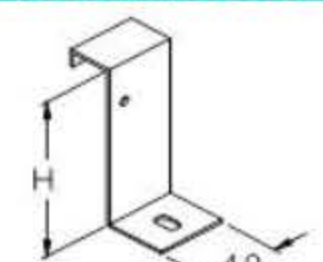
SPLICE PLATE



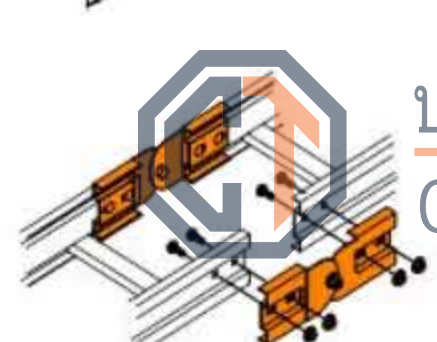
HORIZONTAL ADJUST PLATE



VERTICAL ADJUST PLATE



HOLD DOWN CLAMP



BOLT & NUT FOR ACCESSORIES

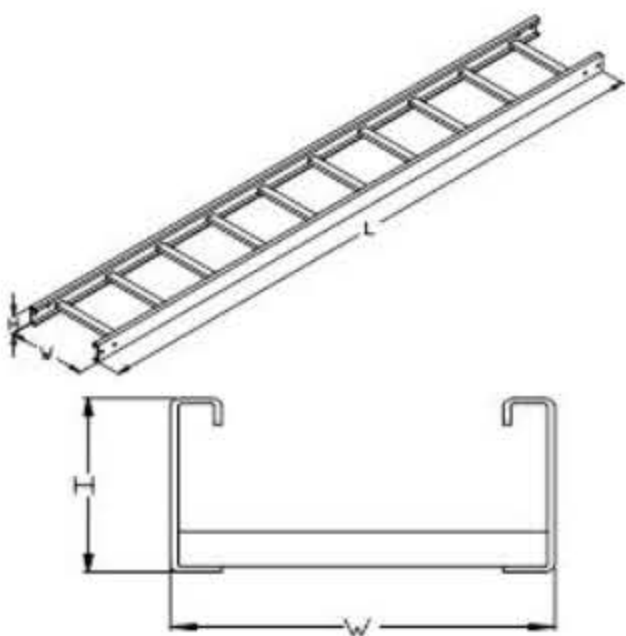


BOLT & NUT FOR HOLD DOWN CLAMP

บริษัท ซีที อีเลคทริก ซัพพลาย จำกัด
CT ELECTRIC SUPPLY CO., LTD.

โทร : 02 550 9555

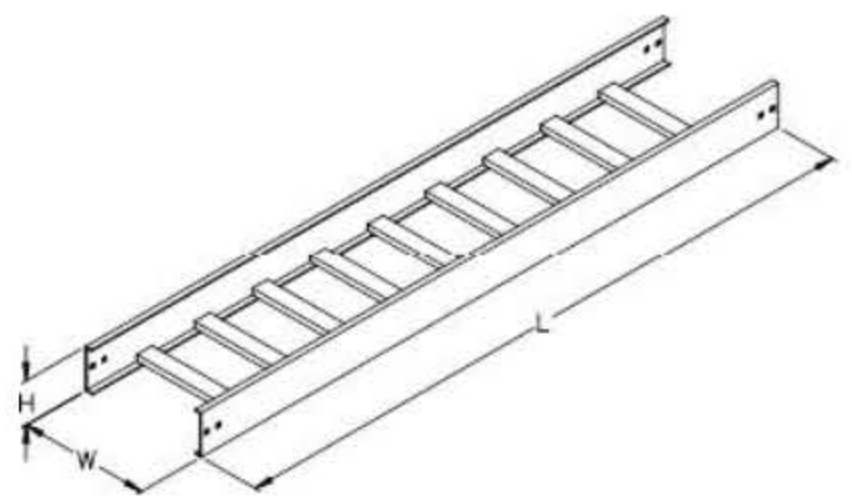
OTHER TYPES OF CABLE LADDER



LADDER TRAY : CLC TYPE

HEIGHT : 100, 150mm

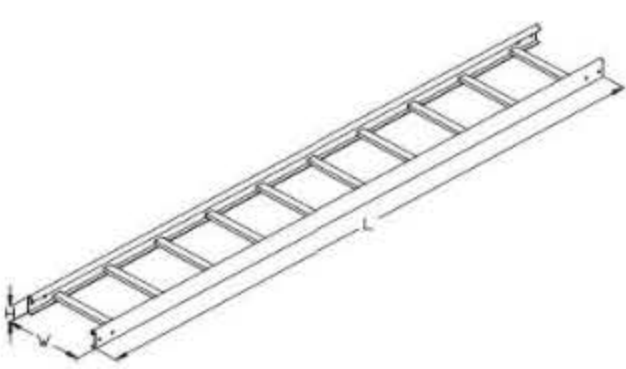
AVAILABLE IN : Hot Dip Galvanized after Fabrication
Painting RAL 7032



LADDER TRAY : CLU TYPE

HEIGHT : 100, 120, 150mm

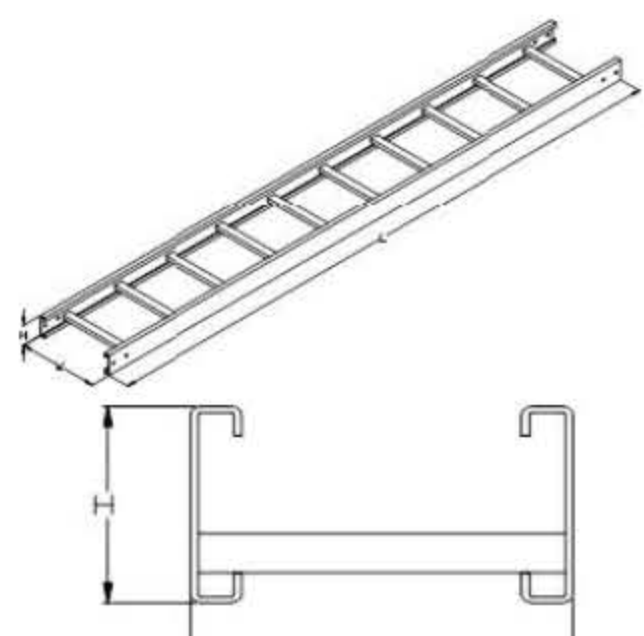
AVAILABLE IN : Hot Dip Galvanized after Fabrication
Painting RAL 7032



LADDER TRAY : CLJ TYPE

HEIGHT : 100, 120, 170mm

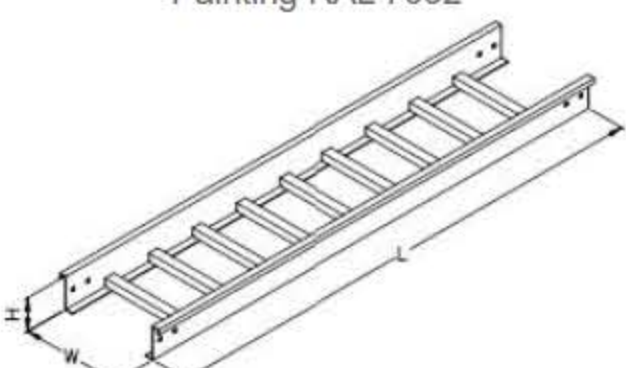
AVAILABLE IN : Hot Dip Galvanized after Fabrication
Painting RAL 7032



LADDER TRAY : CLH TYPE

HEIGHT : 100, 170, 200mm

AVAILABLE IN : Hot Dip Galvanized after Fabrication
Painting RAL 7032



LADDER TRAY : CLZ TYPE

HEIGHT : 100, 150, 200mm

AVAILABLE IN : Hot Dip Galvanized after Fabrication
Painting RAL 7032