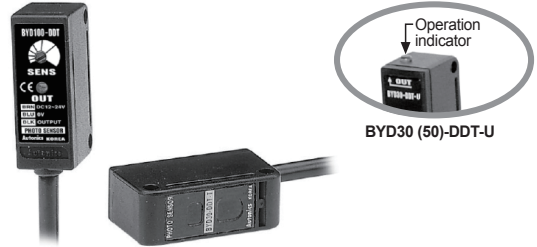


# BYD Series

## Small Diffuse Reflective and Convergent Reflective Type

### ■ Features

- Easy installation by compact size
- Superior detection not affected by color of target (convergent reflective type)
- Operation indicator is located on the top (BYD30-DDT-U, BYD50-DDT-U)
- Easy to adjust the response time via Timer function (off delay time: 0.1 to 2 sec variable)
- Built-in reverse polarity protection circuit and output overcurrent (short-circuit) protection circuit



**⚠ Please read "Safety Considerations" in instruction manual before using.**



### ■ Specifications

Model	BYD30-DDT BYD30-DDT-U*1 BYD30-DDT-T*2	BYD50-DDT BYD50-DDT-U*1 BYD50-DDT-T*2	BYD100-DDT	BYD3M-TDT	BYD3M-TDT-P
Sensing type	Convergent reflective		Diffuse reflective	Through-beam	
Sensing distance	10 to 30mm*3	10 to 50mm*3	100mm*3	3m	
Sensing target	Translucent, opaque materials			Opaque materials of Min. Ø6mm	
Hysteresis	Max. 10% at sensing distance		Max. 25% at sensing distance	—	
Response time	Operation: max. 3ms, return: max. 100ms (when the timer adjuster is minimum)		Operation: max. 3ms Return: max. 100ms	Max. 1ms	
Power supply	12-24VDC±10% (ripple P-P: max. 10%)				
Current consumption	Max. 35mA			Max. 30mA	
Light source	Infrared LED				
Sensitivity adjustment	Fixed		Sensitivity adjuster	Fixed	
Operation mode	Light ON fixed			Dark ON (Light ON: option)	
Control output	NPN open collector output ●Load voltage: Max. 30VDC ●Load current: Max. 50mA ●Residual voltage: Max. 1V		NPN or PNP open collector output ●Load voltage: max. 30VDC ●Load current: max. 100mA ●Residual voltage - NPN: Max. 1VDC, PNP: Max. 2.5VDC		
Protection circuit	Reverse polarity protection circuit, output overcurrent (short-circuit) protection circuit				
Timer function	Built-in timer (off delay) Delay Time: max. 0.1 to 2 sec (timer adjuster)		—		
Indication	Operation indicator: red LED				
Insulation resistance	Over 20MΩ (at 500VDC megger)				
Noise immunity	±240V the square wave noise (pulse width: 1μs) by the noise simulator				
Dielectric strength	1,000VAC 50/60Hz for 1minute				
Vibration	1.5mm amplitude at frequency of 10 to 55Hz (for 1 min) in each X, Y, Z direction for 2 hours				
Shock	500m/s <sup>2</sup> (approx. 50G) in each X, Y, Z direction for 3 times				
Environment	Ambient illumination	Sunlight: max. 11,000lx, incandescent lamp: max. 3,000lx (receiver illumination)			
	Ambient temperature	-20 to 65°C, storage: -25 to 70°C			
	Ambient humidity	35 to 85%RH, storage: 35 to 85%RH			
Protection structure	Standard type: IP64 (IEC standards)/ ※1, ※2: IP50 (IEC standards)		IP50 (IEC standard)	IP64 (IEC standard)	
Material	Case: acrylonitrile butadiene styrene, sensing part: acrylic, bracket: steel plate cold commercial, bolt: steel chromium molybdenum, nut: steel chromium molybdenum, sleeve: brass, Ni-plate				
Cable	Ø3.5mm, 3-wire, 2m (emitter of through-beam type: Ø3.5mm, 2-wire, 2m) (AWG24, core diameter: 0.08mm, number of cores: 40, insulator out diameter: Ø1mm)				
Accessory	Adjustment screwdriver, fixing bracket A, M3 bolt: 2, M3 nut: 2			Fixing bracket A, M3 bolt: 2, M3 nut: 2	
Approval	<b>CE</b>				
Weight*4	Approx. 75g (approx. 38g)			Approx. 105g (approx. 80g)	

※1: Operation indicator is on the top.

※2: OFF delay timer is built-in. (delay time: max. 0.1 to 2sec)

※3: Non-glossy white paper 50×50mm.

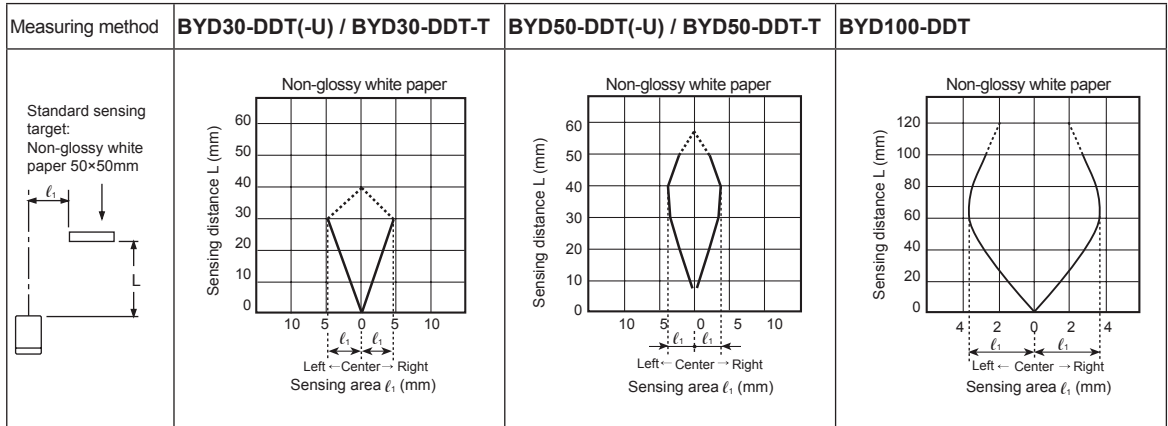
※4: The weight includes packaging. The weight in parenthesis is for unit only.

※The temperature or humidity mentioned in Environment indicates a non freezing or condensation environment.

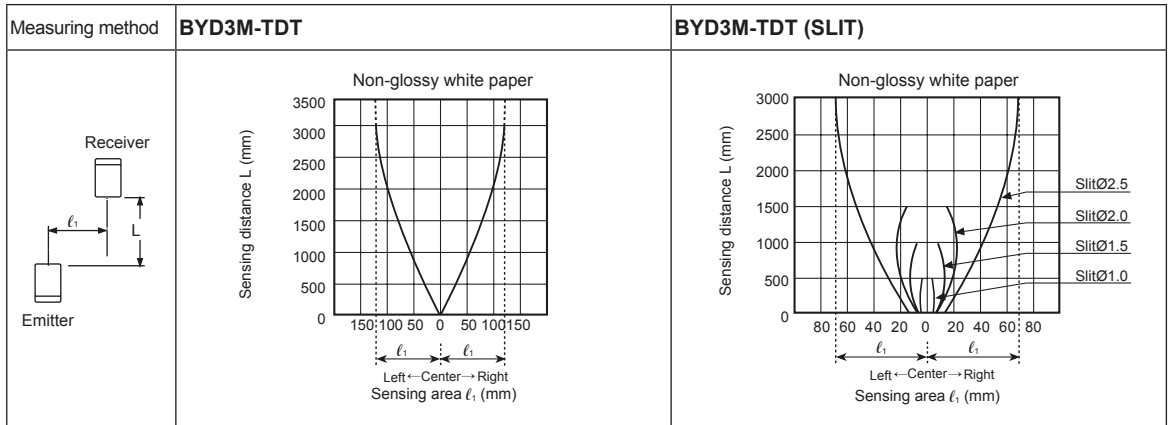
# Small and Amplifier Built-in Type

## ■ Feature Data

### ◎ Sensing distance (convergent/diffuse reflective type)

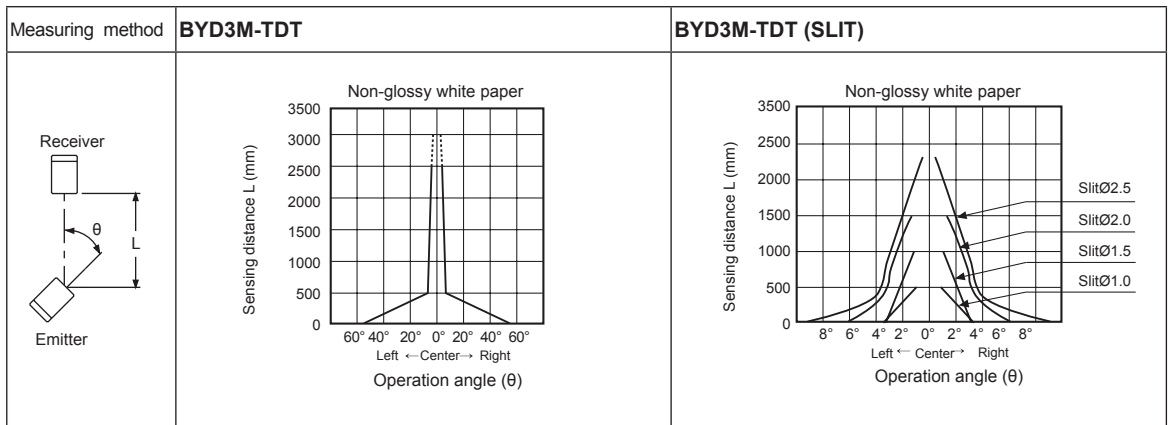


### ◎ Parallel shifting (through-beam type)



※Above characteristic is from 400mm sensing distance to install transmitted beam type slit (Ø1, Ø1.5, Ø2, Ø2.5).

### ◎ Sensor angle (through-beam type)



※Above characteristic is from 400mm sensing distance to install transmitted beam type slit (Ø1, Ø1.5, Ø2, Ø2.5).

(A) Photoelectric Sensors

(B) Fiber Optic Sensors

(C) Door/Area Sensors

(D) Proximity Sensors

(E) Pressure Sensors

(F) Rotary Encoders

(G) Connectors/ Connector Cables/ Sensor Distribution Boxes/ Sockets

(H) Temperature Controllers

(I) SSRs / Power Controllers

(J) Counters

(K) Timers

(L) Panel Meters

(M) Tacho / Speed / Pulse Meters

(N) Display Units

(O) Sensor Controllers

(P) Switching Mode Power Supplies

(Q) Stepper Motors & Drivers & Controllers

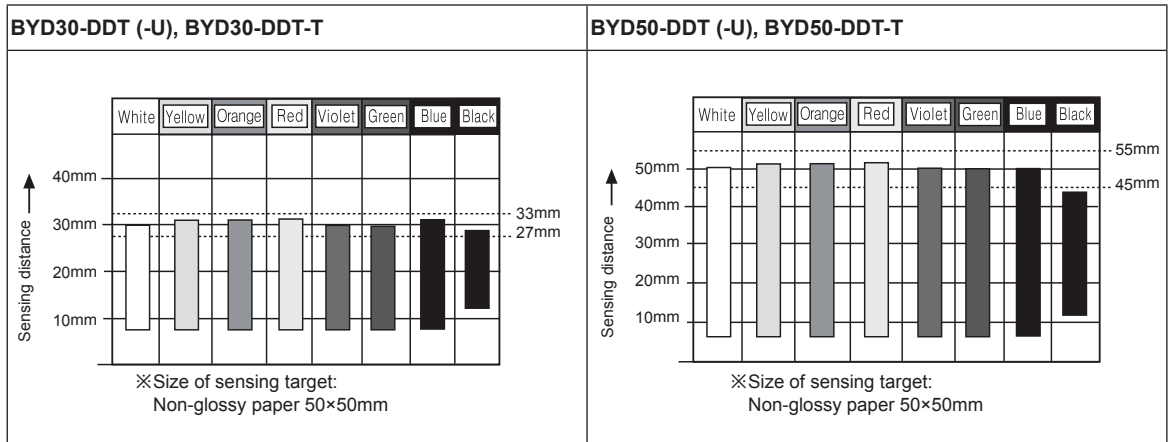
(R) Graphic/ Logic Panels

(S) Field Network Devices

(T) Software

# BYD Series

## ■ Sensing Distance by Color (Convergent Reflective Type)



- 1) This model is photoelectric sensor with stable convergent detection type, therefore it is not affected by color or material within the range of sensing distance as specified in chart.
- 2) It is able to detect target stably because of small effect from background.

## ■ Operation Mode

### ● BYD30-DDT (-U), BYD50-DDT (-U), BYD100-DDT

### ● BYD30-DDT-T, BYD50-DDT-T

Operation mode	Light ON	Light ON
Receiver operation	Received light Interrupted light	Received light Interrupted light
Operation indicator (red LED)	ON OFF	ON OFF
Transistor output	ON OFF	ON OFF

- ※T: Setting time by the timer adjuster (0.1 to 2 sec)
- ※t: Max. 3ms (When the timer adjuster is minimum)
- ※If  $T_a$  is shorter than T, transistor output will be ON.

### ● BYD3M-TDT, BYD3M-TDT-P

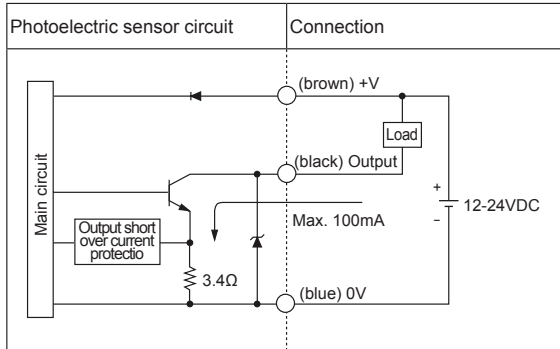
Operation mode	Light ON	Dark ON
Receiver operation	Received light Interrupted light	Received light Interrupted light
Operation indicator (red LED)	ON OFF	ON OFF
Transistor output	ON OFF	ON OFF

- ※To prevent malfunction, output of units keeps the state of OFF for 0.5sec after power ON.
- ※Light ON mode is customizable.

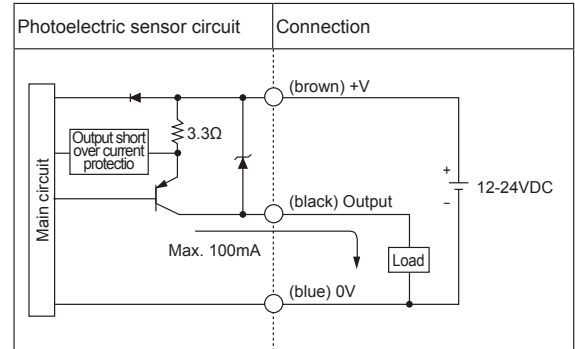
# Small and Amplifier Built-in Type

## Control Output Diagram

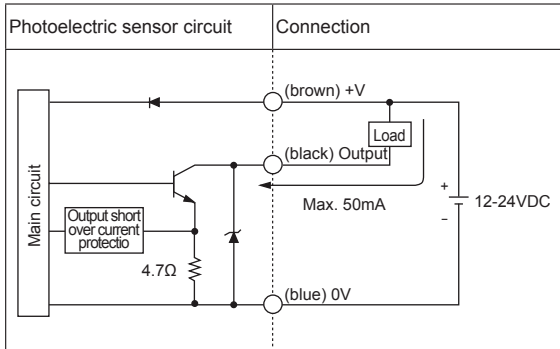
### • BYD3M-TDT2



### • BYD3M-TDT2-P

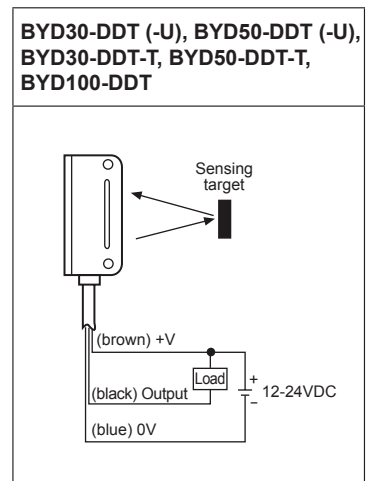
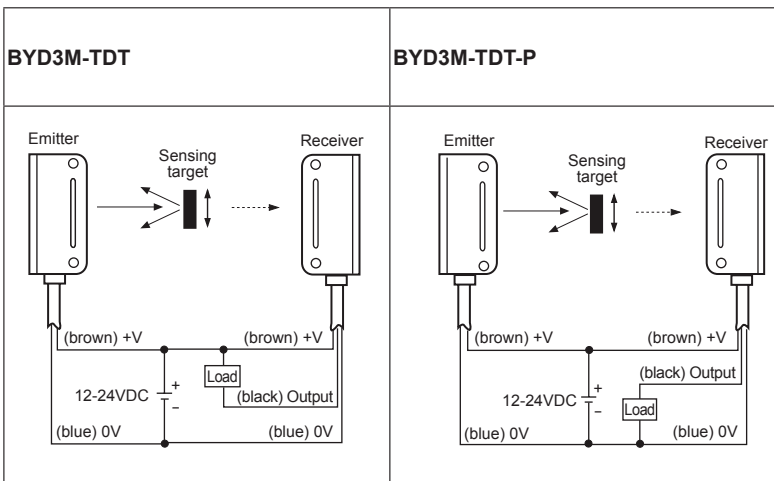


- BYD30-DDT (-U), BYD50-DDT (-U)
- BYD30-DDT-T, BYD50-DDT-Tb
- BYD100-DDT



※If short-circuit the control output terminal or supply current over the rated specification, normal control signal is not output due to the output short over current protection circuit.

## Connections

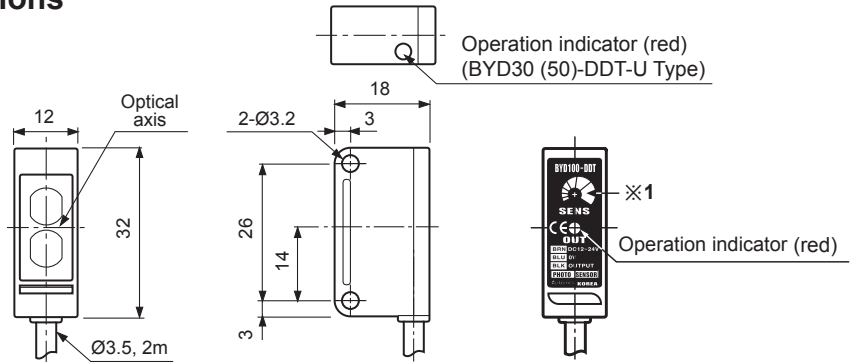


- (A) Photoelectric Sensors
- (B) Fiber Optic Sensors
- (C) Door/Area Sensors
- (D) Proximity Sensors
- (E) Pressure Sensors
- (F) Rotary Encoders
- (G) Connectors/ Connector Cables/ Sensor Distribution Boxes/ Sockets
- (H) Temperature Controllers
- (I) SSRs / Power Controllers
- (J) Counters
- (K) Timers
- (L) Panel Meters
- (M) Tacho / Speed / Pulse Meters
- (N) Display Units
- (O) Sensor Controllers
- (P) Switching Mode Power Supplies
- (Q) Stepper Motors & Drivers & Controllers
- (R) Graphic/ Logic Panels
- (S) Field Network Devices
- (T) Software

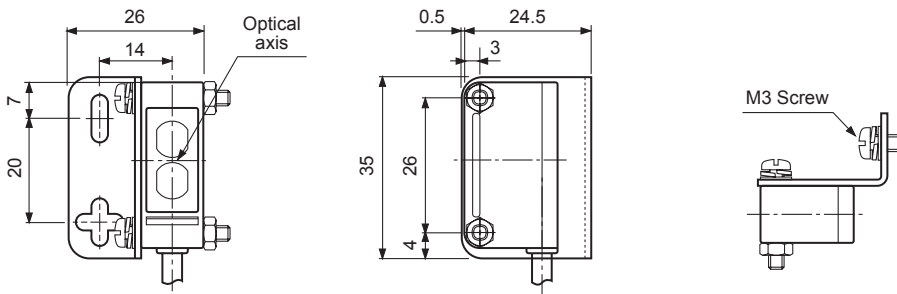
# BYD Series

## ■ Dimensions

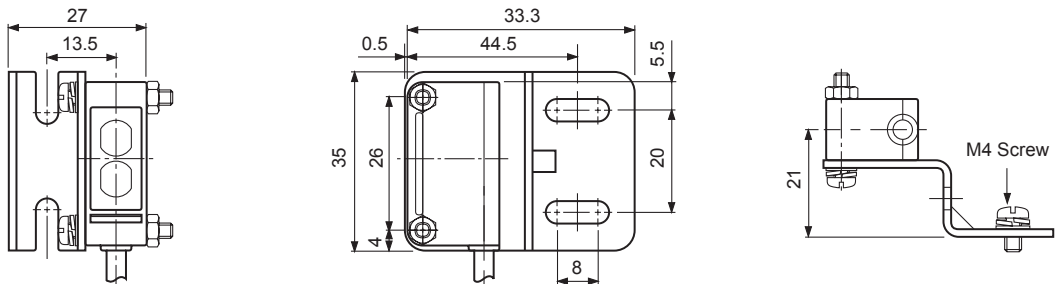
(unit: mm)



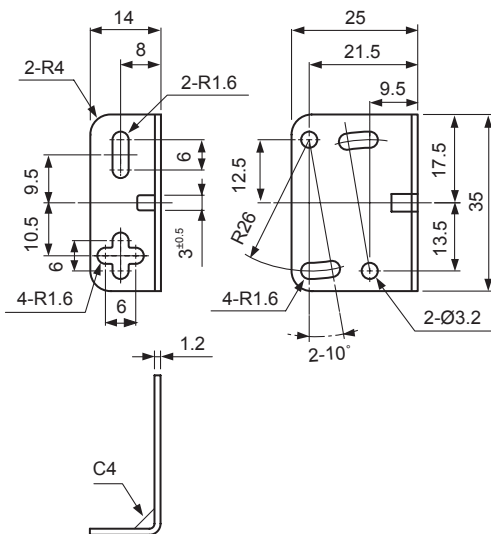
### ● Bracket A dimension when mounting



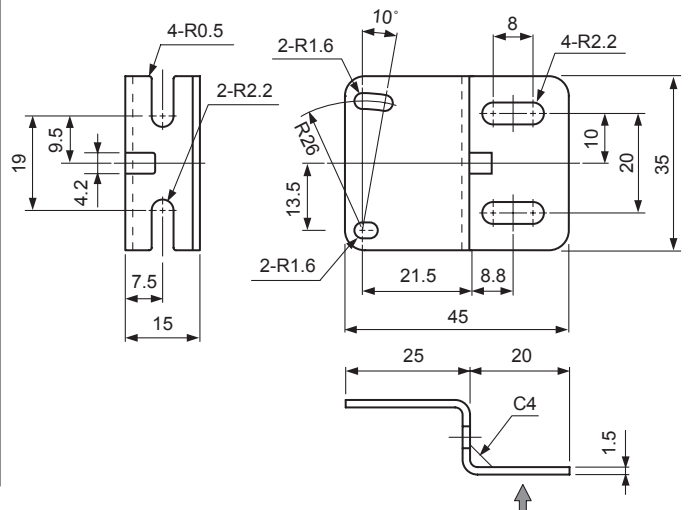
### ● Bracket B dimension when mounting



### ● Bracket A



### ● Bracket B (sold separately)



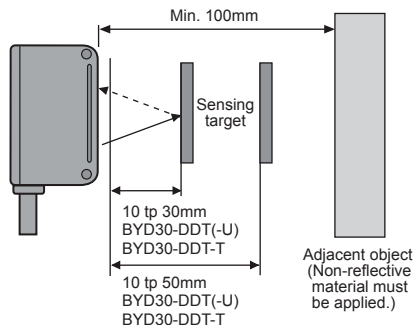
# Small and Amplifier Built-in Type

## ■ Mounting and Sensitivity Adjustment

- ※When using photoelectric sensors closely over two units, it may result in malfunction due to mutual interference.
- ※When installing the product, tighten the screw with a tightening torque of 0.5N·m.

### ◎ Convergent reflective type

1. Supply the power to the sensor after installing the sensor.

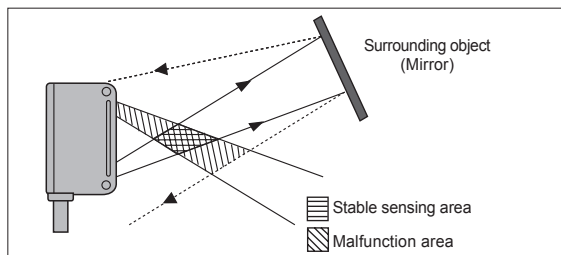


2. Install a target at sensing position and adjust the sensor to right and left or up and down to be at the right angle against the optical axis and fix it at stable operating position.

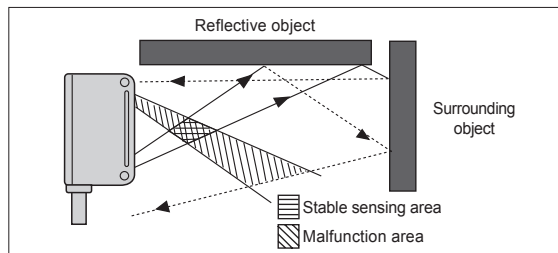
Keep the distance BYD30-DDT, (-T), (-U): 10 to 30mm  
BYD50-DDT, (-T), (-U): 10 to 50mm between the photo-electric sensor and the target.

3. Adjust the response time up to the optimum status in case of timer built-in type. Keep the distance min. 100mm between the photoelectric sensor and the background of the target. It may cause malfunction by reflection light of the background.

※The sensing distance indicated in the specification chart is that of non-glossy white paper in the target size 50×50mm. The sensing distance may be changed by the size of the target, reflectance of the target.



※It may cause malfunction, when surrounding object is mirror and emitter axis and mirror surface meet at right angles.

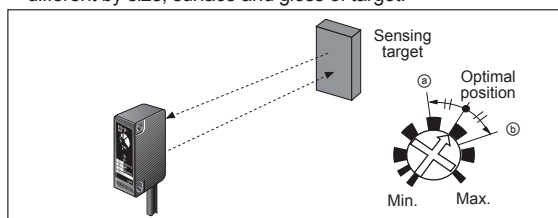


※It may cause malfunction due to reflected light when reflective material is placed near the optical axis.

### ◎ Diffuse reflective type

1. The sensitivity should be adjusted depending on a sensing target or mounting place.
2. Set the target at a position to be detected by the beam, then turn the sensitivity adjuster until position ㊸ where the operation indicator turns ON from min. position of the sensitivity adjuster.
3. Take the target out of the sensing area, then turn the sensitivity adjuster until position ㊹ where the operation indicator turns ON. If the indicator dose not turn ON, max. position is ㊺.
4. Set the sensitivity adjuster at the center of two switching position ㊸, ㊹.

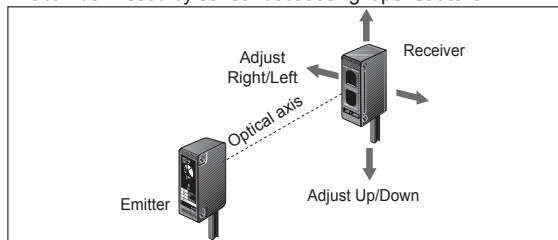
※The sensing distance indicated on specification chart is for 50×50mm of non-glossy white paper. Be sure that it can be different by size, surface and gloss of target.



### ◎ Through-beam type

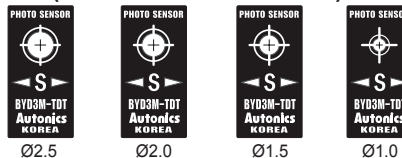
1. Supply the power to the photoelectric sensor, after setting the emitter and the receiver facing each other.
2. Set the receiver in the middle of the operation range of the operation indicator by adjusting the receiver and the emitter right and left, up and down.
3. After the adjustment, check the stability of operation by putting the object at the optical axis.

※If the sensing target is translucent body or smaller than  $\varnothing 6\text{mm}$ , it can be missed by sensor because light penetrate it.



## ■ Accessory (sold separately)

### ● Slit (Model name: BYD3M-ST)



### ● Min. sensing target and Max. sensing distance by slit $\varnothing$

- Attach the slit on receiver and emitter together.

SLIT $\varnothing$	Min. sensing target	Min. sensing distance
$\varnothing 1.0$	Opaque materials of Min. $\varnothing 0.8$	500mm
$\varnothing 1.5$	Opaque materials of Min. $\varnothing 1.5$	700mm
$\varnothing 2.0$	Opaque materials of Min. $\varnothing 2.0$	1200mm
$\varnothing 2.5$	Opaque materials of Min. $\varnothing 2.5$	2300mm

※This slit is for BYD3M-TDT (-P) only.

※Total 8 pieces, 2 pieces of each  $\varnothing$ , are packed.

※This slit is sticker for attachment, please remove the dirt on lens of the photoelectric sensor before using it.

(A) Photoelectric Sensors

(B) Fiber Optic Sensors

(C) Door/Area Sensors

(D) Proximity Sensors

(E) Pressure Sensors

(F) Rotary Encoders

(G) Connectors/ Connector Cables/ Sensor Distribution Boxes/ Sockets

(H) Temperature Controllers

(I) SSRs / Power Controllers

(J) Counters

(K) Timers

(L) Panel Meters

(M) Tacho / Speed / Pulse Meters

(N) Display Units

(O) Sensor Controllers

(P) Switching Mode Power Supplies

(Q) Stepper Motors & Drivers & Controllers

(R) Graphic/ Logic Panels

(S) Field Network Devices

(T) Software