

อุปกรณ์ตรวจจับแก๊ส รุ่น YA-CG916 ยี่ห้อ CEMEN (อุปกรณ์ได้รับมาตรฐาน CE)
"CEMEN" YA-CG916 GAS DETECTOR

Gas Detector YA-CG916

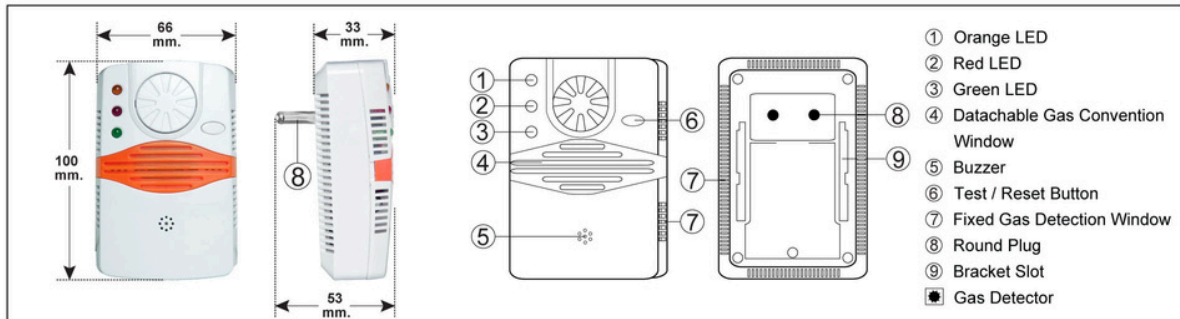
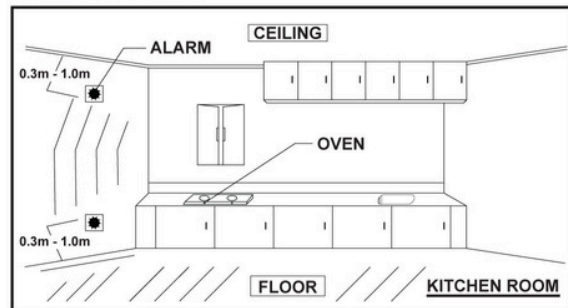
**Gas Detector For Natural / LPG
With Round Plug 220VAC**



Characteristics

- High Stability Sensor with Planar Technique, Low Power Consumption
- Unique Design, Wall Mounted
- AC 220V, Inner Switching Power Supply
- MCU Processing, Intelligent Analyzing
- Automatic Fault Detection, Early Warning
- Detachable gas convection window, easy to clean the cover and change the sensor
- Independent / Network
- Adopted SMT, High EMI / RFI Immunity

Installation



Specification

Model / Product	YA-CG916 / Gas Detector
Induced Gas	Natural Gas / LPG
Working Voltage	AC 220V 50 Hz
Static Current / Alarm Current	≤ 100 mA / ≤ 130 mA
Power Consumption	< 3W
Alarm Sound Level	≥ 80 dB / m
Alarm Density	10% LEL (0.5%) (5000PPM) with CH ₄
Operating Temperature	-10°C to + 55°C
Operating Humidity	≤ 95% RH
Alarm Density Error	≤ ±3% LEL
Alarm Mode	Sound & Flash / Network Alarm Signal
Material / Color	ABS Plastic / White and Orange Color
Dimension	100 x 66 x 33 mm.