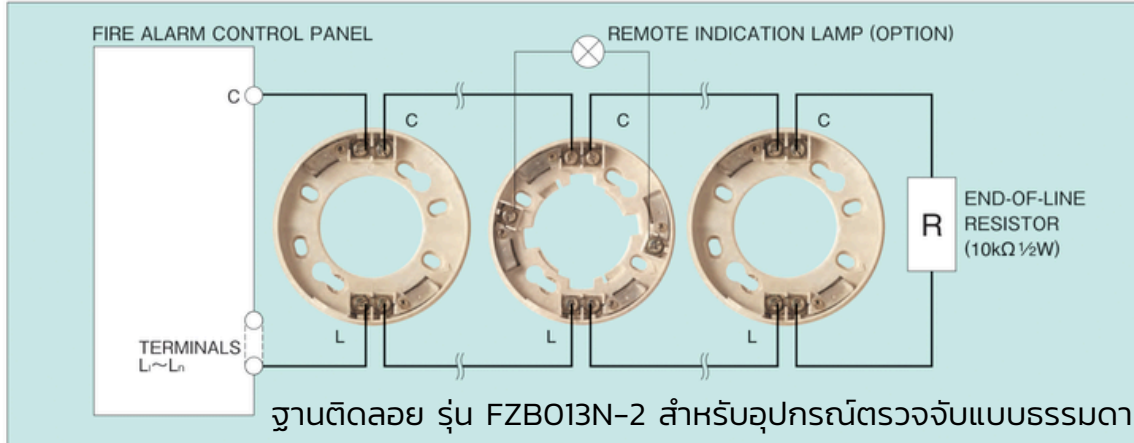


อุปกรณ์ฐานติดตั้ง รุ่น FZB013N-2 ยี่ห้อ NOHMI
"NOHMI" DETECTOR BASE MODEL FZB013N-2

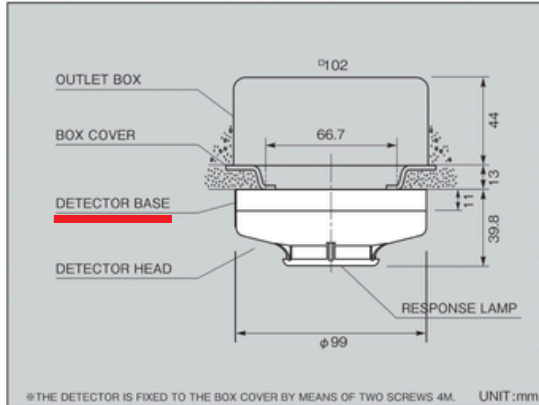
PHOTOELECTRIC SMOKE DETECTOR FDK SERIES CAT. NO. D-F-2718

TYPICAL WIRING DIAGRAM



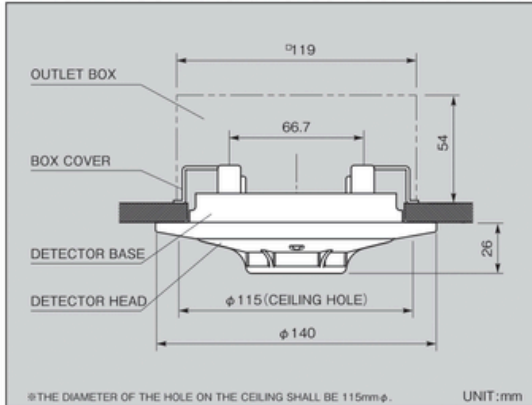
- Max, permissible number of detectors to be connected : 30 smoke detectors per line
- Wire connection : Remove the insulation of the wire (φ0.5~2.0mm) by 10mm from its end, insert the bare wire into the terminal (for bases FZB060-2 and FZB060-4) and tighten the screw (for bases FZB013-2/FZB013N-2 and FZB013-4).

TYPICAL MOUNTING (SURFACE MOUNTING TYPE)



※NOTE : Cleaning of the detector head can be easily done after removing the labyrinth cover.

TYPICAL MOUNTING (RECESS MOUNTING TYPE)



COVERAGE AREA BY PHOTOELECTRIC SMOKE DETECTOR	
Height between floor and mounting surface	Area
Less than 4m	150m ²
4m~15m	75m ²

ORDERING INFORMATION

Model no.	DESCRIPTION	Model no.	DESCRIPTION
FDK246/FDK246N	Detector head: Ordinary type	FZB013-2/FZB013N-2	Detector base: Surface mounting type (Screw type terminal)
		FZB060-2	Detector base: Recess mounting type (Insertion type terminal)
FDK246-X	Detector head: Ordinary type with remote indication circuit	FZB013-4	Detector base: Surface mounting type (Screw type terminal)
		FZB060-4	Detector base: Recess mounting type (Insertion type terminal)

- These instructions do not purport to cover all the details or variations in the equipment described, nor provide for every possible contingency to be met in connection with installation, operation and maintenance.
- Specifications are subject to change without notice. Contact Nohmi before relying on above specifications.
- Actual performance is based on proper application of the product by a qualified professional.
- Should further information be desired or should particular problems arise, which are not covered sufficiently for the purchaser's purposes, the matter should be referred to Nohmi or a distributor in your region.

NOHMI
NOHMI BOSAI LTD.

- HEAD OFFICE : 7-3, Kudan Minami 4-chome, Chiyoda-ku, Tokyo 102-8277, Japan
- PHONE : (81) 3-3265-0231
- F A X : (81) 3-3265-5348
- U R L : <http://www.nohmi.co.jp/english/>

131031D-F-2718Y02