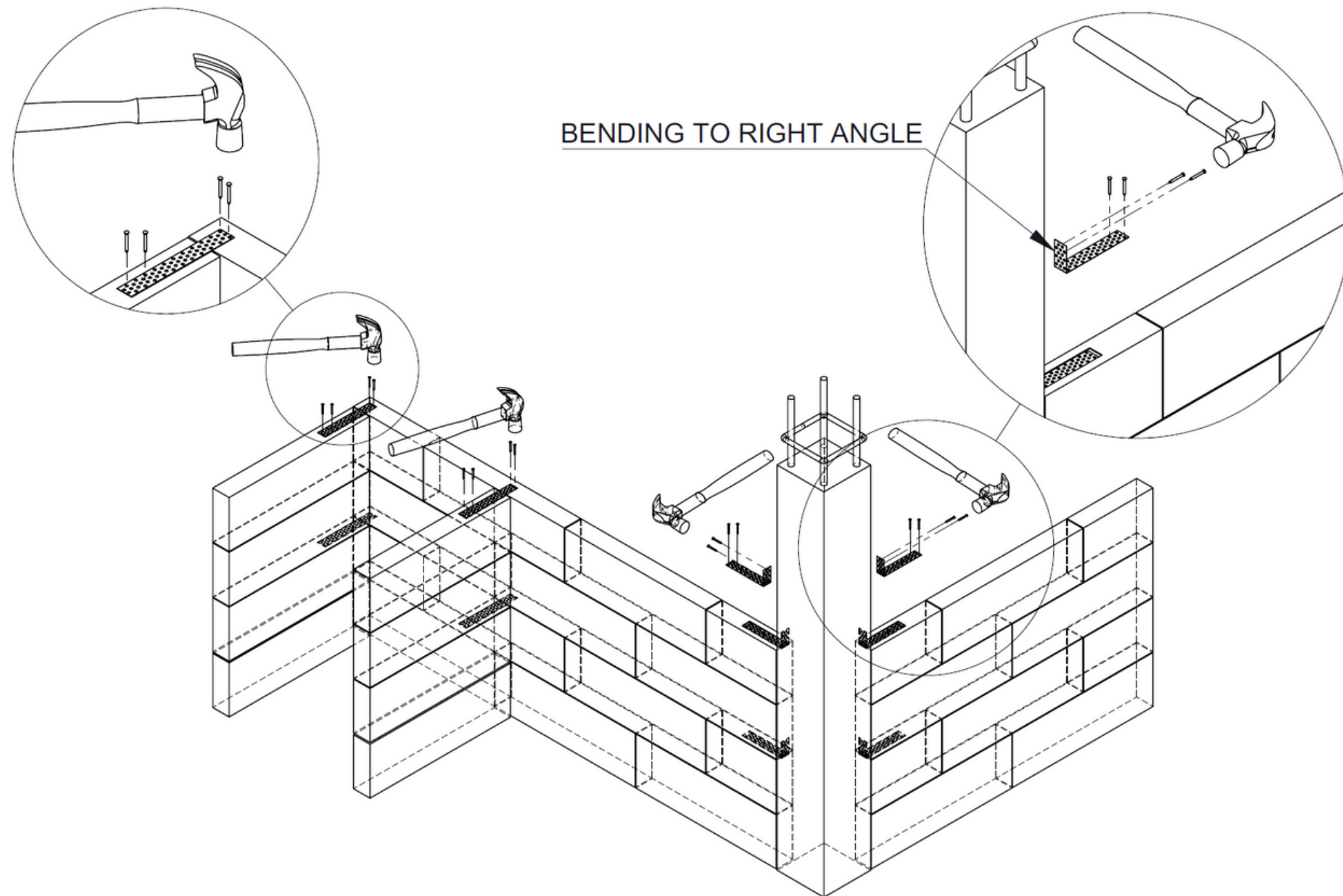
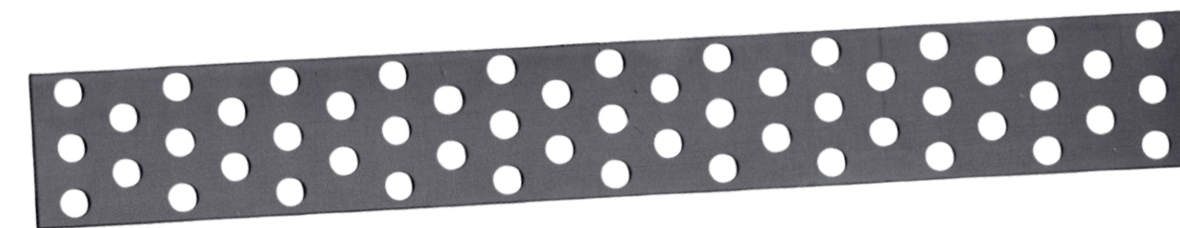


Materials for Construction Business

METAL STRAPS FOR AUTOCLAVED AERATED CONCRETE (AAC)



Product



Application

