

# Centrifuge Tubes Products

Centrifuge Tubes Products series, includes centrifuge tubes and micro centrifuge tubes. Special selected highclarity polypropylene assures the good transparency, chemical resistibility and obdurability. And the dual quality security system of ISO9001:2008, ISO13485 quality management and 100,000 grade clean-room, control system insure the good quality. Futhermore, the universal design makes the tubes suitable for most brands of centrifuge. Additionally, either gamma irradiation sterilized or non-sterilized products are available in order to satisfy the different research requirements and enhance the practicability. All the features allow them to be widely used in chemical and life science research.



## Centrifuge Tubes

Centrifuge tubes are popular in samples centrifuging or storage in many research areas.

- \* Centrifuge tubes are popular in samples centrifuging or storage in many research areas
- \* Available with 2 volumes of 15 and 50ml
- \* 2 different cap styles: flat cap and plug seal cap
- \* Conical bottom, self-standing bottom and u bottom
- \* Longer length screw caps with sealing ring prevent any leakage
- \* Easy to read black graduations are accurate to  $\pm 2\%$ , 1ml increments (15ml) or 2.5ml increments (50ml)
- \* With a large unerasable frosting white printed writing area
- \* Both the graduations and writing areas are chloroform-resistant
- \* Engraved graduation at the conical bottom of each tube
- \* Max rotate speed up to 12,000xg for conical bottom tubes and u bottom tubes, while 6,000xg for self-standing tubes
- \* Autoclavable at 121°C and freezable to -80°C

## Ordering Information

- \* Racked tubes are packaged in environmentally responsible (fully recyclable) chipboard racks
- \* Bagged tubes are packaged in durable and re-sealed (zip closure) bags
- \* Inner packaging is individually labelled for lot-to-lot traceability
- \* All tubes are packaged with caps attached and are available in sterilized with gamma irradiation, RNase-free, DNase-free and Non-pyrogenic

## High RCF Speciality Max Rotate Speed(xg)21,000

Cat.No.	Capacity(ml)	Bottom	Max Rotate Speed(xg)	Sterile	Package	Qty. per bag/case
CFT312150	15	conical	21,000	Y	Re-sealable bag	25/500
CFT322150	15	conical	21,000	Y	Paper rack	25/500
CFT312500	50	conical	21,000	Y	Re-sealable bag	25/500
CFT322500	50	conical	21,000	Y	Paper rack	25/500

Cat.No.	Capacity(ml)	Bottom	Speciality	Sterile	Max. Rotate Speed(xg)	Package	Qty. per bag/case
CFT810150	15	U	—	N	12000	Re-sealable bag	50/500
CFT812150	15	U	DNase/RNase-free	Y	12000	Re-sealable bag	25/500
CFT821150	15	U	DNase/RNase-free	Y	12000	Paper rack	25/500

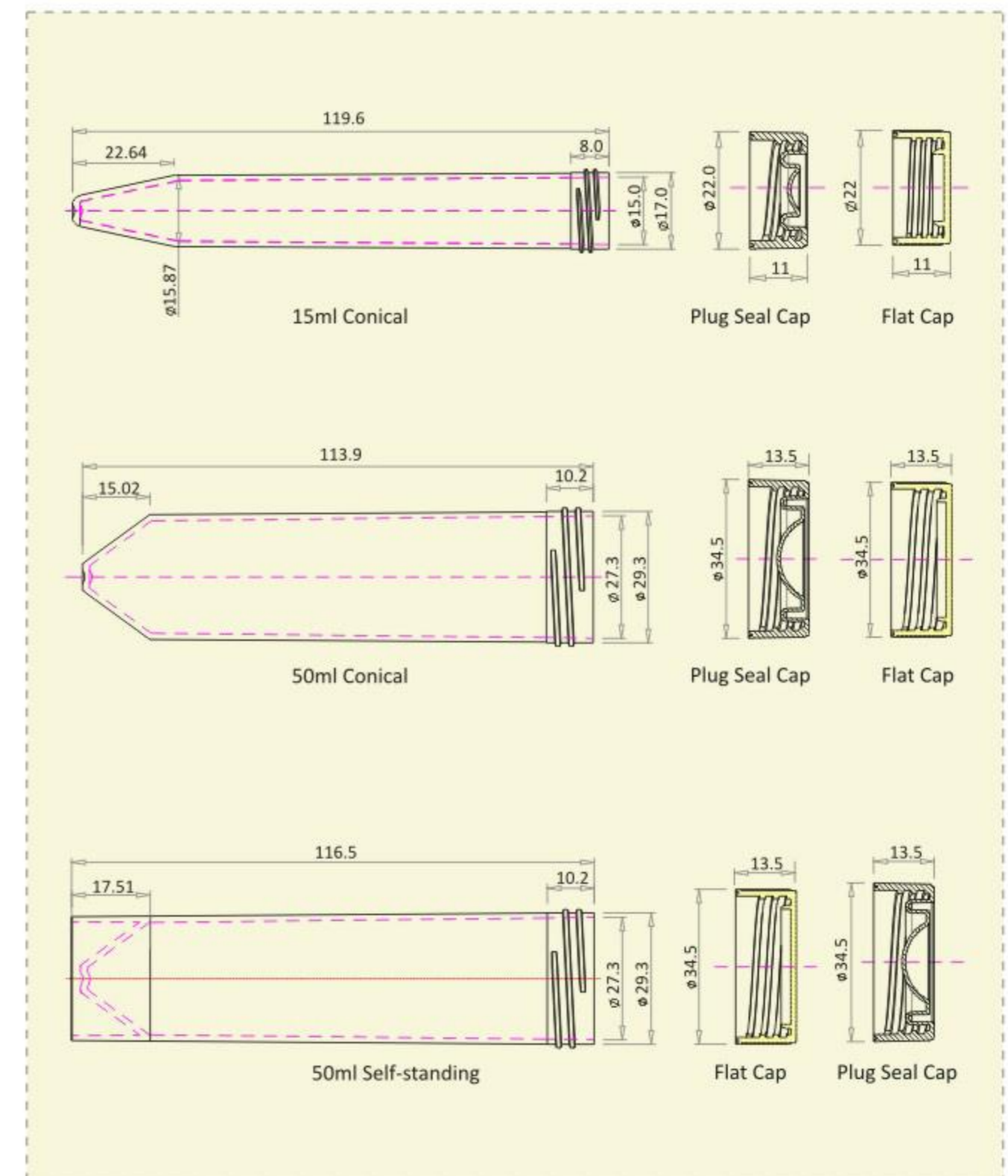
### Centrifuge Tubes with Flat Cap

Cat.No.	Capacity(ml)	Bottom	Sterile	DNase/RNase	Max Rotate Speed(xg)	Package	Qty. per bag/case
CFT000150	15	Conical	N	—	12,000	Bulk	500
CFT010150	15	Conical	N	—	12,000	Re-sealable bag	50/500
CFT011150	15	Conical	Y	DNase-/RNase-free	12,000	Re-sealable bag	25/500
CFT021150	15	Conical	Y	DNase-/RNase-free	12,000	Paper rack	25/500
CFT031150	15	Conical	Y	DNase-/RNase-free	12,000	Paper rack	25/300
CFT000500	50	Conical	N	—	12,000	Bulk	500
CFT010500	50	Conical	N	—	12,000	Re-sealable bag	50/500
CFT011500	50	Conical	Y	DNase-/RNase-free	12,000	Re-sealable bag	25/500
CFT021500	50	Conical	Y	DNase-/RNase-free	12,000	Paper rack	25/500
CFT100500	50	Self-standing	N	—	6,000	Bulk	500
CFT111500	50	Self-standing	Y	DNase-/RNase-free	6,000	Re-sealable bag	25/500
CFT110500	50	Self-standing	N	—	6,000	Re-sealable bag	25/500
CFT031500	50	Conical	Y	DNase-/RNase-free	12,000	Plastic rack	25/300



### Centrifuge Tubes with Plug Seal Cap

Cat.No.	Capacity(ml)	Bottom	Sterile	DNase/RNase	Max Rotate Speed(xg)	Package	Max Rotate Speed(xg)Package
CFT550150	15	Conical	N	—	12,000	Bulk	500
CFT510150	15	Conical	N	—	12,000	Re-sealable bag	50/500
CFT511150	15	Conical	Y	DNase/RNase-free	12,000	Re-sealable bag	25/500
CFT521150	15	Conical	Y	DNase/RNase-free	12,000	Paper rack	25/500
CFT621150	15	Conical	Y	DNase/RNase-free	12,000	Plastic rack	25/300
CFT500500	50	Conical	N	—	12,000	Bulk	500
CFT510500	50	Conical	N	—	12,000	Re-sealable bag	50/500
CFT511500	50	Conical	Y	DNase/RNase-free	12,000	Re-sealable bag	25/500
CFT521500	50	Conical	Y	DNase/RNase-free	12,000	Paper rack	25/500
CFT621500	50	Conical	Y	DNase/RNase-free	12,000	Plastic rack	25/300
CFT660500	50	Self-standing	N	—	6,000	Bulk	500
CFT610500	50	Self-standing	N	—	6,000	Re-sealable bag	25/500
CFT611500	50	Self-standing	Y	DNase/RNase-free	6,000	Paper rack	25/500





## SureSeal™ 50ml Centrifuge Tubes

Longer length screw caps with sealing ring prevent any leakage

- \* Conical bottom and self-standing bottom
- \* Easy-to-read black graduations are accurate to  $\pm 2\%$ , 2.5ml increments (50ml)
- \* With a large unerasable frosting white printed writing area
- \* Both the graduations and writing areas are chloroform-resistant
- \* Engraved graduation at the conical bottom of each tube
- \* Max rotate speed up to 12,000xg for conical bottom tubes, while 6,000xg for self-standing tubes
- \* Autoclavable at 121°C and freezable to -80°C
- \* Leak-proof

Cat.No.	Capacity (ml)	Bottom	Speciality	Sterile	Max. Rotate Speed(xg)	Package	Qty. per bag/case
CFT616500	50	Conical	—	N	12000	Bulk	500
CFT615500	50	Conical	DNase/RNase-free	Y	12000	Re-sealable bag	25/500
CFT617500	50	Conical	DNase/RNase-free	Y	12000	Paper rack	25/500
CFT614500	50	Self-standing	—	N	6000	Bulk	500
CFT613500	50	Self-standing	DNase/RNase-free	Y	6000	Re-sealable bag	25/500



## Amber Centrifuge Tubes

Cat.No.	Capacity(ml)	Bottom	Sterile	Speciality	Max Rotate Speed(xg)	Package	Qty. per bag/case
CFT710150	15	Conical	N	White Plug Seal Cap ;DNase/RNase-free	12500	Re-sealable bag	50/500
CFT711150	15	Conical	Y	White Plug Seal Cap ;DNase/RNase-free	12500	Re-sealable bag	25/500
CFT712150	15	Conical	Y	White Plug Seal Cap ;DNase/RNase-free	12500	Paper Rack	25/500
CFT710500	50	Conical	N	White Plug Seal Cap ;DNase/RNase-free	12500	Re-sealable bag	50/500
CFT711500	50	Conical	Y	White Plug Seal Cap ;DNase/RNase-free	12500	Re-sealable bag	25/500
CFT712500	50	Conical	Y	White Plug Seal Cap ;DNase/RNase-free	12500	Paper Rack	50/500

## Centrifugal Filters

Cap (HDPE/High-density Polyethylene); Filtration (ABS/Acrylonitrile-Butadiene-Styrene); Tube (PP/Polypropylene); Membrane: Polyethersulfone (PES); Sealing gasket (PE/Polyethylene).

### Purpose

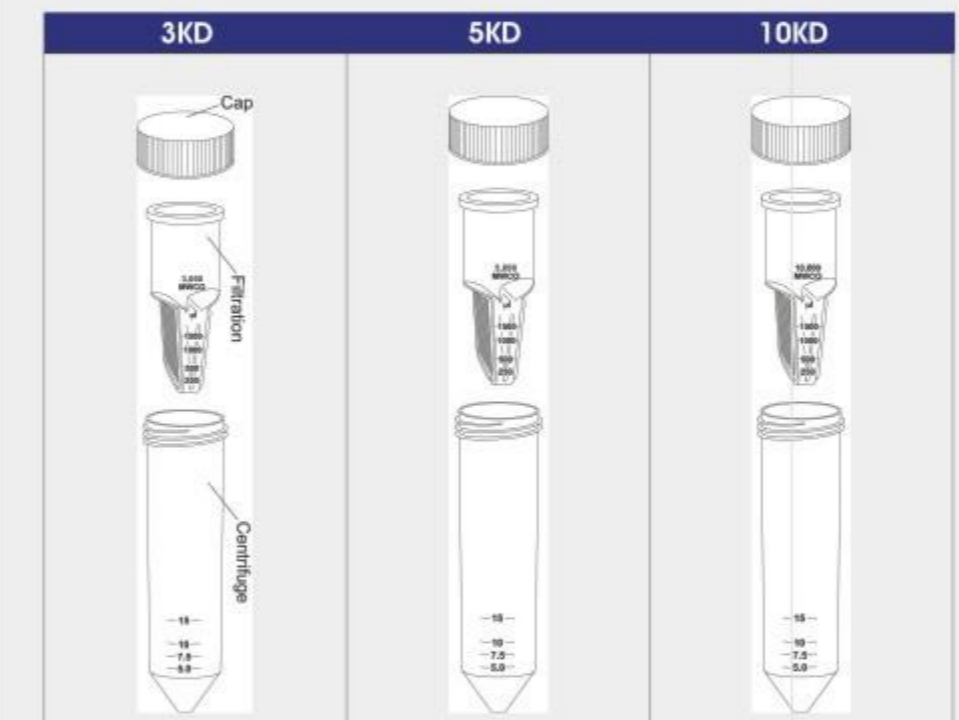
Processing of protein solutions containing biomolecules (albumin, mAbs, IgG, IgM, hormones, growth factors, etc.)

Cat.No.	Description	MWCO(KD)	Capacity(ml)	Qty.per box/case
FTT103500	50ml Conical Tubes, White Cap, Molecular Weight Cut-offs 3KD	3	15	8/96
FTT203500	50ml Conical Tubes, White Cap, Molecular Weight Cut-offs 3KD	3	15	24/96
FTT105500	50ml Conical Tubes, White Cap, Molecular Weight Cut-offs 5KD	5	15	8/96
FTT205500	50ml Conical Tubes, White Cap, Molecular Weight Cut-offs 5KD	5	15	24/96
FTT110500	50ml Conical Tubes, White Cap, Molecular Weight Cut-offs 10KD	10	15	8/96
FTT210500	50ml Conical Tubes, White Cap, Molecular Weight Cut-offs 10KD	10	15	24/96



- \* Protein Concentration, Nucleic Acid Concentration, Buffer Exchange, Dialysis, Desalting
- \* Dead stop: Avoids spinning to dryness, provides a predictable concentration factor and no need to calibrate for several samples to run in parallel  
Available in multiple pore sizes with the following defined Molecular Weight Cut-Offs (MWCO): 3,5,10,30,50 and 100KD
- \* Vertical membranes: Aligned with filtrate rather than perpendicular for less clogging, less waste and faster filtration; capable of 25- to 80-fold concentration in a single step
- \* Broad chemical compatibility: Heat-sealed membrane eliminates adhesives and downstream extractables; compatible with pH 1 to 9
- \* Reverse spin recovery: Enables maximum protein recovery without introducing pipetting errors; low binding membrane and polypropylene housing for > 90% sample recovery
- \* Reliable: Spin precious samples with confidence in one robust, sleek unit that prevents leakage  
Ultrafiltration membrane is neutrally charged, rendering it low binding for enhanced flux and recovery. The membrane has excellent chemical resistance and very low extractables
- \* Temperature range: -20°C to +50°C
- \* Autoclavability: No
- \* Maximum initial sample volume: Swinging bucket(15.0mL), Fixed angle rotor(12.0ml)
- \* Typical final concentrate volume: 200µl
- \* Maximum relative centrifugal force: Swinging bucket rotor(4,000g), Fixed angle rotor(5,000g)
- \* Active membrane area: 5.48cm<sup>2</sup>

### Dimensions (Unit: mm)



Filter device in tube (capped) Length: 119mm Diameter: 29.3mm  
 Filter device Length: 72.0mm Diameter: 29.5mm

### This membrane is not compatible with the following

- \* Acetic Acid (≥ 25%)
- \* Acetonitrile (≥ 30%)
- \* Aliphatic & aromatic esters
- \* Amines
- \* Ammonium hydroxide (≥ 5%)
- \* Aromatic & chlorinated hydrocarbons
- \* 6: This membrane is not compatible with the following
- \* Butyl acetate (≥ 40%)
- \* Dimethyl acetamide (DMAC) (≥ 30%)
- \* Ethers
- \* Hydrochloric acid (≥ 0.5 N at 50°C)
- \* Isopropyl Alcohol (≥ 25%)
- \* Ketone
- \* Methylene chloride (≥ 1%)
- \* Methyl ethyl ketone (≥ 1%)
- \* Phosphoric acid (≥ 1 N)
- \* Sodium deoxycholate (≥ 5%)
- \* Sodium hydroxide (≥ 0.5N at 50°C)
- \* Sodium hypochlorite (≥ 0.04%)
- \* Tetrahydrofuran (≥ 5%)
- \* Toluene (≥ 1%)

## 15ml PS Centrifuge Tubes

- \* 15ml PS Centrifuge Tubes
- \* Made with high-quality USP Classic VI polystyrene
- \* Molded graduations stand out distinctly on these optically clear polystyrene tubes
- \* Colorless and transparent are perfect for biological reaction experiments
- \* Engraved graduation at the bottom of each tube
- \* Max RCF up to 3000xg
- \* Leak-proof
- \* Non-pyrogenic
- \* Available in sterilized or non-sterilized

### Ordering Information

- \* Racked tubes are packaged in environmentally responsible (fully recyclable) chipboard racks or plastic racks
- \* Bagged tubes are packaged in durable and re-sealable (zip closure) bags
- \* Inner packaging is individually labeled for lot-to-lot traceability



Cat.No.	Volume(ml)	Material	Bottom	Sterile	Spedality	Package	Qty.per bag/case
CFT410150	15	PS	Conical	N	–	Re-sealable bag	50/500
CFT411150	15	PS	Conical	Y	DNase-/RNase-free	Re-sealable bag	25/500
CFT421150	15	PS		Y	DNase-/RNase-free	Plastic rack	25/500
CFT721150	15	PS	Conical	Y	DNase-/RNase-free	Plastic rack	25/300

## Plastic Centrifuge Tube Racks

PP racks are useful in corrosive environments where commonly used materials tend to crack or corrode. Perfect for supporting tubes during chemical reactions or when storing.

- \* Available with 4 colors: light green, dark green, white and blue
- \* For conical bottom tubes
- \* Made of polypropylen
- \* Marked with numbers for identification
- \* Angular at one end to stack up easily
- \* Autoclavable at 121°C and freezable to -80°C
- \* Can be washed and reused
- \* Available in sterilized or non-sterilized

### Ordering Information

- \* Tubes are packaged in durable and resealable(zip closure) bags
- \* Every bag/case has printed lot No. for quality traceability

Cat.No.	Volume(ml)	Sterile	Color	Package	Qty.per bag/case
CFR001015	15	N	Light green	Re-sealable bag	5/50
CFR011015	15	Y	Light green	Re-sealable bag	5/50
CFR002015	15	N	Dark green	Re-sealable bag	5/50
CFR012015	15	Y	Dark green	Re-sealable bag	5/50
CFR003015	15	N	White	Re-sealable bag	5/50
CFR013015	15	Y	White	Re-sealable bag	5/50
CFR004015	15	N	Blue	Re-sealable bag	5/50
CFR014015	15	Y	Blue	Re-sealable bag	5/50
CFR001050	15	N	Light green	Re-sealable bag	5/50
CFR011050	50	Y	Light green	Re-sealable bag	5/50
CFR002050	50	N	Dark green	Re-sealable bag	5/50
CFR012050	50	Y	Dark green	Re-sealable bag	5/50
CFR003050	50	N	White	Re-sealable bag	5/50
CFR013050	50	Y	White	Re-sealable bag	5/50
CFR004050	50	N	Blue	Re-sealable bag	5/50
CFR014050	50	Y	Blue	Re-sealable bag	5/50

## Centrifuge Tube Stand

Centrifuge tube stand with 7 holes is available for 1.5ml, 2.0ml, 15ml, 50ml conical-bottomed centrifuge tube. Perfect for supporting tubes during chemical reactions or when storing.

- \* 3 holes for 1.5ml, 2.0ml micro centrifuge tube, 3 holes for 15ml micro centrifuge tube, and 1 hole for 50 ml micro centrifuge tube
- \* For conical bottom tube
- \* Made of polypropylene
- \* Autoclavable at 121°C and freezable to -80°C
- \* Can be washed and reused
- \* Available in sterilized or non-sterilized

### Ordering Information

- \* Centrifuge Tube Stand is packaged in durable and resealable (zip closure) bags
- \* Every bag/case has printed lot No. for quality traceability

### Product Specifications And Details

Cat.No.	Product Description	Sterile	Qty.per. Bag/Case
CTS001001		N	1/50
CTS002001	7 holes, suitable for 1.5ml, 2.0ml micro centrifuge	Y	1/50
CTS001002	tube 15ml, 50ml conical centrifuge tube	N	5/50
CTS002002		Y	5/50



## Conical Centrifuge Bottles

Conical Centrifuge Bottles are popular in samples centrifuging or storage in many research area.

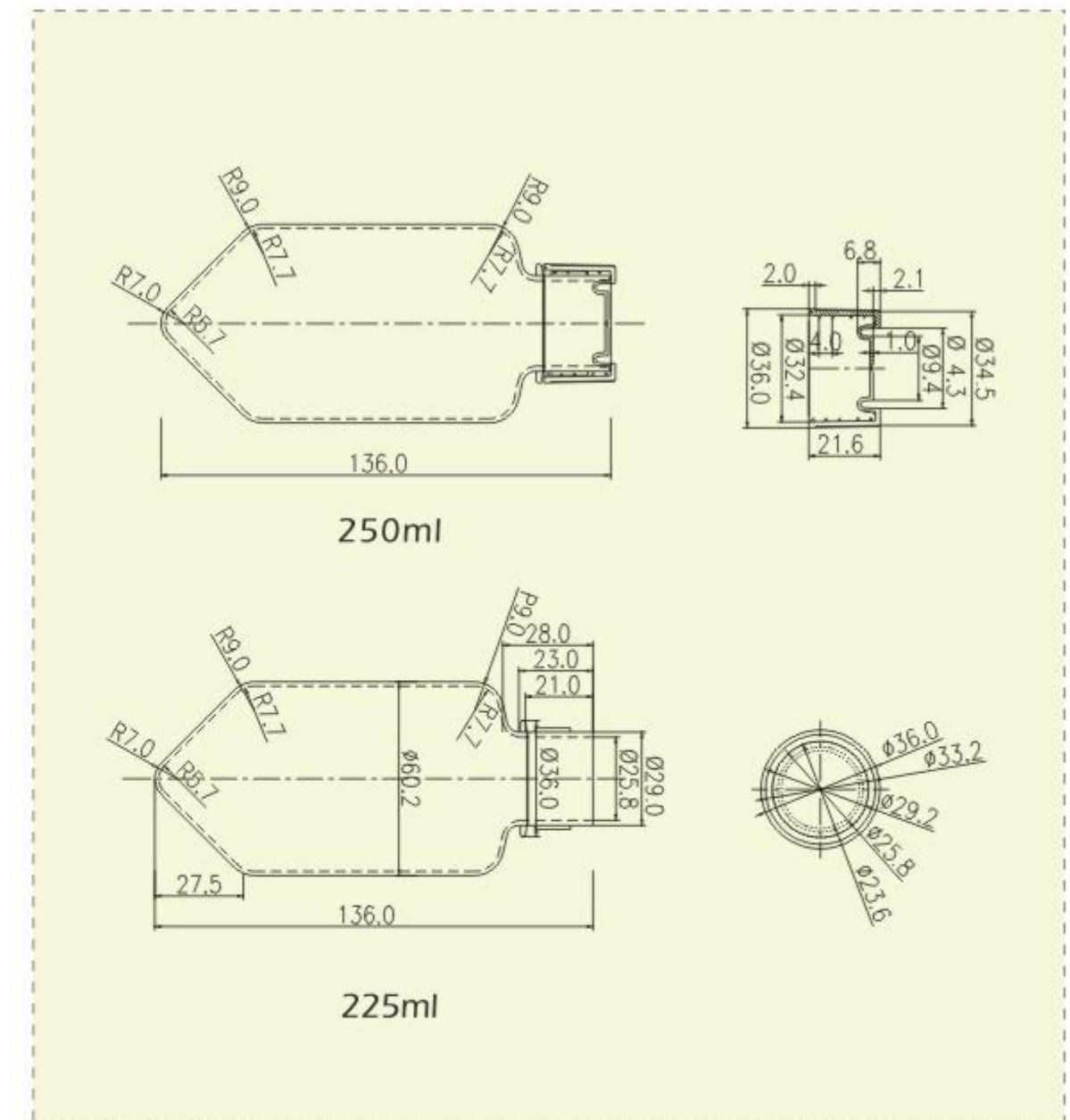
- \* Available with 2 volumes of 225ml and 250ml
- \* Made with high-quality gamma resistant polypropylene
- \* Plug seal cap made with polyethylene
- \* Engraved graduation
- \* Max RCF up to 7,500xg
- \* Autoclavable at 121°C and freezable to -196°C
- \* Sterilized by Gamma irradiation
- \* Certified DNase/RNase -free and Non-pyrogenic
- \* Leak-proof



### Ordering Information

- \* Bottles are packaged in durable and re-sealed (zip closure) bags
- \* Inner packaging is individually labelled for lot to lot traceability
- \* All bottles are packaged with caps attached

Cat.No.	Capacity(ml)	Size	Bottom	Sterile	Speciality	Qty. per bag/case
CFT012225	225	61x137	Conical	Y	RNase & DNase-free and Non-pyrogenic	6/48
CFT012250	250	61x161	Conical	Y	RNase & DNase-free and Non-pyrogenic	6/48



## Easy Flip™ Centrifuge Tubes

- \* Made from high grade gamma resistance polypropylene
- \* One hand easy flip to open the cap
- \* Max. RCF: 9,400xg
- \* Black printed graduations and white writing area can withstand chloroform
- \* Autoclavable at 121°C and freezable to -80°C
- \* Packaged in zip sealed bags or environmental friendly, recyclable paper racks
- \* Leak proof
- \* Gamma irradiation sterilized

### Ordering Information

- \* Racked tubes are packaged in environmentally responsible (fully recyclable) chipboard racks
- \* Bagged tubes are packaged durable and re-sealable (zip closure) bags
- \* Inner packaging is individually labeled for lot-to-lot traceability
- \* DNase/RNase free and non-pyrogenic

Cat.No.	Volume(ml)	Description	Package	Qty. per bag/case
CFT211150	15	Conical, Flip top cap, Sterilized	Re-sealable bag	25/500
CFT221150	15	Conical, Flip top cap, Sterilized	Paper rack	50/500
CFT211500	50	Conical, Flip top cap, Sterilized	Re-sealable bag	25/500
CFT221500	50	Conical, Flip top cap, Sterilized	Paper rack	25/500

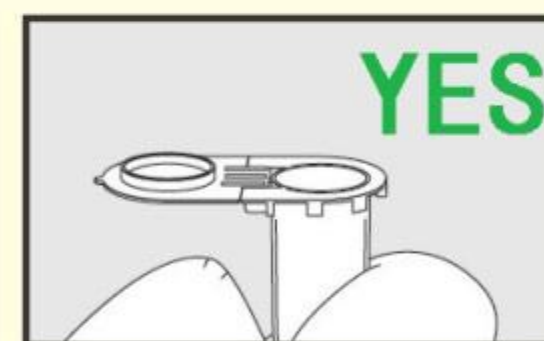
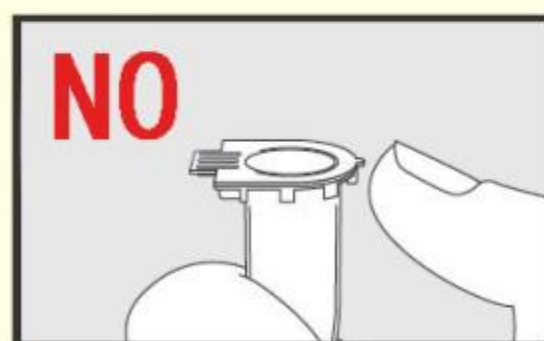


## Easy Flip™ 1.5ml Micro Centrifuge Tubes

- \* Made from high clarity and high grade gamma resistance polypropylene
- \* One hand easy flip to open the cap
- \* Engraved graduation ensure accuracy
- \* Frosted body surface provide easy and legible mark
- \* DNase/RNase free and non-pyrogenic
- \* Suitable for all standard racks and rotors
- \* Boil proof
- \* Maximum rotate speed up to 25,000xg
- \* Autoclavable at 121°C and freezable to -80°C
- \* Available in sterilized or non-sterilized

### Ordering Information

- \* Packaged in durable and re-sealed (zip closure) bags
- \* Every bag has printed lot NO. for quality traceability



Cat.No.	Capacity(ml)	Sterile	Qty. per bag/case
CFT002015	1.5	N	500
CFT003015	1.5	Y	500

## Pestles for 1.5ML Micro Centrifuge Tube

Pestles for 1.5ML micro centrifuge tube are ideal for protein and DAN resuspension as well as grind of soft tissue.

- \* Made of high quality plastic, high hardness, wear resistance
- \* Handle special process design, ease grip
- \* Sterilized by gamma irradiation
- \* Individually wrapped
- \* Non-pyrogenic and DNase/RNase-free

Cat.No.	Length(mm)	Description	Sterile	Qty. per pag/case
CSP001002	78	white, individually package	Y	1/100
CSP002002	78	white, bulk package	Y	100/1000
CSP003002	78	white, pestle and microtube combo	Y	1/100



## Micro Centrifuge Tubes

Micro centrifuge tubes are quality products for small samples Centrifuging or storage.

- \* Available with 4 volumes of 0.5ml, 1.5ml, 2.0ml and 5.0ml
- \* Engraved graduation ensure accuracy
- \* Flat and frost caps surface together with smooth and frosted body surface
- \* DNase/RNase free and non-pyrogenic
- \* Maximum rotate speed up to 25,000xg
- \* Autoclavable at 121°C and freezable to -80°C

### Ordering Information

- \* Packaged in easy opening plastic bags
- \* Available in sterilized or non-sterilized
- \* Every bag has printed lot No. quality traceability



## Maximum rotate speed up to 14,000xg

Cat.No.	Volume(ml)	Lid	Sterile	Package	Qty. per bag/case
CFT008020	2.0	N	N	Re-sealable bag	1000/15000
CFT108015	1.5	Y	N	Re-sealable bag	50/200
CFT108020	2.0	Y	N	Re-sealable bag	50/180

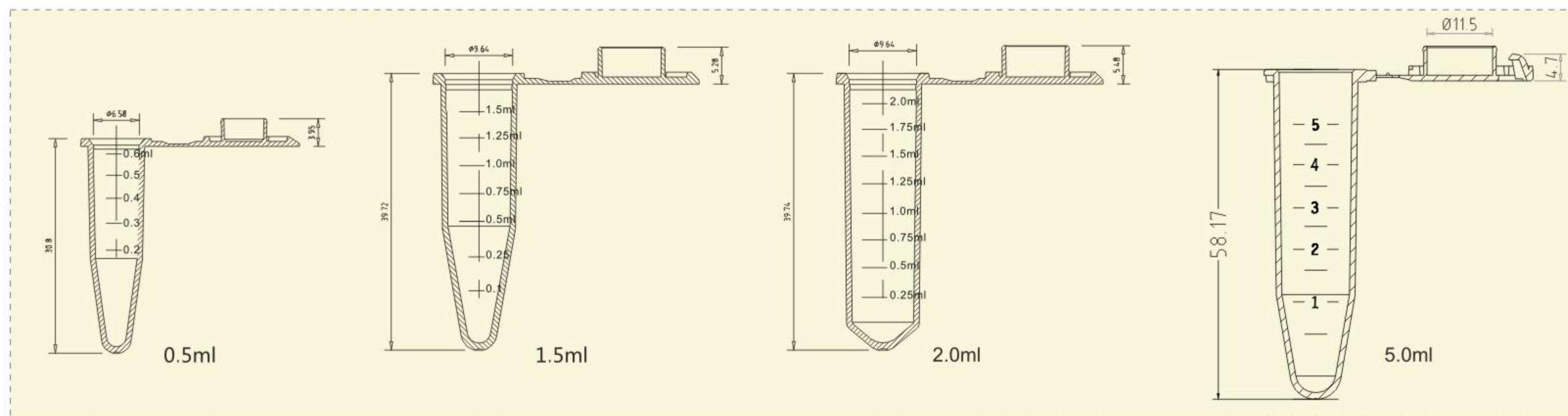






### Micro Centrifuge Without Lid Lock

Cat.No.	Capacity(ml)	Color	Sterile	Qty. per bag/case
CTF000005	0.5	Natural	N	1000/8000
CFT000015	1.5	Natural	N	500/4000
CFT000020	2.0	Natural	N	500/4000
CFT000050	5.0	Natural	N	180/1800
CFT022050	5.0	Natural	N	200/4000
CFT023050	5.0	Blue	N	200/4000
CFT024050	5.0	Yellow	N	200/4000
CFT025050	5.0	Green	N	200/4000
CTF026050	5.0	Rose red	N	200/4000
CFT120050	5.0	Black	N	200/4000
CFT110050	5.0	Yellow	N	250/2500
CFT112050	5.0	Black	N	250/2500
CFT001005	5.0	Natural	Y	1000/8000
CFT001015	1.5	Natural	Y	500/4000
CFT001020	2.0	Natural	Y	500/4000
CFT001050	5.0	Natural	Y	180/1800
CFT002050	5.0	Natural	Y	200/4000
CFT003050	5.0	Blue	Y	200/4000
CTF004050	5.0	Yellow	Y	200/4000
CFT005050	5.0	Green	Y	200/4000
CFT006050	5.0	Rose red	Y	200/4000
CFT021050	5.0	Black	Y	200/4000
CFT011050	5.0	Yellow	Y	250/2500
CFT031050	5.0	Black	Y	250/2500





### Micro Centrifuge Tube With Lid Lock

Cat.No.	Capacity(ml)	Color	Sterile	Qty. per bag/case
CFT010005	0.5	Natural	N	1000/8000
CFT010015	1.5	Natural	N	500/4000
CFT020015	1.5	Brown	N	500/4000
CFT010020	2.0	Natural	N	500/4000
CFT122050	5.0	Natural	N	200/4000
CFT123050	5.0	Blue	N	200/4000
CFT124050	5.0	Yellow	N	200/4000
CFT125050	5.0	Green	N	200/4000
CTF126050	5.0	Rose red	N	200/4000
CFT120050	5.0	Black	N	200/4000
CFT110050	5.0	Yellow	N	250/2500
CFT112050	5.0	Black	N	250/2500
CFT001105	0.5	Natural	Y	1000/8000
CFT011015	1.5	Natural	Y	500/4000
CFT021015	1.5	Natural	Y	500/4000
CFT011020	2.0	Brown	Y	500/4000
CFT222050	5.0	Natural	Y	200/4000
CFT223050	5.0	Blue	Y	200/4000
CTF224050	5.0	Yellow	Y	200/4000
CFT225050	5.0	Green	Y	200/4000
CFT226050	5.0	Rose red	Y	200/4000
CFT220050	5.0	Black	Y	200/4000
CFT210050	5.0	Yellow	Y	250/2500
CFT212050	5.0	Black	Y	250/2500



### Screw Cap™ Micro Centrifuge Tubes

Cat.No.	Capacity(ml)	Color	Spedality	Sterile	Cap	Qty. per bag/case
CFT002005	0.5	Natural	Conical	N	N	500/5000
CFT003005	0.5	Natural	Conical	Y	Y	500/5000
CFT004005	0.5	Natural	Self-standing	N	N	500/5000
CFT005005	0.5	Natural	Self-standing	Y	Y	500/5000
CFT005015	1.5	Natural	Conical	N	N	500/5000
CFT006015	1.5	Natural	Conical	Y	Y	500/5000
CFT007015	1.5	Natural	Self-standing	N	N	500/5000
CFT008015	1.5	Natural	Self-standing	Y	Y	500/5000
CFT002020	2.0	Natural	Conical	N	N	500/5000
CFT003020	2.0	Natural	Conical	Y	Y	500/5000
CFT004020	2.0	Natural	Self-standing	N	N	500/5000
CFT005020	2.0	Natural	Self-standing	Y	Y	500/5000