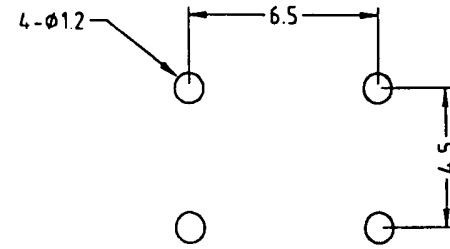
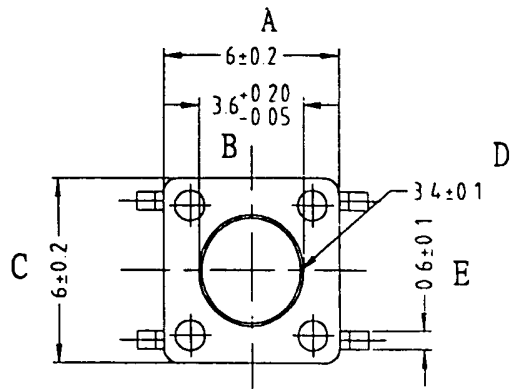


規格書 SPECIFICATIONS

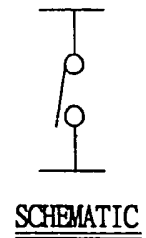
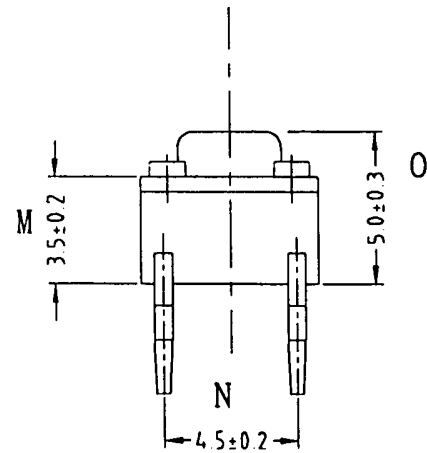
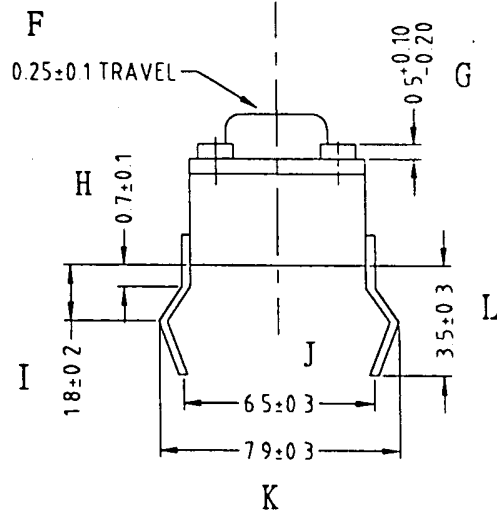
產品編號 PART NUMBER	TS-06V-BSM	產品名稱 TYPE OF PRODUCT	TACT SWITCH
---------------------	------------	-------------------------	-------------

1. RATING: DC 12V, 50mA.
2. DIELECTRIC STRENGTH: AC 250 V, 60 Hz FOR 1 MINUTE.
3. INITIAL INSULATION RESISTANCE:
100 M Ω MIN. AT DC 500 V,
AFTER TESTING 50 M Ω MIN.
4. CONTACT RESISTANCE:
BEFORE TESTING 80 m Ω MAX.
AFTER TESTING 100m Ω MAX.
5. OPERATING TEMPERATURE RANGE:

-10 TO 50°C
6. OPERATING FORCE (gf)
160gf \pm 30gf
7. LIFT TEST:
50,000CYCLES OF UNLOADING.
(20-25 CYCLES / MINUTE) UNLOAD.
CHANGE OF SWITCHING TENSION \pm 20%gf.
8. SOLDERING CONDITION:
MOLTEN SOLDER 250°C \pm 5°C (5 \pm 1 SECONDS)



P.C.B LAYOUT



Description TACT SWITCH		Model no. TS-06V-BSM	Tolerance unless otherwise specified
			Tolerance ± 0.3
			Angular $\pm 3^\circ$
Drawn by	Date:		
Approved	Date:		
Scale 2:1	Unit: mm		