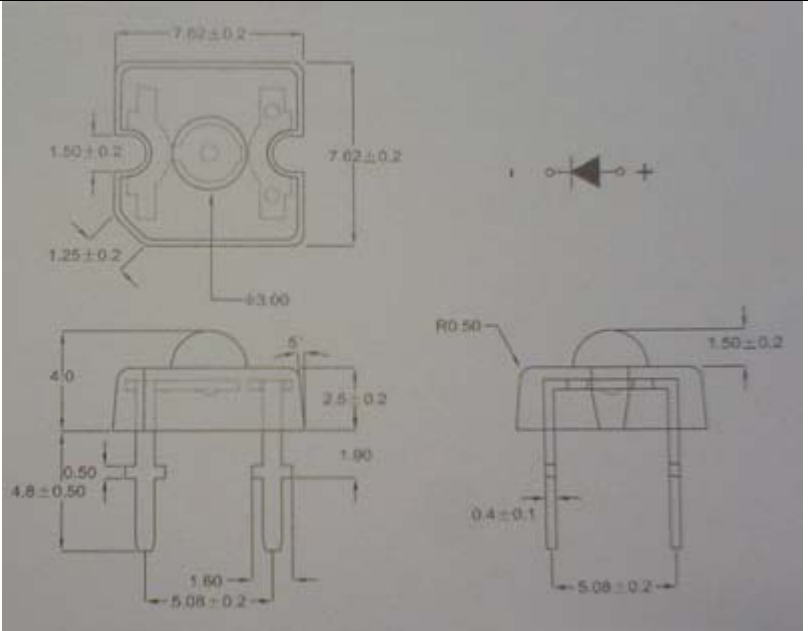


3.0*1.9&7.6*7.6mm Polygonal LED Lamps (3.0*1.9&7.6*7.6)



Package Dimensions (mm)



Part Number	Chip Material	Lens Type	Emitting Color	Forward Voltage (V)		Dominant Wavelength (nm)		Luminous Intensity (mcd)		Reverse Current (μA)	Viewing Angel
				TYP	MAX	MIN	MAX	MIN	MAX		(deg)
CT402 R3ST-1.9	AlGaInP	Water Clear	S-B Orange Red	1.95	2.50	620	630	3000	4000	10	60