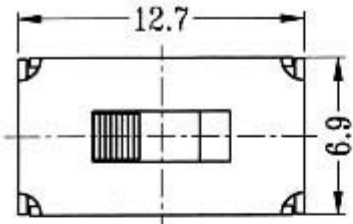
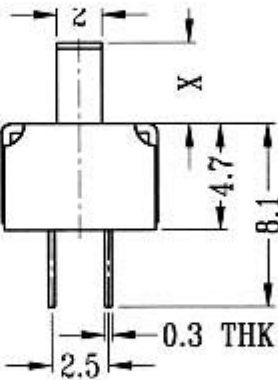
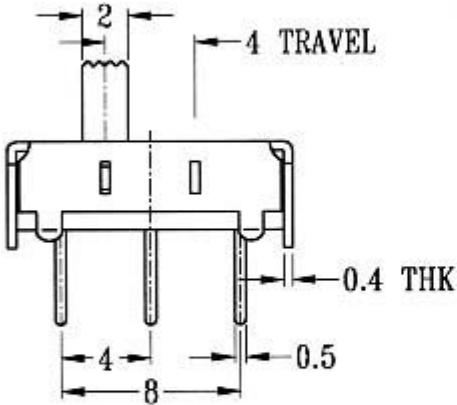


SS-22H07

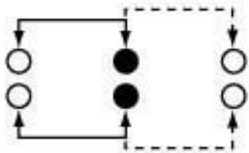


Optional knob type

GE	PG	VA			



CIRCUIT DIAGRAM



SPECIFICATIONS

NON-SHORTING

Rating: 0.3A 50V DC
Function: 2P2T

WEALTH METAL FACTORY LTD.

Return

