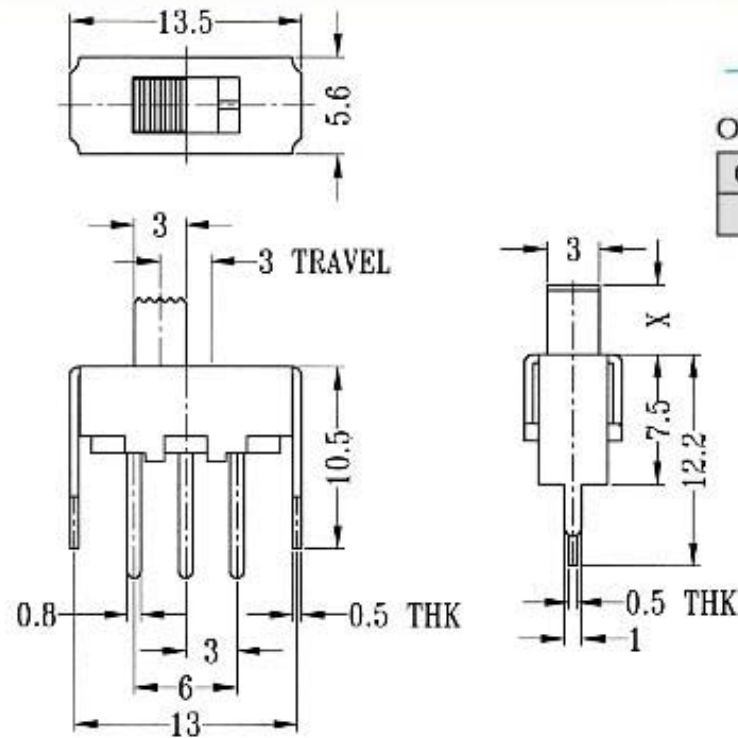


SS-12F108

Optional knob type

GE	VA	AT	NY		



CIRCUIT DIAGRAM



SPECIFICATIONS

Rating : 0.5A 50V DC
Function: 1P2T

NON-SHORTING

WEALTH METAL FACTORY LTD.

