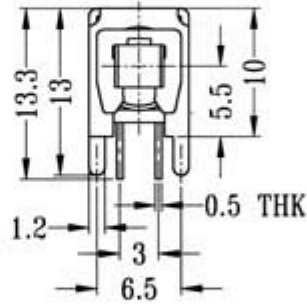
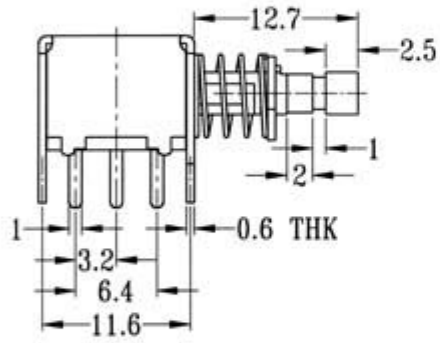
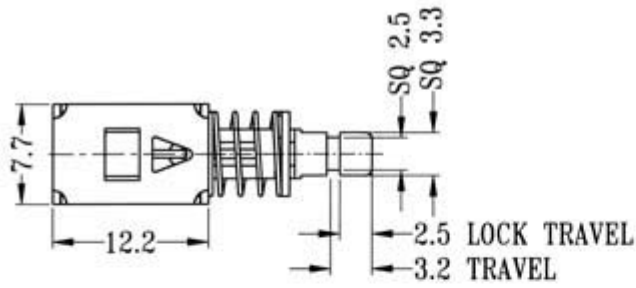


PS-22F02 PS-22F03



(LOCKED)

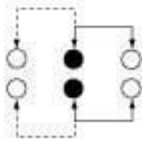
(NON-LOCKED)



CIRCUIT DIAGRAM

SPECIFICATIONS

 NON-SHORTING
 SHORTING



Rating : 0.3A 50V DC
Function: 2P2T

WEALTH METAL FACTORY LTD.

Return

