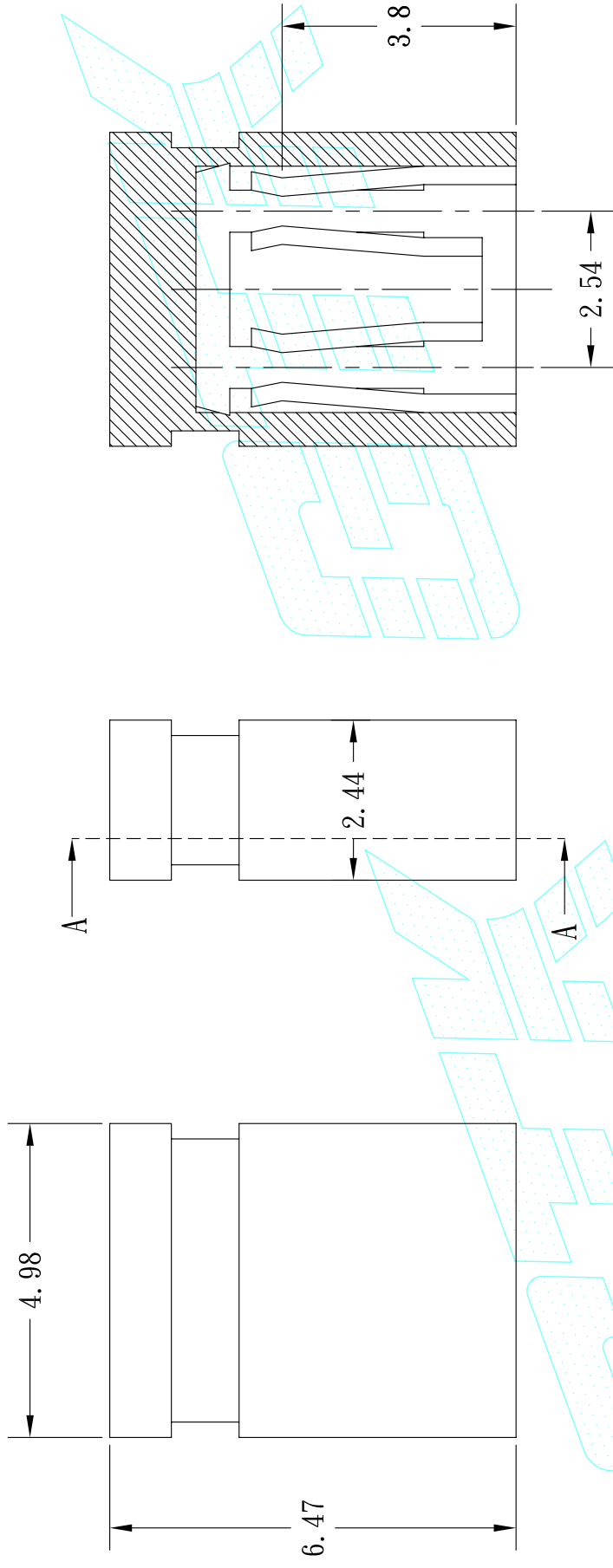


REV	ECN NO.	DESCRIPTION	DATE
A		RELEASE	OCT. 28' 05



SPECIFICATIONS

CURRENT RATING: 3 AMP MAX.
 CONTACT RESISTANCE: 30mΩ MAX.
 INSULATION RESISTANCE: 1000MΩ MAX.
 DIELECTRIC WITHSTANDING VOLTAGE: 650V AC RMS AT SEA LEVE

Note:
 /RH=RoHS Compliant.

MATERIAL & FINISH

INSULATOR: 30% GLASS FILLED P.B.T(UL 94V-0).
 COLOR: RD=RED . BL=BLUE
 CONTACT: PHOSPHOR BRONZE , GOLD PLATED.



GOLD-TEK ELECTRIC CO., LTD.

PART NO.	MJ2MH/** (/RH)
CAD NO.	F:\Draw\SOC\SOC-0391
SHEET	1 OF 1



TOLERANCE UNLESS OTHERWISE SPECIFIED	ANGLE
LINEAR	UNITS
X. ±	MM
.X ± 0.20	
.XX ± 0.10	
.XXX ±	
APPD	SCALE
CHKD	SIZE
DRAW	Z.
	OCT. 28' 2005

圖面編號: **GTKSD1660-A(1)**