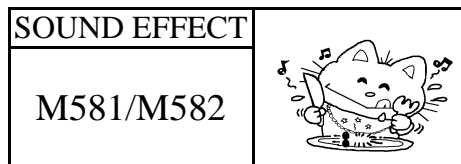




DING-DONG  
DOOR BELL

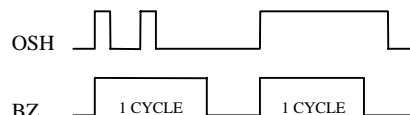
電 源 控 制  
單 音 門 鈴 IC



FEATURES 功能敘述

- MODE : VDD CONTROL.
- Separate LED and BUZZER driver.

M581 1 TIME  
M582 2 TIMES



APPLICATION 產品應用

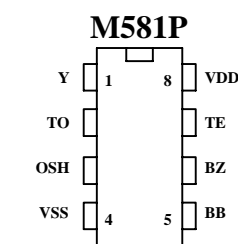
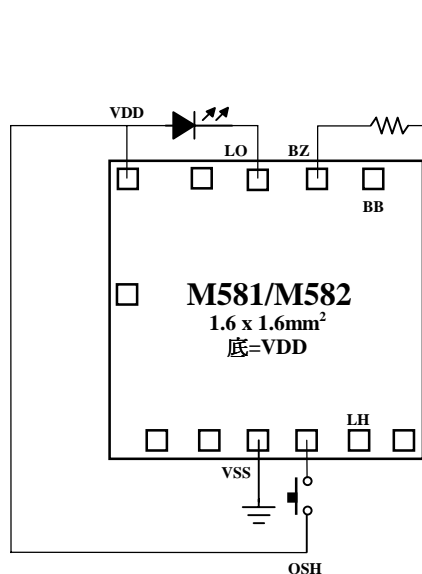
- Door Bell, Toys.

ELECTRICAL CHARACTERISTICS 電氣規格

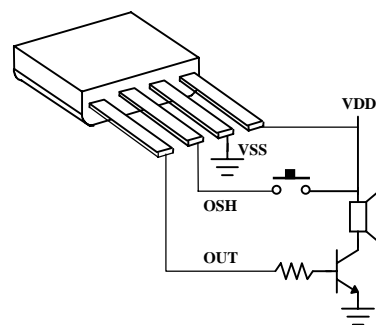
( @  $V_{DD}=3V$  unless otherwise specified )

Characteristics	Sym.	Min.	Typ.	Max.	Unit	REMARKS
工作電壓 Operating Voltage	$V_{DD}$	—	3	4.5	V	
工作電流 Operating Current	$I_{OP}$	—	0.1	0.5	mA	No load
靜態電流 Quiescent Current	$I_{SB}$	—	1	5	$\mu A$	
推動電流 BZ Driving Current	$I_O$	1	—	—	mA	@ $V_{DS}=1V$
推動電流 LO Driving Current	$I_{OL}$	6	—	—	mA	@ $V_{DS}=1.2V$
振盪頻率 Oscillator Frequency	$F_{OSC}$	—	100	—	KHz	$\pm 30\%$ TOL.
工作溫度 Operating Temperature	Temp.	0	25	60	$^{\circ}C$	

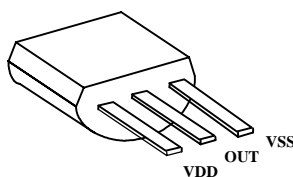
APPLICATION DIAGRAM 參考電路圖



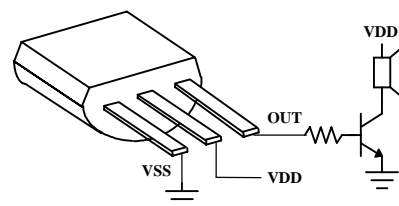
TO92-4L



TO92-3L ( Suffix -A )



TO92-3L ( Suffix-T )



\*All specs and applications shown above subject to change without prior notice.

( 以上電路及規格僅供參考,本公司得逕行修正 )