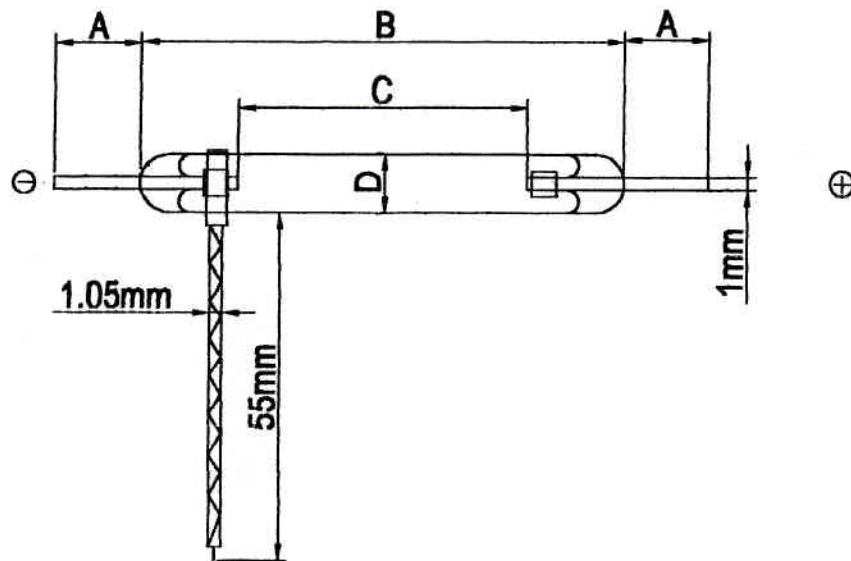




# EUBON PRODUCTS COMPANY LTD.



## SPECIFICATION

|                             |                             |
|-----------------------------|-----------------------------|
| Normal flash energy         | 0.5W                        |
| Design anode voltage        | 250V                        |
| Max. anode voltage          | 360V                        |
| Min. anode voltage          | 150V                        |
| Min. trigger voltage        | 3KV                         |
| Dimensions A                | 4mm                         |
| Dimensions B                | 30±1mm                      |
| Dimensions C                | 14±1mm                      |
| Dimensions D                | ∅4.0±0.15mm                 |
| Flash rate at normal energy | 30/Sec.                     |
| Life                        | 1.8x10 <sup>7</sup> flashes |

|             |                                                                                     |          |                  |
|-------------|-------------------------------------------------------------------------------------|----------|------------------|
| DESIGNED BY |  | TYPE NO. | TL-4030          |
| CHECKED     |  | NAME     | XENON FLASH TUBE |