

## Company Profile

Founded in 2008, the company specializes in the sale of machinery and repair and maintenance of various machinery equipment. With more than 7,000 warehouses, 62 employees, including 26 aftermarket engineers, ready to serve more than 1,000 customers and spread across 77 provinces in Thailand. In 15 years of professional service experience. Commitment to fast service within 12-24 hours Choose good machinery and service, choose LT GROUP, your customer's needs are our goal and our goal is: Your customer's confidence



# After-sales



## OUR PARTNERS


## OUR COMPANY SENFENG LEIMING LASER

SENFENG LEIMING Professional laser manufacturers engaged in research,development,manufacturing, selling laser cutting services laser cutting system laser cleaning machine, laser marking machine,laser welding machine and 3D robot these equipment are widely used in kitchen equipment,mechanical equipment,auto parts display equipment and metal processing ZENFENG LEIMING laser has four standard laser base manufacturing equipment totaling an area of more than 120,000 meters. The company employs more than 950 people,many sets of full automatic production equipment, with strict production process annual out put can reach 5000 sets through CE from TUV,FDA, ISO9001, other International Certification at the same time,SENFENG Laser has established many branches in Germany, USA, India perfect and service to provide solutions for customers all over the world.



โรงงาน SENFENG LAIMING LASER



Uzbekistan



Uzbekistan



Argentina



USA



Myanmar

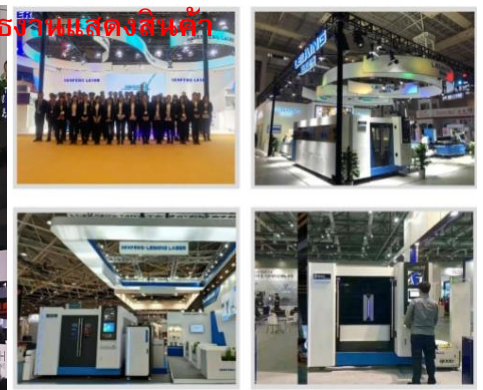


Libya

ภาพรวมลูกค้าที่ให้บริการ



กิจกรรมออกบูธงานแสดงสินค้า



สาขาสหรัฐอเมริกา

สาขาเยอรมนี

สาขาอินเดีย

สาขาปากีสถาน



โรงงาน SENFENG LAIMING LASER สาขาต่าง ๆ ที่ สหรัฐอเมริกา,เยอรมัน,อินเดีย,ปากีสถาน

การจัดส่งสินค้า

## CUSTOMER



## PRODUCT



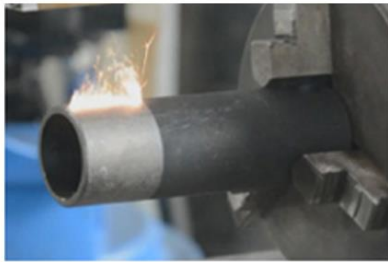
## Fiber laser cleaning machine to clean metal



Fiber Laser Metal Cleaning System This device uses a water cooling system (COOLLING) and operates with a fiber laser. Easy operation with a 10-meter cable, which can clean the metal well. High efficiency  
Fiber laser cleaning can replace traditional cleaning methods such as sandblasting to clean rust along metal surfaces. Chemical cleaning Ultrasonic cleaning and dry ice cleaning Compared to traditional cleaning methods. Fiber laser cleaning has many advantages.

Fiber laser cleaning will not use chemicals or other consumables that are toxic, environmentally friendly. It is safe to use and has many advantages. For example, for example:

- The disposal of waste is mainly solid powder. It is small in size, easy to store, clean and recycle.
- Cleaning with less smoke and low noise Does not harm human health.
- Contactless cleaning No residue, reduces pollution
- Selective cleaning can be carried out without damaging the surface. The strength and frequency settings can be set.
- No media is used to work. Only electricity and wind consumption is not more than 10 bar.
- The machine is sluggish per use, saving labor costs.
- For hard-to-reach areas or surfaces Hazardous environment Use it without getting close.



#### Non-contact cleaning of the skin

Laser cleaning uses a high-energy laser beam to irradiate the surface of the workpiece to clean and remove rust from the surface of the workpiece through dusting and specific thermoelastic. There are no chemicals in the cleaning, which can avoid serious damage to the surface (particle cleaning) and moderate residues (chemical cleaning) in traditional cleaning and reduce surface damage to an acceptable level.

### Various modes of operation

Laser cleaning can be divided into handheld and automatic cleaning. Hand-held cleaning It is operated by the operator holding the mobile laser cleaning device and holding the laser head. Automatic cleaning integrates laser cleaning systems with forced robots, crawling robots , AGVs and other devices to achieve accurate and efficient cleaning.



It can clean many types of dirt.

Cleansing on metal surfaces Snim stains, powder coatings Heat-treated paint Laser cleaning can be removed.

### Low production costs



Laser cleaning does not use consumables, and the cost of operation has advantages compared to traditional methods.

Performance parameters: The laser generates high-energy pulsed laser light, which is transmitted to the shape-forming module through fiber optics and reflected by a single-axis or two-axis scanning galvanometer to irradiate a layer of dirt on the surface of the workpiece. Cleaning is done after vaporization. Light peeling Light decay and light vibration

**TECHNICAL PARAMETER**

<b>Model</b>	LT-1000W / LT-1500W / LT-2000W
<b>Laser Type</b>	Fiber Laser
<b>Laser Wavelength</b>	1060NM (±10NM)
<b>Applicable Power</b>	≤ 2000W
<b>Collimation</b>	D20x5 / F60
<b>Focus</b>	D20x4.5 / F400
<b>Reflection</b>	30x14 T2
<b>Protective Lens</b>	18x2
<b>Vertical Focus Range</b>	±10 MM
<b>Spot Adjustment Range</b>	0 - 150 MM
<b>Air Pressure</b>	Maximum 10 Bar
<b>Cooling System</b>	Water Cooling
<b>Total Power</b>	6.5 KW
<b>Power Voltage</b>	AC 220V/380V (±10%) 50HZ/60HZ
<b>Machine Size</b>	680MM x 1160MM x 940MM
<b>Machine Weight</b>	300 KG

Scanning frequency range: 0~100Hz

Scanning width range: 0~20mm/50mm/150mm/300mm

The maximum width is selected according to the gun body and the model of the focus lens.

Maximum power range: 1W~xW, x is the laser power set on the setup page.

Duty cycle range: 0~100% , the default setting is 100% , normally no need to change.

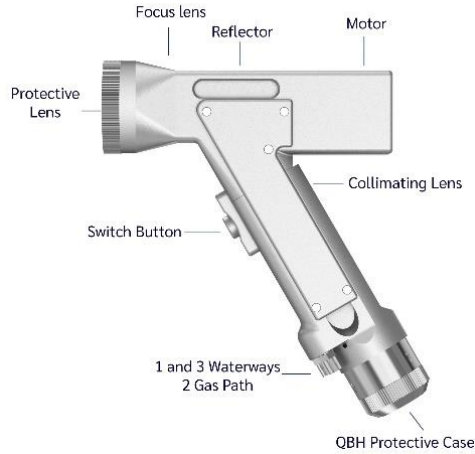
Pulse frequency range: 5~100000Hz , recommended 5~5000Hz;

Fiber laser metal cleaning machine can better control the heat feed to prevent the surface.

Overheating or melting the material surface. And it can work continuously.



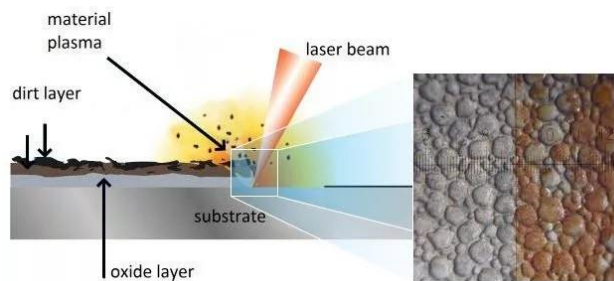
## Fiber laser cleaning gun



## Multiple cleaning Cmethods



## working principle



### work



交通轨道行业



汽车制造行业



石油化工行业



新能源锂电/风电

锂离子电池的生产制造包括极片制造、电芯制作以及电芯组装三部分。...



PCB/C行业



模具行业



器械表面分层除漆



无伤除氧化层



清洗涂层破层

### Sample display





## Contacts



จำหน่ายโดย : บริษัท แอลที อินดัสเทรียล กรุ๊ป จำกัด

Call: (+66) 02-1204845 (OFFICE )

Call: (+66) 099-1283030 (HOTLINE )

Web: [WWW.LTINDUSTRIALGROUP.COM](http://WWW.LTINDUSTRIALGROUP.COM)

E-mail : [LTINDUSTRIALGROUP.COM](mailto:LTINDUSTRIALGROUP.COM)



Line ID : [@LTINDUSTRIALGROUP](https://www.line.me/@LTINDUSTRIALGROUP)