



Mixed-Bed Demineralizer Unit : MB model

For High Purity Water Polishing

Introduction Of Mixed-Bed Demineralizer

Mixed Bed demineralizer is a demineralizer in which the cation and anion resin beads are mixed together. Mixed bed demineralizer plant embodies a single column to produce a very high water quality by the many ion exchange reactions that continually occur as the water passes through the Mixed Bed of resins, which is applied for use to a variety of industries.

Product Features

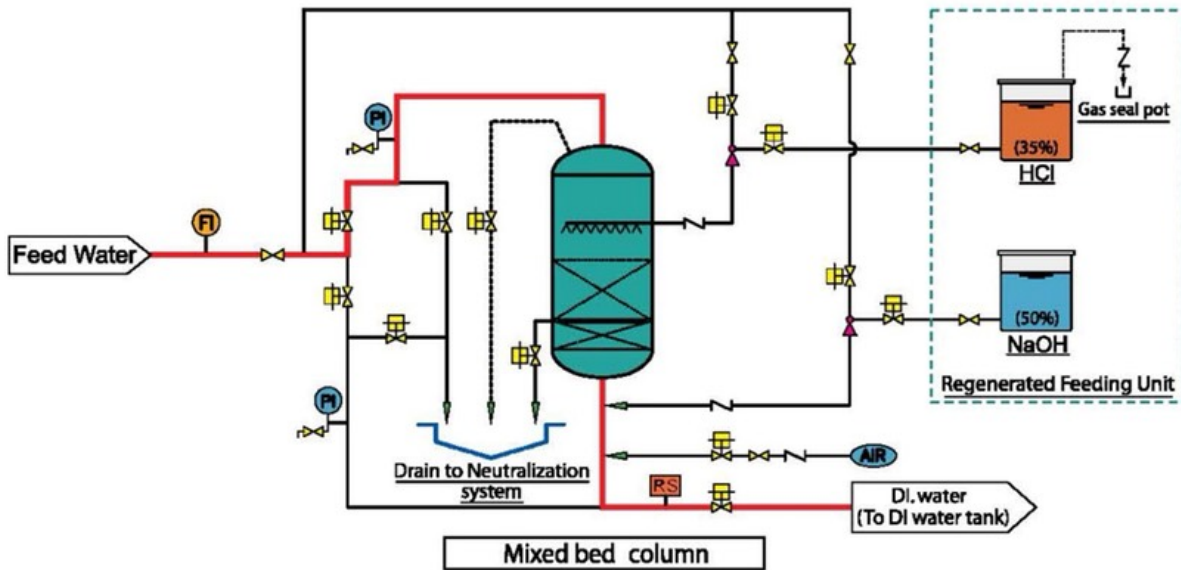
- ▶ Use high grade of mixed resin are cation and anion resins.
- ▶ Mixed in a single vessel to produce the water is extremely pure.
- ▶ Produce high quality of deionized water of less than or equal $1M\Omega$ - cm.
- ▶ Regeneration under programmable logic controller with automatic pneumatic valve.
- ▶ Constructed of corrosion-resistant ensure longevity and system purity.

Product Applications

1. Removed cation and anion in water.
2. De – Alkalization.
3. Heavy metal removal.
4. Nitrate and Sulfate removal.
5. Sugar solution color removal.
6. Condensate polishing.
7. Others.



Flow Diagram of Automatic Mixed bed



Product Specifications of Mixed Bed Demineralizer Unit : MB model

Model	Service	Tank	Straight	Chemical Consumption		Resin Volume		Unit Dimension (w x d x h)	Weight	
	Flow (m ³ /Hr)	Diameter (mm)	Height (mm)	35%HCl (Kg)	50%NaOH (Kg)	Cation (l)	Anion (l)		Product (Kg)	Operating (Kg)
MB – 250	1 – 2	250	1825	5.5	6	20	30	2000 x 1000 x 2500	300	490
MB – 350	3 – 4	350	1825	10.0	15	35	65	2000 x 1000 x 2500	350	650
MB – 430	5 – 6	430	1825	14.0	20	50	100	2000 x 1000 x 2500	500	900
MB – 530	7 – 9	530	1825	24.5	35	85	165	2200 x 1200 x 2500	700	1300
MB – 580	10 – 11	580	1825	28.5	40	100	200	2500 x 1200 x 2500	800	1470
MB – 670	12 – 14	670	1825	38.5	55	150	300	2500 x 1500 x 2500	1000	1850
MB – 870	15 – 20	870	1825	48.5	65	200	350	2600 x 1500 x 2500	1000	2150

Remarks : Out of Scope → Feed water, DI supply water, regenerate wastewater outlet and neutralization system , Air compressor unit

- ▶ For feed water conductivity will be recommended at 50 µs/cm.
- ▶ For automatic unit use compressed air supplied for pneumatic valve.
- ▶ For mixing resin use air blower with pressure about 3,000-4,000 mmAq.
- ▶ Wide range of product besides above item are available.
- ▶ All design and specifications will be subject to change with or without prior notice.



DENKO CO., LTD.

922/1-2 Moo 5 Soi Bearing Tadmai, Srinakarin Rd., Muang, Samutprakarn 10270 Thailand
Tel. : 66 (0)2758 – 5071 (Auto) Fax. : 66 (0)2758-5072 Website : www.denkothai.com