



# Filtration Unit : SF and AF model

## For Better Filtration Efficiency

### Introduction Of Filtration System

The filtration is a physical – chemical process for separating suspended and colloidal Impurities from water by passage through a bed of granular material water fills the pores of filter medium, and the impurities are adsorbed on the surface of the grains or trapped in the opening.

Filters that are designed for the particle filtration are usually pre-coat filters, sand and gravel, and activated carbon. Sand filter is applied for removal of suspended solid, turbidity whereas activated carbon is applied for adsorption of residual chlorine and organic matter even oxidizing agent or organic solvent, which we can select the filter medias inside follow requirement.



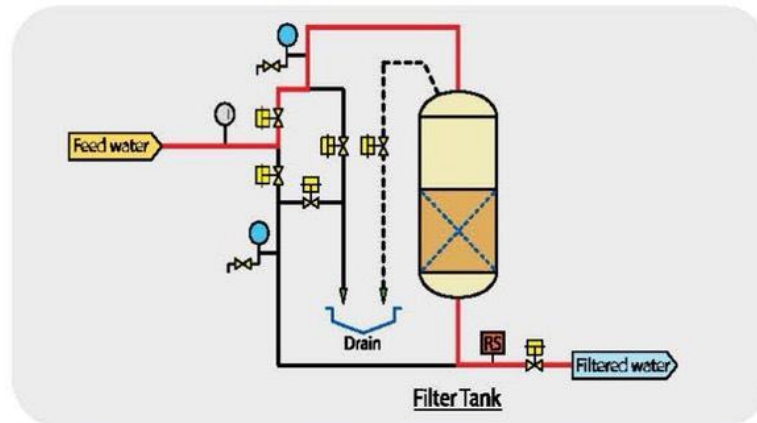
### Product Features

- ▶ Available choose manual type or automatic type.
- ▶ Inside filter tank lining by epoxy for corrosive prevention.
- ▶ Life – time of filter tank very long.
- ▶ Vent and drain vales configured for easy cleaning and efficient sampling.
- ▶ Easy to operation and maintenance.
- ▶ Low running cost.

### Product Applications

1. First developed to purify surface water Sources for drinking.
2. Pretreatment for reverse osmosis (RO), Deionization (DI), Ultra Deionization(UDI).
3. Pretreatment of industrial water for boiler, processing and cooling tower.
4. Treatment of recycling water for cooling tower.
5. Tertiary treatment for wastewater treatment plant.
6. Others.

## Flow Diagram of Sand filter & Activated carbon filter



### Product Specifications of Sand Filter : SF - model

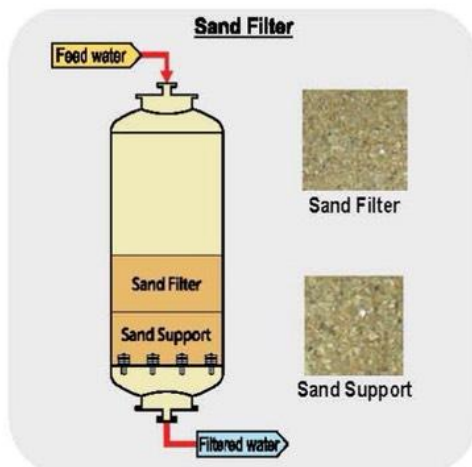
Model	Service Flow (m <sup>3</sup> /Hr)	Backwash Flow (m <sup>3</sup> /Hr)	Filter Diameter (mm)	Straight Height (mm)	Media Volume (L)	Product Weight (Kg)	Operating Weight (Kg)	Dimension (W x D x H)
SF - 01	1.0	4.0	350	1525	70	450	550	1600 X 950 X 2000
SF - 02	2.0	8.0	530	1525	150	750	950	1800 X 1200 X 2000
SF - 03	3.0	9.0	580	1525	170	900	1200	2100 X 1200 X 2000
SF - 04	4.0	12.0	670	1525	230	1150	1500	2100 X 1500 X 2000
SF - 05	5.0	16.0	770	1525	290	1500	1850	2300 X 1500 X 2000
SF - 06	6.0	20.0	870	1525	370	1700	2350	2300 X 1700 X 2000
SF - 07	8.0	25.0	960	1525	450	2100	2850	2400 X 1800 X 2000

### Product Specifications of Activated Carbon Filter : AF - model

Model	Service Flow (m <sup>3</sup> /Hr)	Backwash Flow (m <sup>3</sup> /Hr)	Filter Diameter (mm)	Straight Height (mm)	Media Volume (L)	Product Weight (Kg)	Operating Weight (Kg)	Dimension (W x D x H)
AF - 01	1.0	3.0	350	1525	70	250	350	1600 X 950 X 2000
AF - 02	2.0	7.0	530	1525	150	350	550	1800 X 1200 X 2000
AF - 03	3.0	8.0	580	1525	170	450	700	2100 X 1200 X 2000
AF - 04	4.0	11.0	670	1525	230	550	850	2100 X 1500 X 2000
AF - 05	5.0	15.0	770	1525	290	600	1050	2300 X 1500 X 2000
AF - 06	6.0	20.0	870	1525	370	700	1250	2300 X 1700 X 2000
AF - 07	8.0	25.0	960	1525	450	800	1500	2400 X 1800 X 2000

\* Wide range of product besides above items are available.

\* All designs and specifications will be subject to change with or without prior notice.



**DENKO CO., LTD.**

922/1-2 Moo 5 Soi Bearing Tadmai, Srinakarin Rd., Muang, Samutprakarn 10270 Thailand  
 Tel. : 66 (0)2758 - 5071 (Auto) Fax. : 66 (0)2758-5072 Website : www.denkothai.com