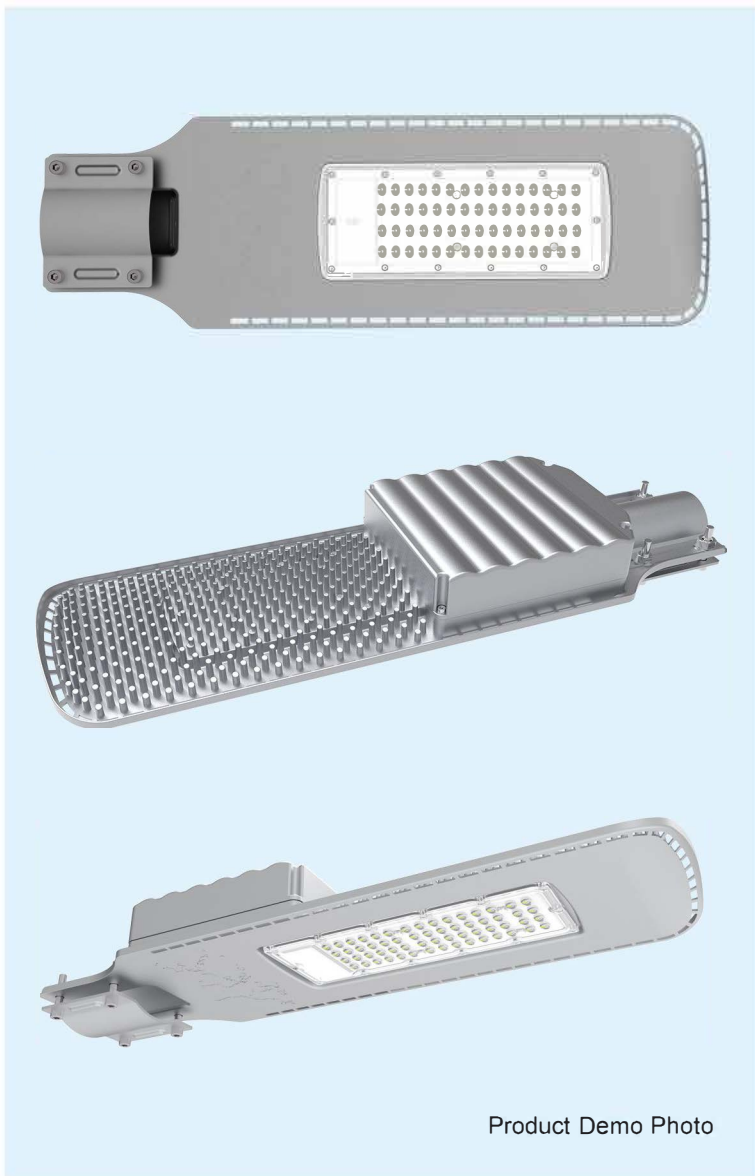
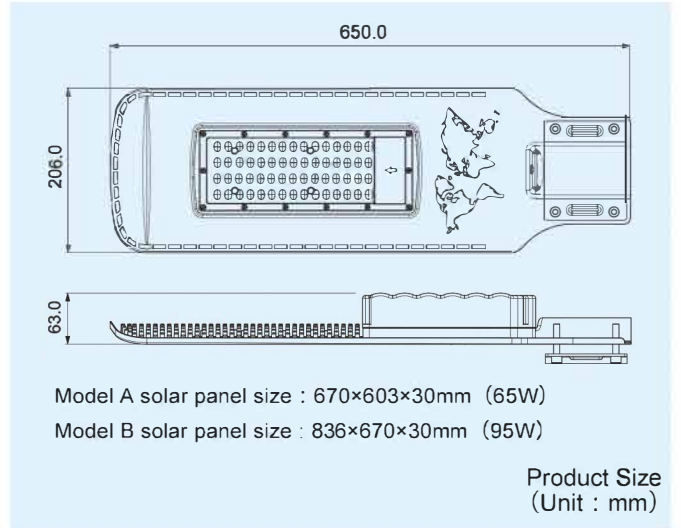
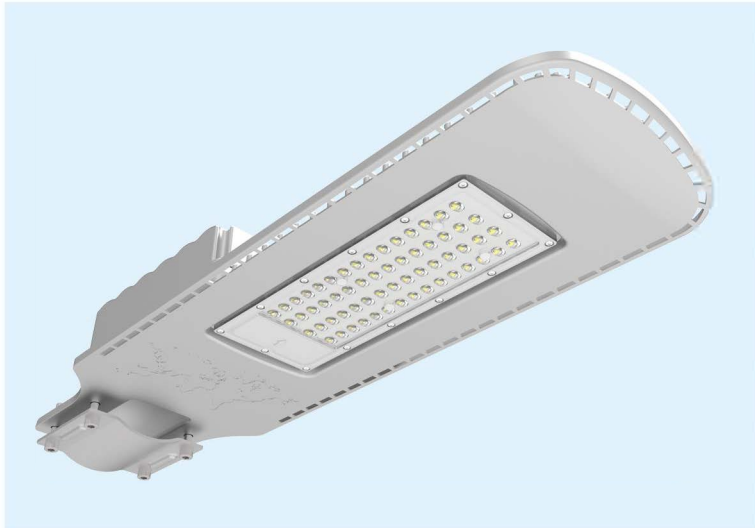
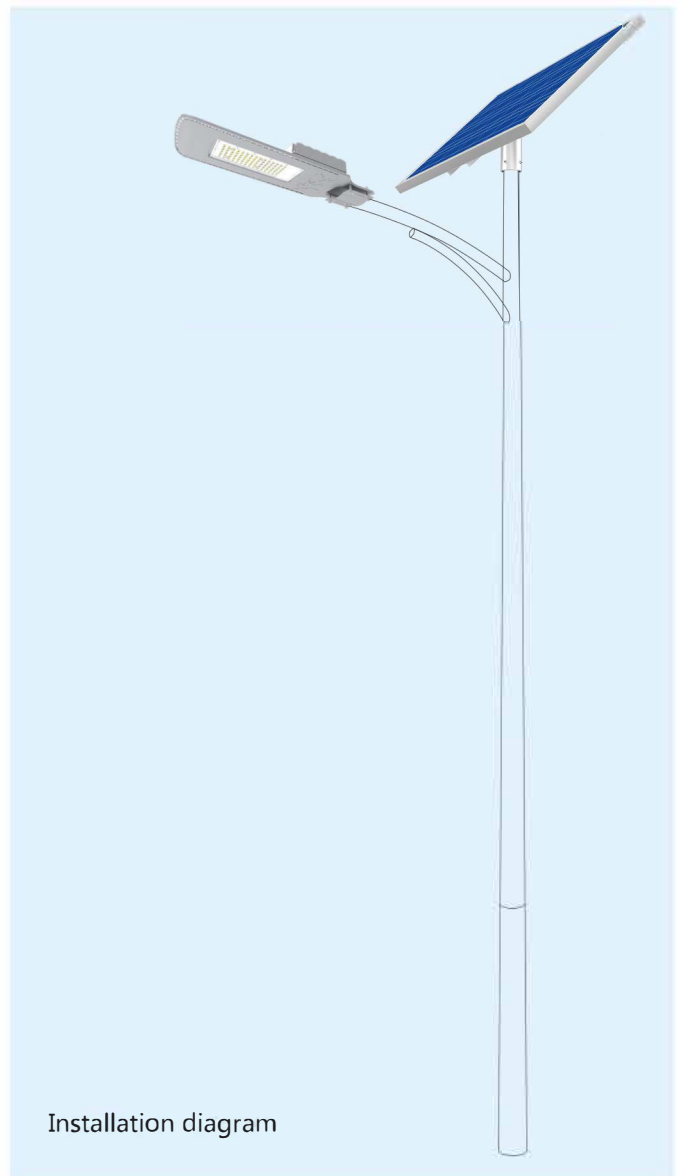


SG 8 **CE** Solar Jade Light - L — Economic Version



Product Demo Photo



Installation diagram

Product Advantage

- Original patent design, independent mould.
- High quality aluminum magnesium alloy die-casting.
- All night lighting. The light never be off no matter how many rainy or cloudy days.
- The light can be installed from Equator area to Polar regions. The working temperature is -47-70°C.
- Integrated design, modular production.
- Low voltage design, safe and Reliable.
- Integrated package, convenient transportation.
- With LiFePO₄ battery which usually apply for electric bus.
- With PC outdoor optical lens. High light transmittance, high temperature resistance and aging resistance.
- With high efficiency LED, with 50000 hrs life span.

Applicable place :

It is widely used in streets and roads, residential areas, scenic spots, parks, squares, private gardens and other public places.

Product Parameters

Solar Panel	Solar Panel	5V/65W	5V/95W
	Life Span	25 years	25 years
Battery	Voltage/ Capacity	3.2V/50 (±5)Ah LiFePO ₄ battery	3.2V/65 (±5)Ah LiFePO ₄ battery
	Life Span	8-12 years	8-12 years
LED	Luminous Flux	3200Lm Common 30W LED	5400Lm Common 50W LED
	Life Span	50,000 hrs	50,000 hrs
Installation Height		6-8m	8-10m
Installation Distance		25-35m	35-45m
Lighting Time		All night lighting, the first 4 hrs full power lighting, the rest night lighting is intelligent power control.	
Lens		With PC outdoor optical lens, high light transmittance.	
Warranty		1 years	
Qty of Package		2 pcs	
Package Size (LED)		690×225×115mm	

Applicable Place & Installation Case

