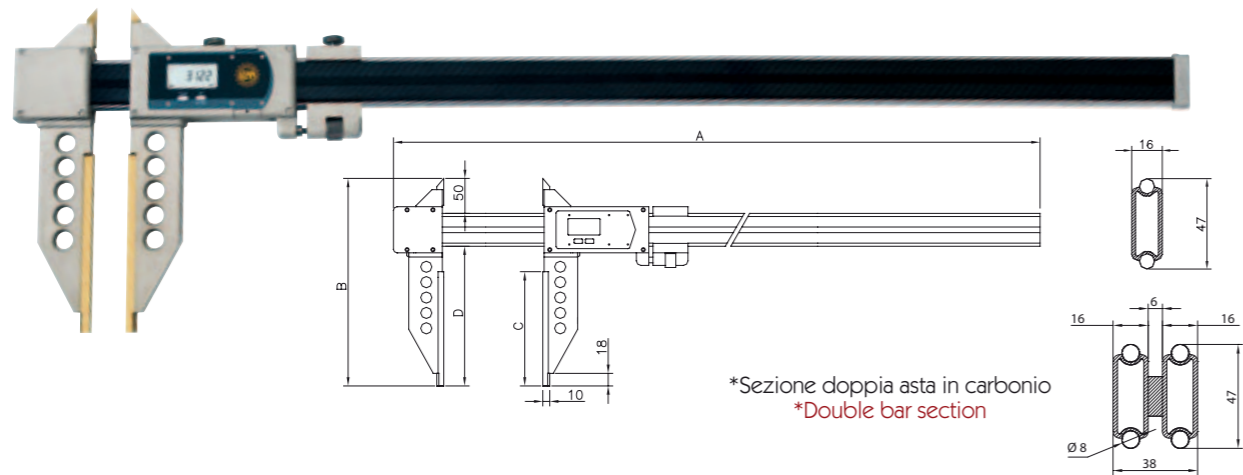


ZEUS DIGI FIBER

Calibro a corsoio in fibra di carbonio
Sliding gauge on carbon fiber

- Calibro a corsoio in fibra di carbonio
- Becche ricoperte Tin
- Becche superiori a scelta mod.A o mod.B
- Elettronica RS 232 mm/inc water resistant
- Carrello di regolazione fine
- Bloccaggio a vite
- Confezione: scatola in legno

- Sliding gauge in carbon fiber
- Tips on hardened, Tin coated stainless steel
- Two different upper jaws (type. A or type. B)
- Electronic RS232 mm/inc data output, water resistant
- With fine adjustment carriage
- Clamping screw
- Delivery in wooden case



Article	Range	A	B	C	D	Bar Section	Resolution	Accuracy	Code	Kg
ZEUS DIGI FIBER 1000/150	1000	1310	247	125	150	47 X 16	0,01	0,03	00900	2,500
ZEUS DIGI FIBER 1000/200	1000	1310	297	160	200	47 X 16	0,01	0,03	00901	2,600
ZEUS DIGI FIBER 1000/300	1000	1310	397	240	300	47 X 16	0,01	0,03	00908	2,800
ZEUS DIGI FIBER 1000/500	1000	1310	597	440	500	47 X 16	0,01	0,04	00909	3,200

Article	Range	A	B	C	D	Bar Section	Resolution	Accuracy	Code	Kg
ZEUS DIGI FIBER 1500/150	1500	1810	247	125	150	47 X 16	0,01	0,05	00915	3,200
ZEUS DIGI FIBER 1500/200	1500	1810	297	160	200	47 X 16	0,01	0,05	00902	3,300
ZEUS DIGI FIBER 1500/300	1500	1810	397	240	300	47 X 16	0,01	0,06	00910	3,500
ZEUS DIGI FIBER 1500/500	1500	1810	597	440	500	47 X 16	0,01	0,06	00916	3,900

Article	Range	A	B	C	D	Bar Section	Resolution	Accuracy	Code	Kg
ZEUS DIGI FIBER 2000/150	2000	2310	247	125	150	47 X 16	0,01	0,06	00903	3,300
ZEUS DIGI FIBER 2000/200	2000	2310	297	160	200	47 X 16	0,01	0,06	00904	3,500
ZEUS DIGI FIBER 2000/300	2000	2310	397	240	300	47 X 16	0,01	0,07	00911	3,700
ZEUS DIGI FIBER 2000/500	2000	2310	597	440	500	47 X 16	0,01	0,07	00914	4,100

Article	Range	A	B	C	D	Bar Section	Resolution	Accuracy	Code	Kg
ZEUS DIGI FIBER 2500/200	2500	2810	297	160	200	47 X 16	0,01	0,07	00912	3,700
ZEUS DIGI FIBER 2500/300	2500	2810	397	240	300	47 X 16	0,01	0,08	00913	3,900

Article	Range	A	B	C	D	Bar Section	Resolution	Accuracy	Code	Kg
ZEUS DIGI FIBER 3000/200	3000	3310	297	160	200	47 X 16	0,01	0,08	00905	4,000
ZEUS DIGI FIBER 3000/300	3000	3310	397	240	300	47 X 16	0,01	0,09	00907	4,200

Article	Range	A	B	C	D	Bar Section	Resolution	Accuracy	Code	Kg
ZEUS DIGI FIBER 3500/200	3500	3810	297	160	200	47 X 16	0,01	0,10	00917	4,900
ZEUS DIGI FIBER 3500/300	3500	3810	397	240	300	47 X 16	0,01	0,10	00918	5,100

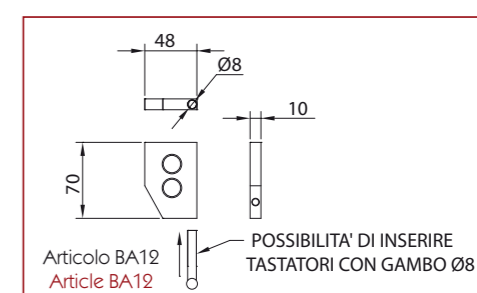
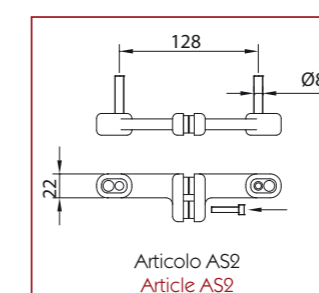
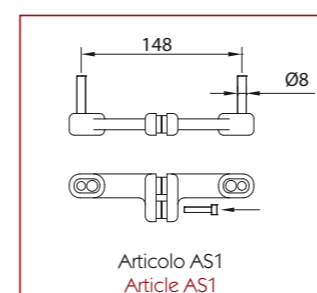
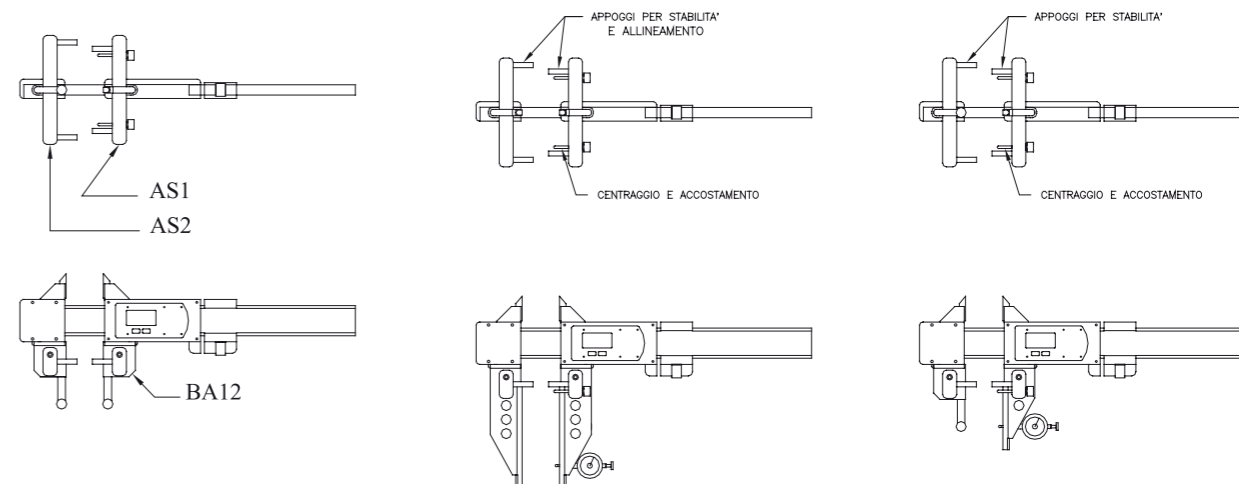
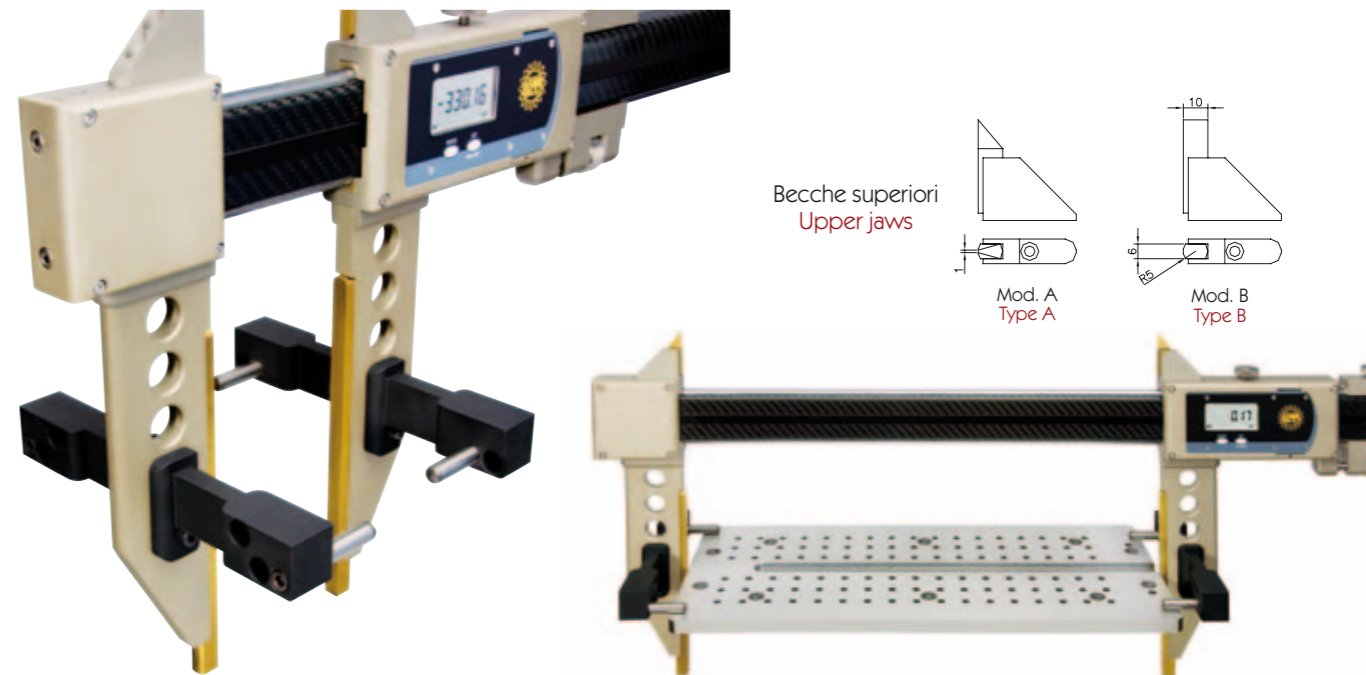
Article	Range	A	B	C	D	Bar Section	Resolution	Accuracy	Code	Kg
ZEUS DIGI FIBER 4000/200	4000	4310	297	160	200	47 X 38*	0,01	0,12	00919	5,800
ZEUS DIGI FIBER 4000/300	4000	4310	397	240	300	47 X 38*	0,01	0,12	00920	6,000

Article	Range	A	B	C	D	Bar Section	Resolution	Accuracy	Code	Kg
ZEUS DIGI FIBER 4500/200	4500	4810	297	160	200	47 X 38*	0,01	0,15	00927	6,500
ZEUS DIGI FIBER 4500/300	4500	4810	397	240	300	47 X 38*	0,01	0,15	00928	6,700

Article	Range	A	B	C	D	Bar Section	Resolution	Accuracy	Code	Kg
ZEUS DIGI FIBER 5000/200	5000	5310	297	160	200	47 X 38*	0,01	0,18	00929	7,200
ZEUS DIGI FIBER 5000/300	5000	5310	397	240	300	47 X 38*	0,01	0,18	00930	7,400

ZEUS DIGI FIBER

Accessori ed esempi di impiego
Accessories and applications



DESCRIPTION	Article	Code	Kg
APPOGGIO BECCA CORSOIO SUPPORT SLIDE JAW	AS1	30990	0,250
APPOGGIO BECCA FISSA SUPPORT FIXED JAW	AS2	30991	0,250
BECCA ADATTATRICE ADAPTATOR JAW	BA12	30992	0,120
BECCA PORTA COMPARATORE JAW FOR DIAL GAUGE	BPC	30993	0,150

