

Digital indicators

S_Dial ONE




DESCRIPTION

- Strong construction
- Water and coolant resistant, protection rating IP67 according to IEC 60529, **even connected**
- Increased accuracy to 5 µm
- Automatic switch-off





IP67

PROXIMITY

 926.6721	 926.6723
 926.5133	

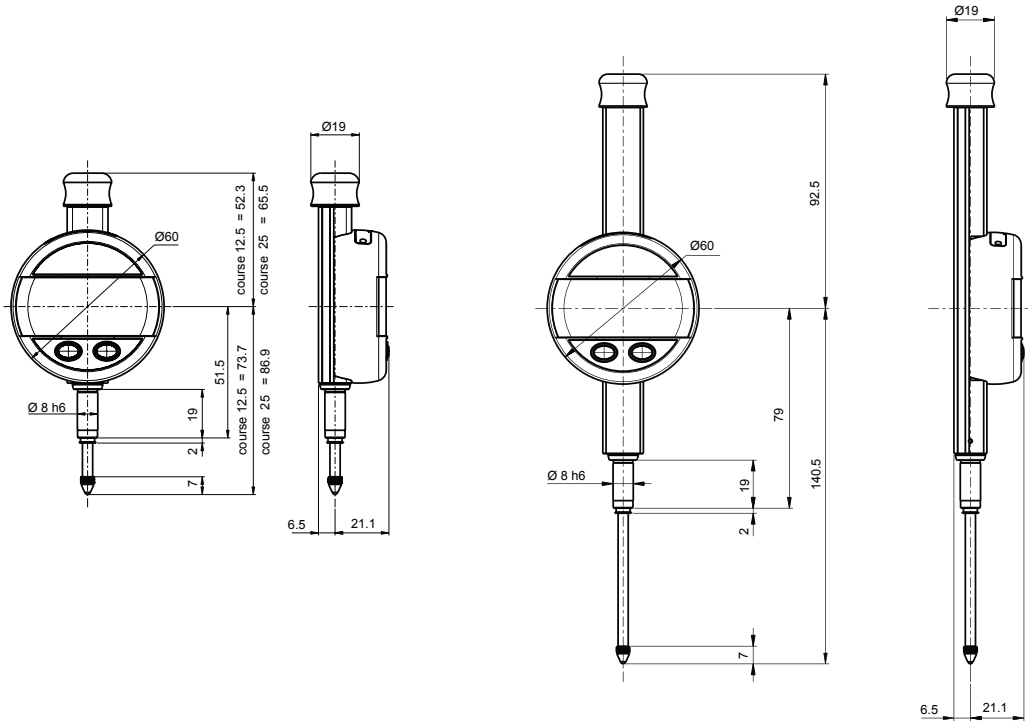
POWER

 926.6821	 905.4516
 926.5132	

Digital indicators

S_Dial ONE

DIMENSIONAL DRAWINGS



TECHNICAL SPECIFICATIONS

		905.0121	905.0131	905.0141	905.0151	905.0161	905.0171
Measuring range	mm	12.5	12.5	25	25	50	50
Resolution	mm	0.01	0.001	0.01	0.001	0.01	0.001
Max. Error fe	µm	10 ¹⁾	5	10 ¹⁾	6	20	8
Repeatability	µm	2					
S_Connect : Proximity / Power		USB / RS232 / Wireless					
Programmable by PC		●					
Zero setting		●					
Preset		max 199.000					
Selection of measuring direction		●					

¹⁾ ± 1 digit

BASIC INSTRUMENT

MEASURING FORCE

- Instrument according to technical specifications
- Lithium battery CR2032 included
- Instruction manual
- Calibration certificate for instruments 0.001 mm

		12.5	25	50
Standard	N	0.6 - 0.90	0.6 - 1.20	0.7 - 1.4

Tolerance ± 20%, spindle in outgoing measurement position.