

# TVM



## INTRODUCTION

The TVM instrument range is ideal for height measurement and scribing applications in a production facility.

Its unique design makes it very mobile, compact and extremely robust.

Thanks to an advanced low energy measuring system, its autonomy is about a year. Its ease of use allows you to minimize user training time and use it in multi-station.

Its success is absolutely unmatched in the world of the vertical column, more than 16'000 units sold.

We offer a complete range of instruments ranging from 300 mm to 600 mm, as well as accessories to meet all your needs.

---

ROBUST AND COMPACT DESIGN

---

PERFECT IN WORKSHOP ENVIRONMENT

---

ACCURATE AND RELIABLE MEASUREMENTS

---

EASY HANDLING

---

OPTO-RS232 INTERFACE





---

AUTONOMOUS USE ON BATTERY

---

TWO VARIANTS: CAST IRON OR GRANITE BASE

## DESCRIPTION

-  Heights
-  Diameters
-  Centerlines
-  Min / Max / Delta
-  2 references

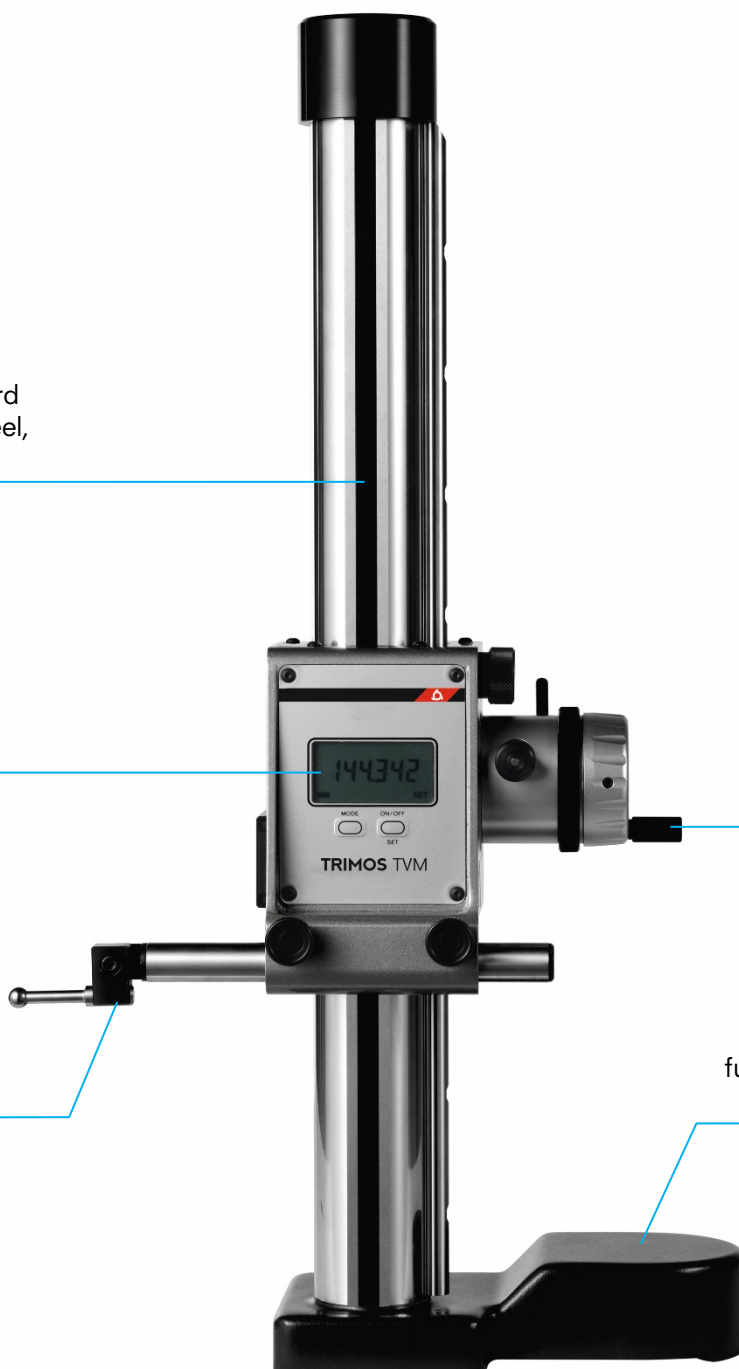
Column made of hard chromium plated steel, precision ground

Digital display

Handwheel for the displacement with fine adjustment

Interchangeables accessories

Cast iron base of functional design or granite plate (on request)



## DISPLAY/SOFTWARE

The clearly defined functions of the display unit allow to collect all height measuring values.

MIN/MAX FUNCTION INDICATOR

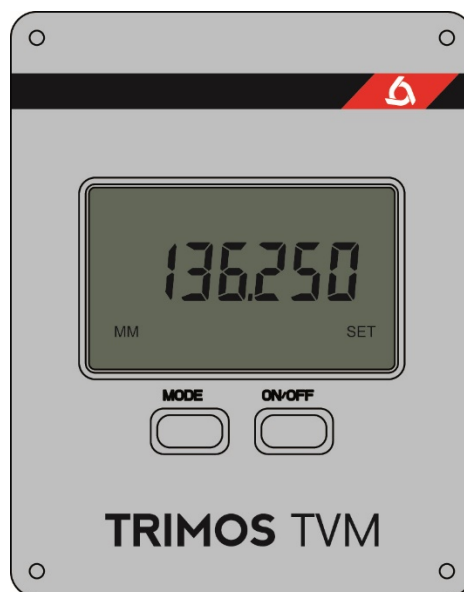
2 REFERENCES

END OF BATTERY LIFE WARNING INDICATOR

PRESET SELECTION

MEASURING UNIT (MM / IN )

TOLERANCE MODE

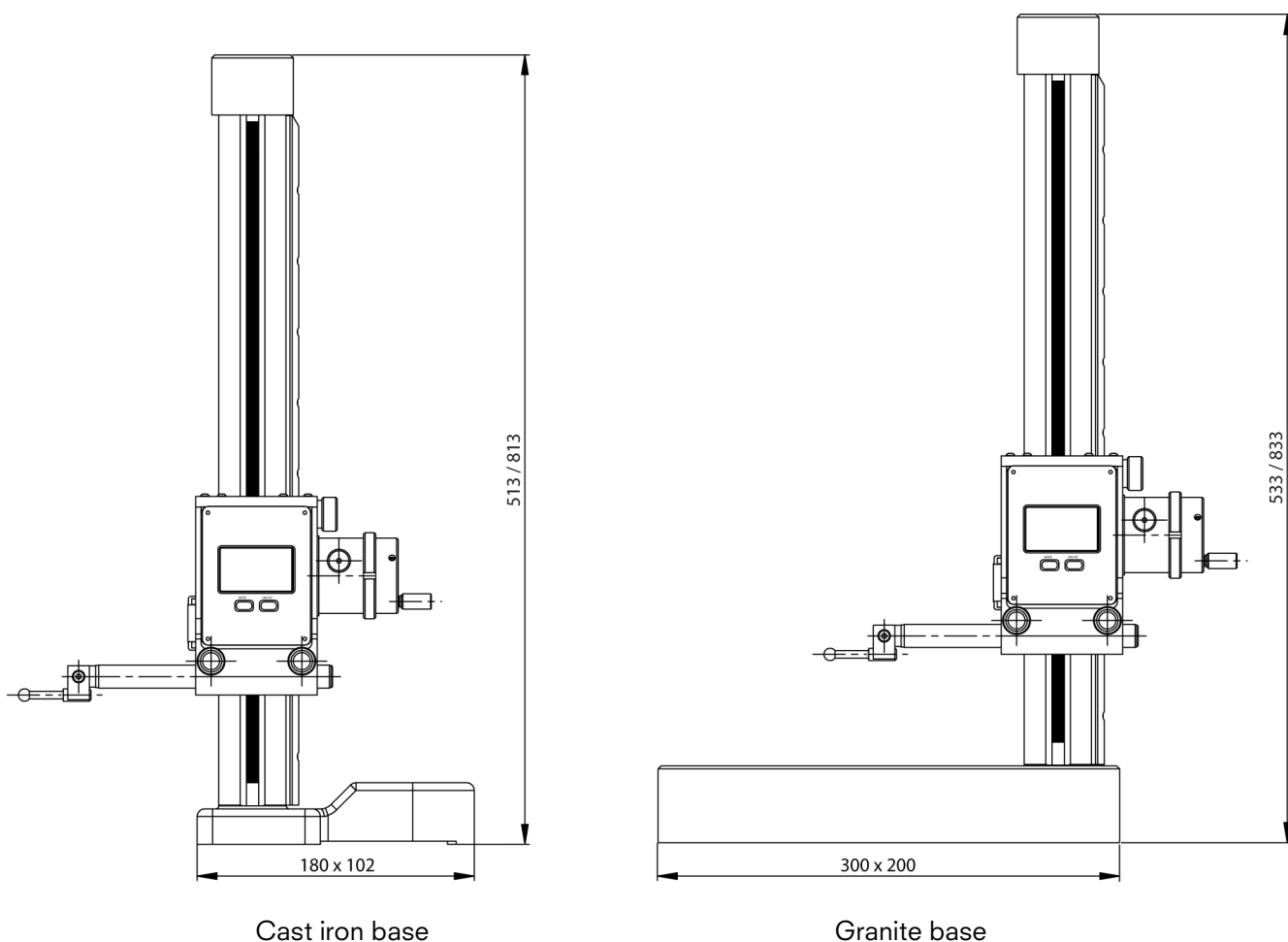


## TECHNICAL SPECIFICATIONS

TVM		304	604
Measuring range	mm (in)	320 (12)	620 (24)
Max. permissible errors <sup>1)</sup>	mm	0.02	0.03
Repeatability (2s) <sup>1)</sup>	mm	0.005	
Frontal squareness deviation	mm	0.02	0.03
Resolutions	mm (in)	0.01 / 0.001 (.0005/.00005)	
Measuring force	N	3	
Autonomy	h	2000	
Data output		Opto RS232	
Weight (cast iron base)	kg	6	10
Weight (granite base)	kg	14	18

The above values have been determined according to ISO 13225 with the standard insert (TVM1 / 1.1 / 2).

## DIAGRAM



## STANDARD INSTRUMENT

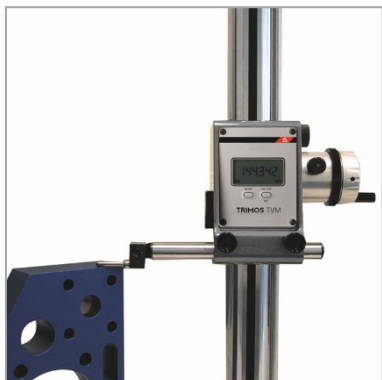
### The TVM instruments are supplied as follows

Instrument according to specifications	Protection cover (TVM.HO300/600)
Measuring insert and holder (TVM1/1.1/2)	User's manual (750 50 0018 03)
Lithium battery, 3 V (BAT-TVM.OPTO)	Calibration certificate

## ORDER NUMBERS

TVM Cast iron base		TVM Granite base		
<b>TVM304</b>	700 102 10 11	<b>TVM304G</b>	700 102 10 14	Measuring range 300 mm
<b>TVM604</b>	700 102 20 11	<b>TVM604G</b>	700 102 20 14	Measuring range 600 mm

## APPLICATIONS



Height and depth measurements (TVM1/1.1/2)



Diameter measurement with bidirectional probe (TVM4)



Centreline measurement with cones (TVM5)



Scribing (TVM1/TVM3)



Easy handling