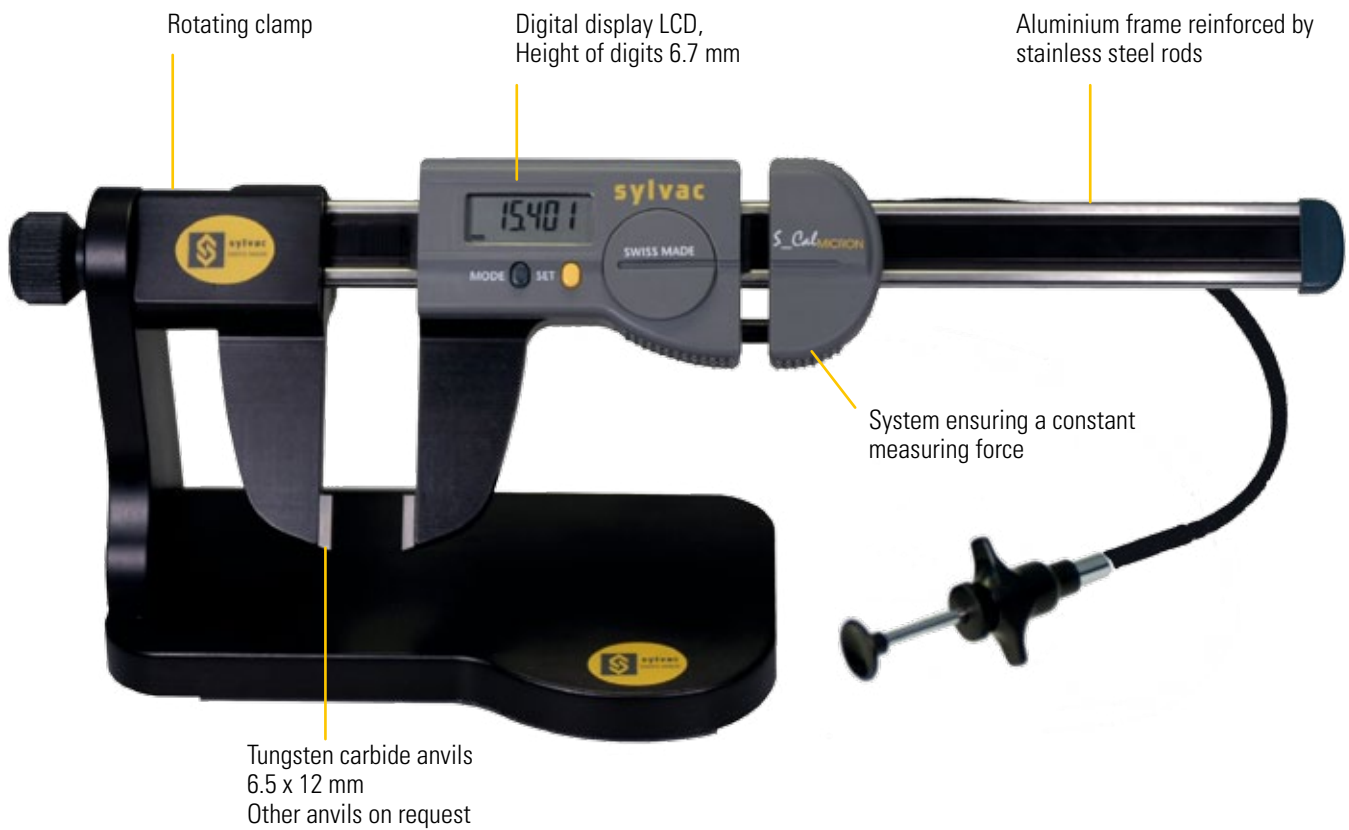


The micron caliper

S_Cal Micron

DESCRIPTION

- PRESET function
- Digital display LCD, height of digits 6.7 mm
- Constant measuring force
- Supplied with stand and photo-cable lifting device



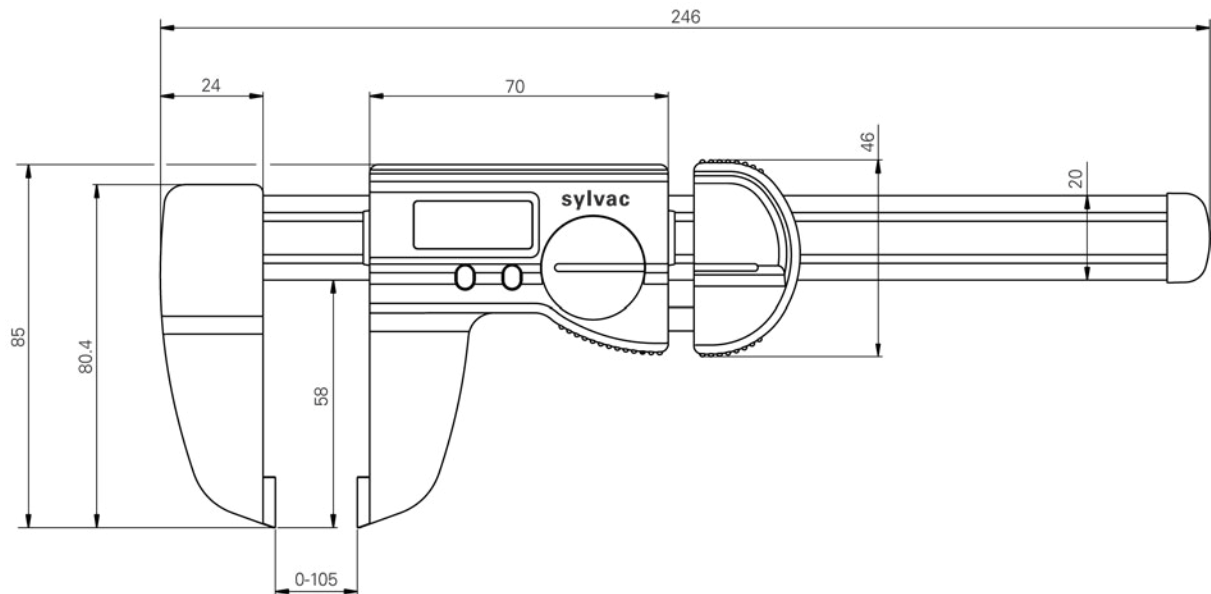
PROXIMITY



The micron caliper

S_Cal Micron

DIMENSIONAL DRAWING



TECHNICAL SPECIFICATIONS

		810.1900
Measuring range	mm	0-100
Max. Error	µm	4 ¹⁾
Repeatability	µm	2
Measuring force	N	2.5-3N
Beam	mm	5 x 20
Measuring surface	mm	6.5 x 12
S_Connect : Proximity		USB / RS232 / Digimatic / Wireless ²⁾
Tungsten carbide anvils		●
PRESET function		●
Smart Inductive Sensor		●
Stand 810.2210		●
Lifter 810.2215		●

¹⁾ ±

²⁾ see cables chapter

S_Cal + S_Cal Micron

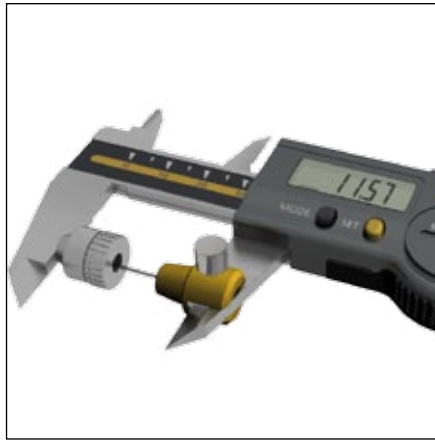
BASIC INSTRUMENT

- | | |
|--|--|
| ● Instrument according to technical specifications | ● Instrument according to technical specifications |
| ● Lithium battery CR2032 included | ● Lithium battery CR2032 included |
| ● Instruction manual | ● Instruction manual |
| | ● Calibration certificate (S_Cal Micron) |

APPLICATIONS



Depth measurement



S_Cal with kit 910.2207
Depth measurement of small internal \emptyset



S_Cal Micron
Comparison measurement