

Mini digital indicators

S_Dial S233

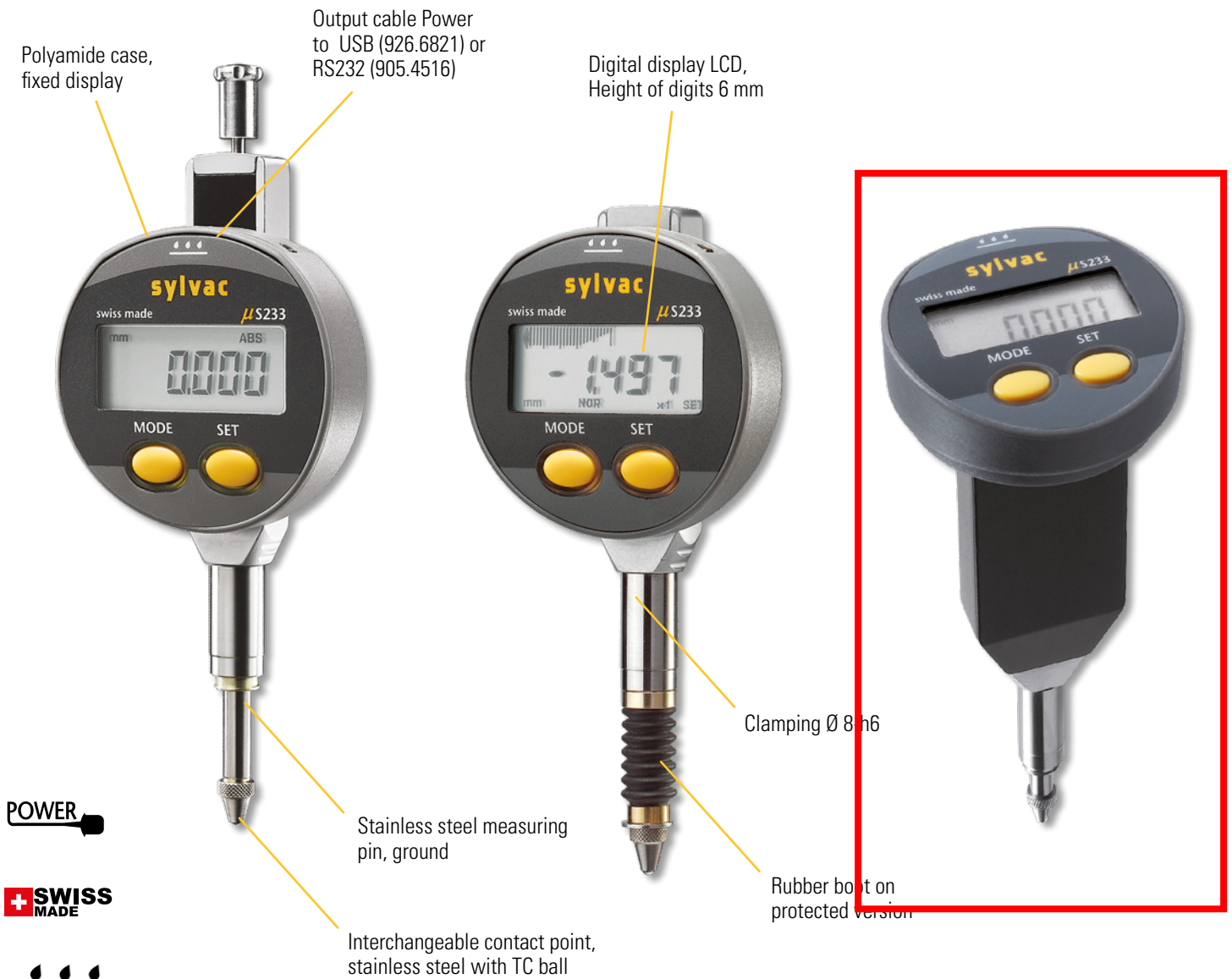
DESCRIPTION

- Compact, small diameter (Ø44 mm)
- Water and coolant resistant, protection rating IP65 according to IEC 60529
- Data output RS 232 combined with external power supply.
- Interchangeable contact point M2.5
- Clamping stem Ø 8-h6 of hardened and ground stainless steel. Dovetail back
- Automatic power shut down

Standard

Analog

Vertical



POWER

SWISS MADE

WATER RESISTANT

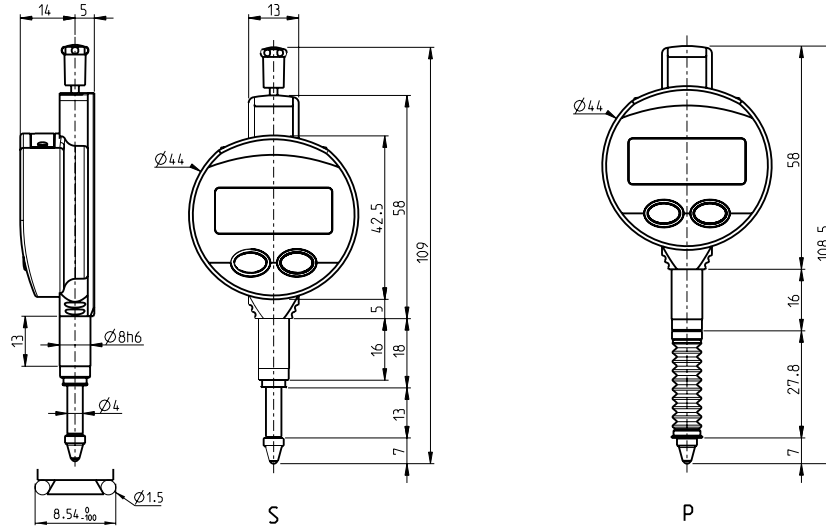
IP65

Mini digital indicators

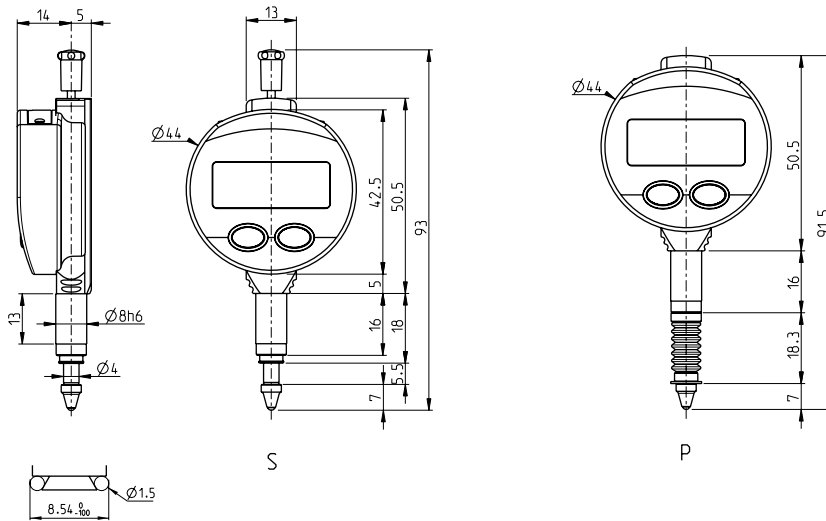
S_Dial S233

DIMENSIONAL DRAWINGS

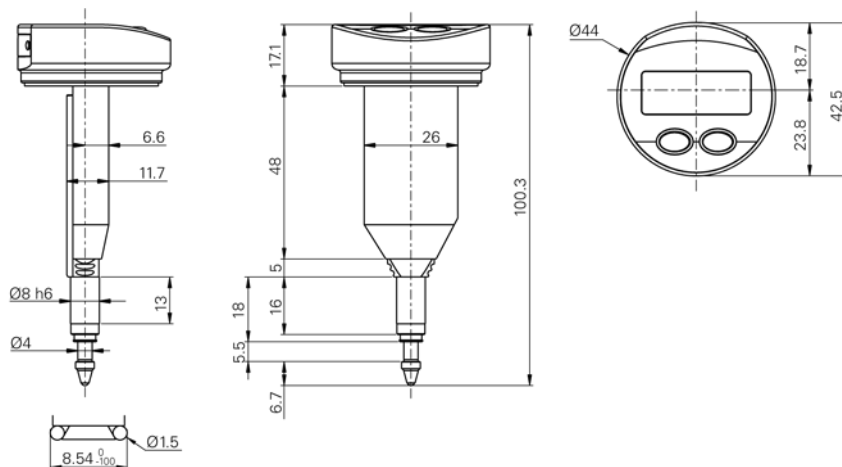
Standard



Analog



Vertical



S = standard

P = protected

Mini digital indicators

S_Dial S233

TECHNICAL SPECIFICATIONS

		905.4140	905.4540	905.4511	905.4515
Measuring range	mm	5	5	5	5
Display 90°		●	●	---	---
Analog scale		---	---	●	●
Resolution	mm	0.01	0.001	0.001	0.001
Execution ³⁾		S	S	S	P
Max. Error fe	µm	10 ¹⁾	5	4	4
Repeatability	µm	2	2	2	2
Measuring force	N	0.50 - 0.65 ²⁾	0.50 - 0.65 ²⁾	0.50 - 0.65 ²⁾	0.60 - 1.20 ²⁾
Zero setting		●	●	●	●
REL and ABS measurement		●	●	---	---
Resolution selection		---	●	●	●
PRESET = (max. 130 mm)		●	●	●	●
Min / max / delta display		---	---	●	●
Selection of measuring direction		●	●	---	---
Output data		USB / RS232 ⁴⁾			
IP rating		IP65			

		905.4121	905.4125	905.4521	905.4525	905.4527
Measuring range	mm	12.5	12.5	12.5	12.5	12.5
Analog scale		---	---	---	---	---
Resolution	mm	0.01	0.01	0.001	0.001	0.001
Execution ³⁾		S	P	S	P	S
Max. Error fe	µm	10 ¹⁾	10 ¹⁾	5	5	5
Repeatability	µm	2	2	2	2	2
Measuring force	N	0.5 - 0.90 N	0.6 - 1.3 N	0.5 - 0.90 N	0.6 - 1.3 N	0.5 - 0.90 N
Zero setting				●		
REL and ABS measurement				●		
Resolution selection		---	---	●	●	●
PRESET = (max. 130 mm)				●		
Min / max / delta display				---		
Selection of measuring direction				●		
Multiplication factor				---		●
Output data		USB / RS232 ⁴⁾				
IP rating		IP65				

¹⁾ ± 1 digit

²⁾ Values ± 20%, indicator in vertical position, outgoing measuring spindle

³⁾ S = Standard P = Protected

⁴⁾ see cables chapter

Mini digital indicators

S_Dial S233

BASIC INSTRUMENT

- Instrument according to technical specifications
- Lithium battery CR2032 included
- Instruction manual
- Calibration certificate for instruments with resolution 0.001 mm

B

MEASURING FORCE FOR RANGE 12.5 mm

	S	P
Standard	0.5 - 0.90 N	0.6 - 1.3 N
Low ¹⁾	0.35 - 0.50 N	---
High ¹⁾	1.80 - 2.3 N	---

Tolerance $\pm 20\%$, indicator in vertical position, spindle in outgoing measurement.

¹⁾ on request

APPLICATIONS



Checking of an internal \varnothing with a mechanical device



Measurement of the vertical displacement of an element



Measurement of internal chamfer