



SVL MOTOR

WWW.SVLMOTOR.COM

Hydraulic Hose Fittings





Our Business

THE QUALITY YOU CAN TRUST.

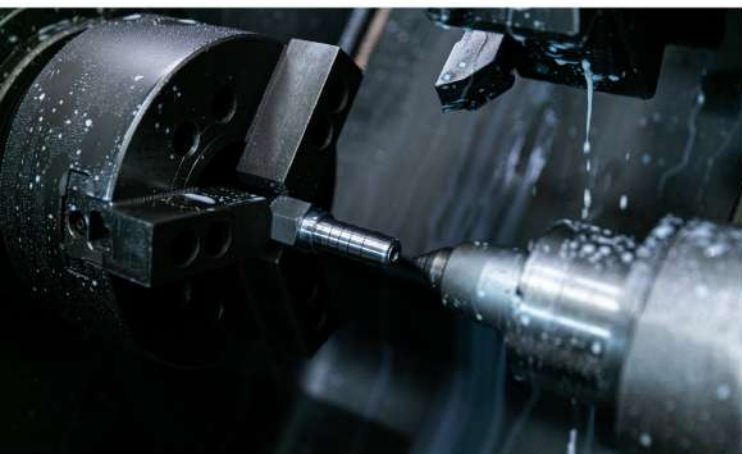
SVL MOTOR CO., LTD. was founded in 2004, have been manufacturing and distributing Hydraulic Hose Fittings and Adapter. SVL MOTOR has always been trusted by the leader companies of Hydraulic industry in the way of high quality and customer services. With the collective experiences made us become the leader of manufacturing and distributing hydraulic hose fitting, adaptor and ferrules in Thailand. SVL MOTOR highly places emphasis on product quality at reasonable price, employs modern technology and team of professional experts, inspecting production process and ensuring that all products meet high-quality universal standard.



The best quality is what we deliver

Certified Materials

We are particular about raw materials used in the production. All raw materials used have a certificate of standard reference material or Certified Reference Materials (CRMs) in order to maintain the quality of durable hydraulic hose fitting.



Reliable Machine

In the manufacturing of hydraulic hose fitting, modern machines are utilized for cutting, drilling, and turning steel on the lathe under the supervision of our expert team.

"Customers get what is best"

OUR CUSTOMER

WE'RE ATTENTIVE TO EVERY PROCESS TO BRING ONLY THE BEST



More Than 100
Companies
Guaranteed



More Than 2,000
Models in Stock



Quality Control



We aim to be a leader in hydraulic industry by developing the best product and creating sustainable value

CONTACT US

+6624053922

customerservice@svlmotor.com

www.svlmotor.com

SVL MOTOR

commits to produce quality products and bring benefit to the industry by taking care of employees like family members and Providing service with honesty and sincerity - Striving to develop products to penetrate the international markets



MALE FITTING



FLANGE



ADAPTER



FEMALE FITTING



FERRULE



**OUR
PRODUCT**



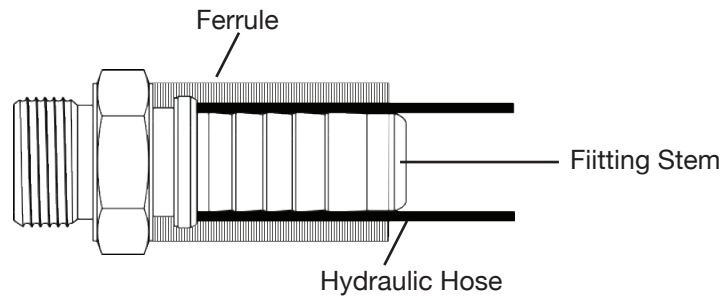
Hydraulic fittings can be found in almost every industry

Hydraulic fittings is used to connect the hydraulic hoses to components like hydraulic cylinders, pipes, tubes, or different types of hydraulic hoses in hydraulic systems.

The different types of hydraulic fittings allow the fluid to flow, change its direction, divert, or mix. These fittings should be capable of creating a tight seal and preventing leakage in the application. They are used to flow the hydraulic oil or fluid within the system. These fittings are widely used in hydraulic-powered applications including robotics, assembly lines, and heavy equipment.

Hydraulic fittings need to be strong, versatile, and reliable to operate safely and effectively in their respective applications. These fittings typically adhere to strict standards which dictate fitting construction, dimensions, and pressure ratings.

SVL Hydraulic Fittings are made from quality certificated steel material (S20C Steel, ST52) which means they are far more durable. For instance, carbon steel fittings can withstand temperatures from -53°C



Hydraulic fittings are used for piping and tubing with hydraulic hoses in the following applications

Agricultural equipment



Construction and mining equipment



Transport Equipment



Production lines



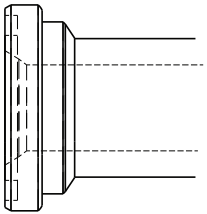
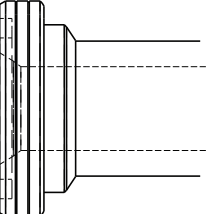
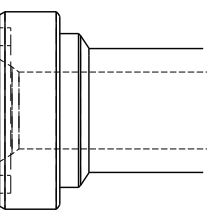
Robotics



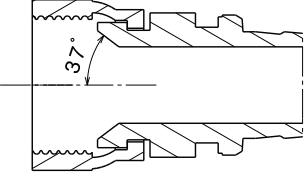
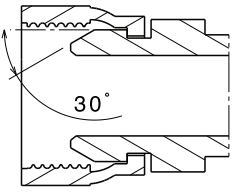
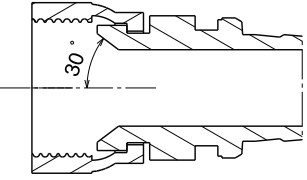
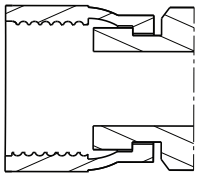
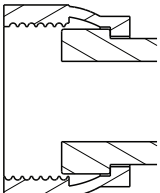
Machine Tools



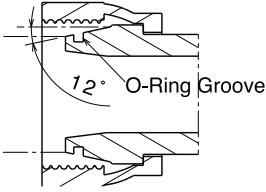
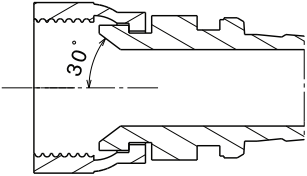
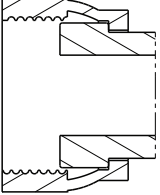
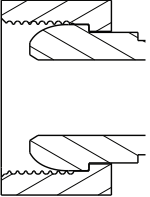
PICTORIAL INDEX

Description	Page
	<p align="center">GSA SAE Code 61 Four-Bolt Flange</p>
	<p align="center">GSAH SAE Code 62 Four-Bolt Flange</p>
	<p align="center">GSAC CATERPILLAR Style Four-Bolt Flange</p>

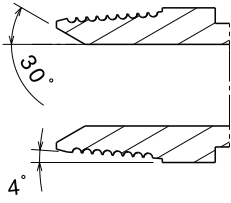
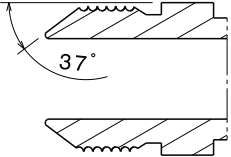
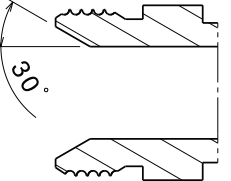
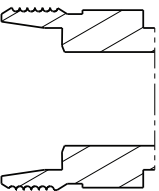
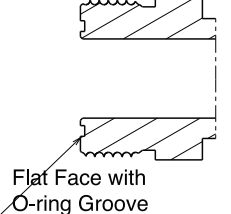
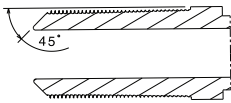
PICTORIAL INDEX

Description		Page
	<p align="center">GJS Female JIC 37° Flared Swivel</p>	<p align="center">10-12</p>
	<p align="center">GBS Female BSPP British Standard Parallel Pipe 30° CONE Swivel</p>	<p align="center">13-15</p>
	<p align="center">GBFS Female JIS 30° Flared Swivel</p>	<p align="center">16-18</p>
	<p align="center">GBSF Female BSPP Flat Face</p>	<p align="center">19-21</p>
	<p align="center">GORS Female SAE J1453 O-Ring Face Seal</p>	<p align="center">22-24</p>

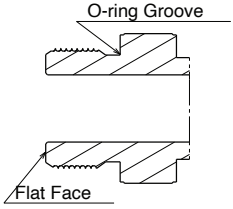
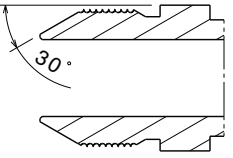
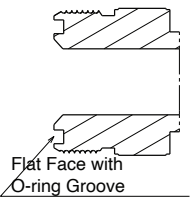
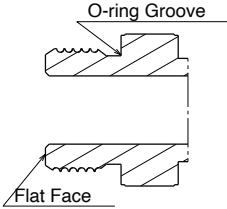
PICTORIAL INDEX

Description	Page
 <p>12° O-Ring Groove</p>	<p>MMN Female DIN 2353 Metric Tube Compression 24° O-Ring Cone</p> <p>25-30</p>
 <p>30°</p>	<p>GKS Female Komatsu Style 30 ° Flare</p> <p>31-33</p>
	<p>GKSF Female Flat Face Port with Metric Threads ISO 9974-1</p> <p>34-36</p>
	<p>GZIS Female Universal Straight Tapered Nipple for Connector with 60° Cone</p> <p>37-39</p>

PICTORIAL INDEX

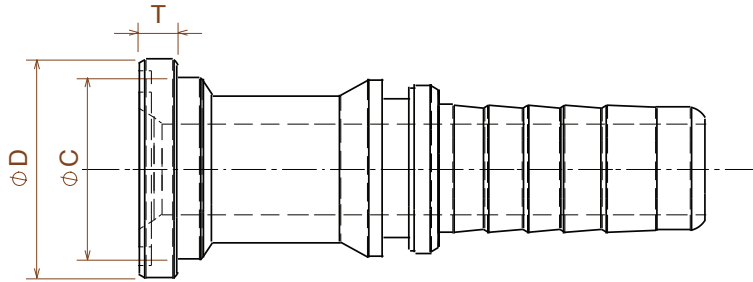
Description	Page
	<p align="center">GBMT Male British Standard Pipe Taper (BSPT)</p> <p align="center">40</p>
	<p align="center">GJM Male JIC 37° Flare (SAE JS14)</p> <p align="center">41</p>
	<p align="center">GBM Male British Standard Pipe Taper 30° Flare (BSPT)</p> <p align="center">42</p>
	<p align="center">GKC Male Kobelco Style 12° Seat</p> <p align="center">43</p>
 <p>Flat Face with O-ring Groove</p>	<p align="center">GORM Male O-Ring Face Seal (SAE J1453))</p> <p align="center">44</p>
	<p align="center">GKME Male Metric 45° Flare Extended</p> <p align="center">45</p>

PICTORIAL INDEX

Description	Page
 <p>O-ring Groove</p> <p>Flat Face</p>	<p>GKMO Male Universal Straight Taper Nipple for Connector</p> <p>46</p>
 <p>30°</p>	<p>GKM Male Komatsu Style With 30° Cone</p> <p>47</p>
 <p>Flat Face with O-ring Groove</p>	<p>GSMA Male Metric O-Ring Face Seal</p> <p>48</p>
 <p>O-ring Groove</p> <p>Flat Face</p>	<p>GBMO Male British Standard Pipe With O-Ring</p> <p>49</p>

GSA

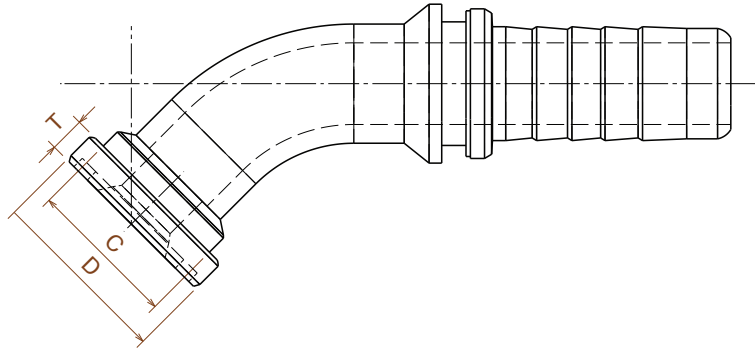
SAE Code 61 Four-Bolt Flange



Part Number	Dash number	Hose Bore		Dimension (mm)		
		inch	mm	D	C	T
GSA-0608	06	3/8	9.5	29.8	22.0	7.2
GSA-0808	08	1/2	12.7	29.8	22.0	7.2
GSA-0810	08	1/2	12.7	33.8	25.0	7.2
GSA-0812	08	1/2	12.7	37.9	30.0	7.2
GSA-0816	08	1/2	12.7	44.3	37.0	8.2
GSA-1008	10	5/8	15.9	29.8	22.0	7.2
GSA-1010	10	5/8	15.9	33.8	25.0	7.2
GSA-1012	10	5/8	15.9	37.9	30.0	7.2
GSA-1016	10	5/8	15.9	44.3	37.0	8.2
GSA-1208	12	3/4	19.1	29.8	22.0	7.2
GSA-1210	12	3/4	19.1	33.8	25.0	7.2
GSA-1212	12	3/4	19.1	37.9	30.0	7.2
GSA-1216	12	3/4	19.1	44.3	37.0	8.2
GSA-1220	12	3/4	19.1	50.6	43.0	8.2
GSA-1224	12	3/4	19.1	59.8	49.5	8.2
GSA-1612	16	1	25.4	37.9	30.0	7.2
GSA-1616	16	1	25.4	44.3	37.0	8.2
GSA-1620	16	1	25.4	50.6	43.0	8.2
GSA-1624	16	1	25.4	59.8	49.5	8.2
GSA-2016	20	1 1/4	31.8	44.3	37.0	8.2
GSA-2020	20	1 1/4	31.8	50.6	43.0	8.2
GSA-2024	20	1 1/4	31.8	59.8	49.5	8.2
GSA-2420	24	1 1/2	38.1	50.6	43.0	8.2
GSA-2424	24	1 1/2	38.1	59.8	49.5	8.2
GSA-2432	24	1 1/2	38.1	71.8	61.0	9.8
GSA-3232	32	2	50.8	71.8	61.0	9.8

GSA

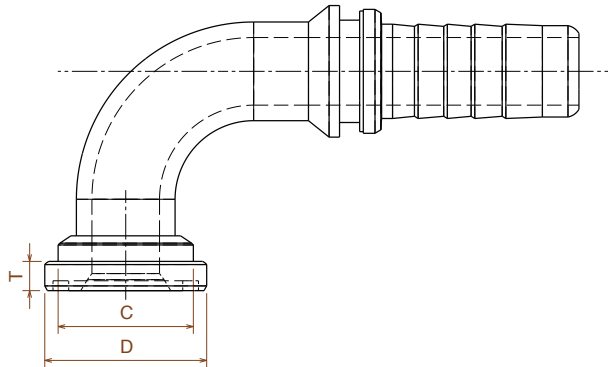
SAE Code 61 Four-Bolt Flange / 45° Elbow



Part Number	Dash number	Hose Bore		Dimension (mm)		
		inch	mm	D	C	T
GSA-0608	06	3/8	9.5	29.8	22.0	7.2
GSA-0808	08	1/2	12.7	29.8	22.0	7.2
GSA-0810	08	1/2	12.7	33.8	25.0	7.2
GSA-0812	08	1/2	12.7	37.9	30.0	7.2
GSA-0816	08	1/2	12.7	44.3	37.0	8.2
GSA-1008	10	5/8	15.9	29.8	22.0	7.2
GSA-1010	10	5/8	15.9	33.8	25.0	7.2
GSA-1012	10	5/8	15.9	37.9	30.0	7.2
GSA-1016	10	5/8	15.9	44.3	37.0	8.2
GSA-1208	12	3/4	19.1	29.8	22.0	7.2
GSA-1210	12	3/4	19.1	33.8	25.0	7.2
GSA-1212	12	3/4	19.1	37.9	30.0	7.2
GSA-1216	12	3/4	19.1	44.3	37.0	8.2
GSA-1220	12	3/4	19.1	50.6	43.0	8.2
GSA-1224	12	3/4	19.1	59.8	49.5	8.2
GSA-1612	16	1	25.4	37.9	30.0	7.2
GSA-1616	16	1	25.4	44.3	37.0	8.2
GSA-1620	16	1	25.4	50.6	43.0	8.2
GSA-1624	16	1	25.4	59.8	49.5	8.2
GSA-2016	20	1 1/4	31.8	44.3	37.0	8.2
GSA-2020	20	1 1/4	31.8	50.6	43.0	8.2
GSA-2024	20	1 1/4	31.8	59.8	49.5	8.2
GSA-2420	24	1 1/2	38.1	50.6	43.0	8.2
GSA-2424	24	1 1/2	38.1	59.8	49.5	8.2
GSA-2432	24	1 1/2	38.1	71.8	61.0	9.8
GSA-3232	32	2	50.8	71.8	61.0	9.8

GSA

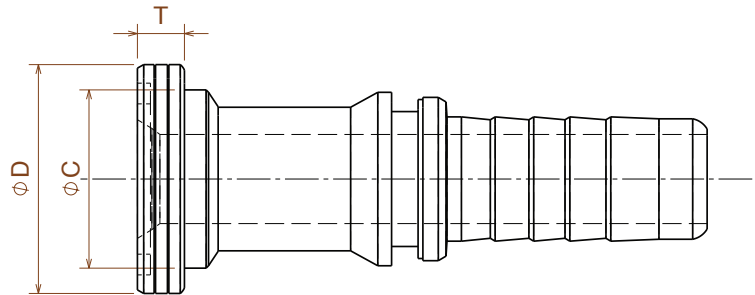
SAE Code 61 Four-Bolt Flange / 90° Elbow



Part Number	Dash number	Hose Bore		Dimension (mm)		
		inch	mm	D	C	T
GSA-0608	06	3/8	9.5	29.8	22.0	7.2
GSA-0808	08	1/2	12.7	29.8	22.0	7.2
GSA-0810	08	1/2	12.7	33.8	25.0	7.2
GSA-0812	08	1/2	12.7	37.9	30.0	7.2
GSA-0816	08	1/2	12.7	44.3	37.0	8.2
GSA-1008	10	5/8	15.9	29.8	22.0	7.2
GSA-1010	10	5/8	15.9	33.8	25.0	7.2
GSA-1012	10	5/8	15.9	37.9	30.0	7.2
GSA-1016	10	5/8	15.9	44.3	37.0	8.2
GSA-1208	12	3/4	19.1	29.8	22.0	7.2
GSA-1210	12	3/4	19.1	33.8	25.0	7.2
GSA-1212	12	3/4	19.1	37.9	30.0	7.2
GSA-1216	12	3/4	19.1	44.3	37.0	8.2
GSA-1220	12	3/4	19.1	50.6	43.0	8.2
GSA-1224	12	3/4	19.1	59.8	49.5	8.2
GSA-1612	16	1	25.4	37.9	30.0	7.2
GSA-1616	16	1	25.4	44.3	37.0	8.2
GSA-1620	16	1	25.4	50.6	43.0	8.2
GSA-1624	16	1	25.4	59.8	49.5	8.2
GSA-2016	20	1 1/4	31.8	44.3	37.0	8.2
GSA-2020	20	1 1/4	31.8	50.6	43.0	8.2
GSA-2024	20	1 1/4	31.8	59.8	49.5	8.2
GSA-2420	24	1 1/2	38.1	50.6	43.0	8.2
GSA-2424	24	1 1/2	38.1	59.8	49.5	8.2
GSA-2432	24	1 1/2	38.1	71.8	61.0	9.8
GSA-3232	32	2	50.8	71.8	61.0	9.8

GSAH

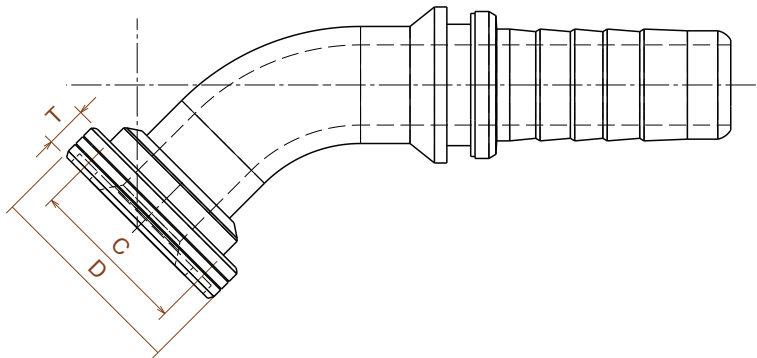
SAE Code 62 Four-Bolt Flange



Part Number	Dash number	Hose Bore		Dimension (mm)		
		inch	mm	D	C	T
GSAH-0808	08	1/2	12.7	31.6	17.8	8.2
GSAH-0812	08	1/2	12.7	41.0	30.8	9.0
GSAH-1008	10	5/8	15.9	31.6	17.8	8.2
GSAH-1012	10	5/8	15.9	41.0	30.8	9.0
GSAH-1016	10	5/8	15.9	47.5	37.0	9.6
GSAH-1212	12	3/4	19.1	41.0	30.8	9.0
GSAH-1216	12	3/4	19.1	47.5	37.0	9.6
GSAH-1220	12	3/4	19.1	53.7	43.0	10.2
GSAH-1612	16	1	25.4	41.0	30.8	9.0
GSAH-1616	16	1	25.4	47.5	37.0	9.6
GSAH-1620	16	1	25.4	53.7	43.0	10.2
GSAH-1624	16	1	25.4	63.3	49.3	13.0
GSAH-2016	20	1 1/4	31.8	47.5	37.0	9.6
GSAH-2020	20	1 1/4	31.8	53.7	43.0	10.2
GSAH-2024	20	1 1/4	31.8	63.3	49.3	13.0
GSAH-2420	24	1 1/2	38.1	53.7	43.0	10.2
GSAH-2424	24	1 1/2	38.1	63.3	49.3	13.0
GSAH-2432	24	1 1/2	38.1	79.3	62.0	13.0
GSAH-3224	32	2	50.8	63.3	49.3	13.0
GSAH-3232	32	2	50.8	79.3	62.0	13.0

GSAH

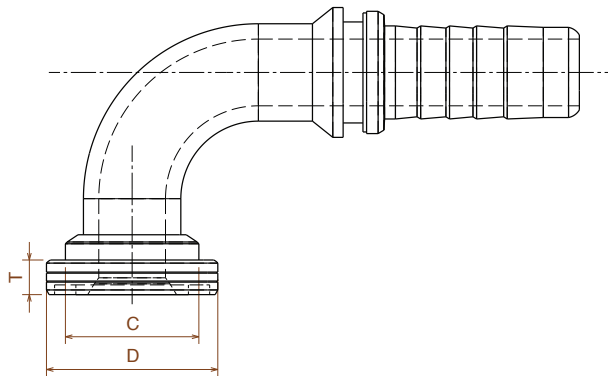
SAE Code 62 Four-Bolt Flange
/ 45° Elbow



Part Number	Dash number	Hose Bore		Dimension (mm)		
		inch	mm	D	C	T
GSAH-0808	08	1/2	12.7	31.6	17.8	8.2
GSAH-0812	08	1/2	12.7	41.0	30.8	9.0
GSAH-1008	10	5/8	15.9	31.6	17.8	8.2
GSAH-1012	10	5/8	15.9	41.0	30.8	9.0
GSAH-1016	10	5/8	15.9	47.5	37.0	9.6
GSAH-1212	12	3/4	19.1	41.0	30.8	9.0
GSAH-1216	12	3/4	19.1	47.5	37.0	9.6
GSAH-1220	12	3/4	19.1	53.7	43.0	10.2
GSAH-1612	16	1	25.4	41.0	30.8	9.0
GSAH-1616	16	1	25.4	47.5	37.0	9.6
GSAH-1620	16	1	25.4	53.7	43.0	10.2
GSAH-1624	16	1	25.4	63.3	49.3	13.0
GSAH-2016	20	1 1/4	31.8	47.5	37.0	9.6
GSAH-2020	20	1 1/4	31.8	53.7	43.0	10.2
GSAH-2024	20	1 1/4	31.8	63.3	49.3	13.0
GSAH-2420	24	1 1/2	38.1	53.7	43.0	10.2
GSAH-2424	24	1 1/2	38.1	63.3	49.3	13.0
GSAH-2432	24	1 1/2	38.1	79.3	62.0	13.0
GSAH-3224	32	2	50.8	63.3	49.3	13.0
GSAH-3232	32	2	50.8	79.3	62.0	13.0

GSAH

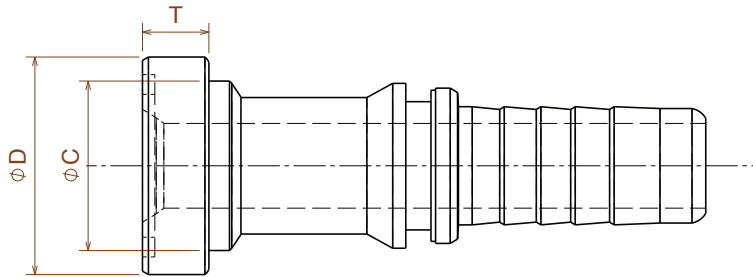
SAE Code 62 Four-Bolt Flange
/ 90° Elbow



Part Number	Dash number	Hose Bore		Dimension (mm)		
		inch	mm	D	C	T
GSAH-0808	08	1/2	12.7	31.6	17.8	8.2
GSAH-0812	08	1/2	12.7	41.0	30.8	9.0
GSAH-1008	10	5/8	15.9	31.6	17.8	8.2
GSAH-1012	10	5/8	15.9	41.0	30.8	9.0
GSAH-1016	10	5/8	15.9	47.5	37.0	9.6
GSAH-1212	12	3/4	19.1	41.0	30.8	9.0
GSAH-1216	12	3/4	19.1	47.5	37.0	9.6
GSAH-1220	12	3/4	19.1	53.7	43.0	10.2
GSAH-1612	16	1	25.4	41.0	30.8	9.0
GSAH-1616	16	1	25.4	47.5	37.0	9.6
GSAH-1620	16	1	25.4	53.7	43.0	10.2
GSAH-1624	16	1	25.4	63.3	49.3	13.0
GSAH-2016	20	1 1/4	31.8	47.5	37.0	9.6
GSAH-2020	20	1 1/4	31.8	53.7	43.0	10.2
GSAH-2024	20	1 1/4	31.8	63.3	49.3	13.0
GSAH-2420	24	1 1/2	38.1	53.7	43.0	10.2
GSAH-2424	24	1 1/2	38.1	63.3	49.3	13.0
GSAH-2432	24	1 1/2	38.1	79.3	62.0	13.0
GSAH-3224	32	2	50.8	63.3	49.3	13.0
GSAH-3232	32	2	50.8	79.3	62.0	13.0

GSAC

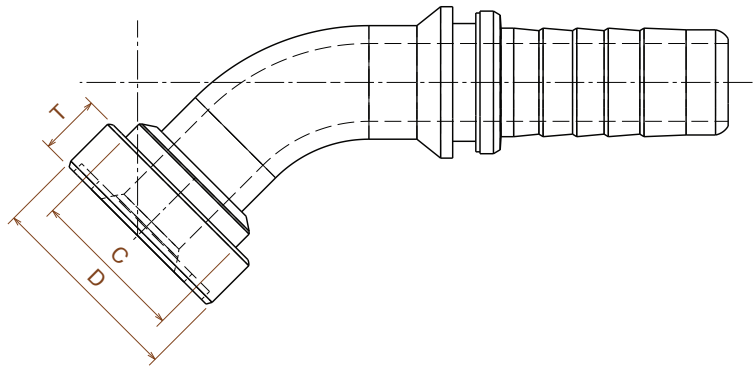
CATERPILLAR Style Four-Bolt Flange



Part Number	Dash number	Hose Bore		Dimension (mm)		
		inch	mm	D	C	T
GSAC-1012	10	5/8	15.9	41.0	30.0	14.5
GSAC-1016	10	5/8	15.9	47.4	36.0	14.5
GSAC-1212	12	3/4	19.1	41.0	30.0	14.5
GSAC-1216	12	3/4	19.1	47.4	36.5	14.5
GSAC-1612	16	1	25.4	41.0	30.5	14.5
GSAC-1616	16	1	25.4	47.4	36.8	14.5
GSAC-1620	16	1	25.4	53.7	41.5	14.5
GSAC-2016	20	1 1/4	31.8	47.4	37.0	14.5
GSAC-2020	20	1 1/4	31.8	53.7	42.5	14.5
GSAC-2024	20	1 1/4	31.8	63.3	49.3	14.5
GSAC-2420	24	1 1/2	38.1	53.7	43.0	14.5
GSAC-2424	24	1 1/2	38.1	63.3	49.3	14.5

GSAC

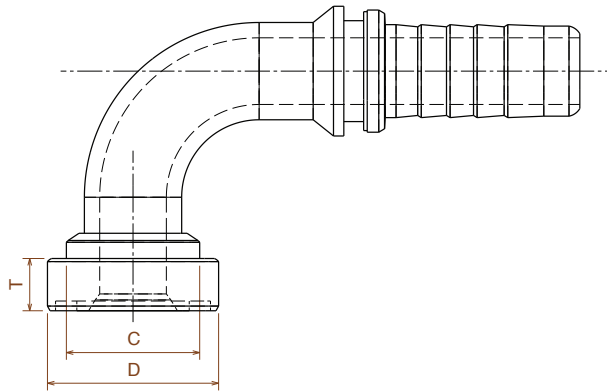
CATERPILLAR Style Four-Bolt Flange / 45° Elbow



Part Number	Dash number	Hose Bore		Dimension (mm)		
		inch	mm	D	C	T
GSAC-1012	10	5/8	15.9	41.0	30.0	14.5
GSAC-1016	10	5/8	15.9	47.4	36.0	14.5
GSAC-1212	12	3/4	19.1	41.0	30.0	14.5
GSAC-1216	12	3/4	19.1	47.4	36.5	14.5
GSAC-1612	16	1	25.4	41.0	30.5	14.5
GSAC-1616	16	1	25.4	47.4	36.8	14.5
GSAC-1620	16	1	25.4	53.7	41.5	14.5
GSAC-2016	20	1 1/4	31.8	47.4	37.0	14.5
GSAC-2020	20	1 1/4	31.8	53.7	42.5	14.5
GSAC-2024	20	1 1/4	31.8	63.3	49.3	14.5
GSAC-2420	24	1 1/2	38.1	53.7	43.0	14.5
GSAC-2424	24	1 1/2	38.1	63.3	49.3	14.5

GSAC

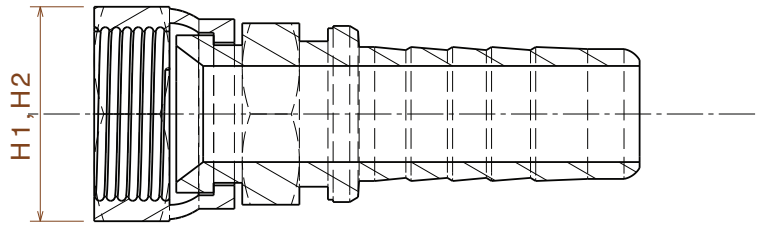
CATERPILLAR Style Four-Bolt Flange / 90° Elbow



Part Number	Dash number	Hose Bore		Dimension (mm)		
		inch	mm	D	C	T
GSAC-1012	10	5/8	15.9	41.0	30.0	14.5
GSAC-1016	10	5/8	15.9	47.4	36.0	14.5
GSAC-1212	12	3/4	19.1	41.0	30.0	14.5
GSAC-1216	12	3/4	19.1	47.4	36.5	14.5
GSAC-1612	16	1	25.4	41.0	30.5	14.5
GSAC-1616	16	1	25.4	47.4	36.8	14.5
GSAC-1620	16	1	25.4	53.7	41.5	14.5
GSAC-2016	20	1 1/4	31.8	47.4	37.0	14.5
GSAC-2020	20	1 1/4	31.8	53.7	42.5	14.5
GSAC-2024	20	1 1/4	31.8	63.3	49.3	14.5
GSAC-2420	24	1 1/2	38.1	53.7	43.0	14.5
GSAC-2424	24	1 1/2	38.1	63.3	49.3	14.5

GJS

Female JIC 37° Flared Swivel

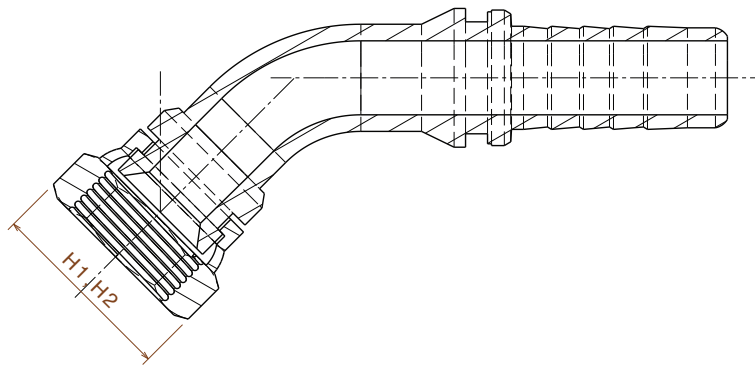


Part Number	Dash number	Hose Bore		Thread	Thread I.D. (mm)	Dimension	
		inch	mm			H1	H2
GJS-0404	04	1/4	6.4	7/16" - 20 UNF	10.3	16	
GJS-0406	04	1/4	6.4	9/16" - 18 UNF	13.5	17	19
GJS-0606	06	3/8	9.5	9/16" - 18 UNF	13.5	17	19
GJS-0608	06	3/8	9.5	3/4" - 16 UNF	17.5	24	25.4
GJS-0808	08	1/2	12.7	3/4" - 16 UNF	17.5	24	25.4
GJS-0810	08	1/2	12.7	7/8" - 14 UNF	20.6	27	28.5
GJS-1010	10	5/8	15.9	7/8" - 14 UNF	20.6	27	28.5
GJS-1012	10	5/8	15.9	1 1/16" - 12 UNF	25.4	32	35
GJS-1212	12	3/4	19.1	1 1/16" - 12 UNF	25.4	32	35
GJS-1216	12	3/4	19.1	1 5/16" - 12 UNF	31.8	38	41
GJS-1616	16	1	25.4	1 5/16" - 12 UNF	31.8	38	41
GJS-1620	16	1	25.4	1 5/8" - 12 UNF	39.7	51	
GJS-2020	20	1 1/4	31.8	1 5/8" - 12 UNF	39.7	51	
GJS-2024	20	1 1/4	31.8	1 7/8" - 12 UNF	46.0	57	
GJS-2424	24	1 1/2	38.1	1 7/8" - 12 UNF	46.0	57	
GJS-2432	24	1 1/2	38.1	2 1/2" - 12 UNF	61.9	75	
GJS-3232	32	2	50.8	2 1/2" - 12 UNF	61.9	75	

REMARK: There are 2 size of hexagon nuts (H1 or H2) to choose from.

GJS

Female JIC 37° Flared Swivel / 45° Elbow

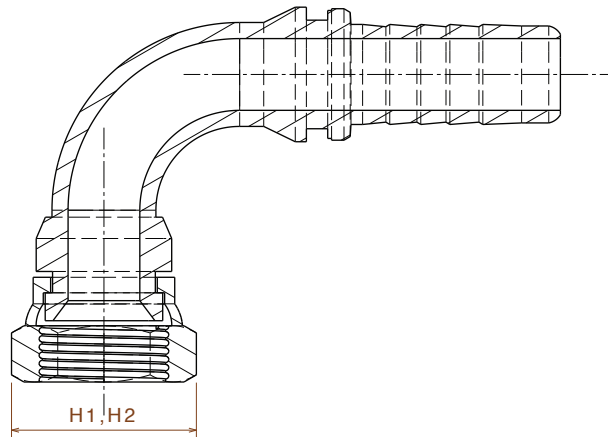


Part Number	Dash number	Hose Bore		Thread	Thread I.D. (mm)	Dimension	
		inch	mm			H1	H2
GJS-0404	04	1/4	6.4	7/16" - 20 UNF	10.3	16	
GJS-0406	04	1/4	6.4	9/16" - 18 UNF	13.5	17	19
GJS-0606	06	3/8	9.5	9/16" - 18 UNF	13.5	17	19
GJS-0608	06	3/8	9.5	3/4" - 16 UNF	17.5	24	25.4
GJS-0808	08	1/2	12.7	3/4" - 16 UNF	17.5	24	25.4
GJS-0810	08	1/2	12.7	7/8" - 14 UNF	20.6	27	28.5
GJS-1010	10	5/8	15.9	7/8" - 14 UNF	20.6	27	28.5
GJS-1012	10	5/8	15.9	1 1/16" - 12 UNF	25.4	32	35
GJS-1212	12	3/4	19.1	1 1/16" - 12 UNF	25.4	32	35
GJS-1216	12	3/4	19.1	1 5/16" - 12 UNF	31.8	38	41
GJS-1616	16	1	25.4	1 5/16" - 12 UNF	31.8	38	41
GJS-1620	16	1	25.4	1 5/8" - 12 UNF	39.7	51	
GJS-2020	20	1 1/4	31.8	1 5/8" - 12 UNF	39.7	51	
GJS-2024	20	1 1/4	31.8	1 7/8" - 12 UNF	46.0	57	
GJS-2424	24	1 1/2	38.1	1 7/8" - 12 UNF	46.0	57	
GJS-2432	24	1 1/2	38.1	2 1/2" - 12 UNF	61.9	75	
GJS-3232	32	2	50.8	2 1/2" - 12 UNF	61.9	75	

REMARK: There are 2 size of hexagon nuts (H1 or H2) to choose from.

GJS

Female JIC 37° Flared Swivel / 90° Elbow

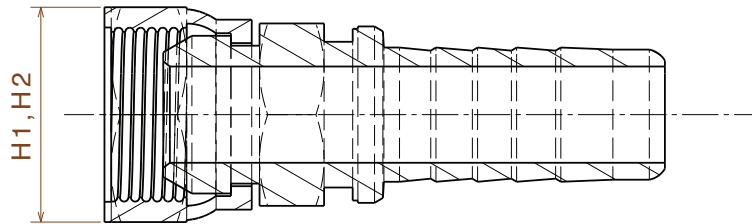


Part Number	Dash number	Hose Bore		Thread	Thread I.D. (mm)	Dimension	
		inch	mm			H1	H2
GJS-0404	04	1/4	6.4	7/16" - 20 UNF	10.3	16	
GJS-0406	04	1/4	6.4	9/16" - 18 UNF	13.5	17	19
GJS-0606	06	3/8	9.5	9/16" - 18 UNF	13.5	17	19
GJS-0608	06	3/8	9.5	3/4" - 16 UNF	17.5	24	25.4
GJS-0808	08	1/2	12.7	3/4" - 16 UNF	17.5	24	25.4
GJS-0810	08	1/2	12.7	7/8" - 14 UNF	20.6	27	28.5
GJS-1010	10	5/8	15.9	7/8" - 14 UNF	20.6	27	28.5
GJS-1012	10	5/8	15.9	1 1/16" - 12 UNF	25.4	32	35
GJS-1212	12	3/4	19.1	1 1/16" - 12 UNF	25.4	32	35
GJS-1216	12	3/4	19.1	1 5/16" - 12 UNF	31.8	38	41
GJS-1616	16	1	25.4	1 5/16" - 12 UNF	31.8	38	41
GJS-1620	16	1	25.4	1 5/8" - 12 UNF	39.7	51	
GJS-2020	20	1 1/4	31.8	1 5/8" - 12 UNF	39.7	51	
GJS-2024	20	1 1/4	31.8	1 7/8" - 12 UNF	46.0	57	
GJS-2424	24	1 1/2	38.1	1 7/8" - 12 UNF	46.0	57	
GJS-2432	24	1 1/2	38.1	2 1/2" - 12 UNF	61.9	75	
GJS-3232	32	2	50.8	2 1/2" - 12 UNF	61.9	75	

REMARK: There are 2 size of hexagon nuts (H1 or H2) to choose from.

GBS

Female BSPP British Standard Parallel Pipe 30° CONE Swivel

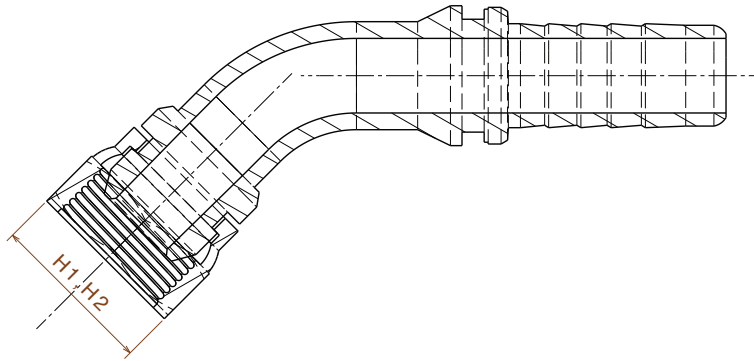


Part Number	Dash number	Hose Bore		Thread	Thread I.D. (mm)	Dimension	
		inch	mm			H1	H2
GBS-0404	04	1/4	6.4	1/4" - 19 BSPP	11.9	19	
GBS-0406	04	1/4	6.4	3/8" - 19 BSPP	15.1	22	
GBS-0606	06	3/8	9.5	3/8" - 19 BSPP	15.1	22	
GBS-0608	06	3/8	9.5	1/2" - 14 BSPP	19.1	27	
GBS-0808	08	1/2	12.7	1/2" - 14 BSPP	19.1	27	
GBS-0810	08	1/2	12.7	5/8" - 14 BSPP	20.6	28.5	
GBS-1010	10	5/8	15.9	5/8" - 14 BSPP	20.6	28.5	
GBS-1012	10	5/8	15.9	3/4" - 14 BSPP	24.6	35	32
GBS-1212	12	3/4	19.1	3/4" - 14 BSPP	24.6	35	32
GBS-1216	12	3/4	19.1	1" - 11 BSPP	31.0	41	
GBS-1616	16	1	25.4	1" - 11 BSPP	31.0	41	
GBS-1620	16	1	25.4	1 1/4" - 11 BSPP	39.7	51	
GBS-2020	20	1 1/4	31.8	1 1/4" - 11 BSPP	39.7	51	
GBS-2024	20	1 1/4	31.8	1 1/2" - 11 BSPP	45.2	57	
GBS-2424	24	1 1/2	38.1	1 1/2" - 11 BSPP	45.2	57	
GBS-2432	24	1 1/2	38.1	2" - 11 BSPP	57.2	74.5	
GBS-3232	32	2	50.8	2" - 11 BSPP	57.2	74.5	

REMARK: There are 2 size of hexagon nuts (H1 or H2) to choose from.

GBS

Female BSPP British Standard Parallel Pipe 30° CONE Swivel / 45° Elbow

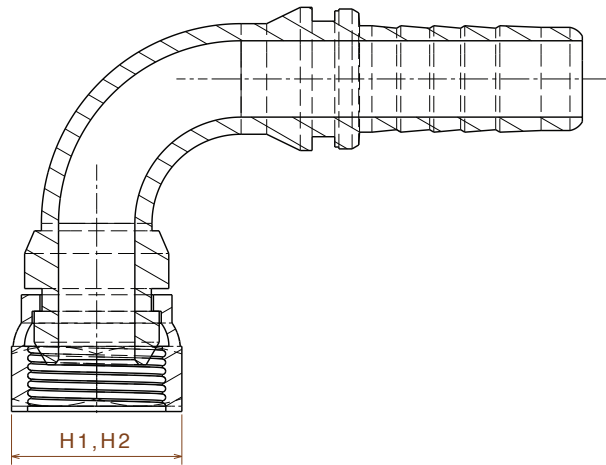


Part Number	Dash number	Hose Bore		Thread	Thread I.D. (mm)	Dimension	
		inch	mm			H1	H2
GBS-0404	04	1/4	6.4	1/4" - 19 BSPP	11.9	19	
GBS-0406	04	1/4	6.4	3/8" - 19 BSPP	15.1	22	
GBS-0606	06	3/8	9.5	3/8" - 19 BSPP	15.1	22	
GBS-0608	06	3/8	9.5	1/2" - 14 BSPP	19.1	27	
GBS-0808	08	1/2	12.7	1/2" - 14 BSPP	19.1	27	
GBS-0810	08	1/2	12.7	5/8" - 14 BSPP	20.6	28.5	
GBS-1010	10	5/8	15.9	5/8" - 14 BSPP	20.6	28.5	
GBS-1012	10	5/8	15.9	3/4" - 14 BSPP	24.6	35	32
GBS-1212	12	3/4	19.1	3/4" - 14 BSPP	24.6	35	32
GBS-1216	12	3/4	19.1	1" - 11 BSPP	31.0	41	
GBS-1616	16	1	25.4	1" - 11 BSPP	31.0	41	
GBS-1620	16	1	25.4	1 1/4" - 11 BSPP	39.7	51	
GBS-2020	20	1 1/4	31.8	1 1/4" - 11 BSPP	39.7	51	
GBS-2024	20	1 1/4	31.8	1 1/2" - 11 BSPP	45.2	57	
GBS-2424	24	1 1/2	38.1	1 1/2" - 11 BSPP	45.2	57	
GBS-2432	24	1 1/2	38.1	2" - 11 BSPP	57.2	74.5	
GBS-3232	32	2	50.8	2" - 11 BSPP	57.2	74.5	

REMARK: There are 2 size of hexagon nuts (H1 or H2) to choose from.

GBS

Female BSPP British Standard Parallel Pipe 30° CONE Swivel / 90° Elbow

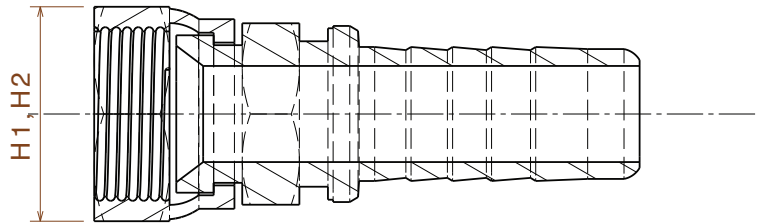


Part Number	Dash number	Hose Bore		Thread	Thread I.D. (mm)	Dimension	
		inch	mm			H1	H2
GBS-0404	04	1/4	6.4	1/4" - 19 BSPP	11.9	19	
GBS-0406	04	1/4	6.4	3/8" - 19 BSPP	15.1	22	
GBS-0606	06	3/8	9.5	3/8" - 19 BSPP	15.1	22	
GBS-0608	06	3/8	9.5	1/2" - 14 BSPP	19.1	27	
GBS-0808	08	1/2	12.7	1/2" - 14 BSPP	19.1	27	
GBS-0810	08	1/2	12.7	5/8" - 14 BSPP	20.6	28.5	
GBS-1010	10	5/8	15.9	5/8" - 14 BSPP	20.6	28.5	
GBS-1012	10	5/8	15.9	3/4" - 14 BSPP	24.6	35	32
GBS-1212	12	3/4	19.1	3/4" - 14 BSPP	24.6	35	32
GBS-1216	12	3/4	19.1	1" - 11 BSPP	31.0	41	
GBS-1616	16	1	25.4	1" - 11 BSPP	31.0	41	
GBS-1620	16	1	25.4	1 1/4" - 11 BSPP	39.7	51	
GBS-2020	20	1 1/4	31.8	1 1/4" - 11 BSPP	39.7	51	
GBS-2024	20	1 1/4	31.8	1 1/2" - 11 BSPP	45.2	57	
GBS-2424	24	1 1/2	38.1	1 1/2" - 11 BSPP	45.2	57	
GBS-2432	24	1 1/2	38.1	2" - 11 BSPP	57.2	74.5	
GBS-3232	32	2	50.8	2" - 11 BSPP	57.2	74.5	

REMARK: There are 2 size of hexagon nuts (H1 or H2) to choose from.

GBFS

Female JIS 30° Flared Swivel

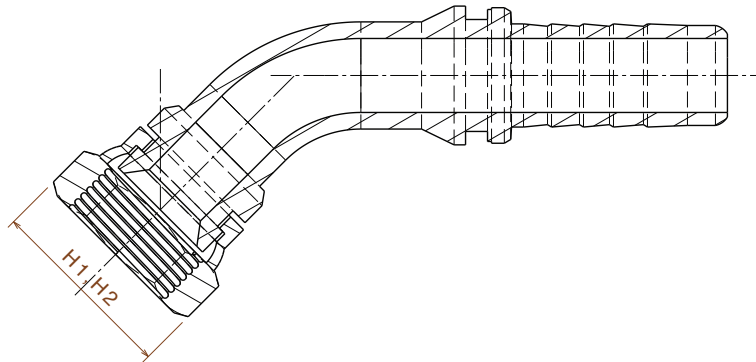


Part Number	Dash number	Hose Bore		Thread	Thread I.D. (mm)	Dimension	
		inch	mm			H1	H2
GBFS-0404	04	1/4	6.4	1/4" - 19 BSPP	11.9	19	
GBFS-0406	04	1/4	6.4	3/8" - 19 BSPP	15.1	22	
GBFS-0606	06	3/8	9.5	3/8" - 19 BSPP	15.1	22	
GBFS-0608	06	3/8	9.5	1/2" - 14 BSPP	19.1	27	
GBFS-0808	08	1/2	12.7	1/2" - 14 BSPP	19.1	27	
GBFS-0810	08	1/2	12.7	5/8" - 14 BSPP	20.6	28.5	
GBFS-1010	10	5/8	15.9	5/8" - 14 BSPP	20.6	28.5	
GBFS-1012	10	5/8	15.9	3/4" - 14 BSPP	24.6	35	32
GBFS-1212	12	3/4	19.1	3/4" - 14 BSPP	24.6	35	32
GBFS-1216	12	3/4	19.1	1" - 11 BSPP	31.0	41	
GBFS-1616	16	1	25.4	1" - 11 BSPP	31.0	41	
GBFS-1620	16	1	25.4	1 1/4" - 11 BSPP	39.7	51	
GBFS-2020	20	1 1/4	31.8	1 1/4" - 11 BSPP	39.7	51	
GBFS-2024	20	1 1/4	31.8	1 1/2" - 11 BSPP	45.2	57	
GBFS-2424	24	1 1/2	38.1	1 1/2" - 11 BSPP	45.2	57	
GBFS-2432	24	1 1/2	38.1	2" - 11 BSPP	57.2	74.5	
GBFS-3232	32	2	50.8	2" - 11 BSPP	57.2	74.5	

REMARK: There are 2 size of hexagon nuts (H1 or H2) to choose from.

GBFS

Female JIS 30° Flared Swivel
/ 45° Elbow

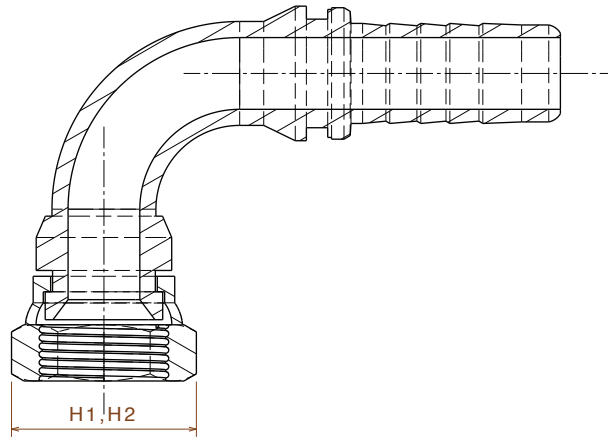


Part Number	Dash number	Hose Bore		Thread	Thread I.D. (mm)	Dimension	
		inch	mm			H1	H2
GBFS-0404	04	1/4	6.4	1/4" - 19 BSPP	11.9	19	
GBFS-0406	04	1/4	6.4	3/8" - 19 BSPP	15.1	22	
GBFS-0606	06	3/8	9.5	3/8" - 19 BSPP	15.1	22	
GBFS-0608	06	3/8	9.5	1/2" - 14 BSPP	19.1	27	
GBFS-0808	08	1/2	12.7	1/2" - 14 BSPP	19.1	27	
GBFS-0810	08	1/2	12.7	5/8" - 14 BSPP	20.6	28.5	
GBFS-1010	10	5/8	15.9	5/8" - 14 BSPP	20.6	28.5	
GBFS-1012	10	5/8	15.9	3/4" - 14 BSPP	24.6	35	32
GBFS-1212	12	3/4	19.1	3/4" - 14 BSPP	24.6	35	32
GBFS-1216	12	3/4	19.1	1" - 11 BSPP	31.0	41	
GBFS-1616	16	1	25.4	1" - 11 BSPP	31.0	41	
GBFS-1620	16	1	25.4	1 1/4" - 11 BSPP	39.7	51	
GBFS-2020	20	1 1/4	31.8	1 1/4" - 11 BSPP	39.7	51	
GBFS-2024	20	1 1/4	31.8	1 1/2" - 11 BSPP	45.2	57	
GBFS-2424	24	1 1/2	38.1	1 1/2" - 11 BSPP	45.2	57	
GBFS-2432	24	1 1/2	38.1	2" - 11 BSPP	57.2	74.5	
GBFS-3232	32	2	50.8	2" - 11 BSPP	57.2	74.5	

REMARK: There are 2 size of hexagon nuts (H1 or H2) to choose from.

GBFS

Female JIS 30° Flared Swivel
/ 90° Elbow

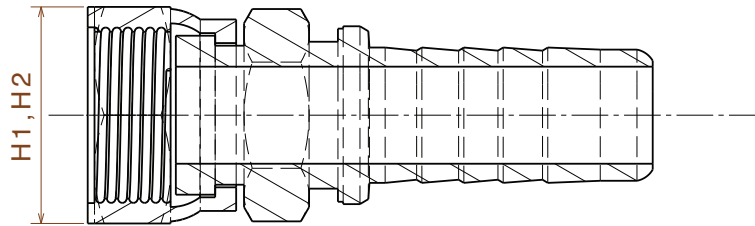


Part Number	Dash number	Hose Bore		Thread	Thread	Dimension	
		inch	mm		I.D. (mm)	H1	H2
GBFS-0404	04	1/4	6.4	1/4" - 19 BSPP	11.9	19	
GBFS-0406	04	1/4	6.4	3/8" - 19 BSPP	15.1	22	
GBFS-0606	06	3/8	9.5	3/8" - 19 BSPP	15.1	22	
GBFS-0608	06	3/8	9.5	1/2" - 14 BSPP	19.1	27	
GBFS-0808	08	1/2	12.7	1/2" - 14 BSPP	19.1	27	
GBFS-0810	08	1/2	12.7	5/8" - 14 BSPP	20.6	28.5	
GBFS-1010	10	5/8	15.9	5/8" - 14 BSPP	20.6	28.5	
GBFS-1012	10	5/8	15.9	3/4" - 14 BSPP	24.6	35	32
GBFS-1212	12	3/4	19.1	3/4" - 14 BSPP	24.6	35	32
GBFS-1216	12	3/4	19.1	1" - 11 BSPP	31.0	41	
GBFS-1616	16	1	25.4	1" - 11 BSPP	31.0	41	
GBFS-1620	16	1	25.4	1 1/4" - 11 BSPP	39.7	51	
GBFS-2020	20	1 1/4	31.8	1 1/4" - 11 BSPP	39.7	51	
GBFS-2024	20	1 1/4	31.8	1 1/2" - 11 BSPP	45.2	57	
GBFS-2424	24	1 1/2	38.1	1 1/2" - 11 BSPP	45.2	57	
GBFS-2432	24	1 1/2	38.1	2" - 11 BSPP	57.2	74.5	
GBFS-3232	32	2	50.8	2" - 11 BSPP	57.2	74.5	

REMARK: There are 2 size of hexagon nuts (H1 or H2) to choose from.

GBSF

Female BSPP Flat Face

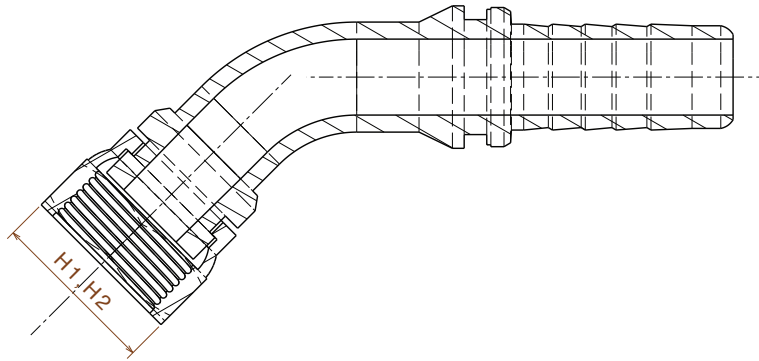


Part Number	Dash number	Hose Bore		Thread	Thread I.D. (mm)	Dimension	
		inch	mm			H1	H2
GBSF-0404	04	1/4	6.4	1/4" - 19 BSPP	11.9	19.0	
GBSF-0406	04	1/4	6.4	3/8" - 19 BSPP	15.1	22.0	
GBSF-0606	06	3/8	9.5	3/8" - 19 BSPP	15.1	22.0	
GBSF-0608	06	3/8	9.5	1/2" - 14 BSPP	19.1	27.0	
GBSF-0808	08	1/2	12.7	1/2" - 14 BSPP	19.1	27.0	
GBSF-0810	08	1/2	12.7	5/8" - 14 BSPP	20.6	28.5	
GBSF-1010	10	5/8	15.9	5/8" - 14 BSPP	20.6	28.5	
GBSF-1012	10	5/8	15.9	3/4" - 14 BSPP	24.6	35.0	32.0
GBSF-1212	12	3/4	19.1	3/4" - 14 BSPP	24.6	35.0	32.0
GBSF-1216	12	3/4	19.1	1" - 11 BSPP	31.0	41.0	
GBSF-1616	16	1	25.4	1" - 11 BSPP	31.0	41.0	
GBSF-1620	16	1	25.4	1 1/4" - 11 BSPP	39.7	51.0	
GBSF-2020	20	1 1/4	31.8	1 1/4" - 11 BSPP	39.7	51.0	
GBSF-2024	20	1 1/4	31.8	1 1/2" - 11 BSPP	45.2	57.0	
GBSF-2424	24	1 1/2	38.1	1 1/2" - 11 BSPP	45.2	57.0	

REMARK: There are 2 size of hexagon nuts (H1 or H2) to choose from.

GBSF

Female BSPP Flat Face
/ 45° Elbow

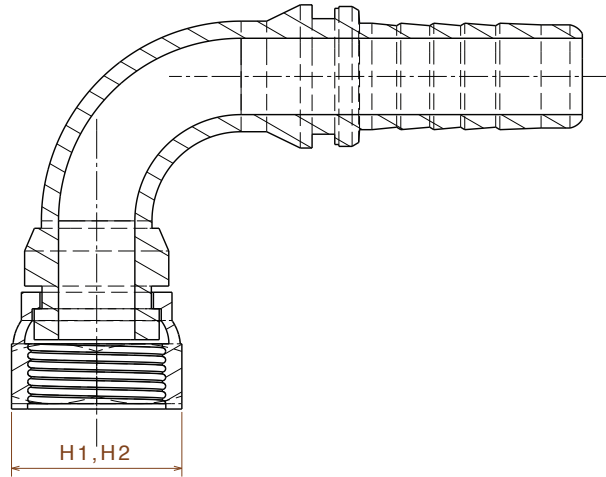


Part Number	Dash number	Hose Bore		Thread	Thread I.D. (mm)	Dimension	
		inch	mm			H1	H2
GBSF-0404	04	1/4	6.4	1/4" - 19 BSPP	11.9	19.0	
GBSF-0406	04	1/4	6.4	3/8" - 19 BSPP	15.1	22.0	
GBSF-0606	06	3/8	9.5	3/8" - 19 BSPP	15.1	22.0	
GBSF-0608	06	3/8	9.5	1/2" - 14 BSPP	19.1	27.0	
GBSF-0808	08	1/2	12.7	1/2" - 14 BSPP	19.1	27.0	
GBSF-0810	08	1/2	12.7	5/8" - 14 BSPP	20.6	28.5	
GBSF-1010	10	5/8	15.9	5/8" - 14 BSPP	20.6	28.5	
GBSF-1012	10	5/8	15.9	3/4" - 14 BSPP	24.6	35.0	32.0
GBSF-1212	12	3/4	19.1	3/4" - 14 BSPP	24.6	35.0	32.0
GBSF-1216	12	3/4	19.1	1" - 11 BSPP	31.0	41.0	
GBSF-1616	16	1	25.4	1" - 11 BSPP	31.0	41.0	
GBSF-1620	16	1	25.4	1 1/4" - 11 BSPP	39.7	51.0	
GBSF-2020	20	1 1/4	31.8	1 1/4" - 11 BSPP	39.7	51.0	
GBSF-2024	20	1 1/4	31.8	1 1/2" - 11 BSPP	45.2	57.0	
GBSF-2424	24	1 1/2	38.1	1 1/2" - 11 BSPP	45.2	57.0	

REMARK: There are 2 size of hexagon nuts (H1 or H2) to choose from.

GBSF

Female BSPP Flat Face
/ 90° Elbow

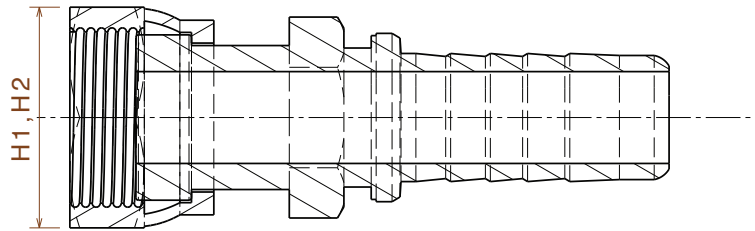


Part Number	Dash number	Hose Bore		Thread	Thread I.D. (mm)	Dimension	
		inch	mm			H1	H2
GBSF-0404	04	1/4	6.4	1/4" - 19 BSPP	11.9	19.0	
GBSF-0406	04	1/4	6.4	3/8" - 19 BSPP	15.1	22.0	
GBSF-0606	06	3/8	9.5	3/8" - 19 BSPP	15.1	22.0	
GBSF-0608	06	3/8	9.5	1/2" - 14 BSPP	19.1	27.0	
GBSF-0808	08	1/2	12.7	1/2" - 14 BSPP	19.1	27.0	
GBSF-0810	08	1/2	12.7	5/8" - 14 BSPP	20.6	28.5	
GBSF-1010	10	5/8	15.9	5/8" - 14 BSPP	20.6	28.5	
GBSF-1012	10	5/8	15.9	3/4" - 14 BSPP	24.6	35.0	32.0
GBSF-1212	12	3/4	19.1	3/4" - 14 BSPP	24.6	35.0	32.0
GBSF-1216	12	3/4	19.1	1" - 11 BSPP	31.0	41.0	
GBSF-1616	16	1	25.4	1" - 11 BSPP	31.0	41.0	
GBSF-1620	16	1	25.4	1 1/4" - 11 BSPP	39.7	51.0	
GBSF-2020	20	1 1/4	31.8	1 1/4" - 11 BSPP	39.7	51.0	
GBSF-2024	20	1 1/4	31.8	1 1/2" - 11 BSPP	45.2	57.0	
GBSF-2424	24	1 1/2	38.1	1 1/2" - 11 BSPP	45.2	57.0	

REMARK: There are 2 size of hexagon nuts (H1 or H2) to choose from.

GORS

Female SAE J1453 O-Ring Face Seal

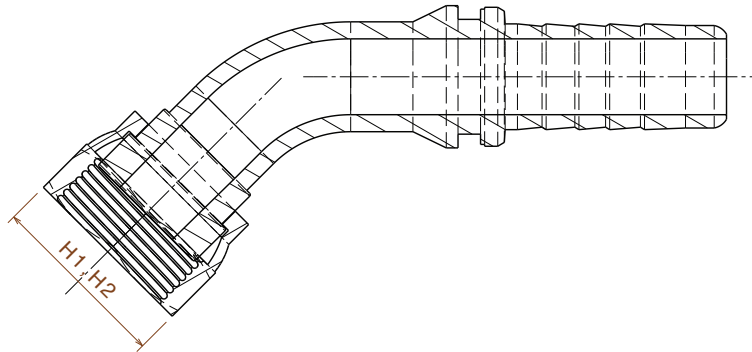


Part Number	Dash number	Hose Bore		Thread	Thread	Dimension	
		inch	mm		I.D. (mm)	H1	H2
GORS-0404	04	1/4	6.4	9/16" - 18	13.5	19	
GORS-0406	04	1/4	6.4	11/16" - 16	15.9	22	
GORS-0606	06	3/8	9.5	11/16" - 16	15.9	22	
GORS-0608	06	3/8	9.5	13/16" - 16	19.1	25.4	
GORS-0808	08	1/2	12.7	13/16" - 16	19.1	25.4	
GORS-0810	08	1/2	12.7	1" - 14	23.8	32	
GORS-1010	10	5/8	15.9	1" - 14	23.8	32	
GORS-1012	10	5/8	15.9	1 3/16" - 12	28.6	36	38
GORS-1212	12	3/4	19.1	1 3/16" - 12	28.6	36	38
GORS-1216	12	3/4	19.1	1 7/16" - 12	44.5	41	45
GORS-1616	16	1	25.4	1 7/16" - 12	44.5	41	45
GORS-1620	16	1	25.4	1 11/16" - 12	41.3	51	
GORS-2020	20	1 1/4	31.8	1 11/16" - 12	41.3	51	
GORS-2024	20	1 1/4	31.8	2" - 12	49.2	57	
GORS-2424	24	1 1/2	38.1	2" - 12	49.2	57	

REMARK: There are 2 size of hexagon nuts (H1 or H2) to choose from.

GORS

Female SAE J1453 O-Ring Face Seal / 45° Elbow

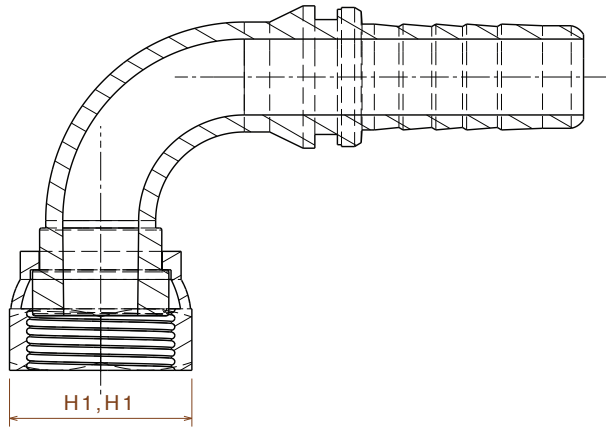


Part Number	Dash number	Hose Bore		Thread	Thread I.D. (mm)	Dimension	
		inch	mm			H1	H2
GORS-0404	04	1/4	6.4	9/16" - 18	13.5	19	
GORS-0406	04	1/4	6.4	11/16" - 16	15.9	22	
GORS-0606	06	3/8	9.5	11/16" - 16	15.9	22	
GORS-0608	06	3/8	9.5	13/16" - 16	19.1	25.4	
GORS-0808	08	1/2	12.7	13/16" - 16	19.1	25.4	
GORS-0810	08	1/2	12.7	1" - 14	23.8	32	
GORS-1010	10	5/8	15.9	1" - 14	23.8	32	
GORS-1012	10	5/8	15.9	1 3/16" - 12	28.6	36	38
GORS-1212	12	3/4	19.1	1 3/16" - 12	28.6	36	38
GORS-1216	12	3/4	19.1	1 7/16" - 12	44.5	41	45
GORS-1616	16	1	25.4	1 7/16" - 12	44.5	41	45
GORS-1620	16	1	25.4	1 11/16" - 12	41.3	51	
GORS-2020	20	1 1/4	31.8	1 11/16" - 12	41.3	51	
GORS-2024	20	1 1/4	31.8	2" - 12	49.2	57	
GORS-2424	24	1 1/2	38.1	2" - 12	49.2	57	

REMARK: There are 2 size of hexagon nuts (H1 or H2) to choose from.

GORS

Female SAE J1453 O-Ring Face Seal / 90° Elbow

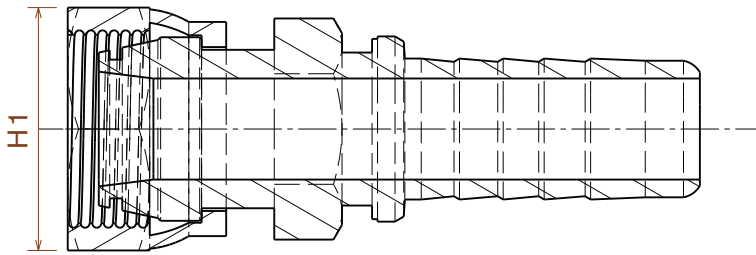


Part Number	Dash number	Hose Bore		Thread	Thread	Dimension	
		inch	mm		I.D. (mm)	H1	H2
GORS-0404	04	1/4	6.4	9/16" - 18	13.5	19	
GORS-0406	04	1/4	6.4	11/16" - 16	15.9	22	
GORS-0606	06	3/8	9.5	11/16" - 16	15.9	22	
GORS-0608	06	3/8	9.5	13/16" - 16	19.1	25.4	
GORS-0808	08	1/2	12.7	13/16" - 16	19.1	25.4	
GORS-0810	08	1/2	12.7	1" - 14	23.8	32	
GORS-1010	10	5/8	15.9	1" - 14	23.8	32	
GORS-1012	10	5/8	15.9	1 3/16" - 12	28.6	36	38
GORS-1212	12	3/4	19.1	1 3/16" - 12	28.6	36	38
GORS-1216	12	3/4	19.1	1 7/16" - 12	44.5	41	45
GORS-1616	16	1	25.4	1 7/16" - 12	44.5	41	45
GORS-1620	16	1	25.4	1 11/16" - 12	41.3	51	
GORS-2020	20	1 1/4	31.8	1 11/16" - 12	41.3	51	
GORS-2024	20	1 1/4	31.8	2" - 12	49.2	57	
GORS-2424	24	1 1/2	38.1	2" - 12	49.2	57	

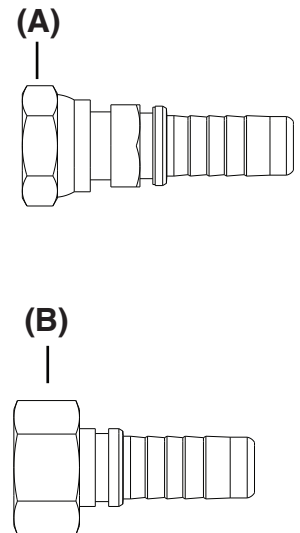
REMARK: There are 2 size of hexagon nuts (H1 or H2) to choose from.

MMN

Female DIN 2353 Metric Tube Compression
O-Ring 24° Cone



REMARK: There are 2 type of nuts **(A)** for **Swivel Nut Crimped** and **(B)** for **Swivel Nut**



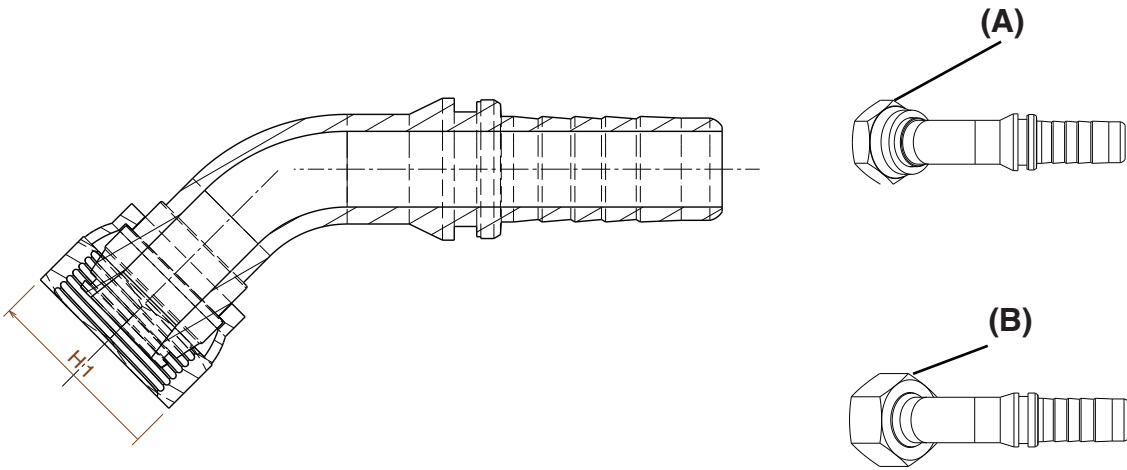
MMN

Female DIN 2353 Metric Tube Compression O-Ring 24° Cone

Part Number	Dash number	Hose Bore		Thread	Dimension (mm)			Type Nut
		inch	mm		I.D. (mm)	P	H1	
MMN-04x14mP8	04	1/4	6.4	M14 x 1.5	12.5	8.0	17	(B)
MMN-04x16mP10	04	1/4	6.4	M16 x 1.5	14.5	10.0	19	(B)
MMN-04x16mP8	04	1/4	6.4	M16 x 1.5	14.5	8.0	19	(B)
MMN-04x18mP10	04	1/4	6.4	M18 x 1.5	16.5	10.0	22	(B)
MMN-04x18mP12	04	1/4	6.4	M18 x 1.5	16.5	12.0	22	(B)
MMN-06x14mP6	06	3/8	9.5	M14 x 1.5	12.5	6.0	19	(B)
MMN-06x16mP10	06	3/8	9.5	M16 x 1.5	14.5	10.0	20	(A)
MMN-06x18mP10	06	3/8	9.5	M18 x 1.5	16.5	10.0	22	(B)
MMN-06x18mP12	06	3/8	9.5	M18 x 1.5	16.5	12.0	22	(B)
MMN-06x20mP12	06	3/8	9.5	M20 x 1.5	18.5	12.0	24	(B)
MMN-06x22mP14	06	3/8	9.5	M22 x 1.5	20.5	14.0	27	(B)
MMN-06x22mP15	06	3/8	9.5	M22 x 1.5	20.5	15.0	27	(B)
MMN-06x24mP16	06	3/8	9.5	M24 x 1.5	22.5	16.0	28	(B)
MMN-08x18mP12	08	1/2	12.7	M18 x 1.5	16.5	12.0	23.6	(A)
MMN-08x20mP12	08	1/2	12.7	M20 x 1.5	18.5	12.0	25.4	(B)
MMN-08x20mP15	08	1/2	12.7	M20 x 1.5	18.5	15.0	24	(B)
MMN-08x22mP15	08	1/2	12.7	M22 x 1.5	20.5	15.0	27	(B)
MMN-08x24mP16	08	1/2	12.7	M24 x 1.5	22.5	16.0	28.5	(B)
MMN-08x26mP18	08	1/2	12.7	M26 x 1.5	24.5	18.0	32	(B)
MMN-08x30mP20	08	1/2	12.7	M30 x 1.5 or 2.0	28.5 or 28.0	20.0	35	(B)
MMN-08x30mP22	08	1/2	12.7	M30 x 1.5 or 2.0	28.5 or 28.0	22.0	35	(B)
MMN-10x26mP18	10	5/8	15.9	M26 x 1.5	24.5	18.0	32	(B)
MMN-10x27mP18	10	5/8	15.9	M27 x 1.5	25.5	18.0	35	(B)
MMN-10x27mP20	10	5/8	15.9	M27 x 1.5	25.5	20.0	35	(B)
MMN-10x28mP18	10	5/8	15.9	M28 x 1.5	26.5	18.0	35	(B)
MMN-10x28mP20	10	5/8	15.9	M28 x 1.5	26.5	20.0	35	(B)
MMN-10x30mP20	10	5/8	15.9	M30 x 1.5 or 2.0	28.5 or 28.0	20.0	35	(B)
MMN-10x30mP22	10	5/8	15.9	M30 x 1.5 or 2.0	28.5 or 28.0	22.0	35	(B)
MMN-10x36mP25	10	5/8	15.9	M36 x 1.5 or 2.0	34.5 or 34.0	25.0	41.5	(B)
MMN-10x36mP28	10	5/8	15.9	M36 x 1.5 or 2.0	34.5 or 34.0	28.0	41.5	(B)
MMN-12x26mP18	12	3/4	19.1	M26 x 1.5	24.5	18.0	32	(B)
MMN-12x27mP18	12	3/4	19.1	M27 x 1.5	25.5	18.0	35	(B)
MMN-12x28mP18	12	3/4	19.1	M28 x 1.5	26.5	18.0	35	(B)
MMN-12x30mP20	12	3/4	19.1	M30 x 1.5 or 2.0	28.5 or 28.0	20.0	35	(B)
MMN-12x30mP22	12	3/4	19.1	M30 x 1.5 or 2.0	28.5 or 28.0	22.0	35	(B)
MMN-12x30mP22	12	3/4	19.1	M30 x 1.5 or 2.0	28.5 or 28.0	22.0	35	(B)
MMN-12x36mP25	12	3/4	19.1	M36 x 1.5 or 2.0	34.5 or 34.0	25.0	41.5	(B)
MMN-12x36mP28	12	3/4	19.1	M36 x 1.5 or 2.0	34.5 or 34.0	28.0	41.5	(B)
MMN-12x42mP30	12	3/4	19.1	M42 x 1.5 or 2.0	40.5 or 40.0	30.0	51	(B)
MMN-16x30mP20	16	1	25.4	M30 x 1.5 or 2.0	28.5 or 28.0	20.0	38	(B)
MMN-16x30mP22	16	1	25.4	M30 x 1.5 or 2.0	28.5 or 28.0	22.0	38	(B)
MMN-16x36mP25	16	1	25.4	M36 x 1.5 or 2.0	34.5 or 34.0	25.0	44.5	(A)
MMN-16x36mP28	16	1	25.4	M36 x 1.5 or 2.0	34.5 or 34.0	28.0	44.5	(A)
MMN-16x38mP28	16	1	25.4	M38 x 1.5 or 2.0	36.5 or 36.0	28.0	47.5	(B)
MMN-16x39mP27	16	1	25.4	M39 x 1.5 or 2.0	37.5 or 37.0	27.0	47.5	(B)
MMN-16x39mP28	16	1	25.4	M39 x 1.5 or 2.0	37.5 or 37.0	28.0	47.5	(B)
MMN-16x42mP30	16	1	25.4	M42 x 1.5 or 2.0	40.5 or 40.0	30.0	51	(B)
MMN-16x42mP32	16	1	25.4	M42 x 1.5 or 2.0	40.5 or 40.0	32.0	51	(B)
MMN-16x42mP34	16	1	25.4	M42 x 1.5 or 2.0	40.5 or 40.0	34.0	51	(B)
MMN-16x45mP35	16	1	25.4	M45 x 1.5 or 2.0	43.5 or 43.0	35.0	51	(B)
MMN-16x52mP38	16	1	25.4	M52 x 2.0	50.0	38.0	60	(B)
MMN-16x52mP42	16	1	25.4	M52 x 2.0	50.0	42.0	60	(B)
MMN-20x42mP30	20	1 1/4	31.8	M42 x 1.5 or 2.0	40.5 or 40.0	30.0	51	(A)
MMN-20x42mP34	20	1 1/4	31.8	M42 x 1.5 or 2.0	40.5 or 40.0	34.0	51	(A)
MMN-20x45mP35	20	1 1/4	31.8	M45 x 1.5 or 2.0	43.5 or 43.0	35.0	51	(B)
MMN-20x52mP38	20	1 1/4	31.8	M52 x 2.0	50.0	38.0	60	(B)
MMN-20x52mP42	20	1 1/4	31.8	M52 x 2.0	50.0	42.0	60	(B)
MMN-24x45mP35	24	1 1/2	38.1	M45 x 1.5 or 2.0	43.5 or 43.0	35.0	60	(B)
MMN-24x52mP38	24	1 1/2	38.1	M52 x 2.0	50.0	38.0	60	(B)
MMN-24x52mP42	24	1 1/2	38.1	M52 x 2.0	50.0	42.0	60	(B)

MMN

Female DIN 2353 Metric Tube Compression
O-Ring 24° Cone / 45° Elbow



REMARK: There are 2 type of nuts (A) for **Swivel Nut Crimped** and (B) for **Swivel Nut**

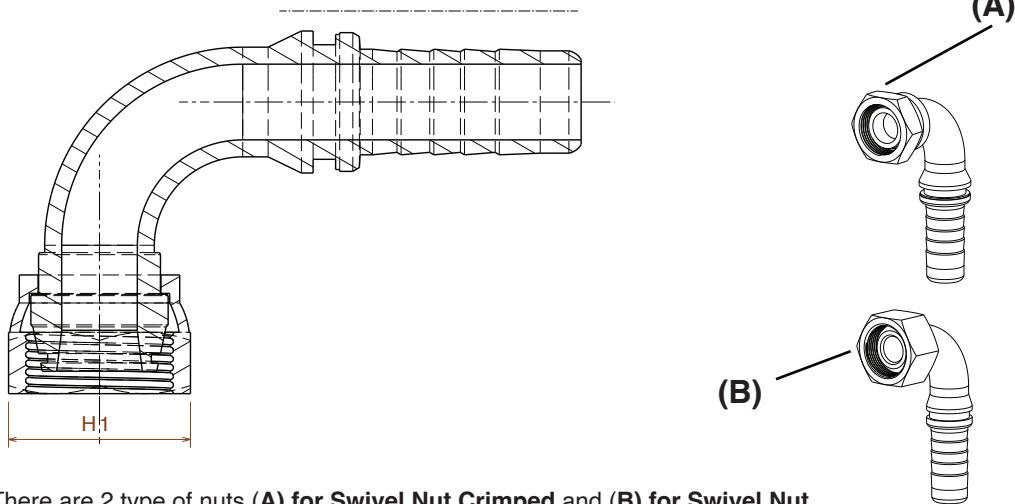
MMN

Female DIN 2353 Metric Tube Compression O-Ring 24° Cone / 45° Elbow

Part Number	Dash number	Hose Bore		Thread	Thread			Type Nut
		inch	mm		I.D. (mm)	P	H1	
MMN-04x14mP8	04	1/4	6.4	M14 x 1.5	12.5	8.0	17	(B)
MMN-04x16mP10	04	1/4	6.4	M16 x 1.5	14.5	10.0	19	(B)
MMN-04x16mP8	04	1/4	6.4	M16 x 1.5	14.5	8.0	19	(B)
MMN-04x18mP10	04	1/4	6.4	M18 x 1.5	16.5	10.0	22	(B)
MMN-04x18mP12	04	1/4	6.4	M18 x 1.5	16.5	12.0	22	(B)
MMN-06x14mP6	06	3/8	9.5	M14 x 1.5	12.5	6.0	19	(B)
MMN-06x16mP10	06	3/8	9.5	M16 x 1.5	14.5	10.0	20	(A)
MMN-06x18mP10	06	3/8	9.5	M18 x 1.5	16.5	10.0	22	(B)
MMN-06x18mP12	06	3/8	9.5	M18 x 1.5	16.5	12.0	22	(B)
MMN-06x20mP12	06	3/8	9.5	M20 x 1.5	18.5	12.0	24	(B)
MMN-06x22mP14	06	3/8	9.5	M22 x 1.5	20.5	14.0	27	(B)
MMN-06x22mP15	06	3/8	9.5	M22 x 1.5	20.5	15.0	27	(B)
MMN-06x24mP16	06	3/8	9.5	M24 x 1.5	22.5	16.0	28	(B)
MMN-08x18mP12	08	1/2	12.7	M18 x 1.5	16.5	12.0	23.6	(A)
MMN-08x20mP12	08	1/2	12.7	M20 x 1.5	18.5	12.0	25.4	(B)
MMN-08x20mP15	08	1/2	12.7	M20 x 1.5	18.5	15.0	24	(B)
MMN-08x22mP15	08	1/2	12.7	M22 x 1.5	20.5	15.0	27	(B)
MMN-08x24mP16	08	1/2	12.7	M24 x 1.5	22.5	16.0	28.5	(B)
MMN-08x26mP18	08	1/2	12.7	M26 x 1.5	24.5	18.0	32	(B)
MMN-08x30mP20	08	1/2	12.7	M30 x 1.5 or 2.0	28.5 or 28.0	20.0	35	(B)
MMN-08x30mP22	08	1/2	12.7	M30 x 1.5 or 2.0	28.5 or 28.0	22.0	35	(B)
MMN-10x26mP18	10	5/8	15.9	M26 x 1.5	24.5	18.0	32	(B)
MMN-10x27mP18	10	5/8	15.9	M27 x 1.5	25.5	18.0	35	(B)
MMN-10x27mP20	10	5/8	15.9	M27 x 1.5	25.5	20.0	35	(B)
MMN-10x28mP18	10	5/8	15.9	M28 x 1.5	26.5	18.0	35	(B)
MMN-10x28mP20	10	5/8	15.9	M28 x 1.5	26.5	20.0	35	(B)
MMN-10x30mP20	10	5/8	15.9	M30 x 1.5 or 2.0	28.5 or 28.0	20.0	35	(B)
MMN-10x30mP22	10	5/8	15.9	M30 x 1.5 or 2.0	28.5 or 28.0	22.0	35	(B)
MMN-10x36mP25	10	5/8	15.9	M36 x 1.5 or 2.0	34.5 or 34.0	25.0	41.5	(B)
MMN-10x36mP28	10	5/8	15.9	M36 x 1.5 or 2.0	34.5 or 34.0	28.0	41.5	(B)
MMN-12x26mP18	12	3/4	19.1	M26 x 1.5	24.5	18.0	32	(B)
MMN-12x27mP18	12	3/4	19.1	M27 x 1.5	25.5	18.0	35	(B)
MMN-12x28mP18	12	3/4	19.1	M28 x 1.5	26.5	18.0	35	(B)
MMN-12x30mP20	12	3/4	19.1	M30 x 1.5 or 2.0	28.5 or 28.0	20.0	35	(B)
MMN-12x30mP22	12	3/4	19.1	M30 x 1.5 or 2.0	28.5 or 28.0	22.0	35	(B)
MMN-12x30mP22	12	3/4	19.1	M30 x 1.5 or 2.0	28.5 or 28.0	22.0	35	(B)
MMN-12x36mP25	12	3/4	19.1	M36 x 1.5 or 2.0	34.5 or 34.0	25.0	41.5	(B)
MMN-12x36mP28	12	3/4	19.1	M36 x 1.5 or 2.0	34.5 or 34.0	28.0	41.5	(B)
MMN-12x42mP30	12	3/4	19.1	M42 x 1.5 or 2.0	40.5 or 40.0	30.0	51	(B)
MMN-16x30mP20	16	1	25.4	M30 x 1.5 or 2.0	28.5 or 28.0	20.0	38	(B)
MMN-16x30mP22	16	1	25.4	M30 x 1.5 or 2.0	28.5 or 28.0	22.0	38	(B)
MMN-16x36mP25	16	1	25.4	M36 x 1.5 or 2.0	34.5 or 34.0	25.0	44.5	(A)
MMN-16x36mP28	16	1	25.4	M36 x 1.5 or 2.0	34.5 or 34.0	28.0	44.5	(A)
MMN-16x38mP28	16	1	25.4	M38 x 1.5 or 2.0	36.5 or 36.0	28.0	47.5	(B)
MMN-16x39mP27	16	1	25.4	M39 x 1.5 or 2.0	37.5 or 37.0	27.0	47.5	(B)
MMN-16x39mP28	16	1	25.4	M39 x 1.5 or 2.0	37.5 or 37.0	28.0	47.5	(B)
MMN-16x42mP30	16	1	25.4	M42 x 1.5 or 2.0	40.5 or 40.0	30.0	51	(B)
MMN-16x42mP32	16	1	25.4	M42 x 1.5 or 2.0	40.5 or 40.0	32.0	51	(B)
MMN-16x42mP34	16	1	25.4	M42 x 1.5 or 2.0	40.5 or 40.0	34.0	51	(B)
MMN-16x45mP35	16	1	25.4	M45 x 1.5 or 2.0	43.5 or 43.0	35.0	51	(B)
MMN-16x52mP38	16	1	25.4	M52 x 2.0	50.0	38.0	60	(B)
MMN-16x52mP42	16	1	25.4	M52 x 2.0	50.0	42.0	60	(B)
MMN-20x42mP30	20	1 1/4	31.8	M42 x 1.5 or 2.0	40.5 or 40.0	30.0	51	(A)
MMN-20x42mP34	20	1 1/4	31.8	M42 x 1.5 or 2.0	40.5 or 40.0	34.0	51	(A)
MMN-20x45mP35	20	1 1/4	31.8	M45 x 1.5 or 2.0	43.5 or 43.0	35.0	51	(B)
MMN-20x52mP38	20	1 1/4	31.8	M52 x 2.0	50.0	38.0	60	(B)
MMN-20x52mP42	20	1 1/4	31.8	M52 x 2.0	50.0	42.0	60	(B)
MMN-24x45mP35	24	1 1/2	38.1	M45 x 1.5 or 2.0	43.5 or 43.0	35.0	60	(B)
MMN-24x52mP38	24	1 1/2	38.1	M52 x 2.0	50.0	38.0	60	(B)
MMN-24x52mP42	24	1 1/2	38.1	M52 x 2.0	50.0	42.0	60	(B)

MMN

Female DIN 2353 Metric Tube Compression
O-Ring 24° Cone / 90° Elbow



REMARK: There are 2 type of nuts **(A)** for **Swivel Nut Crimped** and **(B)** for **Swivel Nut**

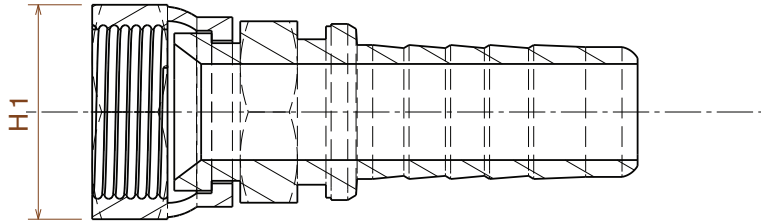
MMN

Female DIN 2353 Metric Tube Compression O-Ring 24° Cone / 90° Elbow

Part Number	Dash number	Hose Bore		Thread	Dimension (mm)			Type Nut
		inch	mm		I.D. (mm)	P	H1	
MMN-04x14mP8	04	1/4	6.4	M14 x 1.5	12.5	8.0	17	(B)
MMN-04x16mP10	04	1/4	6.4	M16 x 1.5	14.5	10.0	19	(B)
MMN-04x16mP8	04	1/4	6.4	M16 x 1.5	14.5	8.0	19	(B)
MMN-04x18mP10	04	1/4	6.4	M18 x 1.5	16.5	10.0	22	(B)
MMN-04x18mP12	04	1/4	6.4	M18 x 1.5	16.5	12.0	22	(B)
MMN-06x14mP6	06	3/8	9.5	M14 x 1.5	12.5	6.0	19	(B)
MMN-06x16mP10	06	3/8	9.5	M16 x 1.5	14.5	10.0	20	(A)
MMN-06x18mP10	06	3/8	9.5	M18 x 1.5	16.5	10.0	22	(B)
MMN-06x18mP12	06	3/8	9.5	M18 x 1.5	16.5	12.0	22	(B)
MMN-06x20mP12	06	3/8	9.5	M20 x 1.5	18.5	12.0	24	(B)
MMN-06x22mP14	06	3/8	9.5	M22 x 1.5	20.5	14.0	27	(B)
MMN-06x22mP15	06	3/8	9.5	M22 x 1.5	20.5	15.0	27	(B)
MMN-06x24mP16	06	3/8	9.5	M24 x 1.5	22.5	16.0	28	(B)
MMN-08x18mP12	08	1/2	12.7	M18 x 1.5	16.5	12.0	23.6	(A)
MMN-08x20mP12	08	1/2	12.7	M20 x 1.5	18.5	12.0	25.4	(B)
MMN-08x20mP15	08	1/2	12.7	M20 x 1.5	18.5	15.0	24	(B)
MMN-08x22mP15	08	1/2	12.7	M22 x 1.5	20.5	15.0	27	(B)
MMN-08x24mP16	08	1/2	12.7	M24 x 1.5	22.5	16.0	28.5	(B)
MMN-08x26mP18	08	1/2	12.7	M26 x 1.5	24.5	18.0	32	(B)
MMN-08x30mP20	08	1/2	12.7	M30 x 1.5 or 2.0	28.5 or 28.0	20.0	35	(B)
MMN-08x30mP22	08	1/2	12.7	M30 x 1.5 or 2.0	28.5 or 28.0	22.0	35	(B)
MMN-10x26mP18	10	5/8	15.9	M26 x 1.5	24.5	18.0	32	(B)
MMN-10x27mP18	10	5/8	15.9	M27 x 1.5	25.5	18.0	35	(B)
MMN-10x27mP20	10	5/8	15.9	M27 x 1.5	25.5	20.0	35	(B)
MMN-10x28mP18	10	5/8	15.9	M28 x 1.5	26.5	18.0	35	(B)
MMN-10x28mP20	10	5/8	15.9	M28 x 1.5	26.5	20.0	35	(B)
MMN-10x30mP20	10	5/8	15.9	M30 x 1.5 or 2.0	28.5 or 28.0	20.0	35	(B)
MMN-10x30mP22	10	5/8	15.9	M30 x 1.5 or 2.0	28.5 or 28.0	22.0	35	(B)
MMN-10x36mP25	10	5/8	15.9	M36 x 1.5 or 2.0	34.5 or 34.0	25.0	41.5	(B)
MMN-10x36mP28	10	5/8	15.9	M36 x 1.5 or 2.0	34.5 or 34.0	28.0	41.5	(B)
MMN-12x26mP18	12	3/4	19.1	M26 x 1.5	24.5	18.0	32	(B)
MMN-12x27mP18	12	3/4	19.1	M27 x 1.5	25.5	18.0	35	(B)
MMN-12x28mP18	12	3/4	19.1	M28 x 1.5	26.5	18.0	35	(B)
MMN-12x30mP20	12	3/4	19.1	M30 x 1.5 or 2.0	28.5 or 28.0	20.0	35	(B)
MMN-12x30mP22	12	3/4	19.1	M30 x 1.5 or 2.0	28.5 or 28.0	22.0	35	(B)
MMN-12x30mP22	12	3/4	19.1	M30 x 1.5 or 2.0	28.5 or 28.0	22.0	35	(B)
MMN-12x36mP25	12	3/4	19.1	M36 x 1.5 or 2.0	34.5 or 34.0	25.0	41.5	(B)
MMN-12x36mP28	12	3/4	19.1	M36 x 1.5 or 2.0	34.5 or 34.0	28.0	41.5	(B)
MMN-12x42mP30	12	3/4	19.1	M42 x 1.5 or 2.0	40.5 or 40.0	30.0	51	(B)
MMN-16x30mP20	16	1	25.4	M30 x 1.5 or 2.0	28.5 or 28.0	20.0	38	(B)
MMN-16x30mP22	16	1	25.4	M30 x 1.5 or 2.0	28.5 or 28.0	22.0	38	(B)
MMN-16x36mP25	16	1	25.4	M36 x 1.5 or 2.0	34.5 or 34.0	25.0	44.5	(A)
MMN-16x36mP28	16	1	25.4	M36 x 1.5 or 2.0	34.5 or 34.0	28.0	44.5	(A)
MMN-16x38mP28	16	1	25.4	M38 x 1.5 or 2.0	36.5 or 36.0	28.0	47.5	(B)
MMN-16x39mP27	16	1	25.4	M39 x 1.5 or 2.0	37.5 or 37.0	27.0	47.5	(B)
MMN-16x39mP28	16	1	25.4	M39 x 1.5 or 2.0	37.5 or 37.0	28.0	47.5	(B)
MMN-16x42mP30	16	1	25.4	M42 x 1.5 or 2.0	40.5 or 40.0	30.0	51	(B)
MMN-16x42mP32	16	1	25.4	M42 x 1.5 or 2.0	40.5 or 40.0	32.0	51	(B)
MMN-16x42mP34	16	1	25.4	M42 x 1.5 or 2.0	40.5 or 40.0	34.0	51	(B)
MMN-16x45mP35	16	1	25.4	M45 x 1.5 or 2.0	43.5 or 43.0	35.0	51	(B)
MMN-16x52mP38	16	1	25.4	M52 x 2.0	50.0	38.0	60	(B)
MMN-16x52mP42	16	1	25.4	M52 x 2.0	50.0	42.0	60	(B)
MMN-20x42mP30	20	1 1/4	31.8	M42 x 1.5 or 2.0	40.5 or 40.0	30.0	51	(A)
MMN-20x42mP34	20	1 1/4	31.8	M42 x 1.5 or 2.0	40.5 or 40.0	34.0	51	(A)
MMN-20x45mP35	20	1 1/4	31.8	M45 x 1.5 or 2.0	43.5 or 43.0	35.0	51	(B)
MMN-20x52mP38	20	1 1/4	31.8	M52 x 2.0	50.0	38.0	60	(B)
MMN-20x52mP42	20	1 1/4	31.8	M52 x 2.0	50.0	42.0	60	(B)
MMN-24x45mP35	24	1 1/2	38.1	M45 x 1.5 or 2.0	43.5 or 43.0	35.0	60	(B)
MMN-24x52mP38	24	1 1/2	38.1	M52 x 2.0	50.0	38.0	60	(B)
MMN-24x52mP42	24	1 1/2	38.1	M52 x 2.0	50.0	42.0	60	(B)

GKS

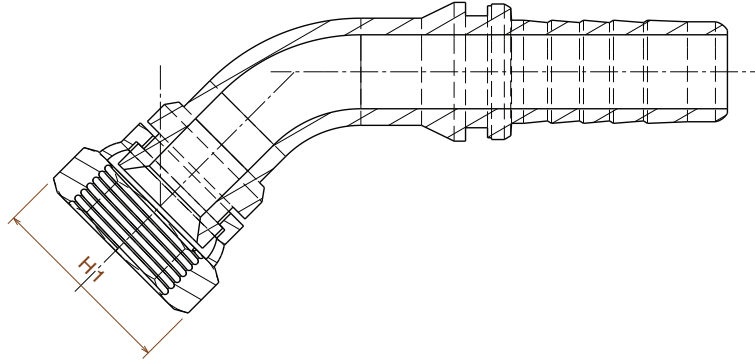
Female Komatsu 30° Flare



Part Number	Dash number	Hose Bore		Thread	Thread	Dimension H1
		inch	mm		I.D. (mm)	
GKS-04x10m	04	1/4	6.4	M10 x 1.5	8.5	16
GKS-04x12m	04	1/4	6.4	M12 x 1.5	10.5	15
GKS-04x14m	04	1/4	6.4	M14 x 1.5	12.5	19
GKS-04x16m	04	1/4	6.4	M16 x 1.5	14.5	20.7
GKS-04x18m	04	1/4	6.4	M18 x 1.5	16.5	24
GKS-06x14m	06	3/8	9.5	M14 x 1.5	12.5	19
GKS-06x16m	06	3/8	9.5	M16 x 1.5	14.5	20.7
GKS-06x18m	06	3/8	9.5	M18 x 1.5	16.5	24
GKS-06x20m	06	3/8	9.5	M20 x 1.5	18.5	25.4
GKS-06x22m	06	3/8	9.5	M22 x 1.5	20.5	27
GKS-08x16m	08	1/2	12.7	M16 x 1.5	14.5	20.7
GKS-08x18m	08	1/2	12.7	M18 x 1.5	16.5	24
GKS-08x20m	08	1/2	12.7	M20 x 1.5	18.5	25.4
GKS-08x22m	08	1/2	12.7	M22 x 1.5	20.5	27
GKS-08x24m	08	1/2	12.7	M24 x 1.5	22.5	30
GKS-10x22m	10	5/8	15.9	M22 x 1.5	20.5	27
GKS-10x24m	10	5/8	15.9	M24 x 1.5	22.5	30
GKS-10x26m	10	5/8	15.9	M26 x 1.5	24.5	35
GKS-10x27m	10	5/8	15.9	M27 x 1.5	25.5	35
GKS-10x30m	10	5/8	15.9	M30 x 1.5 or 2.0	28.5 or 28.0	38
GKS-12x30m	12	3/4	19.1	M30 x 1.5 or 2.0	28.5 or 28.0	38
GKS-12x33m	12	3/4	19.1	M33 x 1.5 or 2.0	31.5 or 31.0	41.5
GKS-12x36m	12	3/4	19.1	M36 x 1.5 or 2.0	34.5 or 34.0	45
GKS-16x33m	16	1	25.4	M33 x 1.5 or 2.0	31.5 or 31.0	41.5
GKS-16x36m	16	1	25.4	M36 x 1.5 or 2.0	34.5 or 34.0	45
GKS-20x36m	20	1 1/4	31.8	M36 x 1.5 or 2.0	34.5 or 34.0	45
GKS-24x42m	24	1 1/2	38.1	M42 x 1.5 or 2.0	40.5 or 40.0	51

GKS

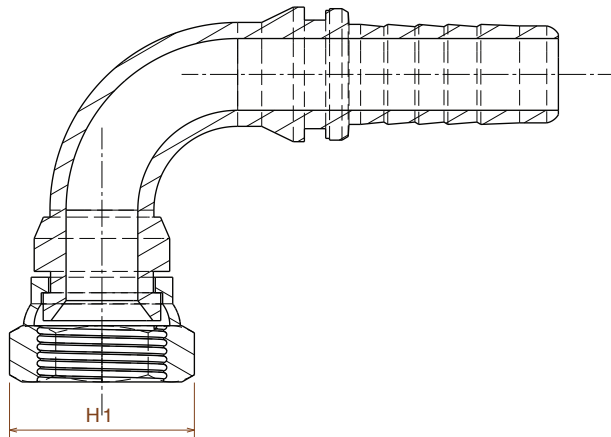
Female Komatsu 30° Flare / 45° Elbow



Part Number	Dash number	Hose Bore		Thread	Thread	Dimension H1
		inch	mm		I.D. (mm)	
GKS-04x10m	04	1/4	6.4	M10 x 1.5	8.5	16
GKS-04x12m	04	1/4	6.4	M12 x 1.5	10.5	15
GKS-04x14m	04	1/4	6.4	M14 x 1.5	12.5	19
GKS-04x16m	04	1/4	6.4	M16 x 1.5	14.5	20.7
GKS-04x18m	04	1/4	6.4	M18 x 1.5	16.5	24
GKS-06x14m	06	3/8	9.5	M14 x 1.5	12.5	19
GKS-06x16m	06	3/8	9.5	M16 x 1.5	14.5	20.7
GKS-06x18m	06	3/8	9.5	M18 x 1.5	16.5	24
GKS-06x20m	06	3/8	9.5	M20 x 1.5	18.5	25.4
GKS-06x22m	06	3/8	9.5	M22 x 1.5	20.5	27
GKS-08x16m	08	1/2	12.7	M16 x 1.5	14.5	20.7
GKS-08x18m	08	1/2	12.7	M18 x 1.5	16.5	24
GKS-08x20m	08	1/2	12.7	M20 x 1.5	18.5	25.4
GKS-08x22m	08	1/2	12.7	M22 x 1.5	20.5	27
GKS-08x24m	08	1/2	12.7	M24 x 1.5	22.5	30
GKS-10x22m	10	5/8	15.9	M22 x 1.5	20.5	27
GKS-10x24m	10	5/8	15.9	M24 x 1.5	22.5	30
GKS-10x26m	10	5/8	15.9	M26 x 1.5	24.5	35
GKS-10x27m	10	5/8	15.9	M27 x 1.5	25.5	35
GKS-10x30m	10	5/8	15.9	M30 x 1.5 or 2.0	28.5 or 28.0	38
GKS-12x30m	12	3/4	19.1	M30 x 1.5 or 2.0	28.5 or 28.0	38
GKS-12x33m	12	3/4	19.1	M33 x 1.5 or 2.0	31.5 or 31.0	41.5
GKS-12x36m	12	3/4	19.1	M36 x 1.5 or 2.0	34.5 or 34.0	45
GKS-16x33m	16	1	25.4	M33 x 1.5 or 2.0	31.5 or 31.0	41.5
GKS-16x36m	16	1	25.4	M36 x 1.5 or 2.0	34.5 or 34.0	45
GKS-20x36m	20	1 1/4	31.8	M36 x 1.5 or 2.0	34.5 or 34.0	45
GKS-24x42m	24	1 1/2	38.1	M42 x 1.5 or 2.0	40.5 or 40.0	51

GKS

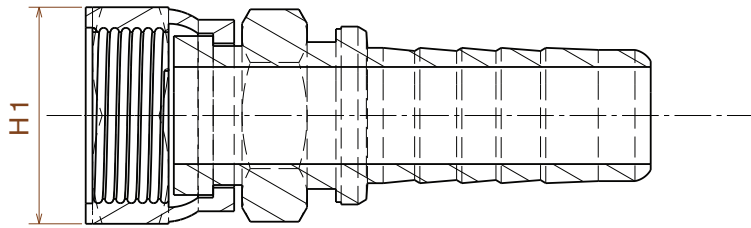
Female Komatsu 30° Flare / 90° Elbow



Part Number	Dash number	Hose Bore		Thread	Thread	Dimension H1
		inch	mm		I.D. (mm)	
GKS-04x10m	04	1/4	6.4	M10 x 1.5	8.5	16
GKS-04x12m	04	1/4	6.4	M12 x 1.5	10.5	15
GKS-04x14m	04	1/4	6.4	M14 x 1.5	12.5	19
GKS-04x16m	04	1/4	6.4	M16 x 1.5	14.5	20.7
GKS-04x18m	04	1/4	6.4	M18 x 1.5	16.5	24
GKS-06x14m	06	3/8	9.5	M14 x 1.5	12.5	19
GKS-06x16m	06	3/8	9.5	M16 x 1.5	14.5	20.7
GKS-06x18m	06	3/8	9.5	M18 x 1.5	16.5	24
GKS-06x20m	06	3/8	9.5	M20 x 1.5	18.5	25.4
GKS-06x22m	06	3/8	9.5	M22 x 1.5	20.5	27
GKS-08x16m	08	1/2	12.7	M16 x 1.5	14.5	20.7
GKS-08x18m	08	1/2	12.7	M18 x 1.5	16.5	24
GKS-08x20m	08	1/2	12.7	M20 x 1.5	18.5	25.4
GKS-08x22m	08	1/2	12.7	M22 x 1.5	20.5	27
GKS-08x24m	08	1/2	12.7	M24 x 1.5	22.5	30
GKS-10x22m	10	5/8	15.9	M22 x 1.5	20.5	27
GKS-10x24m	10	5/8	15.9	M24 x 1.5	22.5	30
GKS-10x26m	10	5/8	15.9	M26 x 1.5	24.5	35
GKS-10x27m	10	5/8	15.9	M27 x 1.5	25.5	35
GKS-10x30m	10	5/8	15.9	M30 x 1.5 or 2.0	28.5 or 28.0	38
GKS-12x30m	12	3/4	19.1	M30 x 1.5 or 2.0	28.5 or 28.0	38
GKS-12x33m	12	3/4	19.1	M33 x 1.5 or 2.0	31.5 or 31.0	41.5
GKS-12x36m	12	3/4	19.1	M36 x 1.5 or 2.0	34.5 or 34.0	45
GKS-16x33m	16	1	25.4	M33 x 1.5 or 2.0	31.5 or 31.0	41.5
GKS-16x36m	16	1	25.4	M36 x 1.5 or 2.0	34.5 or 34.0	45
GKS-20x36m	20	1 1/4	31.8	M36 x 1.5 or 2.0	34.5 or 34.0	45
GKS-24x42m	24	1 1/2	38.1	M42 x 1.5 or 2.0	40.5 or 40.0	51

GKSF

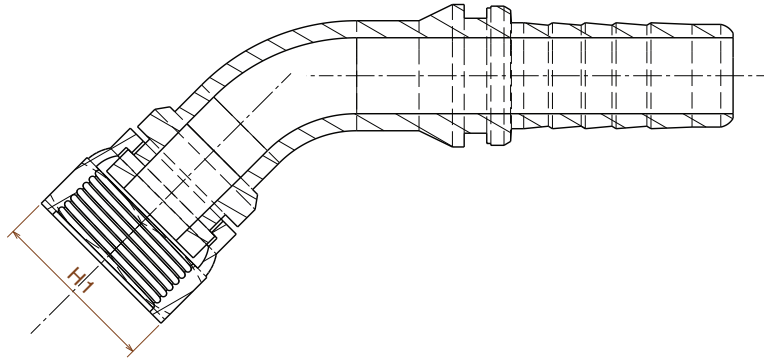
Female Flat Face Port with Metric Threads ISO 9974-1



Part Number	Dash number	Hose Bore		Thread	Thread	Dimension
		inch	mm		I.D. (mm)	H1
GKSF-04x10m	04	1/4	6.4	M10 x 1.5	8.5	16
GKSF-04x12m	04	1/4	6.4	M12 x 1.5	10.5	15
GKSF-04x14m	04	1/4	6.4	M14 x 1.5	12.5	19
GKSF-04x16m	04	1/4	6.4	M16 x 1.5	14.5	20.7
GKSF-04x18m	04	1/4	6.4	M18 x 1.5	16.5	24
GKSF-06x14m	06	3/8	9.5	M14 x 1.5	12.5	19
GKSF-06x16m	06	3/8	9.5	M16 x 1.5	14.5	20.7
GKSF-06x18m	06	3/8	9.5	M18 x 1.5	16.5	24
GKSF-06x20m	06	3/8	9.5	M20 x 1.5	18.5	25.4
GKSF-06x22m	06	3/8	9.5	M22 x 1.5	20.5	27
GKSF-08x16m	08	1/2	12.7	M16 x 1.5	14.5	20.7
GKSF-08x18m	08	1/2	12.7	M18 x 1.5	16.5	24
GKSF-08x20m	08	1/2	12.7	M20 x 1.5	18.5	25.4
GKSF-08x22m	08	1/2	12.7	M22 x 1.5	20.5	27
GKSF-08x24m	08	1/2	12.7	M24 x 1.5	22.5	30
GKSF-10x22m	10	5/8	15.9	M22 x 1.5	20.5	27
GKSF-10x24m	10	5/8	15.9	M24 x 1.5	22.5	30
GKSF-10x26m	10	5/8	15.9	M26 x 1.5	24.5	35
GKSF-10x27m	10	5/8	15.9	M27 x 1.5	25.5	35
GKSF-10x30m	10	5/8	15.9	M30 x 1.5 or 2.0	28.5 or 28.0	38
GKSF-12x30m	12	3/4	19.1	M30 x 1.5 or 2.0	28.5 or 28.0	38
GKSF-12x33m	12	3/4	19.1	M33 x 1.5 or 2.0	31.5 or 31.0	41.5
GKSF-12x36m	12	3/4	19.1	M36 x 1.5 or 2.0	34.5 or 34.0	45
GKSF-16x33m	16	1	25.4	M33 x 1.5 or 2.0	31.5 or 31.0	41.5
GKSF-16x36m	16	1	25.4	M36 x 1.5 or 2.0	34.5 or 34.0	45
GKSF-20x36m	20	1 1/4	31.8	M36 x 1.5 or 2.0	34.5 or 34.0	45
GKSF-24x42m	24	1 1/2	38.1	M42 x 1.5 or 2.0	40.5 or 40.0	51

GKSF

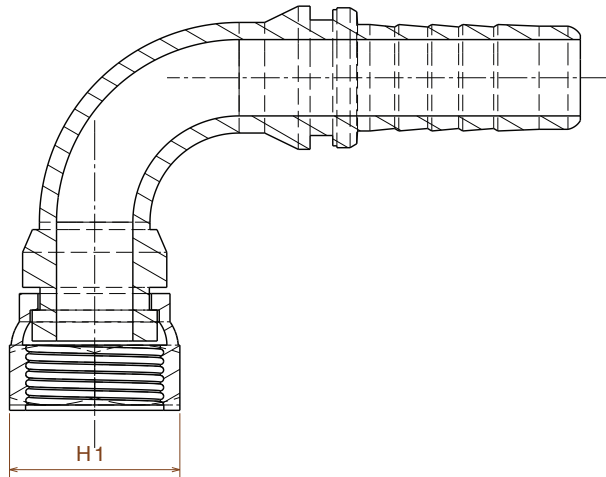
Female Flat Face Port with Metric Threads
ISO 9974-1/ 45° Elbow



Part Number	Dash number	Hose Bore		Thread	Thread	Dimension
		inch	mm		I.D. (mm)	H1
GKSF-04x10m	04	1/4	6.4	M10 x 1.5	8.5	16
GKSF-04x12m	04	1/4	6.4	M12 x 1.5	10.5	15
GKSF-04x14m	04	1/4	6.4	M14 x 1.5	12.5	19
GKSF-04x16m	04	1/4	6.4	M16 x 1.5	14.5	20.7
GKSF-04x18m	04	1/4	6.4	M18 x 1.5	16.5	24
GKSF-06x14m	06	3/8	9.5	M14 x 1.5	12.5	19
GKSF-06x16m	06	3/8	9.5	M16 x 1.5	14.5	20.7
GKSF-06x18m	06	3/8	9.5	M18 x 1.5	16.5	24
GKSF-06x20m	06	3/8	9.5	M20 x 1.5	18.5	25.4
GKSF-06x22m	06	3/8	9.5	M22 x 1.5	20.5	27
GKSF-08x16m	08	1/2	12.7	M16 x 1.5	14.5	20.7
GKSF-08x18m	08	1/2	12.7	M18 x 1.5	16.5	24
GKSF-08x20m	08	1/2	12.7	M20 x 1.5	18.5	25.4
GKSF-08x22m	08	1/2	12.7	M22 x 1.5	20.5	27
GKSF-08x24m	08	1/2	12.7	M24 x 1.5	22.5	30
GKSF-10x22m	10	5/8	15.9	M22 x 1.5	20.5	27
GKSF-10x24m	10	5/8	15.9	M24 x 1.5	22.5	30
GKSF-10x26m	10	5/8	15.9	M26 x 1.5	24.5	35
GKSF-10x27m	10	5/8	15.9	M27 x 1.5	25.5	35
GKSF-10x30m	10	5/8	15.9	M30 x 1.5 or 2.0	28.5 or 28.0	38
GKSF-12x30m	12	3/4	19.1	M30 x 1.5 or 2.0	28.5 or 28.0	38
GKSF-12x33m	12	3/4	19.1	M33 x 1.5 or 2.0	31.5 or 31.0	41.5
GKSF-12x36m	12	3/4	19.1	M36 x 1.5 or 2.0	34.5 or 34.0	45
GKSF-16x33m	16	1	25.4	M33 x 1.5 or 2.0	31.5 or 31.0	41.5
GKSF-16x36m	16	1	25.4	M36 x 1.5 or 2.0	34.5 or 34.0	45
GKSF-20x36m	20	1 1/4	31.8	M36 x 1.5 or 2.0	34.5 or 34.0	45
GKSF-24x42m	24	1 1/2	38.1	M42 x 1.5 or 2.0	40.5 or 40.0	51

GKSF

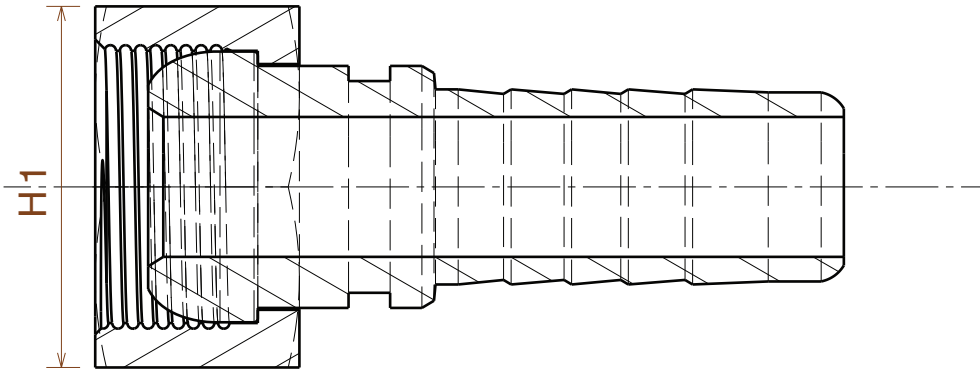
Female Flat Face Port with Metric Threads
ISO 9974-1/ 90° Elbow



Part Number	Dash number	Hose Bore		Thread	Thread	Dimension
		inch	mm		I.D. (mm)	H1
GKSF-04x10m	04	1/4	6.4	M10 x 1.5	8.5	16
GKSF-04x12m	04	1/4	6.4	M12 x 1.5	10.5	15
GKSF-04x14m	04	1/4	6.4	M14 x 1.5	12.5	19
GKSF-04x16m	04	1/4	6.4	M16 x 1.5	14.5	20.7
GKSF-04x18m	04	1/4	6.4	M18 x 1.5	16.5	24
GKSF-06x14m	06	3/8	9.5	M14 x 1.5	12.5	19
GKSF-06x16m	06	3/8	9.5	M16 x 1.5	14.5	20.7
GKSF-06x18m	06	3/8	9.5	M18 x 1.5	16.5	24
GKSF-06x20m	06	3/8	9.5	M20 x 1.5	18.5	25.4
GKSF-06x22m	06	3/8	9.5	M22 x 1.5	20.5	27
GKSF-08x16m	08	1/2	12.7	M16 x 1.5	14.5	20.7
GKSF-08x18m	08	1/2	12.7	M18 x 1.5	16.5	24
GKSF-08x20m	08	1/2	12.7	M20 x 1.5	18.5	25.4
GKSF-08x22m	08	1/2	12.7	M22 x 1.5	20.5	27
GKSF-08x24m	08	1/2	12.7	M24 x 1.5	22.5	30
GKSF-10x22m	10	5/8	15.9	M22 x 1.5	20.5	27
GKSF-10x24m	10	5/8	15.9	M24 x 1.5	22.5	30
GKSF-10x26m	10	5/8	15.9	M26 x 1.5	24.5	35
GKSF-10x27m	10	5/8	15.9	M27 x 1.5	25.5	35
GKSF-10x30m	10	5/8	15.9	M30 x 1.5 or 2.0	28.5 or 28.0	38
GKSF-12x30m	12	3/4	19.1	M30 x 1.5 or 2.0	28.5 or 28.0	38
GKSF-12x33m	12	3/4	19.1	M33 x 1.5 or 2.0	31.5 or 31.0	41.5
GKSF-12x36m	12	3/4	19.1	M36 x 1.5 or 2.0	34.5 or 34.0	45
GKSF-16x33m	16	1	25.4	M33 x 1.5 or 2.0	31.5 or 31.0	41.5
GKSF-16x36m	16	1	25.4	M36 x 1.5 or 2.0	34.5 or 34.0	45
GKSF-20x36m	20	1 1/4	31.8	M36 x 1.5 or 2.0	34.5 or 34.0	45
GKSF-24x42m	24	1 1/2	38.1	M42 x 1.5 or 2.0	40.5 or 40.0	51

GZIS

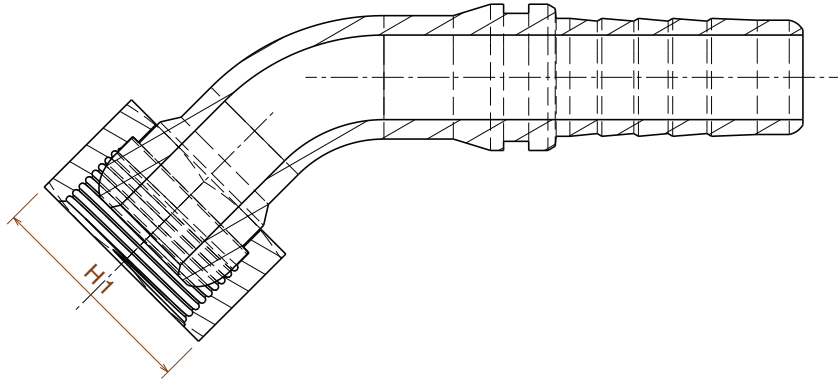
Female Universal Straight Tapered Nipple for Connector with 60° Cone



Part Number	Dash number	Hose Bore		Thread	Thread	Dimension H1
		inch	mm		I.D. (mm)	
GZIS-04x10m	04	1/4	6.4	M10 x 1.0 or 1.5	9.0 or 8.5	17
GZIS04x12m	04	1/4	6.4	M12 x 1.0 or 1.5	11.0 or 10.5	17
GZIS-04x14m	04	1/4	6.4	M14 x 1.5	12.5	17
GZIS-04x16m	04	1/4	6.4	M16 x 1.5	14.5	19
GZIS-04x18m	04	1/4	6.4	M18 x 1.5	16.5	22
GZIS-04x20m	04	1/4	6.4	M18 x 1.5	16.5	24
GZIS-06x14m	06	3/8	9.5	M14 x 1.5	12.5	19
GZIS-06x16m	06	3/8	9.5	M16 x 1.5	14.5	20.7
GZIS-06x18m	06	3/8	9.5	M18 x 1.5	16.5	22
GZIS-06x20m	06	3/8	9.5	M20 x 1.5	18.5	24
GZIS-06x22m	06	3/8	9.5	M22 x 1.5	20.5	27
GZIS-08x16m	08	1/2	12.7	M16 x 1.5	14.5	20.7
GZIS-08x18m	08	1/2	12.7	M18 x 1.5	16.5	24
GZIS-08x20m	08	1/2	12.7	M20 x 1.5	18.5	25.4
GZIS-08x22m	08	1/2	12.7	M22 x 1.5	20.5	27
GZIS-08x24m	08	1/2	12.7	M24 x 1.5	22.5	28.5
GZIS-08x26m	08	1/2	12.7	M26 x 1.5	24.5	32
GZIS-10x26m	10	5/8	15.9	M26 x 1.5	24.5	32
GZIS-10x27m	10	5/8	15.9	M27 x 1.5	25.5	35
GZIS-10x28m	10	5/8	15.9	M28 x 1.5	26.5	35
GZIS-10x30m	10	5/8	15.9	M30 x 1.5 or 2.0	28.5 or 28.0	35
GZIS-12x26m	12	3/4	19.1	M26 x 1.5	24.5	32
GZIS-12x27m	12	3/4	19.1	M27 x 1.5	25.5	35
GZIS-12x28m	12	3/4	19.1	M28 x 1.5	26.5	35
GZIS-12x30m	12	3/4	19.1	M30 x 1.5 or 2.0	28.5 or 28.0	35
GZIS-12x36m	12	3/4	19.1	M36 x 1.5 or 2.0	34.5 or 34.0	41.5
GZIS-16x36m	16	1	25.4	M36 x 1.5 or 2.0	34.5 or 34.0	41.5
GZIS-16x38m	16	1	25.4	M38 x 1.5 or 2.0	36.5 or 36.0	48
GZIS-20x45m	20	1 1/4	31.8	M45 x 1.5 or 2.0	43.5 or 43.0	60

GZIS

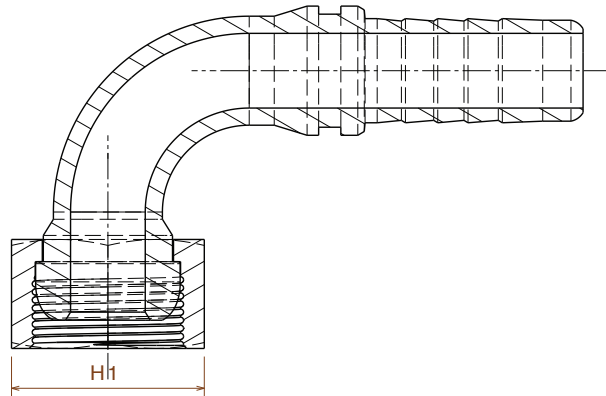
Female Universal Straight Tapered Nipple for Connector with 60° Cone/ 45° Elbow



Part Number	Dash number	Hose Bore		Thread	Thread	Dimension H1
		inch	mm		I.D. (mm)	
GZIS-04x10m	04	1/4	6.4	M10 x 1.0 or 1.5	9.0 or 8.5	17
GZIS04x12m	04	1/4	6.4	M12 x 1.0 or 1.5	11.0 or 10.5	17
GZIS-04x14m	04	1/4	6.4	M14 x 1.5	12.5	17
GZIS-04x16m	04	1/4	6.4	M16 x 1.5	14.5	19
GZIS-04x18m	04	1/4	6.4	M18 x 1.5	16.5	22
GZIS-04x20m	04	1/4	6.4	M18 x 1.5	16.5	24
GZIS-06x14m	06	3/8	9.5	M14 x 1.5	12.5	19
GZIS-06x16m	06	3/8	9.5	M16 x 1.5	14.5	20.7
GZIS-06x18m	06	3/8	9.5	M18 x 1.5	16.5	22
GZIS-06x20m	06	3/8	9.5	M20 x 1.5	18.5	24
GZIS-06x22m	06	3/8	9.5	M22 x 1.5	20.5	27
GZIS-08x16m	08	1/2	12.7	M16 x 1.5	14.5	20.7
GZIS-08x18m	08	1/2	12.7	M18 x 1.5	16.5	24
GZIS-08x20m	08	1/2	12.7	M20 x 1.5	18.5	25.4
GZIS-08x22m	08	1/2	12.7	M22 x 1.5	20.5	27
GZIS-08x24m	08	1/2	12.7	M24 x 1.5	22.5	28.5
GZIS-08x26m	08	1/2	12.7	M26 x 1.5	24.5	32
GZIS-10x26m	10	5/8	15.9	M26 x 1.5	24.5	32
GZIS-10x27m	10	5/8	15.9	M27 x 1.5	25.5	35
GZIS-10x28m	10	5/8	15.9	M28 x 1.5	26.5	35
GZIS-10x30m	10	5/8	15.9	M30 x 1.5 or 2.0	28.5 or 28.0	35
GZIS-12x26m	12	3/4	19.1	M26 x 1.5	24.5	32
GZIS-12x27m	12	3/4	19.1	M27 x 1.5	25.5	35
GZIS-12x28m	12	3/4	19.1	M28 x 1.5	26.5	35
GZIS-12x30m	12	3/4	19.1	M30 x 1.5 or 2.0	28.5 or 28.0	35
GZIS-12x36m	12	3/4	19.1	M36 x 1.5 or 2.0	34.5 or 34.0	41.5
GZIS-16x36m	16	1	25.4	M36 x 1.5 or 2.0	34.5 or 34.0	41.5
GZIS-16x38m	16	1	25.4	M38 x 1.5 or 2.0	36.5 or 36.0	48
GZIS-20x45m	20	1 1/4	31.8	M45 x 1.5 or 2.0	43.5 or 43.0	60

GZIS

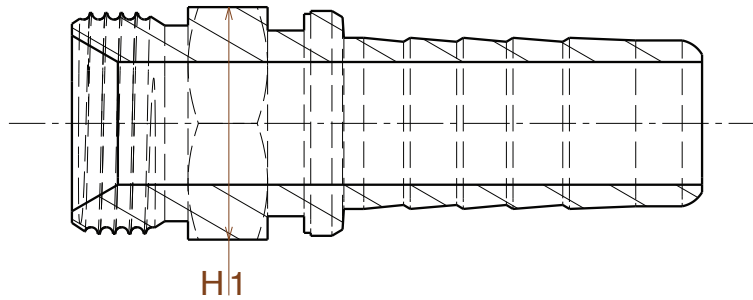
Female Universal Straight Tapered Nipple for Connector with 60° Cone/ 90° Elbow



Part Number	Dash number	Hose Bore		Thread	Thread	Dimension H1
		inch	mm		I.D. (mm)	
GZIS-04x10m	04	1/4	6.4	M10 x 1.0 or 1.5	9.0 or 8.5	17
GZIS04x12m	04	1/4	6.4	M12 x 1.0 or 1.5	11.0 or 10.5	17
GZIS-04x14m	04	1/4	6.4	M14 x 1.5	12.5	17
GZIS-04x16m	04	1/4	6.4	M16 x 1.5	14.5	19
GZIS-04x18m	04	1/4	6.4	M18 x 1.5	16.5	22
GZIS-04x20m	04	1/4	6.4	M18 x 1.5	16.5	24
GZIS-06x14m	06	3/8	9.5	M14 x 1.5	12.5	19
GZIS-06x16m	06	3/8	9.5	M16 x 1.5	14.5	20.7
GZIS-06x18m	06	3/8	9.5	M18 x 1.5	16.5	22
GZIS-06x20m	06	3/8	9.5	M20 x 1.5	18.5	24
GZIS-06x22m	06	3/8	9.5	M22 x 1.5	20.5	27
GZIS-08x16m	08	1/2	12.7	M16 x 1.5	14.5	20.7
GZIS-08x18m	08	1/2	12.7	M18 x 1.5	16.5	24
GZIS-08x20m	08	1/2	12.7	M20 x 1.5	18.5	25.4
GZIS-08x22m	08	1/2	12.7	M22 x 1.5	20.5	27
GZIS-08x24m	08	1/2	12.7	M24 x 1.5	22.5	28.5
GZIS-08x26m	08	1/2	12.7	M26 x 1.5	24.5	32
GZIS-10x26m	10	5/8	15.9	M26 x 1.5	24.5	32
GZIS-10x27m	10	5/8	15.9	M27 x 1.5	25.5	35
GZIS-10x28m	10	5/8	15.9	M28 x 1.5	26.5	35
GZIS-10x30m	10	5/8	15.9	M30 x 1.5 or 2.0	28.5 or 28.0	35
GZIS-12x26m	12	3/4	19.1	M26 x 1.5	24.5	32
GZIS-12x27m	12	3/4	19.1	M27 x 1.5	25.5	35
GZIS-12x28m	12	3/4	19.1	M28 x 1.5	26.5	35
GZIS-12x30m	12	3/4	19.1	M30 x 1.5 or 2.0	28.5 or 28.0	35
GZIS-12x36m	12	3/4	19.1	M36 x 1.5 or 2.0	34.5 or 34.0	41.5
GZIS-16x36m	16	1	25.4	M36 x 1.5 or 2.0	34.5 or 34.0	41.5
GZIS-16x38m	16	1	25.4	M38 x 1.5 or 2.0	36.5 or 36.0	48
GZIS-20x45m	20	1 1/4	31.8	M45 x 1.5 or 2.0	43.5 or 43.0	60

GBMT

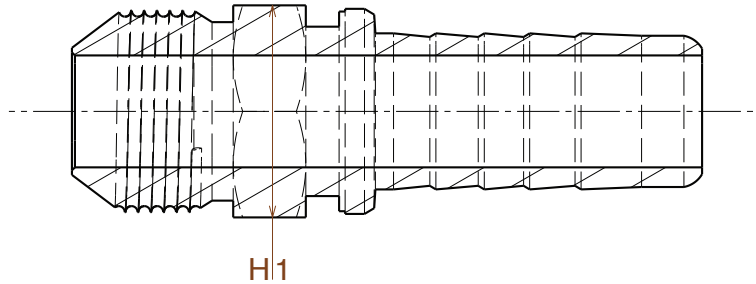
Male British Standard Pipe Taper (BSPT)



Part Number	Dash number	Hose Bore		Thread	Thread	Dimension
		inch	mm		O.D. (mm)	H1
GBMT-0404	04	1/4	6.4	1/4" - 19 BSPT	13.1	14
GBMT-0406	04	1/4	6.4	3/8" - 19 BSPT	16.7	17
GBMT-0604	06	3/8	9.5	1/4" - 19 BSPT	13.1	16
GBMT-0606	06	3/8	9.5	3/8" - 19 BSPT	16.7	17
GBMT-0608	06	3/8	9.5	1/2" - 14 BSPT	20.6	22
GBMT-0806	08	1/2	12.7	3/8" - 19 BSPT	16.7	22
GBMT-0808	08	1/2	12.7	1/2" - 14 BSPT	20.6	22
GBMT-0810	08	1/2	12.7	5/8" - 14 BSPT	22.2	24
GBMT-0812	08	1/2	12.7	3/4" - 14 BSPT	26.2	29
GBMT-1008	10	5/8	15.9	1/2" - 14 BSPT	20.6	22
GBMT-1010	10	5/8	15.9	5/8" - 14 BSPT	22.2	24
GBMT-1012	10	5/8	15.9	3/4" - 14 BSPT	26.2	28.5
GBMT-1016	10	5/8	15.9	1" - 11 BSPT	33.3	35
GBMT-1208	12	3/4	19.1	1/2" - 14 BSPT	20.6	25.4
GBMT-1210	12	3/4	19.1	5/8" - 14 BSPT	22.2	27
GBMT-1212	12	3/4	19.1	3/4" - 14 BSPT	26.2	28.5
GBMT-1216	12	3/4	19.1	1" - 11 BSPT	33.3	35
GBMT-1612	16	1	25.4	3/4" - 14 BSPT	26.2	35
GBMT-1616	16	1	25.4	1" - 11 BSPT	33.3	35
GBMT-1620	16	1	25.4	1/4" - 11 BSP	42.1	45
GBMT-2016	20	1 1/4	31.8	1" - 11 BSPT	33.3	45
GBMT-2020	20	1 1/4	31.8	1/4" - 11 BSP	42.1	45
GBMT-2024	20	1 1/4	31.8	1/2" - 11 BSP	47.6	51
GBMT-2424	24	1 1/2	38.1	1/2" - 11 BSP	47.6	51
GBMT-2432	24	1 1/2	38.1	2" - 11 BSPT	59.5	63.5
GBMT-3232	32	2	50.8	2" - 11 BSPT	59.5	3.5

GJM

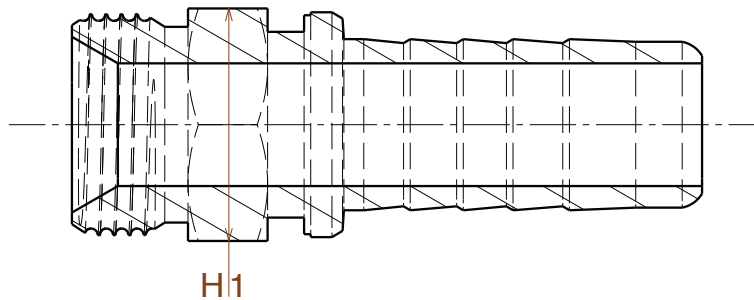
Male JIC 37° Flare (SAE JS14)



Part Number	Dash number	Hose Bore		Thread	Thread	Dimension
		inch	mm		O.D. (mm)	H1
GJM-0404	04	1/4	6.4	7/16" - 20 UNF	11.1	14
GJM-0406	04	1/4	6.4	9/16" - 18 UNF	14.3	16
GJM-0604	06	3/8	9.5	7/16" - 20 UNF	11.1	16
GJM-0606	06	3/8	9.5	9/16" - 18 UNF	14.3	16
GJM-0608	06	3/8	9.5	3/4" - 16 UNF	19.1	19
GJM-0808	08	1/2	12.7	3/4" - 16 UNF	19.1	19
GJM-0810	08	1/2	12.7	7/8" - 14 UNF	22.2	24
GJM-0812	08	1/2	12.7	1 1/16" - 12 UNF	27.0	29
GJM-1008	10	5/8	15.9	3/4" - 16 UNF	19.1	22
GJM-1010	10	5/8	15.9	7/8" - 14 UNF	22.2	24
GJM-1012	10	5/8	15.9	1 1/16" - 12 UNF	27.0	28.5
GJM-1212	12	3/4	19.1	1 1/16" - 12 UNF	27.0	28.5
GJM-1216	12	3/4	19.1	1 5/16" - 12 UNF	33.3	35
GJM-1612	16	1	25.4	1 1/16" - 12 UNF	27.0	35
GJM-1616	16	1	25.4	1 5/16" - 12 UNF	33.3	35
GJM-1620	16	1	25.4	1 5/8" - 12 UNF	41.3	45
GJM-2020	20	1 1/4	31.8	1 5/8" - 12 UNF	41.3	45
GJM-2024	20	1 1/4	31.8	1 7/8" - 12 UNF	47.6	50.7
GJM-2424	24	1 1/2	38.1	1 7/8" - 12 UNF	47.6	50.7
GJM-2432	24	1 1/2	38.1	2 1/2" - 12 UNF	63.5	63.5
GJM-3232	32	2	50.8	2 1/2" - 12 UNF	63.5	63.5

GBM

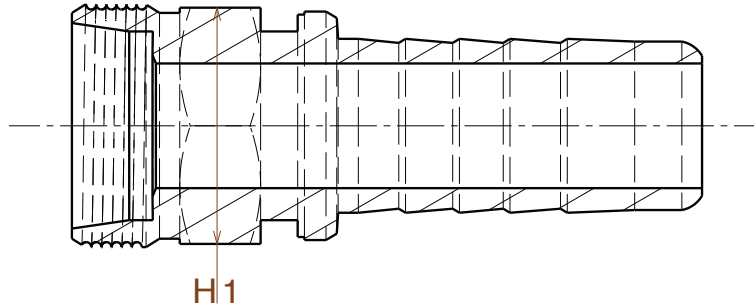
Male British Standard Pipe Taper 30° Flare (BSPT)



Part Number	Dash number	Hose Bore		Thread	Thread	Dimension
		inch	mm		O.D. (mm)	H1
GBM-0404	04	1/4	6.4	1/4" - 19 BSPP	13.1	14.0
GBM-0406	04	1/4	6.4	3/8" - 19 BSPP	16.7	17.0
GBM-0606	06	3/8	9.5	3/8" - 19 BSPP	16.7	17.0
GBM-0608	06	3/8	9.5	1/2" - 14 BSPP	20.6	22.0
GBM-0808	08	1/2	12.7	1/2" - 14 BSPP	20.6	22.0
GBM-0812	08	1/2	12.7	3/4" - 14 BSPP	26.2	29.0
GBM-1010	10	5/8	15.9	5/8" - 14 BSPP	22.2	24.0
GBM-1012	10	5/8	15.9	3/4" - 14 BSPP	26.2	28.5
GBM-1212	12	3/4	19.1	3/4" - 14 BSPP	26.2	28.5
GBM-1216	12	3/4	19.1	1" - 11 BSPP	33.3	35.0
GBM-1616	16	1	25.4	1" - 11 BSPP	33.3	35.0
GBM-1620	16	1	25.4	1 1/4" - 11 BSPP	42.1	45.0
GBM-2020	20	1 1/4	31.8	1 1/4" - 11 BSPP	42.1	45.0
GBM-2024	20	1 1/4	31.8	1 1/2" - 11 BSPP	47.6	50.7
GBM-2424	24	1 1/2	38.1	1 1/2" - 11 BSPP	47.6	50.7
GBM-2432	24	1 1/2	38.1	2" - 11 BSPP	59.5	63.5
GBM-3232	32	2	50.8	2" - 11 BSPP	59.5	63.5

GKC

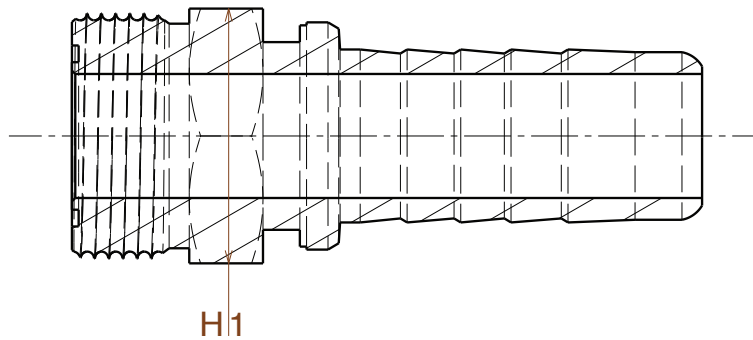
Male Kobelco Style 12° Seat



Part Number	Dash number	Hose Bore		Thread	Thread	Dimension H1
		inch	mm		O.D. (mm)	
GKC-04x12mP6	04	1/4	6.4	M12 x 1.5	12.0	14.0
GKC-04x14mP8	04	1/4	6.4	M14 x 1.5	14.0	16.0
GKC-04x16mP10	04	1/4	6.4	M16 x 1.5	16.0	17.0
GKC-04x18mP12	04	1/4	6.4	M18 x 1.5	18.0	19.0
GKC-04x20mP12	04	1/4	6.4	M20 x 1.5	20.0	21.0
GKC-06x14mP8	06	3/8	9.5	M14 x 1.5	14.0	16.0
GKC-06x16mP10	06	3/8	9.5	M16 x 1.5	16.0	19.0
GKC-06x18mP12	06	3/8	9.5	M18 x 1.5	18.0	19.0
GKC-06x20mP12	06	3/8	9.5	M20 x 1.5	20.0	22.0
GKC-06x22mP15	06	3/8	9.5	M22 x 1.5	22.0	24.0
GKC-08x18mP12	08	1/2	12.7	M18 x 1.5	18.0	22.0
GKC-08x20mP12	08	1/2	12.7	M20 x 1.5	20.0	21.0
GKC-08x22mP15	08	1/2	12.7	M22 x 1.5	22.0	24.0
GKC-08x24mP16	08	1/2	12.7	M24 x 1.5	24.0	27.0
GKC-08x26mP18	08	1/2	12.7	M26 x 1.5	26.0	27.0
GKC-08x30mP22	08	1/2	12.7	M30 x 1.5 or 2.0	30.0	32.0
GKC-10x24mP16	10	5/8	15.9	M24 x 1.5	24.0	27.0
GKC-10x26mP18	10	5/8	15.9	M26 x 1.5	26.0	27.0
GKC-10x28mP20	10	5/8	15.9	M28 x 1.5	28.0	32.0
GKC-10x30mP22	10	5/8	15.9	M30 x 1.5 or 2.0	30.0	32.0
GKC-10x30mP20	10	5/8	15.9	M30 x 1.5 or 2.0	30.0	32.0
GKC-10x36mP28	10	5/8	15.9	M36 x 1.5 or 2.0	36.0	38.0
GKC-12x30mP22	12	3/4	19.1	M30 x 1.5 or 2.0	30.0	32.0
GKC-12x30mP20	12	3/4	19.1	M30 x 1.5 or 2.0	30.0	32.0
GKC-12x34mP25	12	3/4	19.1	M34 x 1.5 or 2.0	34.0	38.0
GKC-12x36mP25	12	3/4	19.1	M36 x 1.5 or 2.0	36.0	38.0
GKC-12x36mP28	12	3/4	19.1	M36 x 1.5 or 2.0	36.0	38.0
GKC-12x45mP35	12	3/4	19.1	M45 x 1.5 or 2.0	45.0	48.0
GKC-16x36mP28	16	1	25.4	M36 x 1.5 or 2.0	36.0	38.0
GKC-16x36mP25	16	1	25.4	M36 x 1.5 or 2.0	36.0	38.0
GKC-16x42mP30	16	1	25.4	M42 x 1.5 or 2.0	42.0	45.0
GKC-16x45mP35	16	1	25.4	M45 x 1.5 or 2.0	45.0	48.0
GKC-20x42mP30	20	1 1/4	31.8	M42 x 1.5 or 2.0	42.0	45.0
GKC-20x45mP35	20	1 1/4	31.8	M45 x 1.5 or 2.0	45.0	48.0
GKC-20x52mP38	20	1 1/4	31.8	M52 x 1.5 or 2.0	52.0	57.0
GKC-20x52mP42	20	1 1/4	31.8	M52 x 1.5 or 2.0	52.0	57.0
GKC-24x52mP38	24	1 1/2	38.1	M52 x 1.5 or 2.0	52.0	57.0
GKC-24x52mP42	24	1 1/2	38.1	M52 x 1.5 or 2.0	52.0	57.0

GORM

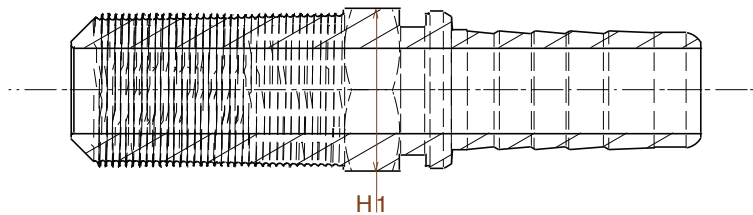
Male O-Ring Face Seal
(SAE J1453)



Part Number	Dash number	Hose Bore		Thread	Thread	Dimension
		inch	mm		O.D. (mm)	H1
GORM-0404	04	1/4	6.4	9/16" - 18	14.3	16
GORM-0606	06	3/8	9.5	11/16" - 16	17.5	22
GORM-0608	06	3/8	9.5	13/16" - 16	20.6	22
GORM-0808	08	1/2	12.7	13/16" - 16	20.6	24
GORM-1010	10	5/8	15.9	1" - 14	25.4	27
GORM-1012	10	5/8	15.9	1 3/16" - 12	30.2	32
GORM-1212	12	3/4	19.1	1 3/16" - 12	30.2	32
GORM-1616	16	1	25.4	1 7/16" - 12	36.5	38
GORM-2020	20	1 1/4	31.8	1 11/16" - 12	42.9	45

GKME

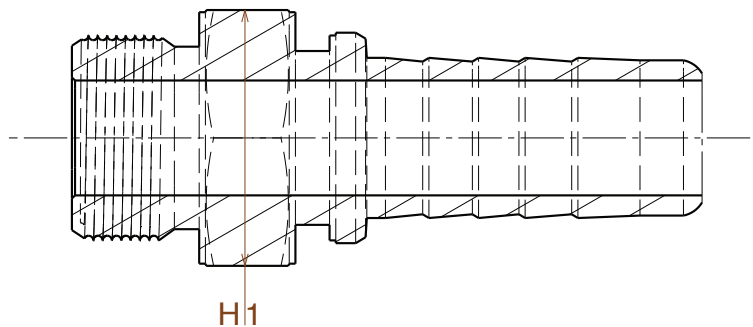
Male Metric 45° Flare Extended



Part Number	Dash number	Hose Bore		Thread	Thread	Dimension
		inch	mm		O.D. (mm)	H1
GKME-04x10m	04	1/4	6.4	M10 x 1.0 or 1.5	10.0	16.0
GKME-04x12m	04	1/4	6.4	M10 x 1.0 or 1.5	10.0	17.0
GKME-04x14m	04	1/4	6.4	M14 x 1.5	14.0	17.0
GKME-04x16m	04	1/4	6.4	M16 x 1.5	16.0	19.0
GKME-04x18m	04	1/4	6.4	M18 x 1.5	18.0	20.5
GKME-04x20m	04	1/4	6.4	M20 x 1.5	20.0	22.0
GKME-06x12m	06	3/8	9.5	M12 x 1.5	12.0	17.0
GKME-06x14m	06	3/8	9.5	M14 x 1.5	14.0	17.0
GKME-06x16m	06	3/8	9.5	M16 x 1.5	16.0	19.0
GKME-06x18m	06	3/8	9.5	M18 x 1.5	18.0	20.5
GKME-06x20m	06	3/8	9.5	M20 x 1.5	20.0	24.0
GKME-06x22m	06	3/8	9.5	M22 x 1.5	22.0	25.4
GKME-06x24m	06	3/8	9.5	M24 x 1.5	24.0	25.4
GKME-08x16m	08	1/2	12.7	M16 x 1.5	16.0	19.0
GKME-08x18m	08	1/2	12.7	M18 x 1.5	18.0	20.5
GKME-08x20m	08	1/2	12.7	M20 x 1.5	20.0	24.0
GKME-08x22m	08	1/2	12.7	M22 x 1.5	22.0	25.4
GKME-08x24m	08	1/2	12.7	M24 x 1.5	24.0	25.4
GKME-08x26m	08	1/2	12.7	M26 x 1.5	26.0	30.0
GKME-08x30m	08	1/2	12.7	M30 x 1.5	30.0	32.0
GKME-10x22m	10	5/8	15.9	M22 x 1.5	22.0	27.0
GKME-10x24m	10	5/8	15.9	M24 x 1.5	24.0	27.0
GKME-10x30m	10	5/8	15.9	M30 x 1.5	30.0	32.0

GKMO

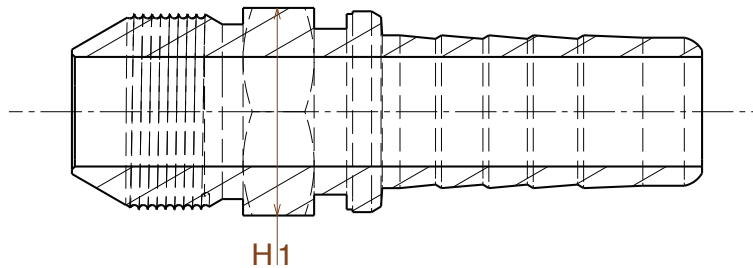
Male Universal Straight Taper Nipple for Connector



Part Number	Dash number	Hose Bore		Thread	Thread	Dimension
		inch	mm		O.D. (mm)	H1
GKMO-04x10m	04	1/4	6.4	M10 x 1.0 or 1.5	10.0	16.0
GKMO-04x12m	04	1/4	6.4	M10 x 1.0 or 1.5	10.0	17.0
GKMO-04x14m	04	1/4	6.4	M14 x 1.5	14.0	17.0
GKMO-04x16m	04	1/4	6.4	M16 x 1.5	16.0	21.0
GKMO-04x18m	04	1/4	6.4	M18 x 1.5	18.0	24.0
GKMO-04x20m	04	1/4	6.4	M20 x 1.5	20.0	22.0
GKMO-04x22m	04	1/4	6.4	M22 x 1.5	22.0	24.0
GKMO-06x14m	06	3/8	9.5	M14 x 1.5	14.0	21.0
GKMO-06x16m	06	3/8	9.5	M16 x 1.5	16.0	22.0
GKMO-06x18m	06	3/8	9.5	M18 x 1.5	18.0	24.0
GKMO-06x22m	06	3/8	9.5	M22 x 1.5	22.0	27.0
GKMO-08x16m	08	1/2	12.7	M16 x 1.5	16.0	22.0
GKMO-08x18m	08	1/2	12.7	M18 x 1.5	18.0	25.4
GKMO-08x20m	08	1/2	12.7	M20 x 1.5	20.0	25.4
GKMO-08x22m	08	1/2	12.7	M22 x 1.5	22.0	30.0
GKMO-08x24m	08	1/2	12.7	M24 x 1.5	24.0	30.0
GKMO-10x20m	10	5/8	15.9	M20 x 1.5	20.0	28.5
GKMO-10x24m	10	5/8	15.9	M24 x 1.5	24.0	30.0
GKMO-10x26m	10	5/8	15.9	M26 x 1.5	26.0	30.0
GKMO-10x30m	10	5/8	15.9	M30 x 1.5	30.0	32.0
GKMO-12x30m	12	3/4	19.1	M30 x 1.5	30.0	32.0
GKMO-16x33m	16	1	25.4	M33 x 1.5	33.0	38.0
GKMO-16x42m	16	1	25.4	M42 x 1.5	42.0	45.0

GKM

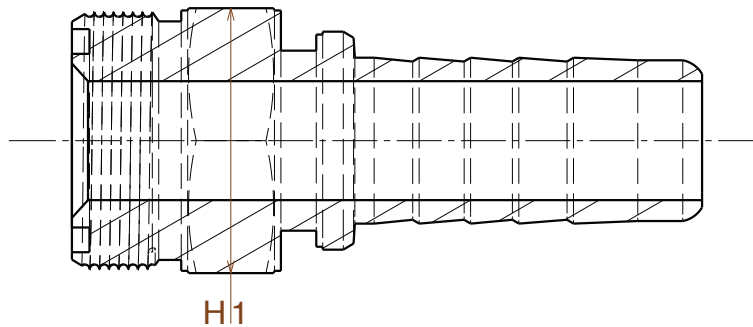
Male Komatsu Style With 30° Cone



Part Number	Dash number	Hose Bore		Thread	Thread O.D. (mm)	Dimension H1
		inch	mm			
GKM-04x14m	04	1/4	6.4	M14 x 1.5	14.0	16
GKM-06x16m	06	3/8	9.5	M16 x 1.5	16.0	17
GKM-06x18m	06	3/8	9.5	M18 x 1.5	18.0	19
GKM-06x20m	06	3/8	9.5	M20 x 1.5	20.0	22
GKM-08x20m	08	1/2	12.7	M20 x 1.5	20.0	22
GKM-08x22m	08	1/2	12.7	M22 x 1.5	22.0	24
GKM-10x24m	10	5/8	15.9	M24 x 1.5	24.0	27
GKM-10x26m	10	5/8	15.9	M26 x 1.5	26.0	28.5
GKM-10x27m	10	5/8	15.9	M27 x 1.5	27.0	28.5
GKM-12x30m	12	3/4	19.1	M30 x 1.5	30.0	32
GKM-16x33m	16	1	25.4	M33 x 1.5	33.0	35

GSMA

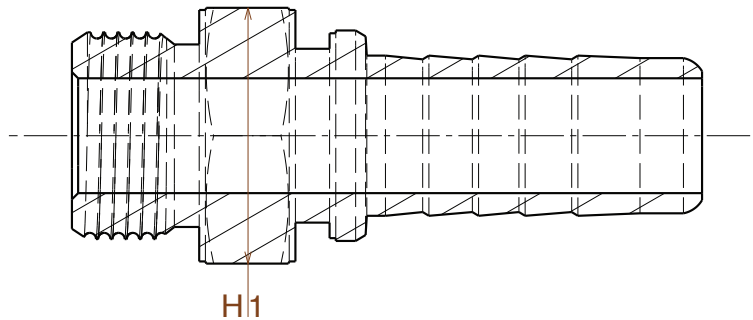
Male Metric O-Ring Face Seal



Part Number	Dash number	Hose Bore		Thread	Thread O.D. (mm)	Dimension H1
		inch	mm			
GSMA-1212	12	3/4	19.1	M32 x 1.5	32.0	32.0
GSMA-1216	12	3/4	19.1	M40 x 1.5	40.0	41.5
GSMA-1616	16	1	25.4	M40 x 1.5	40.0	41.5
GSMA-1620	16	1	25.4	M45 x 1.5	45.0	48.0
GSMA-2020	20	1 1/4	31.8	M45 x 1.5	45.0	48.0
GSMA-2024	20	1 1/4	31.8	M55 x 1.5	55.0	57.0
GSMA-2424	24	1 1/2	38.1	M55 x 1.5	55.0	57.0

GBMO

Male British Standard Pipe With O-Ring

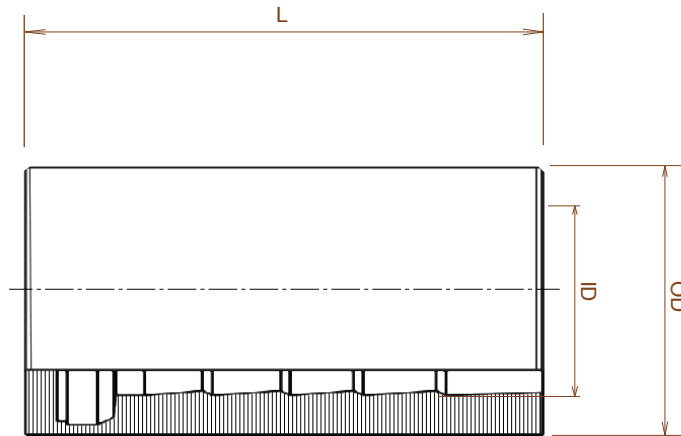


Part Number	Dash number	Hose Bore		Thread	Thread	Dimension H1
		inch	mm		O.D. (mm)	
GBMO-0404	04	1/4	6.4	1/4" - 19 BSPP	13.1	19
GBMO-0406	04	1/4	6.4	3/8" - 19 BSPP	16.7	22
GBMO-0604	06	3/8	9.5	1/4" - 19 BSPP	13.1	19
GBMO-0606	06	3/8	9.5	3/8" - 19 BSPP	16.7	22
GBMO-0608	06	3/8	9.5	1/2" - 14 BSPP	20.6	27
GBMO-0808	08	1/2	12.7	1/2" - 14 BSPP	20.6	27
GBMO-1010	10	5/8	15.9	5/8" - 14 BSPP	22.2	32
GBMO-1012	10	5/8	15.9	3/4" - 14 BSPP	26.2	35
GBMO-1212	12	3/4	19.1	3/4" - 14 BSPP	26.2	35
GBMO-1216	12	3/4	19.1	1" - 11 BSPP	33.3	41.5
GBMO-1616	16	1	25.4	1" - 11 BSPP	33.3	41.5
GBMO-1620	20	1 1/4	31.8	1 1/4" - 11 BSPP	42.1	51
GBMO-2020	20	1 1/4	31.8	1 1/4" - 11 BSPP	42.1	51



ISR

Ferrule for 1 & 2 Wire braid hose
(Clamps with the fitting)

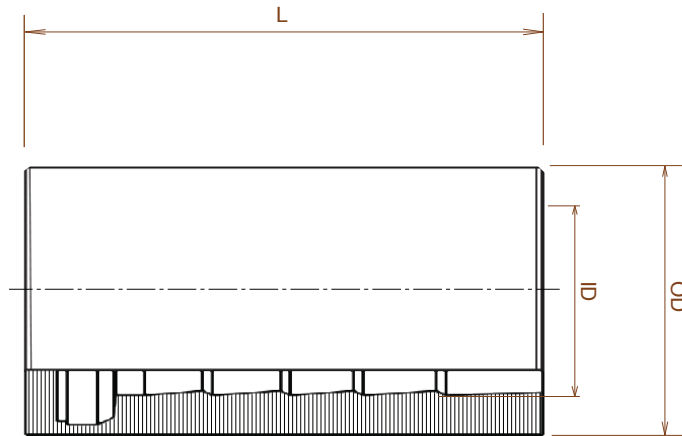


Dash Number	Hose Bore		ID	OD	L
	inch	mm			
04	1/4	6.4	15.7	21.5	39
06	3/8	9.5	19.7	25.5	42.8
08	1/2	12.7	23	28.8	46
10	5/8	15.9	27	34	50
12	3/4	19.1	30.4	38	55
16	1	25.4	37	45	61
20	1 1/4	31.8	48	57	78
24	1 1/2	38.1	54	63.7	82.8
32	2	50.8	70.4	80	92.8



BR

Ferrule for 1 & 2 Wire braid hose

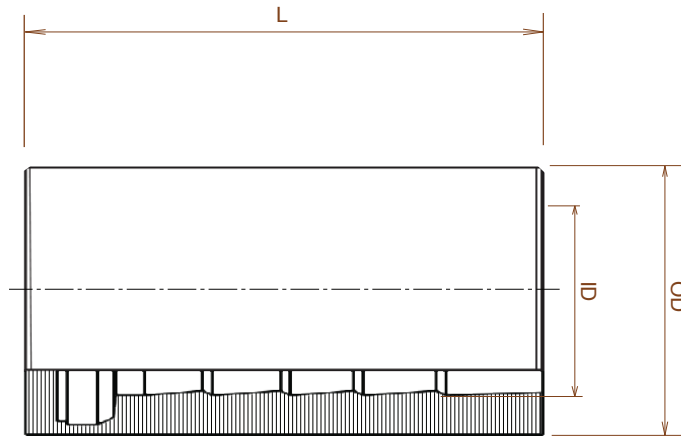


Dash Number	Hose Bore		ID	OD	L
	inch	mm			
04	1/4	6.4	16	21	27
06	3/8	9.5	18.8	24	30
08	1/2	12.7	22	28.6	32
10	5/8	15.9	25	32	36
12	3/4	19.1	29	35	43.2
16	1	25.4	37	45	51
20	1 1/4	31.8	47.4	56.6	65
24	1 1/2	38.1	52.4	60.3	65.3
32	2	50.8	65	76	69.8



MS

Ferrule for 4SH & 4SP Multi Spiral Hose



Dash Number	Hose Bore		ID	OD	L
	inch	mm			
04	1/4	6.4	-	-	-
06	3/8	9.5	20	27	38
08	1/2	12.7	24.8	32	41.7
10	5/8	15.9	27	35	48
12	3/4	19.1	30.4	38	50.2
16	1	25.4	39.2	47.5	55.2
20	1 1/4	31.8	48	57	72
24	1 1/2	38.1	56	65	74
32	2	50.8	69.5	80	86.7