

# STAC INTELLIGENT HOME BOOSTER PUMP

## Features

- Intelligent pump control, it automatically adjusts operation to deliver the water pressure you like.
- The integrated sensor detects if inlet pressure varies or if there are several taps open and immediately tells the pump to boost the pressure.
- Permanent magnet IE4 motor, high efficient, energy saving 30-50 %. Wide voltage range : 180-260V, double frequency : 50/60 Hz. Extreme silent : it has a sound level of only 50dB(A) in typical use, to bring you a comfort sleep.
- Multiple protection : Overload protection, dry running protection, anti-freeze protection, lightning protection, over voltage protection, low voltage protection, over heat protection. Super suction, can be up to 9m within 2mins.



**PAT Model**

0.1 - 0.75 kW

### Operation Conditions

Liquid temperature up to +80°C  
 Ambient temperature up to +40°C  
 Max. Working pressure 10 bar  
 Continuous duty

#### Performance Range PAT

Flow rate up to 4 m<sup>3</sup>/h  
 Head up to 40 m.

#### Performance Range PUI

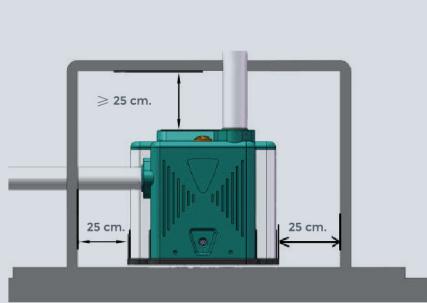
Flow rate up to 6 m<sup>3</sup>/h  
 Head up to 53 m.



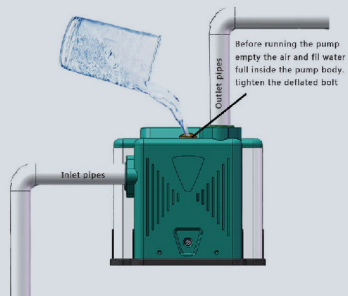
**PUI Model**

0.1 - 1.2 kW

# INSTALLATIONS & USE



**PAT 0.1 - 0.75 kW**

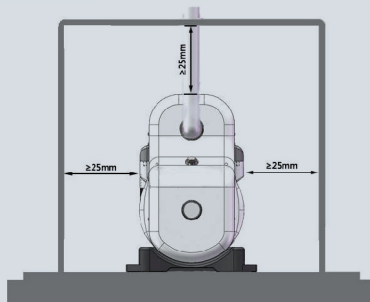


It is a fully integrated water booster pump providing perfect water pressure in all taps at all times-even with multiple taps and showers running at the same time. It packs pump, motor, tank, flow sensor, pressure sensor, drive and non - return valve into one compact unit. It is the perfect choice for residential buildings.

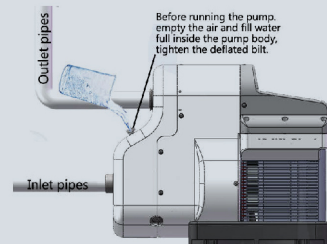
“

**Boosting from mains:** Increases the water pressure delivered by city mains. **Boosting from tanks:** Increases water pressure from roof tanks, break tanks and ground tanks, including rainwater tanks. **Boosting from wells :** Pumps water from a depth of 9 m.

”



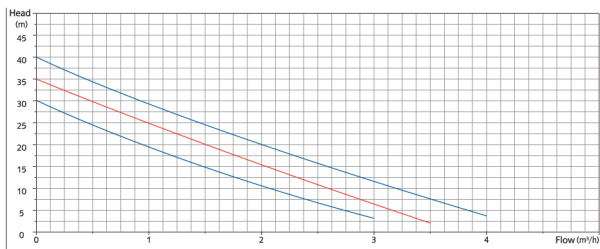
**PUI 0.1 - 1.2 kW**



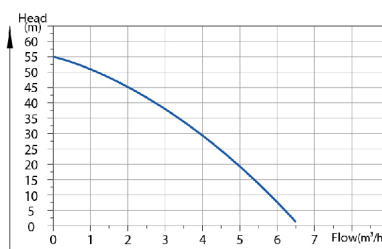
## SPECIFICATIONS

Model	In/Out (mm)	Power (W)	Speed (r/min)	Q.max (m <sup>3</sup> /h)	H.max (m)	R.flow (m <sup>3</sup> /h)	R.head (m)	Suct.max (m)
PAT-370	25x25	0.1-0.37	500-3000	3	30	1	20	9
PAT-550	25x25	0.1-0.55	500-3500	3.5	35	1.5	20	9
PAT-750	25x25	0.1-0.75	500-4000	4	40	2	20	9
PUI-504	25x25	0.1-0.55	4800-5200	5	45	3	30	9
PUI-604	25x25	0.5-1.2	1000-3500	6	53	4	30	9

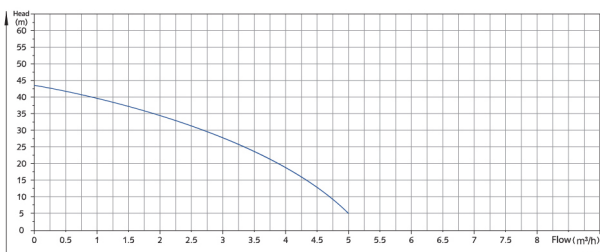
## PERFORMANCE CURVE



PAT-370  
PAT-550  
PAT-750

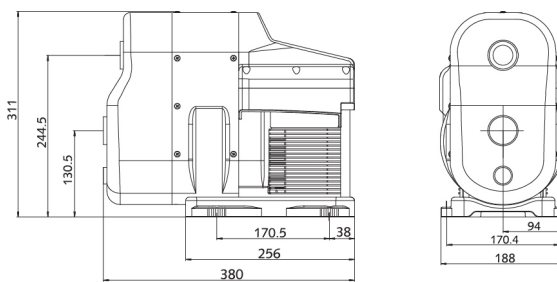


PUI-604

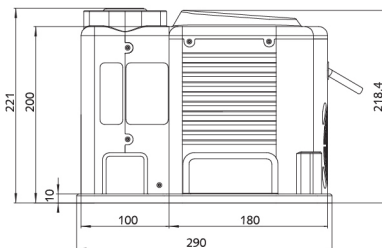


PUI-504

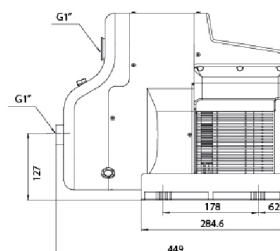
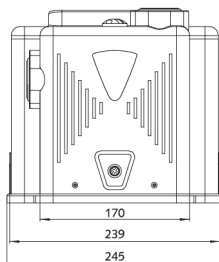
## DIMENSIONS



PUI-504



PAT-370 / PAT-550 / PAT-750



PUI-604

