

FEATURES

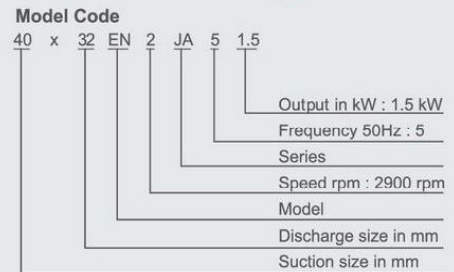
คุณสมบัติพิเศษ

This design feature allows the complete rotating element to be removed for servicing without disconnecting pipework. If spacer coupling is fitted then motor does not have to be moved. On reassembly of pump coupling realignment problems are completely eliminated.

ปั๊มนี้นี้ได้รับการออกแบบให้สามารถถอดชิ้นส่วนที่หมุนออก โดยไม่ต้องถอดท่อเข้า และถ้าหากได้ใช้ร่วมกับเฟลาหรือยอชชนิดสเปเซอร์ มีที่กันระยะ ก็ไม่ต้องถอดมอเตอร์ และในการประกอบปั๊มคืน ก็ไม่มีปัญหาการจัดแนว Alignment อีก

APPLICATIONS / การใช้งาน

- * Air Conditioning
งานระบบเครื่องปรับอากาศ
- * Heating and ventilating
งานระบบเครื่องทำความร้อนและระบายอากาศ
- * Circulating
งานระบบการหมุนเวียนน้ำ
- * Water Pressure Boosting
งานระบบแรงดันน้ำ
- * Irrigation
งานเกษตรกรรม
- * Refrigeration
งานห้องเย็น
- * Water Treatment and Supply
งานบำบัดน้ำ และงานส่งน้ำ
- * Petroleum Products
งานผลิตน้ำมันปิโตรเลียม
- * General Industry
งานอุตสาหกรรมทั่วไป
- * Factory Pumping
งานปั๊มน้ำในโรงงาน
- * Process Industry
งานกระบวนการผลิตในอุตสาหกรรมต่าง ๆ
- * Plumbing
ระบบประปา
- * Transfer
ระบบการส่งน้ำต่าง ๆ
- * Drainage
ระบบการส่งถ่ายน้ำ



Material of Construction

วัสดุต่าง ๆ ในการผลิตปั๊ม

	Option 1	Option 2	Option 3	Option 4
Casing	Cast iron	Cast iron	Cast iron	Stainless Steel
Impeller	Cast iron	Bronze	Stainless Steel	Stainless Steel
Wear Ring	Cast iron	Cast iron	Cast iron	Stainless Steel
Shaft	Stainless Steel	Stainless Steel	Stainless Steel	Stainless Steel
Shaft Nut	Stainless Steel	Stainless Steel	Cast iron	Stainless Steel
Shaft Sleeve	Stainless Steel	Stainless Steel	Stainless Steel	Stainless Steel
Lantern Ring	Cast iron	Cast iron	Cast iron	Stainless Steel
Gland	Cast iron	Cast iron	Cast iron	Stainless Steel

Material Specification

มาตรฐาน ของวัสดุต่าง ๆ

Material	Nearest Equivalent Standard				
Cast iron	AS1830/T200	BS 1452: GR 220	ASTM A48 CLASS 30	DIN 1691 GG 20	JIS G5501 FC 200
Bronze	AS1565/836B	BS 1400: LG2	ASTM B584 C836	DIN 1705 G-CuSn-5ZnPb	JIS H5111 BC6
Stainless Steel	AS1444 GR 403	BS 970: 403/S17	AISI-403	DIN 17440 X15Cr13(1.4024)	JIS G4303 SUS403

Bearings should be gresed approximately every 2000 operating hours at 3600 rpm
2500 operating hours at 3000 rpm. 4000 operating hours at 1800 rpm.
5000 operating hours at 1500 rpm, rpm or equivalent lubricated.

STAC EN range fully complies to both performance and dimensional standards for JIS

Casing

The cast iron volute casing is of robust design with integrally cast feet, vertical top centerline discharge with axial suction incorporating cast inlet vane to give best flow to impeller eye.

Impeller

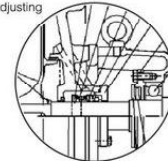
should be enclosed with single suction type is balanced and be fitted to shaft by a key and locked by nut.

Stuffing Box

Standard stuffing box includes gland packing with a lantern ring incorporating high pressure internal flushing. Alternatively this pump can be supplied with a mechanical seal. Conversion from packed box to mechanical seal and back to packed box is easy.

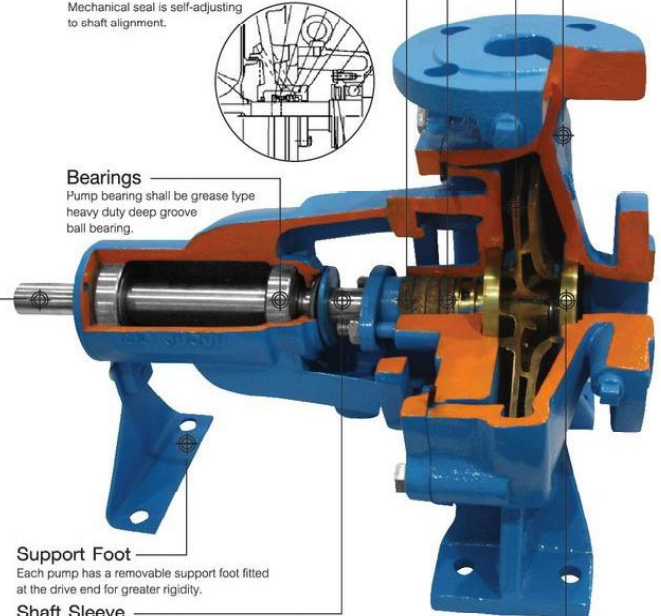
Mechanical Seal Option:

Mechanical seal is self-adjusting to shaft alignment.



Bearings

Pump bearing shall be grease type heavy duty deep groove ball bearing.



Support Foot

Each pump has a removable support foot fitted at the drive end for greater rigidity.

Shaft Sleeve

Fully machined hook type shaft sleeve prevents shaft damage under the gland packing which substantially reduces maintenance costs.

Shaft

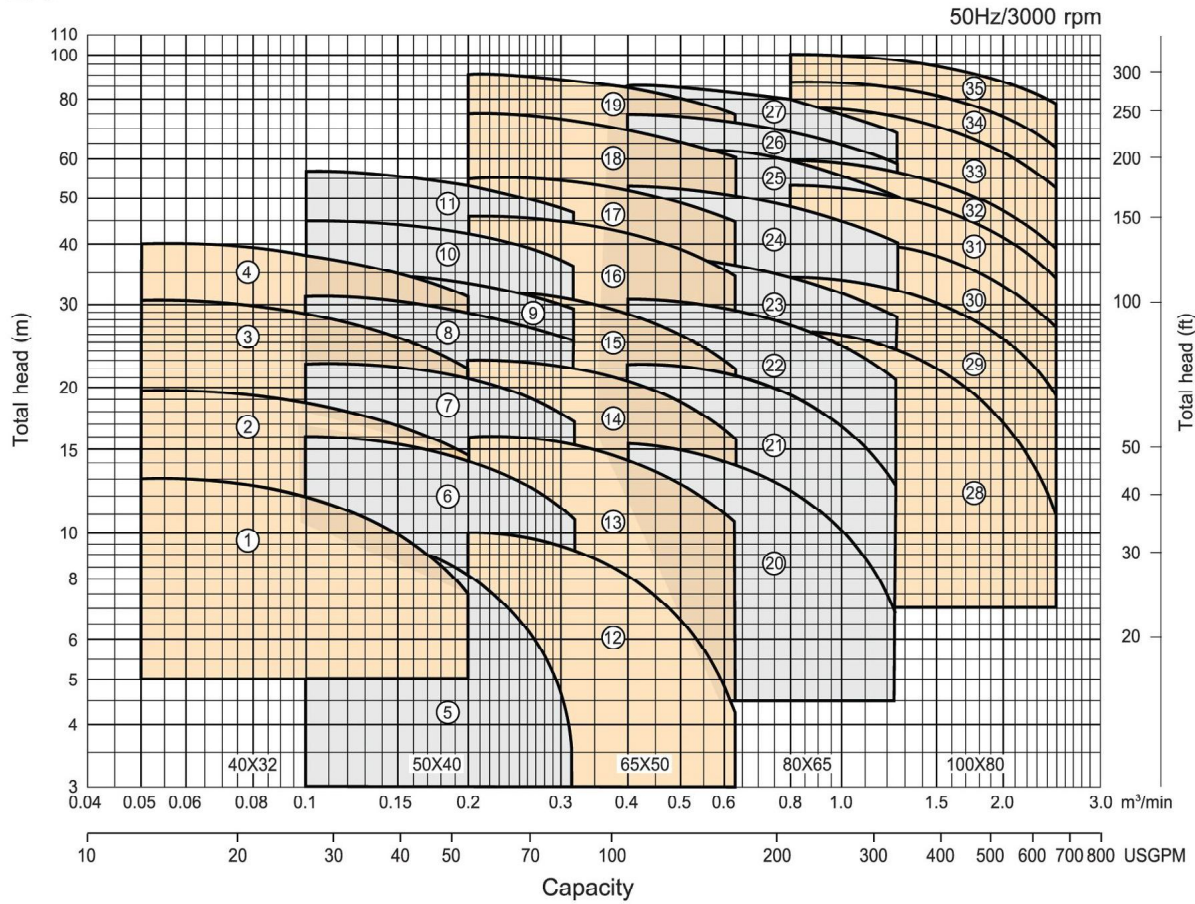
The pump shaft shall be made of stainless steel (403).

Wear Ring

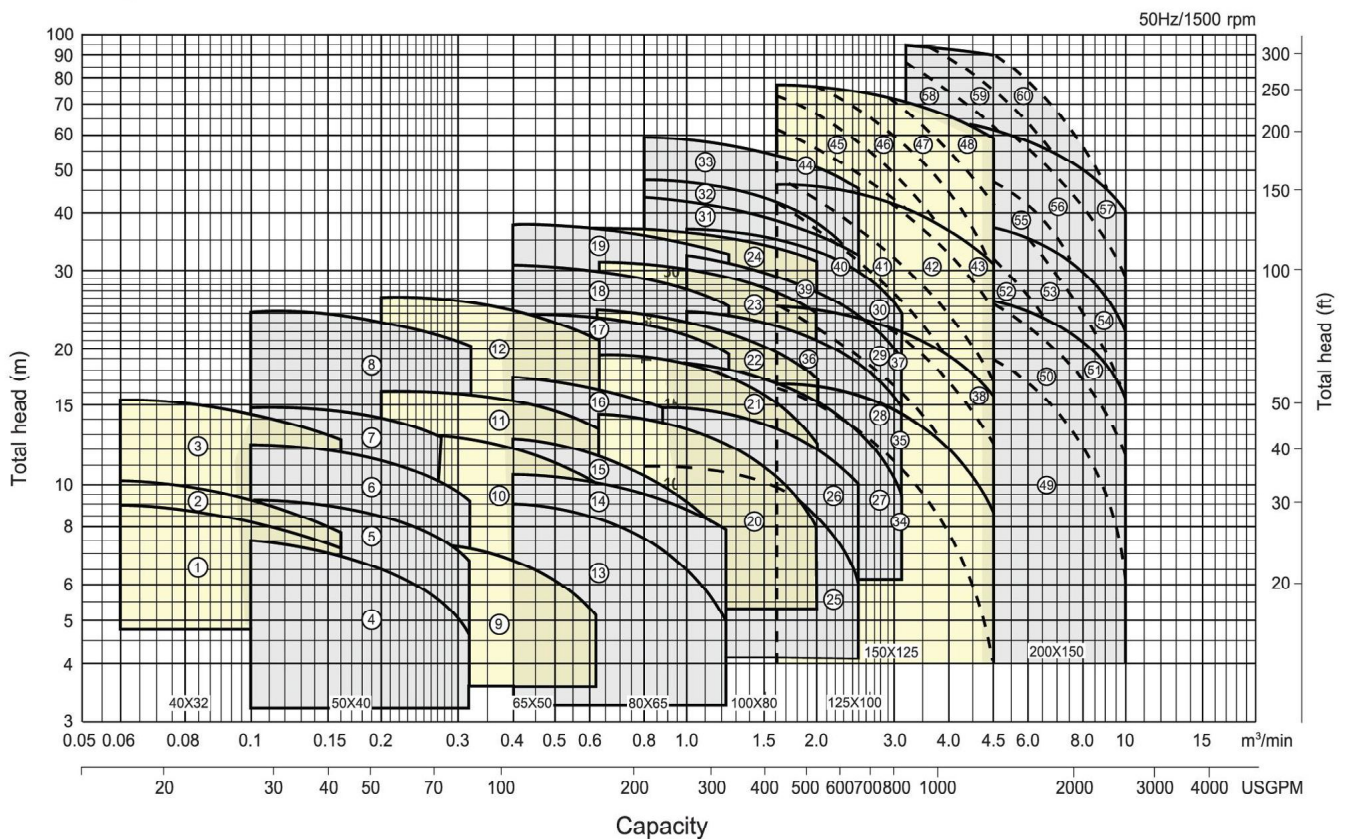
Replaceable wear rings are fitted as standard to all casings and also to back covers on larger pumps which reduces maintenance time and cost.

Selection Chart

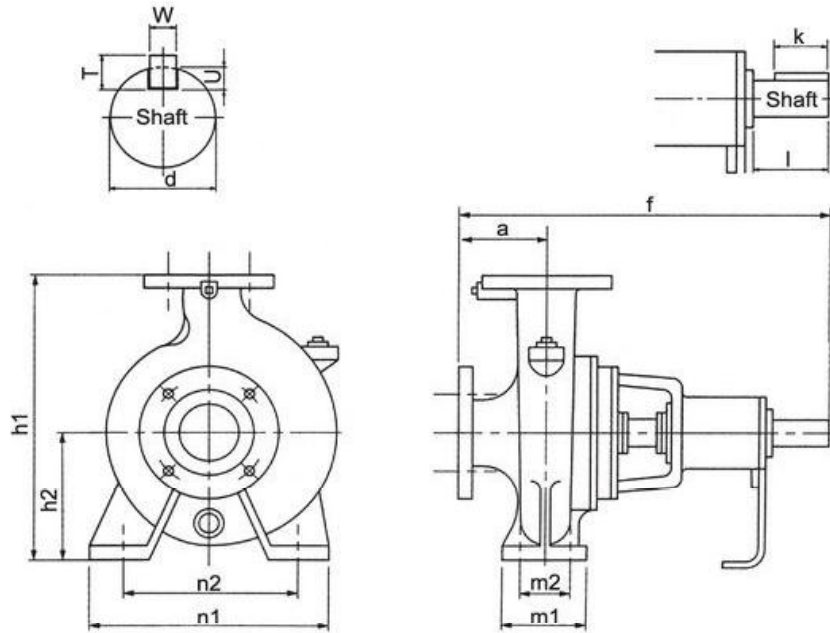
EN-2A



EN-4A, EN-4F



Dimensions



MODEL : EN-2A

No.	Model	Pump dimensions								Shaft			Coupling Key		
		a	f	h1	h2	n1	n2	m1	m2	d	l	u	w	t	k
1	40X32 EN2HA5.4	65	265	225	100	155	125	80	56	19	28	3.5	6	6	20
2	40X32 EN2IA5.75	65	265	252	112	180	140	80	56	19	28	3.5	6	6	20
3	40X32 EN2JA51.5	80	360	292	132	240	190	100	70	19	40	3.5	6	6	32
4	40X32 EN2JA52.2	80	360	292	132	240	190	100	70	19	40	3.5	6	6	32
5	50X40 EN2HA5.4	65	265	252	112	180	140	80	56	19	28	3.5	6	6	20
6	50X40 EN2HA5.75	65	265	252	112	180	140	80	56	19	28	3.5	6	6	20
7	50X40 EN2IA51.5	80	440	252	112	190	140	100	70	19	40	3.5	6	6	32
8	50X40 EN2JA52.2	80	440	292	132	240	192	100	70	19	40	3.5	6	6	32
9	50X40 EN2JA53.7	80	440	292	132	240	192	100	70	19	40	3.5	6	6	32
10	50X40 EN2KA53.7	80	440	340	160	240	190	100	70	24	50	4	8	7	40
11	50X40 EN2KA55.5	80	440	340	160	240	190	100	70	24	50	4	8	7	40
12	65X50 EN2HA5.75	80	360	252	112	190	140	100	70	19	40	3.5	6	6	32
13	65X50 EN2HA51.5	80	360	252	112	190	140	100	70	19	40	3.5	6	6	32
14	65X50 EN2IA52.2	80	440	252	112	210	160	100	70	19	40	3.5	6	6	32
15	65X50 EN2JA53.7	80	440	292	132	240	190	100	70	19	40	3.5	6	6	32
16	65X50 EN2KA55.5	100	460	340	160	265	212	100	70	24	50	4	8	7	40
17	65X50 EN2KA57.5	100	460	340	160	265	212	100	70	24	50	4	8	7	40
18	65X50 EN2LA511	100	460	405	180	320	250	125	95	24	50	4	8	7	40
19	65X50 EN2LA515	100	460	405	180	320	250	125	95	24	50	4	8	7	40
20	80X65 EN2HA52.2	100	380	292	132	240	190	100	70	19	40	3.5	6	6	32
21	80X65 EN2IA53.7	100	460	292	132	240	190	100	70	24	50	4	8	7	40
22	80X65 EN2JA55.5	100	460	340	160	265	212	100	70	24	50	4	8	7	40
23	80X65 EN2JA57.5	100	460	340	160	265	212	100	70	24	50	4	8	7	40
24	80X65 EN2KA511	100	460	360	160	265	212	100	70	24	50	4	8	7	40
25	80X65 EN2KA515	100	460	360	160	265	212	100	70	24	50	4	8	7	40
26	80X65 EN2LA518.5	100	460	405	180	320	250	125	95	32	80	5	10	8	50
27	80X65 EN2LA522	100	460	405	180	320	250	125	95	32	80	5	10	8	50
28	100X80 EN2IA57.5	100	460	340	160	280	212	125	95	24	50	4	8	7	40
29	100X80 EN2JA511	100	460	360	160	280	212	125	95	24	50	4	8	7	40
30	100X80 EN2JA515	100	460	360	160	280	212	125	95	24	50	4	8	7	40
31	100X80 EN2KA518.5	100	460	405	180	320	250	125	95	32	80	5	10	8	50
32	100X80 EN2KA522	100	460	405	180	320	250	125	95	32	80	5	10	8	50
33	100X80 EN2LA530	100	570	450	200	360	280	160	120	32	80	5	10	8	50
34	100X80 EN2LA537	100	570	450	200	360	280	160	120	32	80	5	10	8	50
35	100X80 EN2LA545	100	570	450	200	360	280	160	120	32	80	5	10	8	50

Dimensions
MODEL : EN-4A, EN-4F

No.	Model	Pump dimensions								Shaft			Coupling Key		
		a	f	h1	h2	n1	n2	m1	m2	d	l	u	w	t	k
1	40X32 EN4JA5.4	80	440	292	132	240	196	100	70	19	40	3.5	6	6	32
2	40X32 EN4KA5.4	80	440	340	160	240	196	100	70	24	50	4	8	7	40
3	40X32 EN4KA5.75	80	440	340	160	240	196	100	70	24	50	4	8	7	40
4	50X40 EN4JA5.4	80	440	292	132	240	196	100	70	19	40	3.5	6	6	32
5	50X40 EN4JA5.75	80	440	292	132	240	196	100	70	19	40	3.5	6	6	32
6	50X40 EN4KA5.75	100	460	340	160	265	212	100	70	24	50	4	8	7	40
7	50X40 EN4KA51.5	100	460	340	160	265	212	100	70	24	50	4	8	7	40
8	50X40 EN4LA52.2	100	460	405	180	320	250	125	95	24	50	4	8	7	40
9	65X50 EN4JA5.75	100	460	340	160	265	212	100	70	24	50	4	8	7	40
10	65X50 EN4KA51.5	100	460	360	160	265	212	100	70	24	50	4	8	7	40
11	65X50 EN4KA52.2	100	460	360	160	265	212	100	70	24	50	4	8	7	40
12	65X50 EN4LA53.7	100	460	405	180	320	250	125	95	24	50	4	8	7	40
13	80X65 EN4JA51.5	100	460	360	160	280	212	125	95	24	50	4	8	7	40
14	80X65 EN4JA52.2	100	460	360	160	280	212	125	95	24	50	4	8	7	40
15	80X65 EN4KA52.2	100	460	405	180	320	250	125	95	24	50	4	8	7	40
16	80X65 EN4KA53.7	100	460	405	180	320	250	125	95	24	50	4	8	7	40
17	80X65 EN4LA55.5	100	570	450	200	260	280	160	120	32	80	5	10	8	50
18	80X65 EN4MA57.5	125	595	505	225	400	315	160	120	32	80	5	10	8	50
19	80X65 EN4MA511	125	595	505	225	400	315	160	120	32	80	5	10	8	50
20	100X80 EN4KA53.7	125	595	430	180	345	280	125	95	32	80	5	10	8	50
21	100X80 EN4LA55.5	125	595	505	225	400	315	160	120	32	80	5	10	8	50
22	100X80 EN4LA57.5	125	595	505	225	400	315	160	120	32	80	5	10	8	50
23	100X80 EN4MA511	125	595	565	250	400	315	160	120	32	80	5	10	8	50
24	100X80 EN4MA515	125	595	565	250	400	315	160	120	32	80	5	10	8	50
25	125X100 EN4KA53.7	125	595	480	200	360	280	160	120	32	80	5	10	8	50
26	125X100 EN4KA55.5	125	595	480	200	360	280	160	120	32	80	5	10	8	50
27	125X100 EN4LA57.5	140	610	505	225	315	400	120	160	32	80	5	10	8	50
28	125X100 EN4LA511	140	610	505	225	315	400	120	160	32	80	5	10	8	50
29	125X100 EN4BA515	140	610	565	250	315	400	120	160	32	80	5	10	8	50
30	125X100 EN4BA518.5	140	610	565	250	315	400	120	160	32	80	5	10	8	50
31	125X100 EN4MA518.5	140	610	565	250	315	400	120	160	32	80	5	10	8	50
32	125X100 EN4OA522	140	670	635	280	400	500	150	200	42	110	5	10	8	50
33	125X100 EN4OA530	140	670	635	280	400	500	150	200	42	110	5	10	8	50
34	150X125 EN4KF57.5	140	670	565	250	400	315	160	120	42	110	5	12	8	63
35	150X125 EN4KF511	140	670	565	250	400	315	160	120	42	110	5	12	8	63
36	150X125 EN4LF511	140	670	605	250	400	315	160	120	42	110	5	12	8	63
37	150X125 EN4LF515	140	670	605	250	400	315	160	120	42	110	5	12	8	63
38	150X125 EN4LF518.5	140	670	605	250	400	315	160	120	42	110	5	12	8	63
39	150X125 EN4MF515	140	670	635	280	500	400	200	150	42	110	5	12	8	63
40	150X125 EN4MF518.5	140	670	635	280	500	400	200	150	42	110	5	12	8	63
41	150X125 EN4MF522	140	670	635	280	500	400	200	150	42	110	5	12	8	63
42	150X125 EN4MF530	140	670	635	280	500	400	200	150	42	110	5	12	8	63
43	150X125 EN4MF537	140	670	635	280	500	400	200	150	42	110	5	12	8	63
44	150X125 EN4OF530	140	670	715	315	500	400	200	150	42	110	5	12	8	63
45	150X125 EN4OF537	140	670	715	315	500	400	200	150	42	110	5	12	8	63
46	150X125 EN4OF545	140	670	715	315	500	400	200	150	42	110	5	12	8	63
47	150X125 EN4OF555	140	670	715	315	500	400	200	150	42	110	5	12	8	63
48	150X125 EN4OF575	140	670	715	315	500	400	200	150	42	110	5	12	8	63
49	200x150 EN4LF522	140	690	655	280	500	400	200	150	42	110	5	12	8	63
50	200X150 EN4LF530	160	690	655	280	500	400	200	150	42	110	5	12	8	63
51	200X150 EN4LF537	160	690	655	280	500	400	200	150	42	110	5	12	8	63
52	200X150 EN4MF537	160	830	715	315	550	450	200	150	48	110	5.5	14	9	90
53	200X150 EN4MF545	160	830	715	315	550	450	200	150	48	110	5.5	14	9	90
54	200X150 EN4MF555	160	830	715	315	550	450	200	150	48	110	5.5	14	9	90
55	200X150 EN4OF555	160	830	765	315	550	450	200	150	48	110	5.5	14	9	90
56	200X150 EN4OF575	160	830	765	315	550	450	200	150	48	110	5.5	14	9	90
57	200X150 EN4OF590	160	830	765	315	550	450	200	150	48	110	5.5	14	9	90
58	200X150 EN4QF575	180	1000	960	400	595	500	250	190	60	140	7	18	11	100
59	200X150 EN4QF590	180	1000	960	400	595	500	250	190	60	140	7	18	11	100
60	200X150 EN4QF5110	180	1000	960	400	595	500	250	190	60	140	7	18	11	100