

# GENERAL CATALOGUE END SUCTION CENTRIFUGAL PUMPS



CENTRIFUGAL PUMPS  
SINGLE IMPELLER in cast iron design



Single impeller centrifugal pumps manufactured in cast iron, suitable for pressure boosting of water for irrigation, and non-aggressive liquids for civil and industrial uses.  
CRE series is fitted with an open impeller for suspended solids handling.



Model : CPE



Model : CSE



Model : CRE



Model : CFE

### SPECIFICATIONS

- \* Maximum working pressure:  
6 bar for CPE 100-150-200-300
- \* Maximum liquid temperature:  
45°C for CPE 100  
80°C for other models

### TECHNICAL DATA

- \* T.E.F.C. 2 poles motor
- \* Insulation class F
- \* Protection degree IP55
- 1Ø220V 50Hz, available up to 2.2 kW.
- 3Ø220V/380V 50Hz up to 2.2 kW.
- Other voltages available on request.

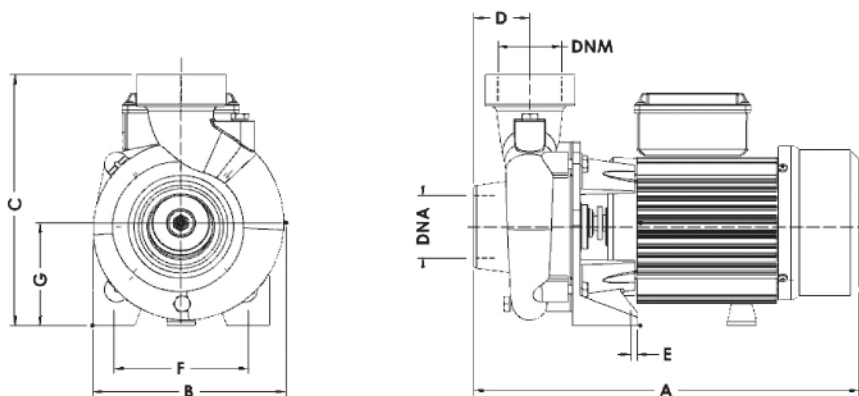
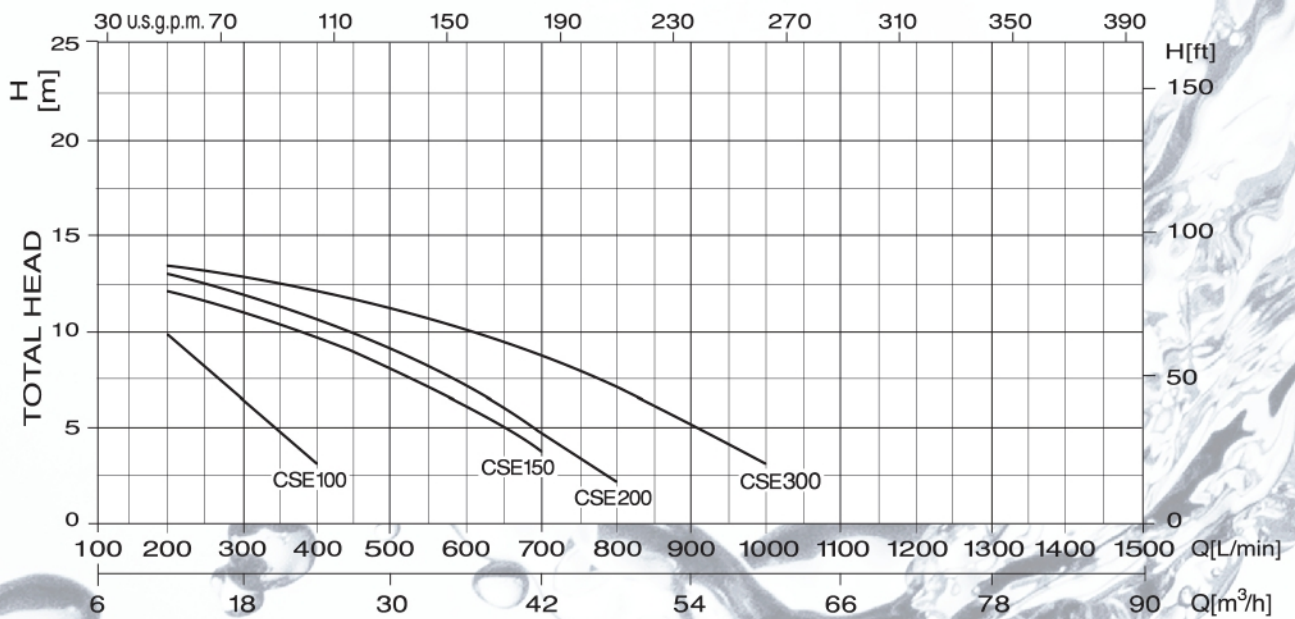
### MATERIALS

- \* Pump body in cast iron
- \* Mechanical seal in carbon/ceramic/NBR
- \* Impeller: - Cast iron, closed type (option : bronze impeller, at extra price)  
- Open Impeller for CRE-100  
(passage of solids: max. dia. 8 mm)  
- in noryl for CFE 80-100-150-200-300
- \* Shaft: - in stainless steel
- \* Bracket: - in cast iron for all models

### SERIES CSE SINGLE IMPELLER CENTRIFUGAL PUMPS

MOD	POWER		ABSORBED AMP			Q=DELIVERY											
	HP	KW	230V-M	230V-T	400V-T	M3/H LT/MIN	6	12	18	24	30	36	42	48	54	60	
<b>CSE/100</b>	1	0.75	5	2.2	1.3	H=MT	100	200	300	400	500	600	700	800	900	1000	
<b>CSE/150</b>	1.5	1.1	8	4.8	2.8		13	10	6	3							
<b>CSE/200</b>	2	1.5	10	6.7	3.8		13	12	11	9	8	6	4				
<b>CSE/300</b>	3	2.2	11.5	9.5	5.2		14	13	12	10	9	7	4	2			
							14	13	12	12	11	10	8	7	5	3	

#### PERFORMANCE CURVES CSE ( according to ISO 9906 grade 2 )



TYPE	DIMENSION IN mm.							SUCTION	DISCHARGE	WEIGHT
	A	B	C	D	E	F	G	DNA	DNM	Kg
<b>CSE/100</b>	344	170	227	52	12	120	93	2"	2"	17.2
<b>CSE/150</b>	411	219	291	76	17	140	118	2"	2"	25.2
<b>CSE/200</b>	411	219	291	76	17	140	118	2"	2"	26
<b>CSE/300</b>	441	239	299	77	17	140	119	3"	3"	31