

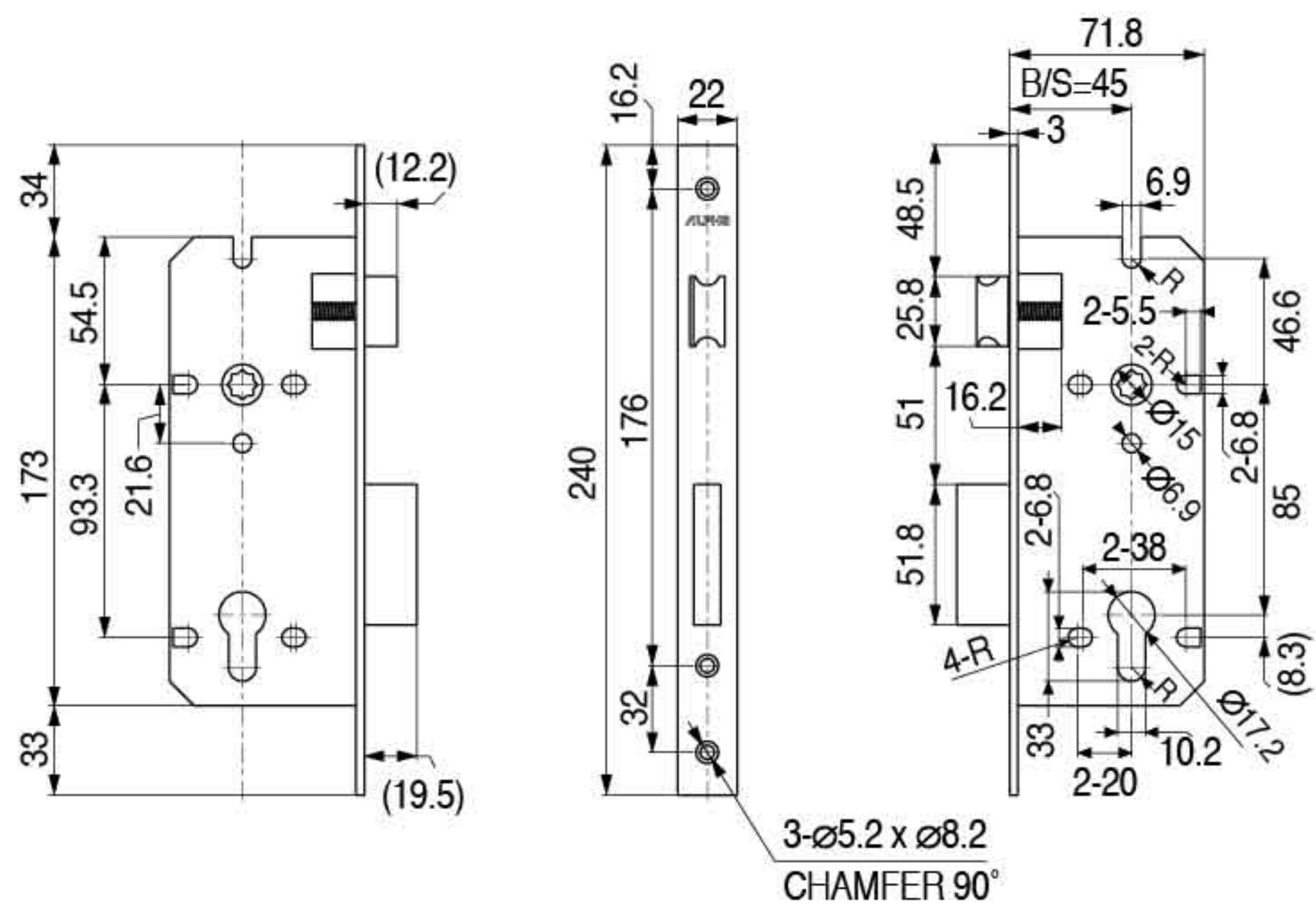
MORTISE LOCK CASE



MLCASE-45-85



MLCASE-50-72

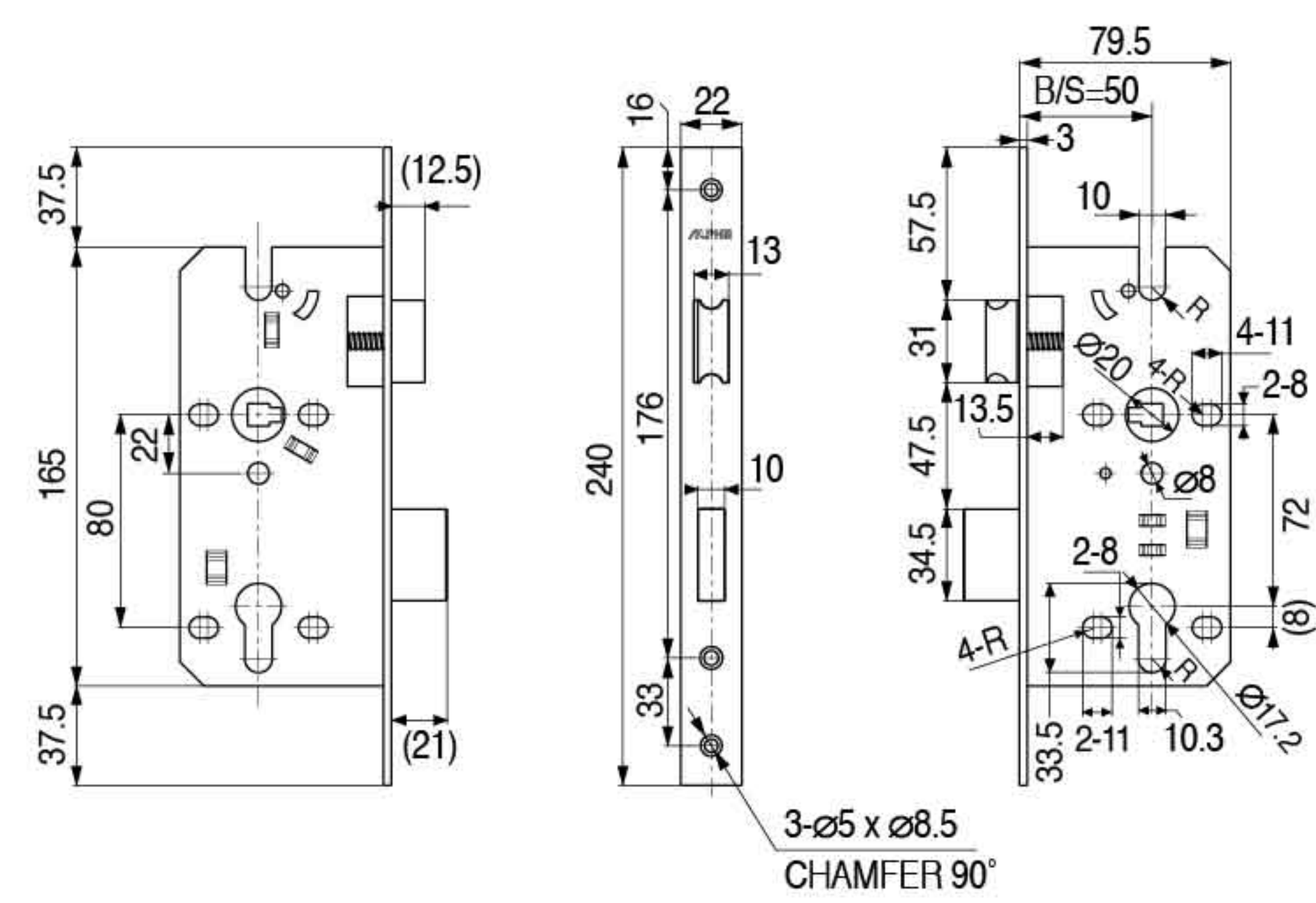


Specification

- Backset : 45 mm.
- Spacing : 85 mm.
- SUS304 latch and dead bolt

Product Name

- MLCASE-45-85-SS
- MLCASE-45-85-PB
- MLCASE-45-85-AB
- MLCASE-45-85-BLK
- MLCASE-45-85-ORB
- MLCASE-45-85-PS
- MLCASE-45-85-AC
- MLCASE-45-85-SB



Specification

- Backset : 50 mm.
- Spacing : 72 mm.
- SUS304 latch and dead bolt

Product Name

- MLCASE-50-72-SS
- MLCASE-50-72-PB
- MLCASE-50-72-AB
- MLCASE-50-72-BLK
- MLCASE-50-72-ORB
- MLCASE-50-72-PS
- MLCASE-50-72-AC
- MLCASE-50-72-SB

Finish



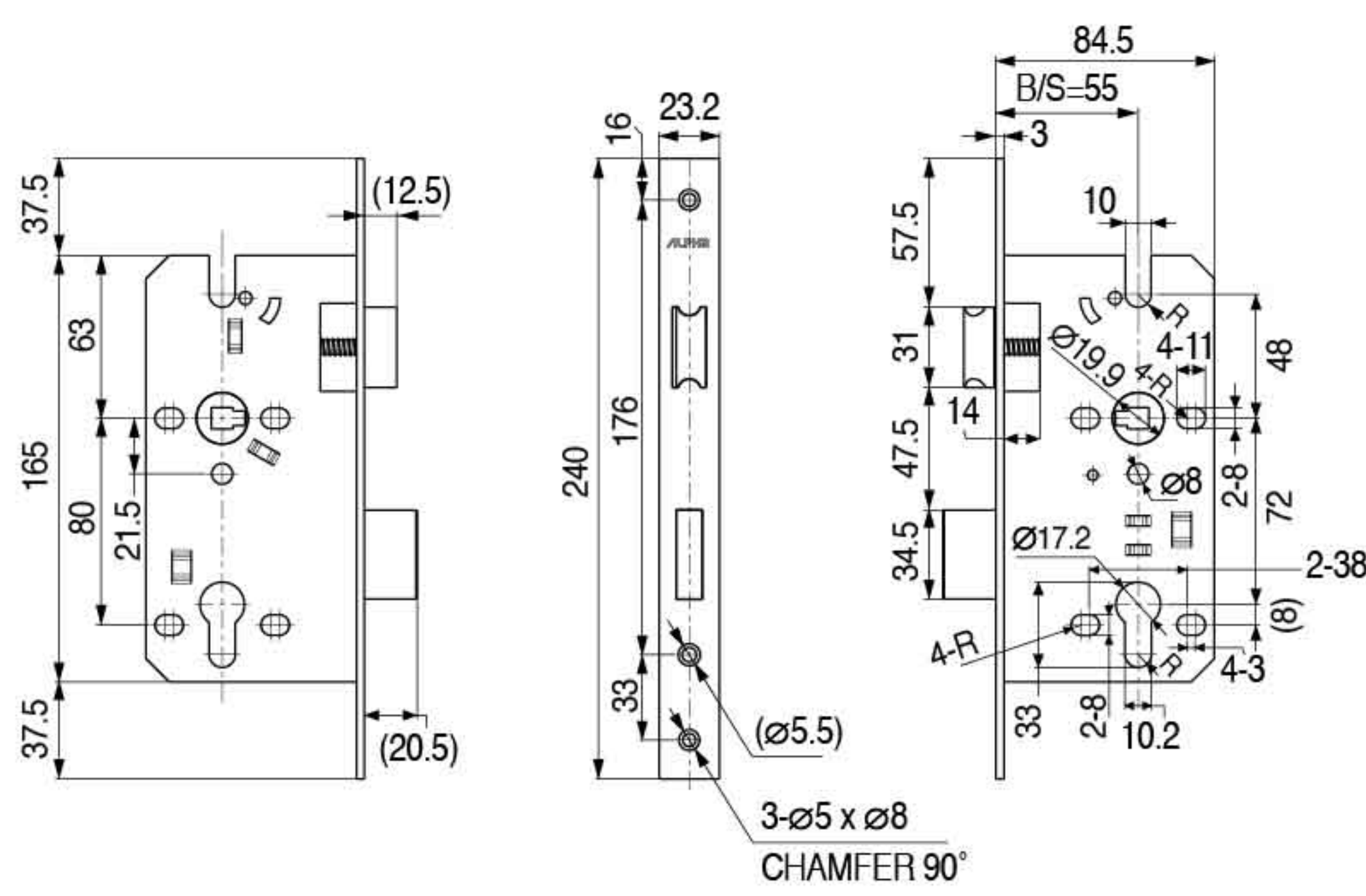
MORTISE LOCK CASE



MLCASE-55-72



MLCASE-60-85

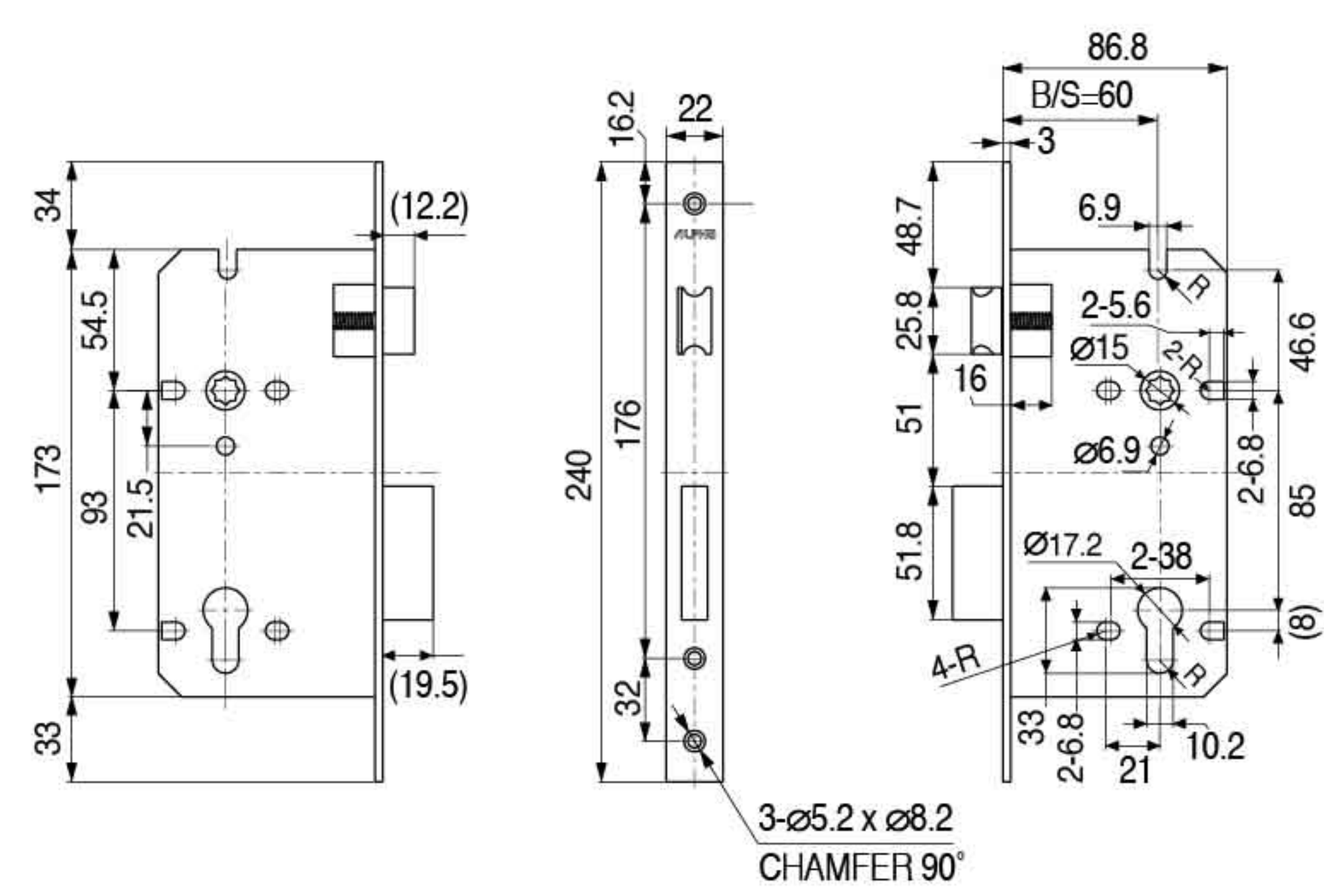


Specification

- Backset : 55 mm.
- Spacing : 72 mm.
- SUS304 latch and dead bolt

Product Name

- MLCASE-55-72-SS
- MLCASE-55-72-PB
- MLCASE-55-72-AB
- MLCASE-55-72-BLK
- MLCASE-55-72-ORB
- MLCASE-55-72-PS
- MLCASE-55-72-AC
- MLCASE-55-72-SB



Specification

- Backset : 60 mm.
- Spacing : 85 mm.
- SUS304 latch and dead bolt

Product Name

- MLCASE-60-85-SS
- MLCASE-60-85-PB
- MLCASE-60-85-AB
- MLCASE-60-85-BLK
- MLCASE-60-85-ORB
- MLCASE-60-85-PS
- MLCASE-60-85-AC
- MLCASE-60-85-SB

Finish



SS

PB

AB

BLK

ORB

PS

AC

SB