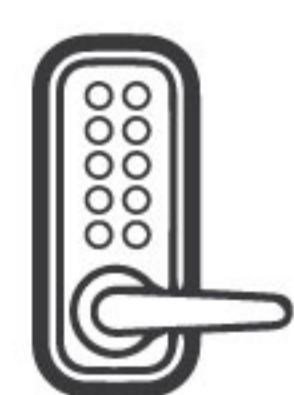


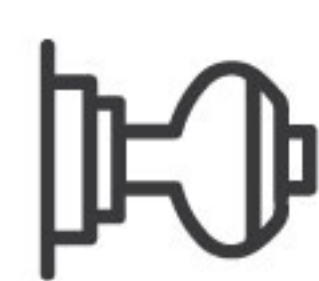

Innovation for Access



キー & ロック総合カタログ
Key & Lock Catalog



Digital Lock



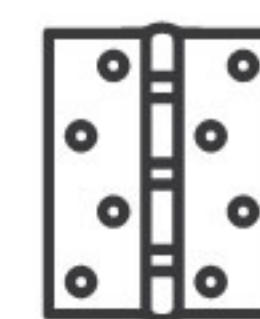
Knob Sets



Tubular Lever Handle



Handle for Mortise Lock



Accessories

Japan's full-line lock and key manufacturer

住設機器

Housing Hardware

In the Housing Hardware business, since the establishment of the company, ALPHA Corporation has been producing and marketing broad range of products including house door locks, industrial locks for automatic vending machine, ATM and game machine, as well as padlocks. It has provided customers with products designed for high security and convenience.

創業以来の事業である住設機器事業では、住宅玄関錠を始め、自動販売機やATM、遊戯機などの産業用錠前、南京錠など様々な分野の製品を製造・販売し、安全で利便性の高い製品をお客様に提供しています。また、長年培ってきたセキュリティ技術で開発・設計から生産までを請け負い、お客様のニーズに応えるOEM・ODM生産も行っております。



自動車部品

Automobile Parts

In 1933, a decade after its founding, ALPHA Corporation started manufacturing of the first lock & key set made in Japan for newly born Datsun cars. Since then, its technology has continued evolving to develop Electronic Key and intelligent Key.

創業10年目の1933年、ダットサン誕生時に国産初の自動車用カギとして採用されて以来、その技術は、「電子キー」や「インテリジェントキー」へと進化を挙げてきました。



ロッカー

Locker System

Coin Locker, which ALPHA Corporation provided first in Japan in 1964, is now a common noun and used at stations and leisure facilities all over Japan every day.

ロッカーシステム事業は、1964年に日本で初めてコインロッカーの製造・販売をはじめて以来、現在では電子マネー対応ロッカー、重要物保管管理ボックス、各種コインロッカーを全国の官公庁、駅、空港、レジャー施設、フィットネスクラブ、温浴施設などに導入いただいております。

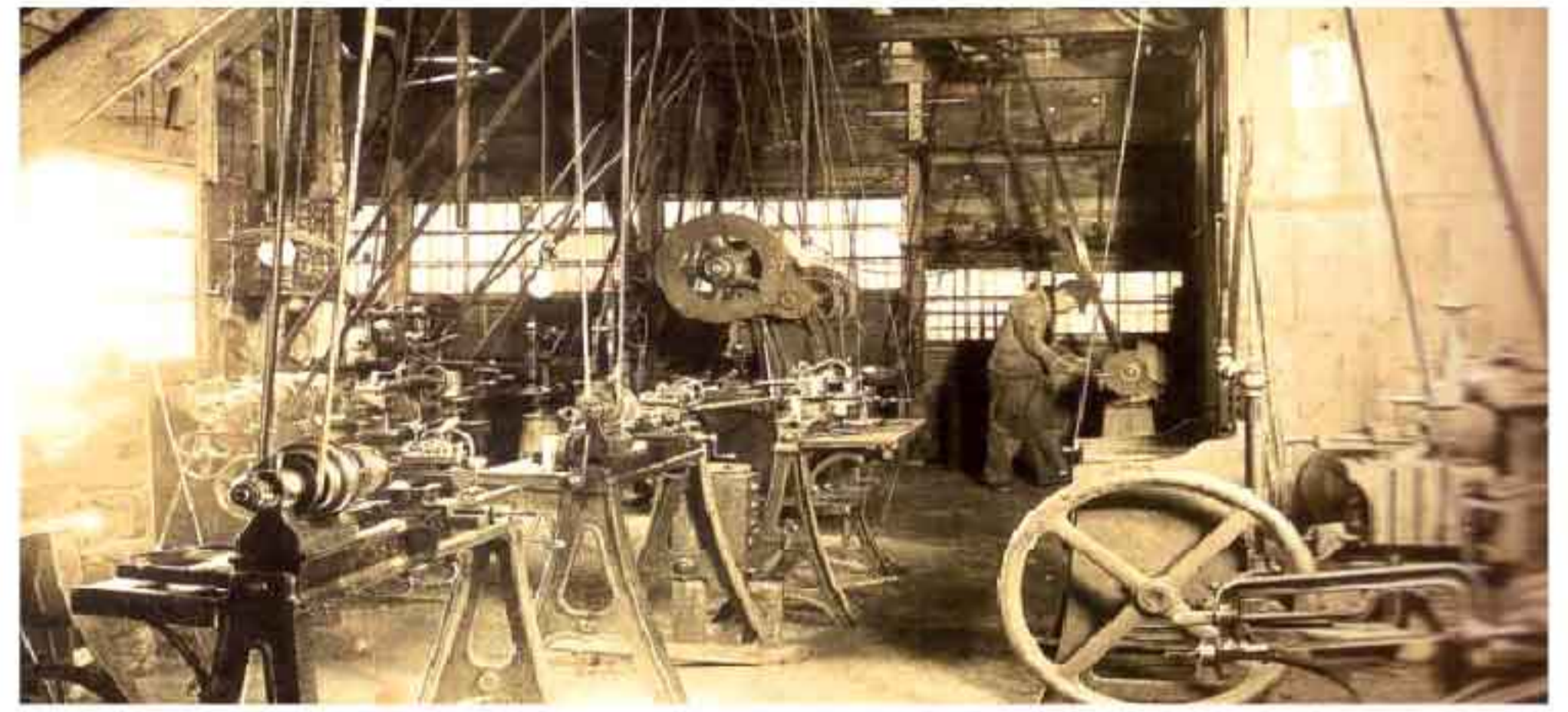


アルファの歩み HISTORY

1923 (大正12年)

Established the company and started manufacturing and marketing of locks, buildings' hardware and cylinder locks.

創業、建築金物及びシリンダー錠の製造販売開始



1933 (昭和8年)

Started manufacturing of automobile cylinder locks & key sets for Nissan Motor Co., Ltd. and Toyota Motor Co., Ltd.

日産自動車株式会社、トヨタ自動車工業株式会社向けの自動車キーセットの製造を開始



1955 (昭和30年)

Started manufacturing of #1000 series, ALPHA brand padlocks.

「#1000シリーズ」アルファブランドの南京錠の製造・販売を開始



1964 (昭和39年)

Concluded technical tie-up with Flexible Inc., U.S.A., and started manufacturing and marketing of coin-operated lockers.

米国フレキシブル社と技術提携し、コインロッカーの製造・販売を開始



1971 (昭和46年)

Started manufacturing and marketing of W Lock, integral locks.

シリンダードア錠「Wロック」の製造・販売を開始



1984 (昭和59年)

Started manufacturing and marketing of Digita-Lock, keyless entrance door locks.

キーレス玄関錠「デジタロック」の製造・販売を開始



Contents



6-9

Digital Lock

- WG 430
- WS 200
- WS 300



10-11

Cylindrical Lock



12-17

Tubular Lock

- Lever Handle
- Dead Bolt



18-43

Mortise Lock

- Hollow Handle
- Solid Handle
- Profile Cylinder
- Lock Case
- Lock Set
- Sliding Lock

44-47

Accessories

- Hinge
- Door Stopper



DIGITAL LOCK

電氣錠

DIGITAL LOCK | WG430



WG430



BACK VIEW FRONT VIEW

Color



BLACK SILVER

Push Pull Handle WG430

3 Access Ways

- Password : 4-12 digits (2 ID)
- Card : Up to 20 ID
MIFARE (ISO14443A) / Tag-it HF-I Pro (ISO15693) / Felica
- Key : Dimple key

Feature

- Japanese Top-End Security System
High security with Japanese two lock standard. You can lock with a single-action.
- Relock Function
As a picking prevention system, If a key is fraudulently unlocked, it will automatically lock again when the door is not opened within 50 sec.
- Min Lock Down
The door lock is locked down after 5 incorrect operating for 30 sec.
- Sophisticated Design
Handle and lock integrated with a simple yet sophisticated design.
- High quality material
Stainless steel lock case.

Basic Specification

- Backset : 64mm
- Handing : Right / Left
- Door Thickness : 40mm
- Door Type : Steel door / Aluminium door
- Battery : AA alkaline 4 pcs
- Color : Black / Silver



Dimple key



Emergency power supply (9 V battery)

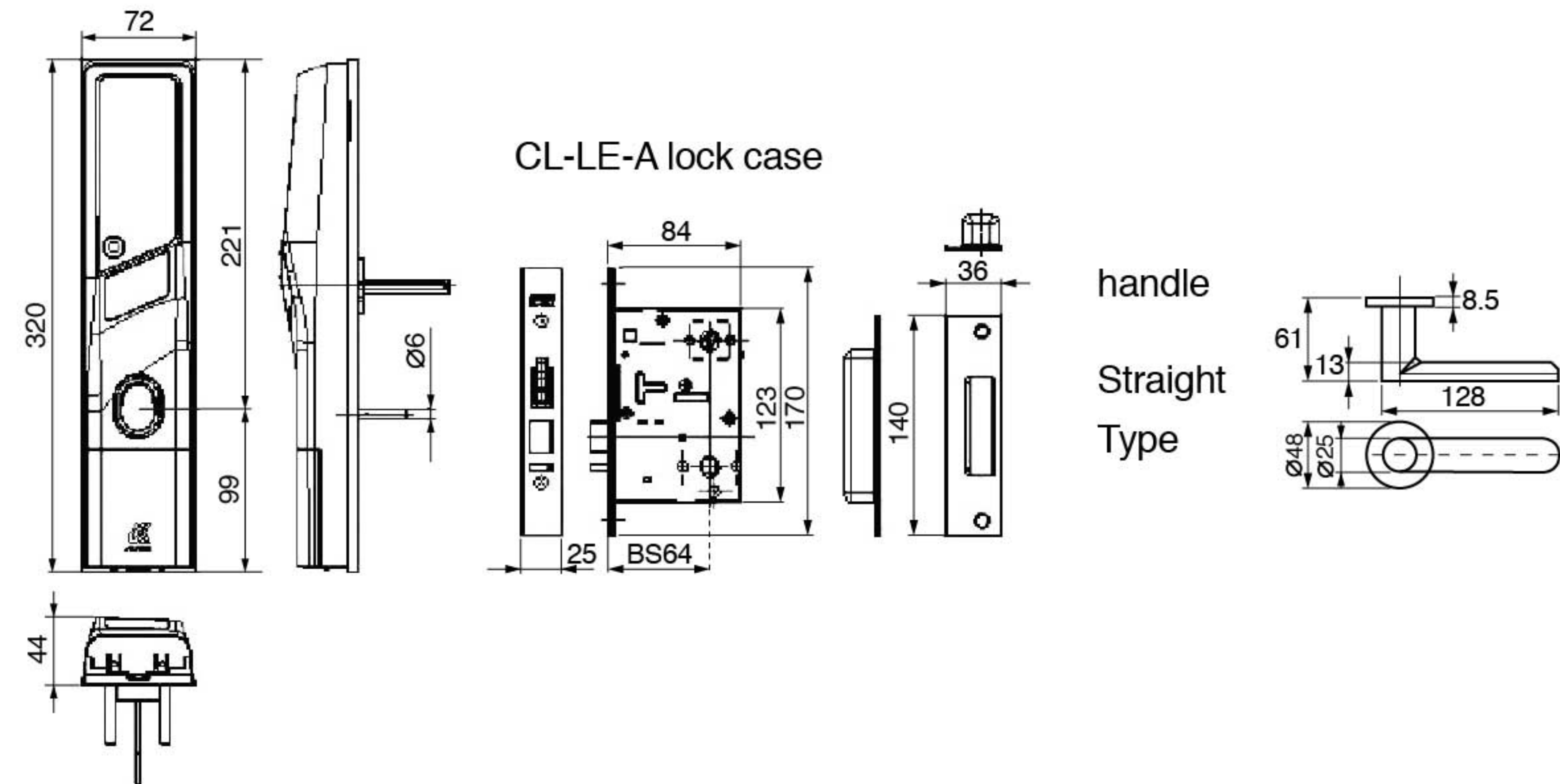


Battery box (AA alkaline 4 pcs)

DIGITAL LOCK | WS200



Outer Dimension & Handle Type



Color



SILVER BLACK (MAT) GOLD

WS200



Password



User Card



Mechanical Key

Card & Key Specification



User Card
(3 pcs included)



Registration card
(2 pcs included)



Dimple key
(2 pcs included)

Feature



Durability & Strength

up to 65 types of tests are performed such as

- Water proof test
Water proof test for automotive part (JIS D0203-S2)
- Lock Cycles test
200,000 cycles test of electronic locking/unlocking
- Tension Test
2300N loaded to the lock



High quality of Material

Aluminium Body and Handle
Stainless steel
Deadlock Brass Latch



Variable Functions

- Auto Locking
Mechanical auto locking system
- Other functions
tamper-proof mode/Low battery warning/
Silent mode



Higher security

Dimple key with high
anti-picking resistant

List of Item No.

Variable door thickness	Color	Item No.
		Straight Type Handle
35-50	SILVER	9QA19-01801
	BLACK(MAT)	9QA19-11801
	GOLD	9QA19-31801
50-60	SILVER	9QA19-01901
	BLACK(MAT)	9QA19-11901
	GOLD	9QA19-31900
60-70	SILVER	9QA19-02001
	BLACK(MAT)	9QA19-22001
	GOLD	9QA19-32001

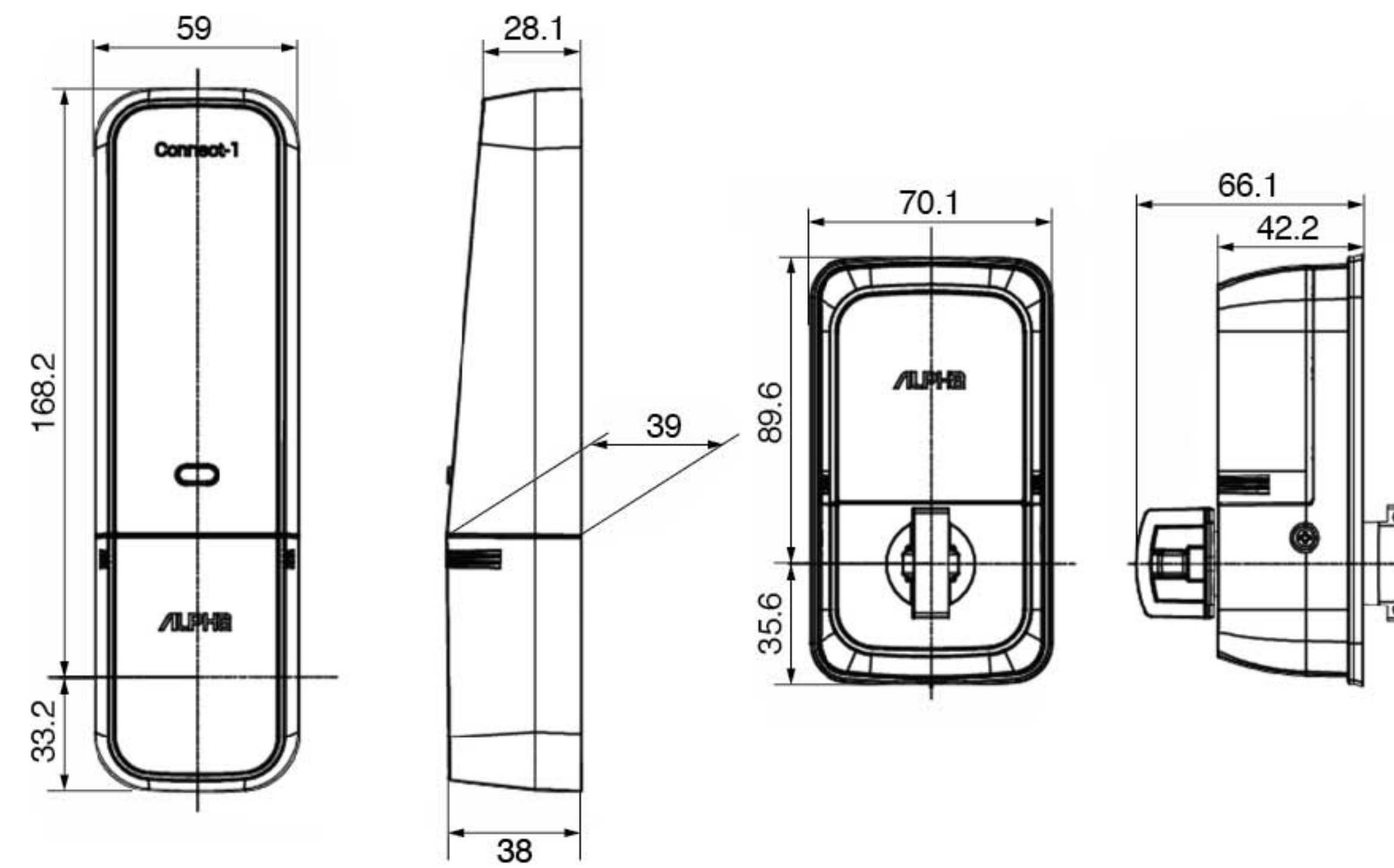
Basic Specification

Backset	: 64mm
Spacing	: 80mm
Handing	: Right / Left
Door thickness	: 35-50/50-60/60-70mm
Battery	: AA alkaline 4 pcs
Password	: 4-12 digits (2 passwords)
User card	: MIFARE, FeliCa, Tag-it HF-I Pro

DIGITAL LOCK | WS 300



Outer Dimension



Color



SILVER

BLACK

WS300



Password



Card

Card Specification



User Card
(Sell Separately)



Registration card
(2 pcs included)

Feature

- Tamper alarm function**
 Tamper-proof Mode starts when improper operation is repeated 6 times
 When Start Button is pressed at Tamper-proof mode, tamper alarm is triggered and no operation is allowed.
- Auticrime function**
 Set as s factory default for higher security.
 Inputting random numbers can prevent your password form being stolen by fingerprints
- Emergency power supply function:**
 When the battery runs out and can't unlock,
 you can input power by USB-TypeC (Mobile Battery)
- Anti-theft thumbturn function**
 You can't lock or unlock the door if you don't press the thumb turn button.
 This function prevents unauthorized unlocking by turning the thumb turn.
- Timer lock function**
 Timer locking can be set to prevent forgetting to lock the door.
 The door will automatically lock 5 minutes after unlocked
 by password, user card, or manually.

List of Item No.

door thickness	Color	Item No.
32-40	SILVER	9QK18-00100
	BLACK	9QK18-10100

Basic Specification

Variable	:	D/T 32-40mm
Color	:	Silver / Black
password	:	Type Touch Sensor
	:	Digits 4 to 12
	:	ID 2 ID
Battery	:	Power AA alkaline 4 pcs
	:	Life Prox. 2years (5cycles per day)
Size	:	Outside 59mm(W) x 201mm(H) x 39mm(D)
	:	Inside 70mm(W) x 125mm(H) x 66mm(D)
Temperature	:	Unit -30~80°C (Outside)
	:	0~50°C (Inside)
	:	Card -25~50°C
	:	Tag -10~60°C
	:	Battery 5~45°C *The case of Panasonic battery



CYLINDRICAL LOCK

ノブセット

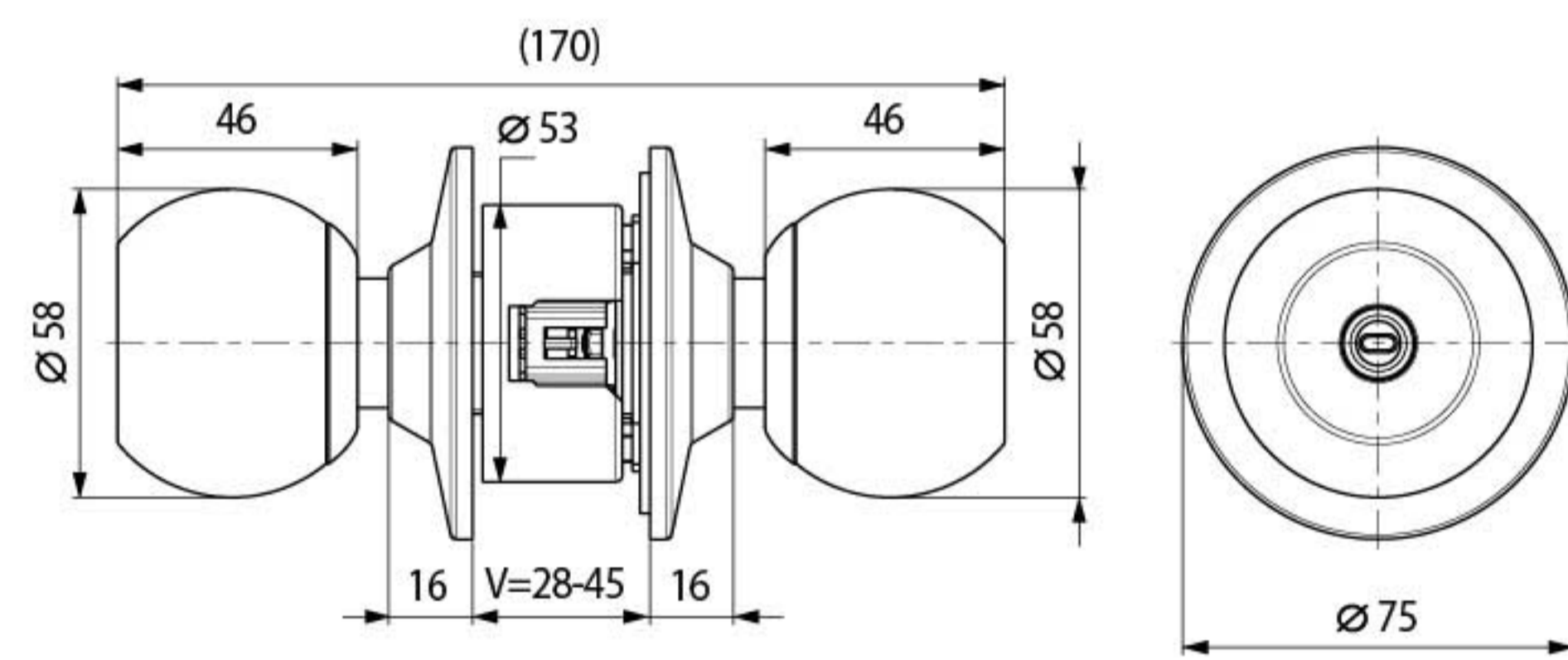
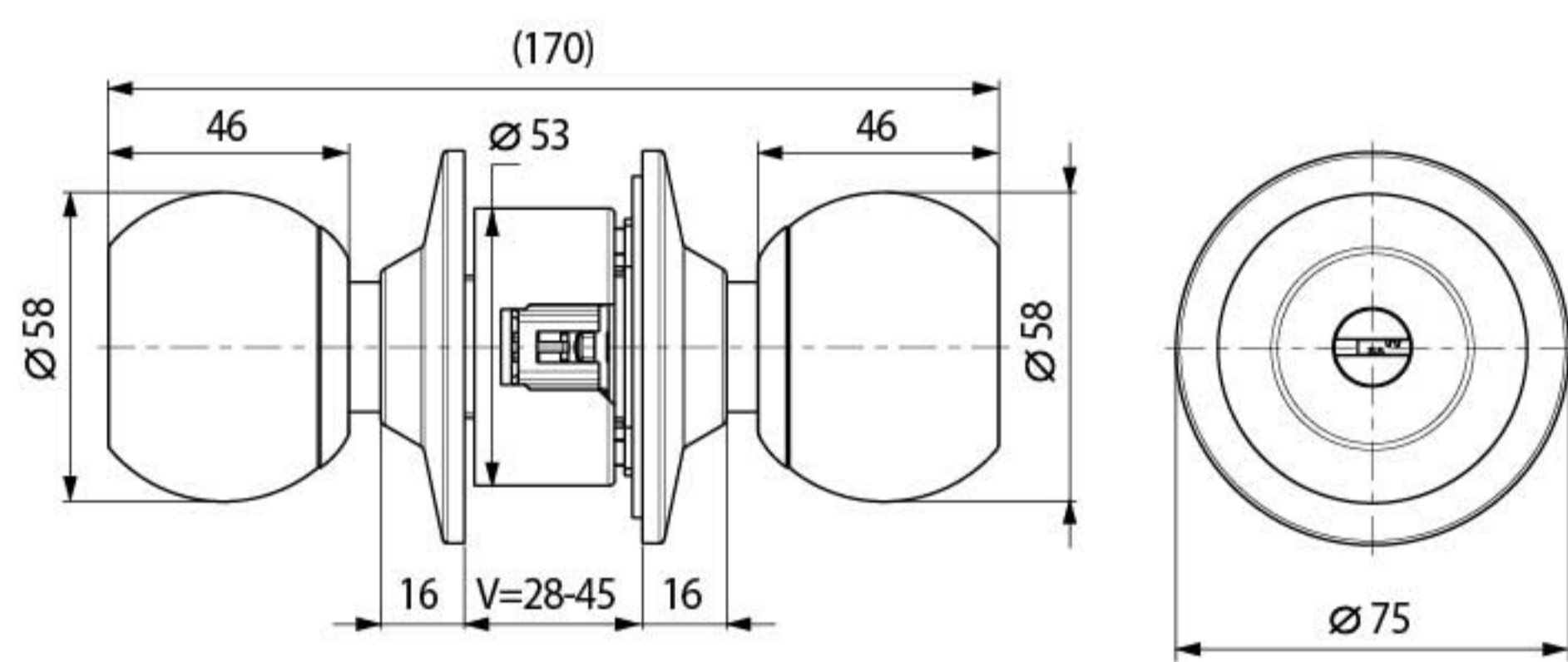
CYLINDRICAL LOCK



AK-345-K0000-60



AK-139-K0000-60



Specification

- Entry cylindrical lock
- W/3 computer keys
- SR knob diameter 58mm with SUS304
- 75mm rose with SUS304
- Fix Screw : SUS304
- Backset : 60mm
- V=28-45mm

Product Name

- AK345-K0000-SS-60
- AK345-K0000-PB-60
- AK345-K0000-AB-60
- AK345-K0000-BLK-60
- AK345-K0000-ORB-60
- AK345-K0000-PS-60
- AK345-K0000-AC-60
- AK345-K0000-SB-60

Specification

- Privacy cylindrical lock
- SR knob diameter 58mm with SUS304
- 75mm rose with SUS304
- Fix Screw : SUS304
- Backset : 60mm
- V=28-45mm

Product Name

- AK139-K0000-SS-60
- AK139-K0000-PB-60
- AK139-K0000-AB-60
- AK139-K0000-BLK-60
- AK139-K0000-ORB-60
- AK139-K0000-PS-60
- AK139-K0000-AC-60
- AK139-K0000-SB-60

Finish





TUBULAR LOCK

チューブラー錠

TUBULAR LEVER HANDLE



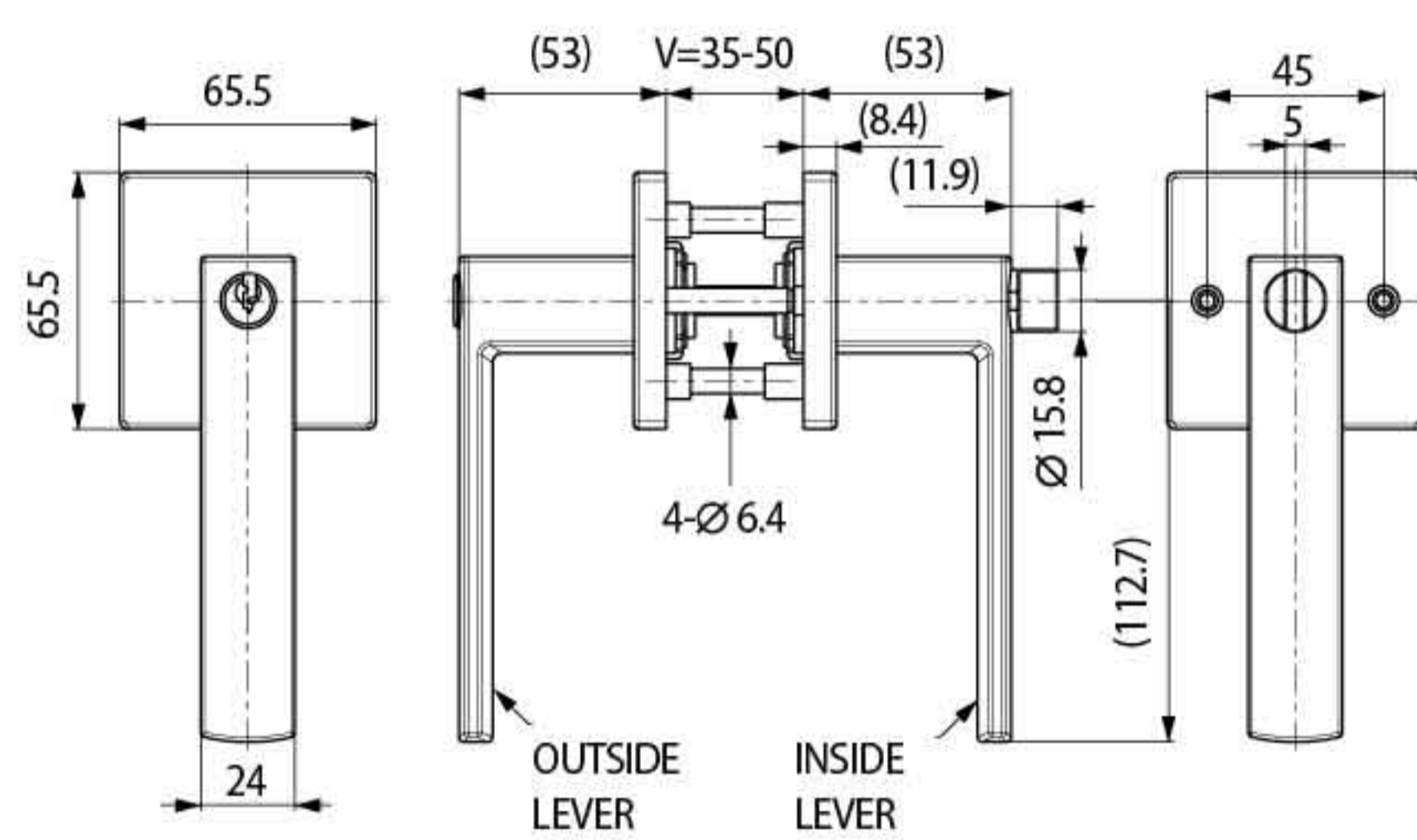
(pin cylinder key)

TD321-L0000-60/70



(pin cylinder key)

TD321-L0500-60/70

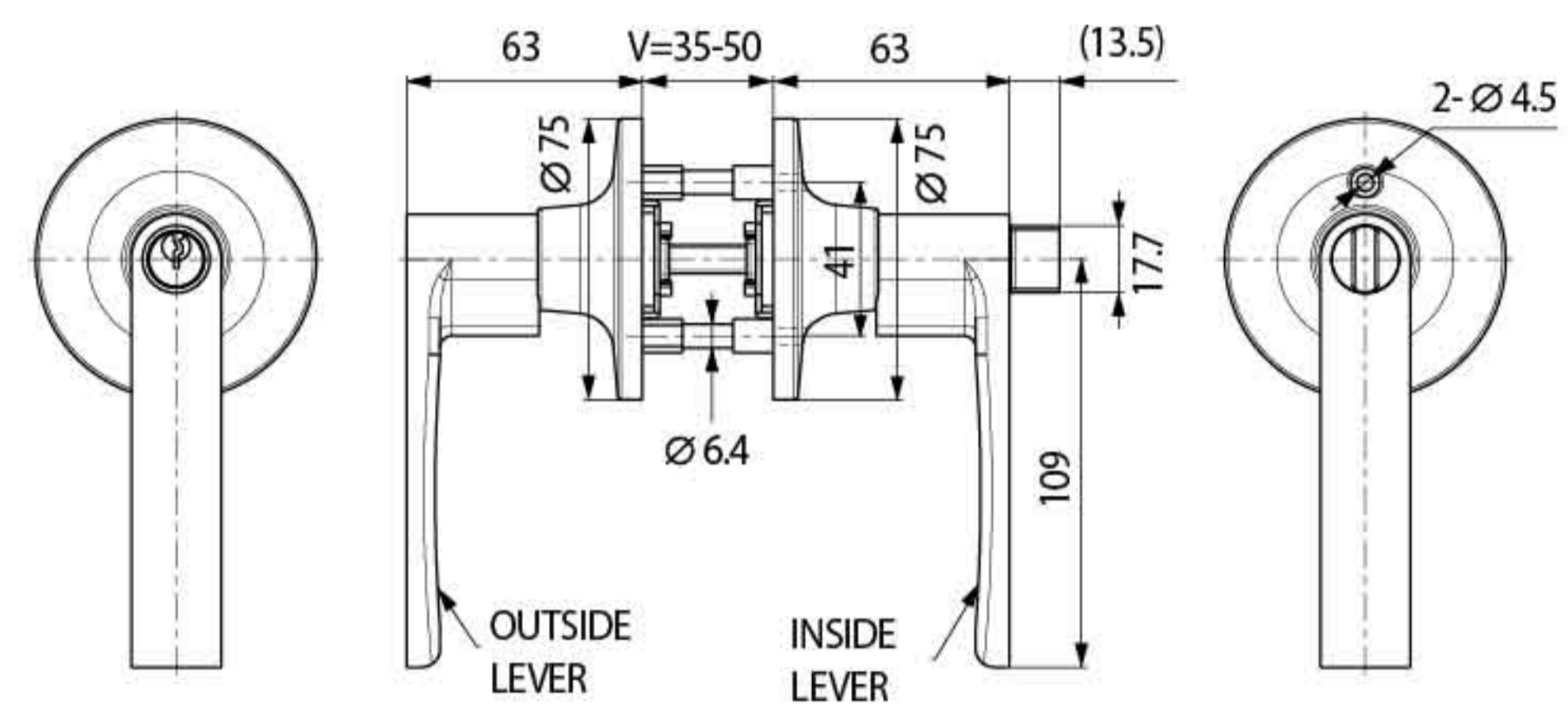


Specification

- Entry tubular lever W/3 standard
- Zinc alloy lever
- SUS304 square rose
- Backset : 60 to 70mm (adjustable)
- Door thickness : 35-50mm

Product Name

- TD321-L0000-BSN-60/70
- TD321-L0000-BLK-60/70
- TD321-L0000-PB-60/70
- TD321-L0000-AB-60/70
- TD321-L0000-AC-60/70
- TD321-L0000-SB-60/70
- TD321-L0000-ORB-60/70



Specification

- Entry tubular lever W/3 standard
- Zinc alloy lever
- SUS304 round rose
- Backset : 60 to 70mm (adjustable)
- Door thickness : 35-50mm

Product Name

- TD321-L0500-BSN-60/70
- TD321-L0500-BLK-60/70
- TD321-L0500-PB-60/70
- TD321-L0500-AB-60/70
- TD321-L0500-AC-60/70
- TD321-L0500-SB-60/70
- TD321-L0500-ORB-60/70

Finish



TUBULAR LEVER HANDLE



(computer key)



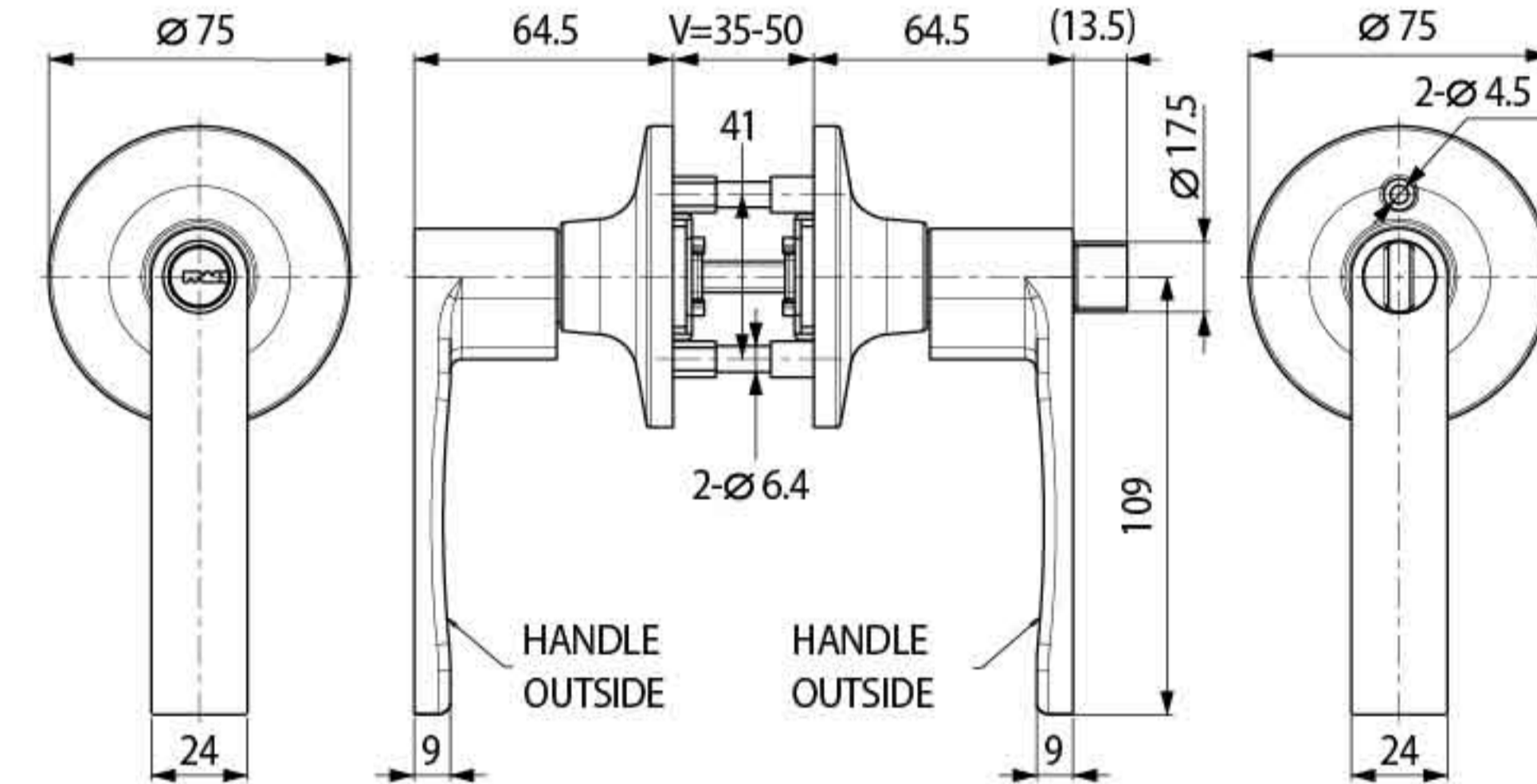
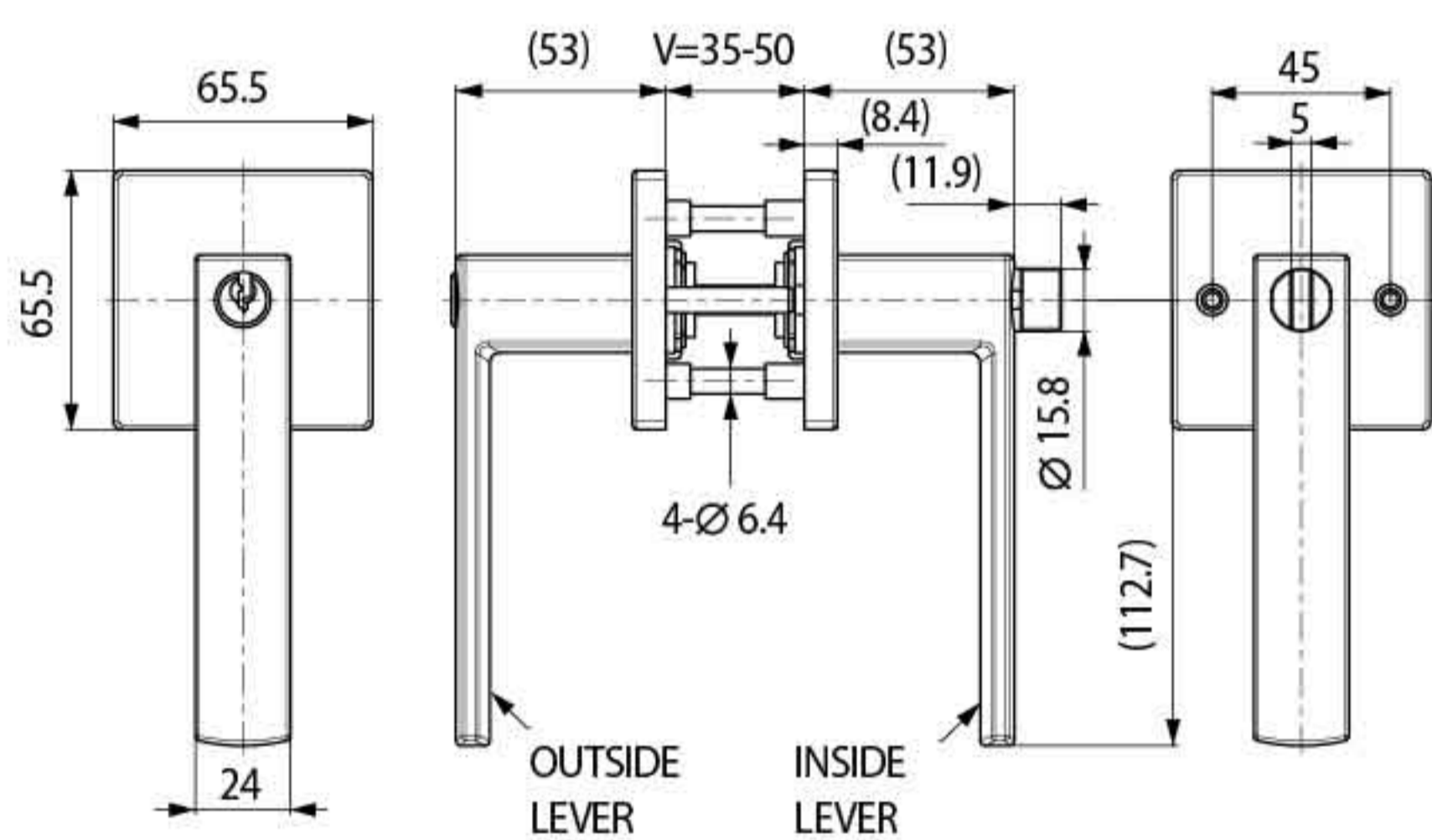
TD325-L0000-60/70



(computer key)



TD325-L0500-60/70



Specification

- Entry tubular lever W/5 computer keys
- Zinc alloy lever
- SUS304 square rose
- Backset : 60 to 70mm (adjustable)
- Door thickness : 35-50mm

Specification

- Entry tubular lever W/5 computer keys
- Zinc alloy lever
- SUS304 round rose
- Backset : 60 to 70mm (adjustable)
- Door thickness : 35-50mm

Product Name

- TD325-L0000-BSN-60/70
- TD325-L0000-BLK-60/70
- TD325-L0000-PB-60/70
- TD325-L0000-AB-60/70
- TD325-L0000-AC-60/70
- TD325-L0000-SB-60/70
- TD325-L0000-ORB-60/70

Product Name

- TD325-L0500-BSN-60/70
- TD325-L0500-BLK-60/70
- TD325-L0500-PB-60/70
- TD325-L0500-AB-60/70
- TD325-L0500-AC-60/70
- TD325-L0500-SB-60/70
- TD325-L0500-ORB-60/70

Finish



TUBULAR LEVER HANDLE



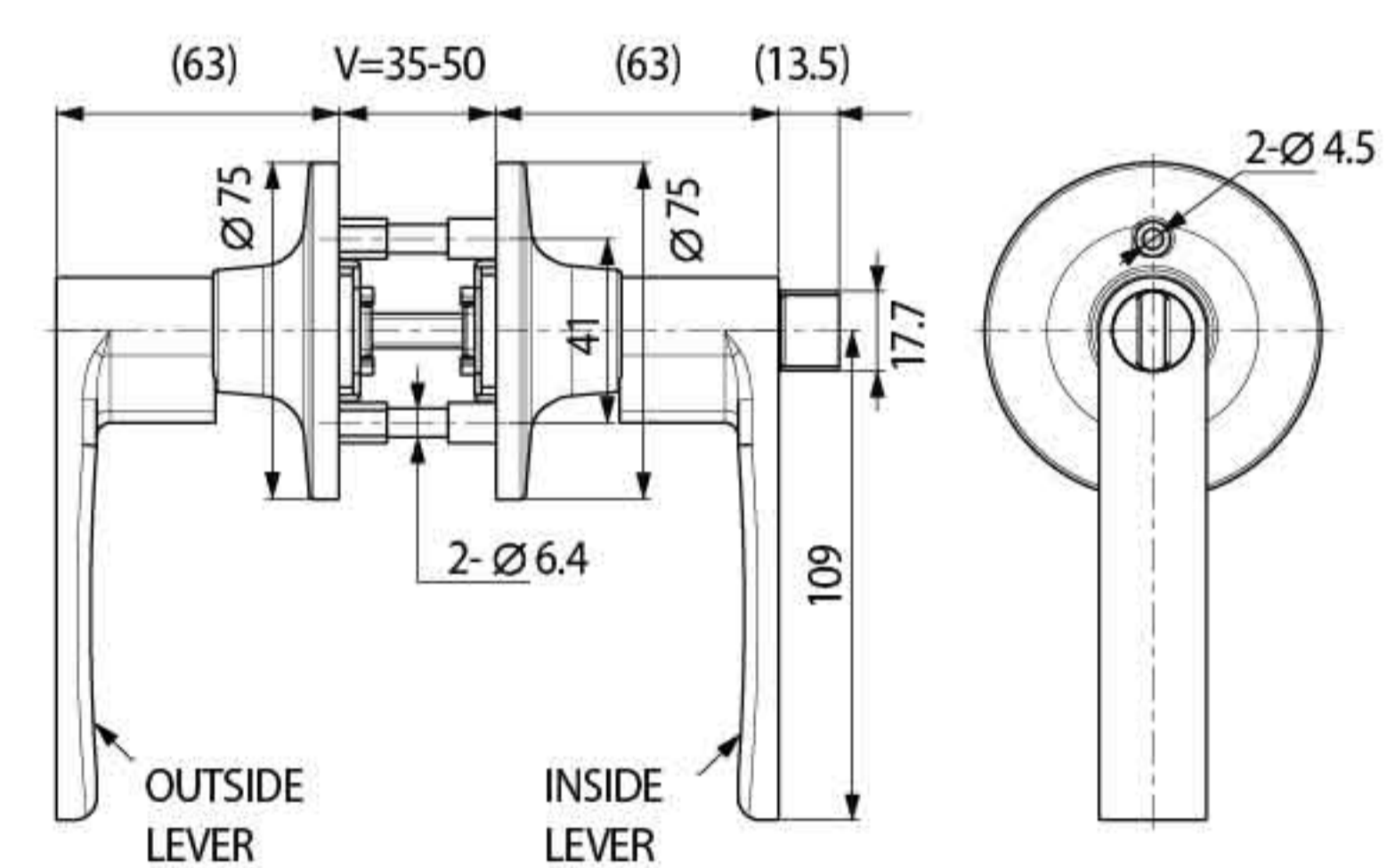
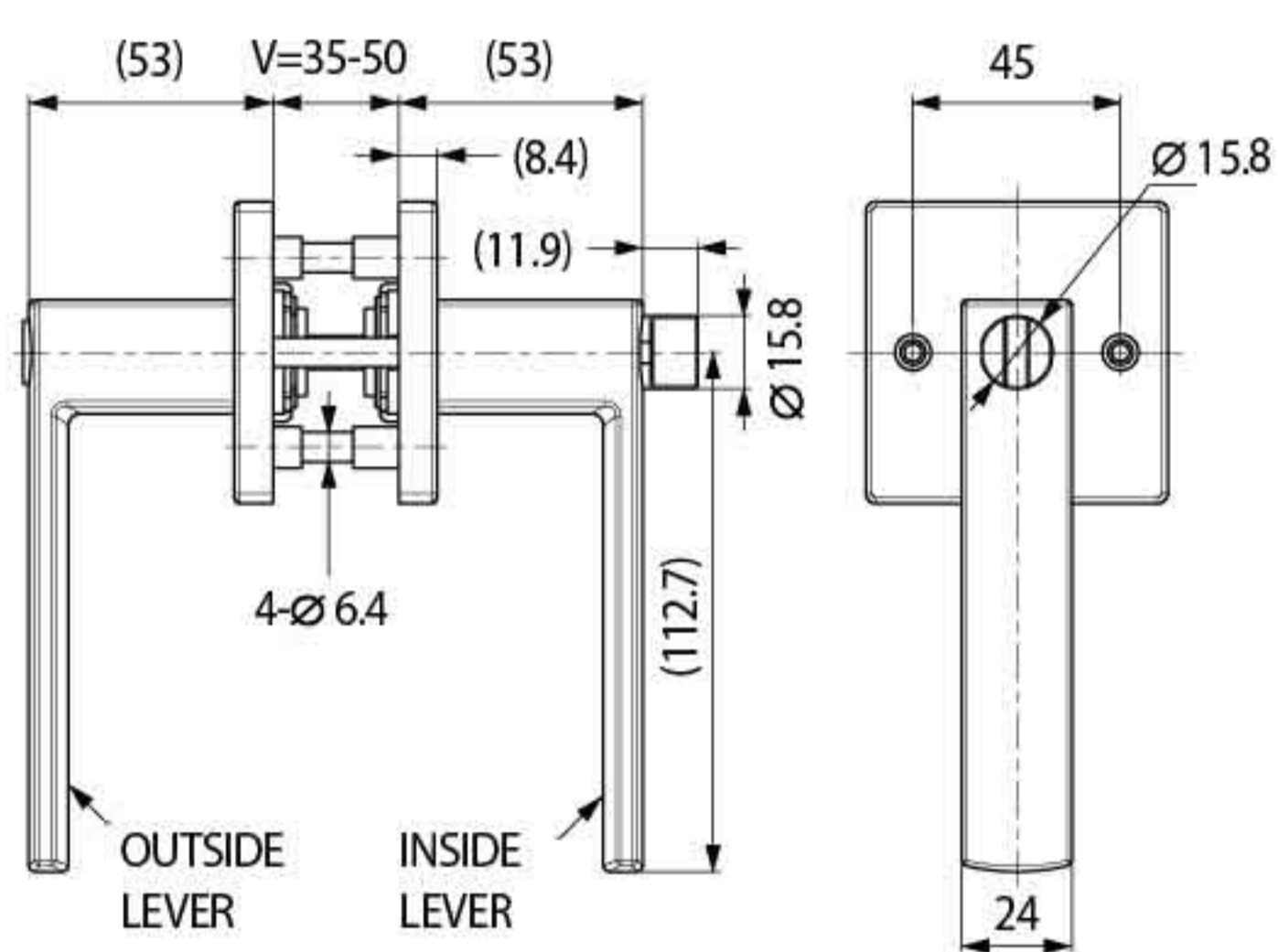
(privacy)

TD329-L0000-60/70



(privacy)

TD329-L0500-60/70



Specification

- Privacy tubular lever
- Zinc alloy lever
- SUS304 square rose
- Backset : 60 to 70mm (adjustable)
- Door thickness : 35-50mm

Product Name

- TD329-L0000-BSN-60/70
- TD329-L0000-BLK-60/70
- TD329-L0000-PB-60/70
- TD329-L0000-AB-60/70
- TD329-L0000-AC-60/70
- TD329-L0000-SB-60/70
- TD329-L0000-ORB-60/70

Specification

- Privacy tubular lever
- Zinc alloy lever
- SUS304 round rose
- Backset : 60 to 70mm (adjustable)
- Door thickness : 35-50mm

Product Name

- TD329-L0500-BSN-60/70
- TD329-L0500-BLK-60/70
- TD329-L0500-PB-60/70
- TD329-L0500-AB-60/70
- TD329-L0500-AC-60/70
- TD329-L0500-SB-60/70
- TD329-L0500-ORB-60/70

Finish



TUBULAR DEAD BOLT



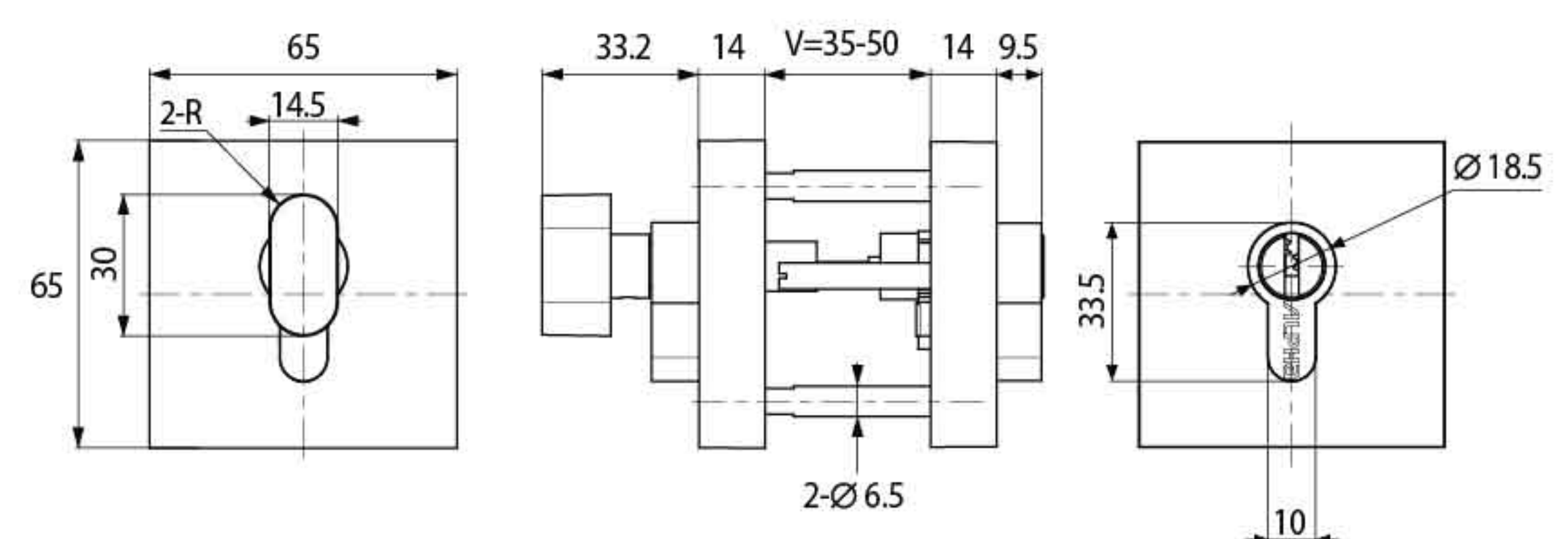
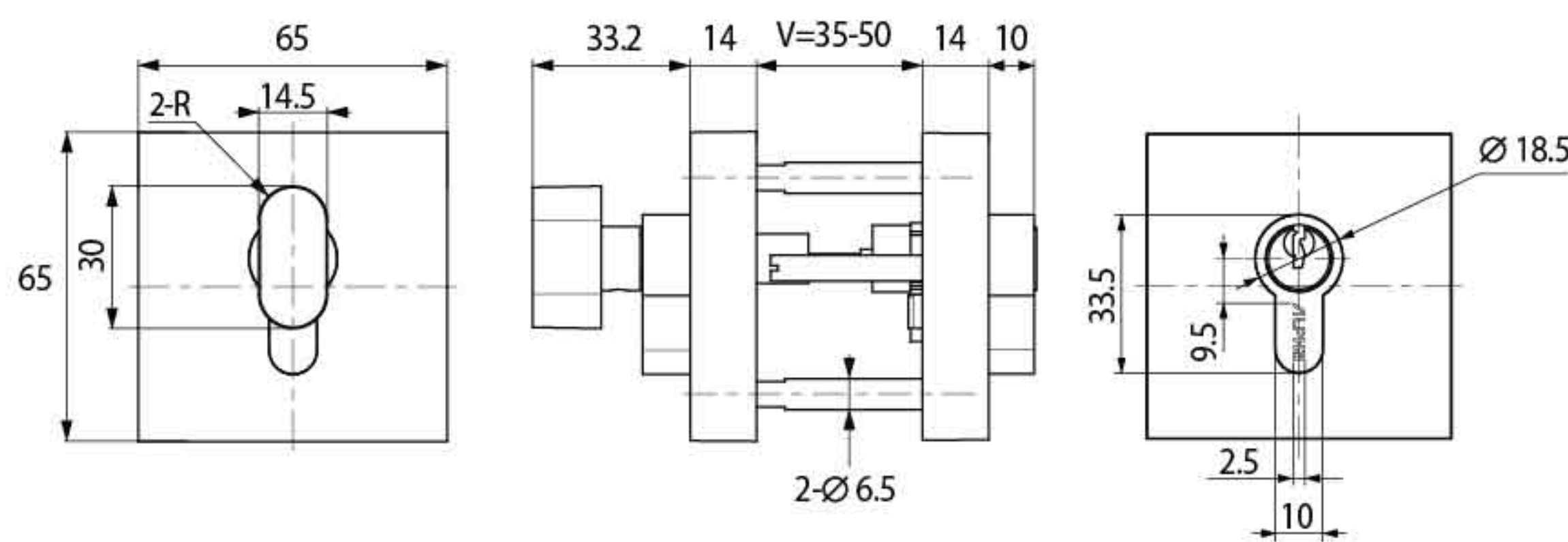
(pin cylinder key)

TD201-C1000-60/70



(computer key)

TD205-C1000-60/70



Specification

- Single cylinder W/3 Standard
- Square rose with ZINC ALLOY
- Backset : 60 and 70mm (adjustable)
- Door thickness : 35-50mm

Specification

- Single cylinder W/5 computer keys
- Square rose with ZINC ALLOY
- Backset : 60 and 70mm (adjustable)
- Door thickness : 35-50mm

Product Name

- TD201-C1000-BSN-60/70
- TD201-C1000-BLK-60/70
- TD201-C1000-PB-60/70
- TD201-C1000-AB-60/70
- TD201-C1000-AC-60/70
- TD201-C1000-SB-60/70
- TD201-C1000-ORB-60/70

Product Name

- TD205-C1000-BSN-60/70
- TD205-C1000-BLK-60/70
- TD205-C1000-PB-60/70
- TD205-C1000-AB-60/70
- TD205-C1000-AC-60/70
- TD205-C1000-SB-60/70
- TD205-C1000-ORB-60/70

Finish



TUBULAR DEAD BOLT

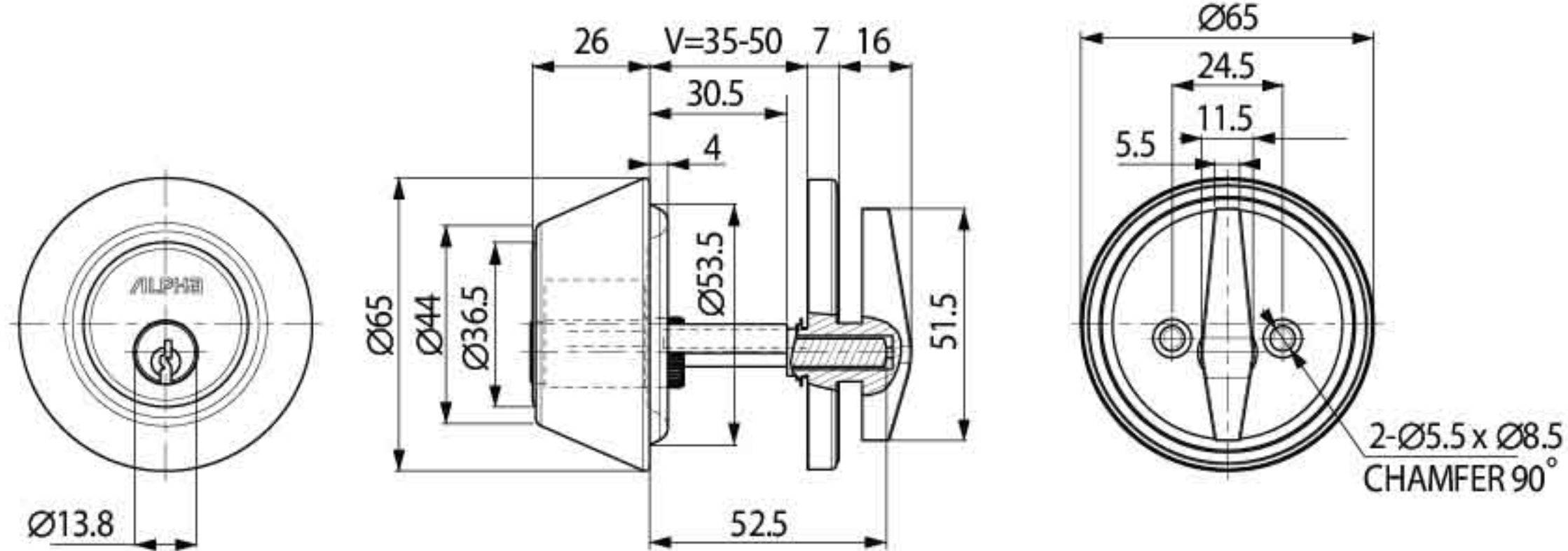


TD201-C0001-60/70



(iron core deadbolt)

TD201-C0002-60/70

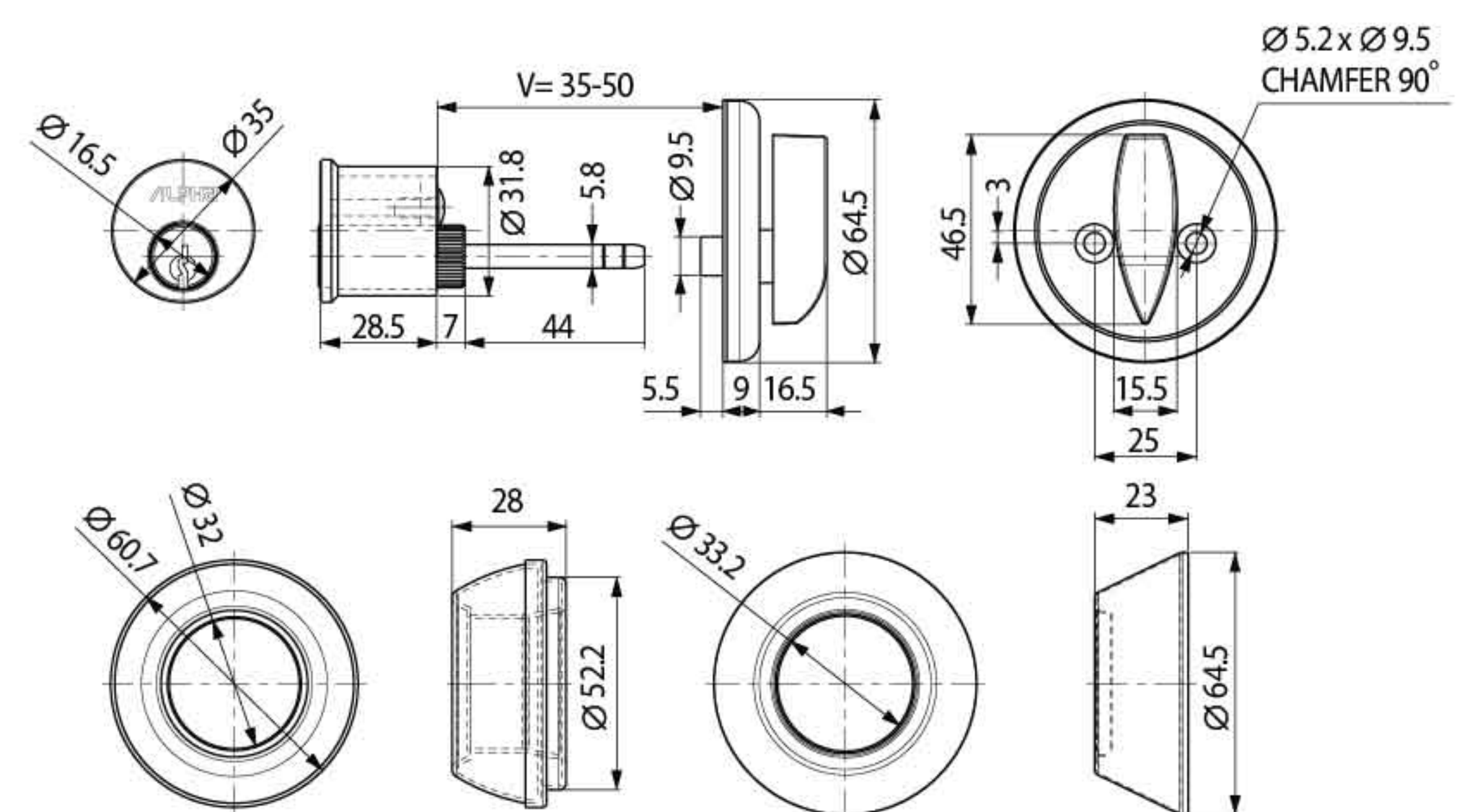


Specification

- Single cylinder W/3 Standard
- SUS304 round rose
- Backset : 60 and 70mm (adjustable)
- Door thickness : 35-50mm

Product Name

- TD201-C0001-SS-60/70
- TD201-C0001-PB-60/70
- TD201-C0001-AB-60/70
- TD201-C0001-BLK-60/70
- TD201-C0001-ORB-60/70
- TD201-C0001-PS-60/70
- TD201-C0001-AC-60/70
- TD201-C0001-SB-60/70



Specification

- Single cylinder W/3 Standard
- SUS304 round rose
- Backset : 60 and 70mm (adjustable)
- Door thickness : 35-50mm
- Brass with iron core dead bolt

Product Name

- TD201-C0002-SS-60/70
- TD201-C0002-PB-60/70
- TD201-C0002-AB-60/70
- TD201-C0002-BLK-60/70
- TD201-C0002-ORB-60/70
- TD201-C0002-PS-60/70
- TD201-C0002-AC-60/70
- TD201-C0002-SB-60/70

Finish





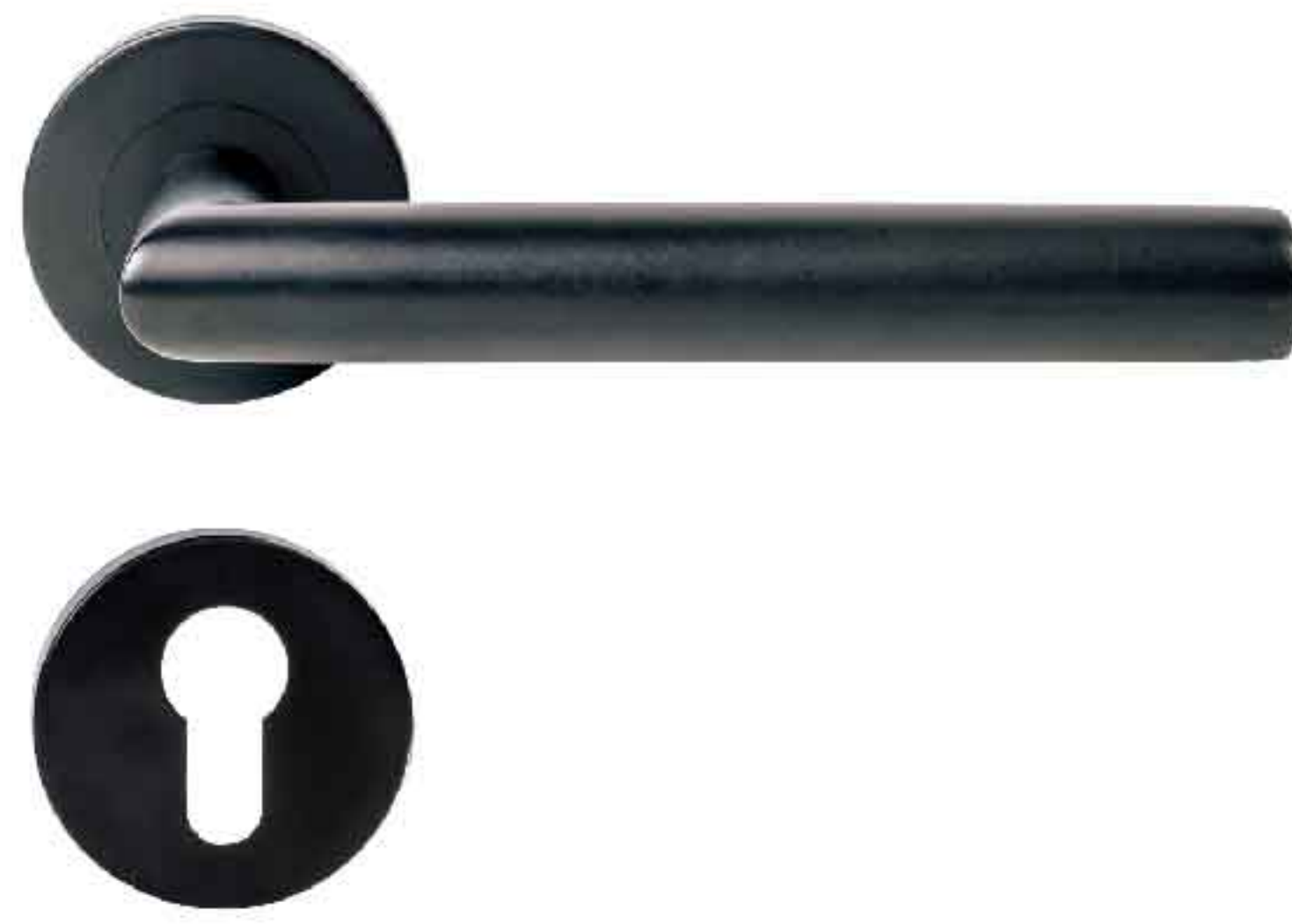
MORTISE LOCK

モーチスロック

HOLLOW HANDLE



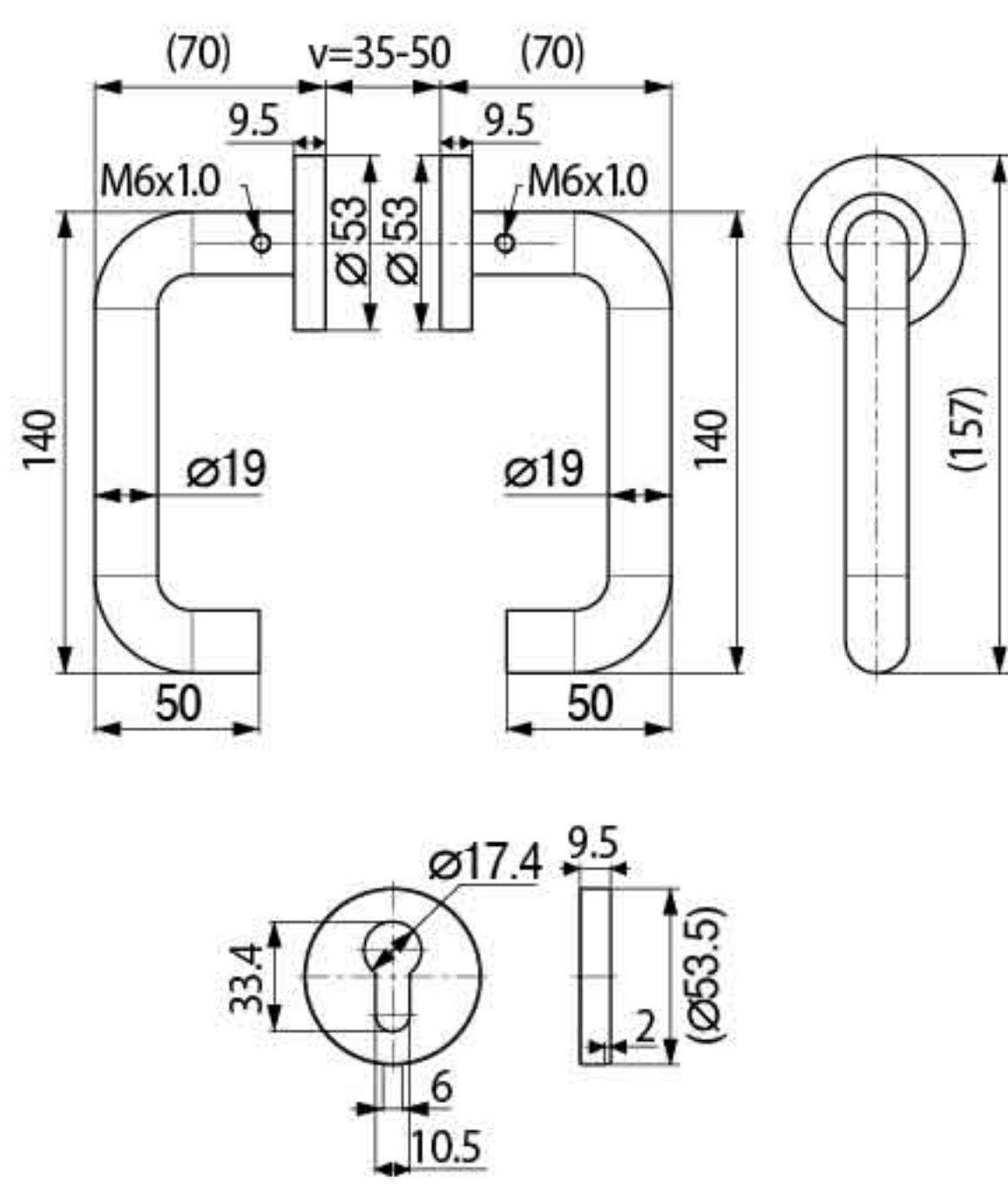
ML-HOLLOW001



ML-HOLLOW002



ML-HOLLOW003

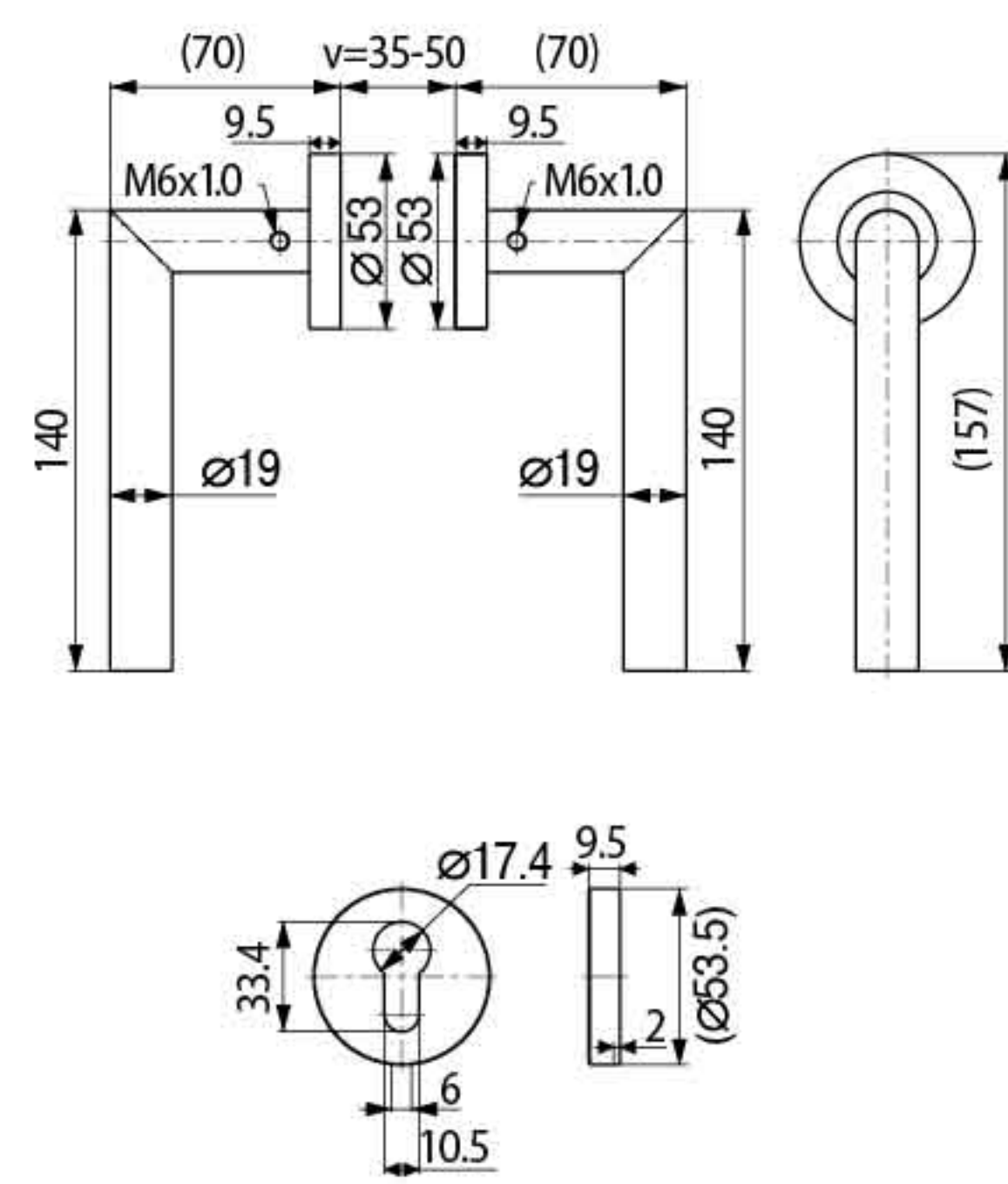


Specification

- Material : SUS304
- Hollow Handle
- Door thickness : 35-50mm

Product Name

- ML-HOLLOW001-SS
- ML-HOLLOW001-PB
- ML-HOLLOW001-AB
- ML-HOLLOW001-BLK
- ML-HOLLOW001-ORB
- ML-HOLLOW001-PS
- ML-HOLLOW001-AC
- ML-HOLLOW001-SB

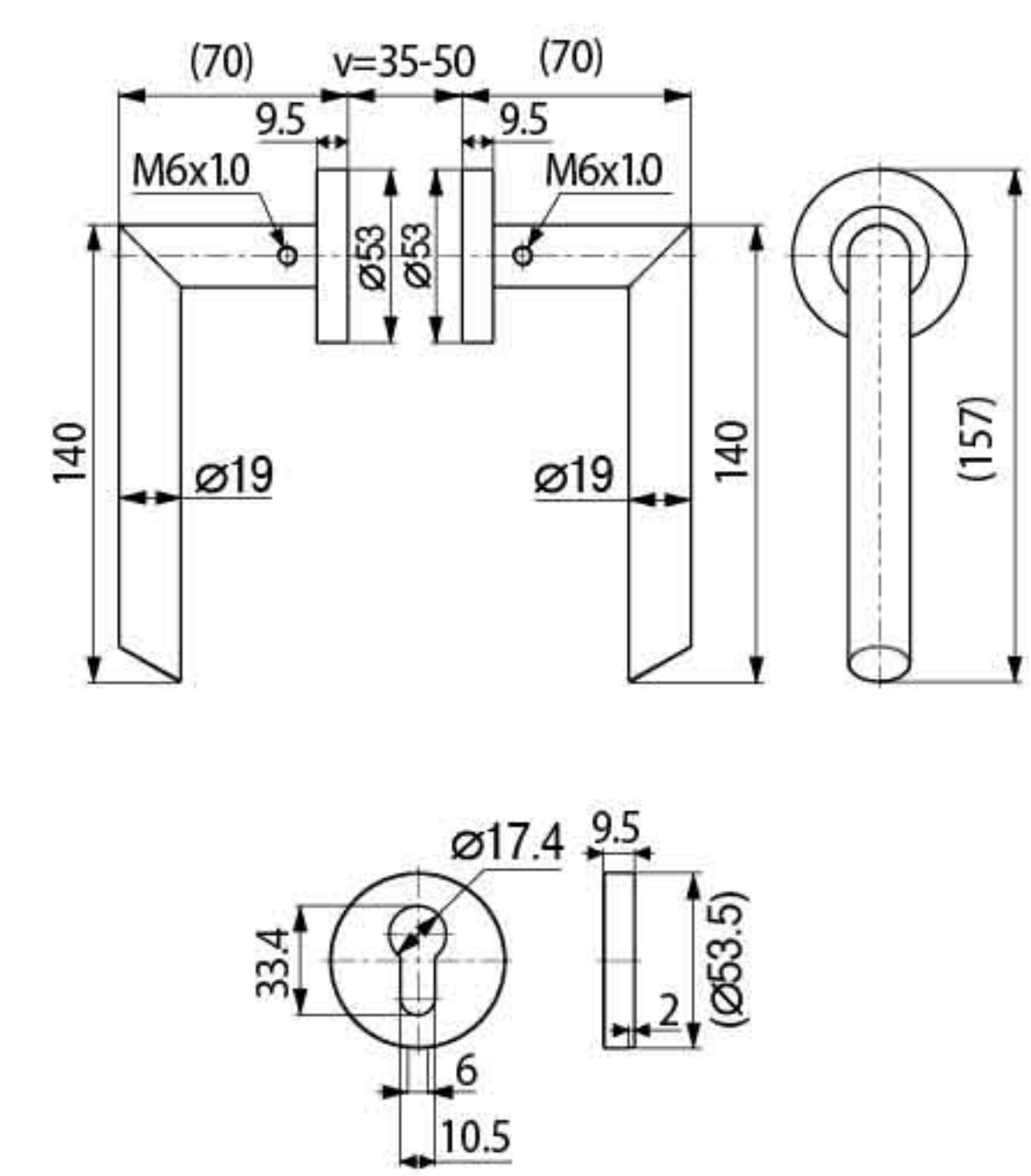


Specification

- Material : SUS304
- Hollow Handle
- Door thickness : 35-50mm

Product Name

- ML-HOLLOW002-SS
- ML-HOLLOW002-PB
- ML-HOLLOW002-AB
- ML-HOLLOW002-BLK
- ML-HOLLOW002-ORB
- ML-HOLLOW002-PS
- ML-HOLLOW002-AC
- ML-HOLLOW002-SB



Specification

- Material : SUS304
- Hollow Handle
- Door thickness : 35-50mm

Product Name

- ML-HOLLOW003-SS
- ML-HOLLOW003-PB
- ML-HOLLOW003-AB
- ML-HOLLOW003-BLK
- ML-HOLLOW003-ORB
- ML-HOLLOW003-PS
- ML-HOLLOW003-AC
- ML-HOLLOW003-SB

Finish



HOLLOW HANDLE



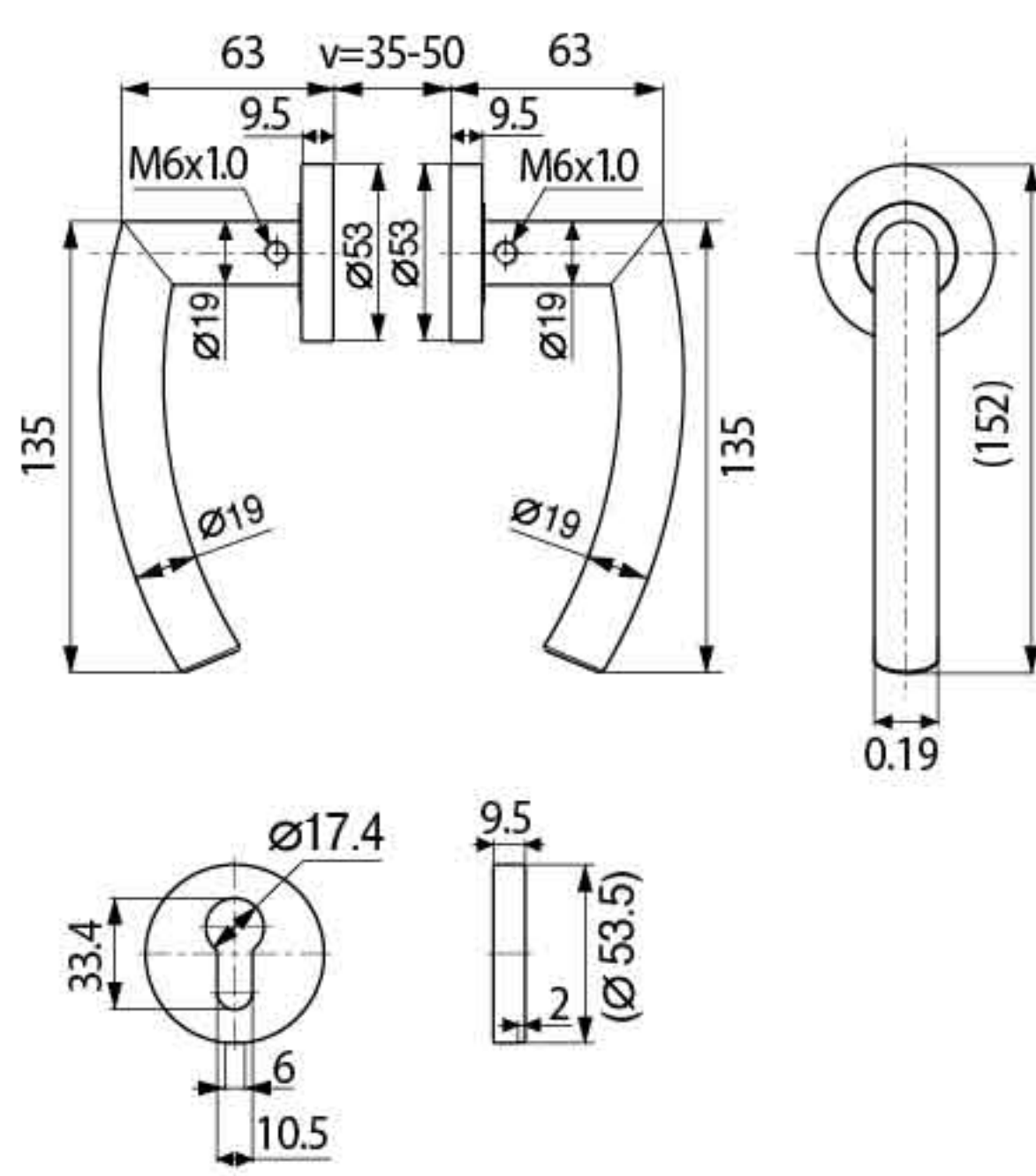
ML-HOLLOW004



ML-HOLLOW005

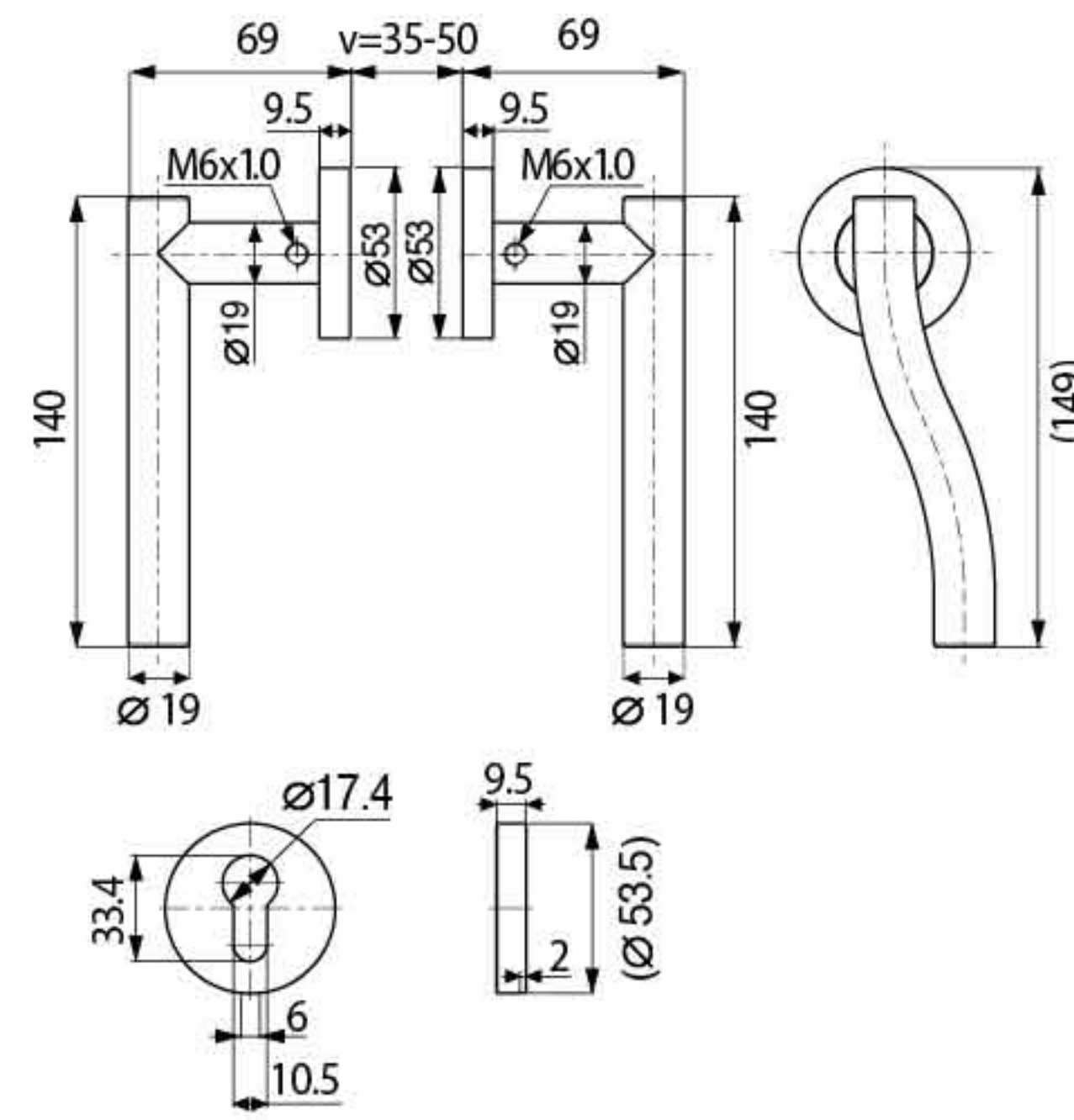


ML-HOLLOW006



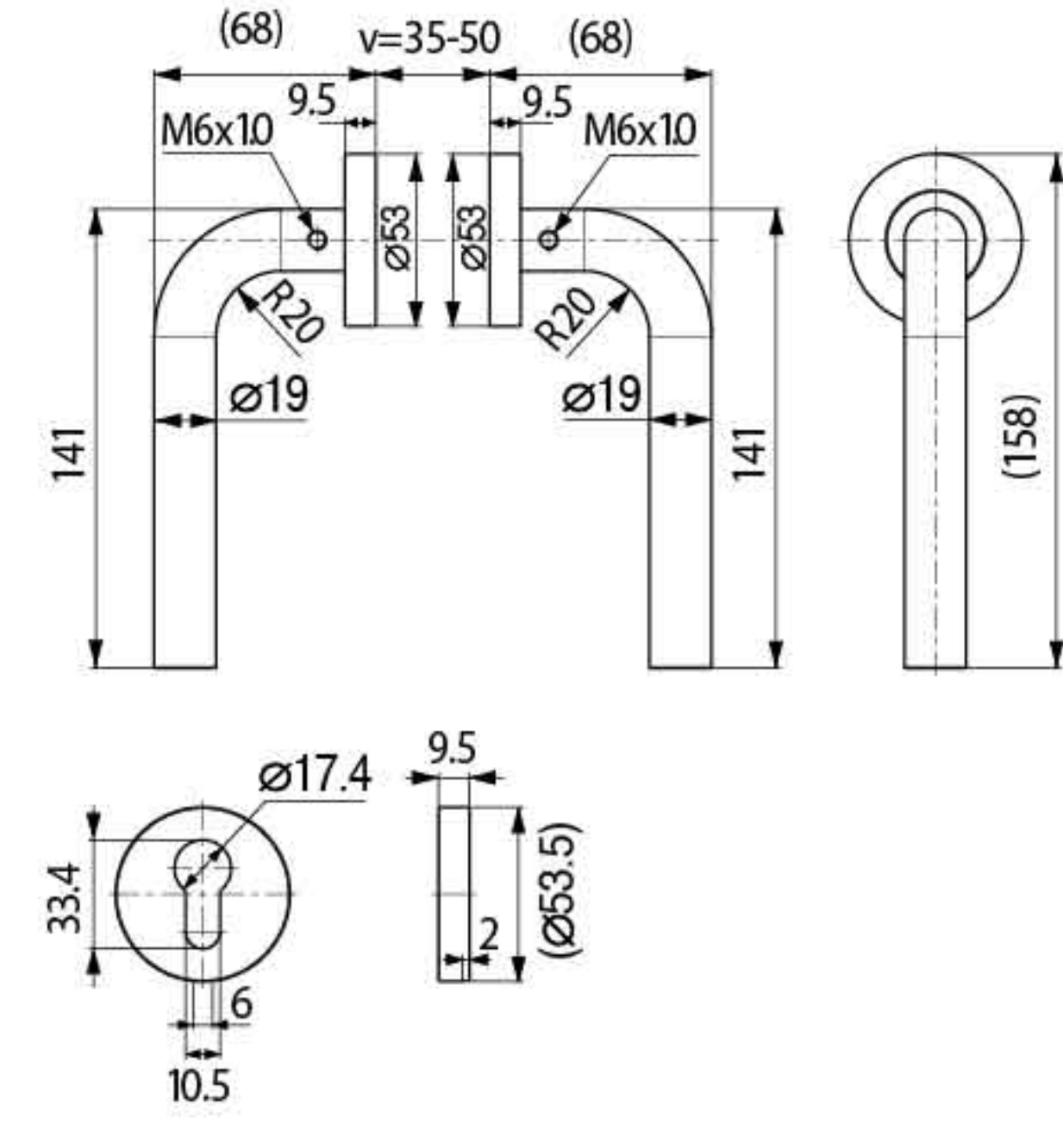
Specification

- Material : SUS304
- Hollow Handle
- Door thickness : 35-50mm



Specification

- Material : SUS304
- Hollow Handle
- Door thickness : 35-50mm



Specification

- Material : SUS304
- Hollow Handle
- Door thickness : 35-50mm

Product Name

- ML-HOLLOW004-SS
- ML-HOLLOW004-PB
- ML-HOLLOW004-AB
- ML-HOLLOW004-BLK
- ML-HOLLOW004-ORB
- ML-HOLLOW004-PS
- ML-HOLLOW004-AC
- ML-HOLLOW004-SB

Product Name

- ML-HOLLOW005-SS
- ML-HOLLOW005-PB
- ML-HOLLOW005-AB
- ML-HOLLOW005-BLK
- ML-HOLLOW005-ORB
- ML-HOLLOW005-PS
- ML-HOLLOW005-AC
- ML-HOLLOW005-SB

Product Name

- ML-HOLLOW006-SS
- ML-HOLLOW006-PB
- ML-HOLLOW006-AB
- ML-HOLLOW006-BLK
- ML-HOLLOW006-ORB
- ML-HOLLOW006-PS
- ML-HOLLOW006-AC
- ML-HOLLOW006-SB

Finish



HOLLOW HANDLE



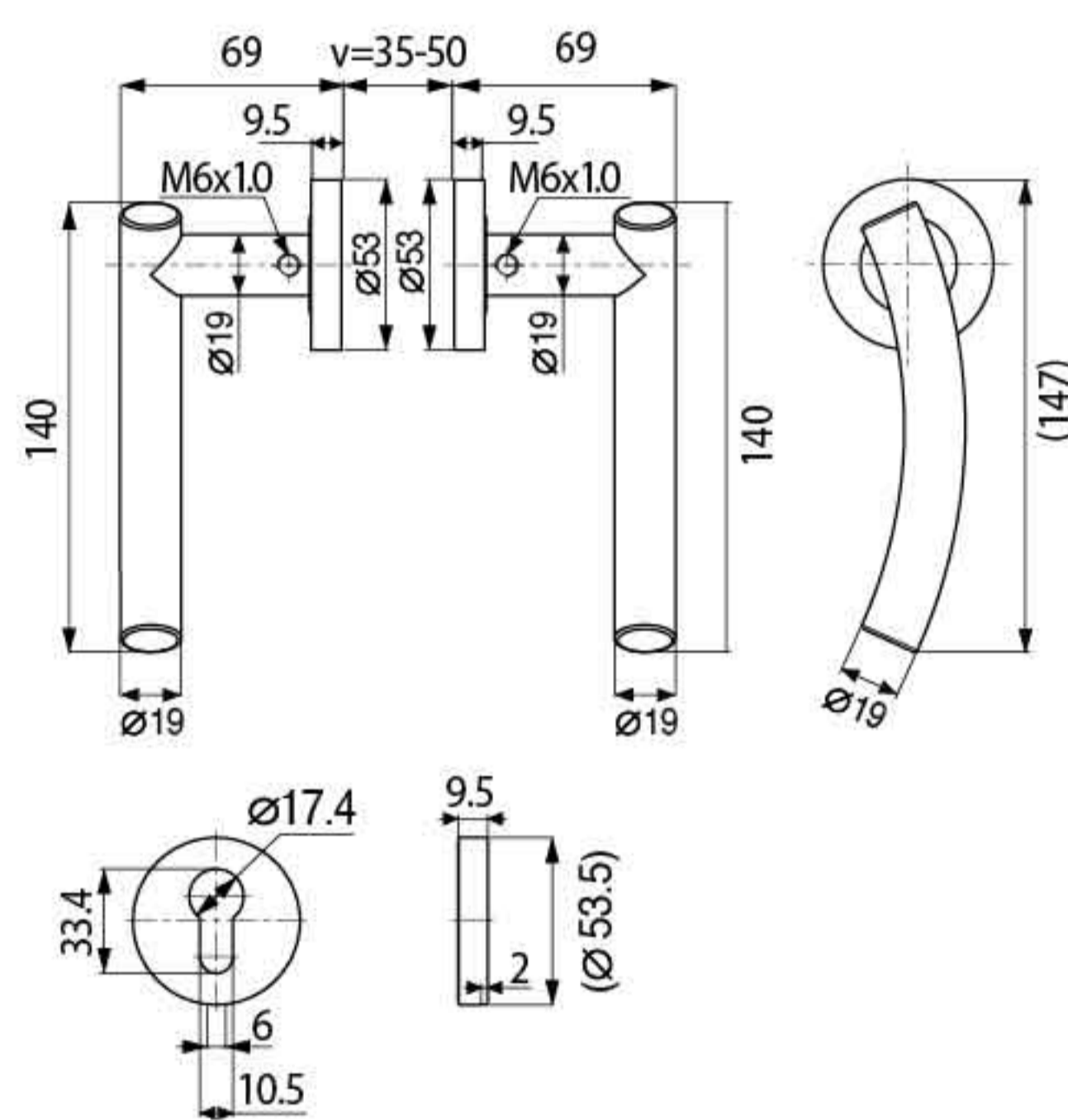
ML-HOLLOW007



ML-HOLLOW008



ML-HOLLOW009

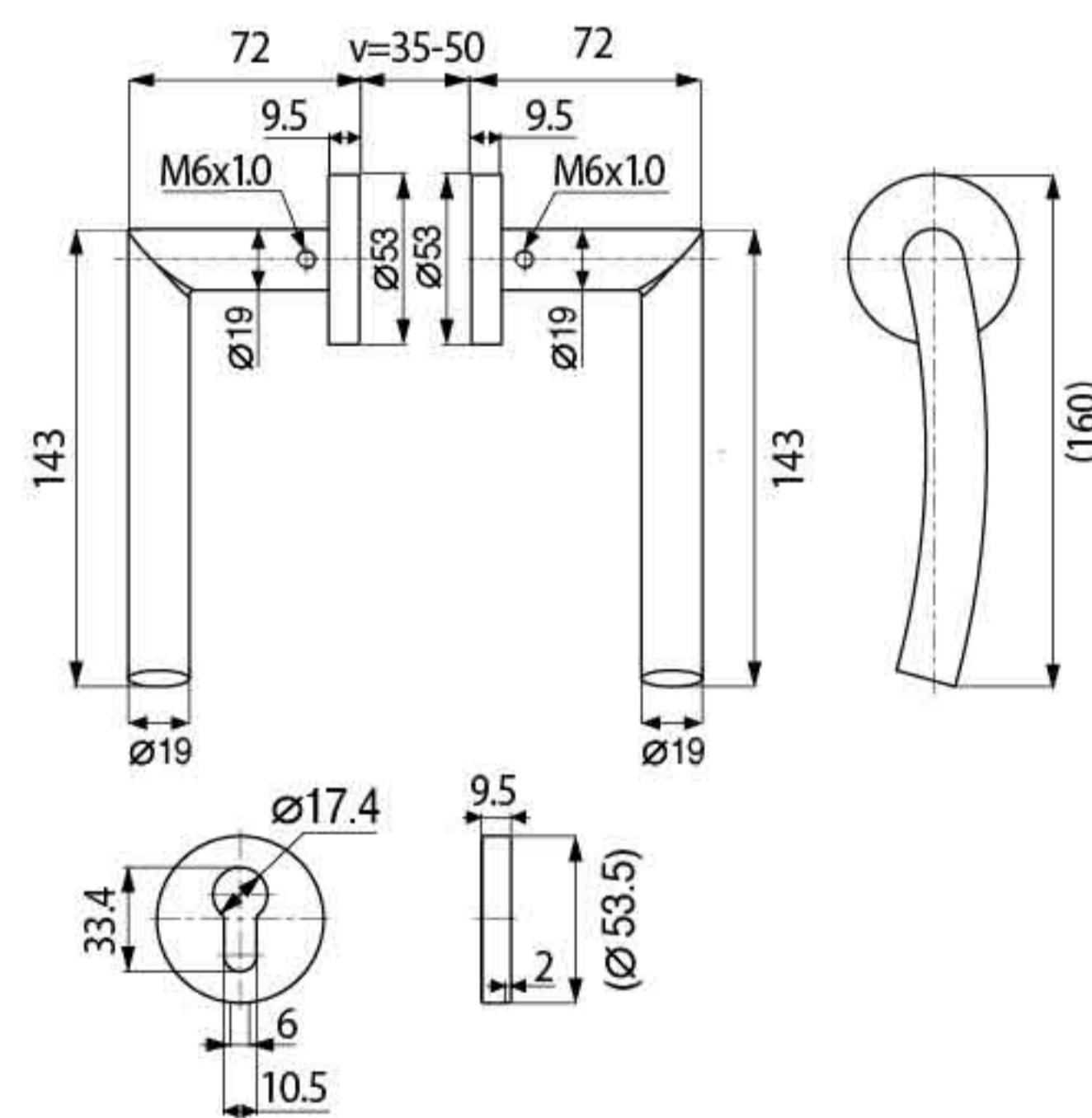


Specification

- Material : SUS304
- Hollow Handle
- Door thickness : 35-50mm

Product Name

- ML-HOLLOW007-SS
- ML-HOLLOW007-PB
- ML-HOLLOW007-AB
- ML-HOLLOW007-BLK
- ML-HOLLOW007-ORB
- ML-HOLLOW007-PS
- ML-HOLLOW007-AC
- ML-HOLLOW007-SB

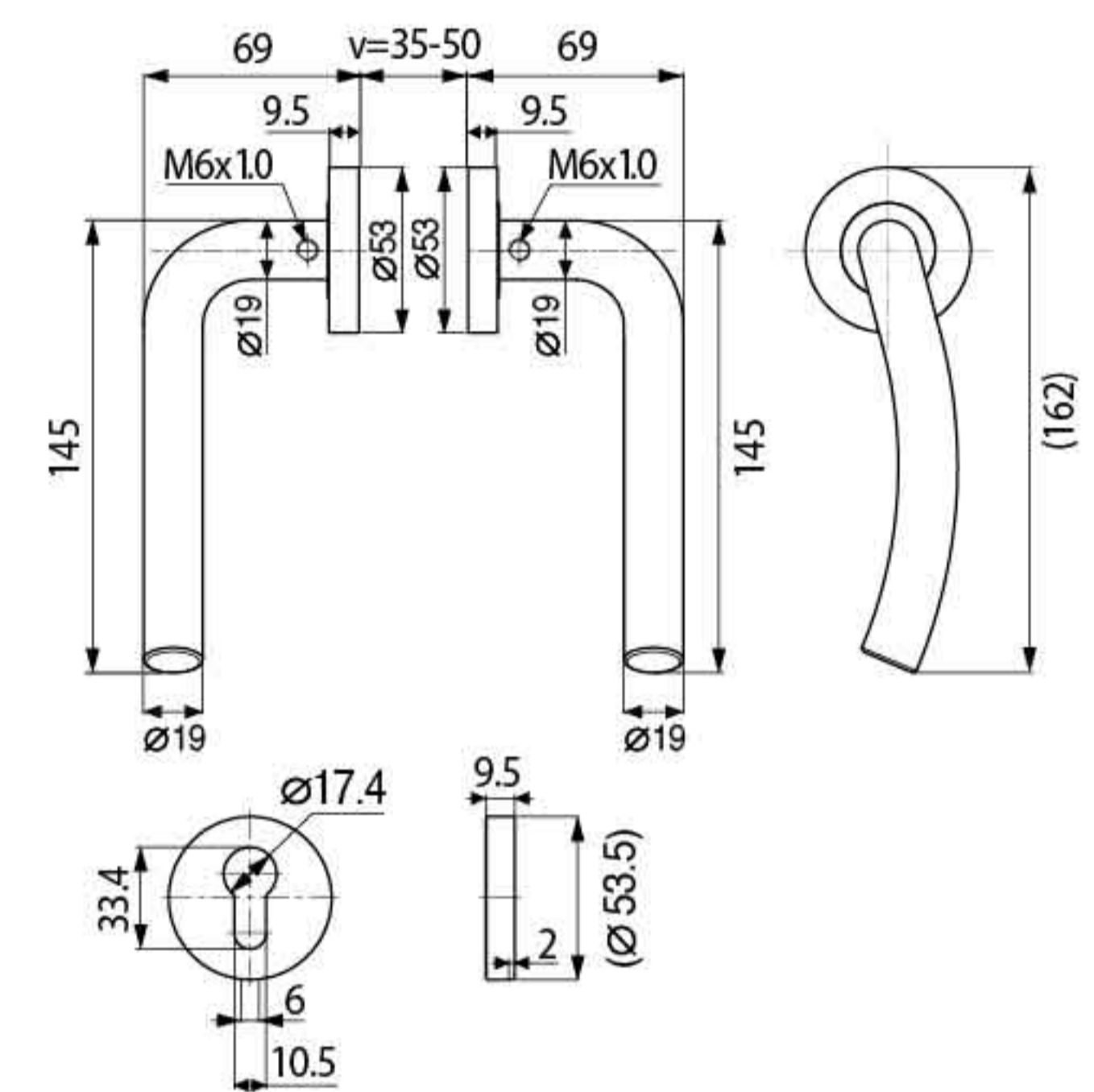


Specification

- Material : SUS304
- Hollow Handle
- Door thickness : 35-50mm

Product Name

- ML-HOLLOW008-SS
- ML-HOLLOW008-PB
- ML-HOLLOW008-AB
- ML-HOLLOW008-BLK
- ML-HOLLOW008-ORB
- ML-HOLLOW008-PS
- ML-HOLLOW008-AC
- ML-HOLLOW008-SB



Specification

- Material : SUS304
- Hollow Handle
- Door thickness : 35-50mm

Product Name

- ML-HOLLOW009-SS
- ML-HOLLOW009-PB
- ML-HOLLOW009-AB
- ML-HOLLOW009-BLK
- ML-HOLLOW009-ORB
- ML-HOLLOW009-PS
- ML-HOLLOW009-AC
- ML-HOLLOW009-SB

Finish



SS

PB

AB

BLK

ORB

PS

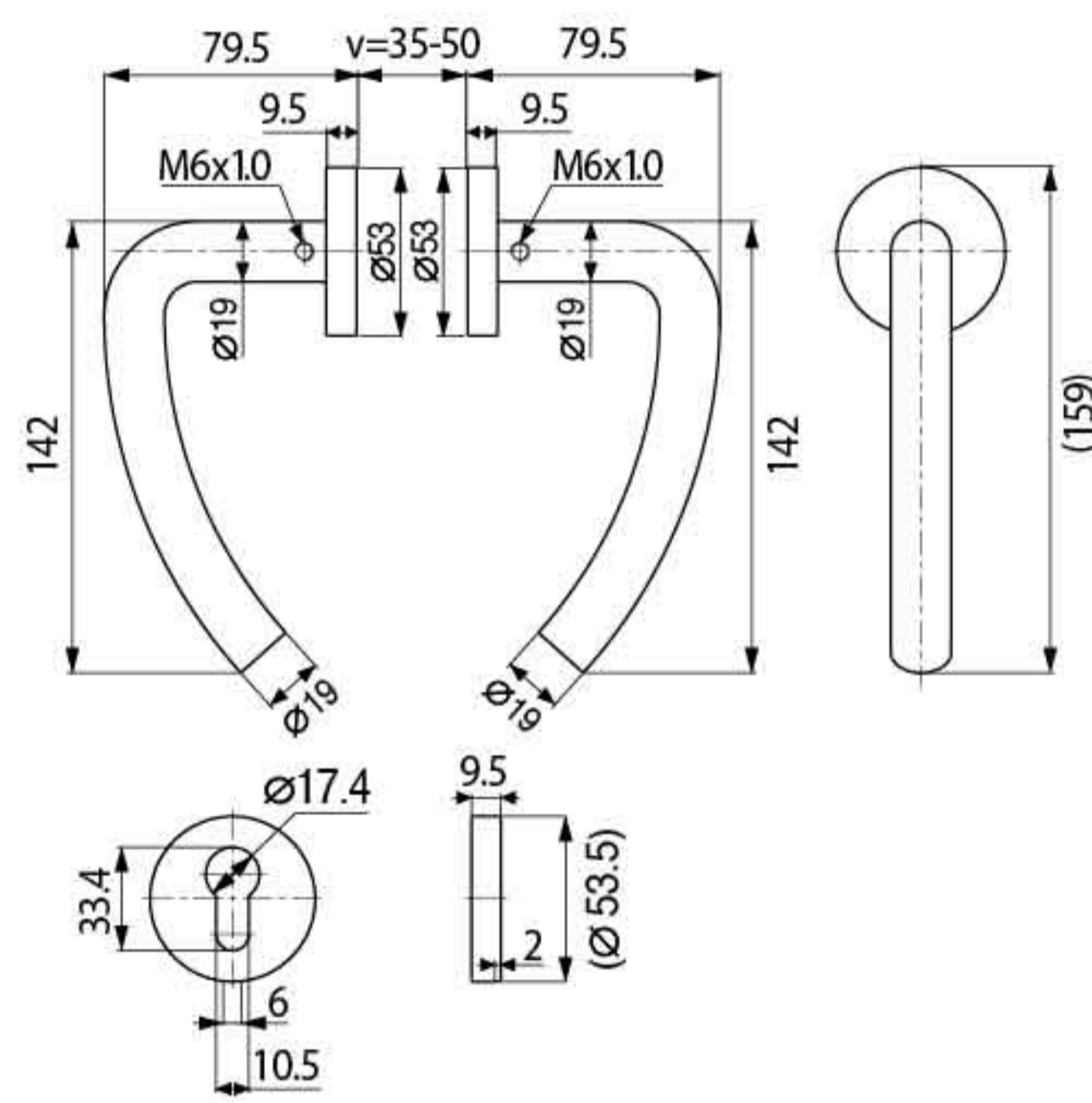
AC

SB

HOLLOW HANDLE



ML-HOLLOW010



Specification

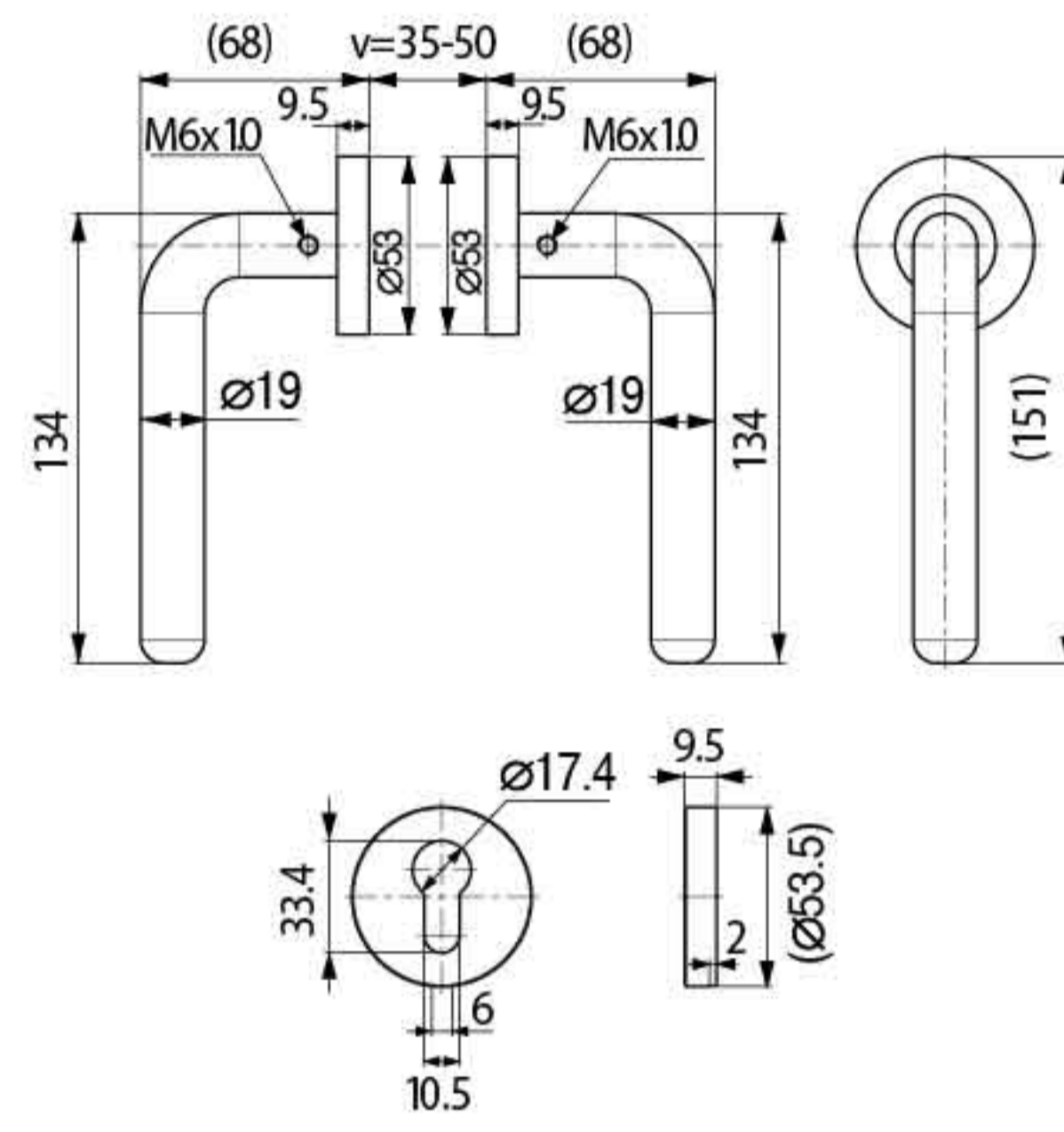
- Material : SUS304
- Hollow Handle
- Door thickness : 35-50mm

Product Name

- ML-HOLLOW010-SS
- ML-HOLLOW010-PB
- ML-HOLLOW010-AB
- ML-HOLLOW010-BLK
- ML-HOLLOW010-ORB
- ML-HOLLOW010-PS
- ML-HOLLOW010-AC
- ML-HOLLOW010-SB



ML-HOLLOW011



Specification

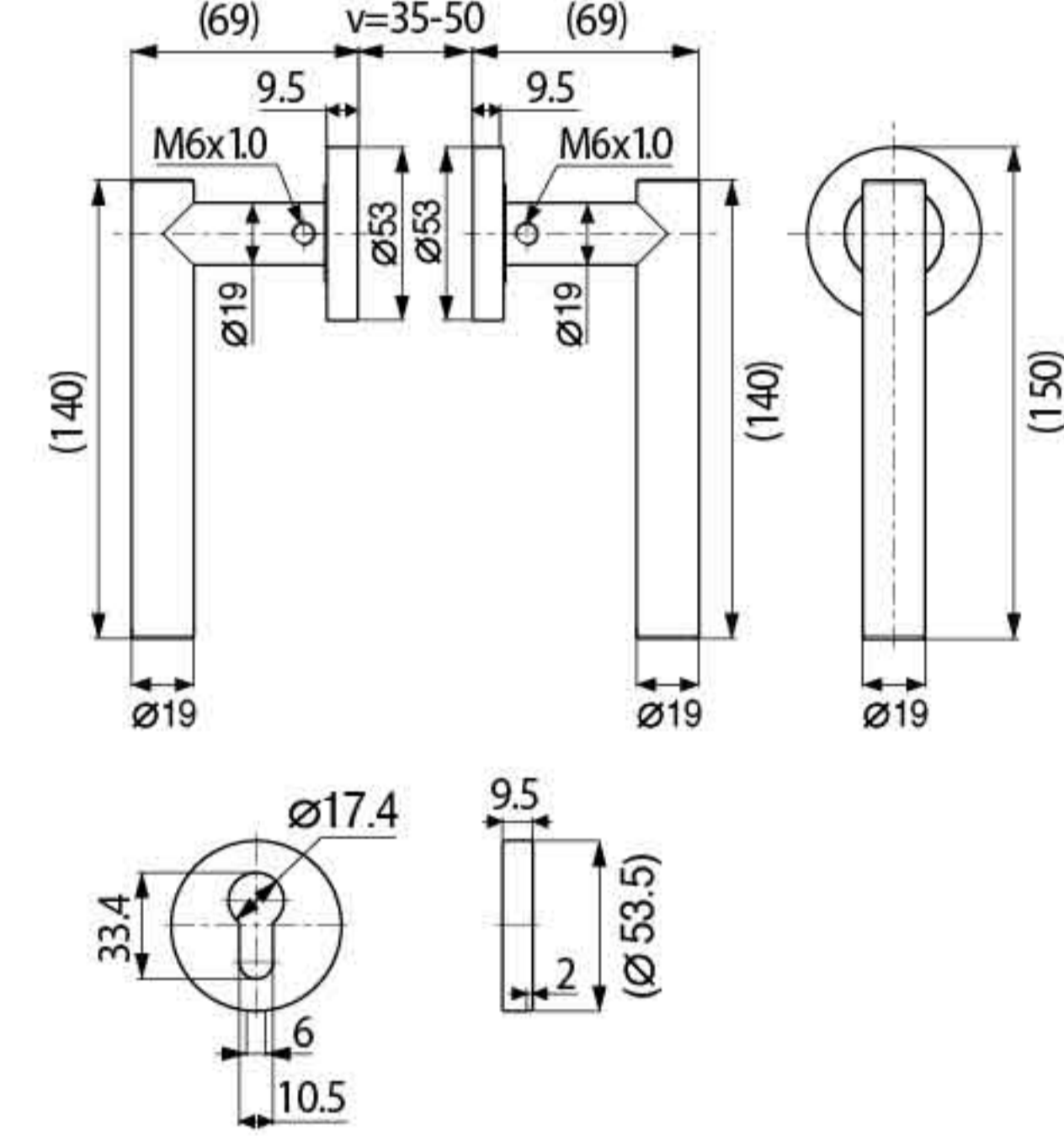
- Material : SUS304
- Hollow Handle
- Door thickness : 35-50mm

Product Name

- ML-HOLLOW011-SS
- ML-HOLLOW011-PB
- ML-HOLLOW011-AB
- ML-HOLLOW011-BLK
- ML-HOLLOW011-ORB
- ML-HOLLOW011-PS
- ML-HOLLOW011-AC
- ML-HOLLOW011-SB



ML-HOLLOW012



Specification

- Material : SUS304
- Hollow Handle
- Door thickness : 35-50mm

Product Name

- ML-HOLLOW012-SS
- ML-HOLLOW012-PB
- ML-HOLLOW012-AB
- ML-HOLLOW012-BLK
- ML-HOLLOW012-ORB
- ML-HOLLOW012-PS
- ML-HOLLOW012-AC
- ML-HOLLOW012-SB

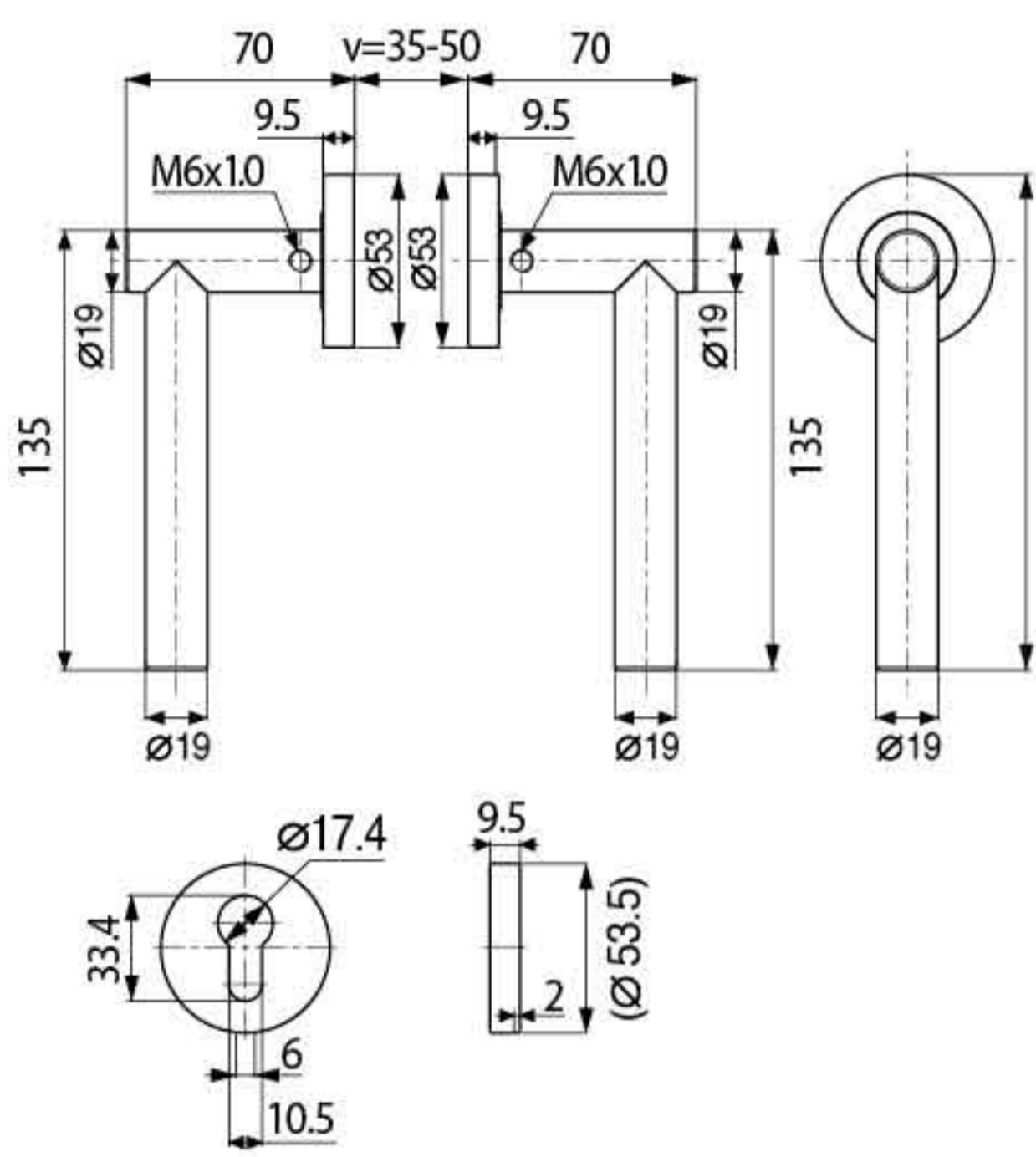
Finish



HOLLOW HANDLE



ML-HOLLOW013



Specification

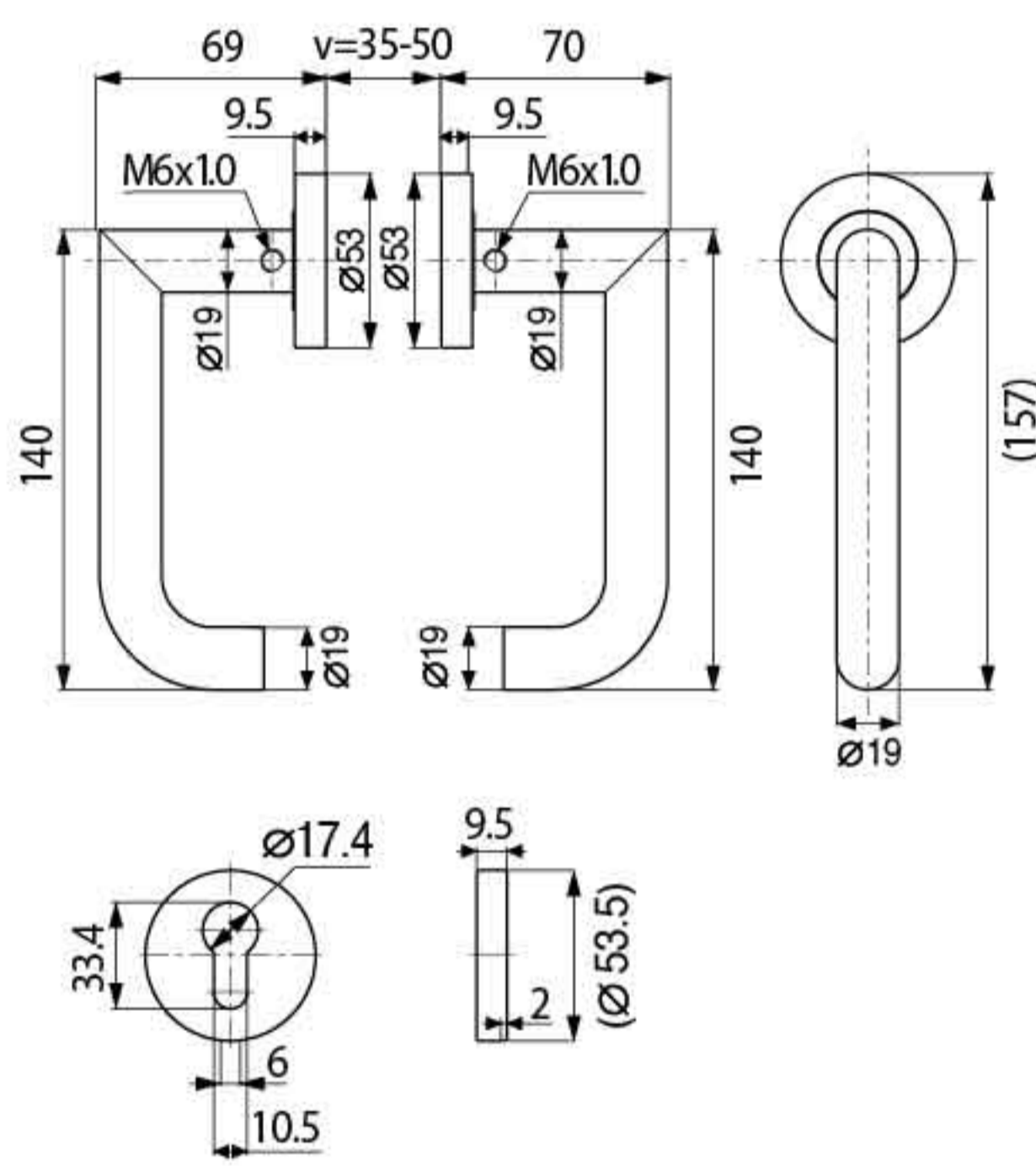
- Material : SUS304
- Hollow Handle
- Door thickness : 35-50mm

Product Name

- ML-HOLLOW013-SS
- ML-HOLLOW013-PB
- ML-HOLLOW013-AB
- ML-HOLLOW013-BLK
- ML-HOLLOW013-ORB
- ML-HOLLOW013-PS
- ML-HOLLOW013-AC
- ML-HOLLOW013-SB



ML-HOLLOW014



Specification

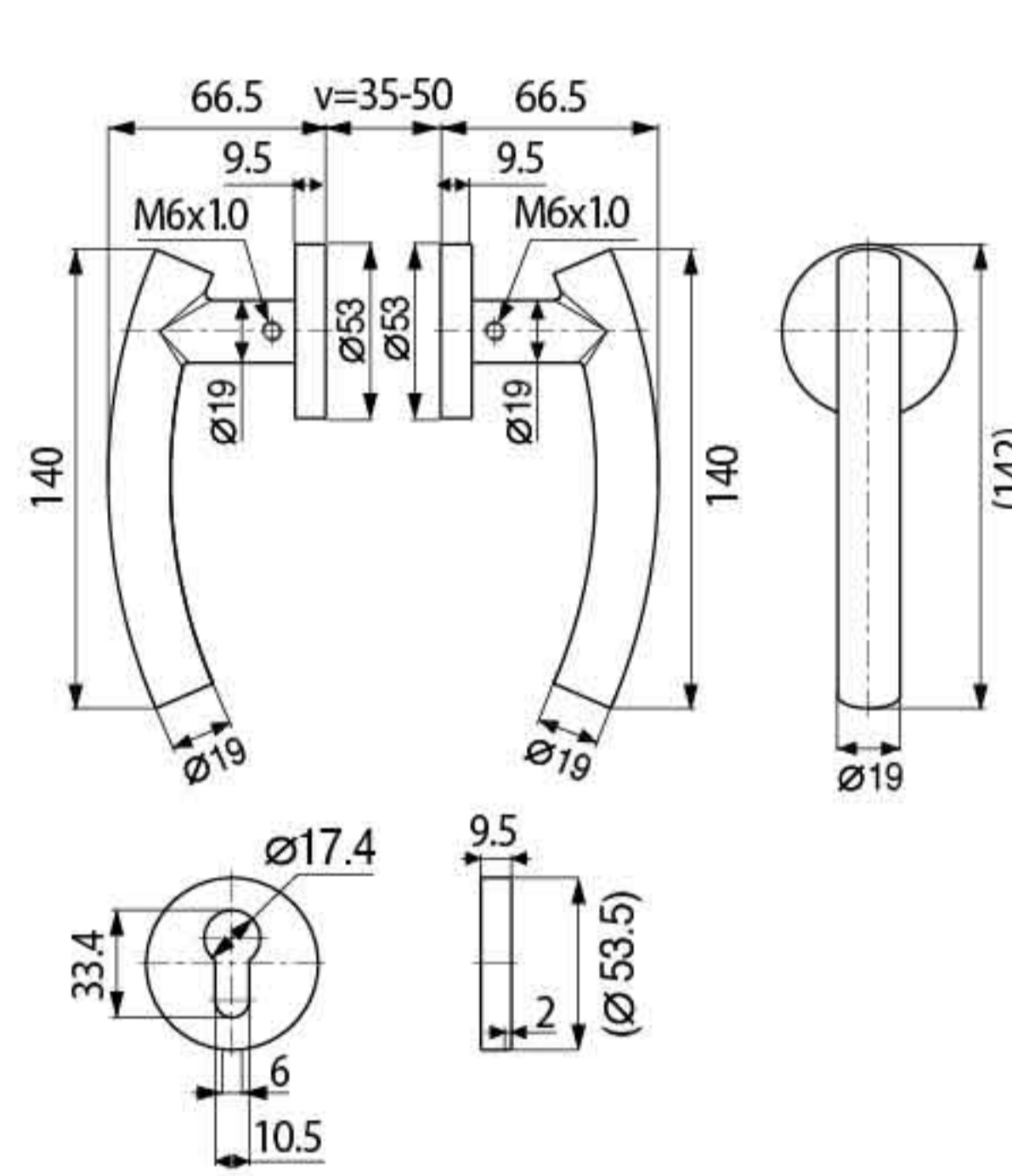
- Material : SUS304
- Hollow Handle
- Door thickness : 35-50mm

Product Name

- ML-HOLLOW014-SS
- ML-HOLLOW014-PB
- ML-HOLLOW014-AB
- ML-HOLLOW014-BLK
- ML-HOLLOW014-ORB
- ML-HOLLOW014-PS
- ML-HOLLOW014-AC
- ML-HOLLOW014-SB



ML-HOLLOW015



Specification

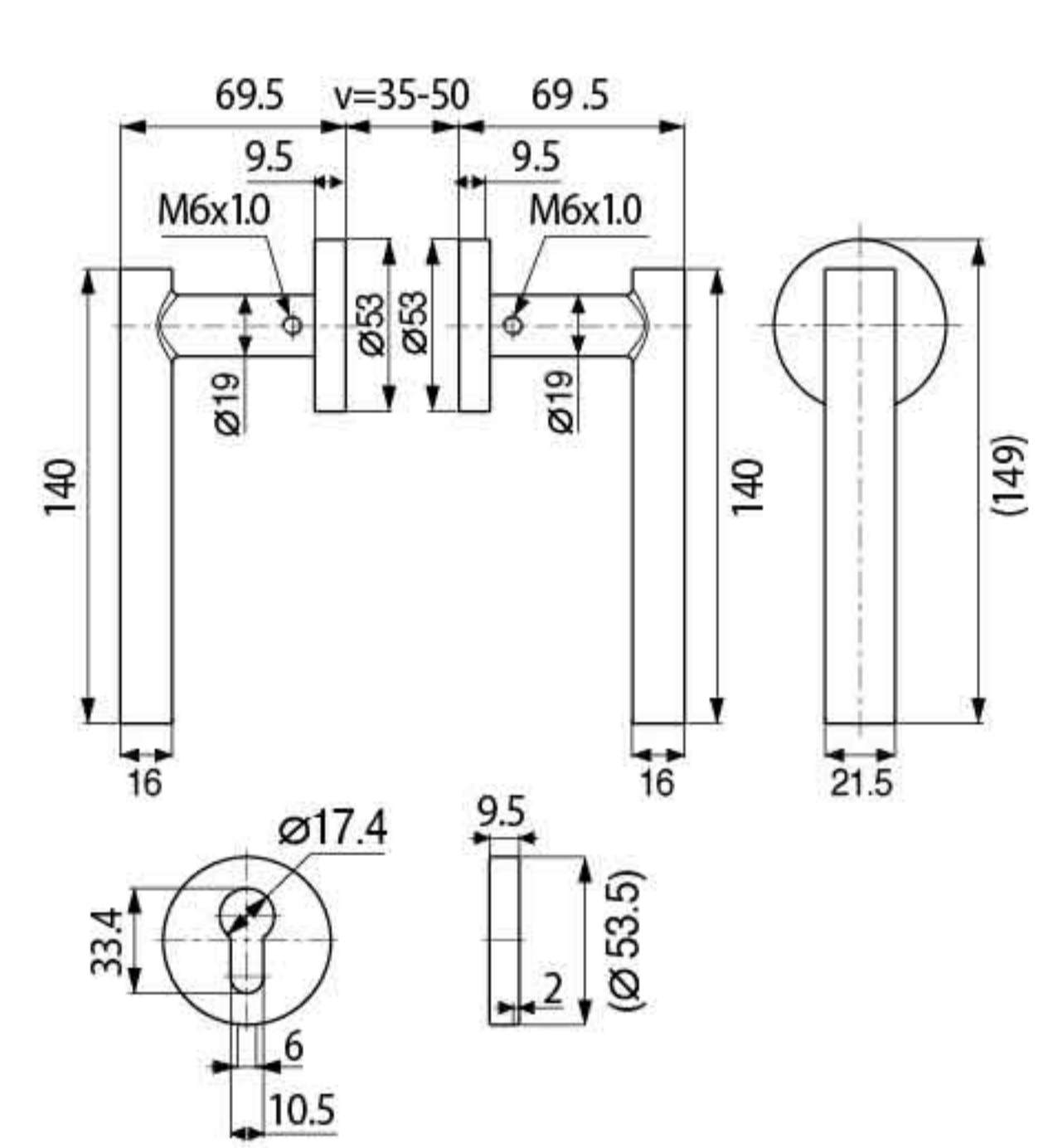
- Material : SUS304
- Hollow Handle
- Door thickness : 35-50mm

Product Name

- ML-HOLLOW015-SS
- ML-HOLLOW015-PB
- ML-HOLLOW015-AB
- ML-HOLLOW015-BLK
- ML-HOLLOW015-ORB
- ML-HOLLOW015-PS
- ML-HOLLOW015-AC
- ML-HOLLOW015-SB



ML-HOLLOW016



Specification

- Material : SUS304
- Hollow Handle
- Door thickness : 35-50mm

Product Name

- ML-HOLLOW016-SS
- ML-HOLLOW016-PB
- ML-HOLLOW016-AB
- ML-HOLLOW016-BLK
- ML-HOLLOW016-ORB
- ML-HOLLOW016-PS
- ML-HOLLOW016-AC
- ML-HOLLOW016-SB

Finish



SS

PB

AB

BLK

ORB

PS

AC

SB

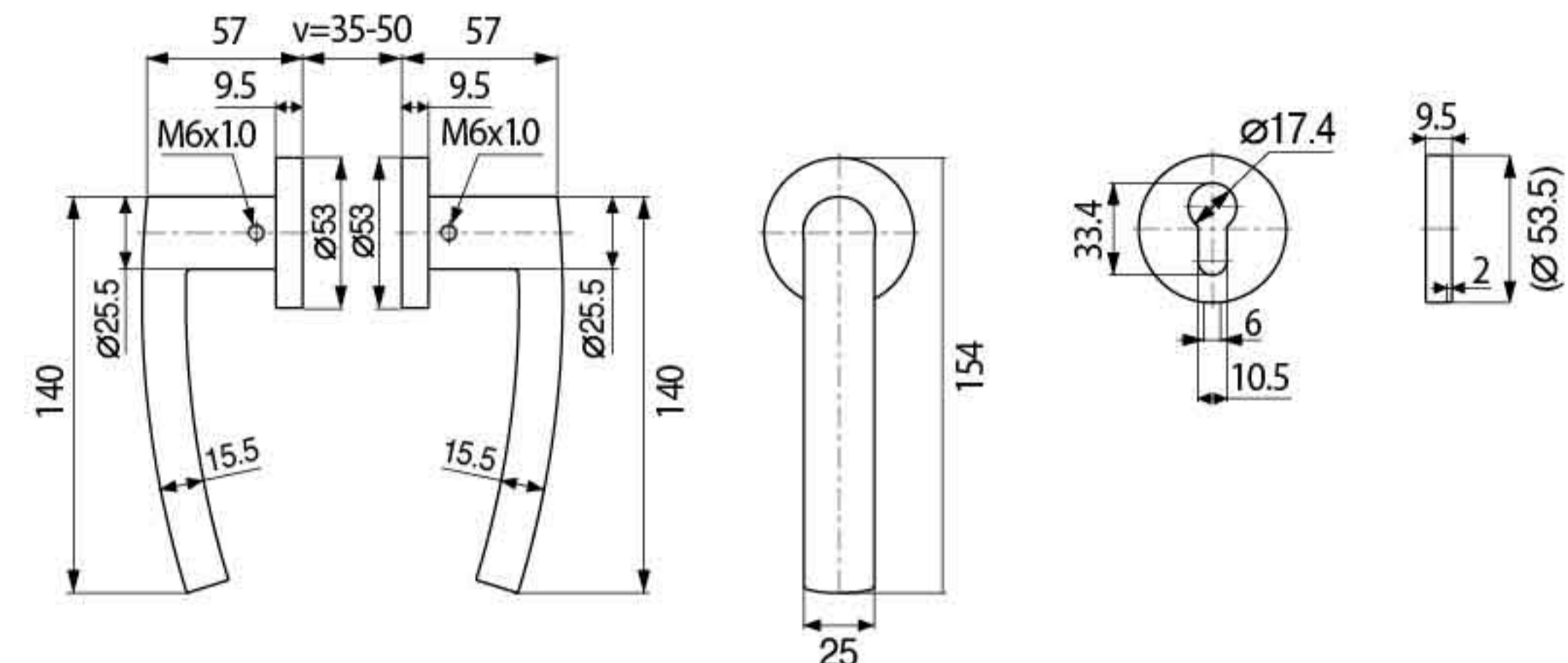
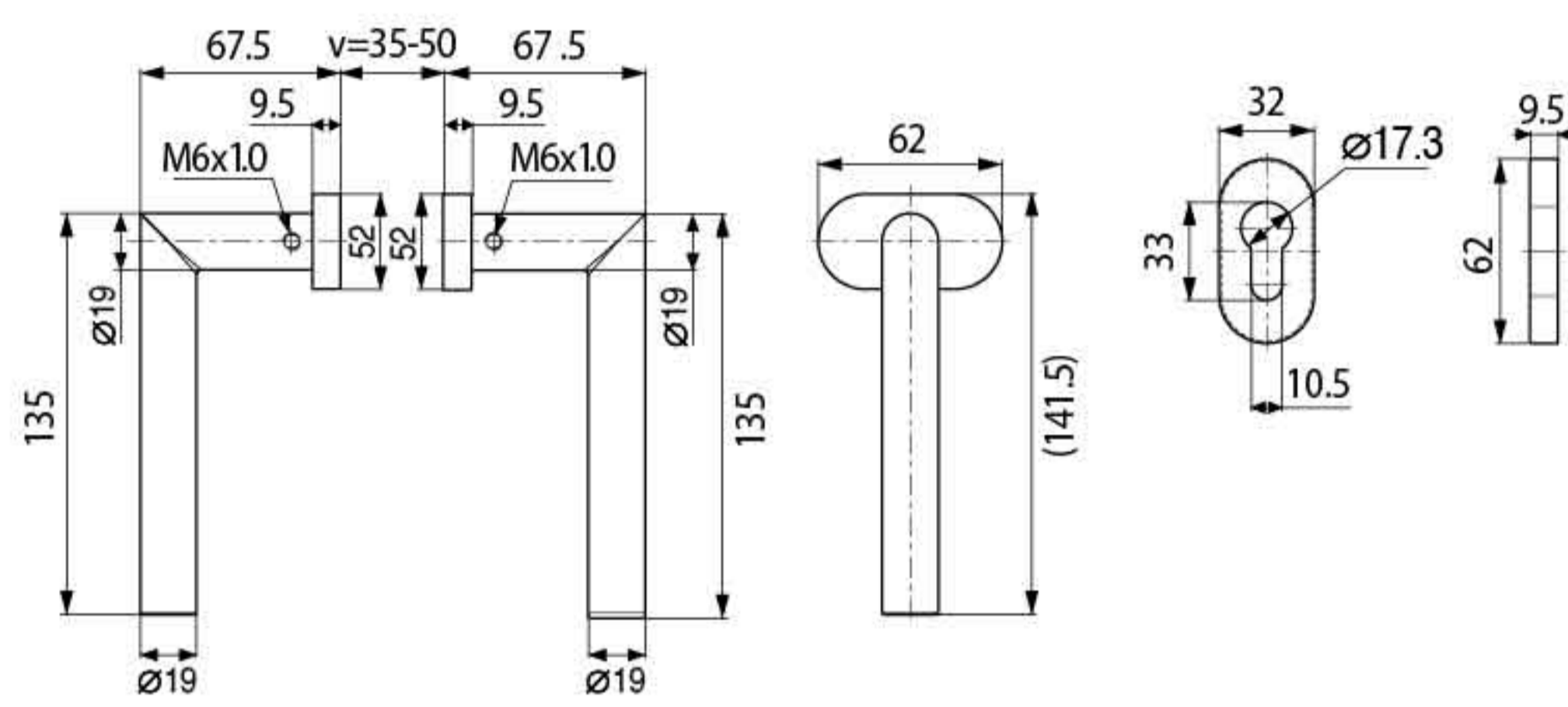
HOLLOW HANDLE



ML-HOLLOW017



ML-HOLLOW019



Specification

- Material : SUS304
- Hollow Handle
- Door thickness : 35-50mm

Specification

- Material : SUS304
- Hollow Handle
- Door thickness : 35-50mm

Product Name

- ML-HOLLOW017-SS
- ML-HOLLOW017-PB
- ML-HOLLOW017-AB
- ML-HOLLOW017-BLK
- ML-HOLLOW017-ORB
- ML-HOLLOW017-PS
- ML-HOLLOW017-AC
- ML-HOLLOW017-SB

Product Name

- ML-HOLLOW019-SS
- ML-HOLLOW019-PB
- ML-HOLLOW019-AB
- ML-HOLLOW019-BLK
- ML-HOLLOW019-ORB
- ML-HOLLOW019-PS
- ML-HOLLOW019-AC
- ML-HOLLOW019-SB

Finish



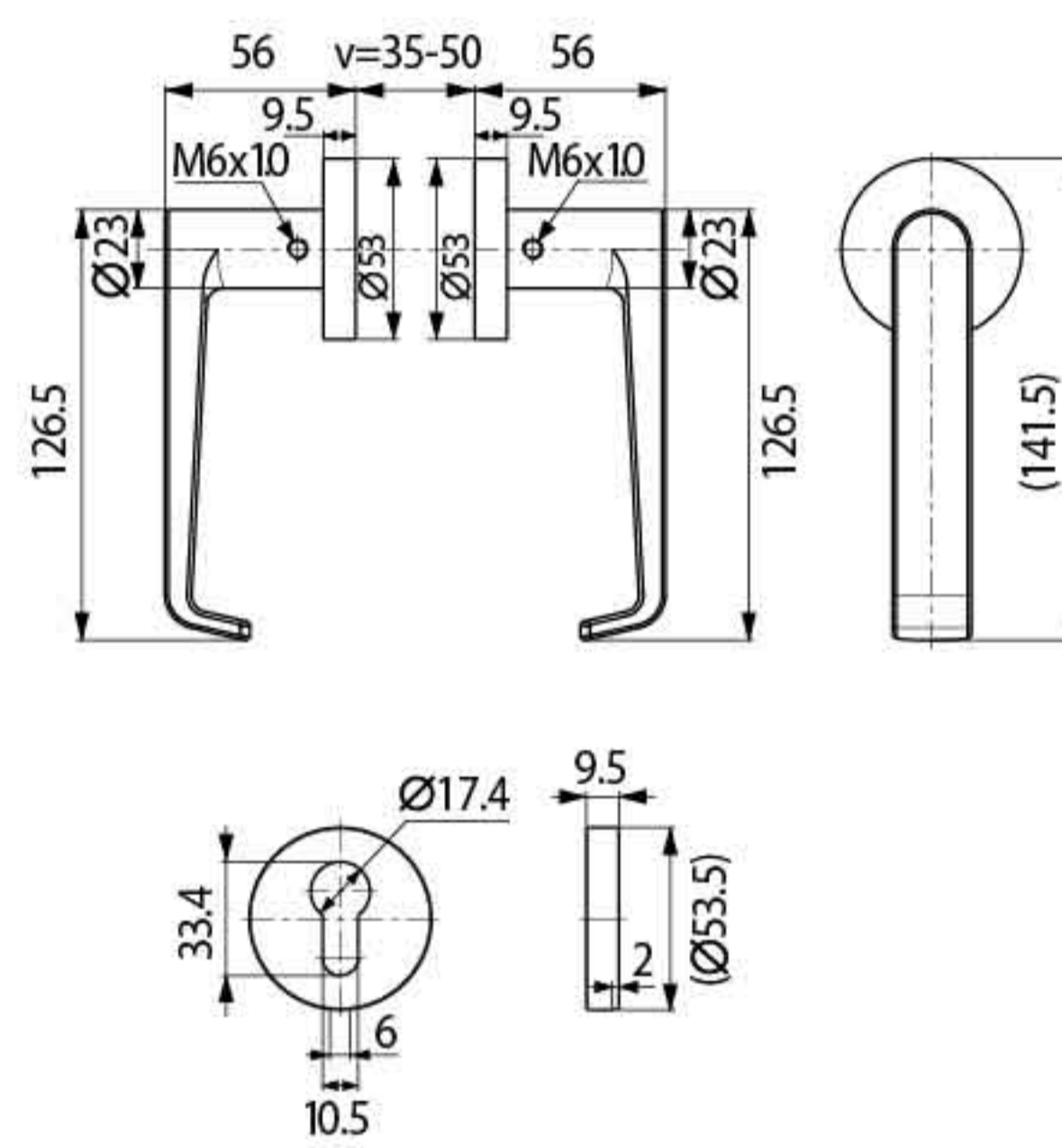
SOLID HANDLE



ML-SOLID001



ML-SOLID002

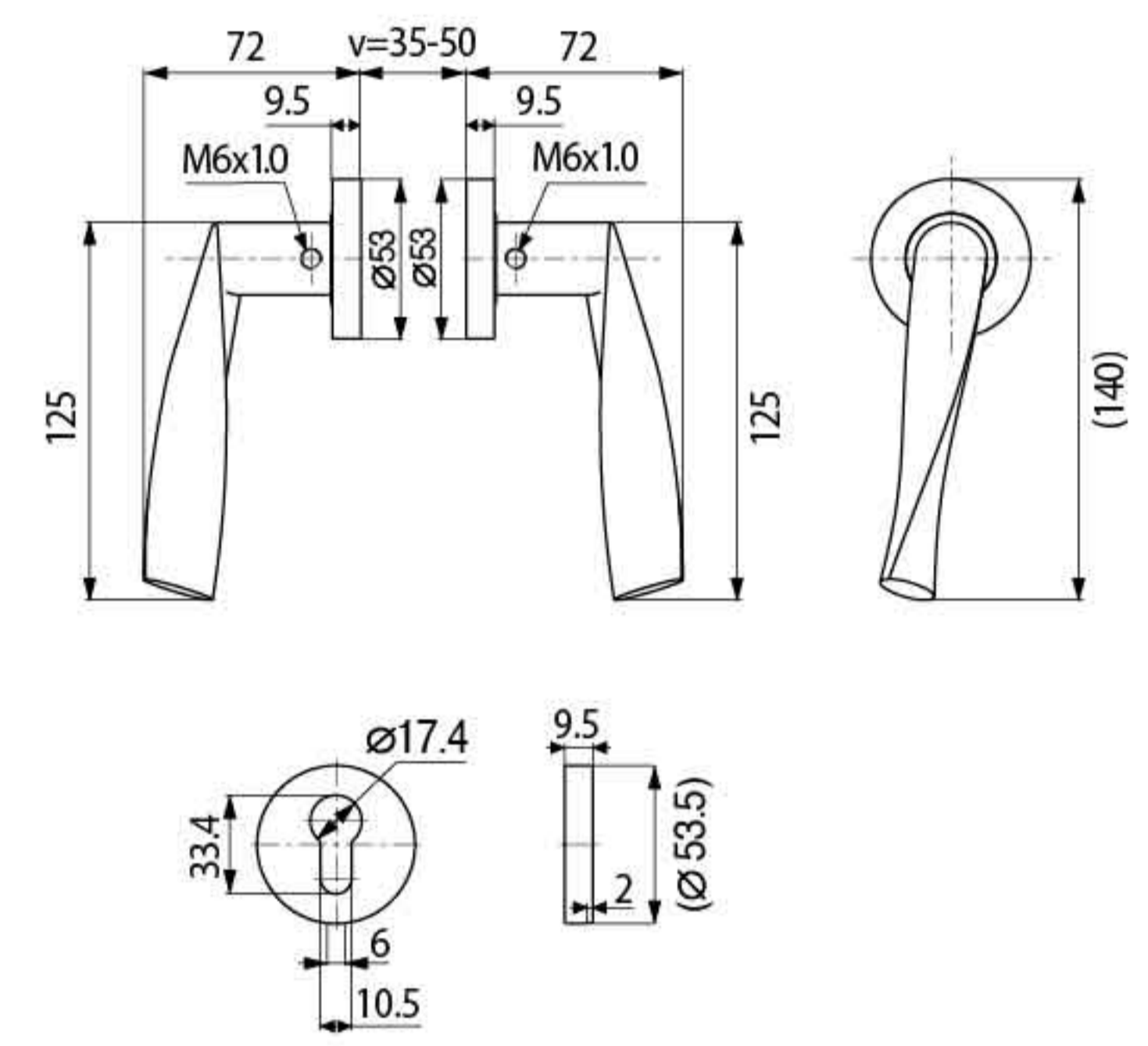


Specification

- Material : SUS304
- Solid Handle
- Door thickness : 35-50mm

Product Name

- ML-SOLID001-SS
- ML-SOLID001-PB
- ML-SOLID001-AB
- ML-SOLID001-BLK
- ML-SOLID001-ORB
- ML-SOLID001-PS
- ML-SOLID001-AC
- ML-SOLID001-SB



Specification

- Material : SUS304
- Solid Handle
- Door thickness : 35-50mm

Product Name

- ML-SOLID002-SS
- ML-SOLID002-PB
- ML-SOLID002-AB
- ML-SOLID002-BLK
- ML-SOLID002-ORB
- ML-SOLID002-PS
- ML-SOLID002-AC
- ML-SOLID002-SB

Finish



SOLID HANDLE



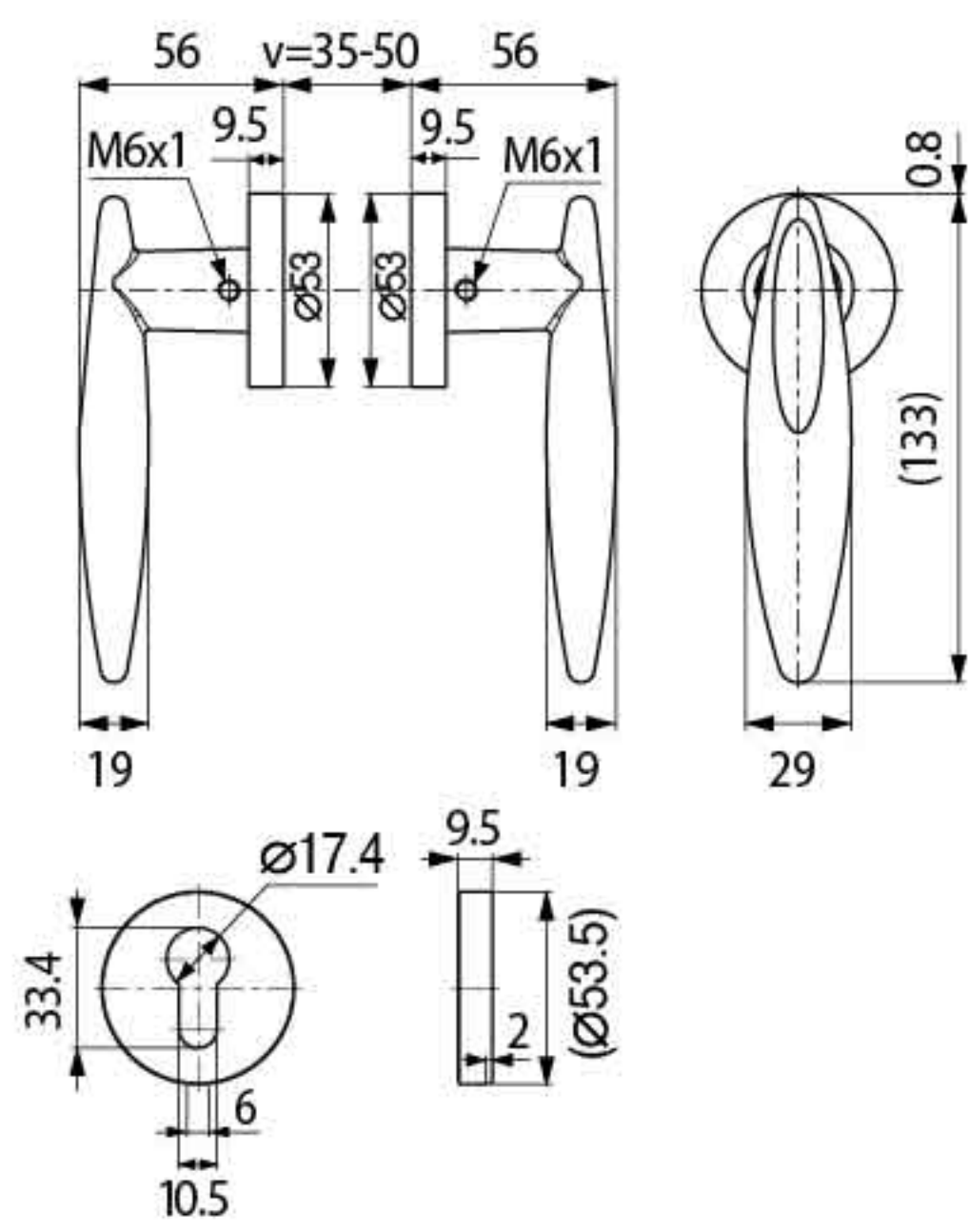
ML-SOLID003



ML-SOLID004



ML-SOLID005

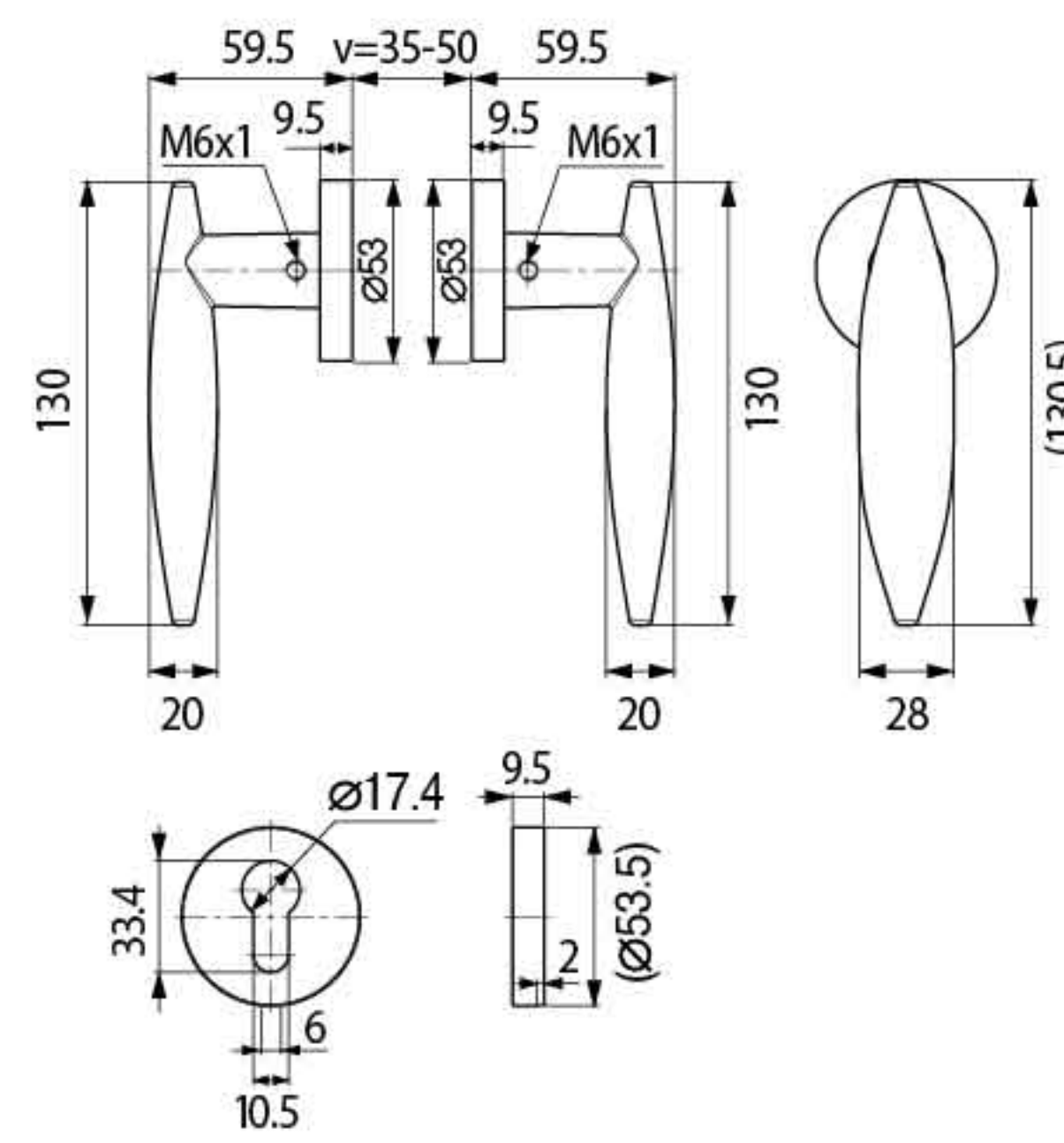


Specification

- Material : SUS304
- Solid Handle
- Door thickness : 35-50mm

Product Name

- ML-SOLID003-SS
- ML-SOLID003-PB
- ML-SOLID003-AB
- ML-SOLID003-BLK
- ML-SOLID003-ORB
- ML-SOLID003-PS
- ML-SOLID003-AC
- ML-SOLID003-SB

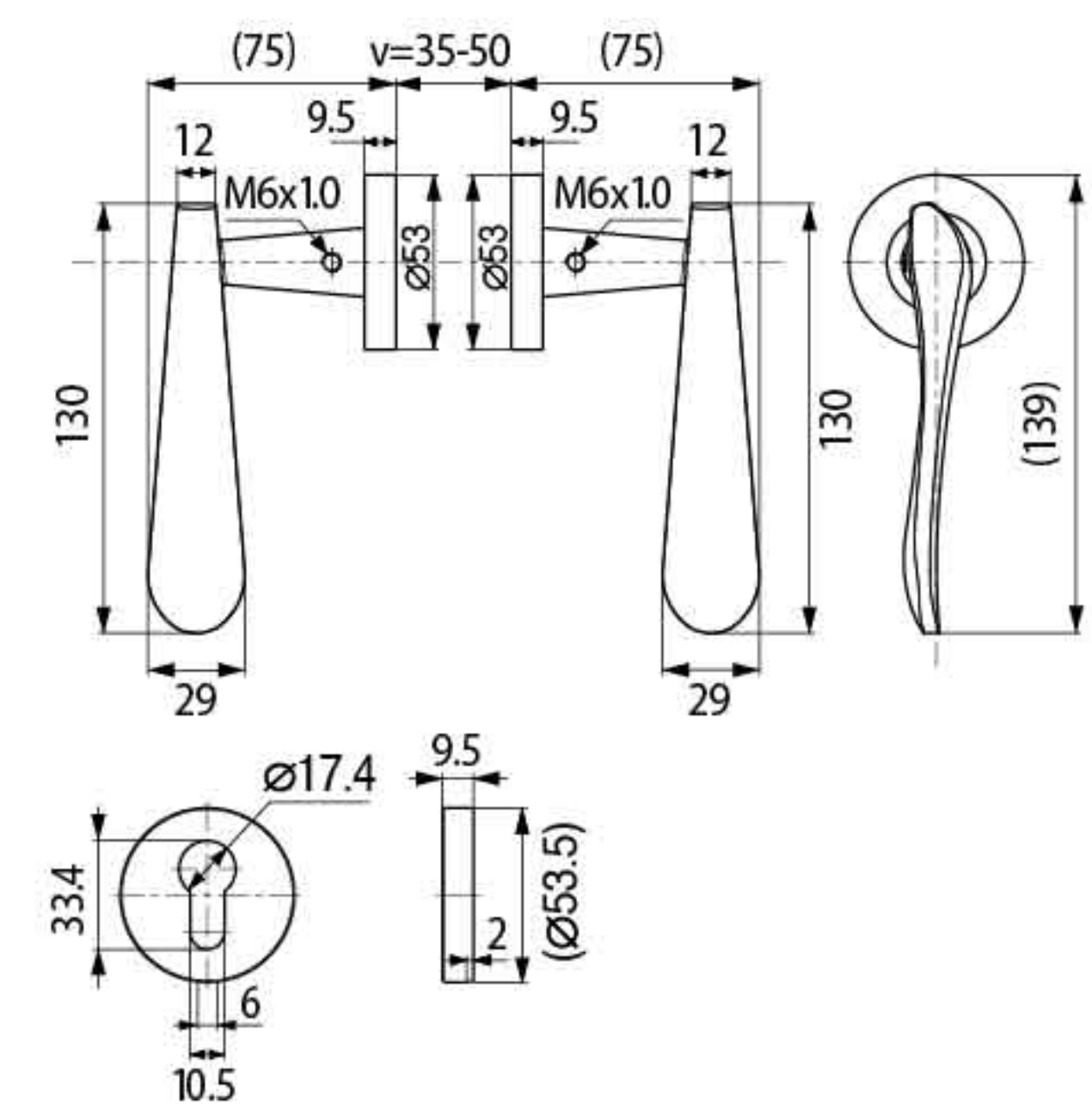


Specification

- Material : SUS304
- Solid Handle
- Door thickness : 35-50mm

Product Name

- ML-SOLID004-SS
- ML-SOLID004-PB
- ML-SOLID004-AB
- ML-SOLID004-BLK
- ML-SOLID004-ORB
- ML-SOLID004-PS
- ML-SOLID004-AC
- ML-SOLID004-SB



Specification

- Material : SUS304
- Solid Handle
- Door thickness : 35-50mm

Product Name

- ML-SOLID005-SS
- ML-SOLID005-PB
- ML-SOLID005-AB
- ML-SOLID005-BLK
- ML-SOLID005-ORB
- ML-SOLID005-PS
- ML-SOLID005-AC
- ML-SOLID005-SB

Finish



SOLID HANDLE



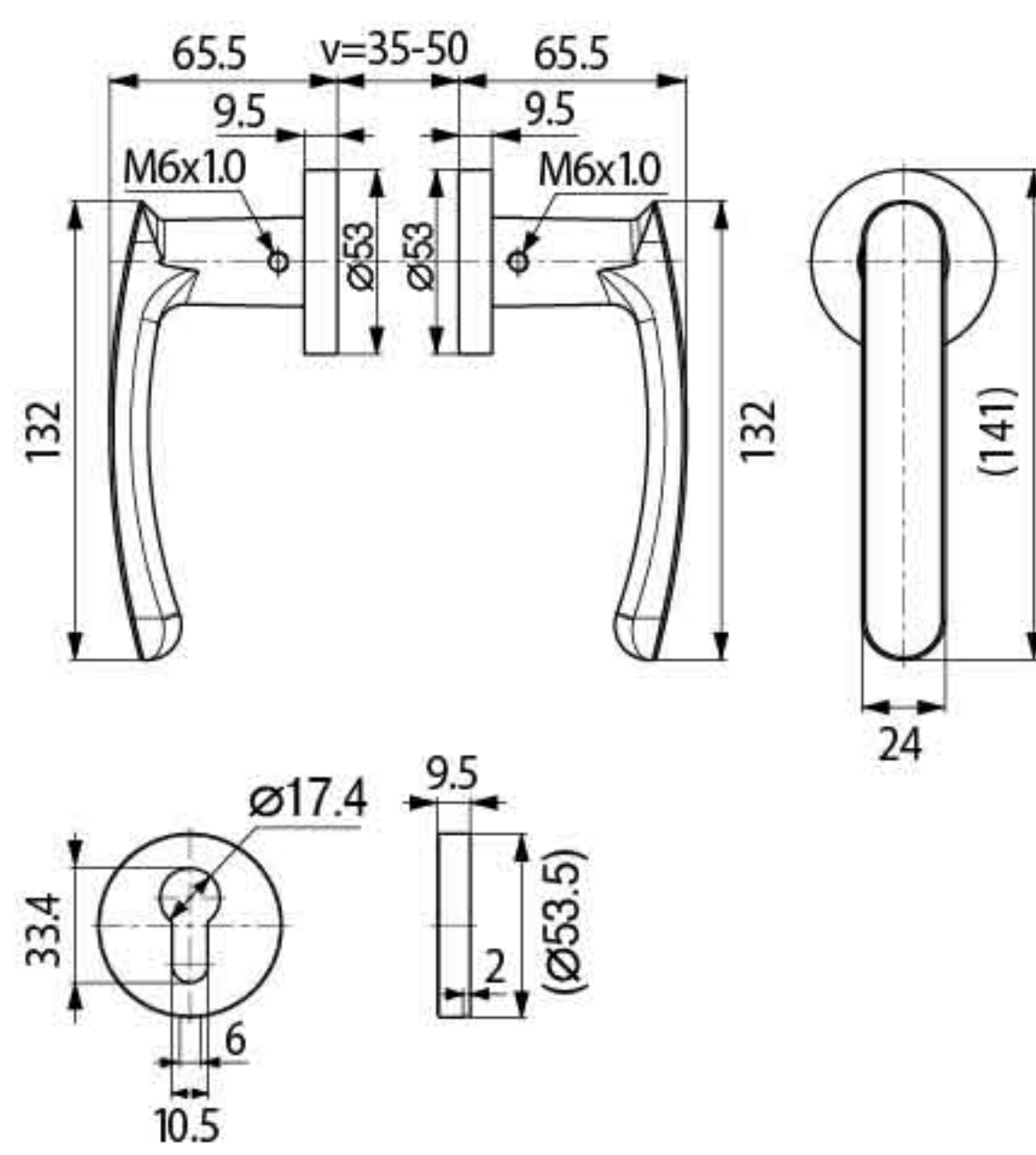
ML-SOLID006



ML-SOLID007



ML-SOLID008

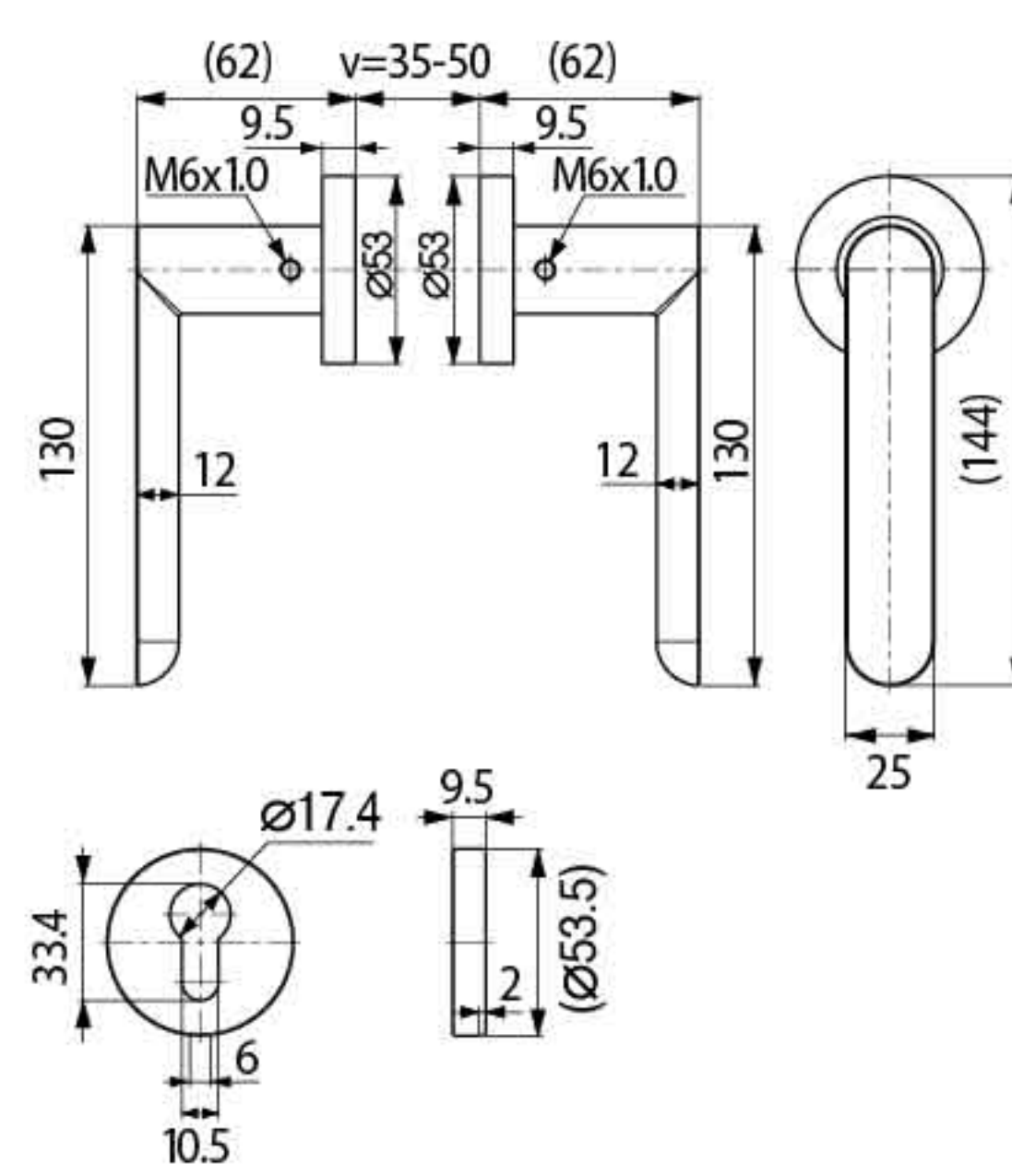


Specification

- Material : SUS304
- Solid Handle
- Door thickness : 35-50mm

Product Name

- ML-SOLID006-SS
- ML-SOLID006-PB
- ML-SOLID006-AB
- ML-SOLID006-BLK
- ML-SOLID006-ORB
- ML-SOLID006-PS
- ML-SOLID006-AC
- ML-SOLID006-SB

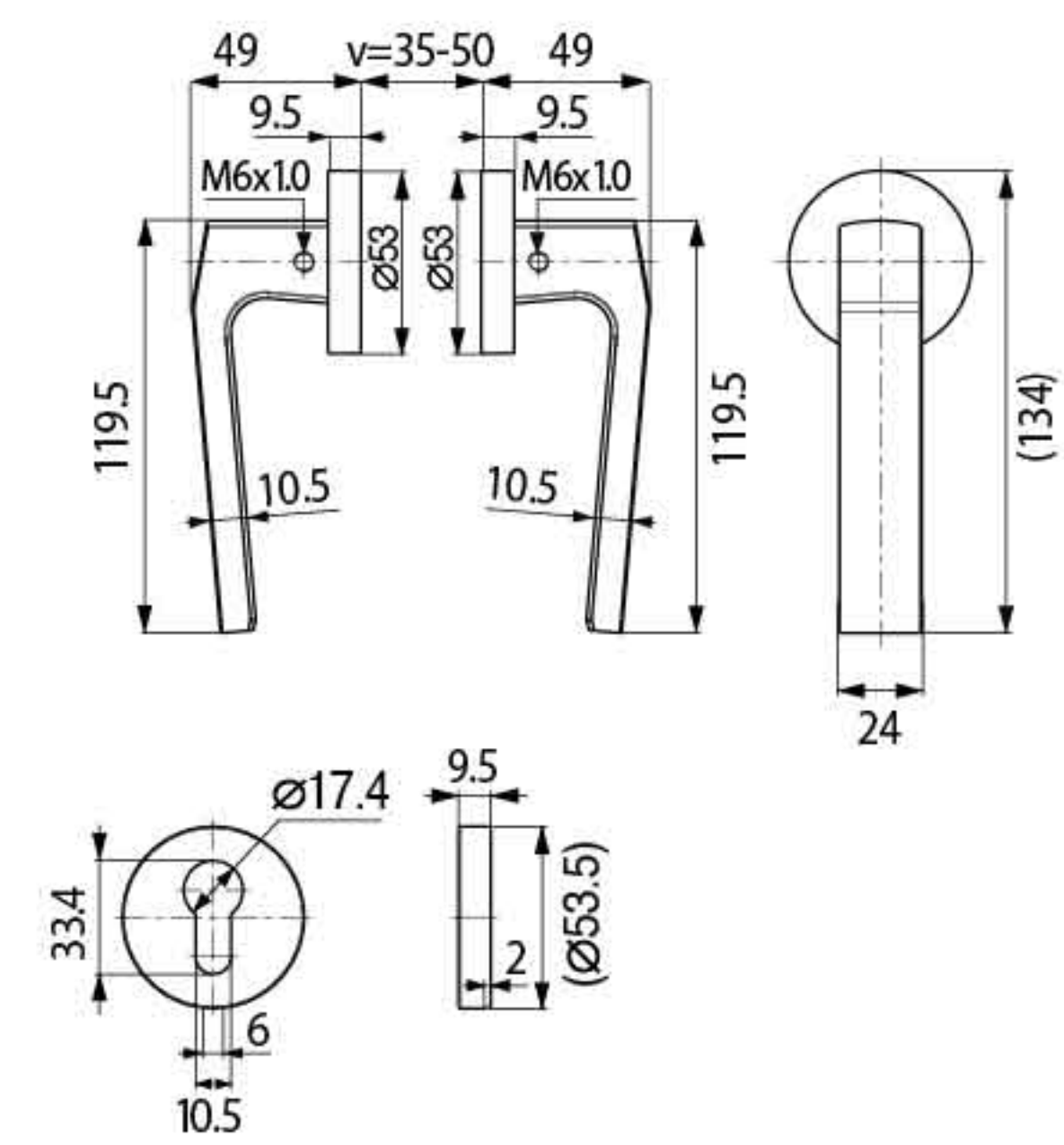


Specification

- Material : SUS304
- Solid Handle
- Door thickness : 35-50mm

Product Name

- ML-SOLID007-SS
- ML-SOLID007-PB
- ML-SOLID007-AB
- ML-SOLID007-BLK
- ML-SOLID007-ORB
- ML-SOLID007-PS
- ML-SOLID007-AC
- ML-SOLID007-SB



Specification

- Material : SUS304
- Solid Handle
- Door thickness : 35-50mm

Product Name

- ML-SOLID008-SS
- ML-SOLID008-PB
- ML-SOLID008-AB
- ML-SOLID008-BLK
- ML-SOLID008-ORB
- ML-SOLID008-PS
- ML-SOLID008-AC
- ML-SOLID008-SB

Finish



SOLID HANDLE



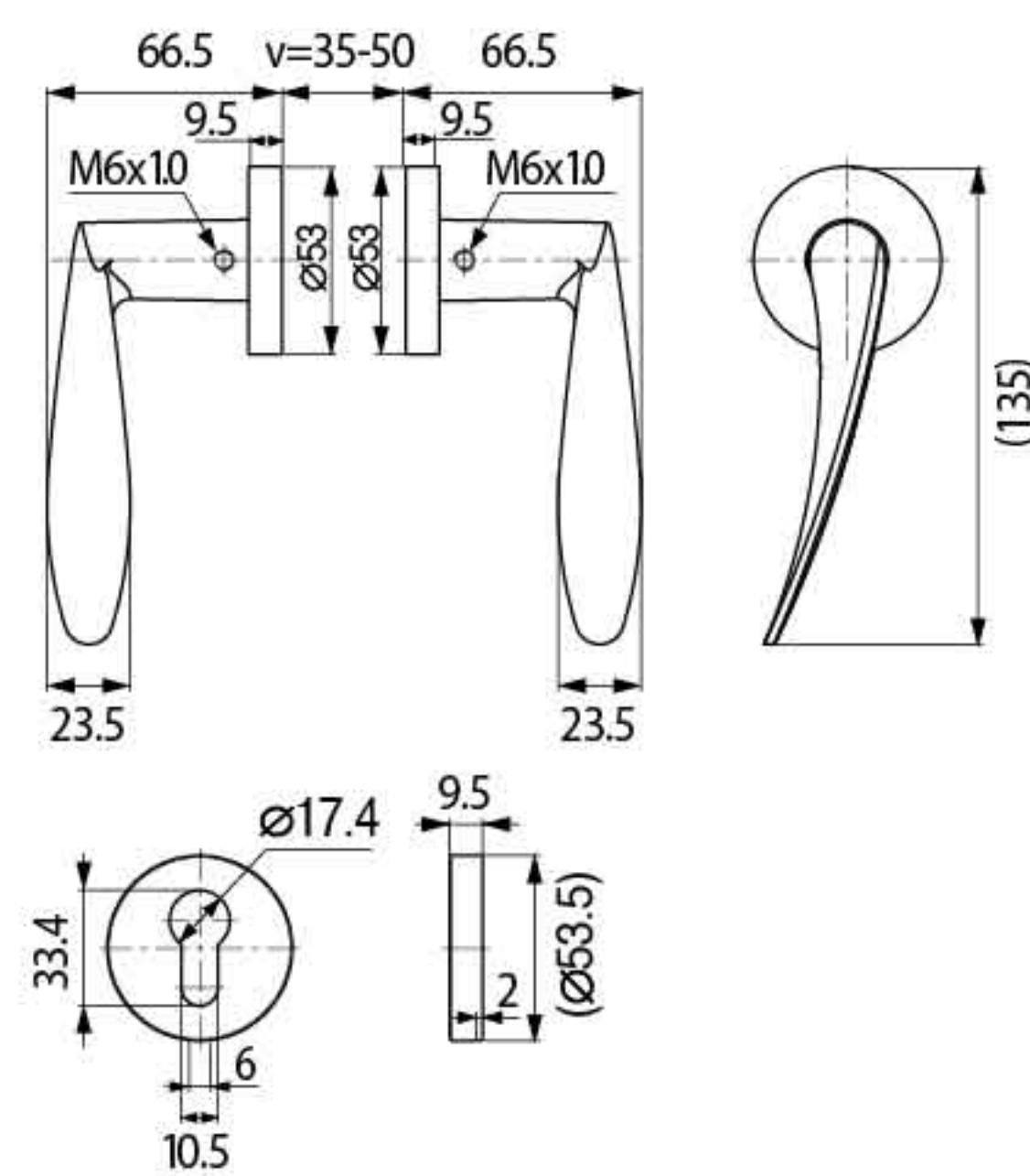
ML-SOLID009



ML-SOLID010



ML-SOLID012

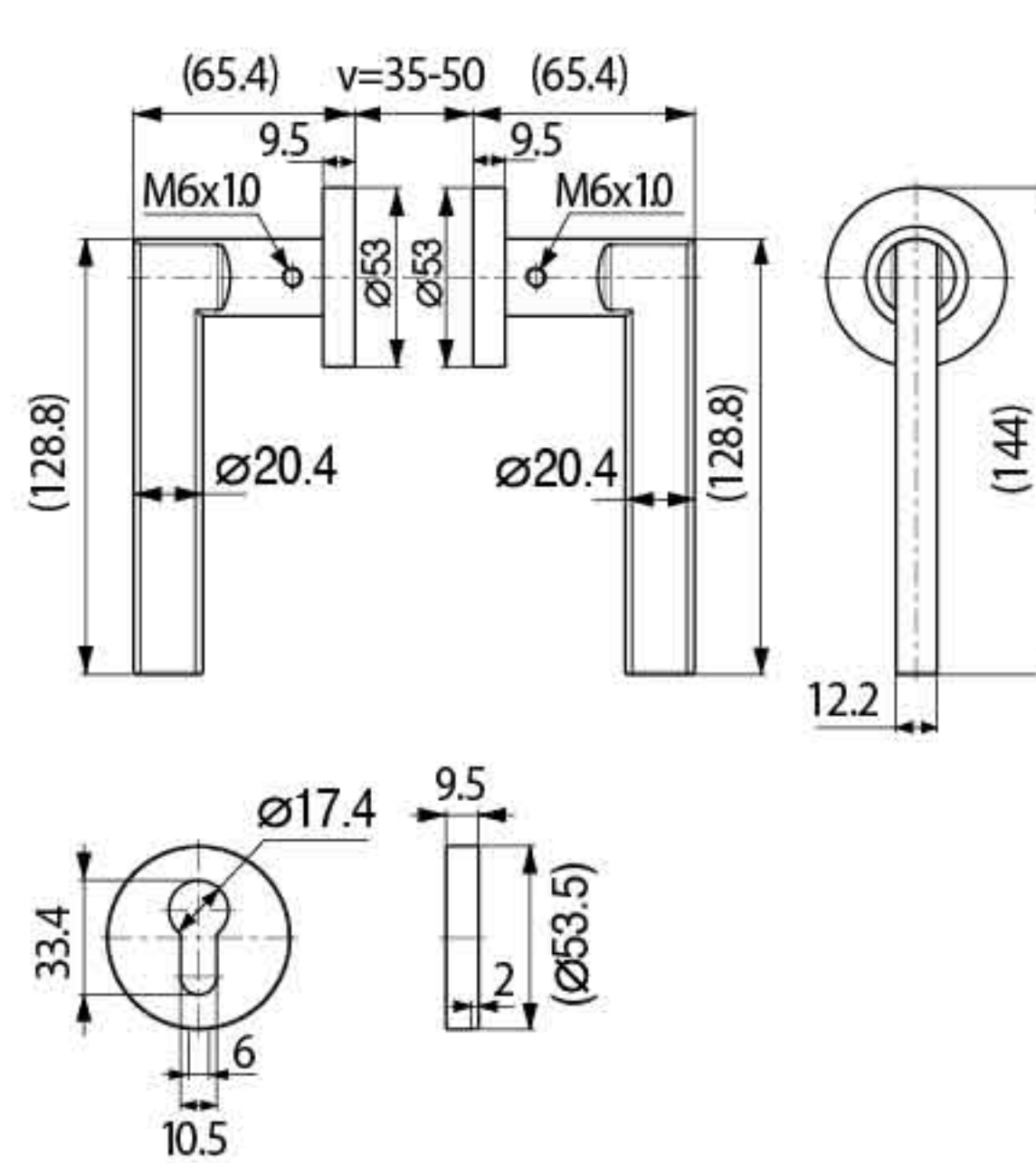


Specification

- Material : SUS304
- Solid Handle
- Door thickness : 35-50mm

Product Name

- ML-SOLID009-SS
- ML-SOLID009-PB
- ML-SOLID009-AB
- ML-SOLID009-BLK
- ML-SOLID009-ORB
- ML-SOLID009-PS
- ML-SOLID009-AC
- ML-SOLID009-SB

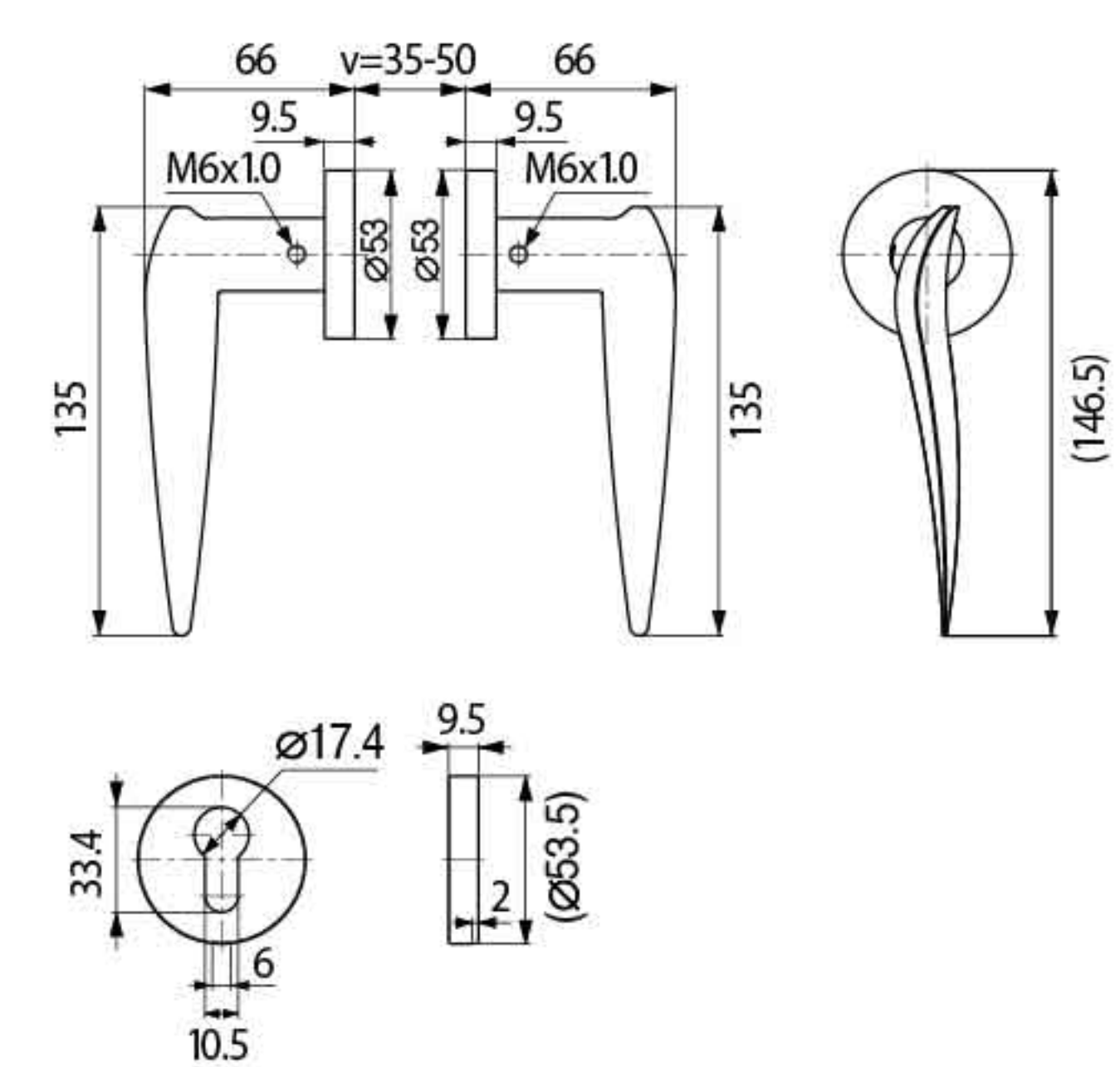


Specification

- Material : SUS304
- Solid Handle
- Door thickness : 35-50mm

Product Name

- ML-SOLID010-SS
- ML-SOLID010-PB
- ML-SOLID010-AB
- ML-SOLID010-BLK
- ML-SOLID010-ORB
- ML-SOLID010-PS
- ML-SOLID010-AC
- ML-SOLID010-SB



Specification

- Material : SUS304
- Solid Handle
- Door thickness : 35-50mm

Product Name

- ML-SOLID012-SS
- ML-SOLID012-PB
- ML-SOLID012-AB
- ML-SOLID012-BLK
- ML-SOLID012-ORB
- ML-SOLID012-PS
- ML-SOLID012-AC
- ML-SOLID012-SB

Finish



SOLID HANDLE



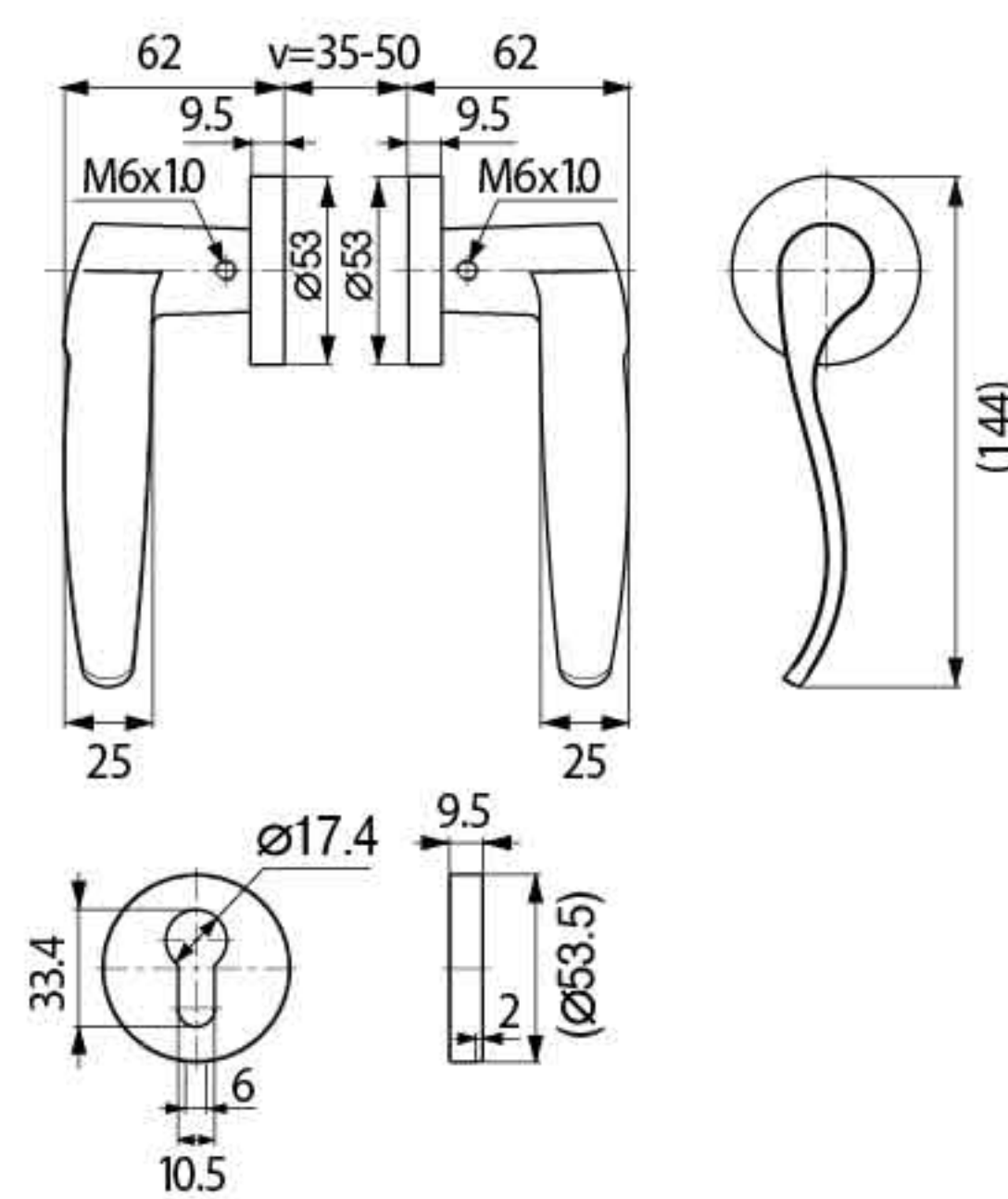
ML-SOLID013



ML-SOLID015



ML-SOLID016

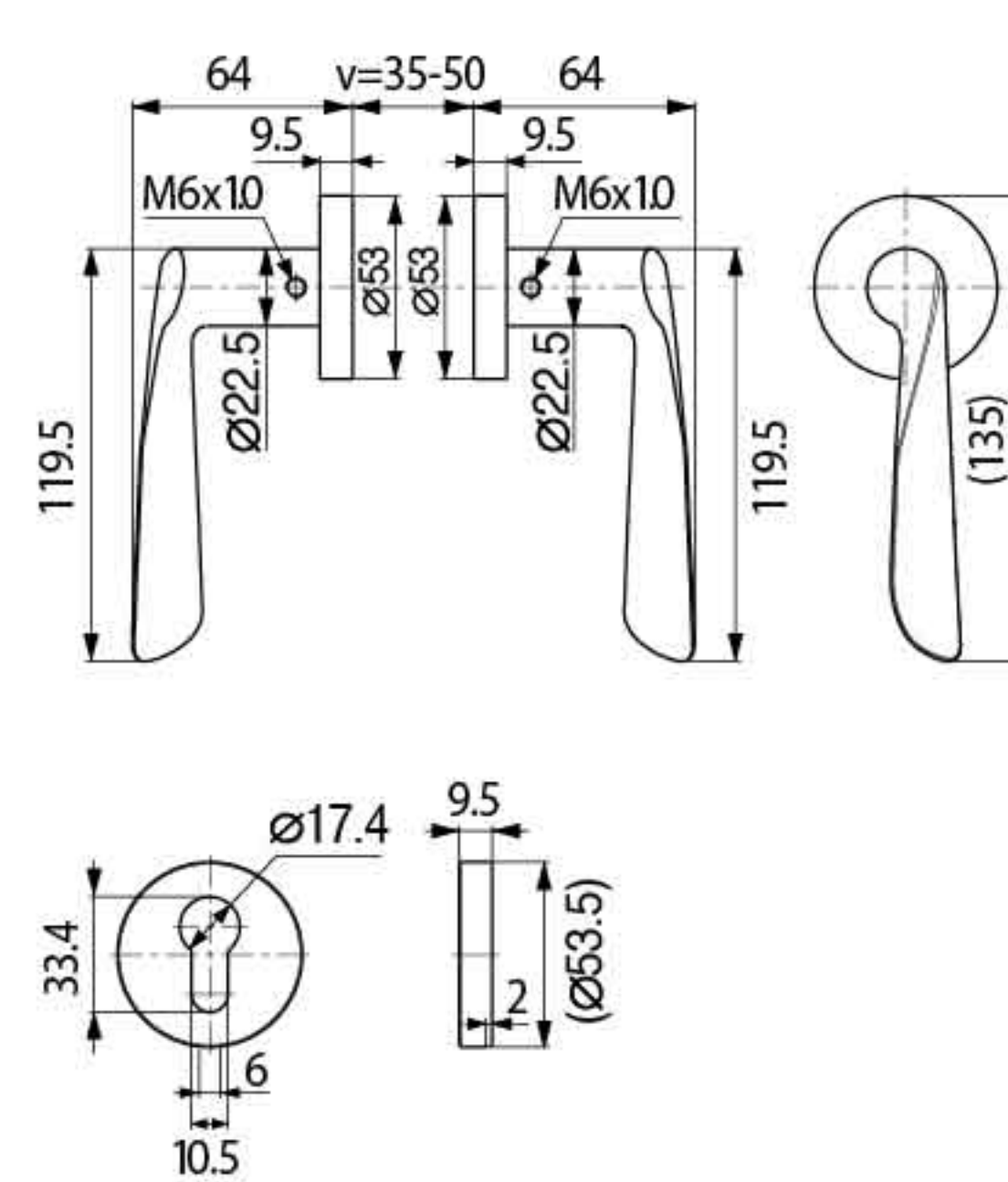


Specification

- Material : SUS304
- Solid Handle
- Door thickness : 35-50mm

Product Name

- ML-SOLID013-SS
- ML-SOLID013-PB
- ML-SOLID013-AB
- ML-SOLID013-BLK
- ML-SOLID013-ORB
- ML-SOLID013-PS
- ML-SOLID013-AC
- ML-SOLID013-SB

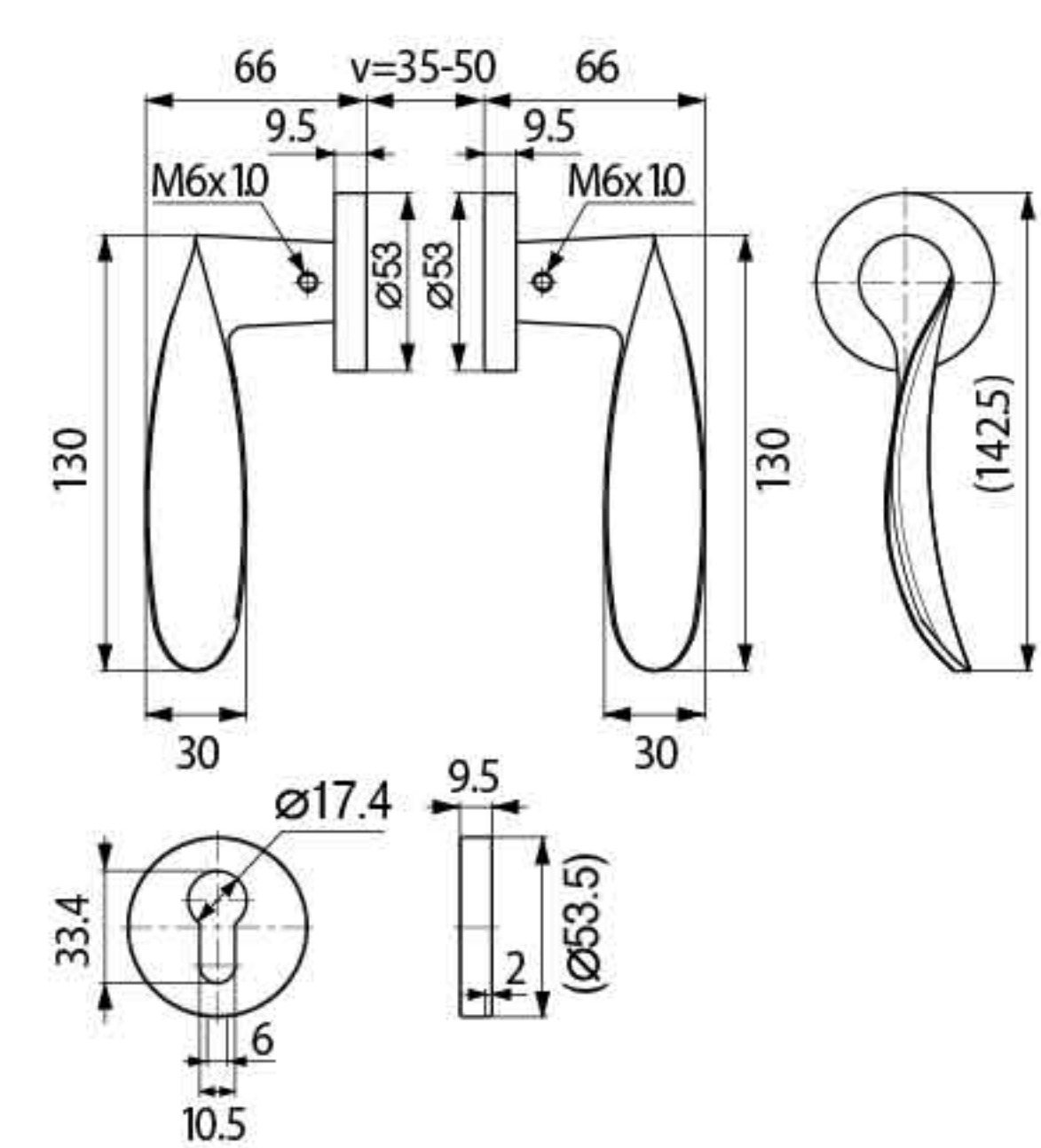


Specification

- Material : SUS304
- Solid Handle
- Door thickness : 35-50mm

Product Name

- ML-SOLID015-SS
- ML-SOLID015-PB
- ML-SOLID015-AB
- ML-SOLID015-BLK
- ML-SOLID015-ORB
- ML-SOLID015-PS
- ML-SOLID015-AC
- ML-SOLID015-SB



Specification

- Material : SUS304
- Solid Handle
- Door thickness : 35-50mm

Product Name

- ML-SOLID016-SS
- ML-SOLID016-PB
- ML-SOLID016-AB
- ML-SOLID016-BLK
- ML-SOLID016-ORB
- ML-SOLID016-PS
- ML-SOLID016-AC
- ML-SOLID016-SB

Finish



SOLID HANDLE



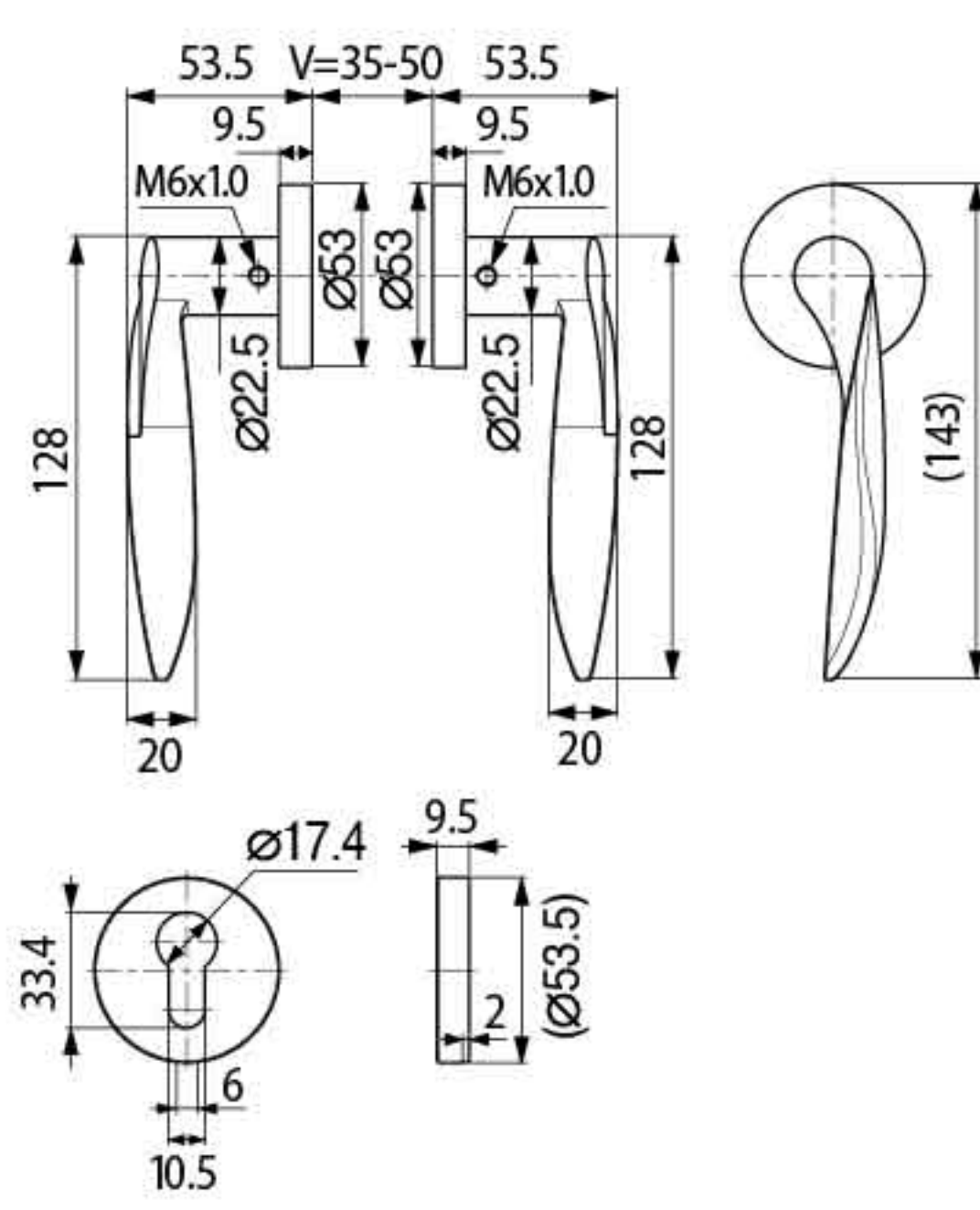
ML-SOLID017



ML-SOLID019

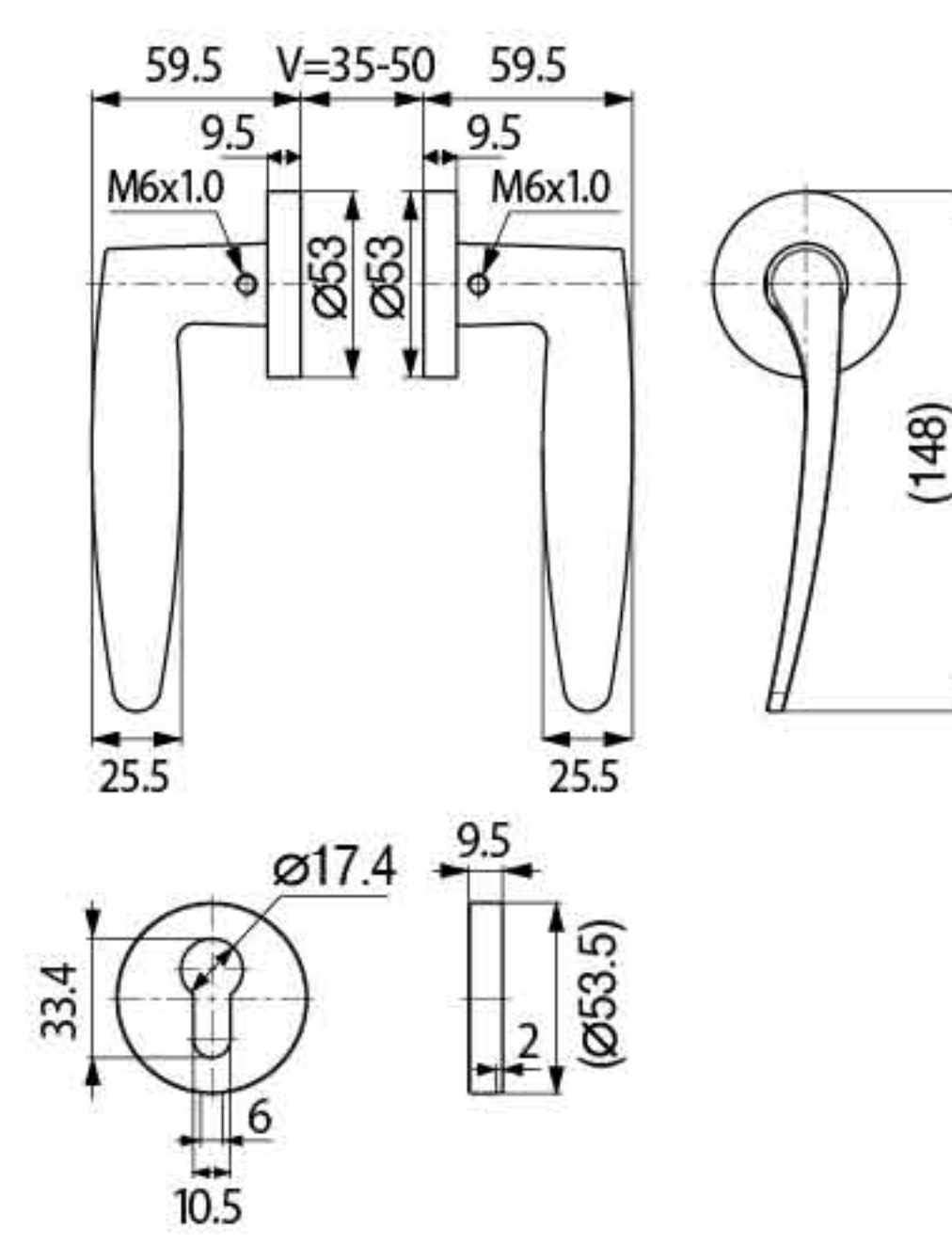


ML-SOLID021



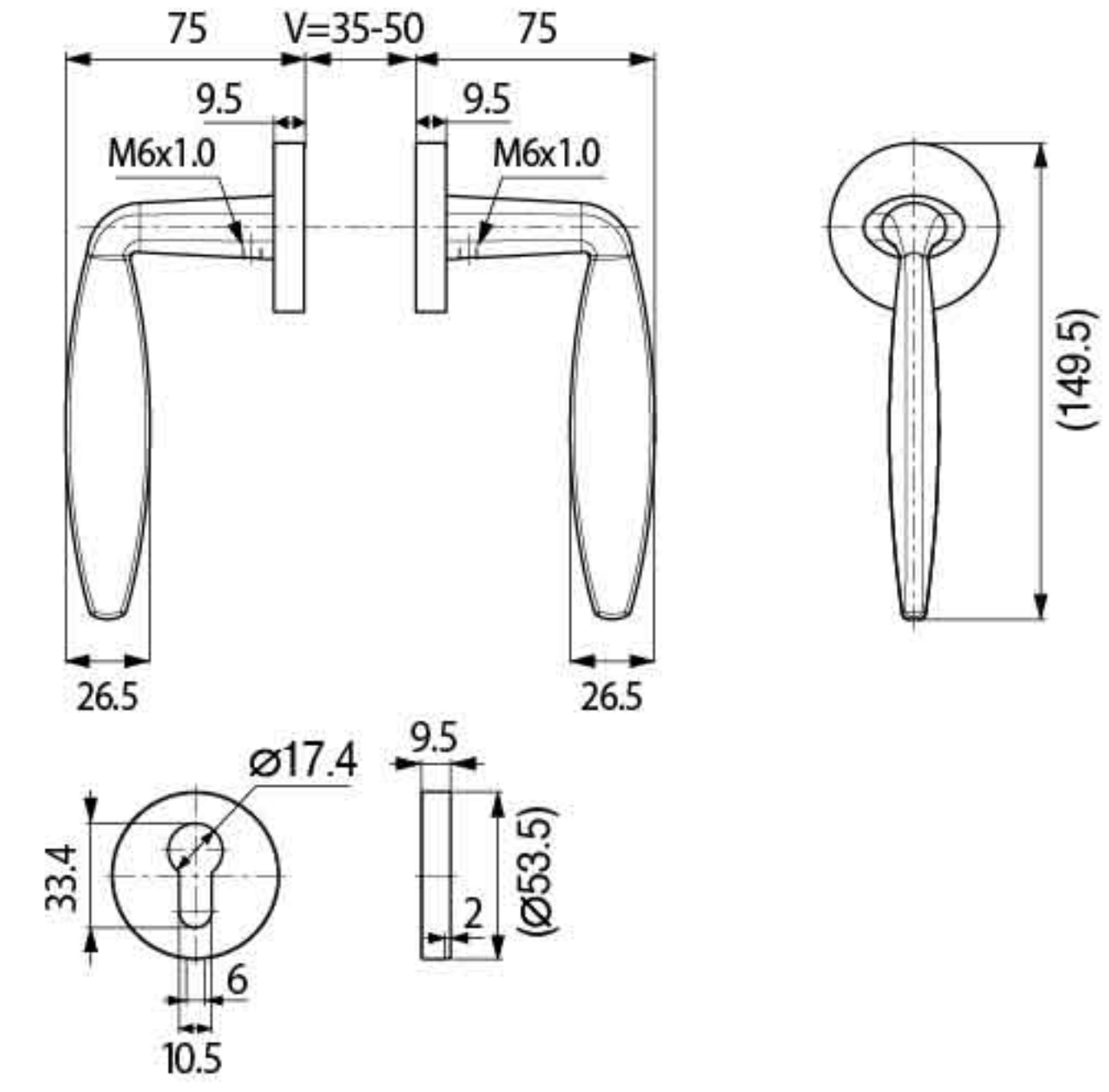
Specification

- Material : SUS304
- Solid Handle
- Door thickness : 35-50mm



Specification

- Material : SUS304
- Solid Handle
- Door thickness : 35-50mm



Specification

- Material : SUS304
- Solid Handle
- Door thickness : 35-50mm

Product Name

- ML-SOLID017-SS
- ML-SOLID017-PB
- ML-SOLID017-AB
- ML-SOLID017-BLK
- ML-SOLID017-ORB
- ML-SOLID017-PS
- ML-SOLID017-AC
- ML-SOLID017-SB

Product Name

- ML-SOLID019-SS
- ML-SOLID019-PB
- ML-SOLID019-AB
- ML-SOLID019-BLK
- ML-SOLID019-ORB
- ML-SOLID019-PS
- ML-SOLID019-AC
- ML-SOLID019-SB

Product Name

- ML-SOLID021-SS
- ML-SOLID021-PB
- ML-SOLID021-AB
- ML-SOLID021-BLK
- ML-SOLID021-ORB
- ML-SOLID021-PS
- ML-SOLID021-AC
- ML-SOLID021-SB

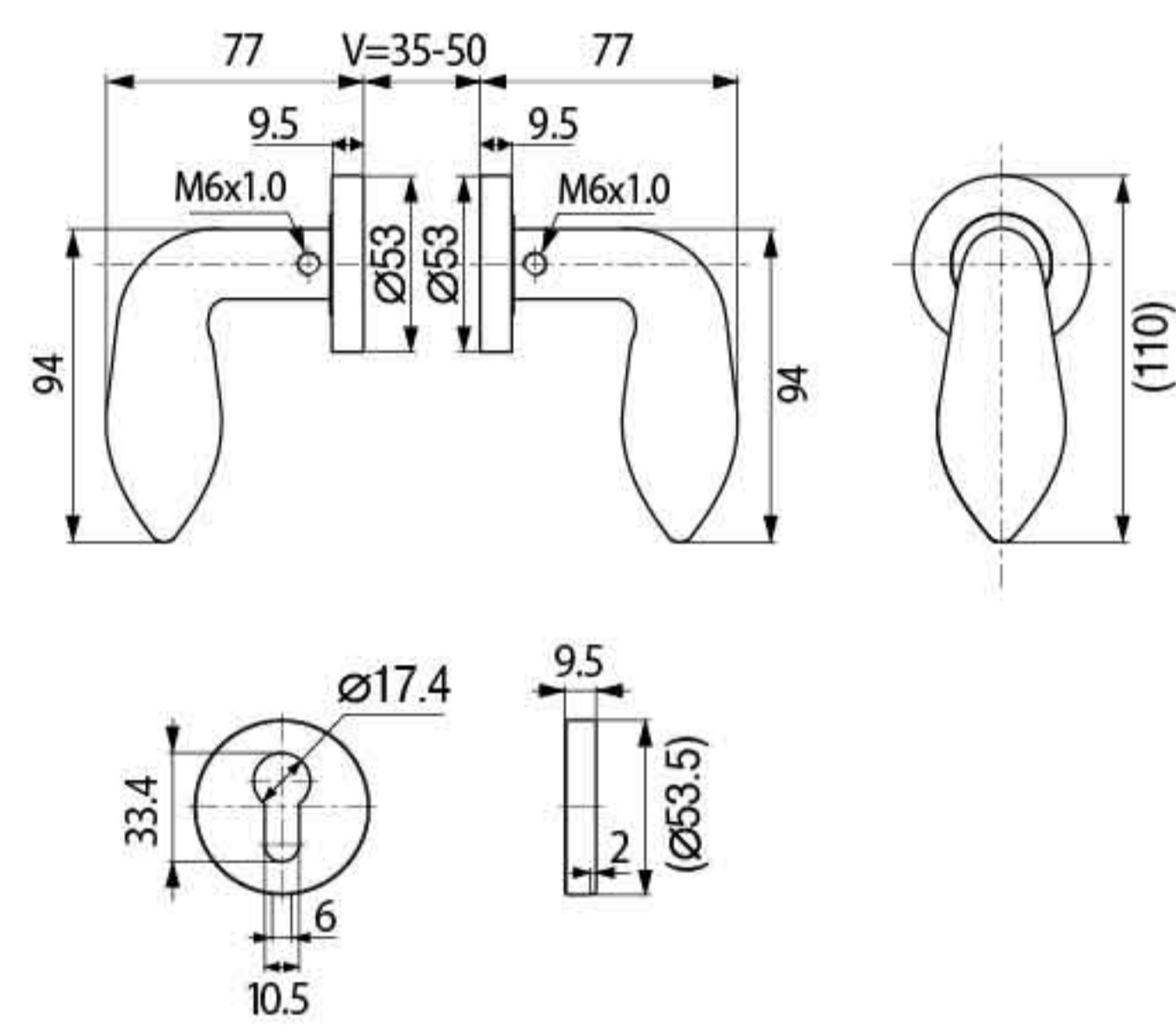
Finish



SOLID HANDLE



ML-SOLID025



Specification

- Material : SUS304
- Solid Handle
- Door thickness : 35-50mm

Product Name

- ML-SOLID025-SS
- ML-SOLID025-PB
- ML-SOLID025-AB
- ML-SOLID025-BLK
- ML-SOLID025-ORB
- ML-SOLID025-PS
- ML-SOLID025-AC
- ML-SOLID025-SB

Finish



SS

PB

AB

BLK

ORB

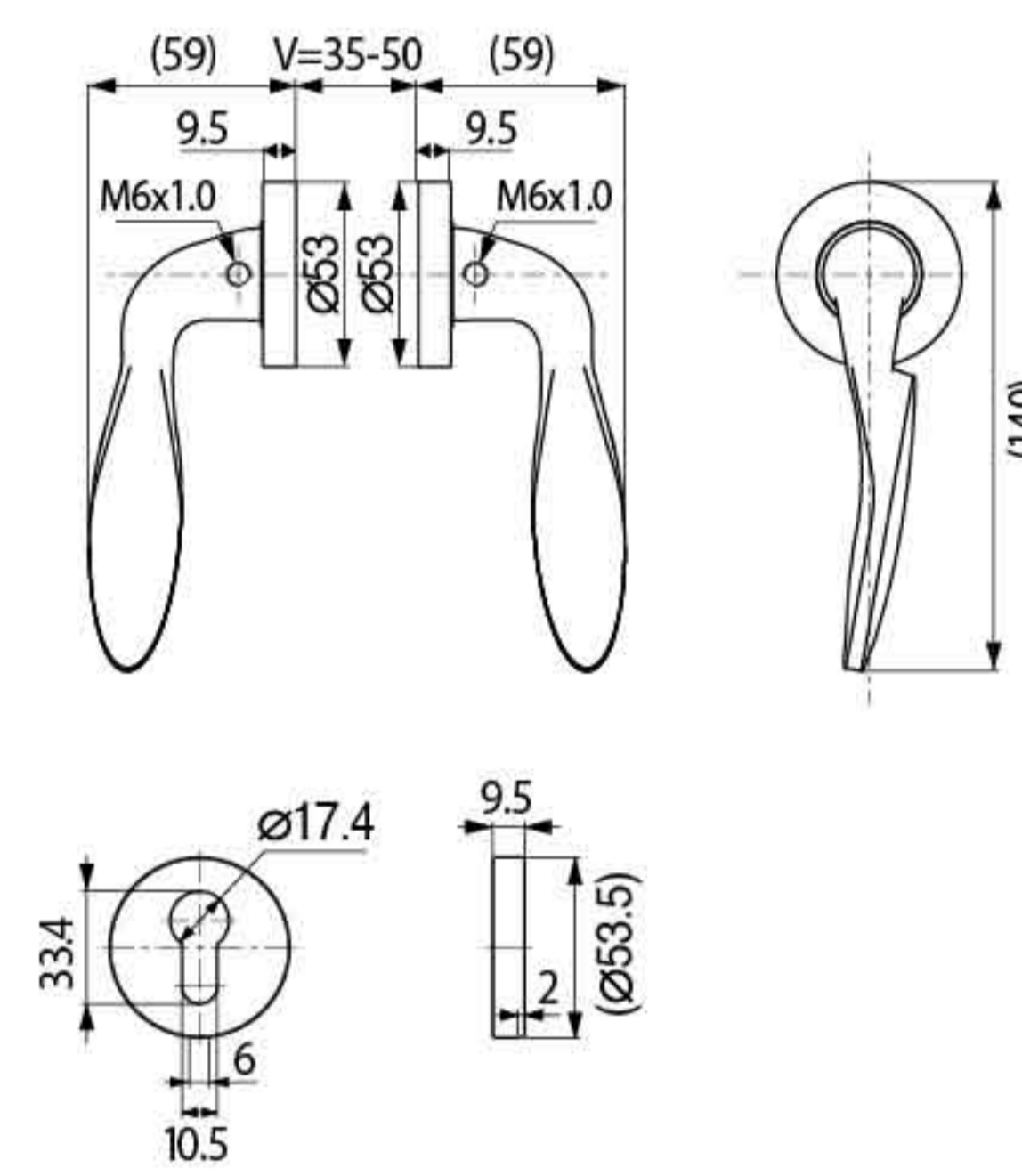
PS

AC

SB



ML-SOLID027



Specification

- Material : SUS304
- Solid Handle
- Door thickness : 35-50mm

Product Name

- ML-SOLID027-SS
- ML-SOLID027-PB
- ML-SOLID027-AB
- ML-SOLID027-BLK
- ML-SOLID027-ORB
- ML-SOLID027-PS
- ML-SOLID027-AC
- ML-SOLID027-SB

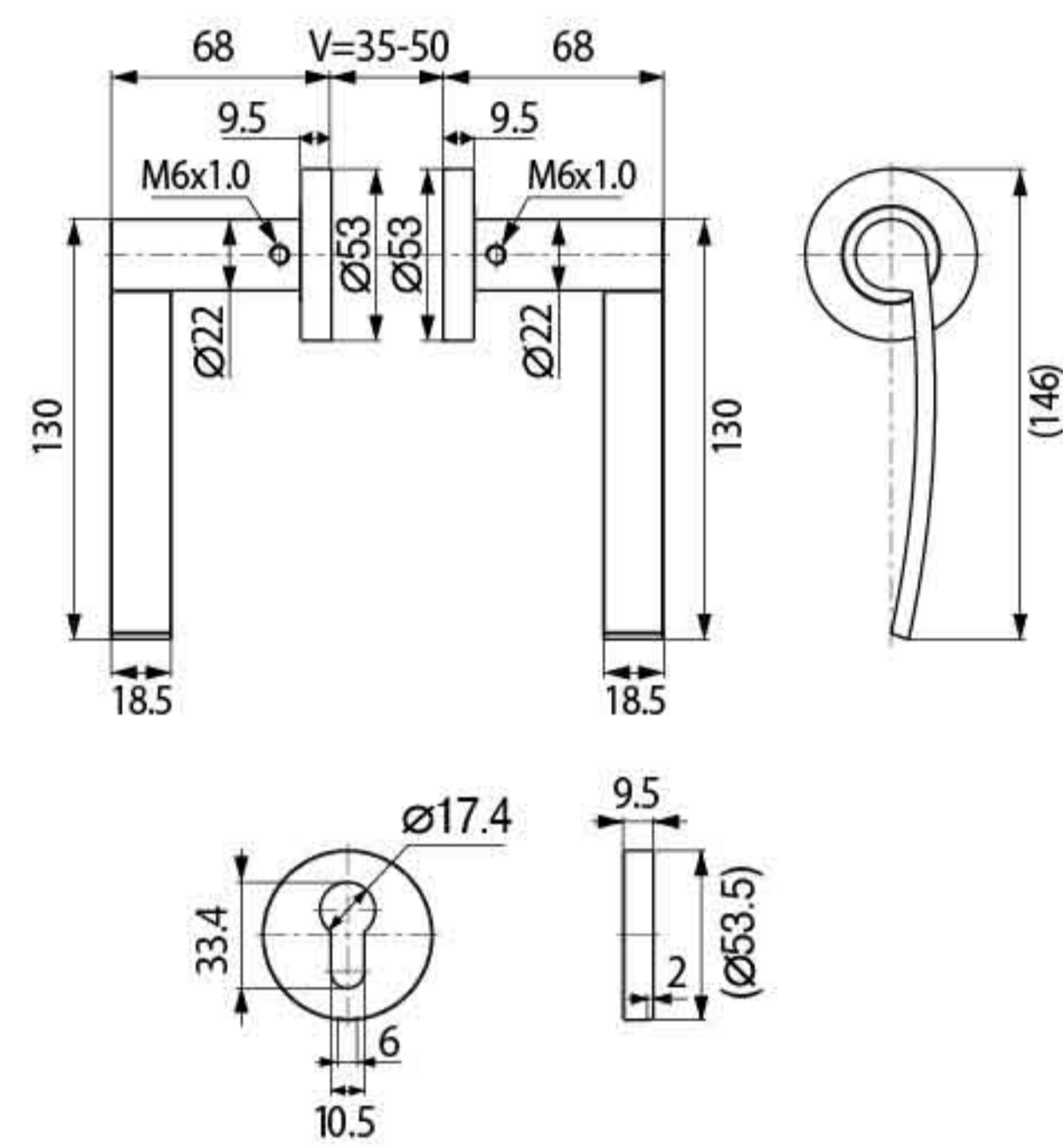
SOLID HANDLE



ML-SOLID028



ML-SOLID029

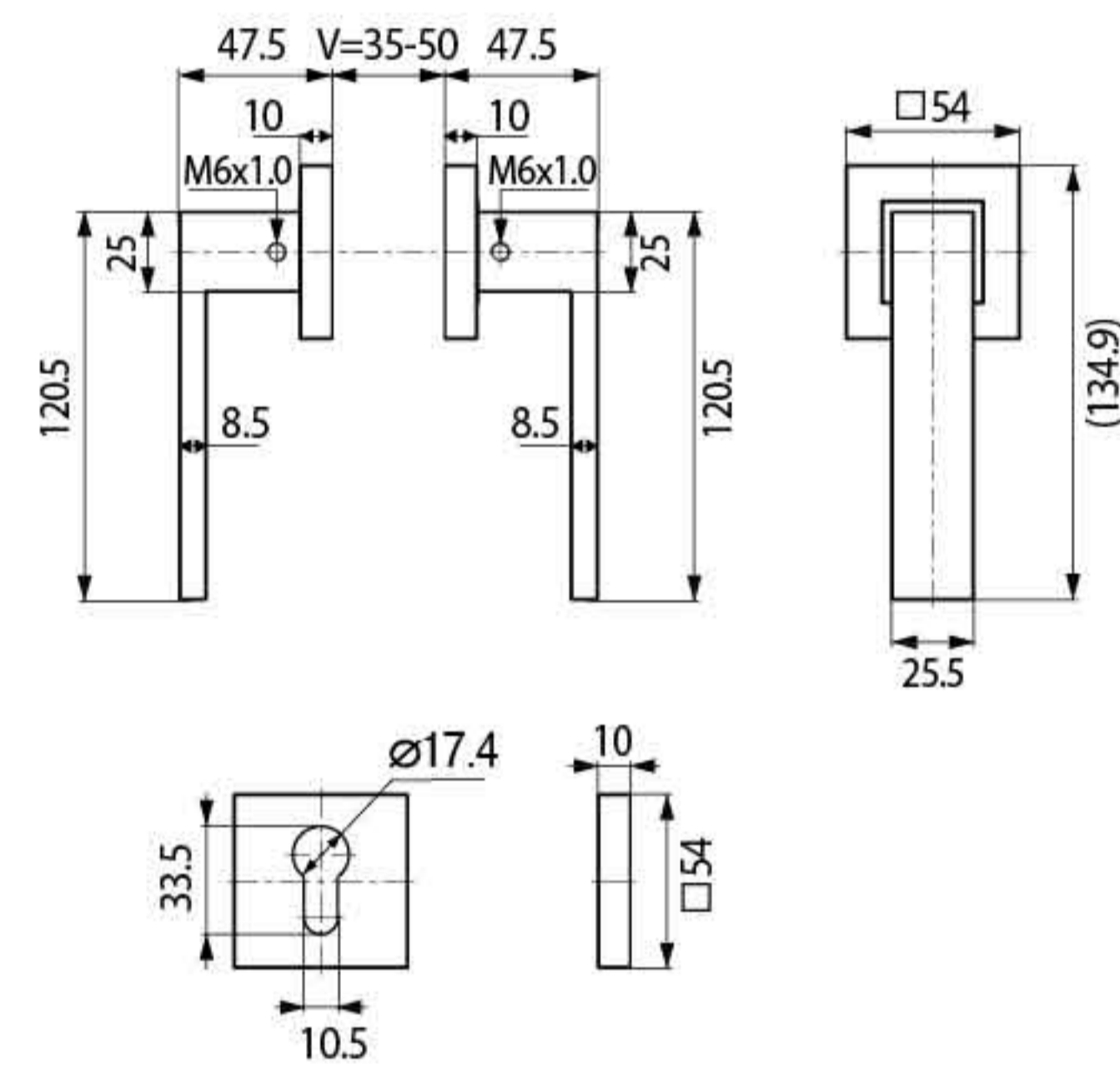


Specification

- Material : SUS304
- Solid Handle
- Door thickness : 35-50mm

Product Name

- ML-SOLID028-SS
- ML-SOLID028-PB
- ML-SOLID028-AB
- ML-SOLID028-BLK
- ML-SOLID028-ORB
- ML-SOLID028-PS
- ML-SOLID028-AC
- ML-SOLID028-SB



Specification

- Material : SUS304
- Solid Handle
- Door thickness : 35-50mm

Product Name

- ML-SOLID029-SS
- ML-SOLID029-PB
- ML-SOLID029-AB
- ML-SOLID029-BLK
- ML-SOLID029-ORB
- ML-SOLID029-PS
- ML-SOLID029-AC
- ML-SOLID029-SB

Finish



PROFILE CYLINDER



(pin cylinder key)

MLCY01-C6000-70

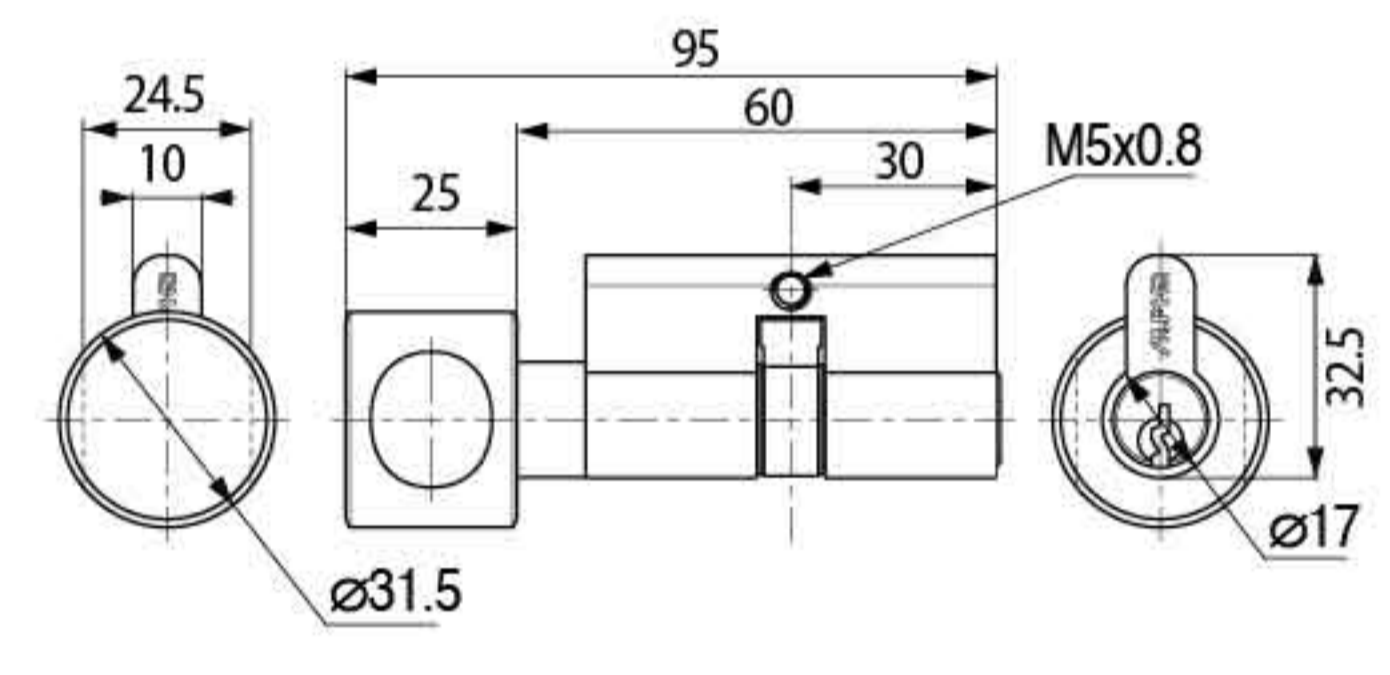
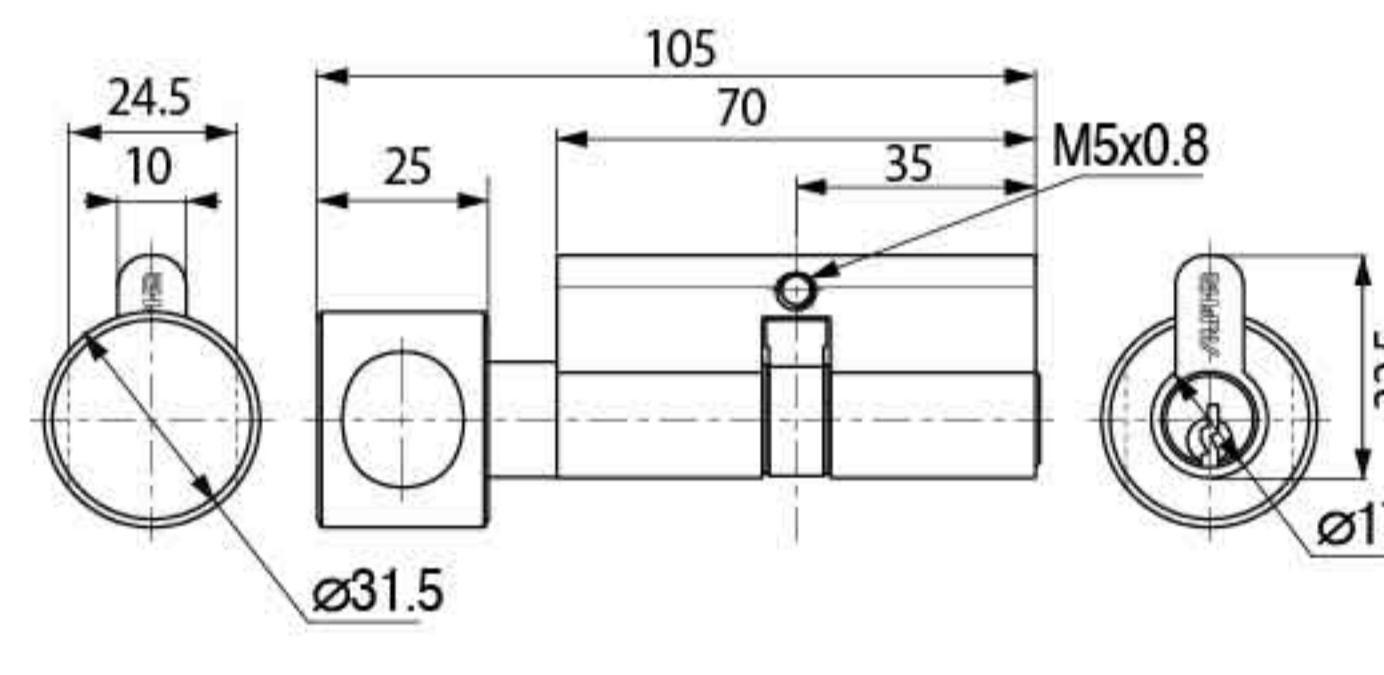
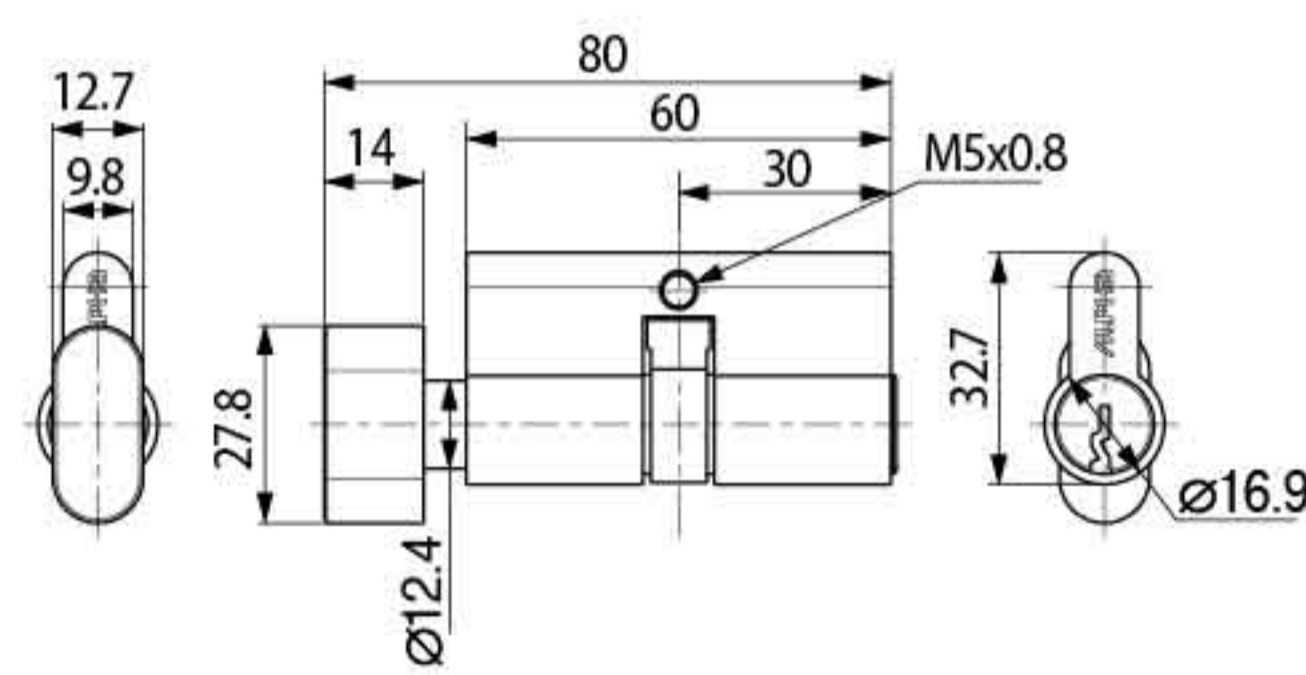
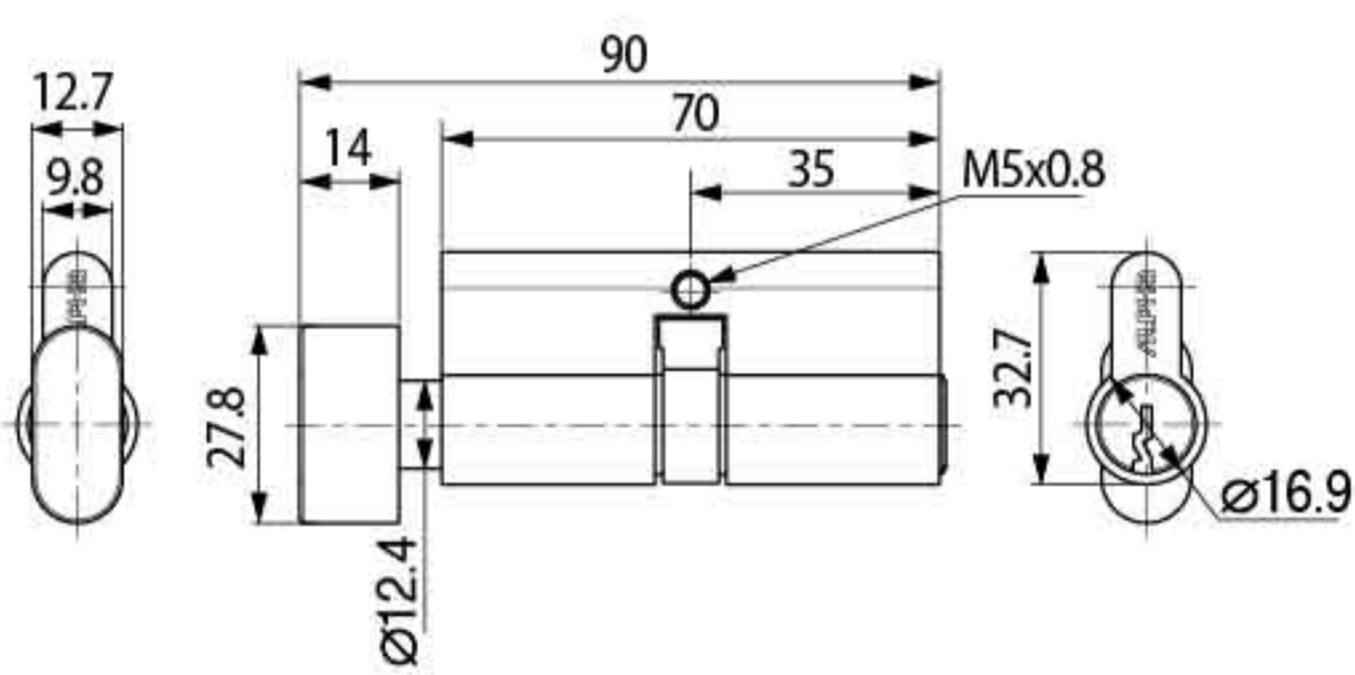
MLCY01-C6000-60



(pin cylinder key)

MLCY01-C6001-70

MLCY01-C6001-60



Specification

- 6 pin single cylinder
- W/3 standard
- 70MM (35MM X 35MM)
- Oval shaped thumbturn
- Brass material

Specification

- 5 pin single cylinder
- W/3 standard
- 60MM (30MM X 30MM)
- Oval shaped thumbturn
- Brass material

Specification

- 6 pin single cylinder
- W/3 standard
- 70MM (35MM X 35MM)
- Round shaped thumbturn
- Brass material

Specification

- 5 pin single cylinder
- W/3 standard
- 60MM (30MM X 30MM)
- Round shaped thumbturn
- Brass material

Product Name

- MLCY01-C6000-SS-70
- MLCY01-C6000-PB-70
- MLCY01-C6000-AB-70
- MLCY01-C6000-BLK-70
- MLCY01-C6000-ORB-70
- MLCY01-C6000-PS-70
- MLCY01-C6000-AC-70
- MLCY01-C6000-SB-70

Product Name

- MLCY01-C6000-SS-60
- MLCY01-C6000-PB-60
- MLCY01-C6000-AB-60
- MLCY01-C6000-BLK-60
- MLCY01-C6000-ORB-60
- MLCY01-C6000-PS-60
- MLCY01-C6000-AC-60
- MLCY01-C6000-SB-60

Product Name

- MLCY01-C6001-SS-70
- MLCY01-C6001-PB-70
- MLCY01-C6001-AB-70
- MLCY01-C6001-BLK-70
- MLCY01-C6001-ORB-70
- MLCY01-C6001-PS-70
- MLCY01-C6001-AC-70
- MLCY01-C6001-SB-70

Product Name

- MLCY01-C6001-SS-60
- MLCY01-C6001-PB-60
- MLCY01-C6001-AB-60
- MLCY01-C6001-BLK-60
- MLCY01-C6001-ORB-60
- MLCY01-C6001-PS-60
- MLCY01-C6001-AC-60
- MLCY01-C6001-SB-60

Finish



SS

PB

AB

BLK

ORB

PS

AC

SB

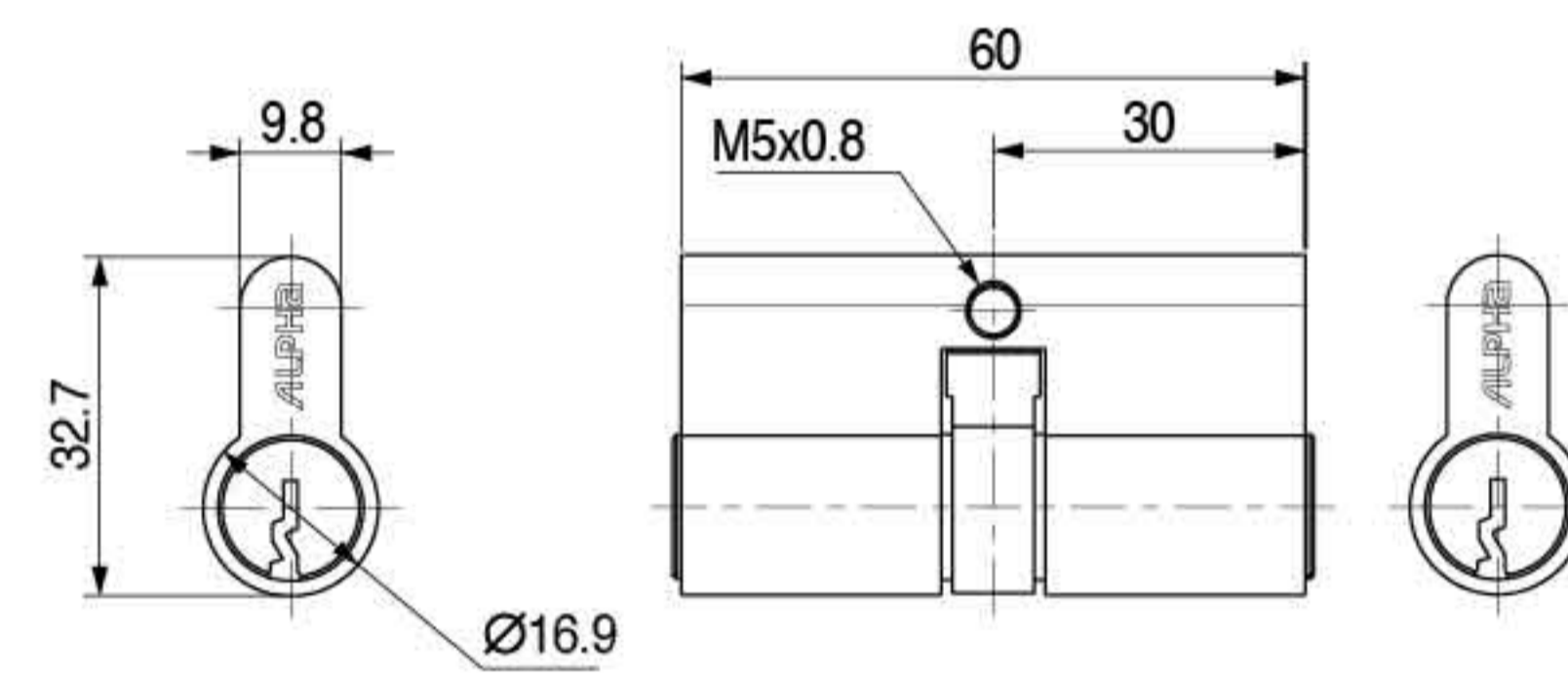
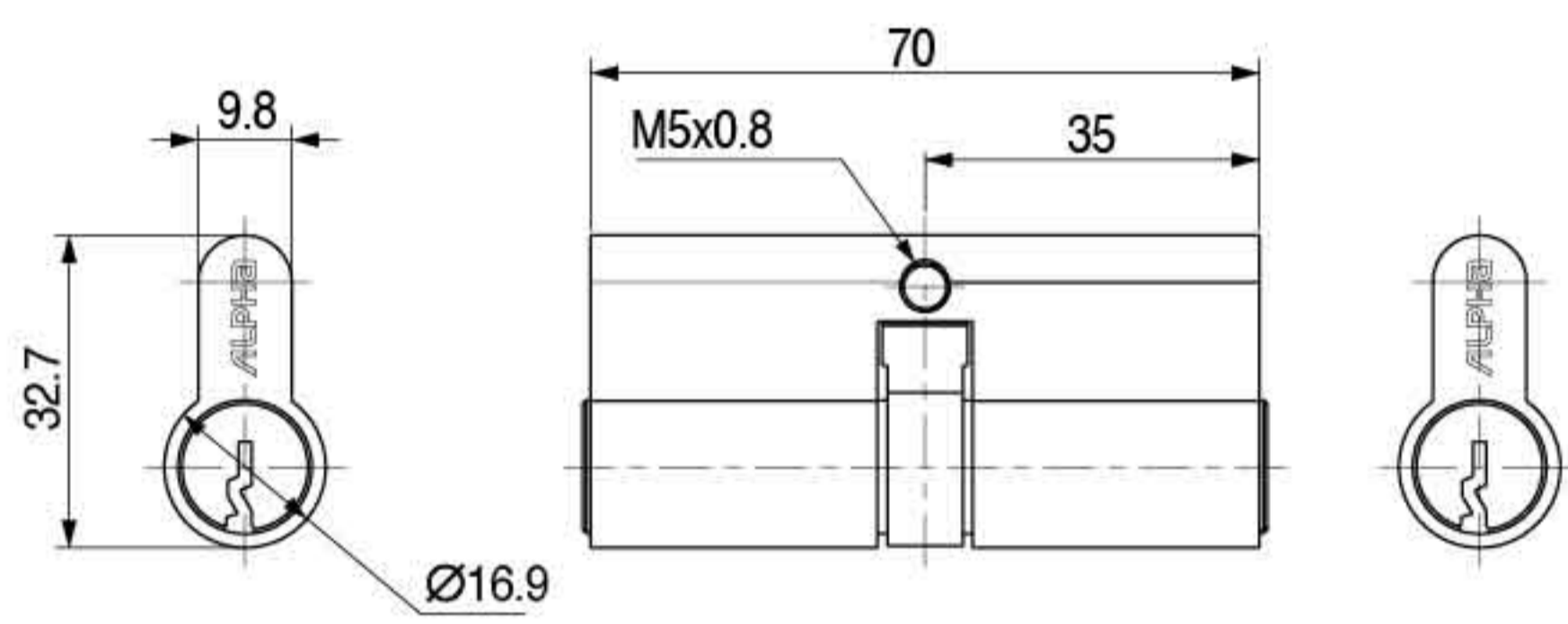
PROFILE CYLINDER



MLCY03-C6000-70



MLCY03-C6000-60



Specification

- 6 pin double cylinder
- W/3 standard
- 70MM (35MM X 35MM)
- Brass material

Specification

- 5 pin double cylinder
- W/3 standard
- 60MM (30MM X 30MM)
- Brass material

Product Name

- MLCY03-C6000-SS-70
- MLCY03-C6000-PB-70
- MLCY03-C6000-AB-70
- MLCY03-C6000-BLK-70
- MLCY03-C6000-ORB-70
- MLCY03-C6000-PS-70
- MLCY03-C6000-AC-70
- MLCY03-C6000-SB-70

Product Name

- MLCY03-C6000-SS-60
- MLCY03-C6000-PB-60
- MLCY03-C6000-AB-60
- MLCY03-C6000-BLK-60
- MLCY03-C6000-ORB-60
- MLCY03-C6000-PS-60
- MLCY03-C6000-AC-60
- MLCY03-C6000-SB-60

Finish



PROFILE CYLINDER



MLCY05-C6000-70



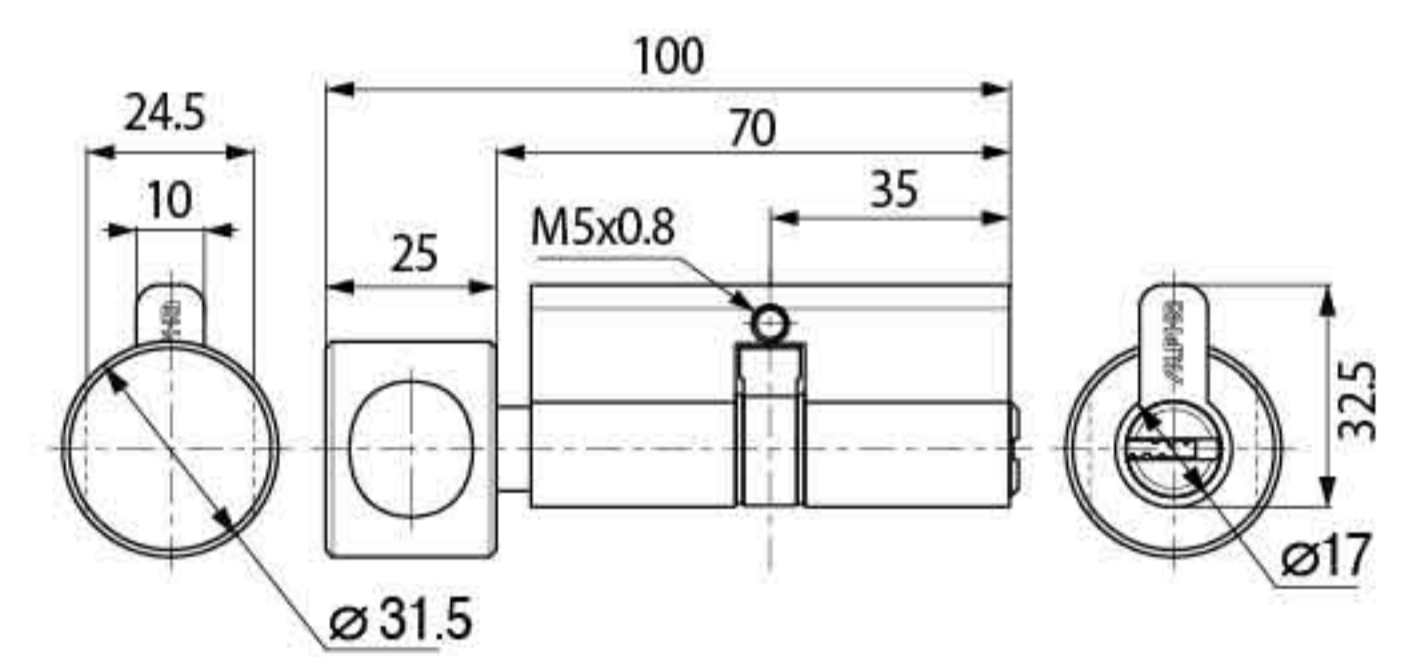
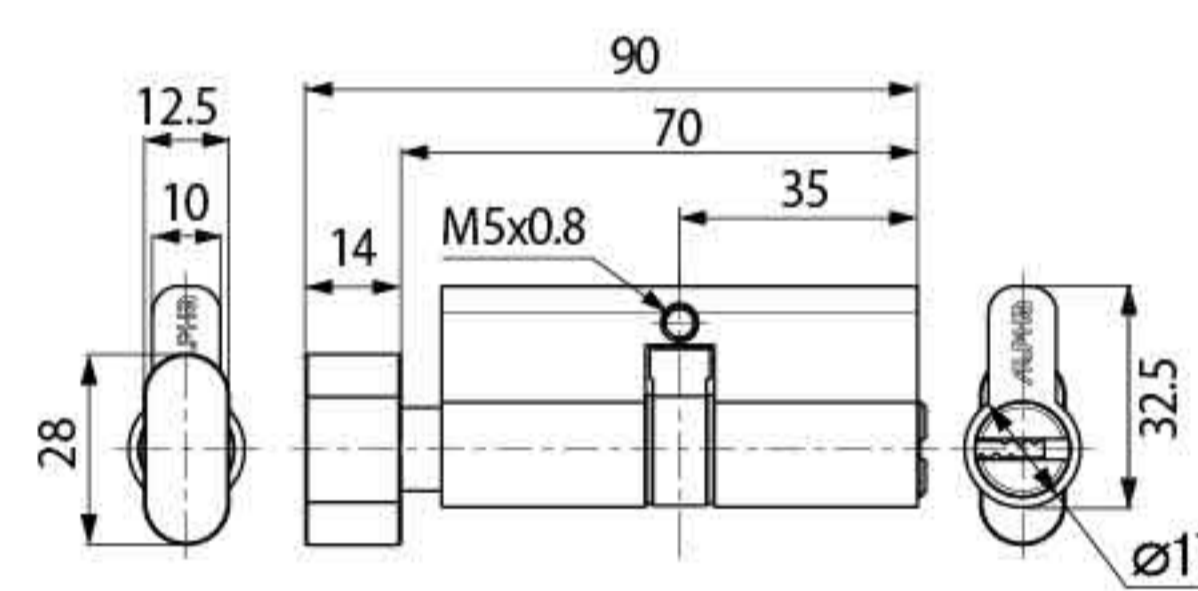
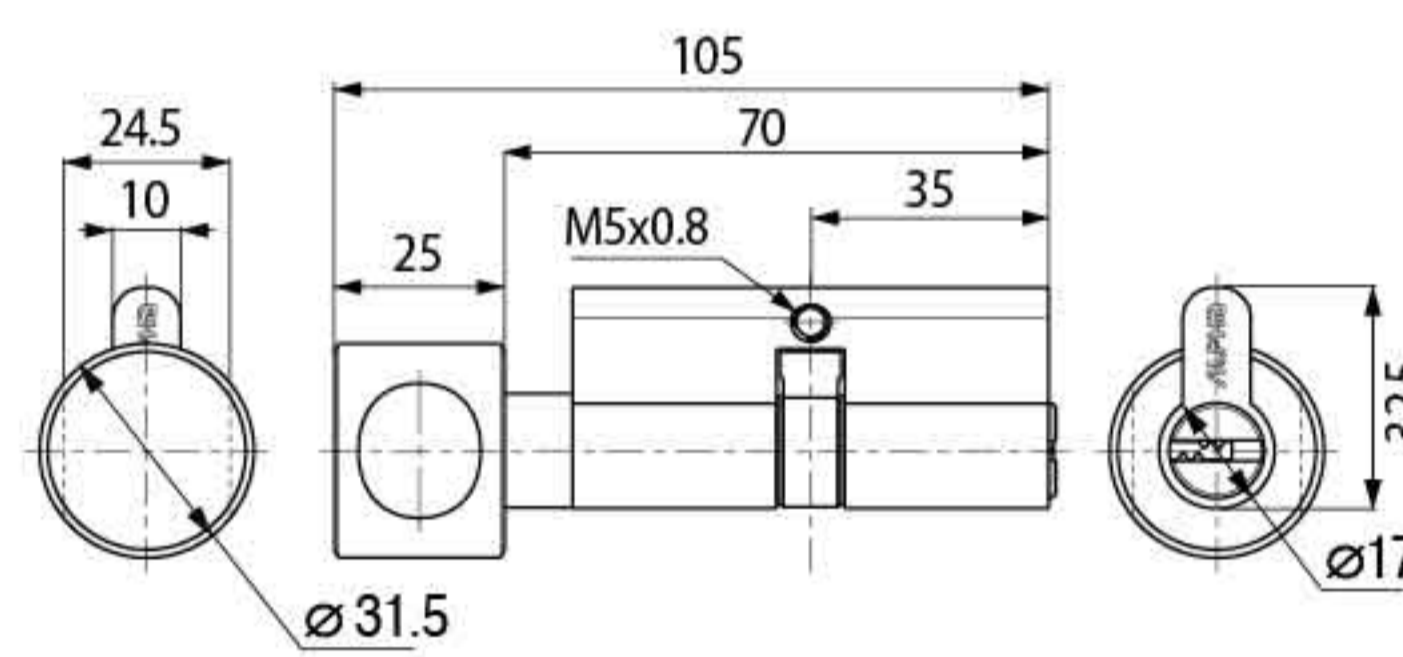
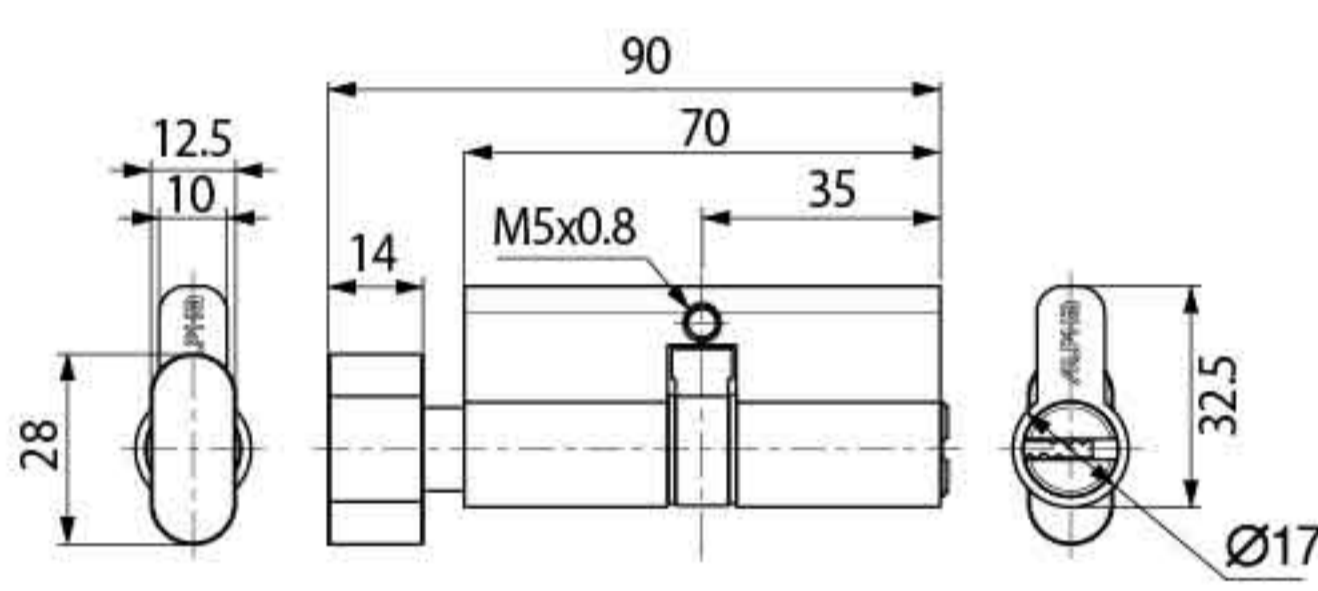
MLCY05-C6001-70



MLCY05-C6002-70



MLCY05-C6003-70



Specification

- Single cylinder
- Single line key
- W/5 computer keys
- 70MM (35MM X 35MM)
- Oval shaped thumbturn
- Brass material

Product Name

- MLCY05-C6000-SS-70
- MLCY05-C6000-PB-70
- MLCY05-C6000-AB-70
- MLCY05-C6000-BLK-70
- MLCY05-C6000-ORB-70
- MLCY05-C6000-PS-70
- MLCY05-C6000-AC-70
- MLCY05-C6000-SB-70

Specification

- Single cylinder
- Single line key
- W/5 computer keys
- 70MM (35MM X 35MM)
- Round shaped thumbturn
- Brass material

Product Name

- MLCY05-C6001-SS-70
- MLCY05-C6001-PB-70
- MLCY05-C6001-AB-70
- MLCY05-C6001-BLK-70
- MLCY05-C6001-ORB-70
- MLCY05-C6001-PS-70
- MLCY05-C6001-AC-70
- MLCY05-C6001-SB-70

Specification

- Single cylinder
- Double line key
- W/5 computer keys
- 70MM (35MM X 35MM)
- Oval shaped thumbturn
- Brass material

Product Name

- MLCY05-C6002-SS-70
- MLCY05-C6002-PB-70
- MLCY05-C6002-AB-70
- MLCY05-C6002-BLK-70
- MLCY05-C6002-ORB-70
- MLCY05-C6002-PS-70
- MLCY05-C6002-AC-70
- MLCY05-C6002-SB-70

Specification

- Single cylinder
- Double line key
- W/5 computer keys
- 70MM (35MM X 35MM)
- Round shaped thumbturn
- Brass material

Product Name

- MLCY05-C6003-SS-70
- MLCY05-C6003-PB-70
- MLCY05-C6003-AB-70
- MLCY05-C6003-BLK-70
- MLCY05-C6003-ORB-70
- MLCY05-C6003-PS-70
- MLCY05-C6003-AC-70
- MLCY05-C6003-SB-70

Finish



SS

PB

AB

BLK

ORB

PS

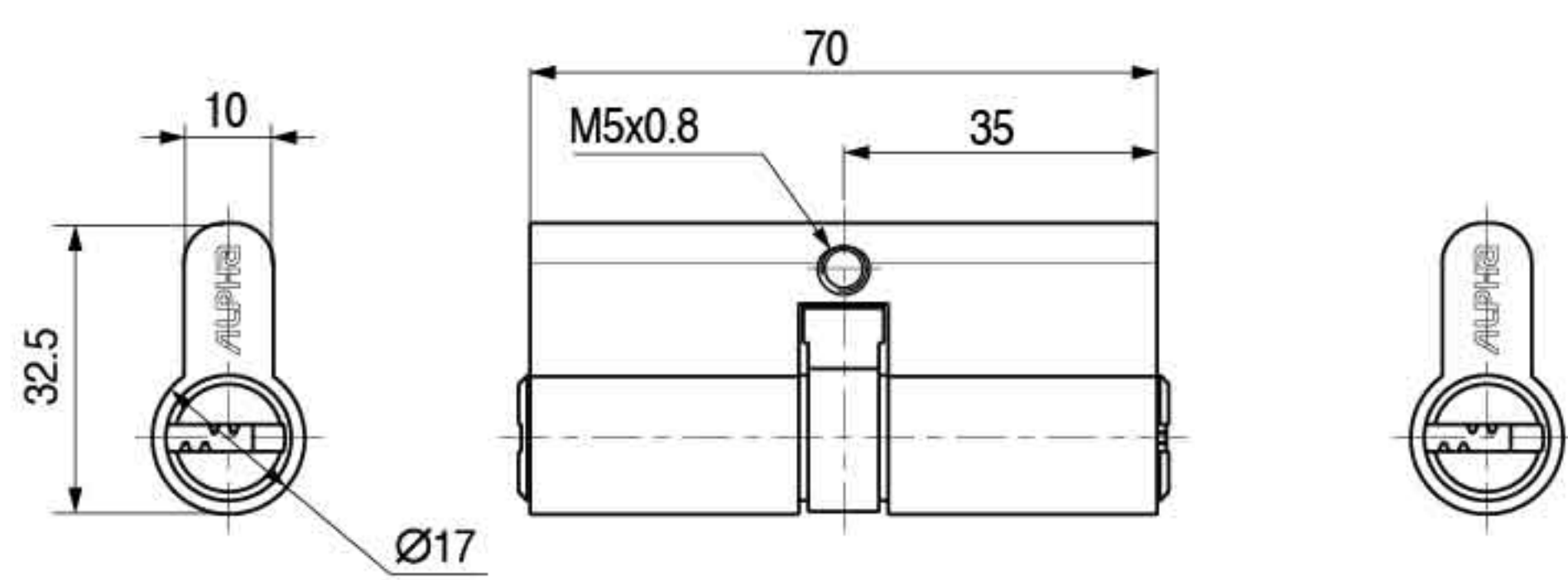
AC

SB

PROFILE CYLINDER



MLCY07-C6000-70



Specification

- Double cylinder
- Single line key
- W/5 computer keys
- 70MM (35MM X 35MM)
- Brass material

Product Name

- MLCY07-C6000-SS-70
- MLCY07-C6000-PB-70
- MLCY07-C6000-AB-70
- MLCY07-C6000-BLK-70
- MLCY07-C6000-ORB-70
- MLCY07-C6000-PS-70
- MLCY07-C6000-AC-70
- MLCY07-C6000-SB-70

Finish



PROFILE CYLINDER



(privacy)

MLCY09-C6000-70

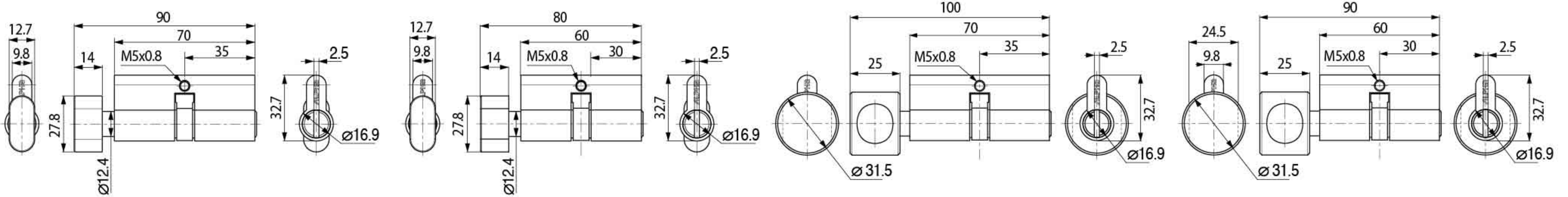
MLCY09-C6000-60



(privacy)

MLCY09-C6001-70

MLCY09-C6001-60



Specification

- Privacy type
- 70MM (35MM X 35MM)
- Oval shaped thumbturn
- Brass material

Specification

- Privacy type
- 60MM (30MM X 30MM)
- Oval shaped thumbturn
- Brass material

Specification

- Privacy type
- 70MM (35MM X 35MM)
- Round shaped thumbturn
- Brass material

Specification

- Privacy type
- 60MM (30MM X 30MM)
- Round shaped thumbturn
- Brass material

Product Name

- MLCY09-C6000-SS-70
- MLCY09-C6000-PB-70
- MLCY09-C6000-AB-70
- MLCY09-C6000-BLK-70
- MLCY09-C6000-ORB-70
- MLCY09-C6000-PS-70
- MLCY09-C6000-AC-70
- MLCY09-C6000-SB-70

Product Name

- MLCY09-C6000-SS-60
- MLCY09-C6000-PB-60
- MLCY09-C6000-AB-60
- MLCY09-C6000-BLK-60
- MLCY09-C6000-ORB-60
- MLCY09-C6000-PS-60
- MLCY09-C6000-AC-60
- MLCY09-C6000-SB-60

Product Name

- MLCY09-C6001-SS-70
- MLCY09-C6001-PB-70
- MLCY09-C6001-AB-70
- MLCY09-C6001-BLK-70
- MLCY09-C6001-ORB-70
- MLCY09-C6001-PS-70
- MLCY09-C6001-AC-70
- MLCY09-C6001-SB-70

Product Name

- MLCY09-C6001-SS-60
- MLCY09-C6001-PB-60
- MLCY09-C6001-AB-60
- MLCY09-C6001-BLK-60
- MLCY09-C6001-ORB-60
- MLCY09-C6001-PS-60
- MLCY09-C6001-AC-60
- MLCY09-C6001-SB-60

Finish



SS

PB

AB

BLK

ORB

PS

AC

SB

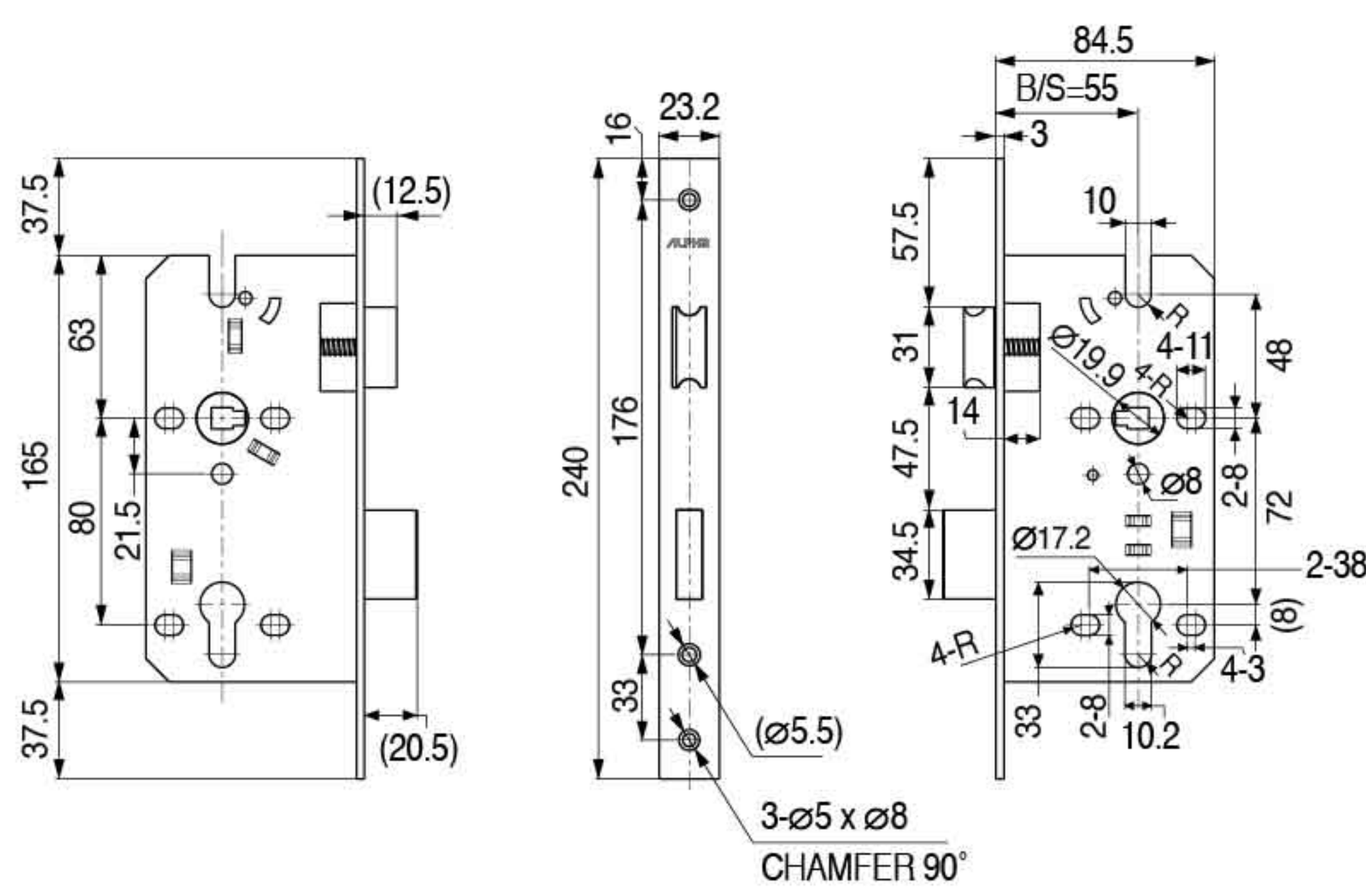
MORTISE LOCK CASE



MLCASE-55-72



MLCASE-60-85

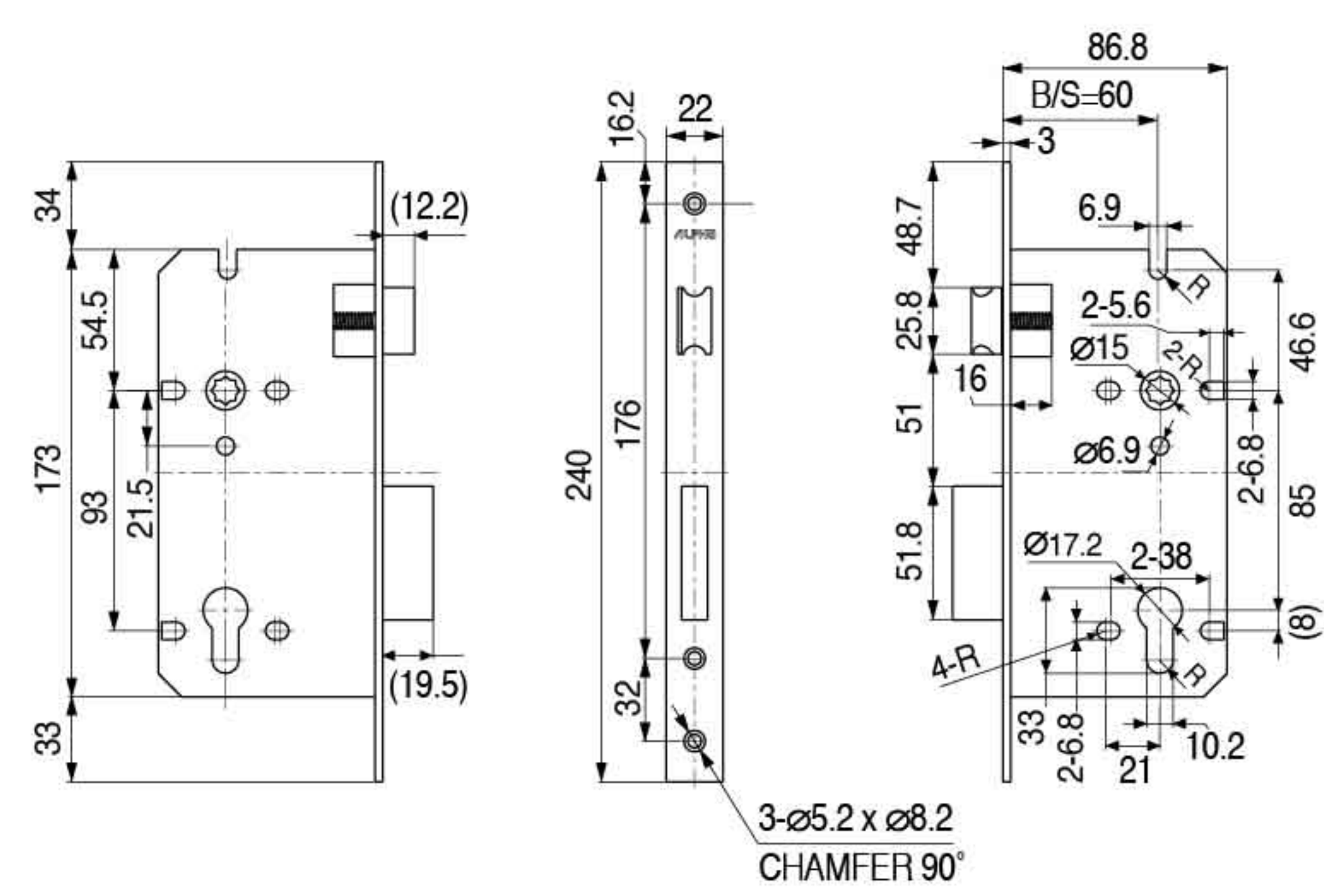


Specification

- Backset : 55 mm.
- Spacing : 72 mm.
- SUS304 latch and dead bolt

Product Name

- MLCASE-55-72-SS
- MLCASE-55-72-PB
- MLCASE-55-72-AB
- MLCASE-55-72-BLK
- MLCASE-55-72-ORB
- MLCASE-55-72-PS
- MLCASE-55-72-AC
- MLCASE-55-72-SB



Specification

- Backset : 60 mm.
- Spacing : 85 mm.
- SUS304 latch and dead bolt

Product Name

- MLCASE-60-85-SS
- MLCASE-60-85-PB
- MLCASE-60-85-AB
- MLCASE-60-85-BLK
- MLCASE-60-85-ORB
- MLCASE-60-85-PS
- MLCASE-60-85-AC
- MLCASE-60-85-SB

Finish



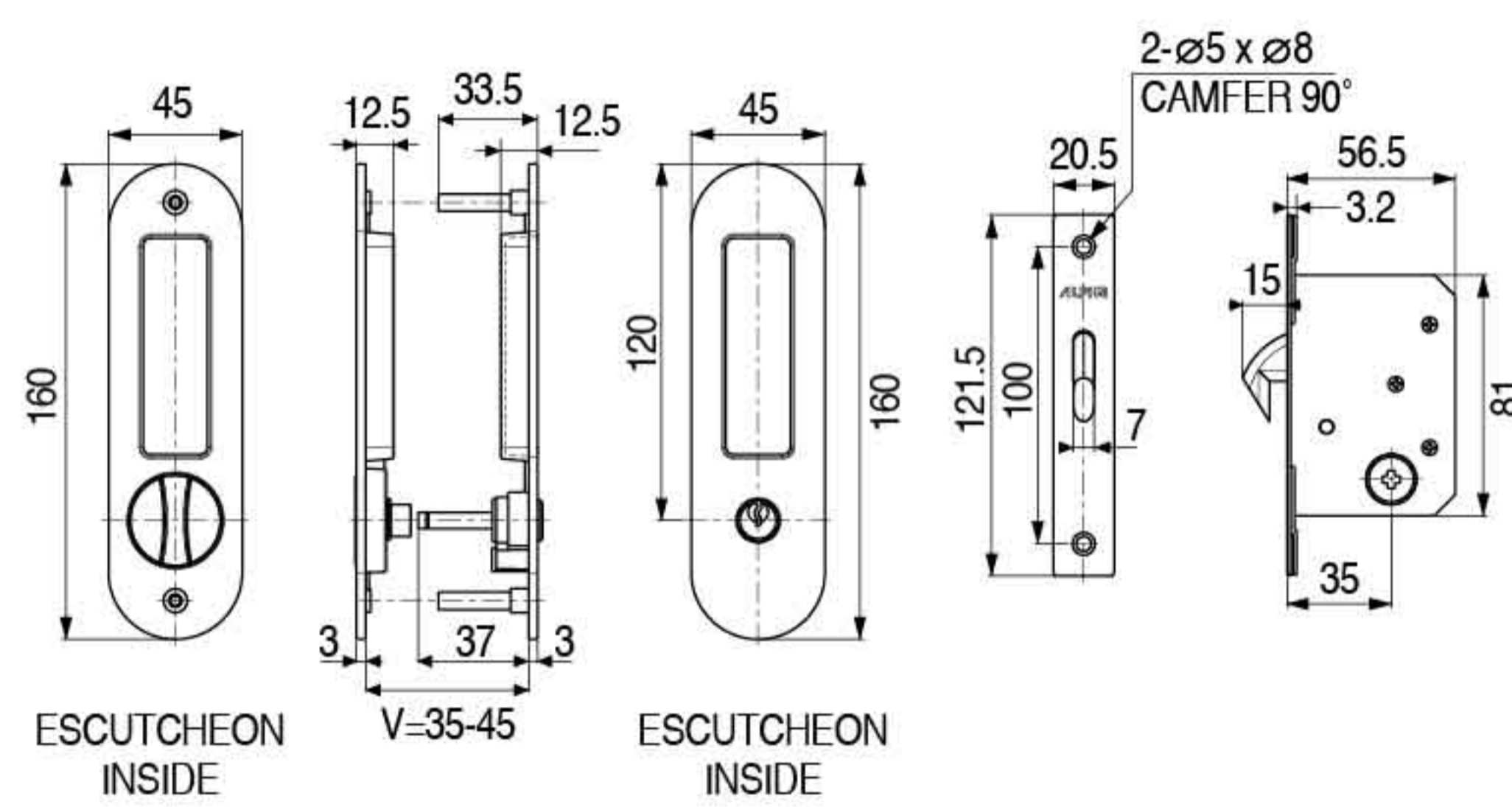
SLIDING LOCK



SL221-H0000-35



SL221-H0001-35

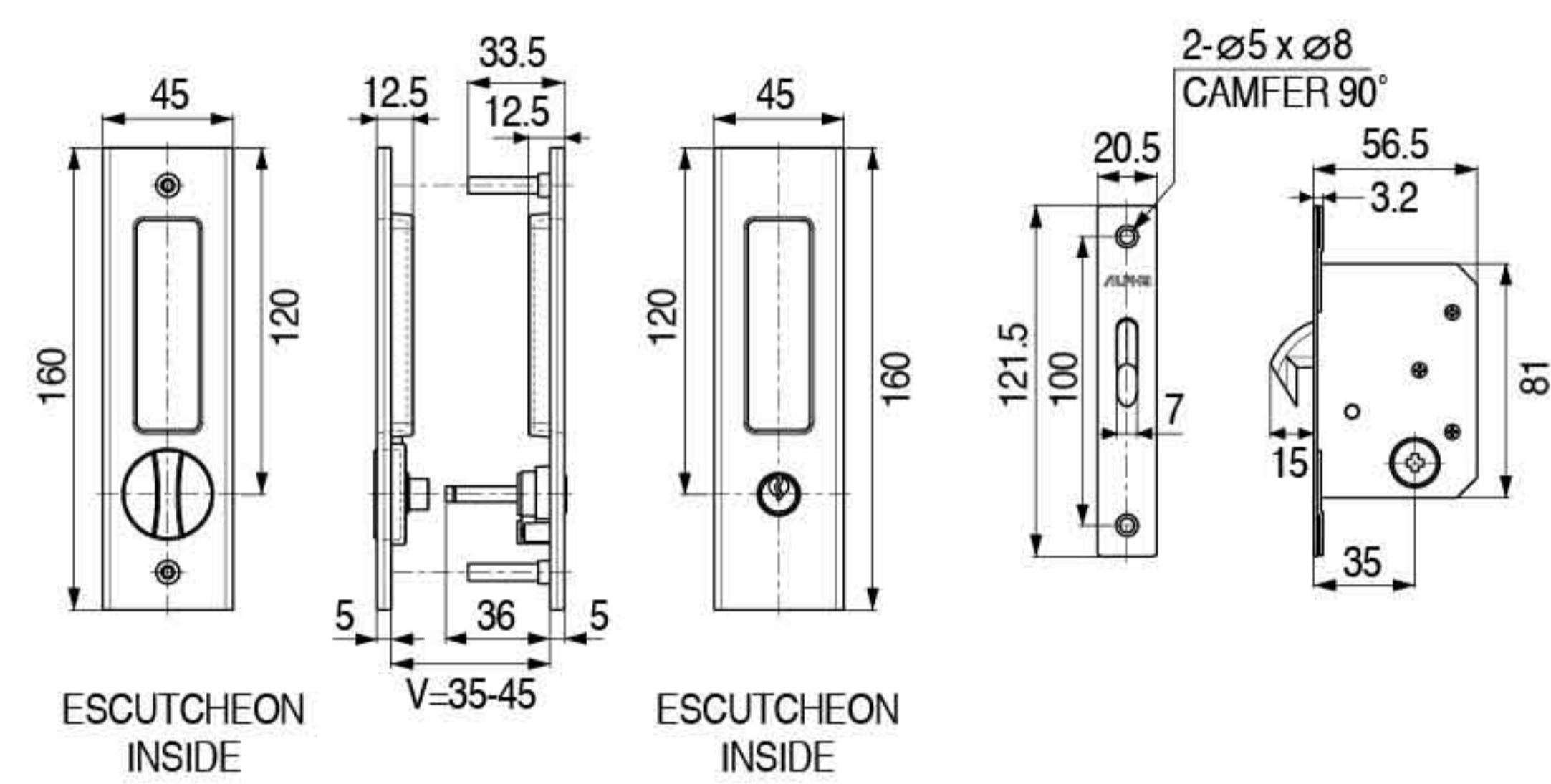


Specification

- Entry sliding lock system
- Round handle with ZINC ALLOY
- Single cylinder W/2 standard
- Hook dead bolt
- Door Thickness : 35-45mm
- Backset : 35mm

Product Name

- SL221-H0000-BSN-35
- SL221-H0000-BLK-35
- SL221-H0000-PB-35
- SL221-H0000-AB-35
- SL221-H0000-AC-35
- SL221-H0000-SB-35
- SL221-H0000-ORB-35



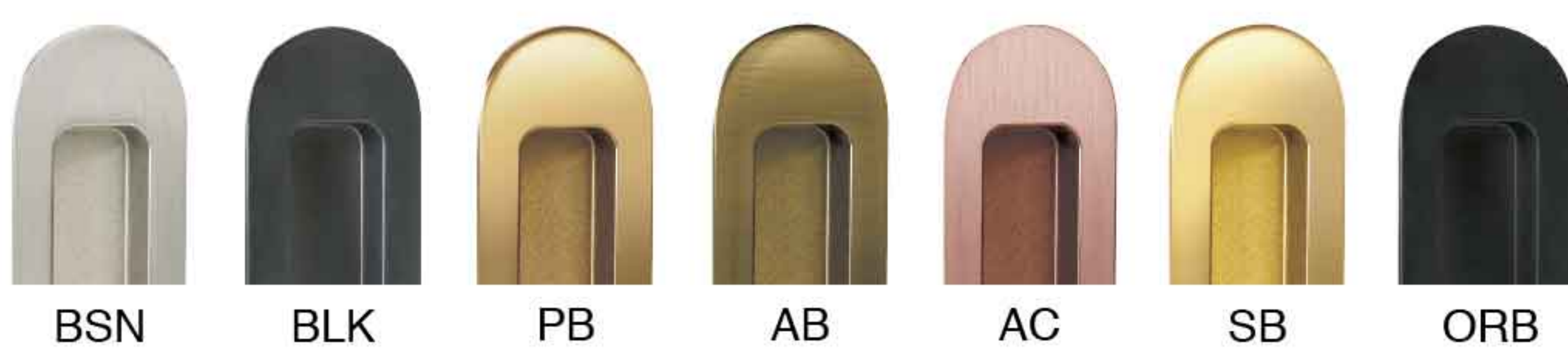
Specification

- Entry sliding lock system
- Square handle with ZINC ALLOY
- Single cylinder W/2 standard
- Hook dead bolt
- Door Thickness : 35-45mm
- Backset : 35mm

Product Name

- SL221-H0001-BSN-35
- SL221-H0001-BLK-35
- SL221-H0001-PB-35
- SL221-H0001-AB-35
- SL221-H0001-AC-35
- SL221-H0001-SB-35
- SL221-H0001-ORB-35

Finish



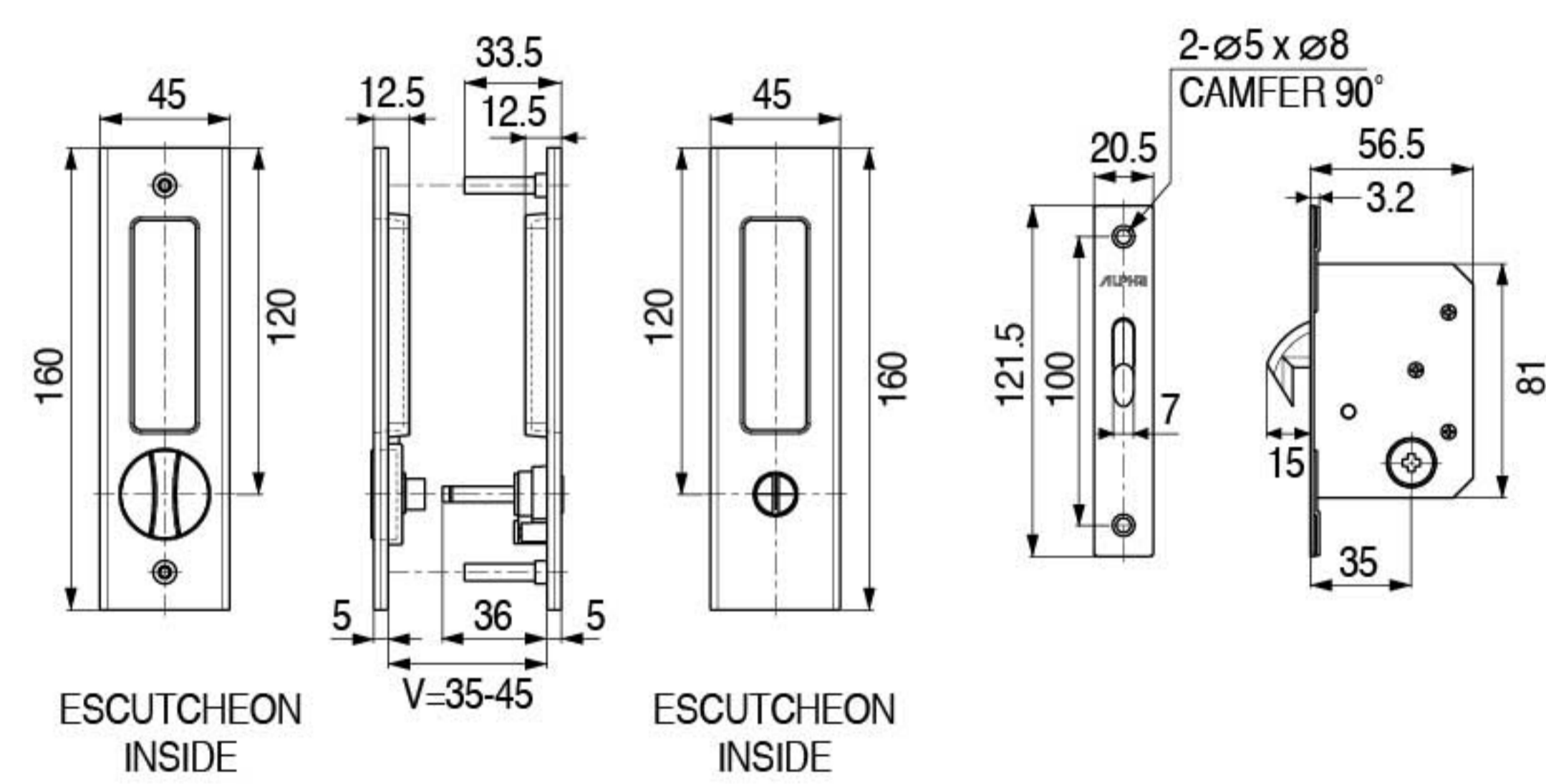
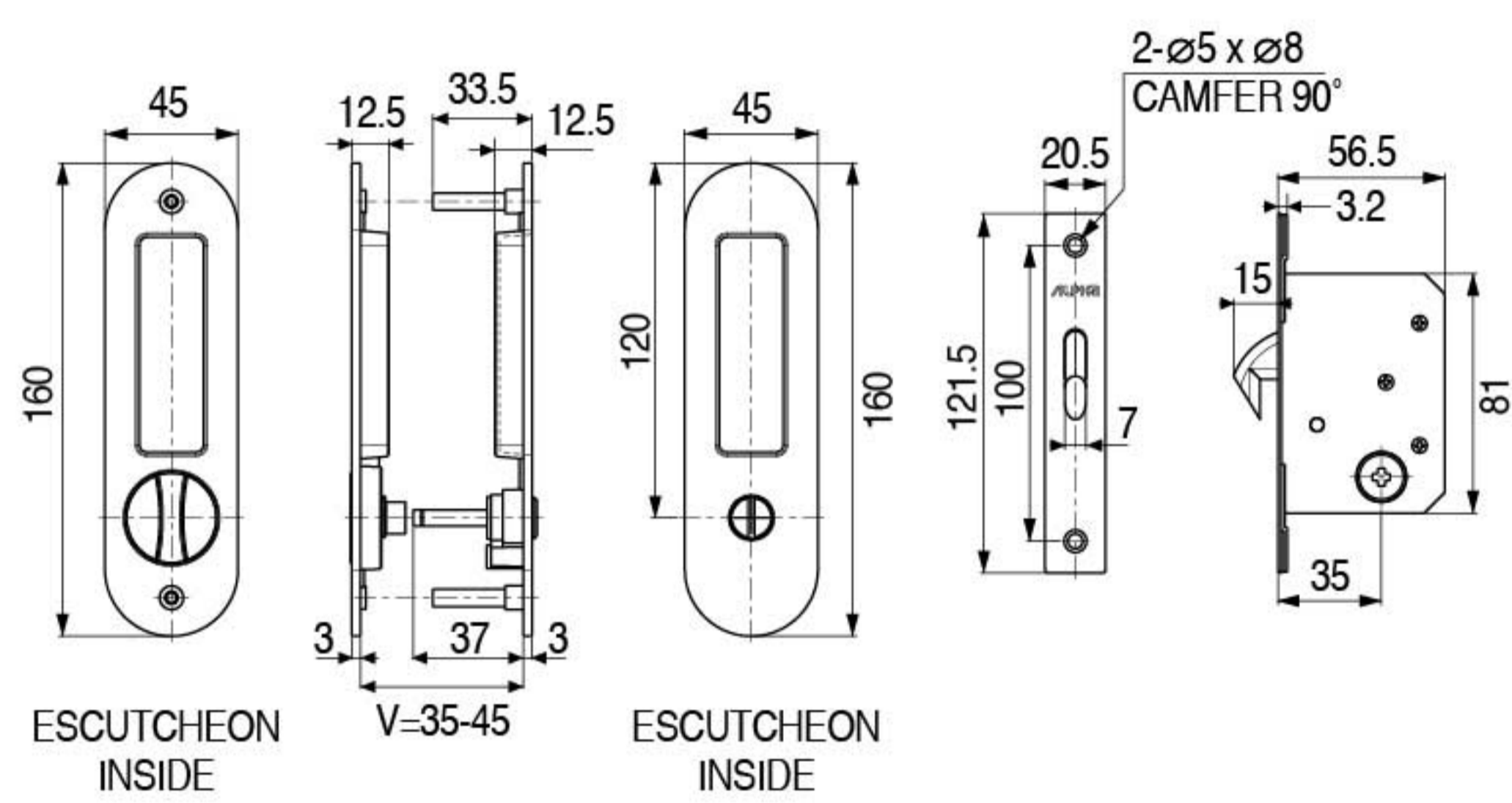
SLIDING LOCK



SL229-H0000-35



SL229-H0001-35



Specification

- Privacy sliding lock system
- Round handle with ZINC ALLOY
- Hook dead bolt
- Door Thickness : 35-45mm
- Backset : 35mm

Specification

- Privacy sliding lock system
- Round handle with ZINC ALLOY
- Hook dead bolt
- Door Thickness : 35-45mm
- Backset : 35mm

Product Name

- SL229-H0000-BSN-35
- SL229-H0000-BLK-35
- SL229-H0000-PB-35
- SL229-H0000-AB-35
- SL229-H0000-AC-35
- SL229-H0000-SB-35
- SL229-H0000-ORB-35

Product Name

- SL229-H0001-BSN-35
- SL229-H0001-BLK-35
- SL229-H0001-PB-35
- SL229-H0001-AB-35
- SL229-H0001-AC-35
- SL229-H0001-SB-35
- SL229-H0001-ORB-35

Finish







ACCESSORIES

ドアアクセサリー

HINGE



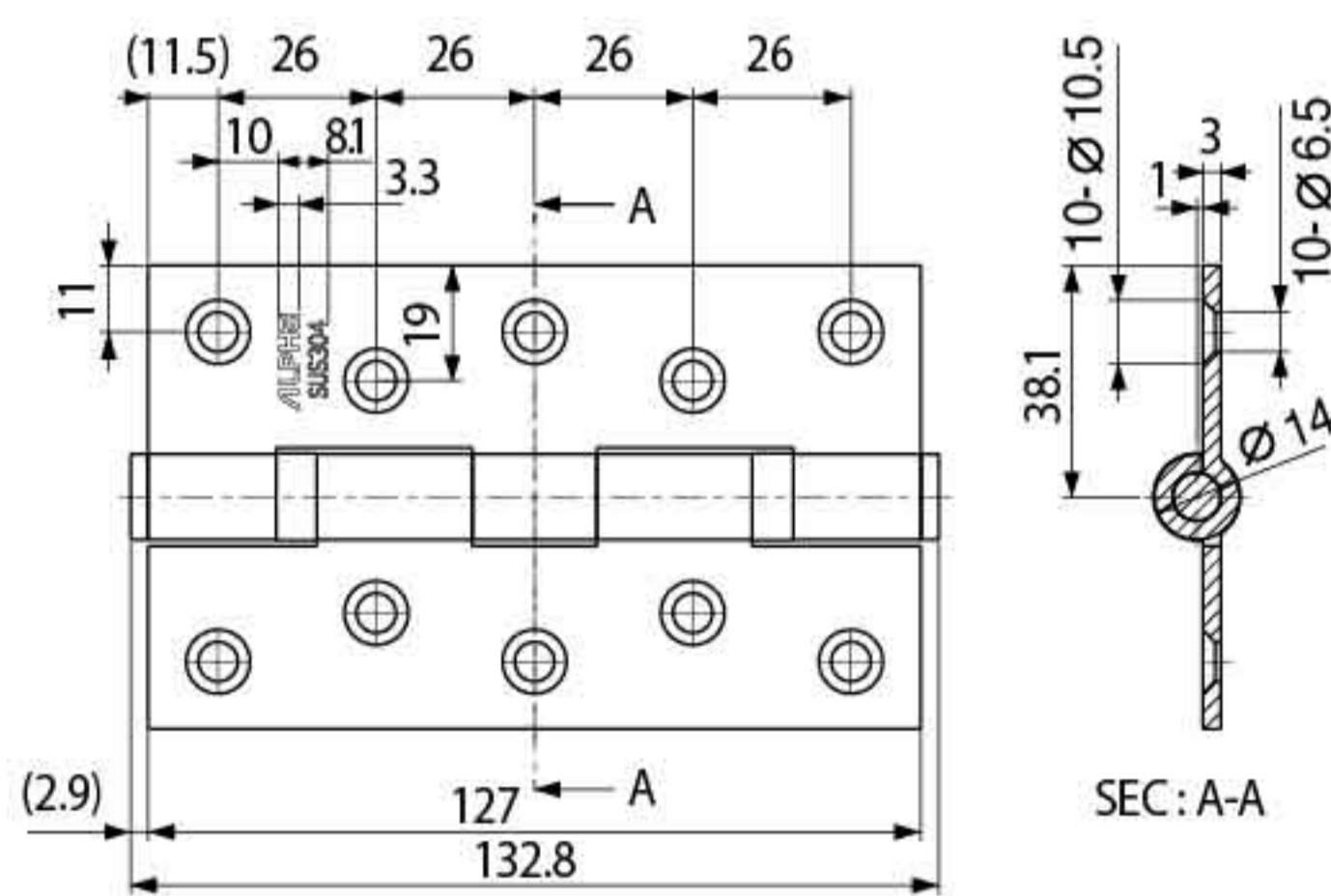
HINGE
5X3X3 2BB



HINGE
4X3X3 2BB



HINGE
3X3X2 2BB

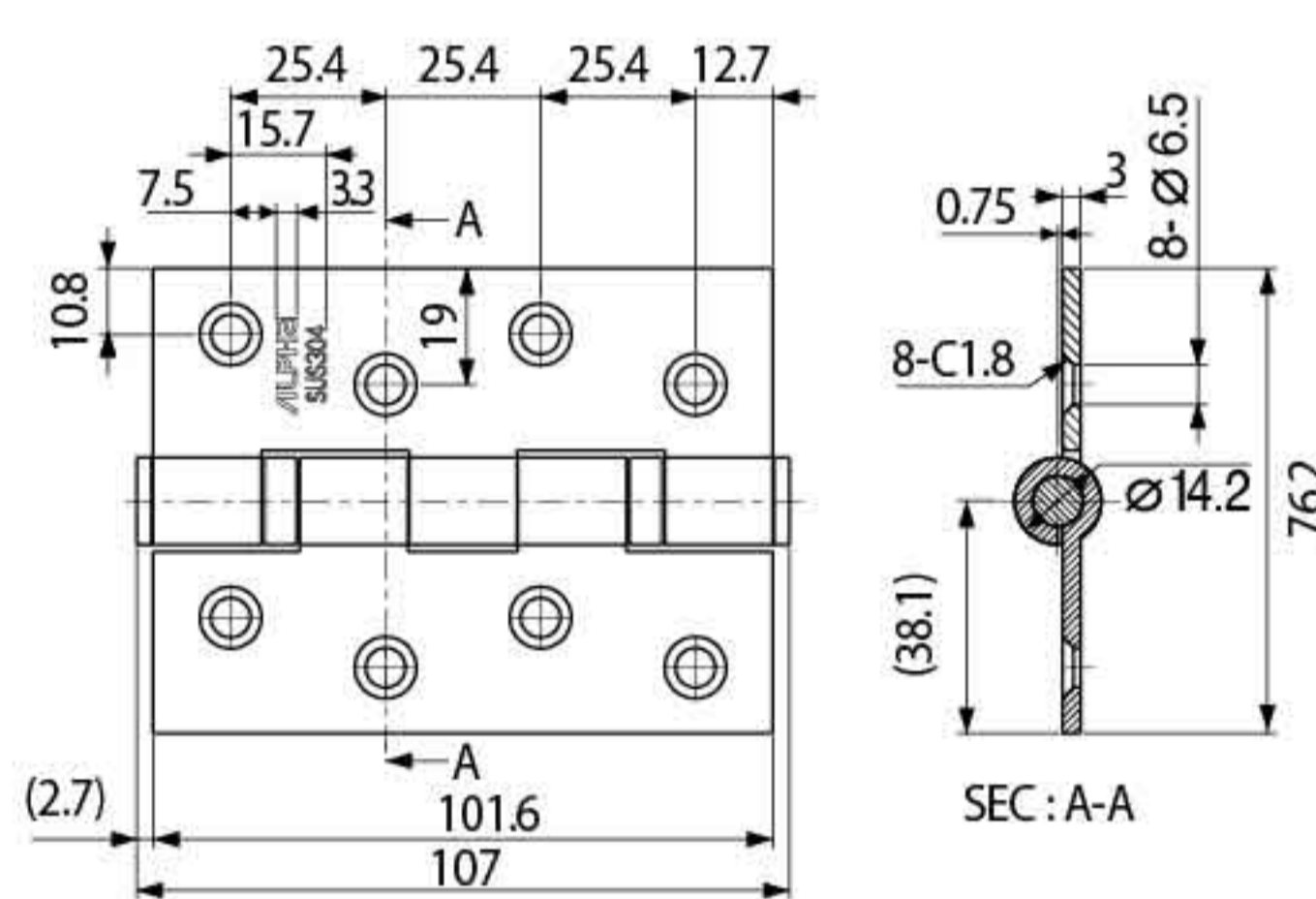


Specification

- SUS304 body 5'x3'x3mm
- SUS304 pin
- SUS304 screw
- Loose pin (removable pin)
- 2 ball bearing

Product Name

- HINGE 5X3X3 2BB SS
- HINGE 5X3X3 2BB PB
- HINGE 5X3X3 2BB AB
- HINGE 5X3X3 2BB BLK
- HINGE 5X3X3 2BB ORB
- HINGE 5X3X3 2BB PS
- HINGE 5X3X3 2BB AC
- HINGE 5X3X3 2BB SB

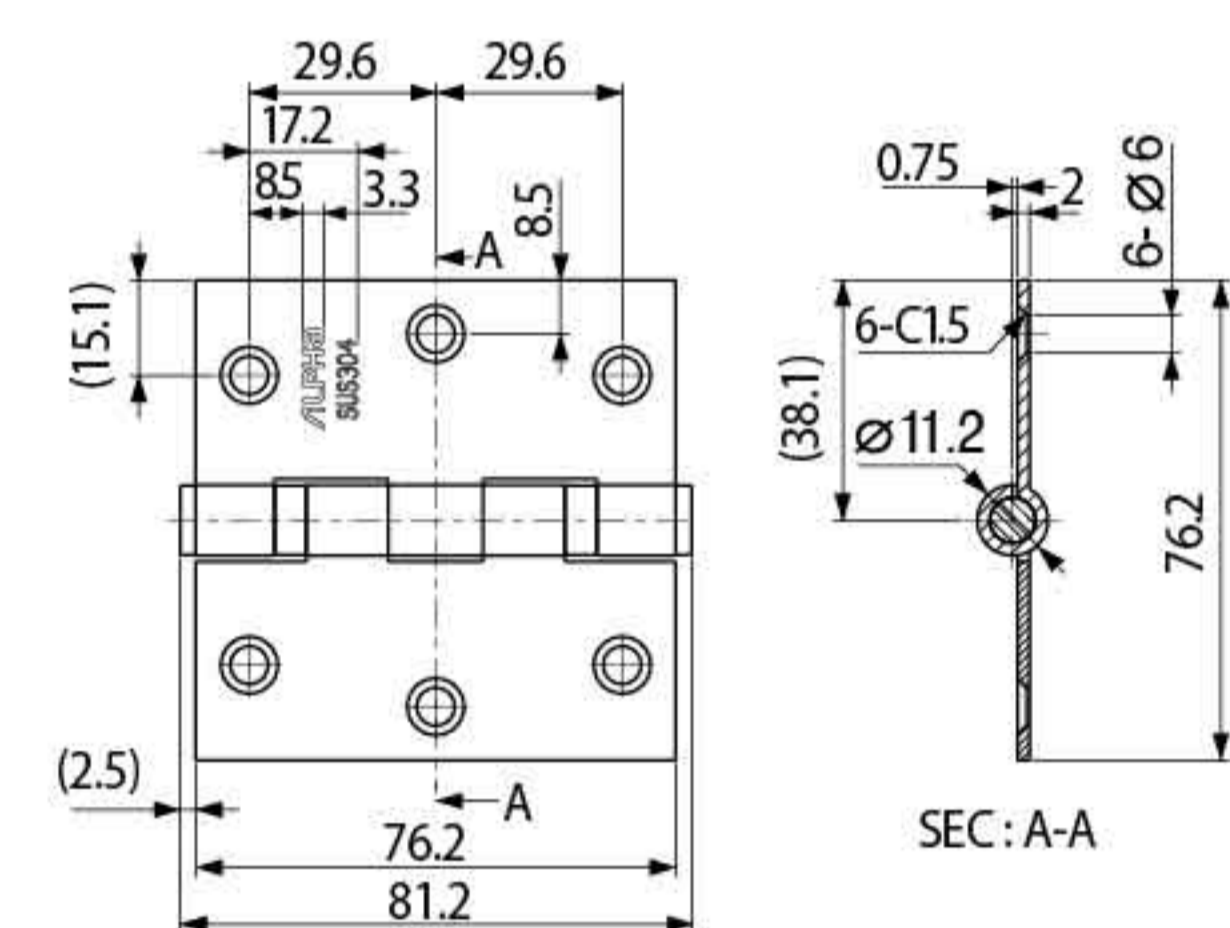


Specification

- SUS304 body 4'x3'x3mm
- SUS304 pin
- SUS304 screw
- Loose pin (removable pin)
- 2 ball bearing

Product Name

- HINGE 4X3X3 2BB SS
- HINGE 4X3X3 2BB PB
- HINGE 4X3X3 2BB AB
- HINGE 4X3X3 2BB BLK
- HINGE 4X3X3 2BB ORB
- HINGE 4X3X3 2BB PS
- HINGE 4X3X3 2BB AC
- HINGE 4X3X3 2BB SB



Specification

- SUS304 body 3'x3'x2mm
- SUS304 pin
- SUS304 screw
- Loose pin (removable pin)
- 2 ball bearing

Product Name

- HINGE 3X3X2 2BB SS
- HINGE 3X3X2 2BB PB
- HINGE 3X3X2 2BB AB
- HINGE 3X3X2 2BB BLK
- HINGE 3X3X2 2BB ORB
- HINGE 3X3X2 2BB PS
- HINGE 3X3X2 2BB AC
- HINGE 3X3X2 2BB SB

Finish



SS

PB

AB

BLK

ORB

PS

AC

SB

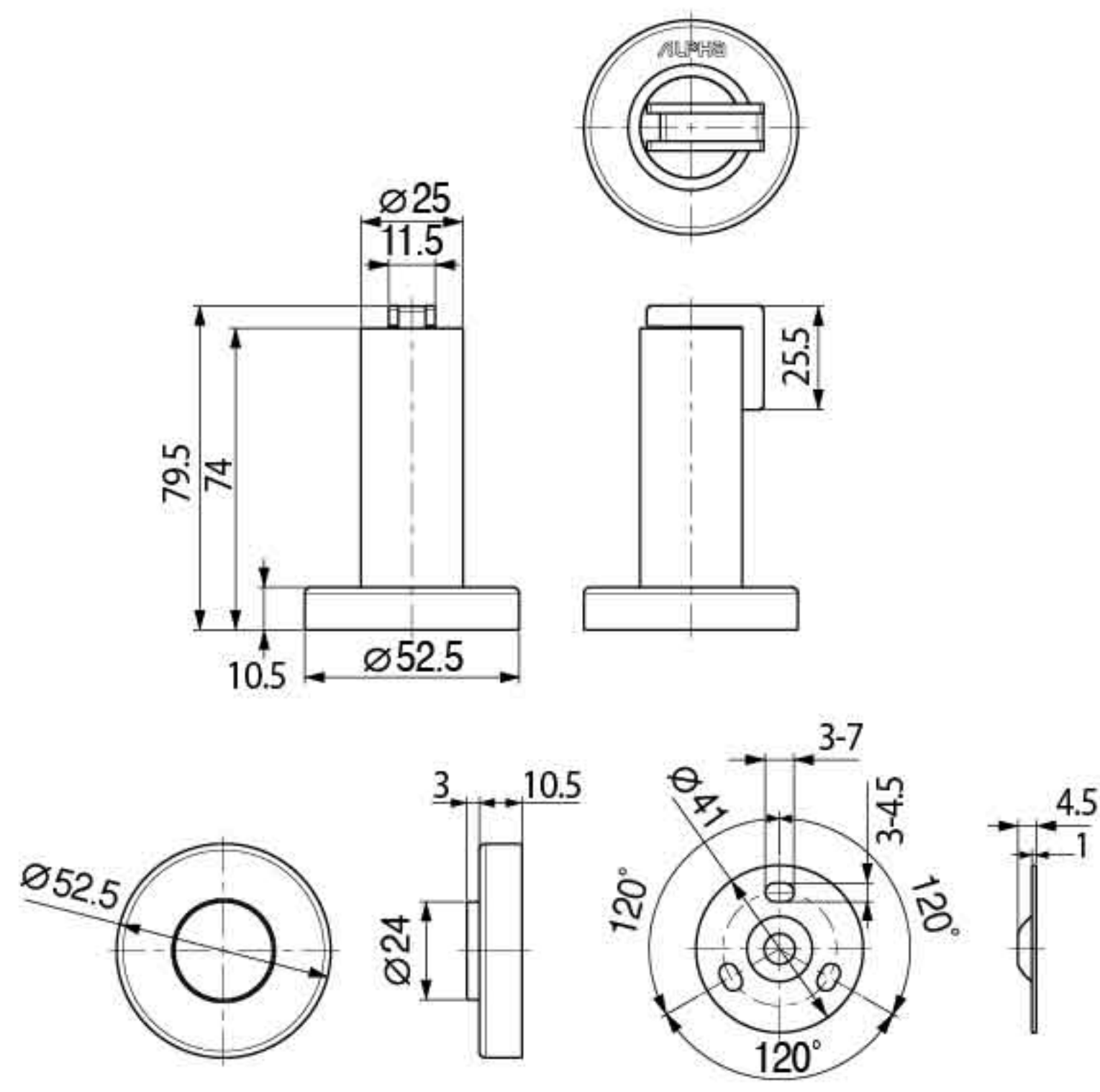
DOOR STOPPER



DS090



DS107

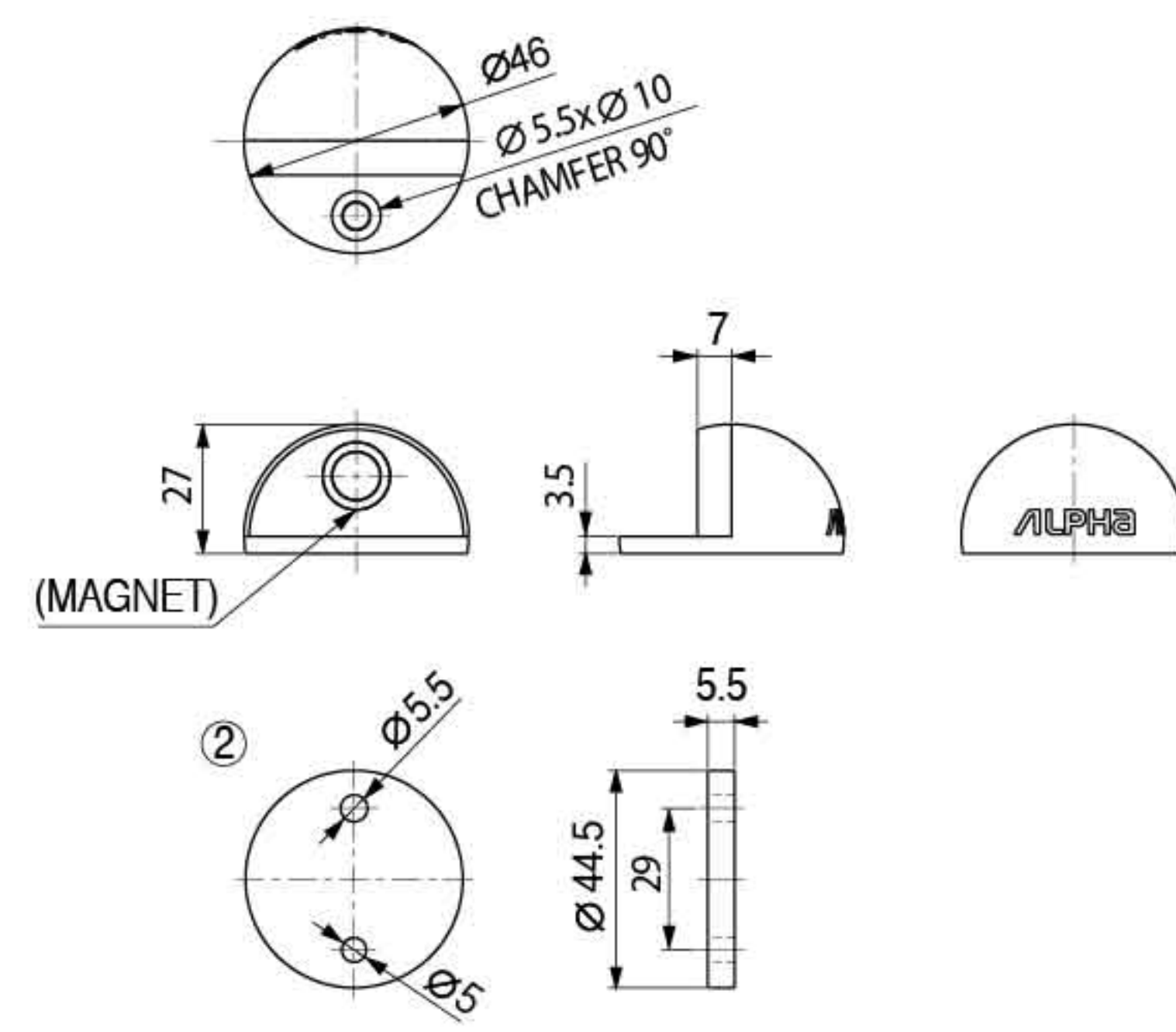


Specification

- SUS304

Product Name

- DS090-SS
- DS090-PB
- DS090-AB
- DS090-BLK
- DS090-ORB
- DS090-PS
- DS090-AC
- DS090-SB



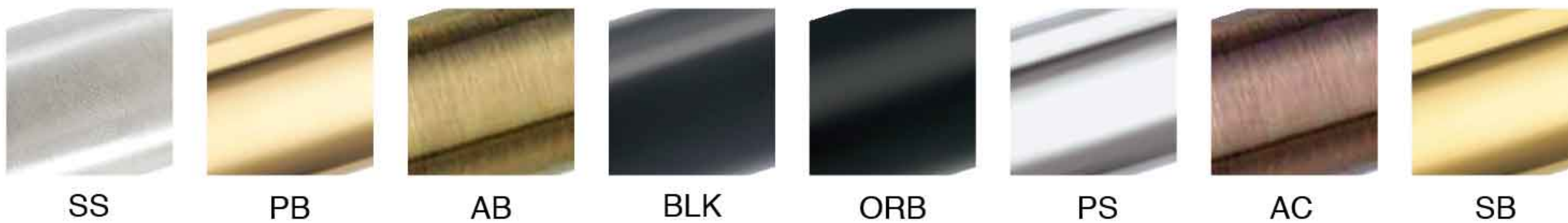
Specification

- SUS304

Product Name

- DS107-SS
- DS107-PB
- DS107-AB
- DS107-BLK
- DS107-ORB
- DS107-PS
- DS107-AC
- DS107-SB

Finish



FINISH INDEX



ANTIQUE BRASS
AB



ANTIQUE COPPER
AC



STANNUM COBALT
NICKEL
BLK



BRUSH SATIN
NICKEL
BSN



OIL RUBBED BLACKEN
ORB



POLISHED BRASS
PB



POLISHED STAINLESS
PS



SATIN BRASS
SB



SATIN STAINLESS
SS



ALPHA Corporation

HEAD OFFICE

1-6-8 FUKUURA, KANAZAWA-KU YOKOHAMA CITY, KANAGAWA 236-0004, JAPAN

TEL : +81-45-787-8430

<http://www.kk-alpha.com>

ALPHA HOUSING HARWARE (THAILAND) CO., LTD.

111 MOO 10 SOI WAT BANCHANG ROJANA ROAD, LAMTASAO, WANGNOI AYUTTHAYA, 13170 THAILAND

TEL : +66-35-275-121

<http://en.alphalock-th.com>