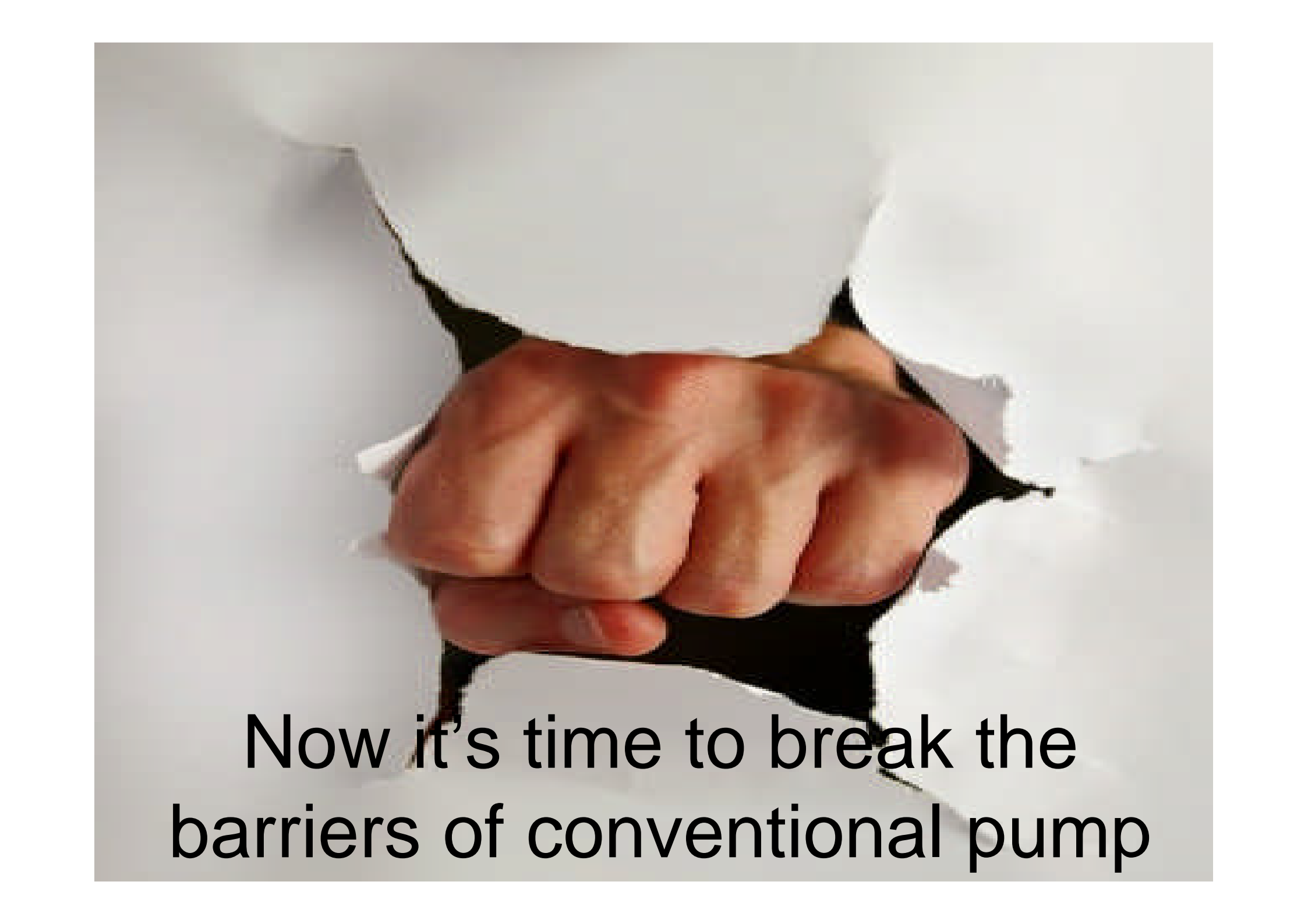




Welcome



Presented by: Yin

A close-up photograph of a hand breaking through a white, paper-like barrier. The hand is positioned in the center, with fingers curled and thumb extended, pushing through a jagged hole. The background behind the hand is dark, creating a strong contrast with the white barrier and the skin. The overall image conveys a sense of breaking through obstacles or barriers.

Now it's time to break the
barriers of conventional pump

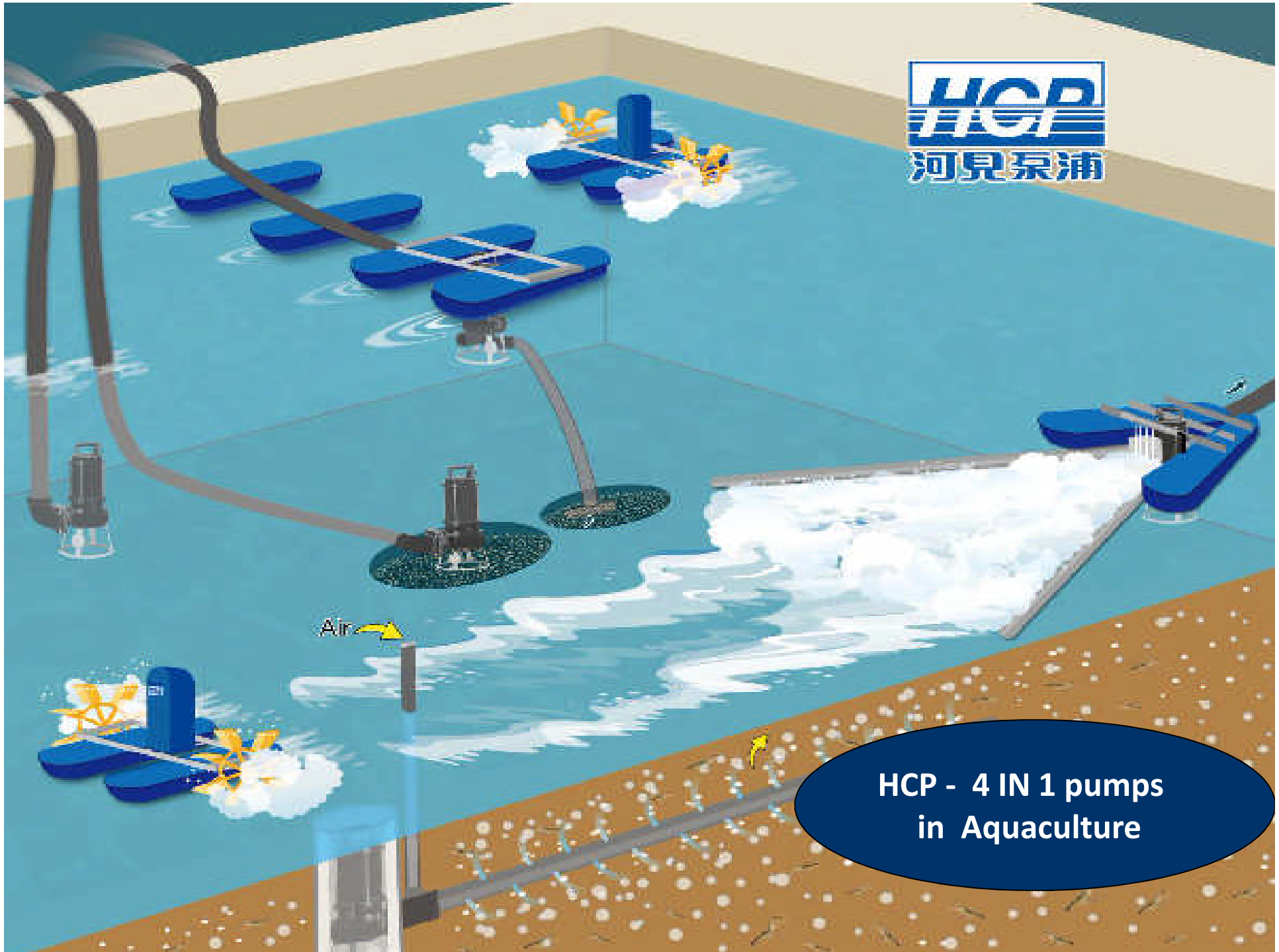
HCP - 4 IN 1 pumps in Aquaculture

FN-35/33/32-A1



Air

HCP - 4 IN 1 pumps
in Aquaculture



FN-A1



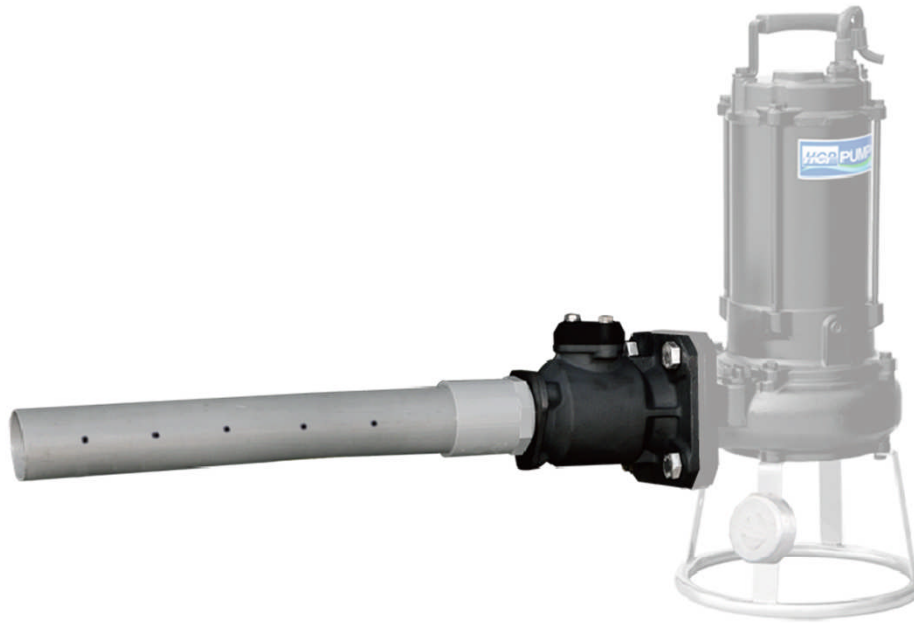
**HCP - 4 IN 1 pumps
in Aquaculture**

Dewatering Pump



**HCP - 4 IN 1 pumps
in Aquaculture**

Jet-Pump



**HCP - 4 IN 1 pumps
in Aquaculture**





Sludge Pump



**HCP - 4 IN 1 pumps
in Aquaculture**



Skimmer Pump



HCP - 4 IN 1 pumps
in Aquaculture





FN-A1 FEATURES



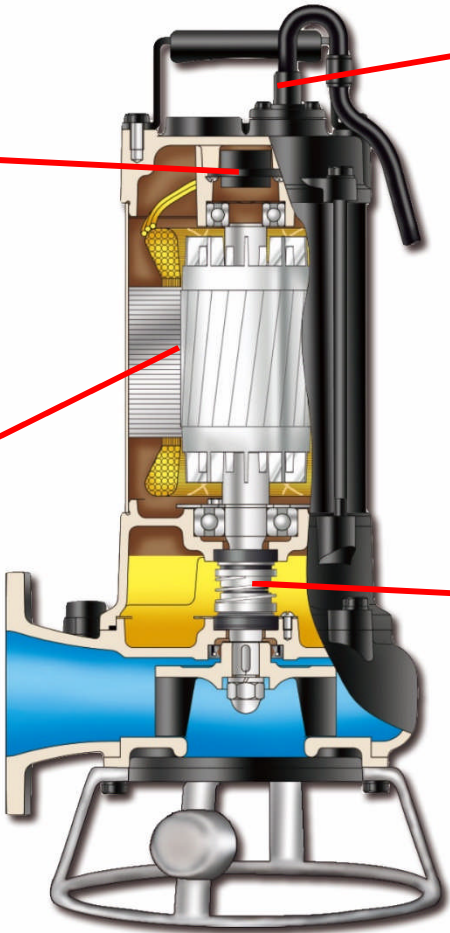
AUTOCUT

Automatic On/Off motor protector to prevent motor burn out due to high temperature and excess amperage draw.



High Efficiency Dry Motors

All stator coils need to be treated with insulating varnish procedure to achieving the best insulation, efficiency and durability.



Epoxy Cable Base

An epoxy resin seal cable base prevents moisture from entering the motor through the core wires.



Double Mechanical Seals

Superior abrasion resistant mechanical seal manufactured with silicon carbide to ensure the best seal effect.

FN PUMP FEATURES

- HIGH SOLIDS EPOXY COATING 100µm



- ANODE PROTECTION

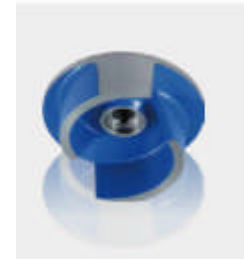


- pumps Inlet



- SS Footing

- P TYPE IMPELLER :Double Vane



Excellent to use with waste materials to prevent from clogging.

- FOOD GRADE WHITE MINERAL OIL



Food Grade Lubricant ISO VG32

FN-A1

4 吸浮渣



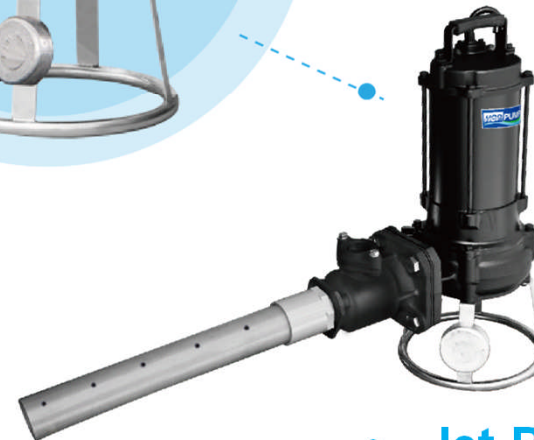
- Skimmer Pump
Foam Remover

1 排水



- Dewatering Pump

2 曝氣



- Jet-Pump
Oxygen provider

3 吸污泥



- Sludge Pump
Remove sludge from pond bottom



Thank You For Your Attendance

<http://www.hcppump.com.tw>