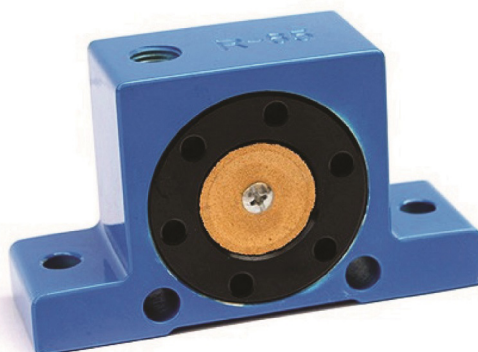


◆ Product Parameter



Maximum operating temperature:

140°C=280°F

Noise level range:

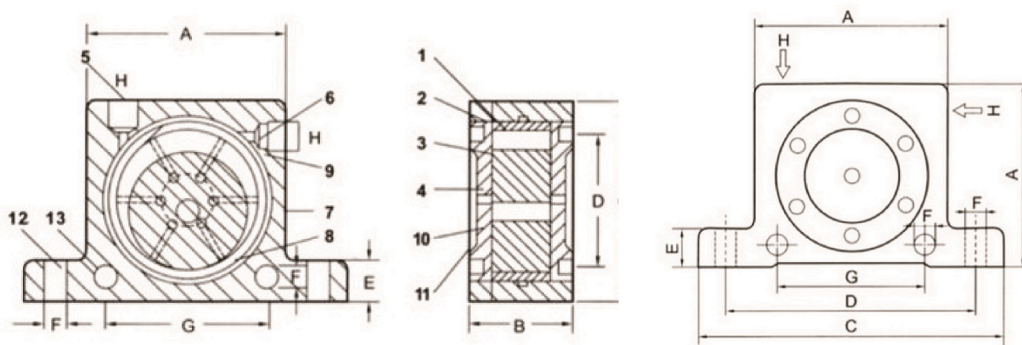
75—100dBA

Description:

The R series design is simple but can produce very high vibration force. Housing is formed by extruded aluminum parts, the internal equipped precision steel rollers and supported by two high-impact resistant plastic floor. For the sake of ease of installation, the shell has four mounting holes, that two horizontal and two vertical mounting holes. Air can flow through two holes on the shell. The air inlet has standard pipe thread and closed pipe. Air from the muffler to the installation of impact-resistant plastic plate discharge.

Usage:

R-series high-frequency pneumatic roller vibrator applied to the vibration of powder flow, filling and handling. As the pressure transmission, the vibration frequency can be controlled by regulating air pressure. Main purposes for example: the discharge hopper; powder mixing; powder substances delivery; mold plastic and concrete compaction.



◆ Product Parameter

Parameter:

Model	Frequency V.P.M /min			Centrifugal Force			Air Consumption/min		
	0.2MPa	0.4MPa	0.6MPa	0.2MPa	0.4MPa	0.6MPa	0.2MPa	0.4MPa	0.6MPa
				N	N	N	Ltr	Ltr	Ltr
R-50	25.100	35.100	36.100	1.170	2.950	4.250	1.50	1.48	1.98
R-65	19.100	21.100	26.100	2.750	4.850	6.150	2.10	3.05	4.10
R-80	15.600	18.600	19.100	3.100	6.120	7.400	4.50	4.35	5.75
R-100	11.100	14.100	16.100	3.760	6.700	8.950	5.60	5.55	7.35
R-120	10.100	11.600	12.600	8.100	10.100	12.510	7.35	7.35	9.75

The data is measured from Kistler 3-axis dynamometer in heavy experiment table.

When install poor rigidity, frequency and force value decreases.

The company reserves the right to modify or withdraw any indicator and product without any notices, and therefore does not assume any responsibility.

Size Table:

Model	A	Width	C	D	E	F	G	H	Weight	
	mm	mm	mm	mm	mm	mm	mm	Thread BSP	kg	Lbs
R-50	50	29	86	68	12	7	40	G1/8"	0.245	0.55
R-65	62	37	113	90	16	9	50	G1/4"	0.540	1.25
R-80	80	43	128	104	16	9	60	G1/4"	0.955	2.20
R-100	100	52	160	130	20	11	80	G3/8"	1.815	4.10
R-120	120	77	194	152	24	17		G3/8"	4.265	9.45

Warning: Pneumatic vibrators can damage to device, if excessive vibration force, adjust to proper pressure.