

◆ Product Parameter

Maximum temperature:

100°C = 220°F

Noise level range:

75—95dBA

Performance:

Housing is composed of anti-rust aluminum, built-in hardened steel raceway, steel ball can roll on it.

Equipped with nylon end caps at both ends of the shell, used to locate the ball and prevent the entry of dust and water, so the machine can work in dusty and humid environment. Inlet and outlet are equipped standard thread, so that the exhaust pipe can be led to ensure exhaust no barrier. In order to meet different installation location, the unit has four mounting holes: two horizontal and two vertical.

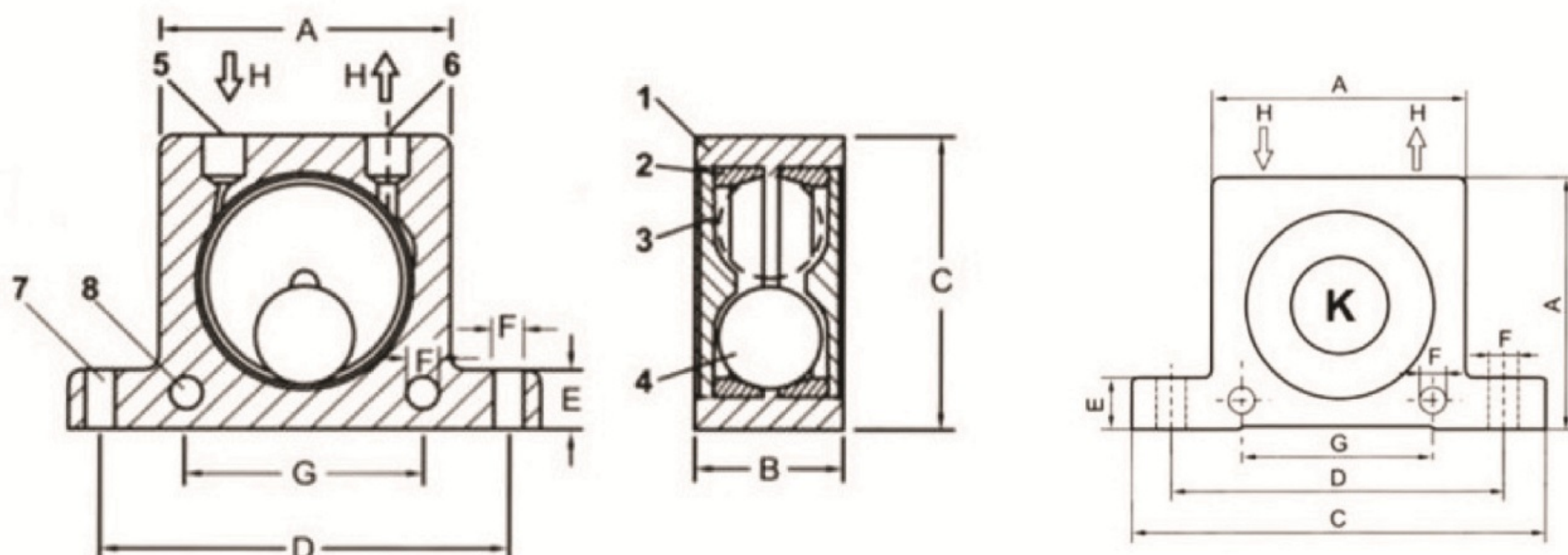
Description:

The K series has a rust-proof extruded aluminum housing, interior equipped steel ball running on the heat-treated rails. Either side has nylon base to support steel ball avoiding the invasion of dust and moisture. Therefore, this product is suitable for work in dusty or wet environment. In the inlet and exhaust ports, there are standard pipe thread to ensure smooth exhausting. Equipped with two horizontal and two vertical mounting holes for easy installation in any difficult location.

Usage:

K-series pneumatic ball vibrator is small size, its vibration frequency can be controlled by adjusting the air flow, the main uses as following:

- Help transport material from the chute and hopper
- Prevent bottles or similar products jammed or blocked in the conveyor
- Material is compacted in container or mold
- Separate different particle size in separator, screen or filter



◆ Product Parameter

Parameter:

Model	Frequency V.P.M /min			Centrifugal Force			Air Consumption/min		
	0.2	0.4	0.6	0.2MPa	0.4MPa	0.6MPa	0.2MPa	0.4MPa	0.6MPa
	MPa	MPa	MPa	N	N	N	Ltr	Ltr	Ltr
K-08	25.510	31.100	35.100	132	249	355	0.85	1.50	1.90
K-10	22.510	28.100	34.100	245	468	715	0.95	1.55	2.10
K-13	15.100	18.510	22.510	320	560	875	0.95	1.60	2.30
K-16	13.100	17.100	19.510	455	810	1.110	1.25	2.10	2.85
K-20	10.510	14.510	16.510	715	1.200	1.750	1.35	2.35	3.35
K-25	9.210	12.210	14.100	925	1.580	2.100	1.65	2.95	4.20
K-30	7.810	9.710	12.510	1.520	2.480	3.250	2.20	3.80	5.75
K-36	7.310	9.100	10.100	2.050	3.135	4.100	2.65	4.80	67.8

The data is measured from Kistler 3-axis dynamometer in heavy experiment table.

When install poor rigidity, frequency and force value decreases.

The company reserves the right to modify or withdraw any indicator and product without any notices, and therefore does not assume any responsibility.

Size Table:

Model	A	Width	C	D	E	F	G	H	Weight
	mm	mm	mm	mm	mm	mm	mm	Thread BSP	kg
K-08	50	20	86	68	12	7	40	G1/4"	0.135
K-10		20							0.135
K-13	65	24	113	90	16	9	50	G1/4"	0.265
K-16		27							0.305
K-20	80	33	128	104	16	9	60	G1/4"	0.540
K-25		38							0.640
K-30	100	44	160	130	20	11	80	G3/8"	1.140
K-36		50							1.350

Warning: Pneumatic vibrators can damage to device, if excessive vibration force, adjust to proper pressure.