

◆ Product Parameter

No lubrication, only clean air.

Maximum operating temperature: :

120°C=250°F

Noise level range(very quiet) :

60—75dBA



Description:

This series combines high-speed processing and eccentric torque to make a strong vibration force. Housing by - extruded aluminum with hardened paint base which can be used in the pharmaceutical industry. GT-turbine vibrator is in line with current international noise regulations.

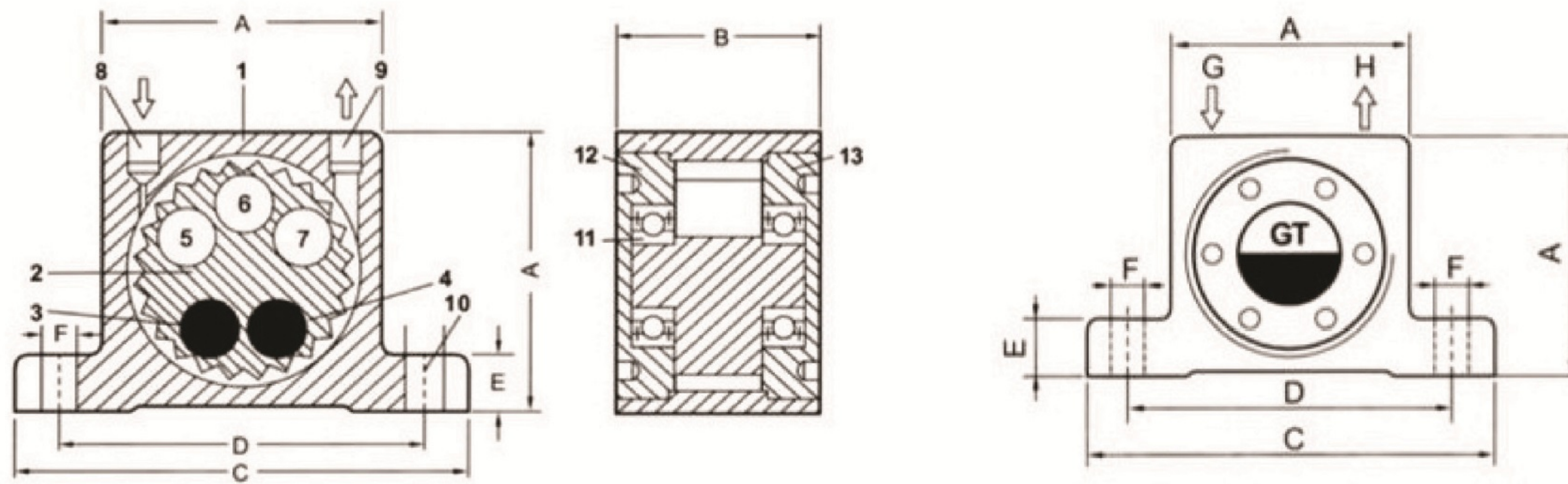
Design:

Rotor by the centrifugal force and negative unbalanced moment to vibrate. The rotor is supported by two high-power, pre-lubricated bearings. Particularly long service life of grease is taken to ensure that the two long service life. Using the bearing inner seat and outer seat design, simply use wrench to replace the bearing, bottom is fixed by left and right thread system, automatically locked.

Parameter:

Model	Frequency V.P.M /min			Centrifugal Force			Air Consumption/min		
	0.2 MPa	0.4 MPa	0.6 MPa	0.2MPa N	0.4MPa N	0.6MPa N	0.2MPa Ltr	0.4MPa Ltr	0.6MPa Ltr
GT-04	14.100	15.100	16.100	135	160	200	0.30	0.40	0.50
GT-06	11.500	12.500	13.500	130	165	210			
GT-08	35.850	43.000	45.900	980	2.100	2.950	0.48	0.75	1.52
GT-10	26.950	34.800	37.600	850	1.400	2.450			
GT-13	25.950	30.050	39.800	1.450	2.450	3.700	1.25	2.10	2.80
GT-16	16.950	21.800	24.100	1.250	2.100	3.150			
GT-20	16.950	19.800	23.100	2.180	4.050	5.500	1.88	3.15	4.65
GT-25	11.980	15.600	17.100	2.150	3.550	5.600			
GT-30	12.990	14.010	16.100	3.400	5.450	7.550	3.35	5.20	7.55
GT-36	7.990	10.100	13.000	3.300	5.380	7.180			
GT-40	7.650	8.850	9.550	4.350	7.350	9.850	4.28	6.80	9.60

◆ Product Parameter



Size Table:

Model	A	Width	C	D	E	F	G	H	Weight		
	mm	mm							mm	mm	mm
										0.185	0.45
GT-04	40	28	70	56	10	6	G1/8"	G1/8"		0.185	0.50
GT-06										0.210	0.51
										0.255	0.56
GT-08	50	33	86	68	12	7	G1/8"	G1/8"		0.256	0.66
GT-10										0.265	0.68
										0.566	1.34
GT-13	65	42	113	90	16	9	G1/4"	G1/4"		0.582	1.38
GT-16										0.615	1.45
										1.095	2.50
GT-20	80	56	128	104	16	9	G1/4"	G1/4"		1.121	2.56
GT-25										1.205	2.74
										2.220	4.75
GT-30	100	73	160	130	20	11	G3/8"	G3/8"		2.320	5.20
GT-36										2.540	5.47
										3.680	8.13
GT-40	120	83	194	152	24	17	G3/8"	G3/8"		3.880	8.67
GT-48										4.280	9.55

Warning: Pneumatic vibrators can damage to device, if excessive vibration force, adjust to proper pressure.